



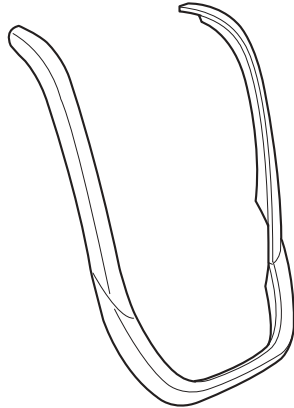
INSTALLATION INSTRUCTIONS

Accessory INTERIOR TRIM KIT	Application 2003 ELEMENT	Publications No. All 24294
		Issue Date DEC 2002

PARTS LIST

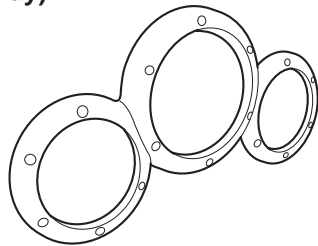
Center Panel Trim Kit (sold separately)
P/N 08Z03-SCV-100A (Blue)
P/N 08Z03-SCV-100C (Gray)

Center trim

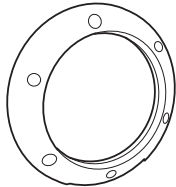


Meter Panel Trim Kit (sold separately)
P/N 08Z03-SCV-100B (Blue)
P/N 08Z03-SCV-100D (Gray)

Meter trim

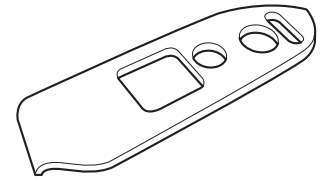


Air outlet trim

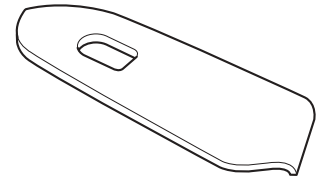


Center Panel Trim Kit (sold separately)
P/N 08Z03-SCV-100E (Blue)
P/N 08Z03-SCV-100F (Gray)

Driver's door switch trim
(EX model only)



Passenger's door switch trim
(EX model only)



SUPPLIES REQUIRED

- Isopropyl alcohol
- Shop towel
- Masking tape

INSTALLATION

NOTE:

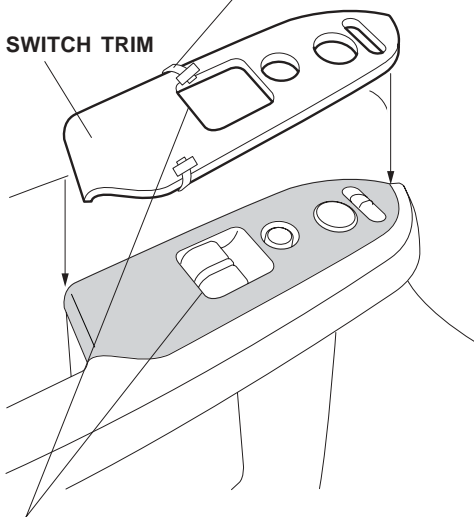
- Be careful not to damage the body paint finish.
- This interior trim kit should be installed only if the outside air temperature is 60°F (15°C) or above.

- Using isopropyl alcohol on a shop towel, thoroughly clean the areas where the interior trims will attach.
- Attach a strip of masking tape to the end of each outer adhesive backing, and remove about 2 to 3 cm (1/2 to 1 in.) of the adhesive backing. Fold the ends back, and tape them to the front of the trims. Remove and discard the inner adhesive backings.
- Position the interior trims on the existing panels. While applying light pressure to the inner panels, carefully remove the adhesive backings from the interior trims.
 - Before installing the switch trim, check that the hole in the panel is aligned with the switch hole properly.
 - Install the outlet trim so that the line drawn across the top and bottom recesses is vertical with the chipped end facing down.
- After installing the trims use the palm of your hand to hold pressure against them for 30 seconds.

Left Switch Trim: (EX model only)

OUTER ADHESIVE BACKING
Remove 2 to 3 cm (1/2 to 1 in.) from the end, and tape it to the front of the trim.

LEFT SWITCH TRIM

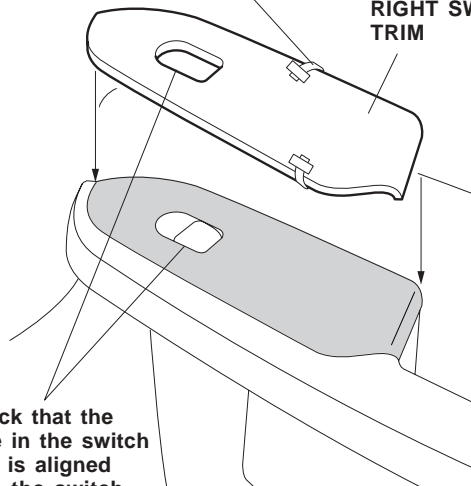


Check that the hole in the switch trim is aligned with the switch hole.

Right Switch Trim: (EX model only)

OUTER ADHESIVE BACKING
Remove 2 to 3 cm (1/2 to 1 in.) from the end, and tape it to the front of the trim.

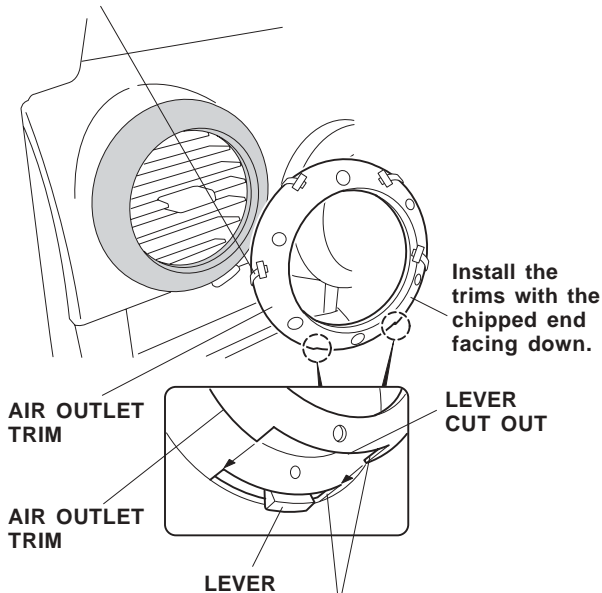
RIGHT SWITCH TRIM



Check that the hole in the switch trim is aligned with the switch hole.

Right and Left Air Outlet Trims:

OUTER ADHESIVE BACKING
Remove 2 to 3 cm (1/2 to 1 in.) from the end, and tape it to the front of the trim.



Install the trims with the chipped end facing down.

AIR OUTLET TRIM

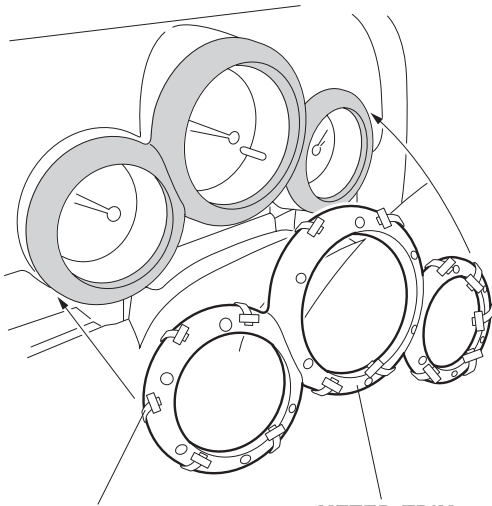
LEVER CUT OUT

AIR OUTLET TRIM

LEVER

Install the trims so that the cutout on the bottom matches the lever.

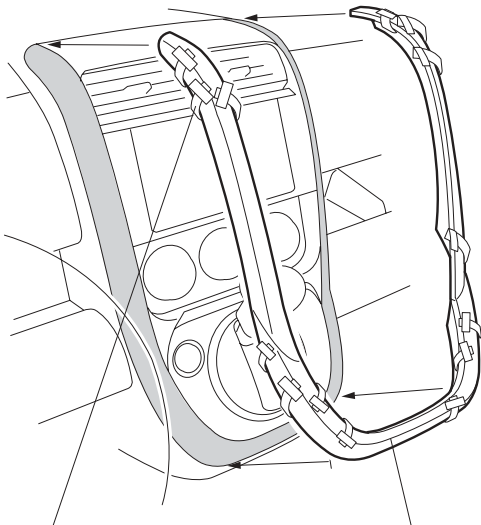
Center Trim:



OUTER ADHESIVE BACKING
Remove 2 to 3 cm (1/2 to 1 in.)
from the end, and tape it to
the front of the trim.

METER TRIM

Meter Trim:



OUTER ADHESIVE BACKING
Remove 2 to 3 cm (1/2 to 1 in.)
from the end, and tape it to the
front of the trim.

CENTER TRIM

USE AND CARE

Use a sponge or soft cloth dampened with mild detergent and water solution. After cleaning, wipe with a clean, soft cloth. Do not use cleaners or polishers containing compounds to clean the interior trims as they may damage the surface.