



INSTALLATION INSTRUCTIONS

Accessory

**AUDIO SPEAKERS
(FRONT AND/OR REAR)
P/N 08A55-SCV-100**

Application

2003 ELEMENT (DX)

Publications No.

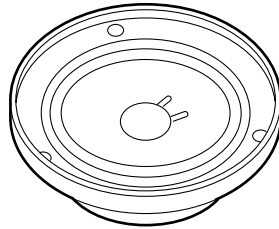
All 24312

Issue Date

DEC 2002

PARTS LIST

2 Speakers (16 cm)



6 Washer-screws, 4 x 16 mm



TOOLS AND SUPPLIES REQUIRED

Phillips screwdriver

Flat-tip screwdriver

Shop towel

10 mm combination wrench

Diagonal cutters

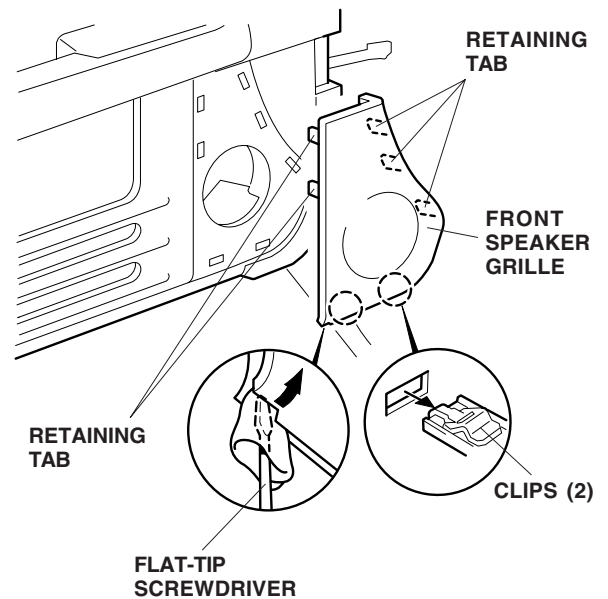
INSTALLATION

Customer Information: The information in this installation instruction is intended for use only by skilled technicians who have the proper tools, equipment, and training to correctly and safely add equipment to your vehicle. These procedures should not be attempted by "do-it-yourselfers."

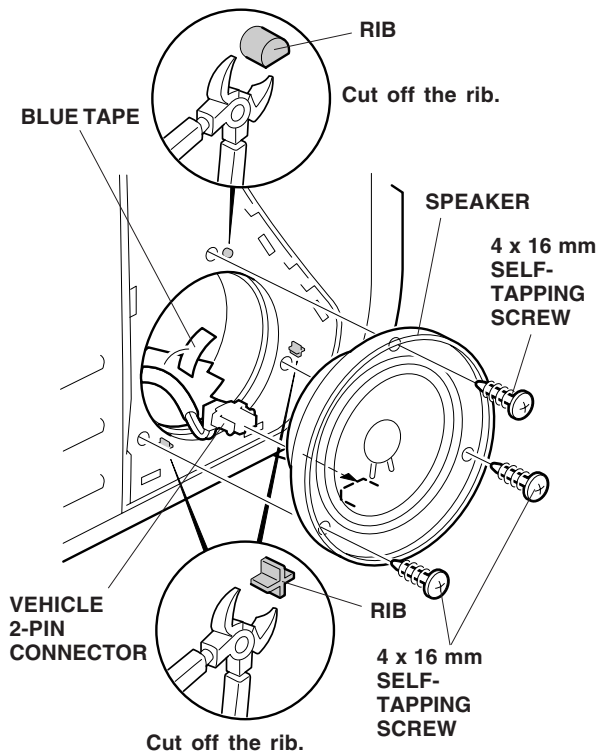
NOTE: These instructions are for the left speaker being installed. The same procedure applies to the right speaker.

Installing the Front Speakers

1. Insert a flat-tip screwdriver wrapped in a shop towel at the rear lower corner of the front speaker grille and pry it out to release the two clips and the five retaining tabs. Take care not to damage the clips and speaker grille.



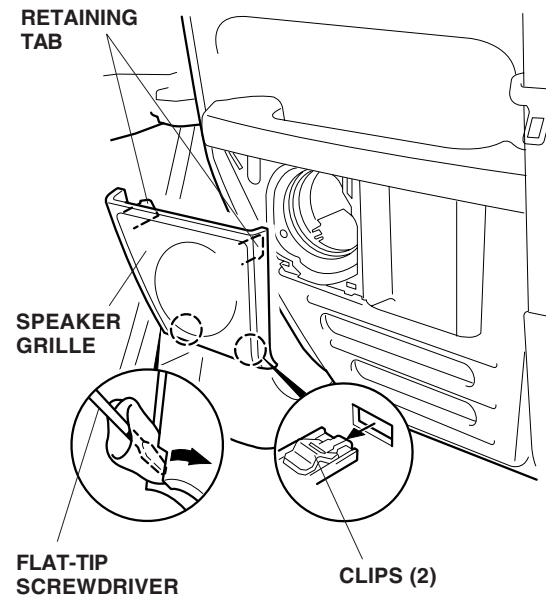
- Using diagonal cutters, cut off the three ribs shown.



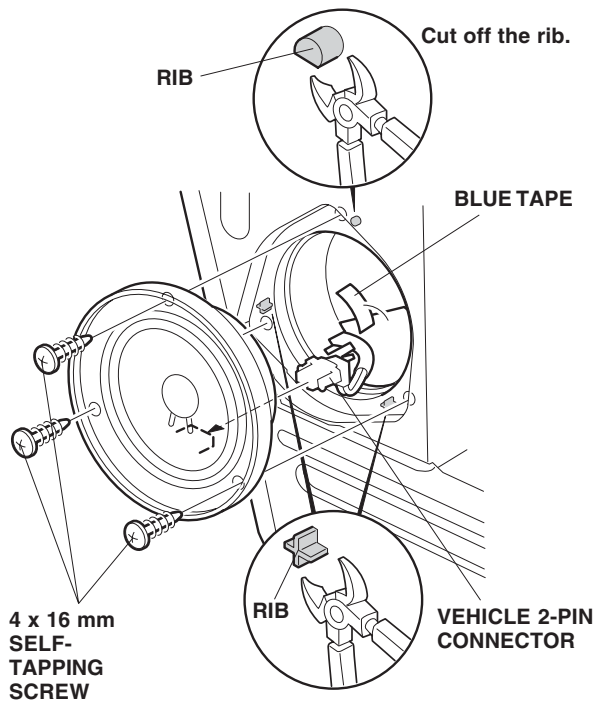
- Locate the 2-pin connector blue-taped to the vehicle harness and remove the blue tape to free the 2-pin connector. Pull the 2-pin connector out through the speaker opening.
- Connect the vehicle 2-pin connector to the speaker.
- Position the speaker on the door panel and install the three 4 x 16 mm self-tapping screws.
- Repeat steps 1 through 5 to install the right speaker.

Installing the Rear Speakers

- Insert a flat-tip screwdriver wrapped in a shop towel at the rear lower corner of the speaker grille, and pry it out to release the two clips and the two retaining tabs. Take care not to damage the clips and speaker grille.



- Using diagonal cutters, cut off the three ribs shown.



- Locate the 2-pin connector blue-taped to the vehicle harness and remove the blue tape to free the 2-pin connector. Pull the 2-pin connector out through the speaker opening.
- Connect the vehicle 2-pin connector to the speaker.
- Position the speaker on the door panel, and install the three 4 x 16 mm self-tapping screws.
- Repeat steps 7 through 11 to install the right speaker.

- Check the operation of the speakers.

- Reinstall the speaker covers. Be sure that all retaining clips and tabs are fastened securely.