

HONDA INSTALLATION INSTRUCTIONS

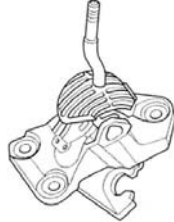
Accessory
MUGEN QUICK SHIFTER
P/N 54000-XTK-000

Application
2009 FIT MUGEN

Publications No.
All 41061
Issue Date
APRIL 2009

PART LIST

Mugen quick shifter



Shift cable clip

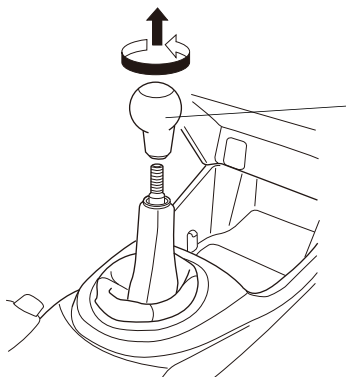


TOOL REQUIRED

Phillips screwdriver
Flat-tip screwdriver
Clip remover
Torque wrench
8 mm and 12 mm Sockets
Ratchet

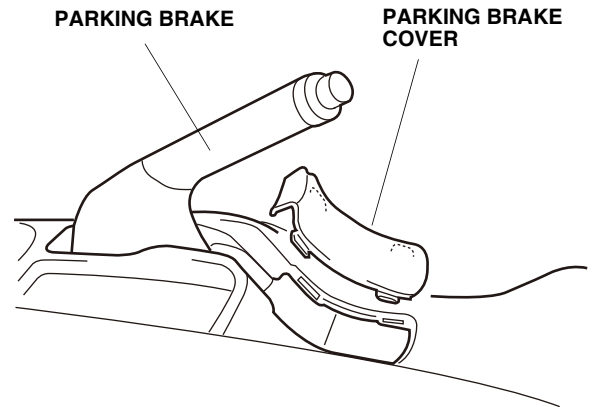
INSTALLATION

1. With the parking brake applied, remove the shift knob by rotating it counterclockwise.

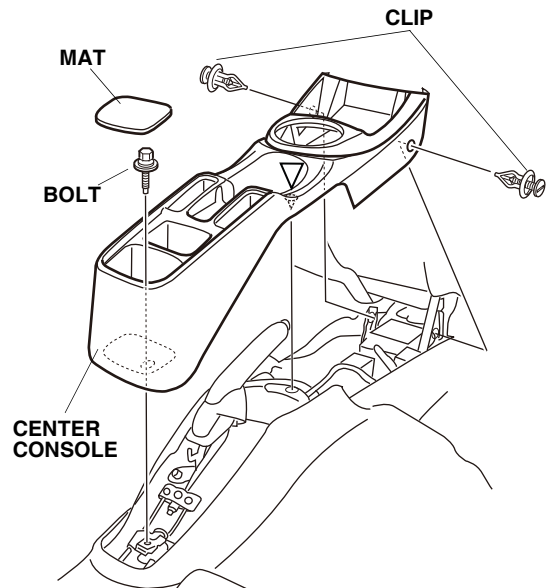


SHIFT KNOB
(Turn counter-clockwise to remove.)

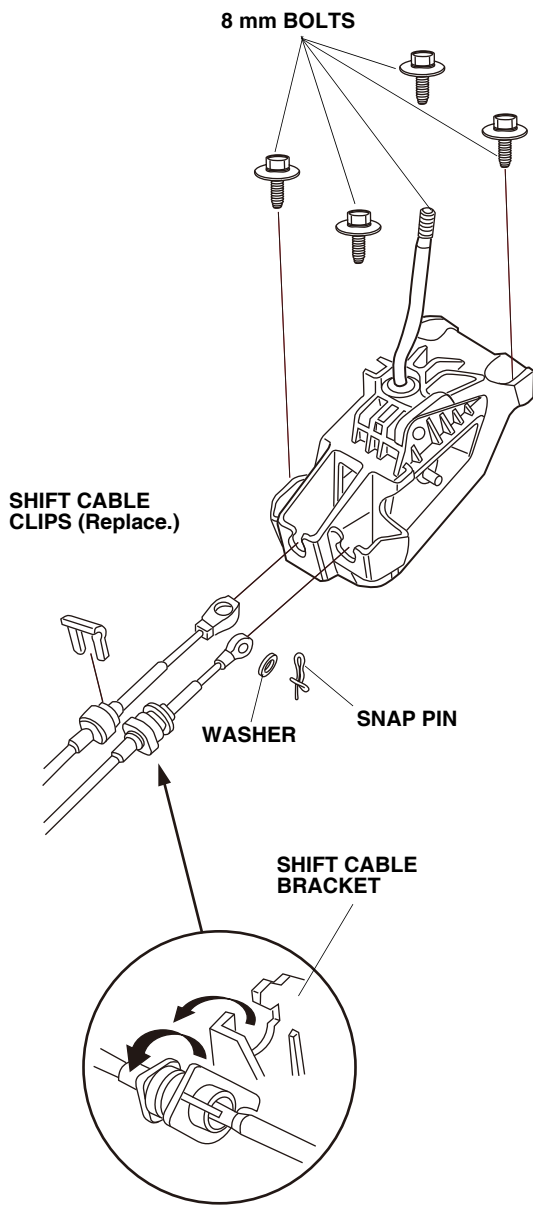
2. Remove the parking brake cover.



3. Remove the center console (remove the mat, two clips and one bolt).



4. Remove the shift cable clip and snap pin. Discard the cable clip. Disconnect the shift cables.



5. Remove the shift cable from the shift cable bracket.
6. Remove the four 8 mm bolts, and remove the shift lever.
7. Install the MUGEN shift lever using the four 8 mm bolts. Torque the 8 mm bolts to 8 N·m.
8. Reinstall the shift cables using a new shift cable clip, and reattach the washer and snap pin.
9. Reinstall all removed parts.