

2004 NSX Online Reference Owner's Manual

Use these links (and links throughout this manual) to navigate through this reference.
For a printed owner's manual, click on authorized manuals or go to www.helminc.com.

Contents

Owner's Identification Form

Introduction	i
A Few Words About Safety	ii
Your Vehicle at a Glance	2
Driver and Passenger Safety	5
Proper use and care of your vehicle's seat belts, and Supplemental Restraint System.	
Instruments and Controls	39
Instrument panel indicator and gauge, and how to use dashboard and steering column controls.	
Comfort and Convenience Features	77
How to operate the climate control system, the audio system, and other convenience features.	
Before Driving	103
What gasoline to use, how to break-in your new vehicle, and how to load luggage and other cargo.	
Driving	117
The proper way to start the engine, shift the transmission, and park, plus towing a trailer.	
Maintenance	133
The Maintenance Schedule shows you when you need to take your vehicle to the dealer.	
Taking Care of the Unexpected	169
This section covers several problems motorists sometimes experience, and how to handle them.	
Technical Information	199
ID numbers, dimensions, capacities, and technical information.	
Warranty and Customer Relations (U.S. and Canada)	213
A summary of the warranties covering your new Honda, and how to contact us.	
Authorized Manuals (U.S. only)	217
How to order manuals and other technical literature.	
Index	I
Service Information Summary	
A summary of information you need when you pull up to the fuel pump.	

Owner's Identification

OWNER _____

ADDRESS _____
STREET

_____ CITY STATE/PROVINCE ZIP CODE/
POSTAL CODE

V. I. N. _____

DELIVERY DATE _____
(Date sold to original retail purchaser)

DEALER NAME _____ DEALER NO. _____

ADDRESS _____
STREET

_____ CITY STATE/PROVINCE ZIP CODE/
POSTAL CODE

OWNER'S SIGNATURE _____

DEALER'S SIGNATURE _____

This Owner's Manual should be considered a permanent part of the vehicle, and should remain with the vehicle when it is sold.

This Owner's Manual covers all models of the Acura NSX. You may find descriptions of equipment and features that are not on your particular model.

The information and specifications included in this publication were in effect at the time of approval for printing. Honda Motor Co., Ltd. reserves the right, however, to discontinue or change specifications or design at any time without notice and without incurring any obligation whatsoever.

Congratulations on your selection of the 2004 Acura NSX. We are certain you will be pleased with your purchase of one of the most sophisticated and technologically-advanced sports cars in the world.

One of the best ways to enhance the enjoyment of your new Acura is to read this manual. In it, you will learn how to operate its driving controls and convenience items. Afterwards, keep this owner's manual in your vehicle so you can refer to it at any time.

Several warranties protect your new Acura. Read the warranty booklet thoroughly so you understand the coverages and are aware of your rights and responsibilities.

Maintaining your vehicle according to the schedules given in this manual helps to keep your driving trouble-free while it preserves your investment. When your vehicle needs maintenance, keep in mind that your Acura dealer's staff is specially trained in servicing the many systems unique to your Acura. Your Acura dealer is dedicated to your satisfaction and will be pleased to answer any questions and concerns.

California Proposition 65 Warning

WARNING: This product contains or emits chemicals known to the State of California to cause cancer and birth defects or other reproductive harm.

As you read this manual, you will find information that is preceded by a **NOTICE** symbol. This information is intended to help you avoid damage to your Acura, other property, or the environment.


A Few Words About Safety

Your safety, and the safety of others, is very important. And operating this vehicle safely is an important responsibility.

To help you make informed decisions about safety, we have provided operating procedures and other information on labels and in this manual. This information alerts you to potential hazards that could hurt you or others.

Of course, it is not practical or possible to warn you about all the hazards associated with operating or maintaining your vehicle. You must use your own good judgement.

You will find this important safety information in a variety of forms, including:

- **Safety Labels** — on the vehicle.
- **Safety Messages** — preceded by a safety alert symbol  and one of three signal words: **DANGER**, **WARNING**, or **CAUTION**.

These signal words mean:



You **WILL** be **KILLED** or **SERIOUSLY HURT** if you don't follow instructions.



You **CAN** be **KILLED** or **SERIOUSLY HURT** if you don't follow instructions.

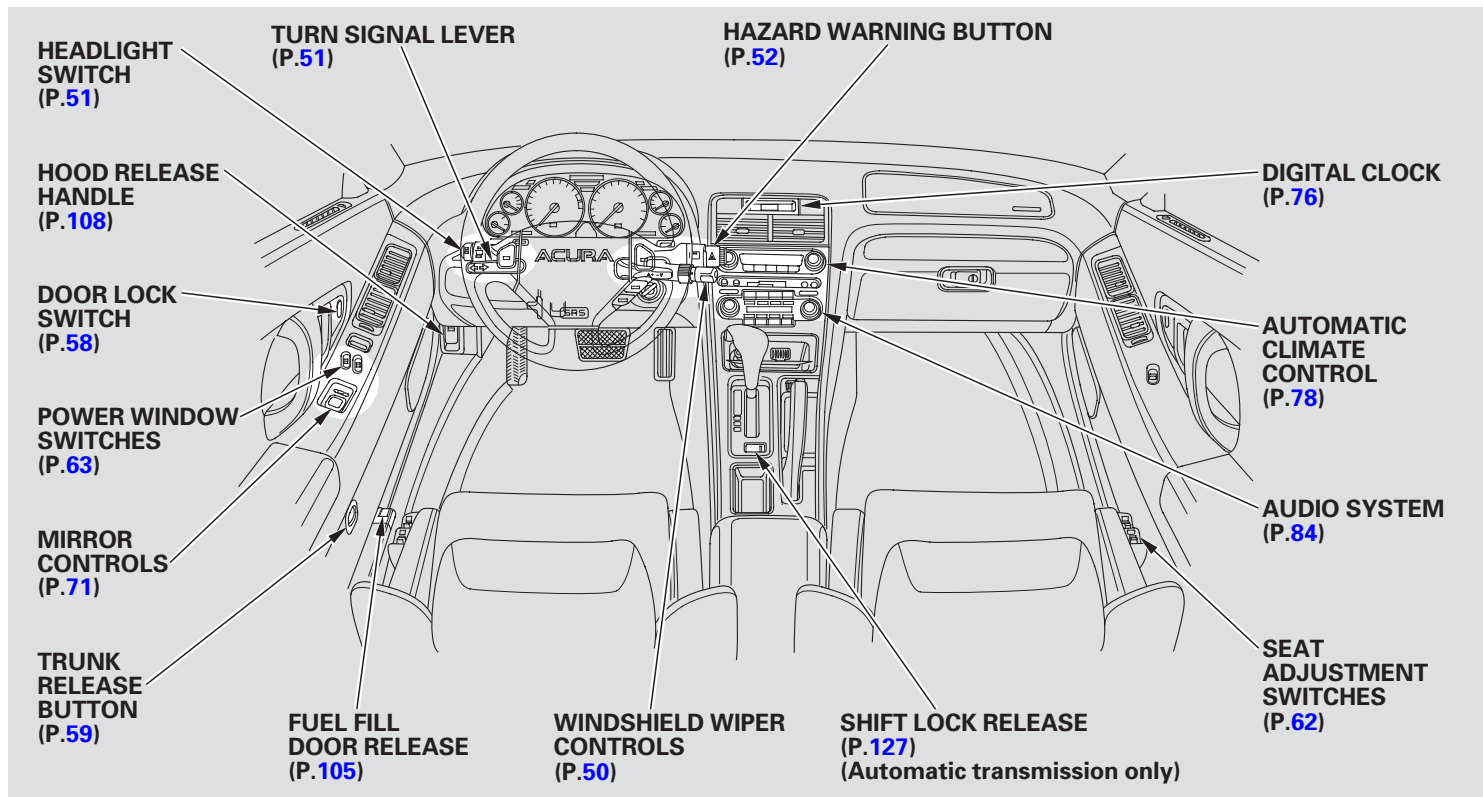


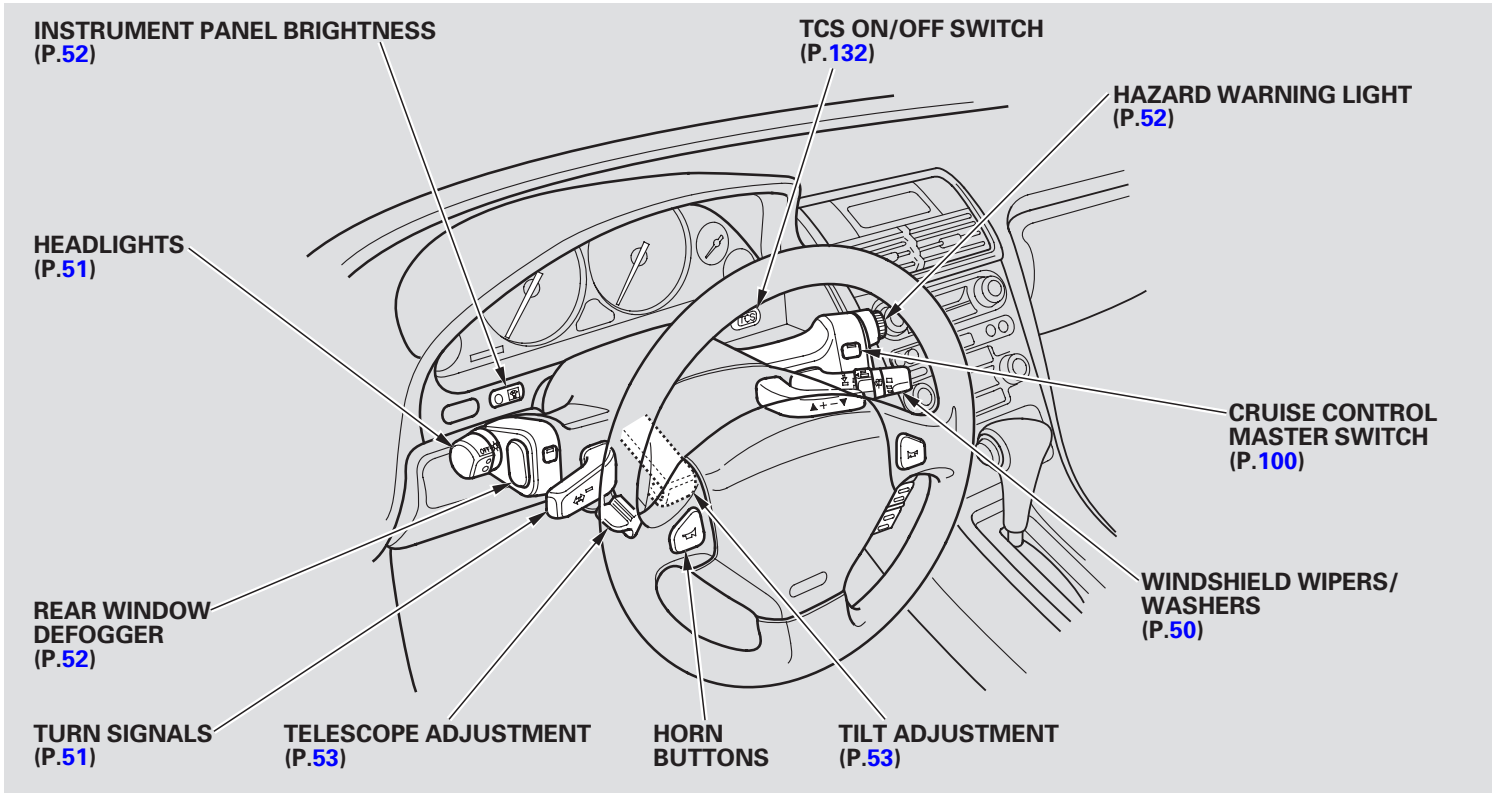
You **CAN** be **HURT** if you don't follow instructions.

- **Safety Headings** — such as Important Safety Reminders or Important Safety Precautions.
- **Safety Section** — such as Driver and Passenger Safety.
- **Instructions** — how to use this vehicle correctly and safely.

This entire book is filled with important safety information — please read it carefully.

Your Car at a Glance





This section gives you important information about how to protect yourself and your passenger. It shows you how to use seat belts properly. It explains how your airbags work. And it tells you how to properly restrain children in your vehicle.

Important Safety Precautions	6	How the SRS Indicator Works...	20
Your Vehicle's Safety Features.....	7	Airbag Service.....	21
Seat Belts	8	Additional Safety Precautions....	21
Airbags.....	9	Protecting Children – General	
Protecting Adults and Teens.....	10	Guidelines.....	22
1. Close and Lock the Doors.....	10	All Children Must Be	
2. Adjust the Seats.....	10	Restrained	22
3. Adjust the Seat-Backs	11	Your Vehicle is Not	
4. Fasten and Position the Seat		Recommended for Child	
Belts	12	Passengers	23
5. Adjust the Steering Wheel	13	The Passenger's Airbag can Pose	
6. Maintain a Proper Sitting		Serious Risks.....	23
Position	13	Additional Safety Precautions....	25
Advice for Pregnant Women.....	14	Protecting Small Children	26
Additional Safety Precautions....	15	Selecting a Child Seat.....	27
Additional Information About Your		Installing a Child Seat	27
Seat Belts.....	15	Using Child Seats with	
Seat Belt System Components... 15		Tethers.....	30
Lap/Shoulder Belt.....	16	Protecting Larger Children	31
Automatic Seat Belt		Carbon Monoxide Hazard	35
Tensioners.....	16	Safety Labels	36
Seat Belt Maintenance	17		
Additional Information About Your			
Airbags.....	18		
Airbag System Components.....	18		
How Your Airbags Work	18		

Important Safety Precautions

You'll find many safety recommendations throughout this section, and throughout this manual. The recommendations on this page are the ones we consider to be the most important.

Always Wear Your Seat Belt

A seat belt is your best protection in all types of collisions. Airbags supplement seat belts, but airbags are designed to inflate only in a moderate to severe frontal collision. So even though your vehicle is equipped with airbags, make sure you and your passenger always wear your seat belts, and wear them properly. (See page [12](#)).

Your Vehicle is Not Recommended for Child passengers

Since all children are safest in the back seat of a vehicle, and your vehicle does not have a back seat, we recommend that you do not carry a

child passenger. ***Due to the passenger's airbag hazard, you should never carry an infant in a rear-facing child seat in this vehicle.***

If a small child who must be restrained in a forward-facing child seat, or a larger child, must ride in this vehicle, be sure to follow all instructions and safety warnings in this manual (see pages [26](#) and [31](#)).

Be Aware of Airbag Hazards

While airbags can save lives, they can cause serious or fatal injuries to occupants who sit too close to them, or are not properly restrained. Infants, young children, and short adults are at the greatest risk. Be sure to follow all instructions and warnings in this manual.

Don't Drink and Drive

Alcohol and driving don't mix. Even one drink can reduce your ability to respond to changing conditions, and your reaction time gets worse with

every additional drink. So don't drink and drive, and don't let your friends drink and drive, either.

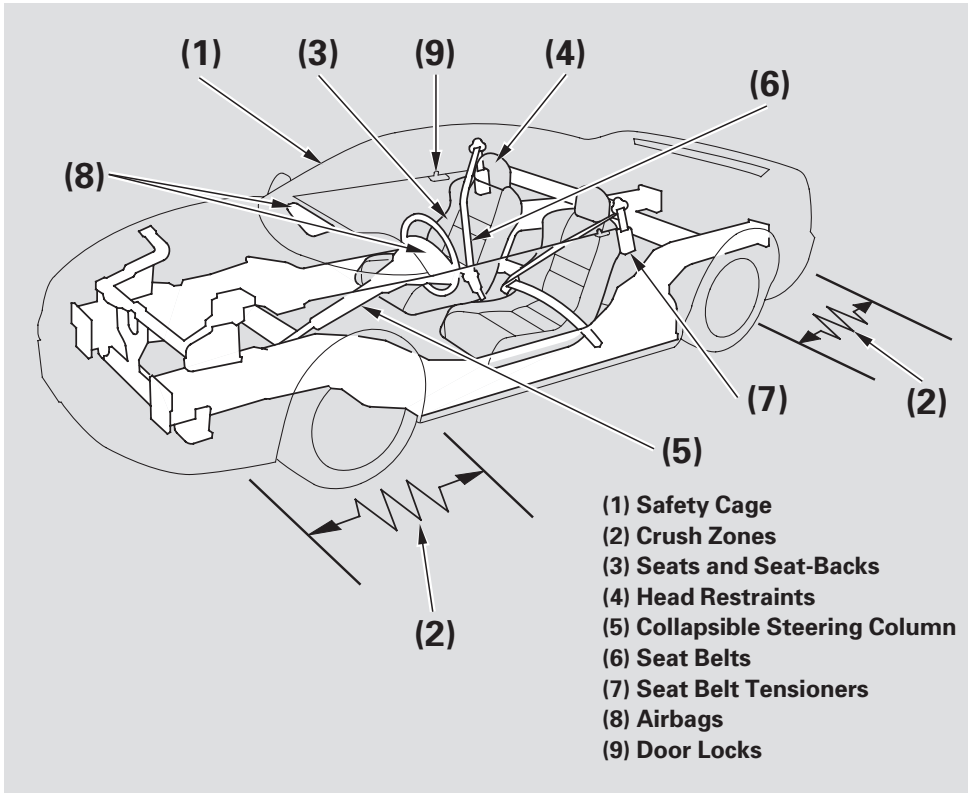
Control Your Speed

Excessive speed is a major factor in crash injuries and deaths. Generally, the higher the speed, the greater the risk, but serious injuries can also occur at lower speeds. Never drive faster than is safe for current conditions, regardless of the maximum speed posted.

Keep Your Vehicle in Safe Condition

Having a tire blowout or a mechanical failure can be extremely hazardous. To reduce the possibility of such problems, check your tire pressures and condition frequently, and perform all regularly scheduled maintenance (see page [135](#)).

Your Vehicle's Safety Features



Your vehicle is equipped with many features that work together to protect you and your passengers during a crash.

Some safety features do not require any action on your part. These include a strong aluminum framework that forms a safety cage around the passenger compartment; front and rear crush zones, a collapsible steering column, and seat belt tensioners that tighten the seat belts in the event of a crash.

However, you and your passenger can't take full advantage of these safety features unless you remain sitting in a proper position and always wear your seat belts properly. In fact, some safety features can contribute to injuries if they are not used properly. The following pages explain how you can take an active role in protecting yourself and your passenger.

Your Vehicle's Safety Features

Seat Belts

For your safety, and the safety of your passenger, your vehicle is equipped with seat belts in both seating positions.

Your seat belt system also includes an indicator on the instrument panel to remind you and your passenger to fasten your seat belts.

Why Wear Seat Belts

Seat belts have proven to be the single most effective safety device.

Not wearing a seat belt properly increases the chance of serious injury or death in a crash, even though your vehicle has airbags.

In addition, most states and all Canadian provinces require you to wear seat belts.

WARNING

Not wearing a seat belt properly increases the chance of serious injury or death in a crash, even if you have airbags.

Be sure you and your passenger always wear seat belts and wear them properly.

When properly worn, seat belts:

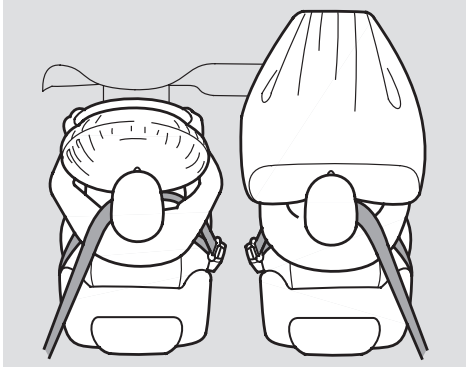
- Keep you connected to the vehicle so you can take advantage of the car's built-in safety features.
- Help protect you in almost every type of crash, including frontal, side, rear impacts, and rollovers.

- Help keep you from being thrown against the inside of the vehicle and against other occupants.
- Keep you from being thrown out of the vehicle.
- Help keep you in a good position should the airbags ever deploy. A good position reduces the risk of injury from an inflating airbag, and allows you to get the best advantage from the airbag.

Of course, seat belts cannot completely protect you in every crash. But in most cases, seat belts can reduce your risk of serious injury.

What you should do: Always wear your seat belt, and make sure you wear it properly.

Airbags



Your vehicle has a Supplemental Restraint System (SRS) with frontal airbags to help protect the heads and chests of the driver and a passenger during a moderate to severe frontal collision (see page 18 for more information on how your airbags work).

The most important things you need to know about your airbags are:

- ***Airbags do not replace seat belts.*** They are designed to supplement the seat belts.
- ***Airbags offer no protection in rear impacts, rollovers, or minor collisions.***
- ***Airbags can pose hazards.*** To do their job, airbags must inflate with tremendous force. So while airbags help save lives, they can cause minor injuries or more serious or even fatal injuries if occupants are not properly restrained or sitting properly.

What you should do: Always wear your seat belt properly, and sit upright, and as far back from the steering wheel while allowing full control of the vehicle. A front passenger should move their seat as far back from the dashboard as possible.

Protecting Adults and Teens

The rest of this section gives more detailed information about how you can maximize your safety.

Remember however, that no safety system can prevent all injuries or deaths that can occur in severe crashes, even where seat belts are properly worn and the airbags deploy.

The following pages provide instructions on how to properly protect the driver, adult passengers and teenage children who are large enough and mature enough to ride in your Acura.

See page [22](#) for important guidelines on how to properly protect small children and larger children who ride in your vehicle.

1. Close and Lock the Doors

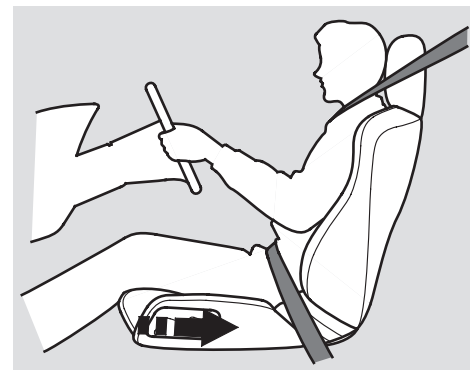
After everyone has entered the vehicle, be sure the doors are closed and locked.

Locking the doors reduces the chance of someone being thrown out of the vehicle during a crash, and it helps prevent a passenger from accidentally opening a door and falling out.

Locking the doors also helps prevent an outsider from unexpectedly opening a door when you come to a stop.

See page [58](#) for how to lock the doors.

2. Adjust the Seats



Adjust driver's seat as far to the rear as possible while allowing you to maintain control of the vehicle. Have a passenger adjust his or her seat as far to the rear as possible.

If you sit too close to the steering wheel or dashboard, you can be seriously injured by an inflating airbag, or by striking the steering wheel or dashboard.

The National Highway Traffic Safety Administration and Transport Canada recommend that drivers allow at least 10 inches (25 cm) between the center of the steering wheel and the chest.

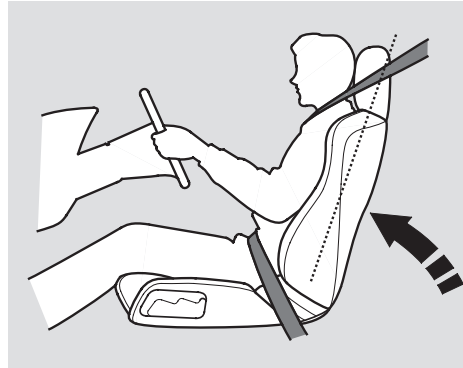
If you cannot get far enough away from the steering wheel and still reach the controls, we recommend that you investigate whether some type of adaptive equipment may help. Once your seat is adjusted correctly, rock it back and forth to make sure it is locked into position. See page 62 for how to adjust the seats.

⚠ WARNING

Sitting too close to an airbag can result in serious injury or death if the airbags inflate.

Always sit as far back from the airbags as possible while allowing full control of the vehicle.

3. Adjust the Seat-Backs



Adjust the driver's seat-back to a comfortable, upright position, leaving ample space between your chest and the airbag cover in the center of the steering wheel.

A passenger should also adjust the seat-back to a comfortable, upright position.

Reclining a seat-back so that the shoulder part of the belt no longer rests against the occupant's chest reduces the protective capability of the belt. It also increases the chance of sliding under the belt in a crash and being seriously injured. The farther a seat-back is reclined, the greater the risk of injury.

See page 62 for how to adjust seat-backs.

⚠ WARNING

Reclining the seat-back too far can result in serious injury or death in a crash.

Adjust the seat-back to an upright position, and sit well back in the seat.

Protecting Adults and Teens

4. Fasten and Position the Seat Belts

Insert the latch plate into the buckle, then tug on the belt to make sure the belt is securely latched. Also check that the belt is not twisted, because a twisted belt can cause serious injuries in a crash.

Position the lap part of the belt as low as possible across your hips, then pull up on the shoulder part of the belt so the lap part fits snugly. This lets your strong pelvic bones take the force of a crash and reduces the chance of internal injuries.



If necessary, pull up on the belt again to remove any slack, then check that the belt rests across the center of your chest and over your shoulder. This spreads the forces of a crash over the strongest bones in your upper body.

Never place the shoulder portion of a lap/shoulder belt under your arm or behind your back. This could cause very serious injuries in a crash.

⚠ WARNING

Improperly positioning the seat belts can cause serious injury or death in a crash.

Make sure all seat belts are properly positioned before driving.

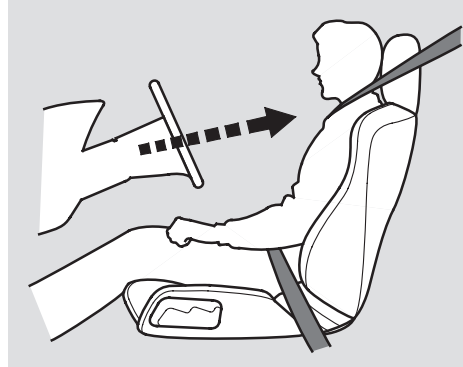
If a seat belt does not seem to work as it should, it may not protect the occupant in a crash.

No one should sit in a seat with an inoperative seat belt. Using a seat belt that is not working properly can result in serious injury or death.

Have your Acura dealer check the belt as soon as possible.

See page [15](#) for additional information about your seat belts and how to take care of them.

5. Adjust the Steering Wheel



Adjust the steering wheel, if needed, so that the wheel points toward your chest, not toward your face. This provides optimal protection from the airbag.

See page [53](#) for how to adjust the steering wheel.

6. Maintain a Proper Sitting Position

After occupants have adjusted their seats and put on seat belts, it is very important that they continue to sit upright, well back in their seats, with their feet on the floor, until the vehicle is parked and the engine is off.

Sitting improperly can increase the chance of injury during a crash. For example, if an occupant slouches, lies down, turns sideways, sits forward, leans forward or sideways, or puts one or both feet up, the chance of injury during a crash is greatly increased.

In addition, an occupant who is out of position can be seriously or fatally injured in a crash by striking interior parts of the vehicle, or being struck by an inflating front airbag.

CONTINUED

Protecting Adults and Teens

⚠ WARNING

Sitting improperly or out of position can result in serious injury or death in a crash.

Always sit upright, well back in the seat, with your feet on the floor.

Advice for Pregnant Women



If you are pregnant, the best way to protect yourself and your unborn child when driving or riding in a vehicle is to always wear a seat belt, and keep the lap part of the belt as low as possible across the hips.

When driving, remember to sit upright and adjust the seat as far back as possible while allowing full control of the vehicle. When riding as a passenger, adjust the seat as far back as possible.

This will reduce the risk of injuries to both you and your unborn child that can be caused by a crash or an inflating airbag.

Each time you have a check-up, ask your doctor if it's okay for you to drive.

Protecting Adults and Teens, Additional Information About Your Seat Belts

Additional Safety Precautions

- ***Two people should never use the same seat belt.*** If they do, they could be very seriously injured in a crash.
- ***Do not put any accessories on seat belts.*** Devices intended to improve occupant comfort or reposition the shoulder part of a seat belt can reduce the protective capability of the belt and increase the chance of serious injury in a crash.
- ***Do not place hard or sharp objects between yourself and an airbag.*** Carrying hard or sharp objects on your lap, or driving with a pipe or other sharp object in your mouth, can result in injuries if your airbags inflate.

- ***Keep your hands and arms away from the airbag covers.*** If your hands or arms are close to an airbag cover, they could be injured if the airbag inflates.
- ***Do not attach or place objects on the airbag covers.*** Objects on the covers marked SRS AIRBAG could interfere with the proper operation of the airbags or be propelled inside the vehicle and hurt someone if the airbags inflate.

Seat Belt System Components

Your seat belt system includes lap/shoulder belts in both seating positions. The seat belts are also equipped with automatic seat belt tensioners.



The seat belt system includes an indicator on the instrument panel to remind you and your passenger to fasten your belts.

If you turn the ignitions switch to ON (II) without fastening your seat belt, a beeper will sound and the indicator will blink. The beeper will stop after a few seconds, but the indicator stay on until the driver's seat belt is fastened.

Additional Information About Your Seat Belts

Lap/Shoulder Belt

The lap and shoulder belt goes over your shoulder, across your chest, and across your hips.

To fasten the belt, insert the latch plate into the buckle, then tug on the belt to make sure the buckle is latched (see page 12 for how to properly position the belt).

To unlock the belt, push the red PRESS button on the buckle. Guide the belt across your body so that it retracts completely. After exiting the vehicle be sure the belt is out of the way and will not get closed in the door.

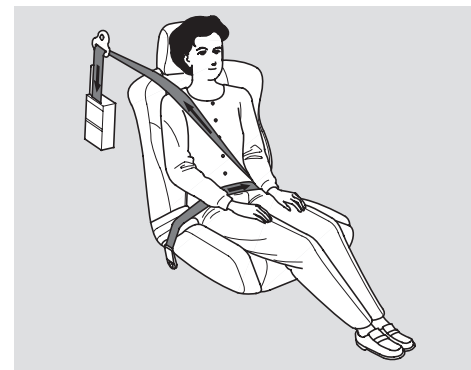
Both seat belts have an emergency retractor. In normal driving, the retractor lets you move freely in your seat while it keeps some tension on the belt. During a collision or sudden stop, the retractor automatically locks the belt to help restrain your body.

The passenger's seat belt has an additional locking mechanism that must be activated to secure a child seat (see page 28).

If the shoulder part of the belt is pulled all the way out, the locking mechanism will activate. The belt will retract, but it will not allow the passenger to move freely.

To deactivate the locking mechanism, unlatch the buckle, and let the seat belt fully retract. To refasten the belt, pull it out only as far as needed.

Automatic Seat Belt Tensioners



For added protection, the seat belts are equipped with automatic seat belt tensioners. When activated, the tensioners immediately tighten the belts to help hold the driver and the passenger in place.

Additional Information About Your Seat Belts

The tensioners are designed to activate primarily in frontal collisions, and they should activate in any collision severe enough to cause airbag inflation.

However, the tensioners can be activated during a collision in which the airbags do not deploy. In this case, the airbags would not be needed, but the additional restraint could be helpful.

When the tensioners are activated, the seat belts will remain tight until they are unbuckled in the normal manner.

Seat Belt Maintenance

For safety, you should check the condition of your seat belts regularly.

Pull each belt out fully and look for frays, cuts, burns, and wear. Check that the latches work smoothly and the belts retract easily. Any belt that is not in good condition or working properly will not provide good protection and should be replaced as soon as possible.

Acura provides a lifetime warranty on seat belts for U.S. models. See your *Acura Warranty Information* booklet for details.

If a seat belt is worn during a crash, it must be replaced by the dealer. A belt that has been worn during a crash may not provide the same level of protection in a subsequent crash.

The dealer should also inspect the anchors for damage and replace them if needed. If automatic seat belt tensioners activate during a crash, they must be replaced.

For information on how to clean your seat belts, see page [157](#).

WARNING

Not checking or maintaining seat belts can result in serious injury or death if the seat belts do not work properly when needed.

Check your seat belts regularly and have any problem corrected as soon as possible.

Additional Information About Your Airbags

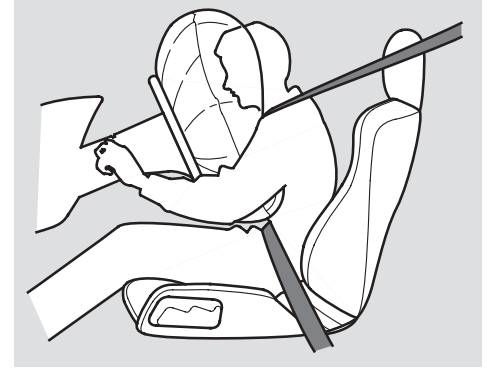
Airbag System Components

Your airbag system includes:

- Two SRS (Supplemental Restraint System) airbags. The driver's airbag is stored in the center of the steering wheel; the passenger's airbag is stored in the dashboard. Both are marked "SRS AIRBAG."
- Automatic seat belt tensioners (see page 16).
- Sensors that can detect a moderate to severe frontal collision.
- A sophisticated electronic system that continually monitors information about the sensors, the control unit, and the airbag activators when the ignition is in the ON (II) position.

- An indicator on the instrument panel that alerts you to a possible problem with the system (see page 20).
- Emergency backup power in case your vehicle's electrical system is disconnected in a crash.

How Your Airbags Work



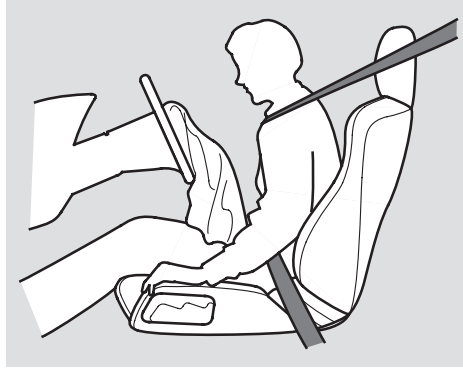
If you ever have a moderate to severe frontal collision, sensors will detect the vehicle's rapid deceleration. If the rate of deceleration is high enough, the control unit will instantly inflate the driver's and passenger's airbags.

Additional Information About Your Airbags

During a frontal crash, your seat belt restrains your lower body and torso, and the airbag helps protect your head and chest.

Although both airbags normally inflate within split second of each other, it is possible for only one airbag to deploy.

This can occur if the severity of a collision is at the margin, or threshold, that determines whether or not the airbags will deploy. In such cases, the seat belt will provide sufficient protection, and the supplemental protection offered by the airbag would be minimal.



After inflating, the airbags will immediately deflate, so they won't interfere with the driver's visibility, or the ability to steer or operate other controls.

The total time for inflation and deflation is one-tenth of a second, so fast that most occupants are not aware that the airbags deployed until they see them lying in their laps.

After a crash, you may see what looks like smoke. This is actually powder from the airbag's surface. Although the powder is not harmful, people with respiratory problems may experience some temporary discomfort. If this occurs, get out of the vehicle as soon as it is safe to do so.

Additional Information About Your Airbags

How the SRS Indicator Works

SRS The SRS indicator alerts you to a potential problem with your airbags or seat belt tensioners (see page 16).

When you turn the ignition to ON (II), this indicator comes on briefly then goes out. This tells you that the system is working properly.

If the indicator comes on at any other time, or does not come on at all, you should have the system checked by your dealer. For example:

- If the SRS indicator does not come on after you turn the ignition to ON (II).
- If the indicator stays on after the engine starts.

- If the indicator comes on or flashes on and off while you drive.

If you see any of these indications, your airbags and seat belt tensioners may not work properly when you need them.

WARNING

Ignoring the SRS indicator can result in serious injury or death if the airbags or tensioners do not work properly.

Have your vehicle checked by a dealer as soon as possible if the SRS indicator alerts you to a possible problem.

Additional Information About Your Airbags

Airbag Service

Your airbag systems are virtually maintenance-free, and there are no parts you can safely service.

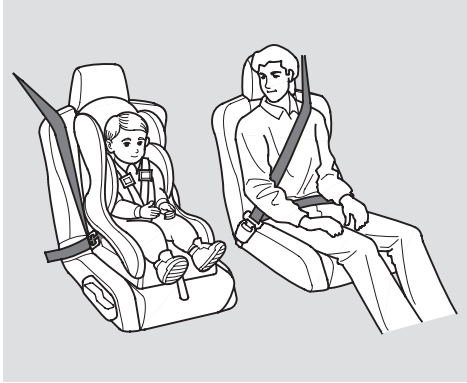
However, you must have your vehicle serviced if:

- ***Your airbags ever inflate.*** The airbags, seat belt tensioners, and control unit must be replaced. Do not try to remove or replace the airbags yourself. This must be done by an Acura dealer or a knowledgeable body shop.
- ***The SRS indicator alerts you to a problem.*** Take your vehicle to an authorized Acura dealer as soon as possible. If you ignore this indication, the airbags may not work properly.

Additional Safety Precautions

- ***Do not attempt to deactivate your airbags.*** Together, airbags and seat belts provide the best protection.
- ***Do not tamper with airbag components or wiring for any reason.*** Tampering could cause the airbags to deploy, possibly causing very serious injury.

Protecting Children – General Guidelines



Children depend on adults to protect them. However, despite their best intentions many adults do not know how to properly protect child passengers.

⚠ WARNING

Children who are unrestrained or improperly restrained can be seriously injured or killed in a crash.

Any child too small for a seat belt should be properly restrained in a child seat. A larger child should be properly restrained with a seat belt and use a booster if necessary.

If you ever need to drive with a child in your vehicle, be sure to read this section. It begins with important general guidelines, then presents special information for small children and larger children.

All Children Must Be Restrained

Each year, many children are injured or killed in vehicle crashes because they are either unrestrained or not properly restrained. In fact, vehicle accidents are the number one cause of death of children ages 12 and under.

To reduce the number of child deaths and injuries, every state and Canadian province requires that infants and children be properly restrained when they ride in a vehicle.

A small child must be restrained in an approved child seat that is properly secured to the vehicle (see pages 27 – 30).

A larger child must be restrained with a booster until the seat belt fits him her properly (see pages 31 – 34).

Your Vehicle is Not Recommended for Child Passengers

The National Highway Traffic Safety Administration and Transport Canada recommend that all children age 12 and under be properly restrained in a back seat.

Since this vehicle does not have a back seat, we strongly recommend that you do not carry any child who is not large enough or mature enough to ride in front (see page [33](#)).

The Passenger's Airbag Can Pose Serious Risks

Airbags have been designed to help protect adults in a moderate to severe frontal collision. To do this, the passenger's airbag is quite large and it can inflate with enough force to cause very serious injuries.

Infants

Never put a rear-facing child seat in this vehicle. If the passenger's airbag inflates, it can hit the back of the child seat with enough force to kill or very seriously injure an infant.

Small Children

Placing a forward-facing child seat in the passenger's seat can be hazardous. If the vehicle seat is too far forward, or the child's head is thrown forward during a collision, an inflating passenger's airbag can strike the child with enough force to kill or very seriously injure them.

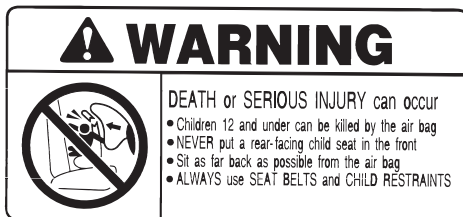
Larger Children

Children who have outgrown child seats are also at risk of being injured or killed by an inflating passenger's airbag. If a larger child must ride in this vehicle, see page [33](#) for important guidelines on how to decide when a child is ready to ride in front and how to properly protect the child.

Protecting Children – General Guidelines

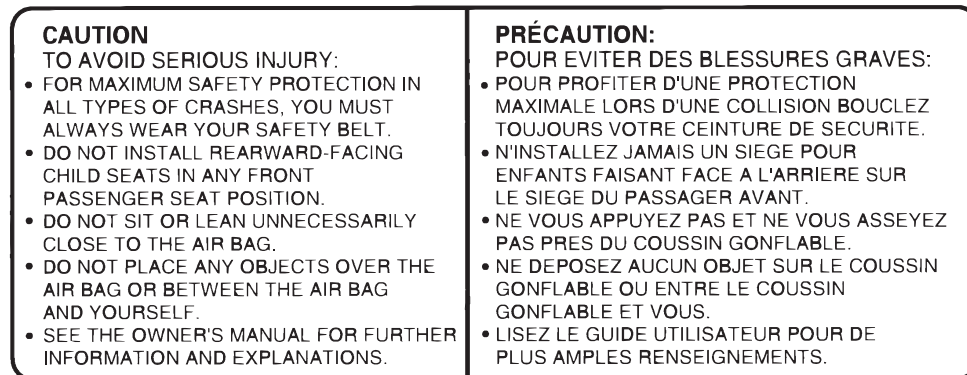
U.S. Models

To remind you of the passenger's airbag hazards, your vehicle has warning labels on the dashboard and on the driver's and passenger's visors. Please read and follow the instructions on these labels.



Canadian Models

To remind you of the airbag hazards, your vehicle has warning labels on the driver's and passenger's visors. Please read and follow the instructions on these labels.



Additional Safety Precautions

- Never hold a small child on your lap. If you are not wearing a seat belt in crash, you could be thrown forward and crush the child against the dashboard. If you are wearing a seat belt, the child can be torn from your arms and be seriously hurt or killed.
 - Never put a seat belt over yourself and a child. During a crash, the belt could press deep into the child and cause serious or fatal injuries.
 - Never let two children use the same seat belt. If they do, they could be very seriously injured in a crash.
- Do not leave children alone in a vehicle. Leaving children without adult supervision is illegal in most states and Canadian provinces, and can be very hazardous. For example, a small child left in a vehicle on a hot day can die from heatstroke. A child left alone with the key in the ignition can accidentally set the vehicle in motion, possibly injuring themselves or others.
 - Lock both doors and the trunk when your vehicle is not in use. Children who play in vehicles can accidentally get trapped inside the trunk. Teach your children not to play in or around vehicles. Know how to operate the emergency trunk opener and decide if your children should be shown how to use this feature (see page 59).
- Keep vehicle keys and remote transmitters out of the reach of children. Even very young children learn how to unlock vehicle doors, turn on the ignition, and open the trunk, which can lead to accidental injury or death.

Protecting Small Children

Because an inflating airbag can seriously injure or kill small children, we recommend that you do not carry a small child as a passenger in this vehicle.

If you decide to transport a small child in this vehicle, be sure to move the passenger seat as far to the rear as possible, and follow the instructions and guidelines in the following pages.

Child Seat Type



A child who is at least one year old, and who fits within the child seat maker's weight and height limits, should be restrained in a forward-facing, upright child seat.

Of the different seats available, we recommend those that have a five-point harness system as shown.

We also recommend that a small child uses the child seat as long as possible, until the child reaches the weight or height limit for the seat.

⚠ WARNING

Placing a forward-facing child seat in the passenger's seat can result in serious injury or death if the front airbag inflates.

If you must place a forward-facing child seat in front, move the vehicle seat as far back as possible, and properly restrain the child.

Selecting a Child Seat, Installing a Child Seat

Selecting a Child Seat

To provide proper protection, a child seat should meet three requirements:

- 1. *The child seat should meet U.S. or Canadian Motor Vehicle Safety Standard 213.*** Look for FMVSS 213 or CMVSS 213 on the box.
- 2. *The child seat should be of the proper type and size to fit the child.***
- 3. *The child seat should fit the passenger's seat.***

Before purchasing a child seat, or using a previously purchased one, we recommend that you test the seat to make sure it fits properly in the passenger's seat.

Installing a Child Seat

After selecting a proper child seat, there are three main steps to install it:

- 1. *Properly secure the child seat to the vehicle.*** All child seats must be secured to the vehicle with the lap part of a lap/shoulder belt. A child whose seat is not properly secured to the vehicle can be endangered in a crash.
- 2. *Make sure the child seat is firmly secured.*** After installing a child seat, push and pull the seat forward and from side to side to verify that it is secure.

A child seat secured with a seat belt should be installed as firmly as possible. However, it does not need to be “rock solid”. Some side-to-side movement can be expected and should not reduce the child seat's effectiveness.

3. *Secure the child in the child seat.*

Make sure the child is properly strapped in the child seat according to the child seat maker's instructions. A child who is not properly secured in a child seat can be seriously injured in a crash.

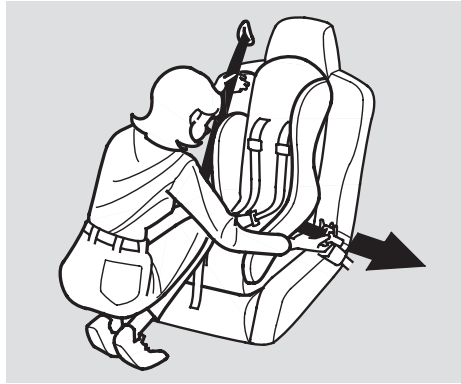
The following pages provide guidelines on how to properly install a forward-facing child seat.

Installing a Child Seat

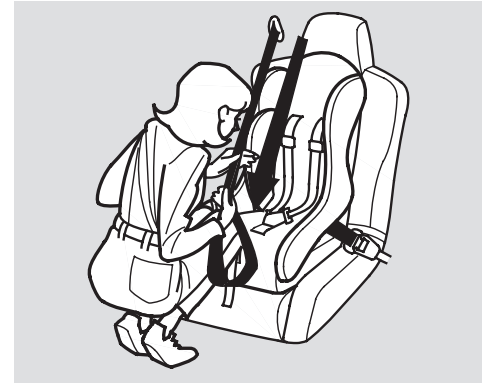
Installing a Child Seat with a Lap/Shoulder Belt

The passenger's seat belt has a locking mechanism that must be activated to secure a child seat.

1. Move the vehicle seat to the rear-most position. Moving the seat as far back as possible reduces the chance of a child being injured or killed if the passenger's airbag inflates.



2. With the child seat in position, route the belt through the child seat according to the seat maker's instructions, then insert the latch plate into the buckle.
3. To activate the lockable retractor, slowly pull the shoulder part of the belt all the way out until it stops, then let the belt feed back into the retractor.

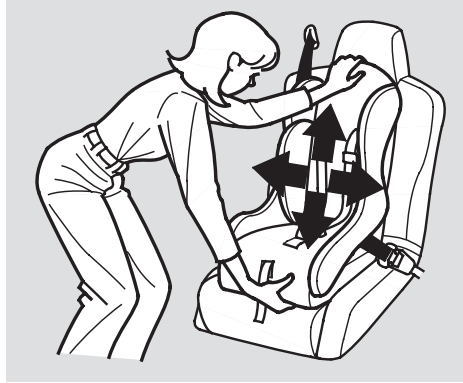


4. After the belt has retracted, tug on it. If the belt is locked, you will not be able to pull it out. If you can pull the belt out, it is not locked, and you will need to repeat these steps.



5. After confirming that the belt is locked, grab the shoulder part of the belt near the buckle, and pull up to remove any slack from the lap part of the belt. Remember, if the lap part of the belt is not tight, the child seat will not be secure.

To remove slack, it may help to put weight on the child seat, or push on the back of the seat while pulling up on the belt.

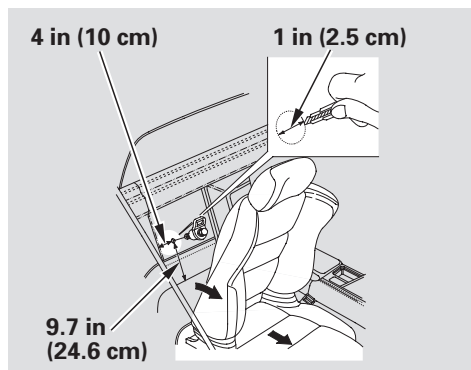


6. Push and pull the child seat forward and from side to side to verify that it is firmly secured. If the child seat is not secure, unlatch the belt, allow it to retract fully, then repeat these steps.

To deactivate the locking mechanism and remove a child seat, unlatch the buckle, unrout the seat belt, and let the belt fully retract.

Installing a Child Seat

Installing a Child Seat with a Tether



To attach a tether to your vehicle:

1. Adjust the passenger's seat fully forward to make room behind the seat-back.
2. Using the measurements shown, poke a marker hole in the lining behind the seat.

3. Use a razor blade or sharp knife to cut a 1-inch (2.5 cm) diameter circle around the marker hole. Remove the upholstery you cut.

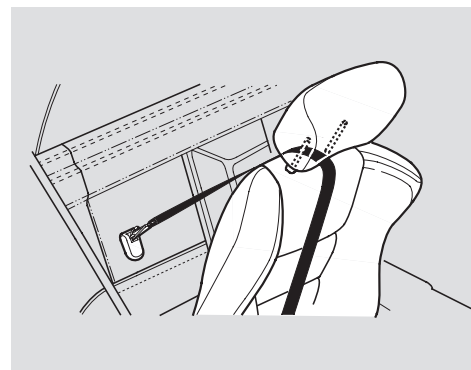
4. Install the tether hardware. Tighten the bolt to:
16 lbf-ft (22 N·m , 2.2 kgf·m)

(U.S. models only)

The hardware is available for purchase from your Acura dealer (part numbers: 82410-S84-C10 for the hardware, 82419-S84-C00 for the cover).

(Canadian Models)

The hardware is stored in the glove box.



Pass the strap between the top of the seat and the bottom of the head restraint.

Attach the attaching clip to the tether anchorage point as shown in the illustration, then tighten the strap according to the child seat maker's instructions. Make sure the strap is not twisted.

When a child reaches the recommended weight or height limit for a forward-facing child seat, the child should sit in a back seat on a booster and wear a lap/shoulder belt.

Since this vehicle does not have a back seat, we recommend that you do not carry a larger child, age 12 or under, as a passenger.

The following pages provide guidelines to help you decide when a given child may ride in front, and how to properly protect the child.

⚠ WARNING

Allowing a larger child age 12 or under to ride in the vehicle can result in injury or death if the passenger's front airbag inflates.

If a larger child must ride in the vehicle, move the vehicle seat as far back as possible, use a booster seat if needed, and have the child sit up properly and wear the seat belt properly.

Checking Seat Belt Fit



To determine if a lap/shoulder belt properly fits a child, have the child put on the seat belt, then ask yourself:

1. Does the child sit all the way back against the seat?

CONTINUED

Protecting Larger Children

2. Do the child's knees bend comfortably over the edge of the seat?
3. Does the shoulder belt cross between the child's neck and arm?
4. Is the lap part of the belt as low as possible, touching the child's thighs?
5. Will the child be able to stay seated like this for the whole trip?

If you answer yes to all these questions, the child is ready to wear the lap/shoulder belt correctly. If you answer no to any question, the child needs to ride on a booster seat.

Using a Booster Seat



A child who has outgrown a forward-facing child seat should use a booster seat until the lap/shoulder belt fits them properly without the booster.

Some states also require children to use a booster until they reach a given age or weight (e.g., 6 years or 60 lbs). Be sure to check current laws in the state or states where you intend to drive.

Booster seats can be high-back or low-back. Whichever style you select, make sure the booster meets federal safety standards and that you follow the booster seat maker's instructions.

If a child who uses a booster must ride in the vehicle, move the vehicle seat as far to the rear as possible, and be sure the child is wearing the seat belt properly.

A child may continue using a booster seat until the tops of their ears are even with the top of the vehicle's or booster's seat-back. A child of this height should be tall enough to use the lap/shoulder belt without a booster.

When Can a Larger Child Ride in this Vehicle

If the passenger's airbag inflates in a moderate to severe frontal collision, the airbag can cause serious injuries to a child who is unrestrained, improperly restrained, sitting too close to the airbag, or out of position.

Of course, children vary widely. And while age may be one indicator of when a child can safely ride in this vehicle. There are other important factors you should consider.

Maturity

To safely ride in this vehicle, a child must be able to follow the rules, including sitting properly, and wearing the seat belt properly throughout ride.

Physical Size

Physically, a child must be large enough for the lap/shoulder belt to properly fit (see page 31). If the seat belt does not fit properly, with or without the child sitting on a booster, the child should not sit in this vehicle.

If you decide that a child can safely ride in this vehicle, be sure to:

- Carefully read the owner's manual, and make sure you understand all seat belt instructions and all safety information.
- Move the vehicle seat to the rear-most position.
- Have the child sit up straight, back against the seat, and feet on or near the floor.
- Check that the child's seat belt is properly and securely positioned.
- Supervise the child. Even mature children sometimes need to be reminded to fasten the seat belts or sit properly.

Protecting Larger Children

Additional Safety Precautions

Do not let a child wear a seat belt across the neck. This could result in serious neck injuries during a crash.

Do not let a child put the shoulder part of a seat belt behind the back or under the arm. This could cause very serious injuries during a crash. It also increases the chance that the child will slide under the belt in a crash and be injured.

Two children should never use the same seat belt. If they do, they could be very seriously injured in a crash.

Do not put any accessories on a seat belt. Devices intended to improve a child's comfort or reposition the shoulder part of a seat belt can make the belt less effective, and increase the chance of serious injury in a crash.

Your vehicle's exhaust contains carbon monoxide gas. You should have no problem with carbon monoxide entering the vehicle in normal driving if you maintain your vehicle properly.

Have the exhaust system inspected for leaks whenever:

- The vehicle is raised for an oil change.
- You notice a change in the sound of the exhaust.
- The vehicle was in an accident that may have damaged the underside.

WARNING



Carbon monoxide gas is toxic. Breathing it can cause unconsciousness and even kill you.

Avoid any enclosed areas or activities that expose you to carbon monoxide.

High levels of carbon monoxide can collect rapidly in enclosed areas, such as a garage. Do not run the engine with the garage door closed. Even with the door open, run the engine only long enough to move the vehicle out of the garage.

With the trunk lid open, air flow can pull exhaust gas into your vehicle's interior and create a hazardous condition. If you must drive with the trunk lid open, open all the windows, and set the heating and cooling system/climate control system as shown below.

If you must sit in your parked vehicle, even in an unconfined area, with the engine running, adjust the heating and cooling system as follows:

1. Push the  button.
2. Select the  mode.
3. Turn the fan on high speed.
4. Set the temperature control to a comfortable setting.

Safety Labels

These labels are in the locations shown. They warn you of potential hazards that could cause serious injury. Read these labels carefully.

If a label comes off or becomes hard to read, contact your Acura dealer for a replacement.

SUN VISOR

U.S. models

	WARNING
	<p>DEATH or SERIOUS INJURY can occur</p> <ul style="list-style-type: none"> • Children 12 and under can be killed by the air bag • NEVER put a sleeping child seat in the front • If it is far back, no possible from the air bag • ALWAYS USE SEAT BELTS and CHILD RESTRAINTS

Canadian models

<p>CAUTION</p> <p>TO AVOID SERIOUS INJURY:</p> <ul style="list-style-type: none"> • DO NOT WEAR CHILD PROTECTION SEAT BELTS • ALWAYS WEAR YOUR SEAT BELT • DO NOT USE ALCOHOL AND DRUGS • CHILD SEAT MUST BE PROPERLY INSTALLED • CHILD SEAT MUST BE PROPERLY SECURED TO THE AIR BAG • DO NOT PLACE ANY OBJECTS OVER THE AIR BAG OR BETWEEN THE AIR BAG AND YOU • SEE THE OWNER'S MANUAL FOR FURTHER INFORMATION 	<p>PRECAUTION:</p> <p>POUR ÉVITER DES BLESSURES GRAVES:</p> <ul style="list-style-type: none"> • NE PAS PORTER D'ÉCARTS DE PROTECTION • TOUJOURS PORTER SA CEINTURE DE SÉCURITÉ • NE PAS BOIRE D'ALCOOL ET NE PAS PRENDRE DE MÉDICAMENTS • LE SIÈGE D'UN ENFANT DOIT ÊTRE CORRECTEMENT MONTÉ SUR LE SIÈGE DE PASSAGER AVANT • LE SIÈGE D'UN ENFANT NE DOIT PAS ÊTRE POSÉ SUR LE COUSSIN NI ENTRE LE COUSSIN ET LE SIÈGE • NE PAS PLACER D'OBJETS SUR LE SIÈGE NI ENTRE LE SIÈGE ET LE COUSSIN • NE PAS PORTER D'OBJETS SUR LE SIÈGE NI ENTRE LE SIÈGE ET LE COUSSIN • VOIR LE MANUEL D'UTILISATION POUR PLUS D'INFORMATIONS
--	--

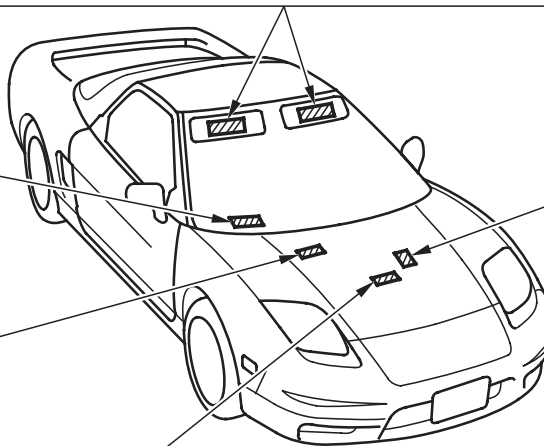
DASHBOARD

U.S. models only

	WARNING
<p>Children Can Be KILLED or INJURED by Passenger Air Bag</p>	
<ul style="list-style-type: none"> • Make sure all children use seat belts or child seats. To be removed by owner only. 	

FOLDING SPARE TIRE

<p>SPARE TIRE</p> <p>AO CO</p>
<ul style="list-style-type: none"> • FOLLOW OWNER'S MANUAL INSTRUCTIONS CAREFULLY. • SPARE TIRE IS FOR TEMPORARY EMERGENCY USE ONLY. • MAXIMUM RECOMMENDED SPEED : 50MPH(80km/h) • SPARE TIRE INFLATION PRESSURE: <ul style="list-style-type: none"> FOR FRONT USE 100psi (26psi) FOR REAR USE 220psi (32psi)



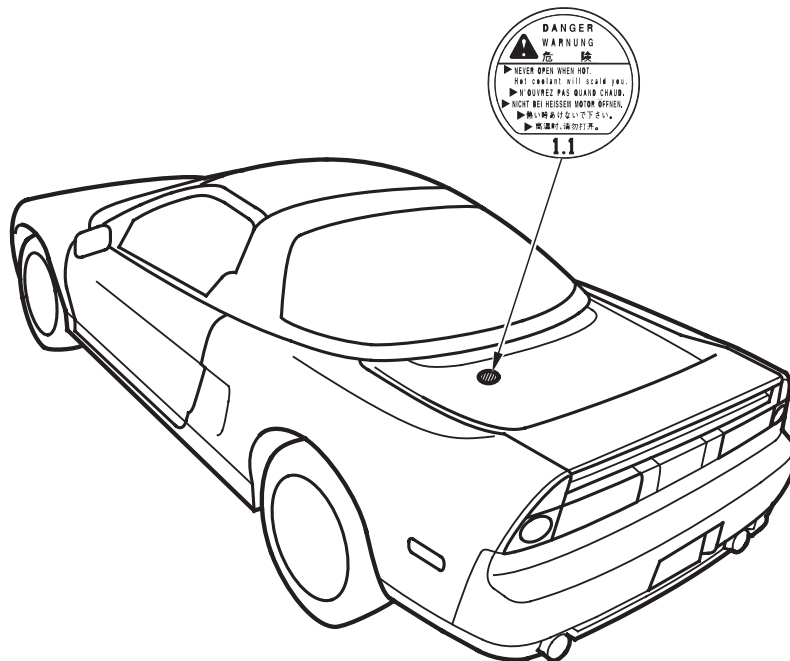
JUMP START

<p>ATTENTION</p>
<p>NE PAS METTRE EN ROUTE AVEC UNE BATTERIE DE SECOURS LORSQUE LE LIQUIDE EST GELÉ.</p> <p>UNE BATTERIE GELÉE RISQUE D'EXPLOSER.</p>
<p>CAUTION</p>
<p>DO NOT JUMP START WHEN BATTERY FLUID IS FROZEN.</p> <p>FROZEN BATTERY MAY EXPLODE.</p> <p>NI TWEIS</p> <p>WENN BATTERIE GEFROREN, NICHT UNTERBRÜCKEN. — EXPLOSIONGEFAHR —</p>

RADIATOR

	DANGER
<p>▶ Never open red vent plug when engine is hot. Hot coolant will scald you.</p>	
<p>DANGER WARNING</p>	
<p>▶ NOUVREZ PAS QUAND CHAUD.</p> <p>▶ NICHT BEI HEISSEM MOTOR OFFENEN.</p> <p>▶ 熱い時にあけるな。</p>	

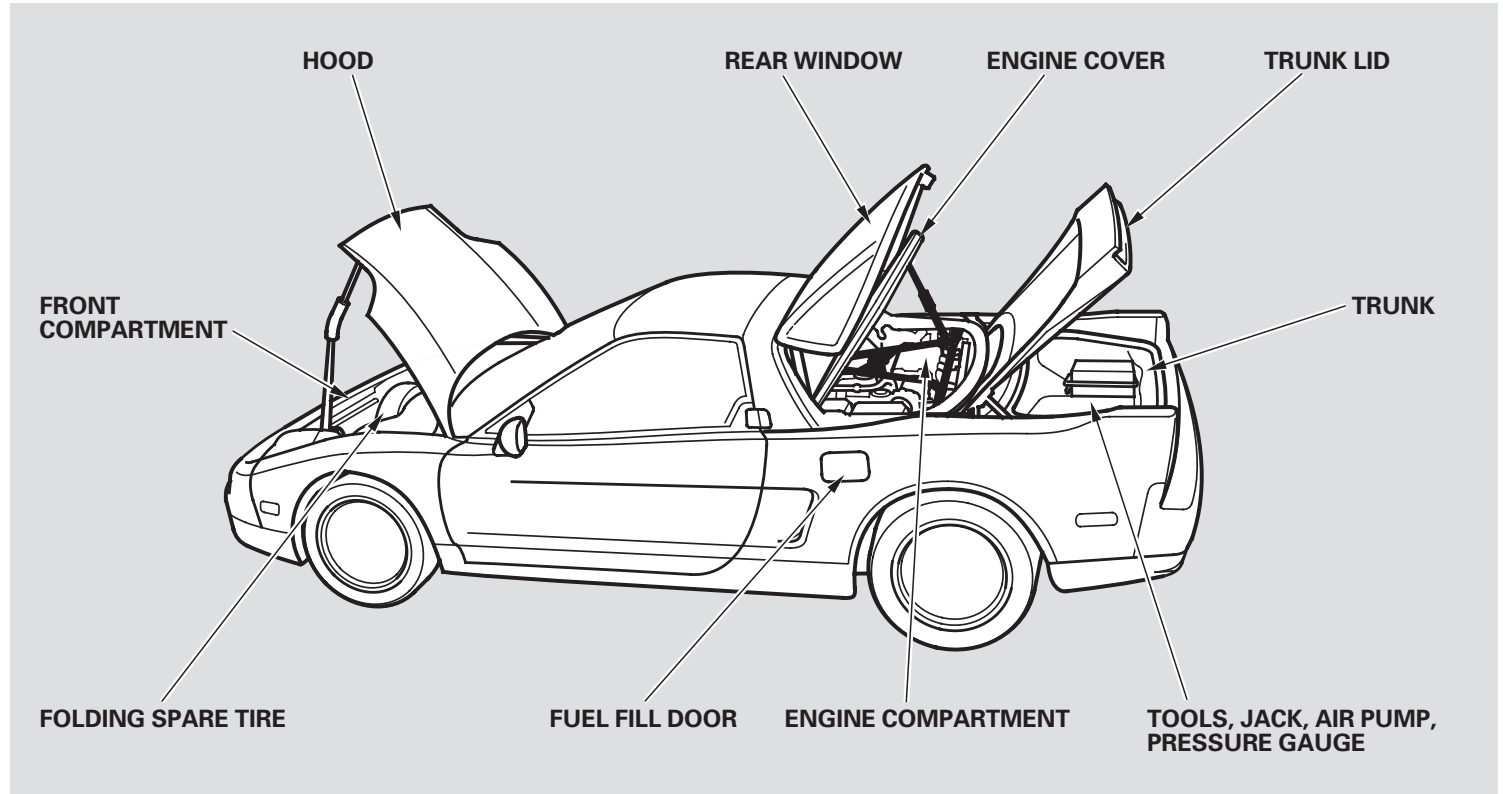
EXPANSION TANK CAP



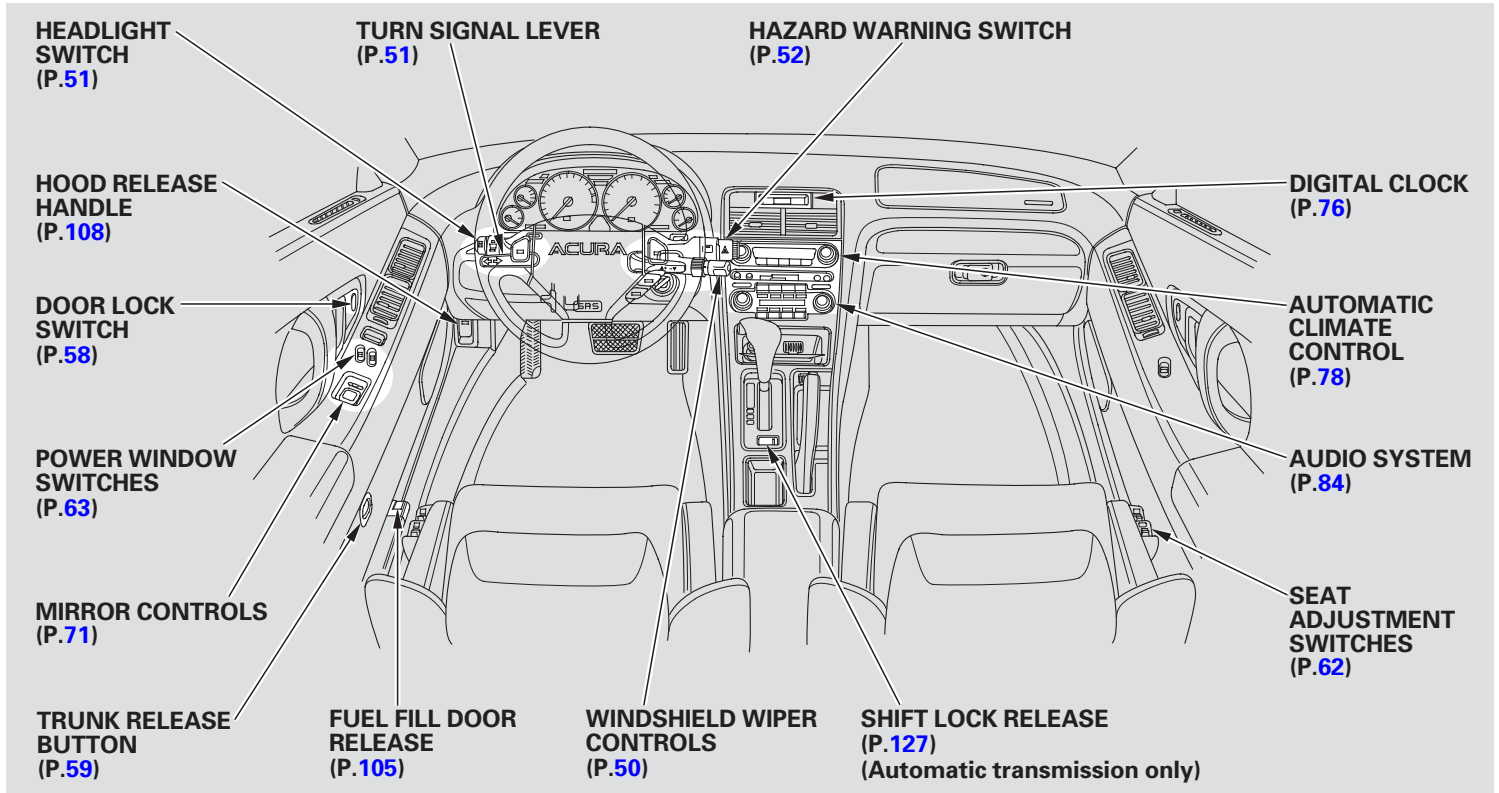
This section gives information about the controls and displays that contribute to the daily operation of your Acura. All the essential controls are within easy reach.

Component Locations	40	Power Windows	63
Control Locations	41	Removable Roof Panel	65
Instrument Panel Indicators	42	Mirrors	71
Gauges	47	Parking Brake	72
Odometer	47	Interior Lights	73
Trip Meter	47	Interior Convenience Items	74
Temperature Gauge	47	Console Compartment	75
Oil Pressure Gauge	48	Coin Holder	75
Voltmeter	48	Beverage Holder	75
Fuel Gauge	48	Cigarette Lighter	75
Steering Column Controls	49	Ashtray	75
Windshield Wipers and Washers ..	50	Glove Box	76
Turn Signals and Headlights	51	Clock	76
Instrument Panel Brightness	52		
Hazard Warning Button	52		
Rear Window Defogger	52		
Steering Wheel Adjustment	53		
Keys	54		
Immobilizer System	55		
Ignition Switch	57		
Door Locks	58		
Power Door Locks	58		
Trunk	59		
Emergency Trunk Opener	59		
Remote Transmitter	60		
Seats	62		

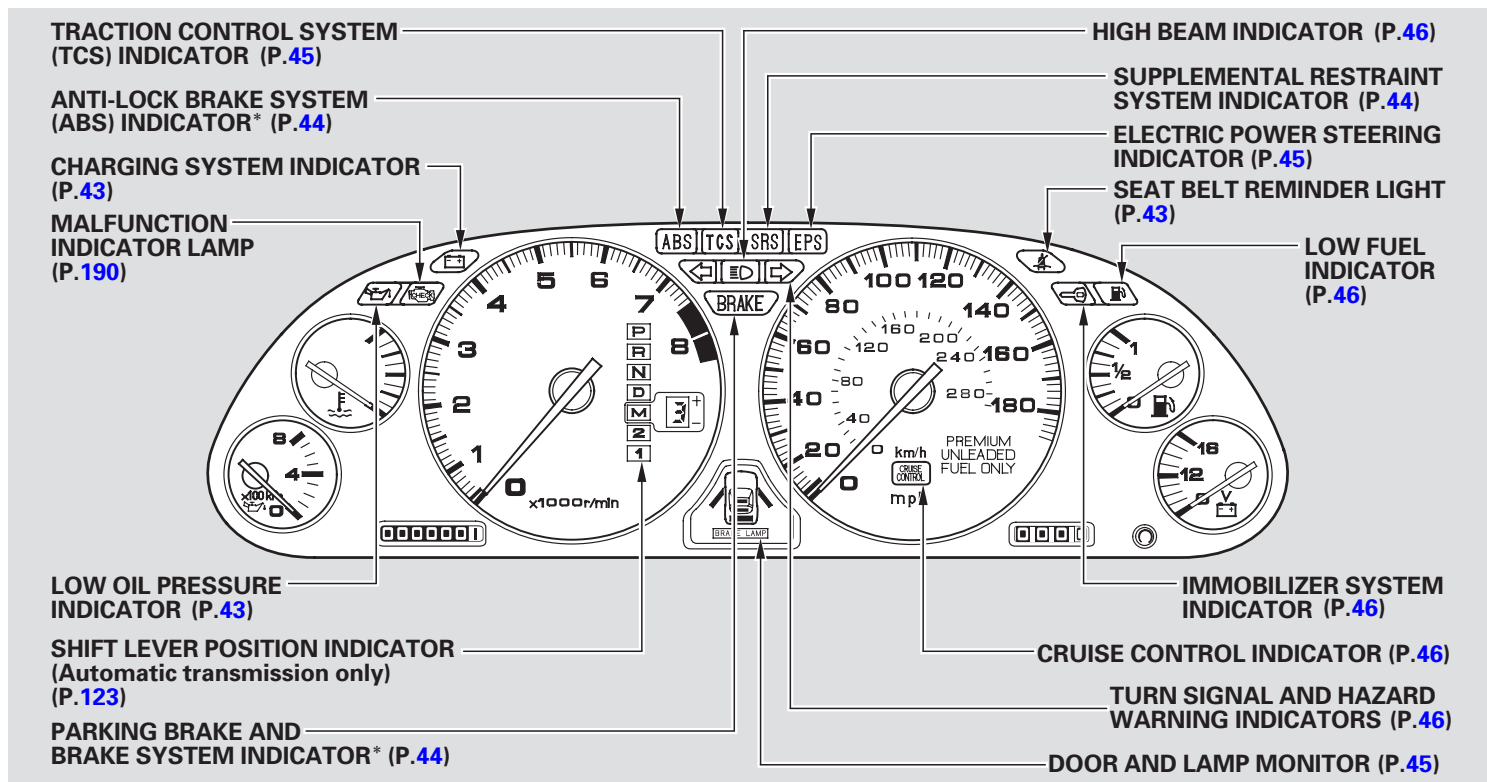
Component Locations



Control Locations



Instrument Panel Indicators



* The U.S. instrument panel is shown. Differences for the Canadian models are noted in the text.

The instrument panel has many indicators to give you important information about your vehicle.



Seat Belt Reminder Indicator

This indicator flashes for several seconds when you turn the ignition ON (II). It flashes as a reminder to you and your passenger to fasten the seat belts. A beeper also sounds if you have not fastened your seat belt.

If you do not fasten your seat belt, the beeper will stop after a few seconds but the indicator stays on until you do. Both the indicator and the beeper stay off if you fasten your seat belt before turning on the ignition.



Low Oil Pressure Indicator

The engine can be severely damaged if this indicator flashes or stays on when the engine is running. For more information, see page [189](#).



Charging System Indicator

If this indicator comes on when the engine is running, the battery is not being charged. For more information, see page [189](#).

Instrument Panel Indicators

U.S. Canada



Parking Brake and Brake System Indicator

This indicator has two functions:

1. This indicator comes on when you turn the ignition switch to ON (II). It is a reminder to check the parking brake. Driving with the parking brake not fully released can damage the brakes and tires.
2. If it remains lit after you fully release the parking brake while the engine is running, or if it comes on while driving, there could be a problem with the brake system. For more information, see page [191](#).

U.S. Canada



Anti-lock Brake System (ABS) Indicator

This indicator normally comes on for a few seconds when you turn the ignition switch to ON (II), and goes off after the engine starts. If it comes on at any other time, there is a problem in the ABS. If this happens, have your vehicle checked by your Acura dealer. With this indicator on, your vehicle still has normal braking ability but no anti-lock. For more information, see page [130](#).



Supplemental Restraint System Indicator

This indicator comes on when you turn the ignition switch to ON (II). If it comes on at any other time it indicates a potential problem with your airbags or automatic seat belt tensioners. For more information, see page [39](#).



Malfunction Indicator Lamp

See page [190](#).

Door and Lamp Monitor



The appropriate indicator comes on in this display if the trunk, the roof panel, the rear window, or either door is not closed tightly. If a brake light does not work, the **BRAKE LAMP** indicator comes on when you push the brake pedal with the ignition switch ON (II).

A burned out brake light is a hazard when drivers behind you cannot tell you are braking. Have your brake lights repaired right away.

All the indicators in the monitor display come on for a few seconds when you turn the ignition switch to ON (II).

EPS Electric Power Steering (EPS) Indicator

This indicator normally comes on when you turn the ignition to ON (II) and goes off after the engine starts. If it comes on at any other time, there is a problem in the Electric Power Steering system. If this happens, stop the vehicle in a safe place, and turn off the engine. Reset the system by restarting the engine, and watch the EPS indicator. If it does not go off, or comes back on again while driving, take the vehicle to your dealer to have it checked. With the indicator on, the EPS is turned off, making the vehicle harder to steer.

TCS Traction Control System (TCS) Indicator

This indicator has three functions:

1. It comes on as a reminder that you have turned off the Traction Control System.
2. It flashes when the TCS is regulating the engine power.
3. If it comes on and stays on when the Traction Control System is on, it indicates that there is a problem in the TCS.

This light also comes on when you turn the ignition ON (II) and goes off after the engine starts. See page 131 for more information on the TCS.

Instrument Panel Indicators



Turn Signal and Hazard Warning Indicators

The left or right turn signal indicator blinks when you signal a lane change or turn. If the indicators do not blink or blink rapidly, it usually means one of the turn signal bulbs is burned out (see page [155](#)). Replace the bulb as soon as possible, since other drivers cannot see that you are signaling.

When you turn on the Hazard Warning switch, both turn signal indicators blink. All turn signals on the outside of the vehicle should flash.



High Beam Indicator

This indicator comes on with the high beam headlights. See page [51](#) for information on the headlight controls.



“Daytime Running Lights” Indicator

Canadian models only

This indicator comes on when you turn the ignition switch to ON (II) with the headlight switch off and the parking brake set. It should go off if you turn on the headlights or release the parking brake. If it comes on at any other time, it means there is a problem with the DRL. There may also be a problem with the high beam headlights.



Immobilizer System Indicator

This indicator comes on for a few seconds when you turn the ignition switch to ON (II). It will go off if you have inserted a properly-coded ignition key. If it is not a properly-coded key, the indicator will blink and the engine will not start (see page [55](#)).

This indicator also blinks several times when you remove the key from the ignition switch.



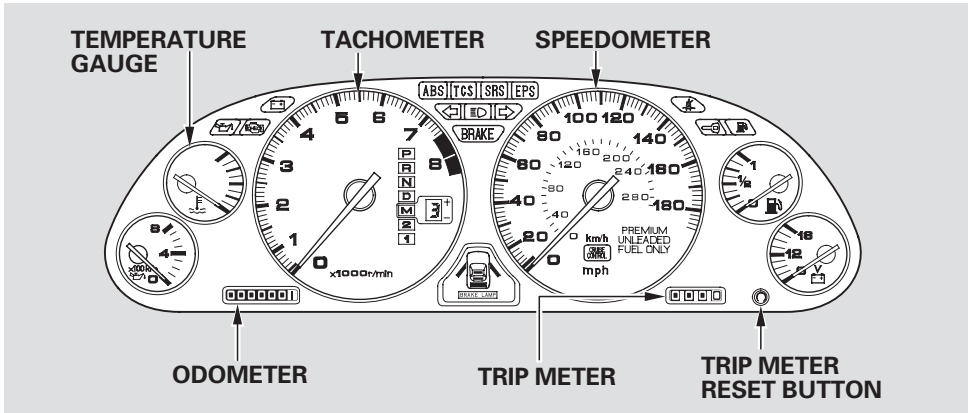
Cruise Control Indicator

This comes on when you set the cruise control. See page [100](#) for information on operating the cruise control.



Low Fuel Indicator

This indicator comes on as a reminder that you must refuel soon.



Odometer

The odometer shows the total distance your vehicle has been driven. It measures miles in U.S. models and kilometers in Canadian models. It is illegal under U.S. federal law and Canadian provincial regulations to disconnect, reset, or alter the odometer with the intent to change the number of miles or kilometers indicated.

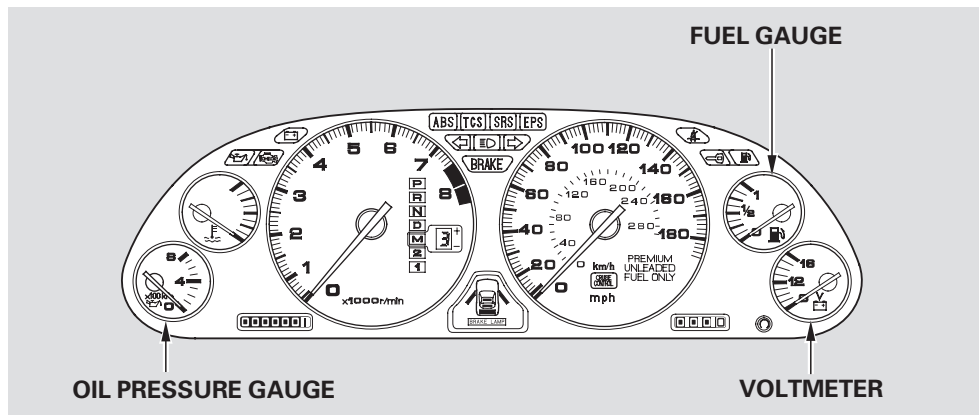
Trip Meter

The trip meter shows the number of miles or kilometers driven since you last reset it. To reset it, push the trip meter reset button.

Temperature Gauge

This shows the temperature of the engine's coolant. During normal operation, the reading should be in the middle of the gauge. In severe driving conditions, the reading may reach near the red mark. If it reaches the red (Hot) mark, pull safely to the side of the road. Turn to page 187 for instructions and precautions on checking the engine's cooling system.

Gauges



Oil Pressure Gauge

This shows the engine's oil pressure in hundred kilopascal (x 100 kPa). This pressure varies with engine speed and temperature. If the oil pressure falls low enough to cause engine damage, the Low Oil Pressure Indicator comes on (see page [189](#)).

Voltmeter

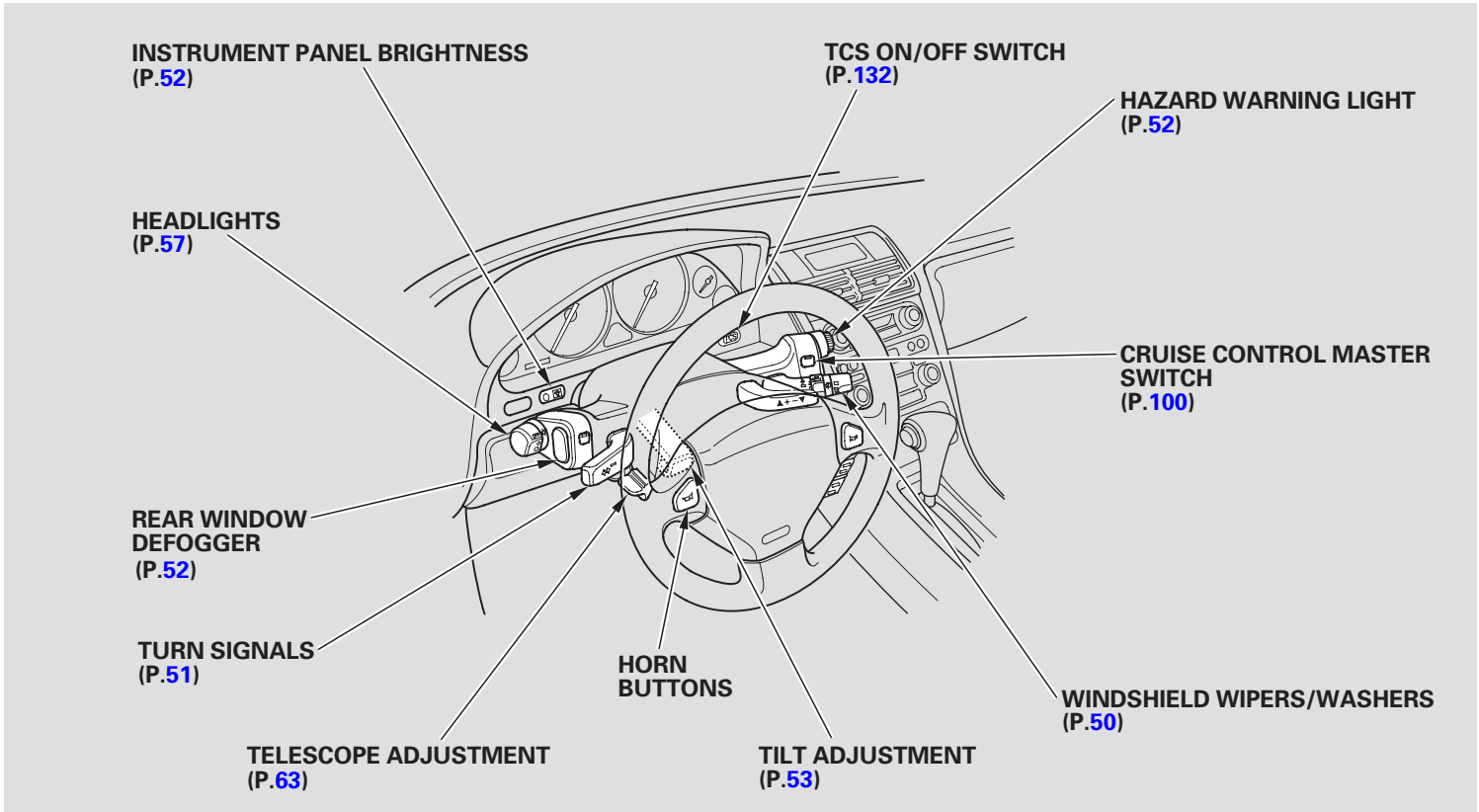
This meter shows you the battery voltage when the ignition is ON (II). A prolonged reading of lower than 11 volts can indicate a problem with the battery or charging system. Have your vehicle inspected by your Acura dealer.

Fuel Gauge

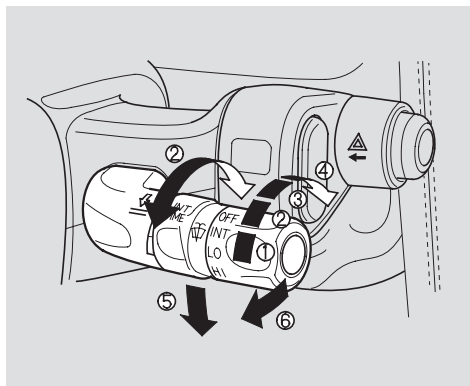
This shows how much fuel you have. It may show slightly more or less than the actual amount.

NOTICE: Avoid driving with an extremely low fuel level. Running out of fuel could cause the engine to misfire, damaging the catalytic converter.

Steering Column Controls



Windshield Wipers and Washers



1. OFF
2. INT – Intermittent
3. LO – Low
4. HI – High
5. MIST
6. Windshield Washers

Turn the rotary switch at the end of the lever or push down or pull the lever to select a position.

OFF – The wipers are not activated.

INT – The wipers operate every few seconds.
Vary the delay by turning the INT TIME ring.

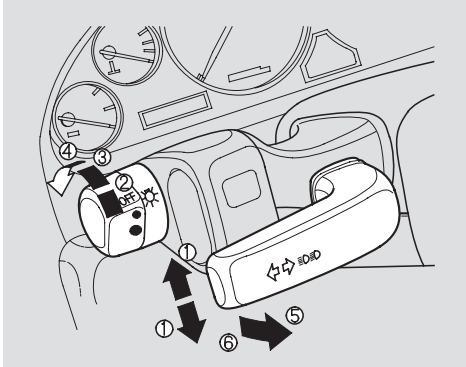
LO – The wipers run at low speed.

HI – The wipers run at high speed.

MIST: The wipers run at high speed until you release the lever.

Windshield Washer – Pull the wiper control lever toward you and hold it. The washers spray until you release the lever. The wipers run at low speed, then complete one more sweep after you release the lever.

Turn Signal and Headlights



1. Turn Signal
2. Off
3. Parking and interior lights
4. Headlight on
5. High beams
6. Flash high beams

Turn Signal — Push down on the left lever to signal a left turn and up to signal a right turn. To signal a lane change, push lightly on the lever and hold it. The lever will return to center when you release it or complete a turn.

Headlights ON — Rotating the switch on the left pod to the “●” position turns on the parking lights, taillights, instrument panel lights, side-marker lights, and rear license plate lights. Turning the switch to the “●” position turns on the headlights. If you leave the lights on with the key removed from the ignition switch, you will hear a reminder tone when you open the driver’s door.

High Beams — To turn on, pull the turn signal lever toward you as far as it will move, then let go. The blue high beam indicator will light (see page 46). Pull it again to return to low beams. To flash the high beams, pull the lever back lightly, then release it. The high beams will stay on as long as you hold the lever back.

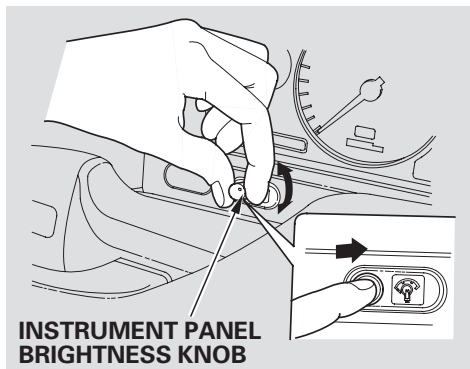
Daytime Running Lights (Canadian Models)

With the headlight switch off, the high beam headlights come on with reduced brightness when you turn the ignition switch to ON (II) and release the parking brake. They remain on until you turn the ignition off, even if you set the parking brake.

The headlights revert to normal operation when you turn them on with the switch.

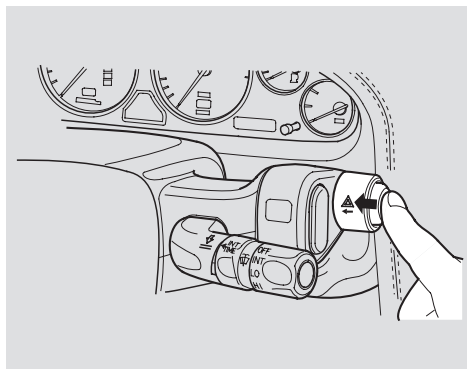
Instrument Panel Brightness, Hazard Warning Button, Rear Window Defogger

Instrument Panel Brightness



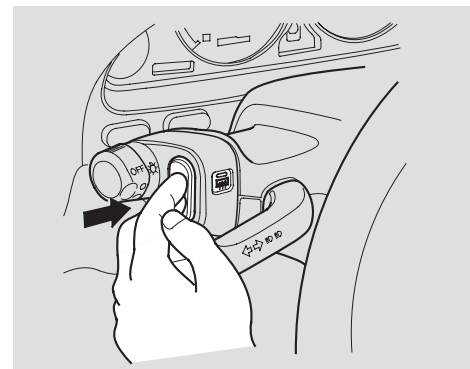
The knob on the dashboard behind the left pod controls the brightness of the instrument panel lights. Push the knob to get it to pop out. Turn the knob to adjust the brightness, then push it back in so you cannot accidentally bump it.

Hazard Warning Button



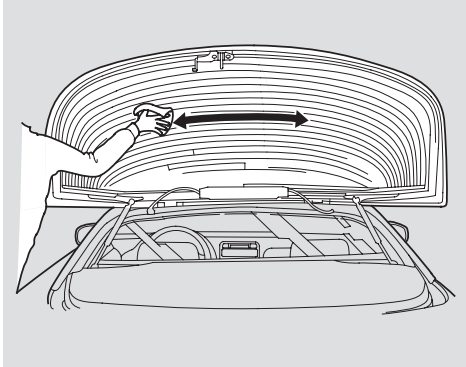
Push the red button on the right pod to turn on the hazard warning lights (four-way flashers). This causes all four outside turn signals and both indicators in the instrument panel to flash. Use the hazard warning lights if you need to park in a dangerous area near heavy traffic, or if your vehicle is disabled.

Rear Window Defogger



The rear window defogger will clear fog, frost, and thin ice from the window. Push the defogger button to turn it on and off. The indicator on the front of the pod lights comes on to show the defogger is on. If you do not turn it after about 25 minutes. It also shuts off when you turn off the ignition. You have to turn it on again when you restart the vehicle.

Rear Window Defogger, Steering Wheel Adjustment



Make sure the rear window is clear and you have good visibility before starting to drive.

The defogger and antenna wires on the inside of the rear window can be accidentally damaged. When cleaning the glass, always wipe side to side.

Steering Wheel Adjustment

See page 13 for important safety information about how to properly position the steering wheel.

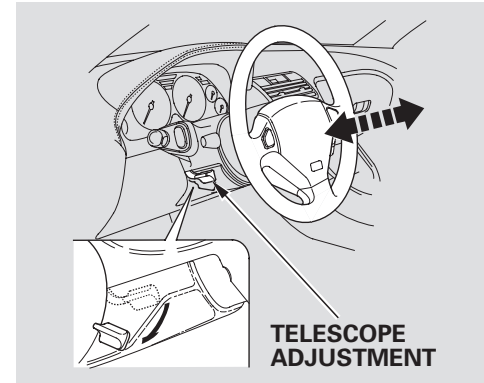
Make any steering wheel adjustment before you start driving.

⚠ WARNING

Adjusting the steering wheel position while driving may cause you to lose control of the vehicle and be seriously injured in a crash.

Adjust the steering wheel only when the vehicle is stopped.

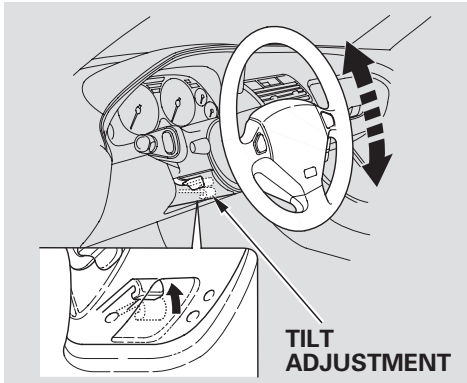
1. The lever to telescope the steering wheel is under the steering column to the left. Push this lever all the way down.



2. Move the steering wheel in or out to the distance you want. Push the lever up firmly to lock the steering wheel in position.
3. The lever to tilt the steering wheel is under the steering column in the middle. Pull this lever toward you and hold it.

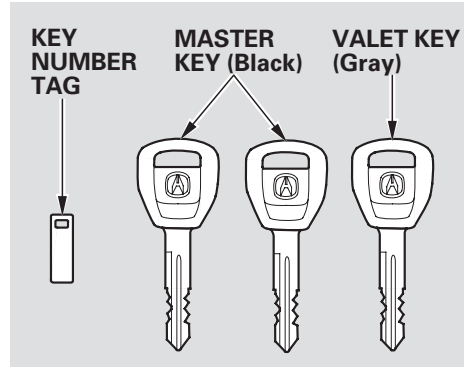
CONTINUED

Steering Wheel Adjustment, Keys



4. Move the steering wheel so it points toward your face. Make sure you can see the instrument panel gauges and the indicators. Release the lever.
5. Make sure you have securely locked the steering wheel in place by trying to move it up, down, in, and out.

Keys



The master key fits all the locks on your vehicle. The valet key works only in the ignition and the door locks. You can keep the trunk and glove box locked when you leave your vehicle and the valet key at a parking facility.

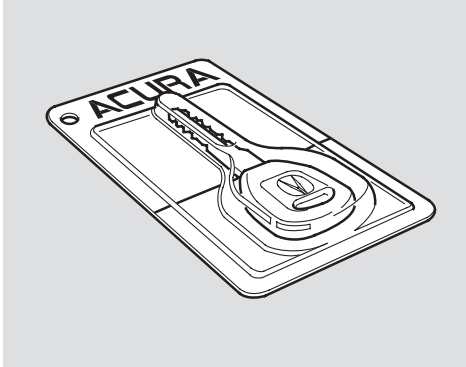
You should have received a key number tag with your keys. You will need this key number if you ever have to get a key replaced. Use only an Acura-approved key blank.

These keys contain electronic circuits that are activated by the Immobilizer System. They will not work to start the engine if the circuits are damaged.

- Protect the keys from direct sunlight, high temperature, and high humidity.
- Do not drop the keys or set heavy objects on them.
- Keep the keys away from liquids. If they get wet, dry them immediately with a soft cloth.

The keys do not contain batteries. Do not try to take them apart.

Learning Key



You should also receive a small case containing a learning key. It is used by the Acura dealer to code replacement keys to your vehicle's Immobilizer System. It must not be used in your vehicle's ignition switch. Store the learning key with the key number tag in a safe place.

If you attempt to use the learning key to start your vehicle's engine, it may cause a malfunction in the system that makes your master and valet keys unusable. If this happens, you should contact your Acura dealer.

Immobilizer System

The Immobilizer System protects your vehicle from theft. If an improperly-coded key (or other device) is used, the engine's fuel system is disabled.

When you turn the ignition switch to ON (II), the Immobilizer System indicator should come on for a few seconds, then go out. If the indicator starts to blink, it means the system does not recognize the coding of the key. Turn the ignition switch to LOCK (0), remove the key, reinsert it, and turn the switch to ON (II) again.

The system may not recognize your key's coding if another immobilizer key or other metal object (i.e. key fob) is near the ignition switch when you insert the key.

CONTINUED

Immobilizer System

If the system repeatedly does not recognize the coding of your key, contact your Acura dealer.

Do not attempt to alter this system or add other devices to it. Electrical problems could result that may make your vehicle undriveable.

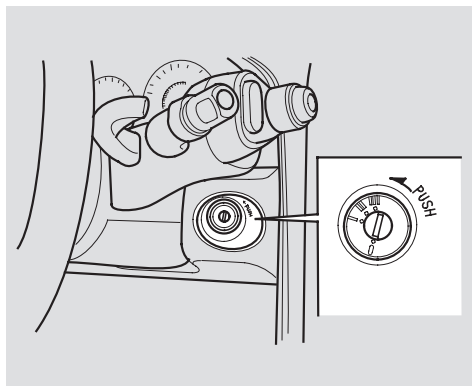
If you have lost your key and cannot start the engine, contact an Acura dealer.

As required by the FCC:

This device complies with Part 15 of the FCC rules. Operation is subject to the following two conditions: (1) This device may not cause harmful interference, and (2) this device must accept any interference received, including interference that may cause undesired operation.

Changes or modifications not expressly approved by the party responsible for compliance could void the user's authority to operate the equipment.

This device complies with Industry Canada Standard RSS-210. Operation is subject to the following two conditions: (1) this device may not cause interference, and (2) this device must accept any interference that may cause undesired operation of the device.



The ignition switch has four positions: LOCK (0), ACCESSORY (I), ON (II), and START (III).

LOCK (0) – You can insert or remove the key only in this position. To turn the key, you must push the key in slightly. If your vehicle has an automatic transmission, the shift lever must also be in park.

If the front wheels are turned, the anti-theft lock may make it difficult to turn the key. Firmly turn the steering wheel to the left or right as you turn the key.

ACCESSORY (I) – You can operate the audio system and the cigarette lighter in this position.

ON (II) – This is the normal key position when driving. Several of the indicators on the instrument panel come on as a test when you turn the ignition switch from ACCESSORY to ON.

START (III) – Use this position only to start the engine. The switch returns to ON (II) when you let go of the key.

You will hear a reminder beeper if you leave the key in the ignition switch in the LOCK (0) or ACCESSORY (I) position and open the driver's door. Remove the key to turn off the beeper.

If your vehicle has an automatic transmission, the shift lever must be in Park before you can remove the key from the ignition switch.

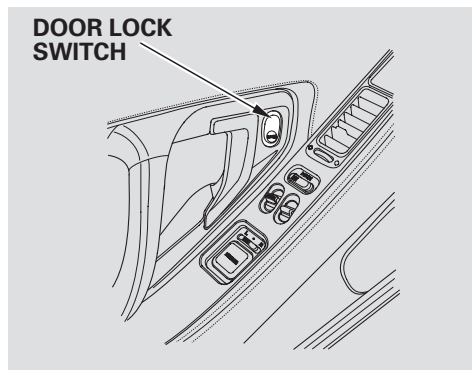
⚠ WARNING

Removing the key from the ignition switch while driving locks the steering. This can cause you to lose control.

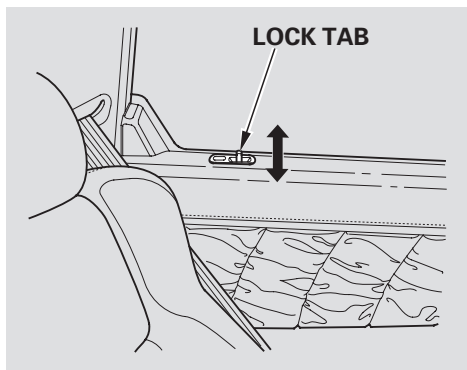
Remove the key from the ignition switch only when parked.

Door Locks

Power Door Locks



The driver's door has a door lock switch that locks and unlocks both doors. Push LOCK to lock both doors, and pull up the top portion of the switch to unlock them.



Each door also has a lock tab on the top. When you push down the lock tab on the driver's door, both doors lock. Pulling up the lock tab on the driver's door only unlocks that door. The lock tab on the passenger's door only locks and unlocks that door. To get out of the vehicle, pull each lock tab up or use the door lock switch before you open either door.

Both doors will lock when you use the key to lock either door from the outside. Unlocking the driver's door with the key unlocks only that door. Unlocking the passenger's door with the key unlocks both doors.

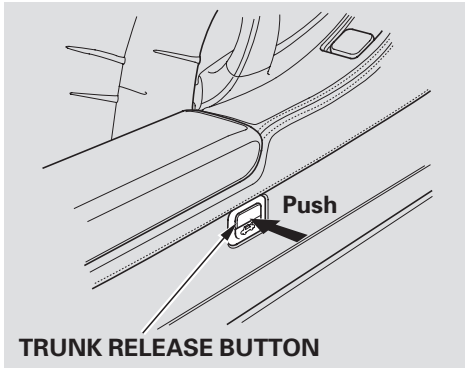
To lock the door without the key, push the lock tab down and close the door.

Lockout Prevention

If you forget and leave the key in the ignition switch, Lockout Prevention will not allow you to lock the driver's door. With the driver's door open and the key in the ignition, both door lock switches are disabled.

If you try to lock an open driver's door by pushing the lock tab down, the tabs on both doors pop up. Pushing the lock tab down on the passenger's door only locks that door.

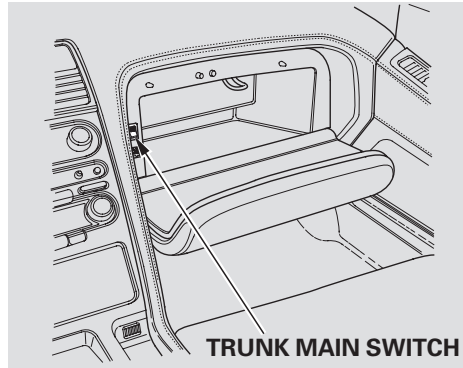
Trunk



To open the trunk, press the trunk release button on the driver's door. You can also use the master key to open the trunk lock.

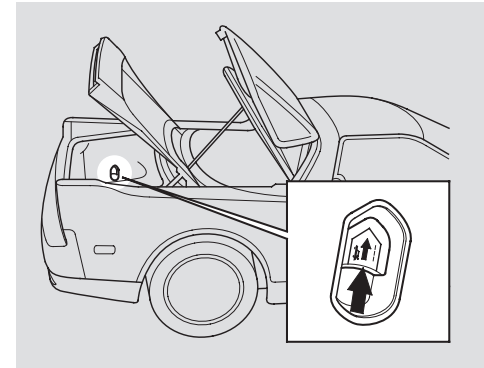
To close the trunk, press down on the trunk lid. Do not press down on the rear spoiler as you may damage it.

Keep the trunk lid closed at all times while driving to avoid damaging it.



To protect items in the trunk when you need to give the key to someone else, disable the trunk release button by turning off the trunk main switch in the glove box, lock the glove box with the master key, and give the other person the valet key.

Emergency Trunk Opener

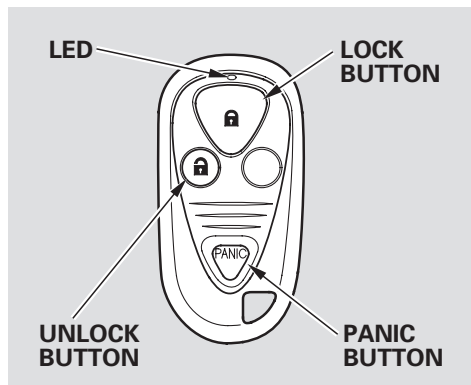


As a safety feature, your vehicle has a release lever on the trunk latch so the trunk can be opened from the inside.

To open the trunk, push up the release lever.

Parents should decide if their children should be shown how to use this feature.

Remote Transmitter



LOCK — Press this button once to lock both doors. Some exterior and interior lights will flash. When you push LOCK twice within 5 seconds, you will hear a beep to verify that the doors are locked and the security system has set.

UNLOCK — Press this button once to unlock the driver's door. Push it twice to unlock also the passenger's door.

The interior light (if the interior light switch is in the center position) will come on when you press the UNLOCK button. If you do not open either door, the light will go out in about 30 seconds and the doors will relock. If you relock the doors with the remote transmitter before 30 seconds have elapsed, the light will go off immediately.

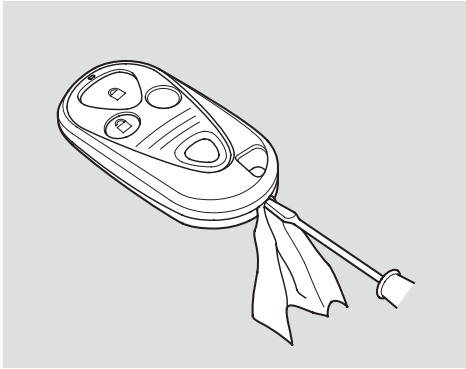
You cannot lock or unlock the doors with the remote transmitter if either door is not fully closed or the key is in the ignition switch.

PANIC — Press this button for about one second to attract attention: the horn will sound and the exterior lights will flash for about 30 seconds. To cancel panic mode, press any other button on the remote transmitter or turn the ignition switch to ON (II).

Remote Transmitter Care

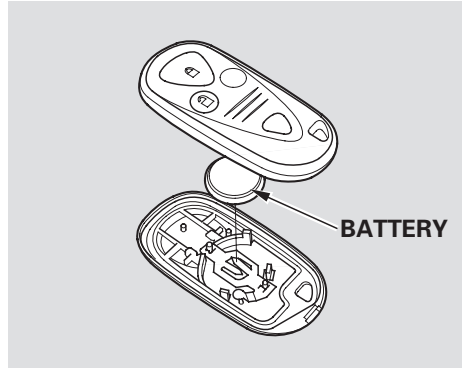
- Avoid dropping or throwing the transmitter.
- Protect the transmitter from extreme temperature.
- Do not immerse the transmitter in any liquid.
- If you lose a transmitter, the replacement needs to be reprogrammed by your Acura dealer.

Replacing the Transmitter Battery



If it takes several pushes on the button to lock or unlock the doors, replace the battery as soon as possible.

Battery type: CR2025



To replace the battery, place a cloth on the edge of the transmitter and remove the upper half by carefully prying on the edge with a small flat-tip screwdriver.

Remove the old battery and insert a new battery with the — side facing up. Snap the two halves of the transmitter case back together.

As required by the FCC:

This device complies with Part 15 of the FCC rules. Operation is subject to the following two conditions: (1) This device may not cause harmful interference, and (2) this device must accept any interference received, including interference that may cause undesired operation.

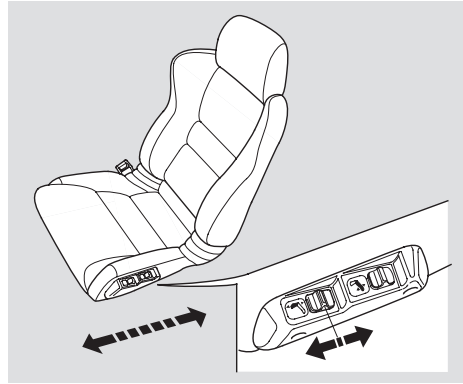
Changes or modifications not expressly approved by the party responsible for compliance could void the user's authority to operate the equipment.

This device complies with Industry Canada Standard RSS-210.

Operation is subject to the following two conditions: (1) this device may not cause interference, and (2) this device must accept any interference that may cause undesired operation of the device.

Seats

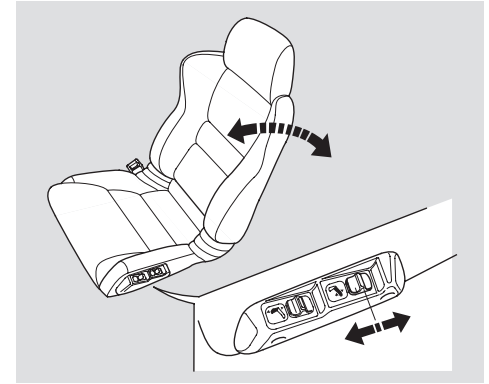
See pages 10 – 11 for important safety information and warnings about how to properly position seats and seat-backs.



Adjust the seat before you start driving.

The power seats in your vehicle are adjusted with the two switches on the outside of the seat bottom.

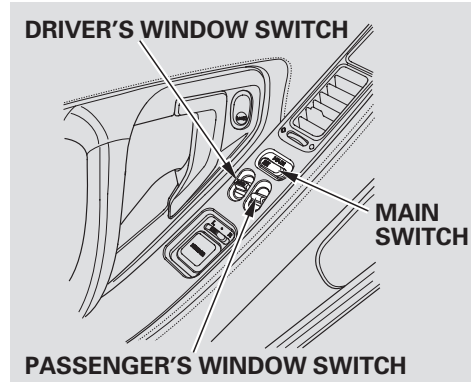
Push the front switch forward or backward to adjust the distance to the steering wheel and pedals.



Adjust the seat-back angle by pushing the rear switch in the direction you want to move.

You can adjust the power seats with the ignition switch in any position.

Your vehicle's windows are electrically-powered. Turn the ignition switch to ON (II) to raise or lower any window.



Each window has its own control switch. To open the window, push the switch down and hold it. Release the switch when you want the window to stop. Close the window by pushing the switch up and holding it.

The driver's armrest has a master power window control panel. To open the passenger's window, push down on the switch and hold it until the window reaches the desired position. To close the window, push up on the window switch. Release the switch when the window gets to the position you want.

⚠ WARNING

Closing a power window on someone's hands or fingers can cause serious injury.

Make sure your passenger is away from the window before closing it.

CONTINUED

Power Windows

The master control panel also contains these extra features:

AUTO – To open the driver’s window fully, push the window switch firmly down and release it. The window automatically goes all the way down. To stop the window from going all the way down, push the window switch up briefly.

To open the driver’s window only partially, push the window switch down lightly and hold it. The window will stop as soon as you release the switch.

The AUTO function only works to lower the driver’s window. To raise the window, you must push the window switch up and hold it until the window reaches the desired position.

The MAIN switch controls power to the passenger’s window. With this switch off, the passenger’s window cannot be raised or lowered. The MAIN switch does not affect the driver’s window. Keep the MAIN switch off when you have a child in the vehicle so the child does not get injured by operating the window unintentionally.

The power window system has a key-off delay function. The windows will still operate for up to ten minutes after you turn off the ignition. Opening either door cancels the delay function. You must turn the ignition switch ON (II) again before you can raise or lower the windows.

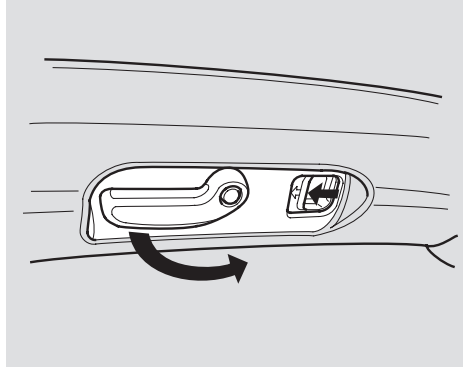
Your Acura's roof panel has a single release handle on each side, making it easy to remove and install. When not in use, the roof panel can be stored in a special holder under the rear window.

Always clean and dry the roof panel before you remove it so dirt and water do not fall in the interior and engine compartment.

Do not put any items other than the roof panel in the roof holder or you can damage the roof holder.

One person should be able to remove and install the roof panel. Although the panel is not heavy, you may find it awkward to handle because of its size. If so, get someone to assist you so you do not damage the panel.

Removing and Storing



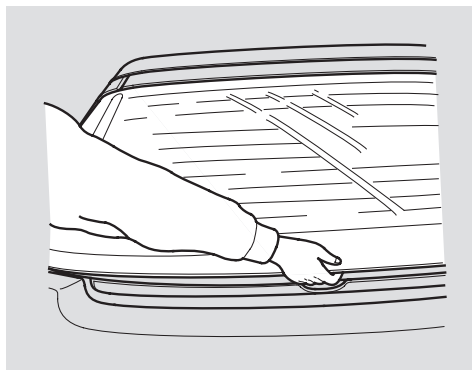
1. Open both windows.
2. Turn off the engine and set the parking brake.
3. Release each side of the roof by pushing the lock tab sideways and pulling down the release lever.



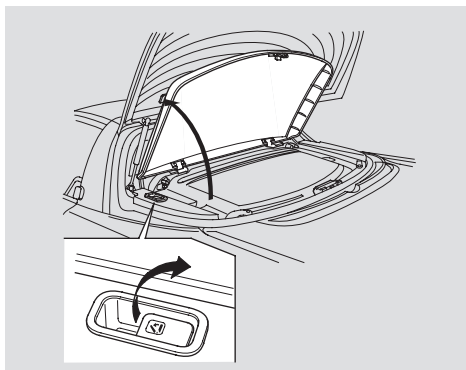
4. Open the door. Locate the rear window release handle on the rear of the driver's door opening, next to the seat. Pivot this handle towards the driver's seat. The rear window will pop up slightly.

CONTINUED

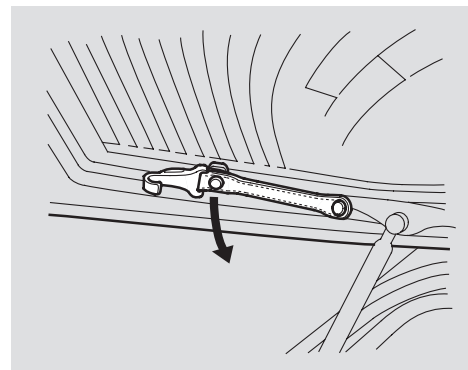
Removable Roof Panel



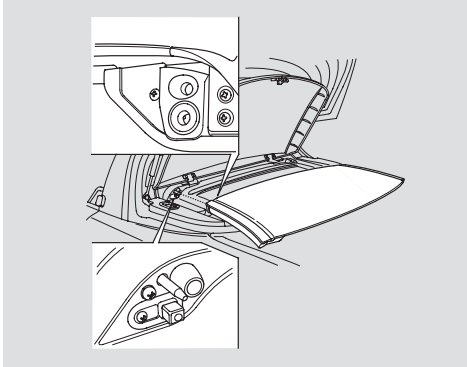
5. Stand just behind the driver's door. Reach under the rear edge of the window and raise it. It will stay up by itself.



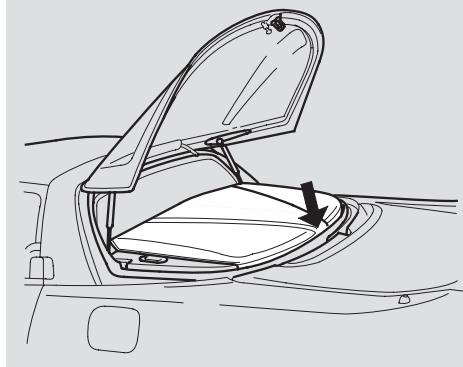
6. Pull up the roof cover release lever and raise the roof cover.



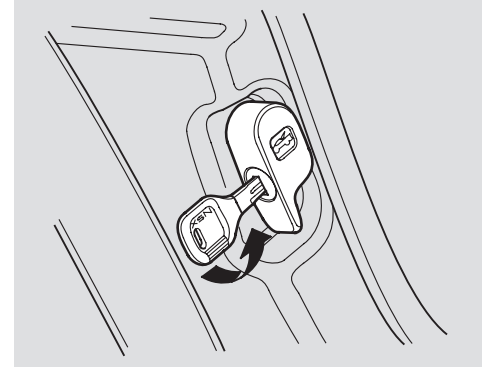
7. Unsnap the hook end of the strap from the rear window frame.
8. Put the hook around the edge of the roof cover to hold it up.



9. Lift the roof straight up off the vehicle. Since the roof must go in the holder backwards, it is recommended that you carry it around to the opposite side of the vehicle.
10. Place the roof in the holder with the rear facing forward. Make sure the pins at both front corners of the holder are in the holes in the roof panel.



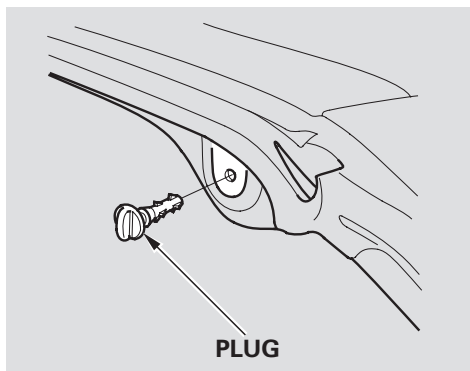
11. Lower the roof cover and push it down until it latches. Snap the hook on the window frame.
12. Pull the rear window down until it is resting on the body, then push on the center of the back edge until it latches. Make sure it is securely closed before driving away.



To prevent anyone from getting to the roof panel and the engine when you park the vehicle with the roof removed, lock the rear window release lever with the master key.

CONTINUED

Removable Roof Panel



If the wind noise is unpleasant while you are driving with the roof panel removed, you can reduce the noise by inserting a plug in the hole located at each side of the rear roof pillar. These plugs are stored in the glove box.

Do not use any plugs other than the ones that came with your vehicle. Other objects may damage the mechanism in the roof pillar, causing

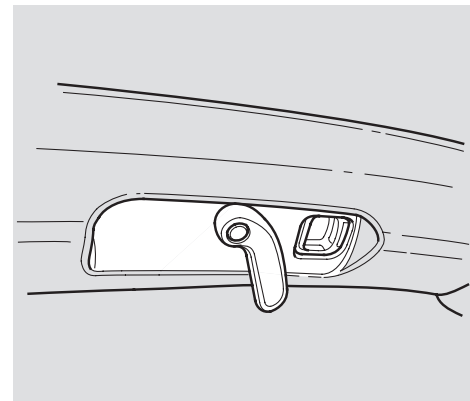
the roof panel mechanism to jam or to not latch the roof properly.

Installing

Because it is stored above the engine compartment, the roof panel can get hot while driving. Allow it to cool down for several minutes before attempting to remove it from the roof holder.

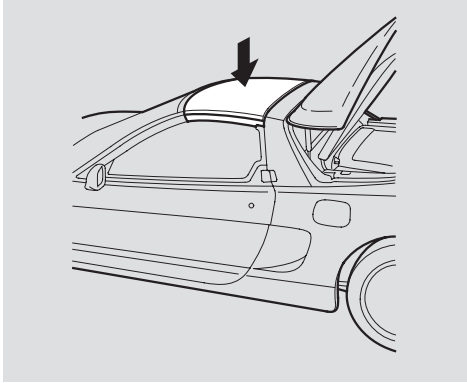
1. Open both windows.
2. Turn off the engine and set the parking brake.
3. Remove the plugs from the rear pillars.
4. Open the rear window (see page 66).
5. Open the roof cover by pulling up the release lever. Unsnap the hook from the window frame and use it to hold up the roof cover.

6. Remove the roof from the holder by pulling it up slightly, then back.

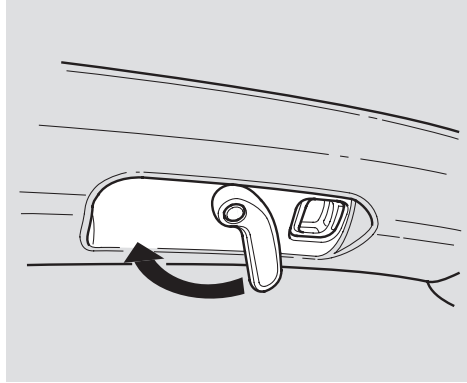


7. Make sure the roof panel release levers are in the unlocked (down) position.

Removable Roof Panel



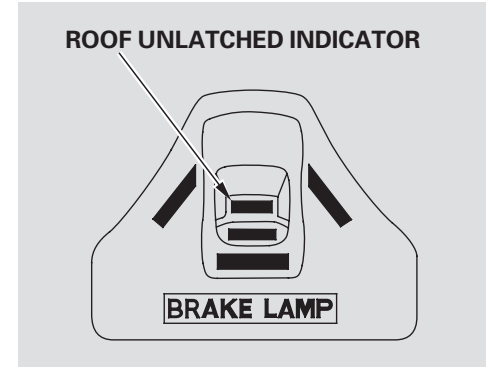
8. Set the roof in place on the vehicle. Make sure all four corners are sitting flush with the vehicle body.



9. Secure the roof by turning each release lever until the lock tab clicks forward. Pull on the levers to make sure they are locked. If the release levers are locked correctly, the roof unlatched indicator will not light when you turn the ignition ON (II).

10. Close the roof cover and snap the hook onto the window frame. Close the rear window.

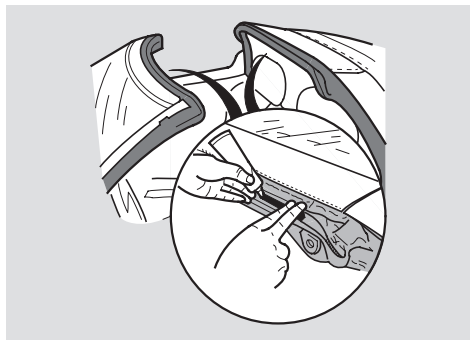
Roof Unlatched Indicator



This indicator lights when the roof is installed if either release lever is not fully locked. Check both release levers to make sure they are locked. This indicator also lights when the roof is removed but is not properly stored in the holder.

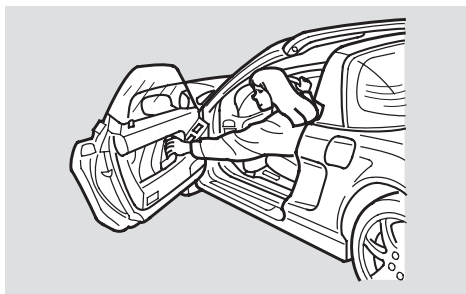
Removable Roof Panel

Maintenance



Dust is the main cause of creaks or other sounds coming from the roof. Regularly clean the roof panel and body seals with glass cleaner and a soft cloth.

Every three to six months, depending on how often the roof is removed, rub a thin film of Shin-Etsu Silicone grease (available from your Acura dealer, P/N 08798-9013) onto the seals wherever they touch the roof panel or each other.



To reduce the possibility of leaks:

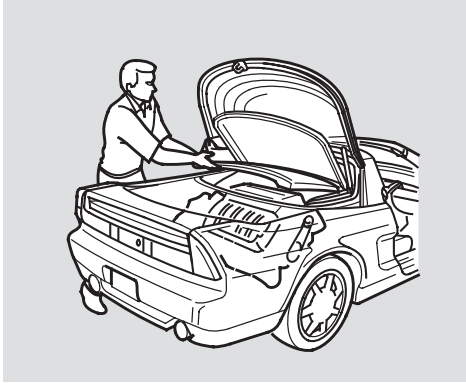
- Use the door pull to open and close the door. Do not push or pull on the door glass.



- Do not lean or sit on an open door.

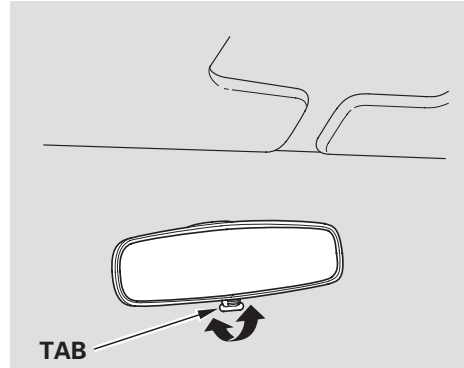


- The roof panel seals are designed to promote the flow of water off the roof. Spraying high pressure water directly on the seals can distort them, causing a leak. Use only a low pressure water stream when using a hose, and avoid car washes that use only high pressure water spray for cleaning.
- Avoid getting water in the roof holder. This can damage the switch that senses the roof is stored, causing the instrument panel light to stay on.



- When the seals are new, the glass will seal more tightly if you open the door slightly before closing the window.
- Never store any items other than the roof panel in the holder. Because it is above the engine, the holder can get very warm.

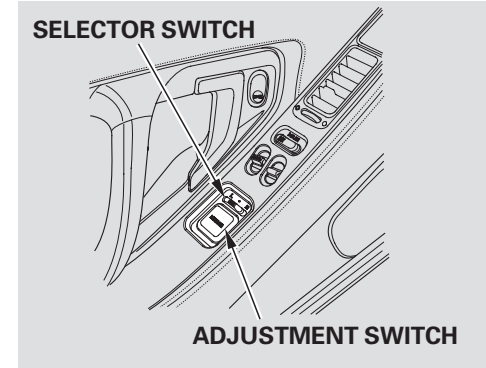
Mirrors



Keep the inside and outside mirrors clean and adjusted for best visibility. Be sure to adjust the mirrors before you start driving.

The inside mirror has day and night positions. The night position reduces glare from headlights behind you. Flip the tab on the bottom edge of the mirror to select the day or night position.

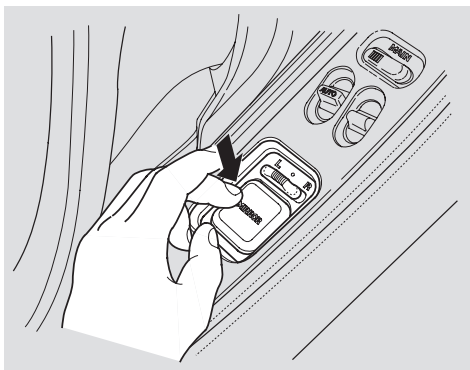
Adjusting the Power Mirrors



1. Move the selector switch to L (driver's side) or R (passenger's side).

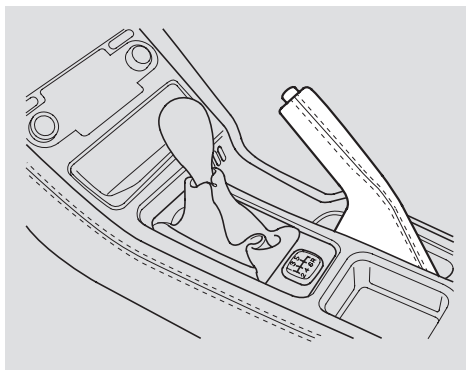
CONTINUED

Mirrors, Parking Brake



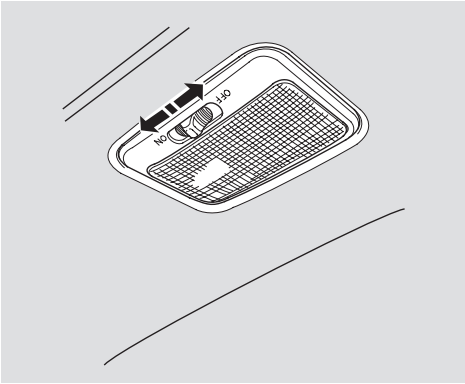
2. Push the appropriate edge of the adjustment switch to move the mirror right, left, up, or down.
3. When you finish, move the selector switch to the center (off) position. This turns off the adjustment switch so you can't move a mirror out of position by accidentally bumping the switch.

Parking Brake



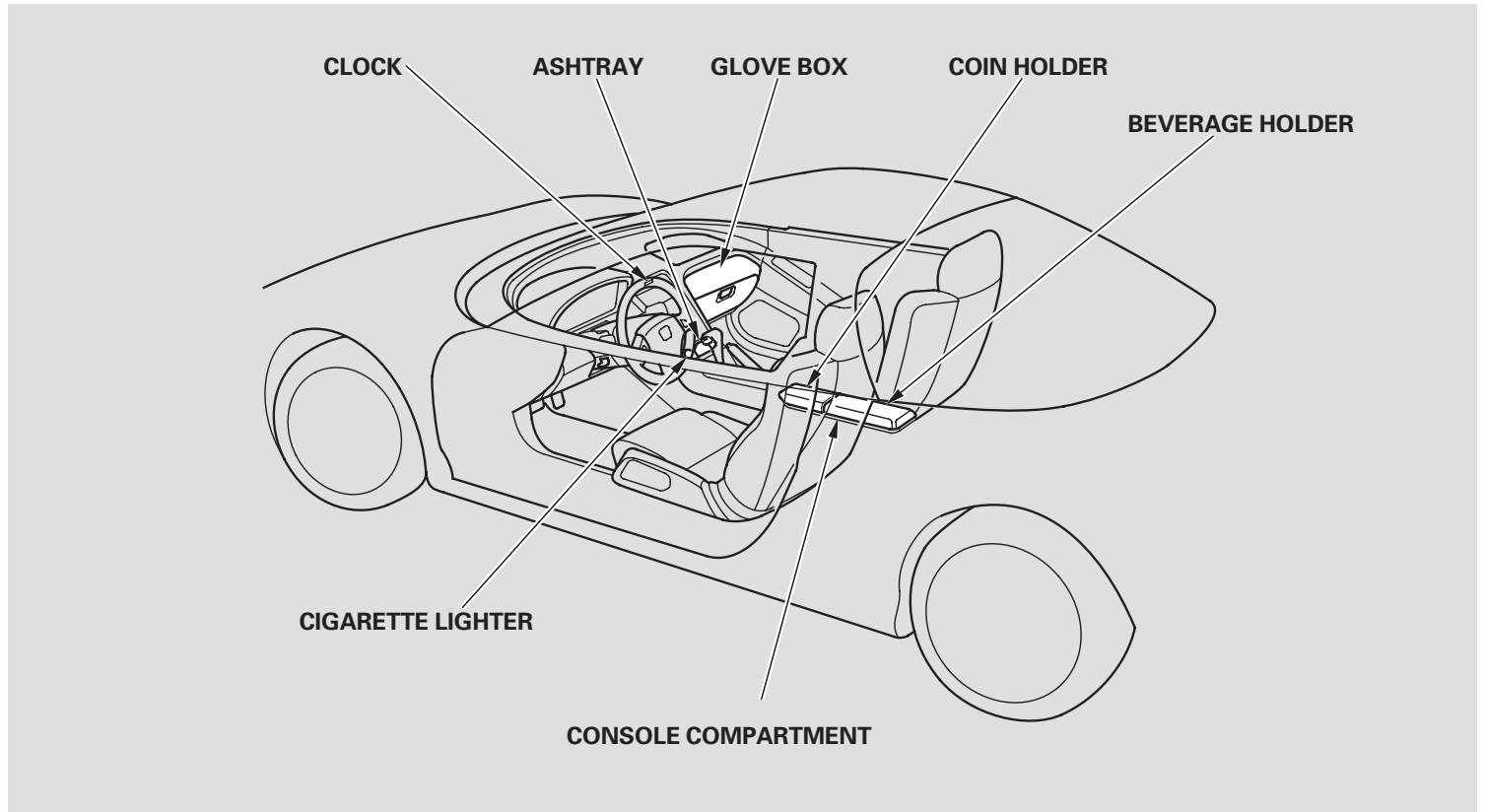
To apply the parking brake, pull the lever up fully. To release it, pull up slightly, push the button, and lower the lever. The parking brake indicator on the instrument panel should go out when the parking brake is fully released (see page 44). If you try to drive the vehicle without releasing the parking brake, the ABS indicator may come on, and the ABS may not work properly.

NOTICE: *Driving the vehicle with the parking brake applied can damage the rear brakes and axles.*



The interior light has a three-position switch. In the OFF position, the light does not come on. In the center position, the interior light comes on when you open either door. In the ON position, the interior light stays on continuously.

Interior Convenience Item



Console Compartment

To open the console compartment, lift the tab on the left edge.

Coin Holder

The coin holder is located in the left front half of the console compartment lid. Open the coin holder by lifting up on the middle of the armrest.

Beverage Holder

The beverage holder is located in the rear half of the console compartment lid. To use the beverage holder, lift up on the middle of the armrest pad.

Be careful when you are using the beverage holders. Spilled liquid that is very hot can scald you or your passengers. Spilled liquids can also damage the upholstery, carpeting, and electrical components in the interior.

Cigarette Lighter

The ignition switch must be in ACCESSORY (I) or ON (II) for the cigarette lighter to work. To heat up the lighter, push it in. It will pop up when it is ready for use. Do not hold the lighter in while it is heating up, you could cause it to overheat.

Ashtray

Open the ashtray by lifting the lid up. To close the ashtray, push the lid down. To remove it for emptying, lift the lid up to the open position, and push it up further. The ashtray will pop out slightly so you can grasp it and pull it all the way out. After emptying, push it all the way back in.

NOTICE: *Use the ashtray only for cigarettes, cigars, and other smoking materials. To prevent a possible fire and damage to your vehicle, don't put paper or other things that can burn in the ashtray.*

Interior Convenience Item

Glove Box

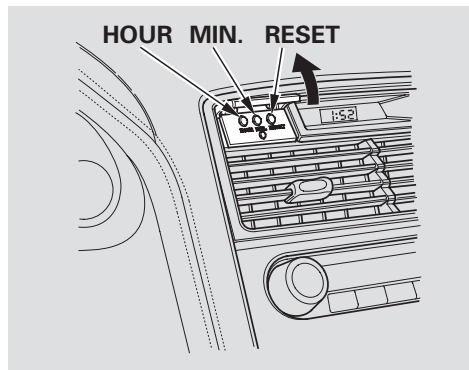
Open the glove box by squeezing the handle. Close it with a firm push. Lock or unlock the glove box with the master key.

⚠ WARNING

An open glove box can cause serious injury to your passenger in a crash, even if the passenger is wearing the seat belt.

Always keep the glove box closed while driving.

Clock



The clock displays the time with the ignition switch ON (II). To see the time with the ignition off, press and hold the DISPLAY button.

To set the clock:

1. Turn the ignition switch to ON (II).
2. Raise the lid to the left of the clock display. You will see HOUR, MIN., and RESET buttons.

3. Press and hold the H button until the hour advances to the desired time.
4. Press and hold the MIN. button until the numbers advance to the desired time.

You can use the RESET button to quickly set the time to the nearest hour. If the displayed time is before the half hour, pressing the RESET button sets the clock back to the previous hour. If the displayed time is after the half hour, pressing the RESET button sets the clock forward to the beginning of the next hour.

For example:

- 1:06 would RESET 1:00
- 1:52 would RESET 2:00

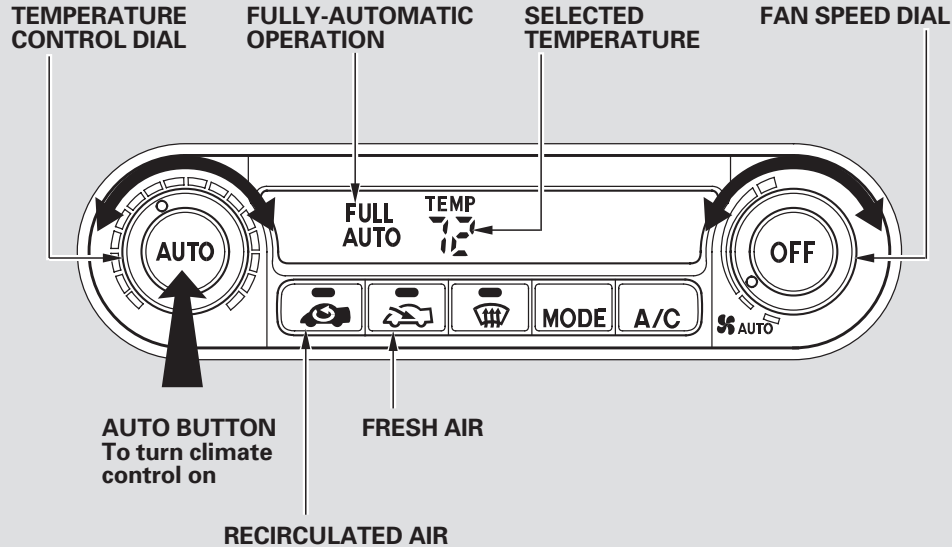
Comfort and Convenience Features

The climate control system in your Acura provides a comfortable driving environment in all weather conditions.

The standard audio system has many features. This section describes those features and how to use them. (If you selected an optional audio system, refer to the operating instructions that came with it.)

Vents, Heating, and A/C	78
Airflow Buttons.....	79
Climate Control.....	82
Playing the Radio.....	84
Radio Reception	87
Playing a Tape.....	89
CD Changer.....	93
Protecting Your CDs.....	97
CD Changer Error Messages	98
Security System	99
Cruise Control.....	100

Vents, Heating, and A/C



U.S. model shown

Fan Control Dial

Turn this dial clockwise to increase fan speed and increase the airflow.

Temperature Control Dial

Turning this dial clockwise increases the temperature of the airflow.


Air Conditioning (A/C) Button


This button turns the air conditioning on and off. You will see ON or OFF in the display.

When you turn the A/C off, the system cannot regulate the inside temperature if you set the dial below the outside air temperature.

Recirculation/Fresh Air Buttons

These buttons control the source of the air going into the system.

When the  is pressed, the indicator in the button comes on and air is brought in from outside the vehicle (Fresh Air mode).

When  is pressed, the indicator in the button comes on and the air from the vehicle's interior is sent throughout the system again (Recirculation mode).


The outside air intakes for the heating and cooling system are at the base of the windshield. Keep this area clear of leaves and other debris.


The system should be left in Fresh Air mode under almost all conditions. Keeping the system in Recirculation mode, particularly with the A/C off, can cause the windows to fog up.

Switch to Recirculation mode when driving through dusty or smoky conditions, then return to Fresh Air mode.


Mode Control Button

Use the MODE button to select the vents the air flows from. Some air will flow from the dashboard corner vents in all modes. Each time you press the MODE button, the display shows the mode selected. Press the button four times to see all of the modes.

 Air flows from the dashboard and door vents. Close the door vents when using the air conditioning or the windows may fog up.


 Airflow is divided between the dashboard/door vents and the floor vents.

 Air flows from the floor vents.

 Airflow is divided between the floor vents and the defroster vents at the base of the windshield.


Vents, Heating, and A/C

Windshield Defroster Button

When  button is pressed, the indicator in the button comes on and the air flows from the defroster vents at the base of the windshield. This overrides any MODE selection you may have made.

Ventilation

The flow-through ventilation system draws in outside air, circulates it through the interior, then exhausts it through vents behind the seat-backs.

1. Set the temperature to maximum.
2. Make sure the A/C is off.
3. Select  and Fresh Air mode.
4. Set the fan to the desired speed.

Using the Heater

The heater uses engine coolant to warm the air. If the engine is cold, it will be several minutes before you feel warm air coming from the system.

1. Select  and Fresh Air mode.
2. Set the fan to the desired speed.
3. Adjust the warmth of the air with the temperature control dial.

Using the A/C

Air conditioning places an extra load on the engine. Watch the engine coolant temperature gauge (see page 47). If it moves near the red zone, turn off the A/C until the gauge reads normally.

1. Turn on the A/C by pressing the button. You will see A/C ON in the display.
2. Make sure the temperature is set to maximum high.

3. Select  .

4. If the outside air is humid, select Recirculation mode. If the outside air is dry, select Fresh Air mode.

5. Set the fan to the desired speed.

If the interior is very warm, you can cool it down more rapidly by partially opening the windows, turning on the A/C, and setting the fan to maximum speed in Fresh Air mode.

Dehumidify the Interior



Air conditioning, as it cools, removes moisture from the air. When used in combination with the heater, it makes the interior warm and dry.

1. Switch the fan on.
2. Turn on the air conditioning.
3. Select  and Fresh Air mode.
4. Adjust the temperature to your preference.

This setting is suitable for all driving conditions whenever the outside temperature is above 32° F (0° C).

To Defog and Defrost

To remove fog from the inside of the windows:

1. Set the fan to the desired speed.
2. Turn on the air conditioning.
3. Select the Fresh Air mode.
4. Press the  button.
5. Adjust the temperature so the airflow feels warm.
6. Select  to help clear the rear window.

To Remove Exterior Frost or Ice From the Windows

1. Press the  button.
2. Turn on the air conditioning.
3. Select .
4. Set the fan and temperature controls to maximum level.

To clear the windows faster, you can close the vents on top of each door and in each armrest by rotating the wheel next to them. This will send more warm air to the windshield defroster vents. Once the windshield is clear, select the Fresh Air mode to avoid fogging the windows.

For your safety, make sure you have a clear view through all the windows before driving.

Climate Control

Using Automatic Climate Control

The Automatic Climate Control system can adjust the fan speed and airflow levels to maintain the interior temperature you select.

1. Press the AUTO button.
2. Set the desired temperature by turning the temperature control dial. You will see FULL AUTO in the system's display.

The system automatically selects the proper mix of conditioned and/or heated air that will, as quickly as possible, raise or lower the interior temperature to your preference.

When you set the temperature to its lower or its upper limit, the system runs at full cooling or heating only. It does not regulate the interior temperature.

In cold weather, the fan will not come on automatically until the heater starts to develop warm air.

Semi-automatic Operation

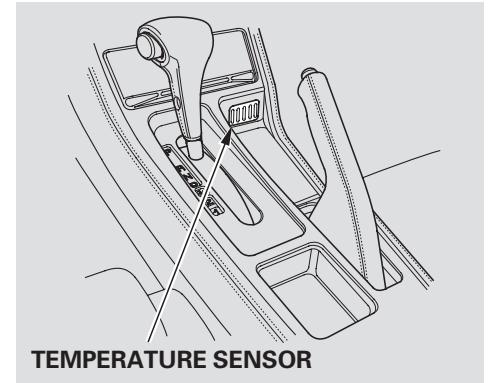
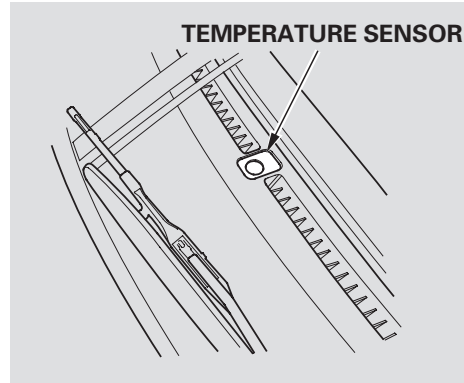
You can manually select various functions of the Climate Control system when it is in fully automatic mode. All other features remain automatically controlled. Making any manual selection causes the word FULL in the display to go out.

To Turn Everything Off

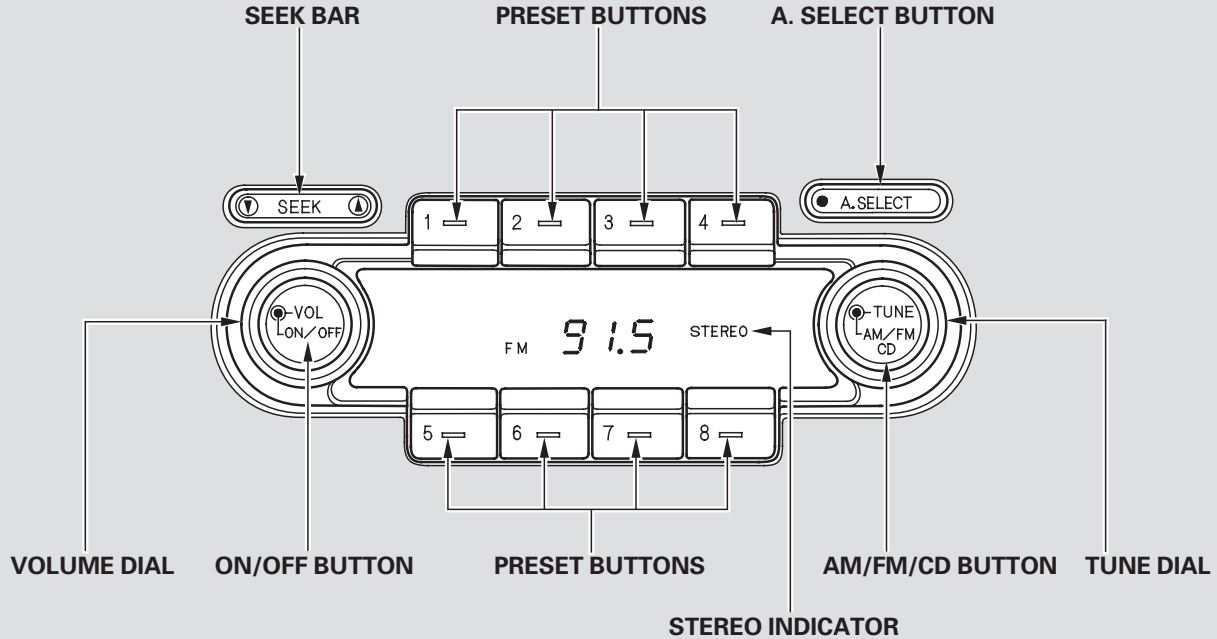
Press the OFF button. However, a lack of air flow can cause the windows to fog up. It is recommended that you keep the fan on at all times so stale air and moisture do not build up in the interior and cause fogging.

Temperature Sensors

The climate control system has temperature sensors located on the dashboard and in the center console. Do not cover these sensors or spill any liquid on them.



Playing the Radio



To Play the Radio

The ignition switch must be in the ACCESSORY (I) or ON (II) position. Turn the system on by pushing the ON/OFF button. The power antenna will extend.

Adjust the volume by turning the VOL dial (outside ring of the left knob).

The band and frequency that the radio was last tuned to is displayed. To change bands, press the AM/FM button. On the FM band, STEREO will be displayed if the station is broadcasting in stereo. Stereo reproduction in AM is not available.

To Select a Station

You can use any of four methods to find radio stations on the selected band: **TUNE**, **SEEK**, the preset buttons, and **AUTO SELECT**.

TUNE — Use the TUNE dial (outside ring of the right knob) to tune the radio to a desired frequency. Turn the dial right to tune to a higher frequency, or left to tune to a lower frequency.

SEEK — The SEEK function searches up and down from the current frequency to find a station with a strong signal. To activate it, press the ▲ or ▼ side of the bar, then release it.

Preset — You can store eight stations on each band.

1. Select the desired band, AM or FM.
2. Use the TUNE or SEEK function to tune the radio to a desired station.
3. Pick a preset button, and hold it until you hear a beep.
4. Repeat steps 1 to 3 to store a total of eight stations on both AM and FM band.

The preset frequencies will be lost if your vehicle's battery goes dead, is disconnected, or the radio fuse is removed.

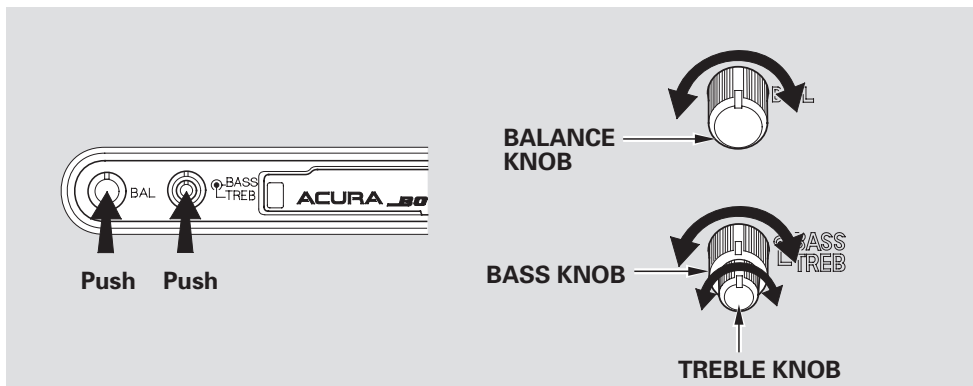
Playing the Radio

AUTO SELECT – If you are traveling far from home and can no longer receive your preset stations, you can use the Auto Select feature to find stations in the local area.

Press the A. SELECT Button. The system goes into scan mode for several seconds. It stores eight of the strongest stations on each band in the preset buttons.

If you do not like the stations Auto Select has stored, you can store other frequencies on the preset buttons. Use the TUNE or SEEK functions to find stations, then store them in the preset buttons as described.

To turn off Auto Select, press the A. SELECT button. This restores the presets you originally set.



Adjusting the Sound

Use the TREBLE and BASS knobs to adjust the tone quality to your liking. Push on the TREBLE knob to get both to pop out. The outside ring changes the bass level and the inner knob changes the treble level.

The BAL control adjust the sound balance between the speakers. Push on the knob so it pops out. Adjust the side-to-side balance as desired.

When you have finished the adjustments, push the knobs back in so there is less chance of accidentally changing your settings.

Audio System Lighting

You can use the instrument panel brightness control dial to adjust the illumination of the audio system (see page 52). The audio system illuminates when the parking lights are on, even if the radio is off.

Radio Frequencies

Your Acura's radio can receive the complete AM and FM bands. Those bands cover these frequencies:

AM band:

530 to 1,710 kilohertz

FM band:

87.7 to 107.9 megahertz

Radio stations on the AM band are assigned frequencies at least ten kilohertz apart (530, 540, 550). Stations on the FM band are assigned frequencies at least 0.2 megahertz apart (87.9, 88.1, 88.3).

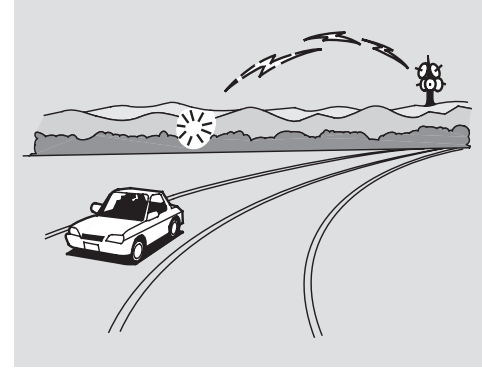
Stations must use these exact frequencies. It is fairly common for stations to round-off the frequency in their advertising, so your radio could display a frequency of 100.9 even though the announcer may identify the station as "FM101."

Radio Reception

How well your Acura's radio receives stations is dependent on many factors, such as the distance from the station's transmitter, nearby large objects, and atmospheric conditions.

A radio station's signal gets weaker as you get farther away from its transmitter. If you are listening to an AM station, you will notice the sound volume becoming weaker, and the station drifting in and out. If you are listening to an FM station, you will see the stereo indicator flickering off and on as the signal weakens. Eventually, the stereo indicator will

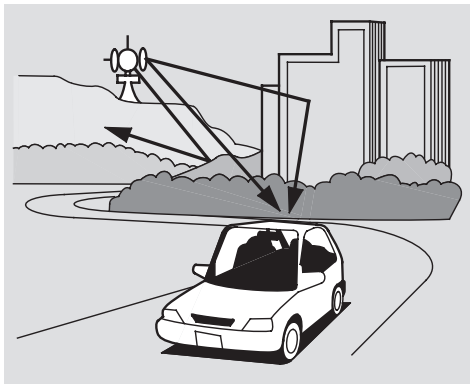
go off and the sound will fade completely as you get out of range of the station's signal.



Driving very near the transmitter of a station that is broadcasting on a frequency close to the frequency of the station you are listening to can also affect your radio's reception. You may temporarily hear both stations, or hear only the station you are close to.

CONTINUED

Radio Reception



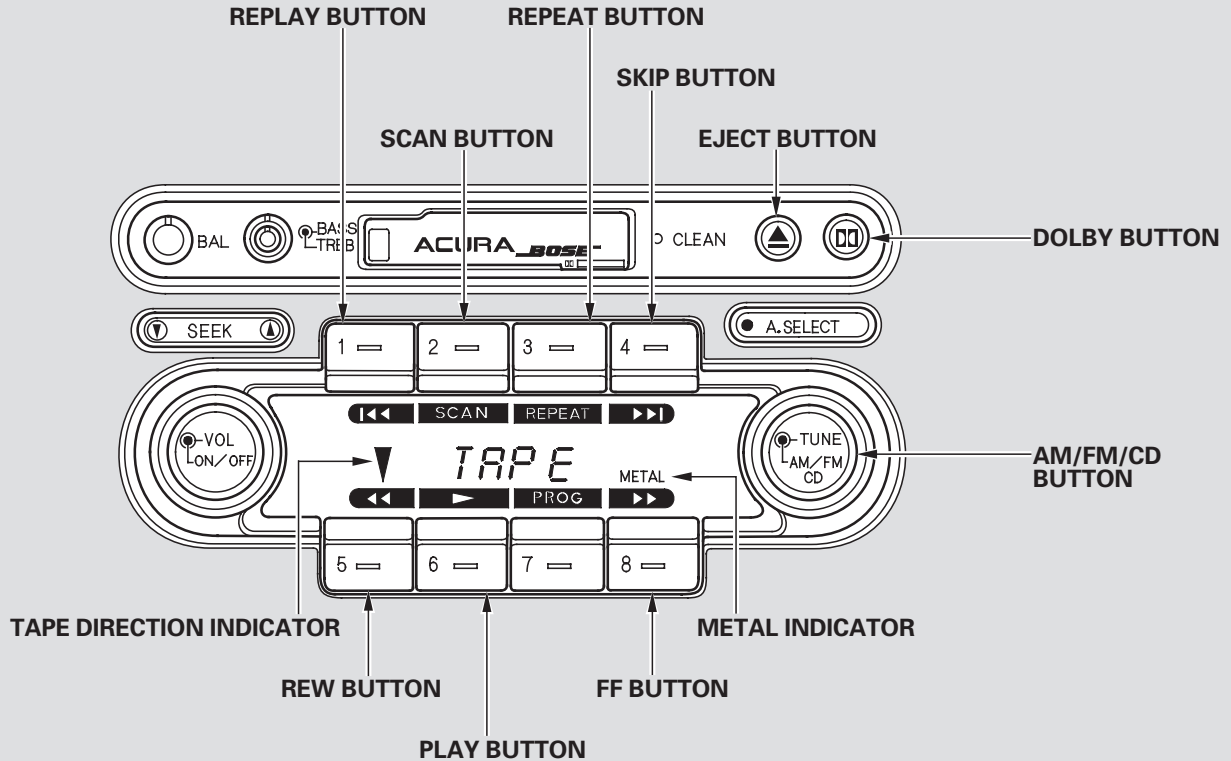
Radio signals, especially on the FM band, are deflected by large objects such as buildings and hills. Your radio then receives both the direct signal from the station's transmitter, and the deflected signal. This causes the sound to distort or flutter. This is a main cause of poor radio reception in city driving.



Radio reception can be affected by atmospheric conditions such as thunderstorms, high humidity, and even sunspots. You may be able to receive a distant radio station one day and not receive it the next day because of a change in conditions.

Electrical interference from passing vehicles and stationary sources can cause temporary reception problems.

*As required by the FCC:
Changes or modifications not expressly
approved by the party responsible for
compliance could void the user's
authority to operate the equipment.*




Playing a Tape

To Play a Tape

Make sure the radio is ON. Insert the cassette with the open side of the tape facing right. Push the tape most of the way into the slot. The system will pull the tape in the rest of the way, and begin to play it.

The tape direction indicator will light to show you which side of the tape is playing. The ▲ indicates the side you inserted upward in now playing. If you want to play the other side, press the PROG button. When the player reaches the end of the tape, it will automatically reverse direction and play the other side.

Dolby* noise reduction turns on when you insert a tape. If the tape was not recorded in Dolby, turn it off by pressing the  button. Dolby remains off until you press the button again.

* Dolby noise reduction manufactured under license from Dolby Laboratories Licensing Corporation. "DOLBY" and the double-D symbol

 are trademarks of Dolby Laboratories Licensing Corporation.

If you play a metal or chromium-dioxide (CrO₂) tape, the system automatically senses it. The METAL indicator in the frequency display lights.

To Stop Playing a Tape

To remove the tape, press the EJECT button. If you want to turn the player off, press the ON/OFF button or turn off the ignition. The tape will remain in the drive. When you turn the system back on, the tape will begin playing where it left off.

To switch to the radio while a Tape is playing, press the AM/FM button.

Tape Search Functions

FF/REW — To rewind the tape, push the REW (Preset 5) button. To fast forward the tape, push the FF (Preset 8) button. Press the PLAY (Preset 6) button to take the system out of rewind or fast forward.

SKIP — Press the SKIP (Preset 4) button to find the beginning of the next song or passage.

The system goes into fast forward, and the light in the SKIP button flashes during fast forward. When the system finds the beginning of the next song or passage, it goes back to PLAY.

REPEAT — Press the REPEAT (Preset 3) button to continuously play a song or passage. The light in the button lights and stays on. The track will repeat until you press the RPT button again.

REPLAY — Press the REPLAY (Preset 1) button to play the current song or passage from the beginning. The system goes into rewind, and the light in the button flashes during rewind. When it reaches the current song or passage, it goes back to PLAY.

SCAN — Press the SCAN (Preset 2) button to search the tape for a desired passage. When you press the SCAN button, the system goes into fast forward. It goes back to PLAY when it reaches the beginning of the next song or passage. It plays that song or passage for eight seconds and then goes into fast forward again to find the beginning of the next song or passage. The system repeats this until you press the SCAN button again.

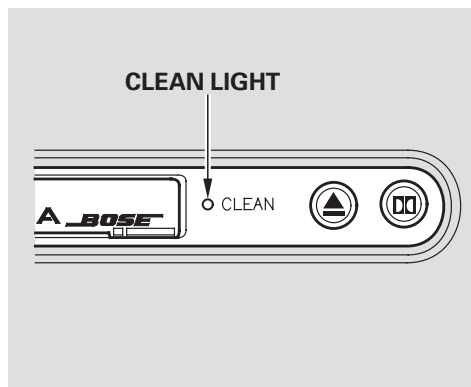
NOTE: The SKIP, REPEAT, REPLAY and SCAN functions use silent periods on the tape to find the end of a song or passage. These features may not work if there is almost no gap between selection, a high noise level, or a silent period in the middle of a selection.

Caring for the Tape and Player

The tape player picks up dirt and oxides from the tape. This contamination build up over time and causes the sound quality to degrade. To prevent this, you should clean the player after every 30 hours of use.

If you do not clean the tape player regularly, it may eventually become impossible to remove the contamination with a normal cleaning kit. Your Acura dealer has a cleaning kit available.

Playing a Tape



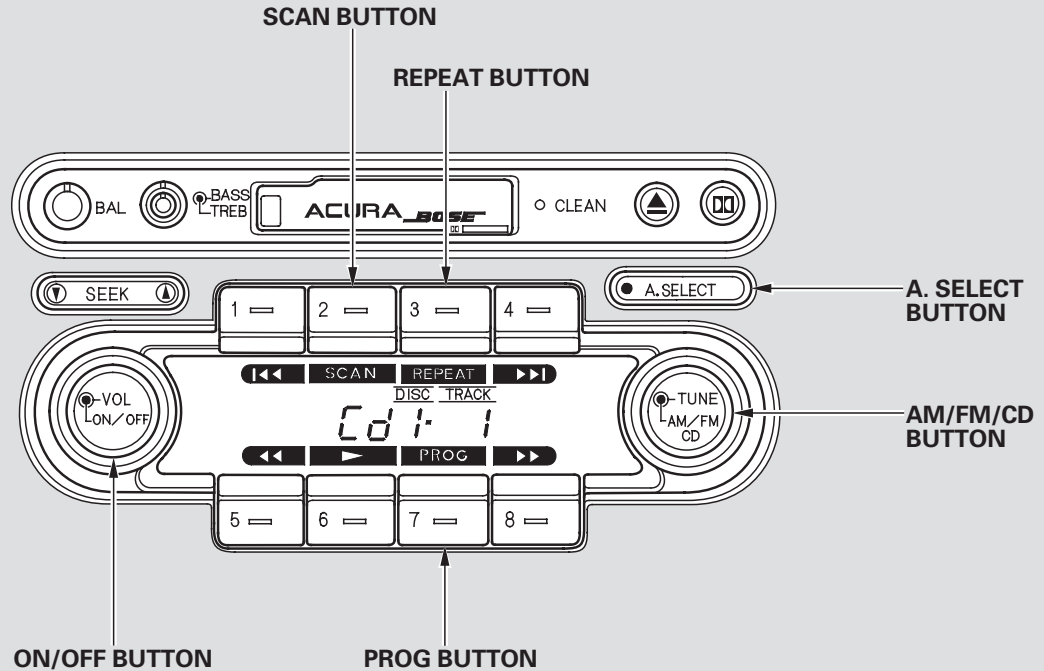
After 50 hours of use, the CLEAN light comes on to remind you to clean the cassette drive. After cleaning the drive, turn off the CLEAN light by pushing it in with the tip of a ballpoint pen or similar object.

Use 100-minute or shorter tapes. Tapes longer than that may break or jam the drive.

If the tape is loose, tighten it by turning the hub with a pencil or your finger. If the label is peeling off, remove it or it could cause the cassette to jam in the player. Never try to insert a warped or damaged cassette in the player.

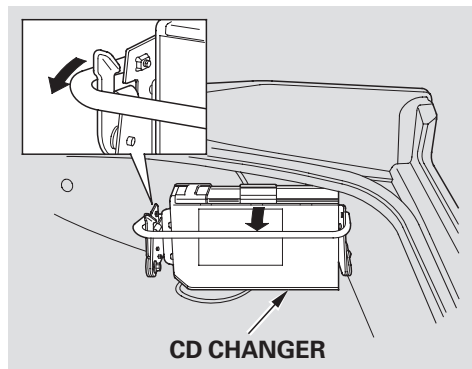
Store tapes in their cases to protect them from dust and moisture. Never place tapes where they will be exposed to direct sunlight, high heat, or high humidity. If a tape is exposed to extreme heat or cold, let it reach a moderate temperature before inserting it into the player.

Never try to insert foreign objects into the cassette player.



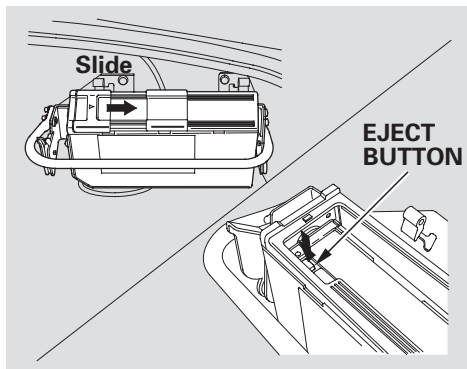
CD Changer

Loading the CD Changer

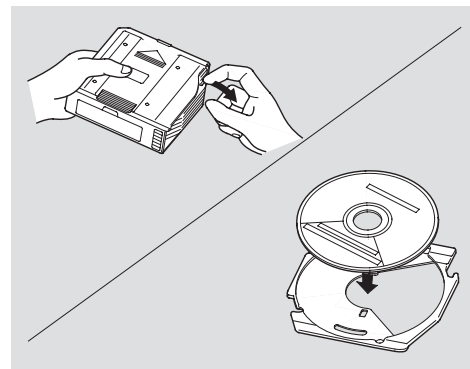


Your vehicle has a CD changer in the trunk. It holds up to six CDs.

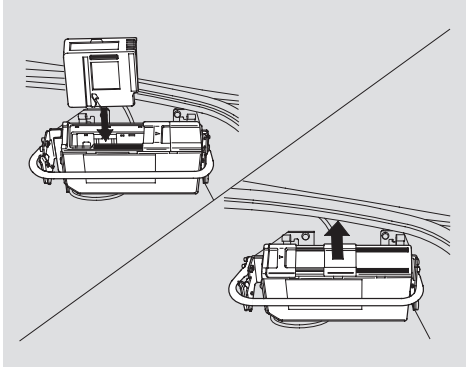
1. Press the lock lever down, pivot the changer downward.



2. Slide the lid to open the CD changer.
3. Push the EJECT button to remove the CD magazine. The magazine will pop up automatically.



4. To install a CD, pull the tab out to remove the tray from the magazine.
5. Put a CD on a tray with the printed surface up as shown.
6. Reinstall the tray in the magazine. Repeat this procedure for the other five trays.



7. Store the magazine in the changer. Pivot the changer upward to its upright position. Make sure the locklever is securely locked.

NOTE: Secure the CD changer in upright position before driving. The CD changer and CD(s) can be damaged if the change is not secured before driving.

Operating the CD Changer

You operate the CD changer with the same controls used for the radio and cassette player.

Play only standard round discs. Odd-shaped CDs may jam in the drive or cause other problems.

For best results when using CD-R or CD-RW discs, use only high quality discs labeled for audio use. When recording a CD-R or CD-RW, the recording must be closed in order for the disc to be used by CD player.

This CD changer can play CD-Rs and CD-RWs compressed in MP3 (MPEG 1/2 Audio Layer 3) standard. However, folder selection is not available with the audio controls of this unit. Only track selection is possible and the selected track is displayed.

If you play the hundredth track and over, the display will not show the actual track number:

- “cds 99” is displayed for the 99th track
- “cds 01” is displayed for the 100th track
- “cds 02” is displayed for the 101st track

Turn on the audio system as described previously. Press the AM/FM/CD button until “CD” appears in the display. The disc and track number will be displayed.

When that disc ends, the next disc in the magazine is loaded and played. When disc 6 has completed playing, the system will return to disc 1.

To select a different disc, press the PROG (Preset 7) button. The next CD in the changer is loaded and starts to play from the first track.

CD Changer

You can switch to the radio while a CD is playing by pressing the AM/FM/CD button.

To turn the system completely off, press the ON/OFF button.

You can use the preset buttons while a CD is playing to select passages and change tracks.

To move rapidly within a track, press and hold the Preset 8 button to move forward or the Preset 5 button to move backward. Release the button when the system reaches the point you want.

Each time you press and release the Preset 4 button, the system skips forward to the beginning of the next track on that CD. Pressing the Preset 1 button skips backward to the beginning of the current track.

REPEAT — To activate the Repeat feature, press and release the REPEAT (Preset 3) button. The indicator in the button will come on. The system continuously replays the current track. Press the REPEAT button again to turn it off.

SCAN — To search for a particular program on a disc, press the SCAN (Preset 2) button. The system will skip forward to the next track and begin to play it. If you do not touch any of the controls, the system skips to the beginning of the next track after ten seconds and begins to play that. When the system gets to a track you want to hear all the way through, press the SCAN button again. You can only scan tracks on the disc currently being played.

RANDOM PLAY — This feature when activated, plays the tracks on the CD in random order, rather than in the order they are recorded on the CD. To activate Random Play, press the A. SELECT button. The indicator will come on. The system will then select and play tracks randomly. This continues until you deactivate Random Play by pressing the A. SELECT button again.

General Information

- When using CD-R or CD-RW discs, use only high quality CDs labeled for audio use.
- When recording a CD-R or CD-RW, the recording must be closed for it to be used by the CD players.
- Play only standard round CDs. Odd-shaped CDs may jam in the drive or cause other problems.
- Handle your CDs properly to prevent damage and skipping.
- The specifications of the compatible MP3 file are:
 - Sampling frequency: 16-44 kHz
 - Bit rate: 8-320 kbps
 - Compatible with variable bit rate and multi-session
 - Maximum layers (including ROOT): 8 layers

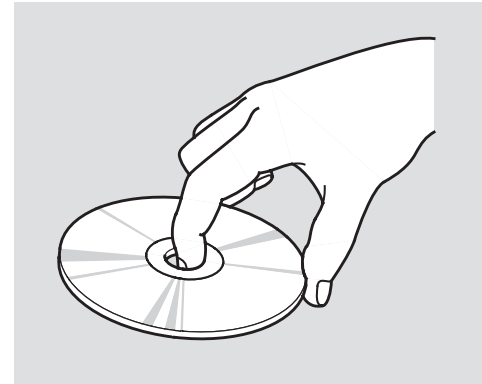
Protecting CDs

When a CD is not being played, store it in its case to protect it from dust and other contamination. To prevent warpage, keep CDs out of direct sunlight and extreme heat.

To clean a CD, use a clean soft cloth. Wipe across the CD from the center to the outside edge.

A new CD may be rough on the inner and outer edges. The small plastic pieces causing this roughness can flake off and fall on the recording surface of the CD, causing skipping or other problems. Remove these pieces by rubbing the inner and outer edges with the side of a pencil or pen.

Never try to insert foreign objects in the CD player or the magazine.

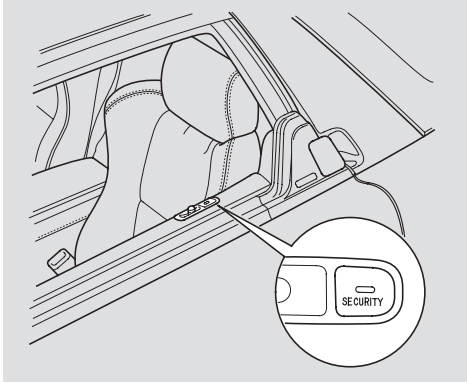


Handle a CD by its edges; never touch either surface. Do not place stabilizer rings or labels on the CD. These, along with contamination from fingerprints, liquids, and felt-tip pens, can cause the CD to not play properly, or possibly jam in the drive.

CD Changer Error Messages

If you see an error message in the display while operating a CD, find the cause in the chart to the right. If you cannot clear the error indication, take the vehicle to your Acura dealer.

Indication	Cause	Solution
<i>E-01</i>	Disc changer malfunction.	Consult your Acura dealer.
<i>E-02</i>	Disc is in changer mechanism.	Press the magazine eject button, and insert an empty magazine.
<i>E-03</i> <i>E-04</i> <i>E-05</i>	Disc changer malfunction.	If the code disappears within a few seconds, unit is OK. If it does not, see your Acura dealer.
<i>E-06</i>	Disc changer malfunction.	Press the magazine eject button and pull it out. Check for error indication, and insert the magazine again. If the magazine cannot be pulled out, see your Acura dealer.
<i>E-07</i>	CD magazine ejection impossible.	Press the magazine eject button. If the magazine does not eject, see your Acura dealer.
<i>---H</i>	High temperature.	Will disappear when the temperature returns to normal.
<i>E-EE</i>	Misconnection or disconnection of CD changer.	See your Acura dealer.
<i>----</i>	No CD magazine in the CD changer.	Insert CD magazine.



The security system helps to protect your vehicle and valuables from theft. The horn sounds and all the exterior lights flash if someone attempts to break into your vehicle or remove the radio. The system alarms continue for two minutes unless you turn it off manually. To turn the system off, unlock either door with the key.

The security system automatically sets 15 seconds after you lock the doors, hood, rear window, roof panel and trunk. For the system to activate, you must lock the doors from the outside with the key, lock tab, door lock switch, or remote transmitter. The security system indicator next to the driver's door lock starts blinking immediately to show you the system is setting itself.

Once the security system is set, opening either door (without the key or the remote transmitter), the hood, roof panel, or the rear window will cause it to alarm. It also alarms if the radio is removed from the dashboard or if the wiring is cut.

With the system set, you can still open the trunk with the master key without triggering the alarm. The alarm will sound if the trunk lock is forced or smashed, or the trunk is opened with the release button on

the driver's door.

The security system does not set if the hood, rear window, trunk, roof panel or either door is not latched completely. If the system will not set, check the Door and Lamp Monitor on the instrument panel (see page 45), to see if the doors, rear window, roof panel and trunk are fully closed. Since it is not monitored, manually check the hood.

Cruise Control

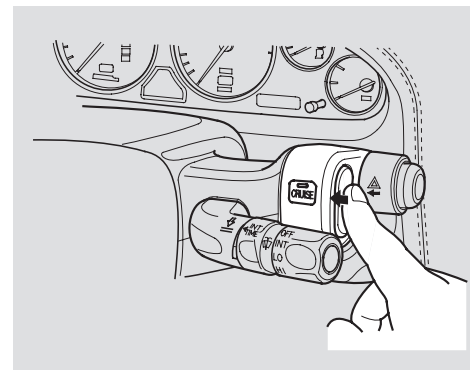
Cruise control allows you to maintain a set speed above 25 mph (40 km/h) without keeping your foot on the accelerator pedal. It should be used for cruising on straight, open highways. It is not recommended for city driving, winding roads, slippery roads, heavy rain, or bad weather.

⚠ WARNING

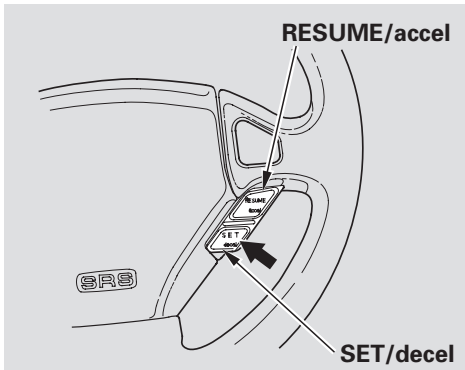
Improper use of the cruise control can lead to a crash.

Use the cruise control only when traveling on open highways in good weather.

Using the Cruise Control



1. Push in the Cruise Control Master Switch on the right pod. The indicator by the switch will light.
2. Accelerate to the desired cruising speed above 25 mph (40 km/h).



3. Press and release the SET/decel button on the steering wheel. The CRUISE CONTROL indicator on the instrument panel comes on to show the system is now activated.

The cruise control may not hold the set speed when you are going up and down hills. If your speed increases going down a hill, use the brakes to slow down. This will cancel the cruise control. To

resume the set speed, press the RESUME/accel button. The CRUISE CONTROL indicator on the instrument panel comes back on.

When climbing a steep hill, the automatic transmission may downshift to hold the set speed.

Changing the Set Speed

You can increase the set cruising speed in any of these ways:

- Press and hold the RESUME/accel button. When you reach the desired cruising speed, release the button.
- Push on the accelerator pedal. Accelerate to the desired cruising speed, and press the SET/decel button.
- To increase your speed in very small amounts, tap the RESUME/

accel button. Each time you do this, your vehicle will speed up about 1 mph (1.6 km/h).

You can decrease the set cruising speed in any of these ways:

- Press and hold the SET/decel button. The vehicle will decelerate. Release the button when you reach the desired speed.
- To slow down in very small amounts, tap the SET/decel button. Each time you do this, your vehicle will slow down about 1 mph (1.6 km/h).
- Tap the brake or clutch pedal lightly with your foot. The CRUISE CONTROL indicator on the instrument panel will go out. When the vehicle slows to the desired speed, press the SET/decel button.

Cruise Control

Even with the cruise control turned on, you can still use the accelerator pedal to speed up for passing. After completing the pass, take your foot off the accelerator pedal. The vehicle will return to the set cruising speed.

Resting your foot on the brake or clutch pedal will cause the cruise control to cancel.

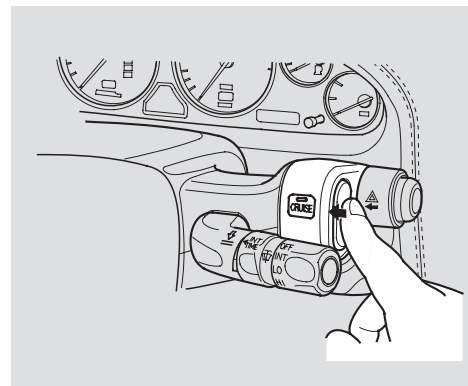
Cancelling the Cruise Control

You can cancel the cruise control in any of these ways:

- Tap the brake or clutch pedal.
- Press the SET/decel and RESUME/accel buttons at the same time.
- Press the Cruise Control Master Switch.

When you tap the brake or clutch pedal, or press the SET and RESUME buttons at the same time, the CRUISE CONTROL indicator on the instrument panel will go out and the vehicle will begin to slow down. You can use the accelerator pedal in the normal way.

If you use the brake or clutch pedal to cancel cruise control, the system remembers the previously-set cruising speed. To return to that speed, accelerate to above 25 mph



(40 km/h), then press the RESUME/accel button. The CRUISE CONTROL indicator comes on, and the vehicle will accelerate to the same cruising speed as before.

Pressing the Cruise Control Master Switch turns the system completely off and erases the previous cruising speed from memory. To use the system again, refer to ***Using the Cruise Control.***

Before you begin driving your Acura, you should know what gasoline to use, and how to check the levels of important fluids. You also need to know how to properly store luggage or packages. The information in this section will help you. If you plan to add any accessories to your vehicle, please read the information in this section first.

Break-in Period	104
Gasoline Type	104
Service Station Procedures	105
Fuel Economy	110
Accessories and Modifications	111
Carrying Cargo	113
General Precautions	116

Break-in Period, Gasoline Type

Break-in Period

Help assure your vehicle's future reliability and performance by paying extra attention to how you drive during the first 600 miles (1,000 km).

During this period:

- Avoid full-throttle starts and rapid acceleration. Do not exceed 5,500 rpm for the first 600 miles (1,000 km) of operation.
- Avoid hard braking for the first 200 miles (300 km).
- Do not change the oil until the scheduled maintenance time.
- You should follow these same recommendations with an overhauled or exchanged engine, or when the brakes are relined.

Use of a lower octane gasoline can cause a persistent, heavy, metallic rapping noise in the engine that can lead to mechanical failure.

Gasoline Type

Your Acura is designed to operate on unleaded gasoline with a pump octane number of 91 or higher. Use of a lower octane gasoline can cause occasional metallic knocking noises in the engine and will result in decreased engine performance.

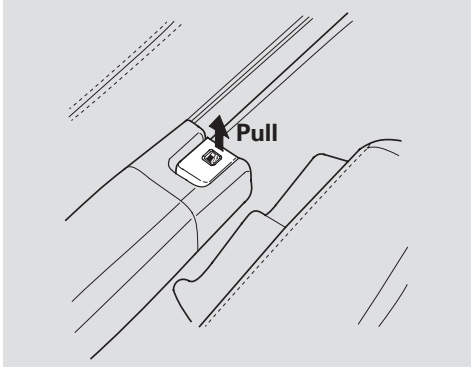
In addition, in order to maintain good performance, fuel economy, and emissions control, we strongly recommend, in areas where it is available, the use of gasoline that does NOT contain manganese-based fuel additives such as MMT. Use of gasoline with these additives may adversely affect performance, and cause the Malfunction Indicator Lamp on your instrument panel to come on.

If this happens, contact your authorized Acura dealer for service. For further important fuel-related information, please refer to your Quick Start Guide.

Some gasoline today is blended with oxygenates such as ethanol or MTBE. Your vehicle is designed to operate on oxygenated gasoline containing up to 10 percent ethanol by volume and up to 15 percent MTBE by volume. Do not use gasoline containing methanol.

If you notice any undesirable operating symptoms, try another service station or switch to another brand of gasoline.

Fueling



1. Park with the driver's side closest to the service station pump.
2. Open the fuel fill door by pulling on the handle to the left of the driver's seat.

⚠ WARNING

Gasoline is highly flammable and explosive. You can be burned or seriously injured when handling fuel.

- Stop the engine and keep heat, sparks, and flames away.
 - Handle fuel only outdoors.
 - Wipe up spills immediately.
3. Remove the fuel fill cap slowly. You may hear a hissing sound as pressure inside the tank escapes. Place the cap in the holder on the fuel fill door.
 4. Stop filling the tank after the fuel nozzle automatically clicks off. Do not try to "top off" the tank. Leave some room for the fuel to expand with temperature changes.

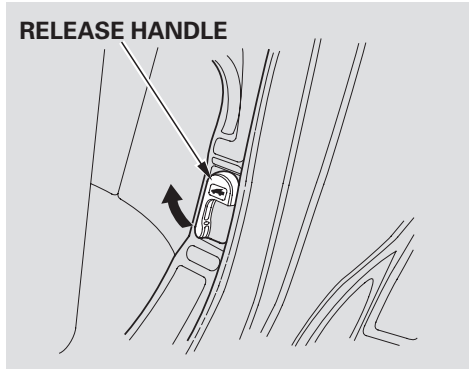
If the nozzle keeps clicking off even though the tank is not full, there may be a problem with your vehicle's fuel vapor recovery system. The system helps keep fuel vapors from going into the atmosphere. Consult your dealer.

5. Screw the fuel fill cap back on until it clicks at least three times. If you do not properly tighten the cap, the Malfunction Indicator Lamp may come on (see page 190).
6. Push the fuel fill door closed until it latches.

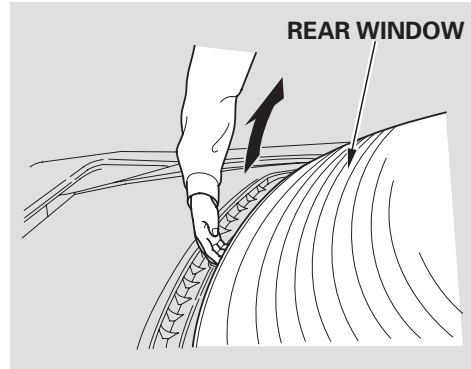
CONTINUED

Service Station Procedures

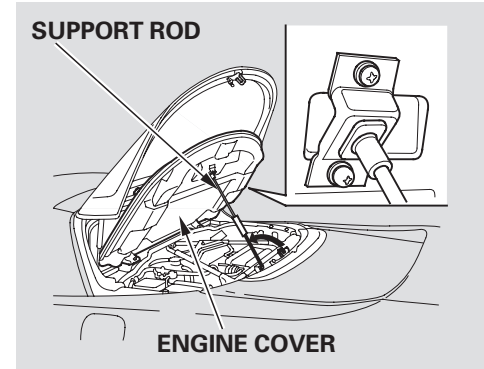
Opening the Engine Compartment



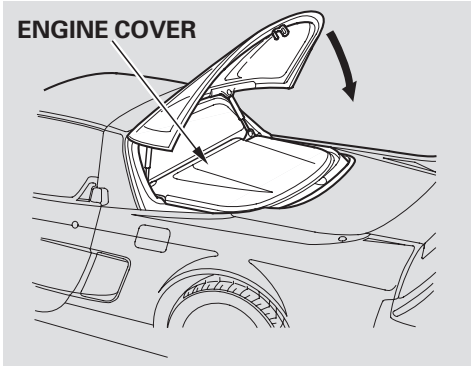
1. Park the vehicle, and set the parking brake. Locate the release handle on the rear of the driver's door opening, next to the seat. Pivot this handle towards the driver's seat. The rear window will pop up slightly.



2. Stand just behind the driver's door. Reach under the rear edge of the rear window at its center and raise it. It will stay up by itself.

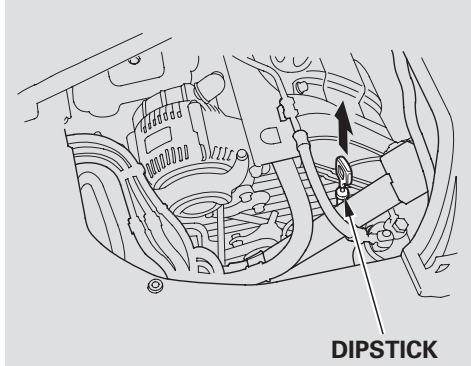


3. Lift the engine cover.
4. Pull the support rod out of its clip and insert the end into the square hole in the engine cover bracket.



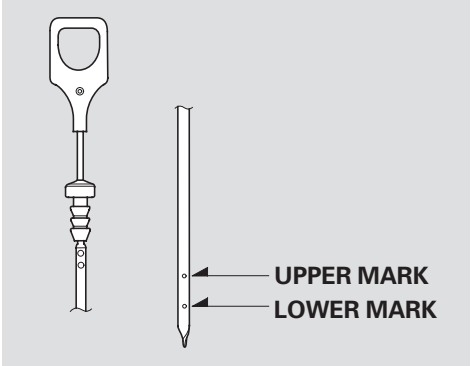
To Close the Rear Window:
Snap the support rod back into the clip and lower the engine cover. Pull the rear window down until it is resting on the body, then push on the center of the back edge until it latches. Make sure it is securely closed before driving away.

Oil Check



Wait a few minutes after turning the engine off before you check the oil.

1. Remove the dipstick (orange handle).
2. Wipe the dipstick with a clean cloth or paper towel.
3. Insert it all the way back in its tube.

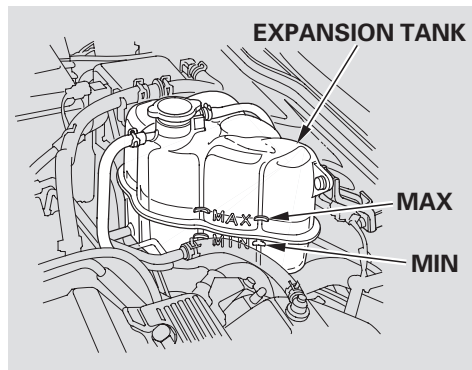


4. Remove the dipstick again and check the level. It should be between the upper and lower marks.

If it is near or below the lower mark, see **Adding Oil** on page [143](#).

Service Station Procedures

Engine Coolant Check



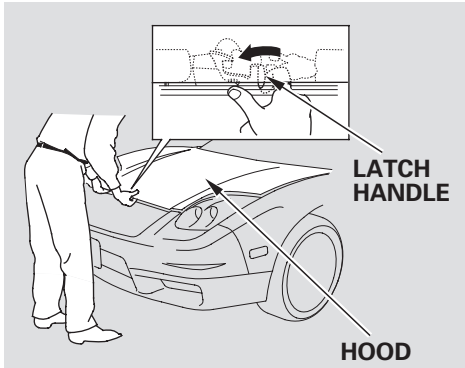
Look at the coolant level in the expansion tank. Make sure it is between the MAX and MIN lines. If it is below the MIN line, see **Adding Engine Coolant** on page 146 for information on adding the proper coolant.

Refer to **Owner Maintenance Checks** on page 136 for information on checking other items in your Acura.

Checking the Front Compartment



1. Park the vehicle, and set the parking brake. Pull the hood release handle located under the lower left corner of the dashboard. The hood will pop up slightly.

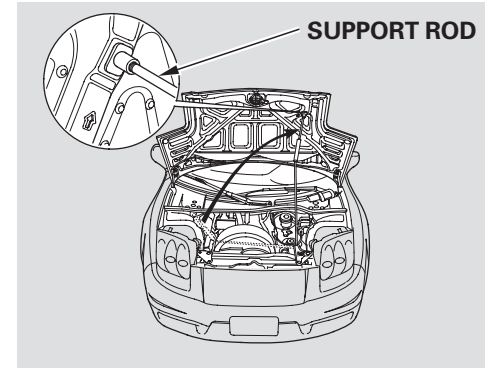


2. Put your fingers under the front edge of the hood to the right of center. Slide your hand to the left until you feel the hood latch handle. Push this handle to the left until it releases the hood. Lift the hood.

If the hood latch handle moves stiffly, or you can open the hood without lifting the handle, the mechanism should be cleaned and lubricated.

3. Pull the support rod out of its clip and insert the end into the square hole on the right side of the hood.

To Close the Hood



Lift it up slightly to remove the support rod from the hole. Put the support rod back into its holding clip. Lower the hood to about a foot (30 cm) above the fender, then let it drop. Make sure it is securely latched.

Fuel Economy

Improving Fuel Economy

- Always maintain your vehicle according to the maintenance schedule. See **Owner's Maintenance Checks** on page [136](#).

For example, an underinflated tire causes more “rolling resistance,” which uses fuel.

The build-up of snow or mud on your vehicle's underside adds weight and rolling resistance. Frequent cleaning helps your fuel mileage and reduces the chance of corrosion.

- Drive moderately. Rapid acceleration, abrupt cornering and hard braking use more fuel.
- Always drive in the highest gear possible.

- Try to maintain a constant speed. Every time you slow down and speed up, your vehicle uses extra fuel. Use the cruise control when appropriate.
- Combine several short trips into one.
- The air conditioning puts an extra load on the engine which makes it use more fuel. Use the fresh-air ventilation when possible.

Modifying your vehicle, or installing some non-Acura accessories, can make your vehicle unsafe. Before you make any modifications or add any accessories, be sure to read the following information.

Accessories

Your dealer has Acura accessories that allow you to personalize your vehicle. These accessories have been designed and approved for your vehicle, and are covered by warranty.

Although aftermarket accessories may fit on your vehicle, they may not meet factory specifications, and could adversely affect your vehicle's handling and stability. (See "Modifications" on page [112](#) for additional information.)

WARNING

Improper accessories or modifications can affect your vehicle's handling, stability, and performance, and cause a crash in which you can be hurt or killed.

Follow all instructions in this owner's manual regarding accessories and modifications.

When properly installed, cellular phones, alarms, two-way radios, and low-powered audio systems should not interfere with your vehicle's computer controlled systems, such as the SRS and anti-lock brake system.

Before installing any accessory:

- Make sure the accessory does not obscure any lights, or interfere with proper vehicle operation or performance.
- Be sure electronic accessories do not overload electrical circuits (see page [192](#)) or interfere with proper operation.
- Have the installer contact your Acura dealer for assistance before installing any electronic accessory.

Accessories and Modifications

Modifying Your Vehicle

Removing parts from your vehicle, or replacing components with non-Acura (aftermarket) components could seriously affect your vehicle's handling, stability, and reliability.

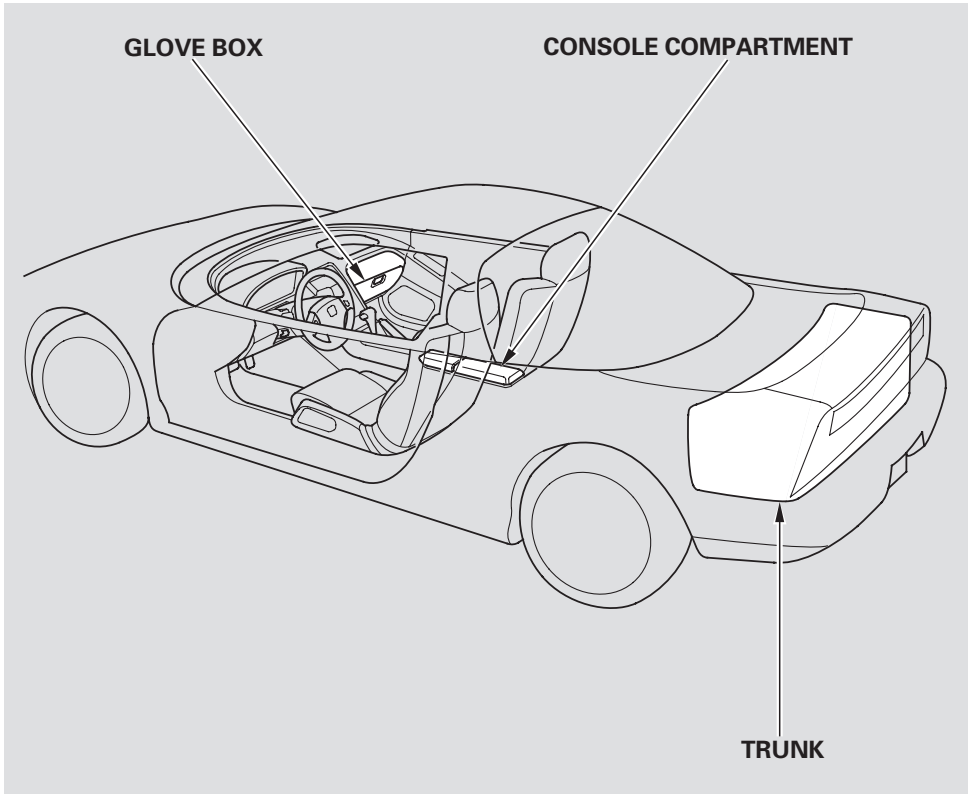
Some examples are:

- Lowering your vehicle with an aftermarket suspension kit that significantly reduces ground clearance can allow the undercarriage to hit speed bumps or other raised objects, which could cause the airbags to deploy.
- Raising your vehicle with an aftermarket suspension kit can affect the handling and stability.
- Aftermarket wheels, because they are a universal design, can cause excessive stress on suspension components.

- Larger or smaller wheels and tires can interfere with the operation of your vehicle's anti-lock brakes and other systems.

Do not modify your steering wheel or any other part of your Supplemental Restraint System. Modifications could make the system ineffective. See the safety precautions on page [15](#).

If you plan to modify your vehicle, consult your Acura dealer.



Your vehicle has several convenient storage areas:

- Glove box
- Console compartment
- Trunk

However, carrying too much cargo, or improperly storing it, can affect your vehicle's handling, stability, stopping distance, and tires, and make it unsafe. Before carrying any type of cargo, be sure to read the following pages.

Carrying Cargo

The maximum load limit for your vehicle is 400 lbs (185 kg). This figure includes the total weight of all occupants, cargo, and accessories.

To determine the correct cargo and luggage load limit.

1. Locate the statement, “the combined weight of occupants and cargo should never exceed 400 lbs (185 kg)” on your vehicle’s placard (on the driver’s doorjamb).
2. Determine the combined weight of the driver and passenger that will be riding in your vehicle. (Two is the seating capacity of your vehicle.)

3. Subtract the combined weight of the driver and passenger from 400 lbs (185 kg).
4. The resulting figure equals the available amount of cargo and luggage load capacity.

For example, if there will be two 150 lbs (70 kg) occupants in your vehicle, the amount of available cargo and luggage load capacity is 100 lbs (45 kg).

$$2 \times 150 \text{ lbs (70 kg)} = 300 \text{ lbs (140 kg)}$$
$$400 \text{ lbs (185 kg)} - 300 \text{ lbs (140 kg)} = 100 \text{ lbs (45 kg)}$$

5. Determine the combined weight of accessories, luggage, and cargo being loaded in the vehicle. The weight may not safely exceed the available cargo and luggage load capacity calculated in step 4.

WARNING

Overloading or improper loading can affect handling and stability and cause a crash in which you can be hurt or killed.

Follow all load limits and other loading guidelines in this manual.

Carrying Items in the Passenger Compartment

- Store or secure all items that could be thrown around and hurt someone during a crash.
- Be sure items placed on the floor behind the seats cannot roll under the seats and interfere with the pedals or vehicle operation.
- Keep the glove box closed while driving. If it is open, a passenger could injure their knees during a crash or sudden stop.

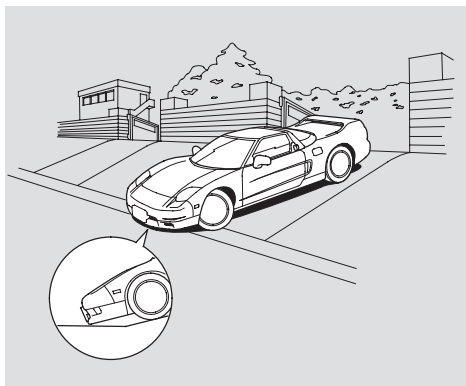
Carrying Cargo in the Trunk

- Distribute cargo evenly on the floor of the trunk, placing the heaviest items on the bottom and as far forward as possible.

General Precautions

Your Acura is designed to give you optimum handling and performance on well-maintained roads. As part of this design, your vehicle has minimum ground clearance and very low-profile tires.

- Use caution if you ever drive your vehicle on very rough or rutted roads. You could damage the suspension and underbody by bottoming out. Going too fast over parking lot “speed bumps” can also cause damage.



- Curbs and steep inclines could damage the front and rear bumpers. Low curbs that do not affect the average vehicle may be high enough to hit the bumper on your Acura. The front or rear bumper may scrape when trying to drive onto an incline, such as a steep driveway or trailer ramps.

- Because of the low-profile tires fitted on your vehicle, the alloy wheels are closer to the ground. Driving over a pothole or road debris at too high a speed can seriously damage a wheel. Slow down under these conditions.

This section gives you tips on starting the engine under various conditions, and how to operate the manual and automatic transmissions. It also includes important information on parking your vehicle, the braking system, and the Traction Control System.

Preparing to Drive	118
Starting the Engine.....	119
6-speed Manual Transmission	120
Automatic Transmission.....	123
Parking.....	128
The Braking System.....	129
Anti-lock Brakes (ABS)	130
Traction Control System.....	131
Towing a Trailer	132

Preparing to Drive

You should do the following checks and adjustments every day before you drive your vehicle.

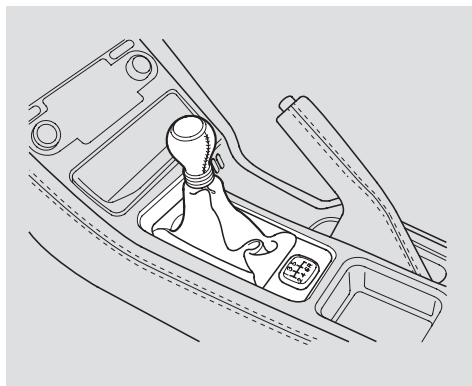
1. Make sure all windows, mirrors, and outside lights are clean and unobstructed. Remove frost, snow, or ice.
2. Check that the hood, trunk and rear window are fully closed.
3. Visually check the tires. If a tire looks low, use a gauge to check its pressure.
4. Check that any items you may be carrying with you inside are stored properly or fastened down securely.
5. Check the seat adjustment (see page [62](#)).
6. Check the inside and outside mirror adjustments (see page [71](#)).
7. Check the steering wheel adjustment (see page [53](#)).
8. Make sure the doors are securely closed and locked.
9. Fasten your seat belt. Check that your passenger has fastened his or her seat belt (see page [12](#)).
10. When you start the engine, check the gauges and indicators in the instrument panel (see page [42](#)).

1. Apply the parking brake.
2. In cold weather, turn off all electrical accessories to reduce battery drain.
3. *Manual Transmission:*
Push the clutch pedal down all the way. START (III) does not function unless the clutch pedal is depressed.

Automatic Transmission:
Make sure the shift lever is in Park. Press on the brake pedal.
4. Without touching the accelerator pedal, turn the ignition key to the START (III) position. Do not hold the key in START (III) for more than 15 seconds at a time. If the engine does not start right away, pause for at least 10 seconds before trying again.
5. If the engine does not start within 15 seconds, or starts but stalls right away, repeat step 4 with the accelerator pedal pressed halfway down. If the engine starts, release pressure on the accelerator pedal so the engine does not race.
6. If the engine fails to start, press the accelerator pedal all the way down and hold it there while starting to clear flooding. If the engine still does not start, return to step 5.

NOTICE: *The engine is harder to start in cold weather. Also, the thinner air found at altitudes above 8,000 feet (2,400 meters) adds to this problem.*

6-speed Manual Transmission



The manual transmission is synchronized in all forward gears for smooth operation. It has a lockout so you cannot shift directly from Fifth to Reverse instead of Sixth (see page [122](#)). When shifting up or down, make sure you push the clutch pedal down all the way, shift to the next gear, and let the pedal up gradually. When you are not shifting, do not rest your foot on the clutch pedal. This can cause your clutch to wear out faster.

Come to a full stop before you shift into Reverse. You can damage the transmission by trying to shift into Reverse with the vehicle moving. Push down the clutch pedal, and pause for a few seconds before shifting into Reverse, or shift into one of the forward gears for a moment. This stops the gears so they won't "grind."

When slowing down, you can get extra braking from the engine by shifting to a lower gear. This extra braking can help you maintain a safe speed and prevent your brakes from overheating while going down a steep hill. Before downshifting, make sure engine speed will not go into the tachometer's red zone in the lower gear.

⚠ WARNING

Rapid slowing or speeding-up can cause loss of control on slippery surfaces. If you crash, you can be injured.

Use extra care when driving on slippery surfaces.

Recommended Shift Points

Drive in the highest gear that lets the engine run and accelerate smoothly. This will give you good fuel economy and effective emissions control. The following shift points are recommended:

Shift Up	Normal Acceleration
1st to 2nd	15 mph (24 km/h)
2nd to 3rd	25 mph (40 km/h)
3rd to 4th	40 mph (64 km/h)
4th to 5th	47 mph (75 km/h)
5th to 6th	52 mph (83 km/h)

Engine Speed Limiter

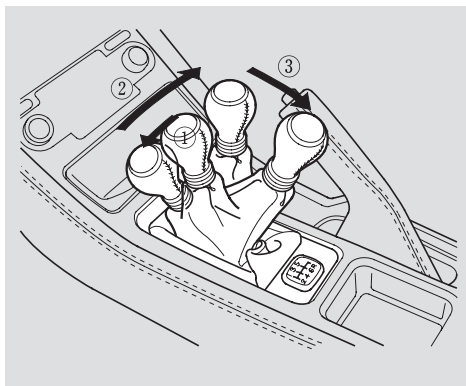
If you exceed the maximum speed for the gear you are in, the engine speed will enter into the tachometer's red zone. If this occurs, you may feel the engine cut in and out. This is caused by a limiter in the engine's computer controls. The engine will run normally when you reduce the RPM below the red zone.

Before downshifting, make sure the engine will not go into the tachometer's red zone.

6-speed Manual Transmission

Reverse Lockout

The 6-speed manual transmission has an electric lockout so you cannot accidentally shift from Fifth to Reverse instead of Sixth. If you cannot shift to Reverse when the vehicle is stopped:

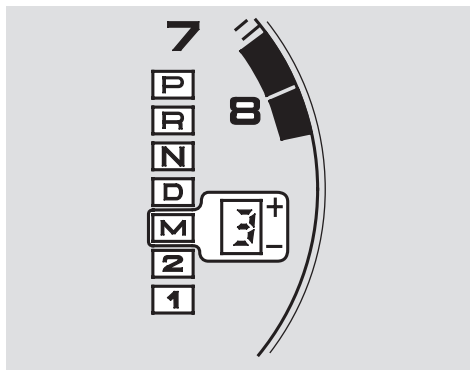


1. With the clutch pedal pressed, move the shift lever to the First/Second gear side of the Neutral gate, then shift to Reverse.

2. If you are still unable to shift to Reverse, apply the parking brake and turn the ignition key to ACCESSORY (I) or LOCK (0).
3. Depress the clutch pedal and shift to Reverse.
4. With the clutch pedal still depressed, start the engine.

If you need to use this procedure to shift to Reverse, your vehicle may be developing a problem. Have the vehicle checked by your Acura dealer.

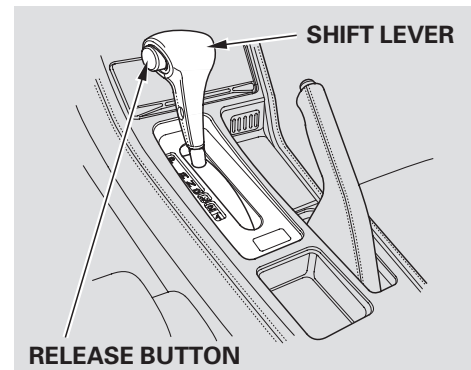
Shift Lever Position Indicators



These indicators on the instrument panel show which position the shift lever is in. The illuminated number next to the “M” indicator shows you the gear you have selected when selecting 3/M position.

The “D” indicator comes on for a few seconds when you turn the ignition switch to ON (II). If it flashes at any time (in any shift position), it indicates a possible problem in the transmission. Avoid rapid acceleration, and have the transmission checked by an Acura dealer as soon as possible.

Shifting



To shift from any position, press firmly on the brake pedal and press the release button on the side of the shift lever. You cannot shift out of Park when the ignition switch is in LOCK (0) or ACCESSORY (I).

The shift lever on the steering column’s right pod allows you to shift up and down manually when the console shift lever is in the “3/M” position.

Automatic Transmission

To shift from:	Do this:
P to R	Press the brake pedal and push the release button.
R to P N to R 3/M to 2 2 to 1	Push the release button.
1 to 2 2 to 3/M 3/M to D D to N D to 3/M N to D R to N	Move the lever.

Park (P) – This position mechanically locks the transmission. Use Park whenever you are turning off or starting the engine. To shift out of Park, you must press on the brake pedal and have your foot off the accelerator pedal. Press the release button on the side of the shift lever to move it.

If you have done all of the above and still cannot move the lever out of Park, see **Shift Lock Release** on page [127](#).

You must also press the release button to shift into Park. To avoid transmission damage, come to a complete stop before shifting into Park. The shift lever must be in Park before you can remove the key from the ignition switch.

Reverse (R) – Press the brake pedal and press the release button to shift from Park to Reverse. To shift from Reverse to Neutral, come to a complete stop and then shift.

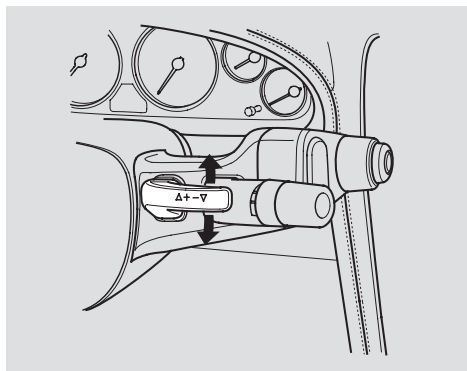
Neutral (N) – Use Neutral if you need to restart a stalled engine, or if it is necessary to stop briefly with the engine idling. Shift to the Park position if you need to leave your vehicle for any reason. Press on the brake pedal when you are moving the shift lever from Neutral to another gear.

Drive (D) — Use this position for normal driving. The transmission automatically selects a suitable gear for your speed and acceleration. You may notice the transmission shifting up at higher speeds when the engine is cold. This helps the engine warm up faster.

Press firmly on the brake pedal when you are stopped in Drive, 3/M, 2, 1, N or Reverse. Never press on the accelerator pedal at the same time.

For faster acceleration when passing, you can get the transmission to automatically downshift by pushing the accelerator pedal to the floor. The transmission will shift down to a lower gear.

SportShift (3/M) — With the console shift lever in this position, you can use the SportShift lever on the right pod to shift gears; much like a manual transmission without a clutch pedal. Each time you push up on the SportShift lever, the transmission will shift up to the next higher gear. Push down on the lever to downshift. The number of the selected gear is displayed next to the “M” indicator (See page [123](#)).



If you move the console shift lever from “D” to “3/M” while the vehicle is moving, the transmission remains in the gear it was in. If you do this while stopped, the transmission selects first gear.

When you accelerate away from a stop, the transmission will be in first gear. If you do not manually upshift to second gear, the transmission will automatically upshift when the engine reaches redline, or when you reduce pressure on the accelerator pedal. It will remain in second gear until you either upshift manually or come to a stop.

The transmission remains in the selected gear (4, 3, or 2). There is no automatic downshift when you push the accelerator pedal to the floor.

The only time it will shift automatically is when the vehicle comes to almost a complete stop. It will then downshift to first gear.

CONTINUED

Automatic Transmission

If you try to manually downshift at a speed that would cause the engine to exceed the redline in the lower gear, the transmission will not downshift. If that downshift is from second gear to first gear, the gear indicator will flash “1” several times, then return to “2”.

When manually downshifting from second gear to first gear below redline, you must depress the accelerator pedal to get the transmission to downshift. If you do not, the gear indicator will flash as described. This is not necessary when downshifting in any of the other gears.

Second (2) — This position locks the transmission in second gear. It does not downshift to first gear when you come to a stop.

Use Second gear:

- For more power when climbing.
- To increase engine braking when going down steep hills.
- For starting out on a slippery surface or in deep snow.

First (1) — To shift from Second to First, press the release button on the shift lever. With the lever in this position, the transmission locks in First gear.

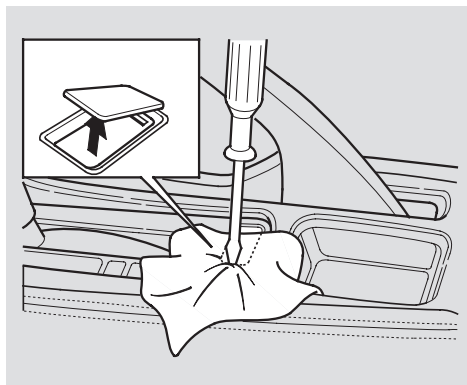
Engine Speed Limiter

If you exceed the maximum speed for the gear you are in, the engine speed will enter into the tachometer’s red zone. If this occurs, you may feel the engine cut in and out. This is caused by a limiter in the engine’s computer controls. The engine will run normally when you reduce the RPM below the red zone.

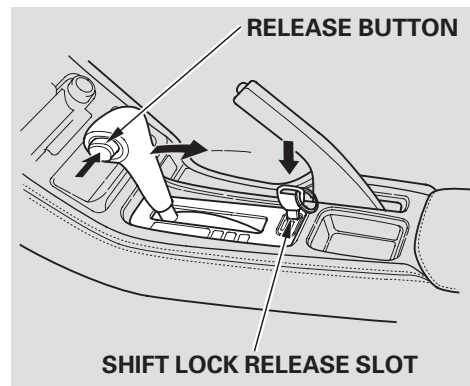
Shift Lock Release

This allows you to move the shift lever out of Park if the normal method of pushing on the brake pedal and pressing the release button does not work.

1. Set the Parking brake.
2. Remove the key from the ignition switch.
3. Put a cloth on the edge of the Shift Lock Release slot cover next to the shift lever. Use a small flat-tipped screwdriver or finger nail file to remove the cover. Carefully pry off the edge of the cover.



4. Insert the key in the Shift Lock Release slot next to the shift lever.
5. Push down on the key while you press the release button on the shift lever and move the shift lever out of Park to Neutral.



6. Remove the key from the Shift Lock Release slot. Press the brake pedal and restart the engine.

If you need to use the Shift Lock Release, it means your vehicle is developing a problem. Have it checked by an Acura dealer.

Parking Tips

Always use the parking brake when you park your vehicle. Make sure the parking brake is set firmly or your vehicle may roll if it is parked on an incline.

If your vehicle has an automatic transmission, set the parking brake before you put the transmission in Park. This keeps the vehicle from moving and putting pressure on the parking mechanism in the transmission.

Parking Tips

- Make sure the removable roof panel is installed and the windows are closed.
 - Turn off the lights.
 - Place any packages, valuables, etc., in the trunk or take them with you.
 - Lock the doors. Check the indicator on the driver's door to verify that the security system is set.
 - Never park over dry leaves, tall grass, or other flammable materials. The hot three-way catalytic converter could cause these materials to catch on fire.
- If the vehicle is facing uphill, turn the front wheels away from the curb. If you have a manual transmission, put it in first gear.
 - If the vehicle is facing downhill, turn the front wheels toward the curb. If you have a manual transmission, put it in reverse gear.
 - Make sure the parking brake is fully released before driving away. Driving with the parking brake partially set can overheat or damage the rear brakes.

Your Acura is equipped with disc brakes at all four wheels. A power assist helps reduce the effort needed on the brake pedal. The ABS helps you retain steering control when braking very hard.

Resting your foot on the pedal keeps the brakes applied lightly, builds up heat, and reduces their effectiveness. It also keeps your brake lights on all the time, confusing drivers behind you.

Constant application of the brakes when going down a long hill builds up heat and reduces their effectiveness. Use the engine to assist the brakes by taking your foot off the accelerator and downshifting to a lower gear.

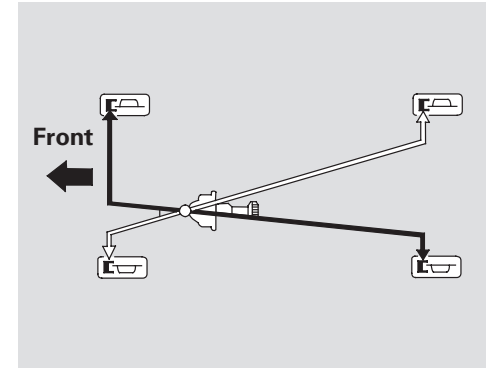
Check the brakes after driving through deep water. Apply the brakes moderately to see if they feel normal. If not, apply them gently and frequently until they do. Be extra cautious and alert in your driving.

Brake Wear Indicators

If the brake pads need replacing, you will hear a distinctive, metallic screeching sound when you apply the brake pedal. If you do not have the brake pads replaced, they will screech all the time. It is normal for the brakes to occasionally squeal or squeak when you apply them.

Brake System Design

The hydraulic system that operates the brakes has two separate circuits. Each circuit works diagonally across the vehicle (the left-front brake is connected with the right-rear brake, etc.). If one circuit should develop a problem, you will still have braking at two wheels.



Anti-lock Brakes (ABS)

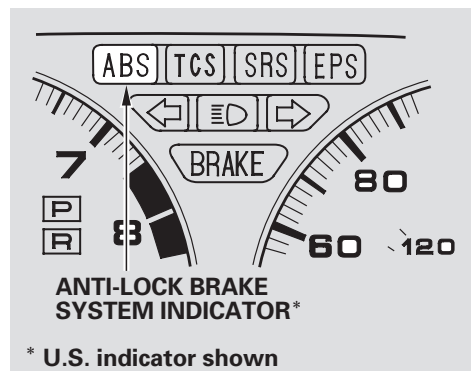
The Anti-lock Brake System (ABS) helps prevent the brakes from locking up and helps you retain steering control by pumping the brakes rapidly; much faster than a person.

You should never pump the brake pedal. Let the ABS work for you by always keeping firm, steady pressure on the brake pedal. This is sometimes referred to as “stomp and steer.”

Activating the Anti-lock Brakes

You will feel a pulsation in the brake pedal when the ABS activates, and may hear some noise. This is normal: it is the ABS rapidly pumping the brakes. On dry pavement, you will need to press on the brake pedal very hard before the ABS activates. However, you may feel the ABS activate immediately if you are trying to stop on snow or ice.

ABS Indicator



If the ABS indicator comes on, the anti-lock function of the braking system has shut down. The brakes still work like a conventional system, but without anti-lock. You should have the dealer inspect your vehicle as soon as possible.

Important Safety Reminders

ABS does not reduce the time or distance it takes to stop the vehicle; it only helps with steering control during braking.

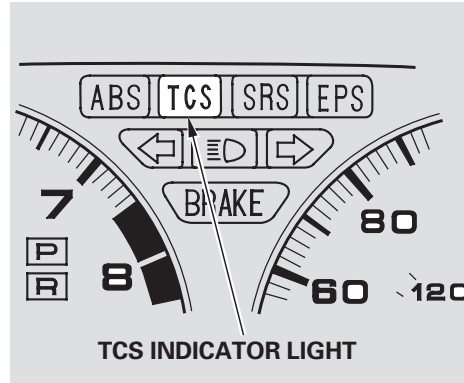
ABS will not prevent a skid that results from changing direction abruptly, such as trying to take a corner too fast or making a sudden lane change. Always drive at a safe speed for the road and weather conditions.

ABS cannot prevent a loss of stability. Always steer moderately when you are braking hard. Severe or sharp steering wheel movement can still cause your vehicle to veer into oncoming traffic or off the road. **A vehicle with ABS may require a longer distance to stop** on loose or uneven surfaces, such as gravel or snow, than a vehicle without anti-lock. Slow down and allow a greater distance between vehicles under those conditions.

Traction Control System (TCS)

Your Acura is equipped with a Traction Control System (TCS). TCS assists you in maintaining traction while accelerating on slippery surfaces. It does this by regulating the engine's power output when it senses either of the drive wheels starting to spin. This increases the vehicle's traction and directional stability on loose or slippery road surfaces.

Driving with TCS requires no special skills or technique. The TCS does not affect braking, and cannot prevent skidding if you enter a corner too fast. It is still your responsibility to drive at reasonable speeds and to leave a sufficient margin of safety.



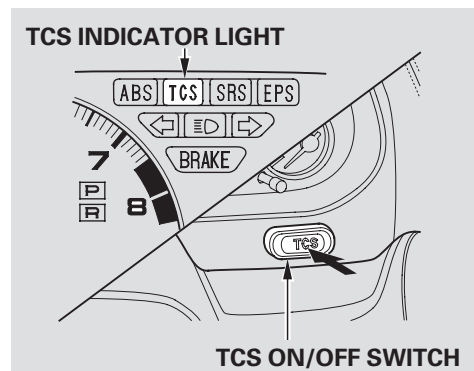
When driving on a loose or slippery road surface, you may notice that the engine does not respond to the accelerator in the same way it does at other times. This is a sign the TCS is activating. You will see the TCS indicator light flash.

You should still install winter tires on your vehicle during the winter. Exercise the same caution in winter driving as you would if your vehicle was not equipped with TCS.

Driving with the folding spare tire (see page 181) installed may activate the TCS. You may want to turn the system off under this condition.

Traction Control System (TCS), Towing a Trailer

TCS ON/OFF Switch



This switch is on the dashboard behind the right control pod. It lets you turn the Traction Control System on and off. You cannot turn off the TCS while the TCS indicator is flashing.

Deactivate the system by pressing the TCS On/Off switch. The TCS indicator light comes on as a reminder. Pressing the switch again turns the system back on.

The Traction Control System turns on every time you start the engine, even if you turned it off the last time you drove the vehicle.

TCS Indicator

The TCS indicator comes on or flashes under the following conditions:

- When you turn the ignition switch to ON (II).
- When you manually turn off TCS.
- It flashes when the TCS is regulating the engine output to prevent wheelspin.
- If the system's diagnostics senses a problem with TCS, the indicator will come on and stay on.

If the TCS indicator comes on while driving, pull to the side of the road when it is safe and turn off the engine. Reset the system by restarting the engine, and watch the TCS indicator. If the indicator remains on, or comes back on while driving, have the TCS inspected by your Acura dealer. You can still drive the vehicle without TCS.

The TCS indicator may occasionally come on for one or two seconds and then go out. This is normal.

Towing a Trailer

Your NSX is not designed to tow a trailer. Attempting to do so can void your warranties.

This section explains why it is important to keep your vehicle well maintained and how to follow basic maintenance safety precautions.

This section also includes Maintenance Schedules for normal and severe driving conditions, a Maintenance Record, and instructions for simple maintenance tasks you may want to take care of yourself.

If you have the skills and tools to perform more complex maintenance tasks on your Acura, you may want to purchase the Service Manual. See page 217 for information on how to obtain a copy, or see your Acura dealer.

Maintenance Safety	134
Maintenance Schedule.....	135
Maintenance Record	139
Fluid Locations.....	142
Adding Engine Oil	143
Changing the Oil and Filter.....	144
Cooling System	146
Adding Engine Coolant.....	146
Windshield Washers	148
Automatic Transmission Fluid....	149
Manual Transmission Fluid	150
Brake and Clutch Fluid.....	151
Hood Latch	152
Timing Belt.....	152
Lights	153
Seat Belts	157
Floor Mats	157
Power Antenna.....	157
Wiper Blades	158
Tires	160
Checking the Battery	166
Vehicle Storage	167

Maintenance Safety

All service items not detailed in this section should be performed by an Acura technician or other qualified mechanic.

Important Safety Precautions

To eliminate potential hazards, read the instructions before you begin, and make sure you have the tools and skills required.

- Make sure your vehicle is parked on level ground, the parking brake is set, and the engine is off.
- To clean parts, use a commercially available degreaser or parts cleaner, not gasoline.
- To reduce the possibility of fire or explosion, keep cigarettes, sparks, and flames away from the battery and all fuel-related parts.
- Wear eye protection and protective clothing when working

with the battery or compressed air.

WARNING

Improperly maintaining this vehicle or failing to correct a problem before driving can cause a crash in which you can be seriously hurt or killed.

Always follow the inspection, maintenance recommendations, and schedules in this owner's manual.

Potential Vehicle Hazards

- **Carbon Monoxide poison from engine exhaust.** Be sure there is adequate ventilation whenever you operate the engine.
- **Burns from hot parts.** Let the engine and exhaust system cool before touching any parts.

- **Injury from moving parts.** Do not run the engine unless instructed to do so.

WARNING

Failure to properly follow maintenance instructions and precautions can cause you to be seriously hurt or killed.

Always follow the procedures and precautions in this owner's manual.

Some of the most important safety precautions are given here. However, we cannot warn you of every conceivable hazard that can arise in performing maintenance. Only you can decide whether or not you should perform a given task.

The maintenance schedule assumes you will use your vehicle as normal transportation for your passenger and possessions. You should also follow these recommendations:

- Avoid exceeding your vehicle's load limit. This puts excess stress on the engine, brakes, and many other vehicle parts. The load limit is shown on the tire information label on the driver's doorjamb.
- Operate your vehicle on reasonable roads within the legal speed limit.
- Drive your vehicle regularly over a distance of several miles (kilometers).
- Always use unleaded gasoline with the proper octane rating (see page 104).

Which Schedule to Follow

Service your vehicle according to the time and mileage periods on one of the Maintenance Schedules on the following pages.

U.S. Owners — Follow the Maintenance Schedule for Severe Conditions if you drive your vehicle **MAINLY** under one or more of the following conditions.

- Driving less than 5 miles (8 km) per trip or, in freezing temperatures, driving less than 10 miles (16 km) per trip.
- Driving in extremely hot [over 90°F (32°C)] conditions.
- Used primarily as a delivery vehicle or taxi that is driven mostly in stop-and-go traffic and/or parked with the engine idling.

- Driving in mountainous conditions.
- Driving on muddy, dusty, or de-iced roads.

NOTE: If you only *OCCASIONALLY* drive under a “severe” condition, you should follow the Normal Conditions Maintenance Schedule.

Canadian Owners — Follow the Maintenance Schedule for Severe Conditions.

Maintenance Schedule

Servicing Your Vehicle

Your authorized Acura dealer knows your vehicle best and can provide competent, efficient service.

However, service at a dealer is not mandatory to keep your warranties in effect. Maintenance may be done by any qualified service facility or skilled person to keep your warranty in effect. Keep all the receipts as proof of completion, and have the person who does the work fill out the Maintenance Record. Check your warranty booklet for more information.

We recommend the use of Acura parts and fluids whenever you have maintenance done.

U.S. Vehicles: **Maintenance, replacement, or repair of emissions control devices and systems may be done by any automotive repair establishment or individual using parts that are “certified” to EPA standards.**

According to state and federal regulations, failure to perform maintenance on the items marked with # will not void your emissions warranties. However, Acura recommends that all maintenance services be performed at the recommended time or mileage period to ensure long-term reliability.

Owner’s Maintenance Checks

You should check the following items at the specified intervals. If you are unsure of how to perform any check, turn to the appropriate page listed.

- Engine oil level — Check every time you fill the fuel tank. See page [107](#).
- Engine coolant level — Check the radiator reserve tank every time you fill the fuel tank. See page [108](#).
- Brakes — Check the fluid level monthly. See page [151](#).
- Tires — Check the tire pressure monthly. Examine the tread for wear and foreign objects. See page [161](#).
- Lights — Check the operation of the headlights, parking lights, taillights, high-mount brake light, turn signals, brake lights, and license plate light monthly. See page [153](#).

Service the items listed at the indicated distance (or time, if given).											
	miles x 1,000	15	30	45	60	75	90	105	120	135	150
	km x 1,000	24	48	72	96	120	144	168	192	216	240
Check engine oil and coolant	Check oil and coolant at each fuel stop										
Check tires	Check inflation and condition once a month										
Replace engine oil	Every 7,500 miles (12,000 km) or every 1 year, whichever comes first										
Check tire inflation and condition	Every 7,500 miles (12,000 km)										
Replace engine oil filter											
Check front and rear brakes											
Check parking brake adjustment											
Inspect the following items:											
Tie-rod ends, steering gearbox, and boots											
Suspension components	•	•	•		•	•	•	•	•	•	•
Driveshaft boots					<i>(Or every 1 year, whichever comes first)</i>						
Brake hoses and lines (including ABS)											
All fluid levels and condition of fluids											
Exhaust system [#]											
Fuel lines and connections [#]											
Inspect drive belts		•			•		•		•		•
					<i>(Or every 2 years, whichever comes first)</i>						
Replace air cleaner element		•			•		•		•		•
Replace fuel filter [#]					•				•		
Replace spark plugs								•			
Inspect valve clearance								•			
					<i>(Otherwise adjust only if noisy)</i>						
Replace automatic transmission fluid*1									•		
Replace manual transmission fluid									•		
					<i>(Or every 6 years, whichever comes first)</i>						
Inspect idle speed								•			
Replace timing belt and inspect water pump								•			
					<i>(Or every 7 years, whichever comes first)</i>						
Replace engine coolant	At 120,000 miles (192,000 km) or 10 years, then every 60,000 miles (96,000 km) or 5 years										
Replace brake fluid	Every 3 years (independent of mileage)										

* 1: Replace at 120,000 miles (192,000 km) or 6 years, then every 90,000 miles (144,000 km) or 5 years.

: See information on maintenance and emissions warranty, last column, page 136.

Service the items listed at the indicated distance (or time, if given).											
	miles x 1,000	15	30	45	60	75	90	105	120	135	150
	km x 1,000	24	48	72	96	120	144	168	192	216	240
Check engine oil and coolant		Check oil and coolant at each fuel stop									
Check tires		Check inflation and condition once a month									
Replace engine oil and oil filter		Every 3,750 miles (6,000 km) or every 6 months, whichever comes first									
Check tire inflation and condition		Every 7,500 miles (12,000 km)									
Check front and rear brakes Inspect the following items: Tie-rod ends, steering gearbox, and boots Suspension components Driveshaft boots		Every 7,500 miles (12,000 km) or every 6 months, whichever comes first									
Check parking brake adjustment Lubricate all hinges, locks and latches Inspect the following items: Brake hoses and lines (including ABS) All fluid levels and condition of fluids Exhaust system [#] , Fuel lines and connections [#] Lights and controls/vehicle underbody		•	•	•	•	•	•	•	•	•	•
					(Or every 1 year, whichever comes first)						
Inspect drive belts		•			•		•		•		•
					(Or every 2 years, whichever comes first)						
Clean or replace air cleaner element		Clean every 7,500 miles (12,000 km) or 6 months. Replace every 30,000 miles (24,000 km) or 2 years (Use normal schedule except in dusty condition)									
Replace fuel filter [#]					•				•		
Replace spark plugs								•			
Inspect valve clearance								•			
					(Otherwise adjust only if noisy)						
Replace automatic transmission fluid* ¹					•		•		•		•
Replace manual transmission fluid					•				•		
					(Or every 3 years, whichever comes first)						
Inspect idle speed								•			
Replace timing belt ^{#2} , and inspect water pump								•			
					(Or every 7 years, whichever comes first)						
Replace engine coolant		At 120,000 miles (192,000 km) or 10 years, then every 60,000 miles (96,000 km) or 5 years									
Replace brake fluid		Every 3 years (independent of mileage)									

* 1: Replace at 60,000 miles (96,000 km) or 3 years, then every 30,000 miles (48,000 km) or 2 years.

* 2: See timing belt on page 152 for replacement information under special driving conditions.

: See information on maintenance and emissions warranty, last column, page 136.

Maintenance Record *(for Normal and Severe Schedules)*

You or the servicing dealer can record all completed maintenance here, whether you follow the schedule for normal conditions (page 137) or severe conditions (page 138). Keep the receipts for all work done on your vehicle.

3,750 mi 6,000 km	Signature or dealer stamp	mi/km
		Date
7,500 mi 12,000 km		mi/km
		Date
11,250 mi 18,000 km		mi/km
		Date
15,000 mi 24,000 km		mi/km
		Date
18,750 mi 30,000 km		mi/km
		Date
22,500 mi 36,000 km		mi/km
		Date
26,250 mi 42,000 km		mi/km
		Date
30,000 mi 48,000 km		mi/km
		Date

33,750 mi 54,000 km	Signature or dealer stamp	mi/km
		Date
37,500 mi 60,000 km		mi/km
		Date
41,250 mi 66,000 km		mi/km
		Date
45,000 mi 72,000 km		mi/km
		Date
48,750 mi 78,000 km		mi/km
		Date
52,500 mi 84,000 km		mi/km
		Date
56,250 mi 90,000 km		mi/km
		Date
60,000 mi 96,000 km		mi/km
		Date

CONTINUED

Maintenance Record *(for Normal and Severe Schedules)*

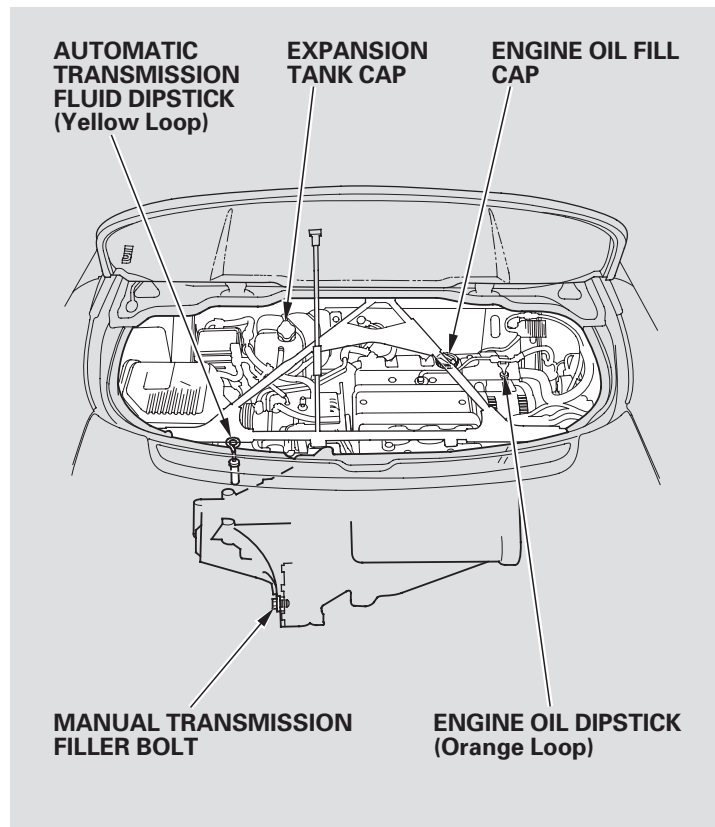
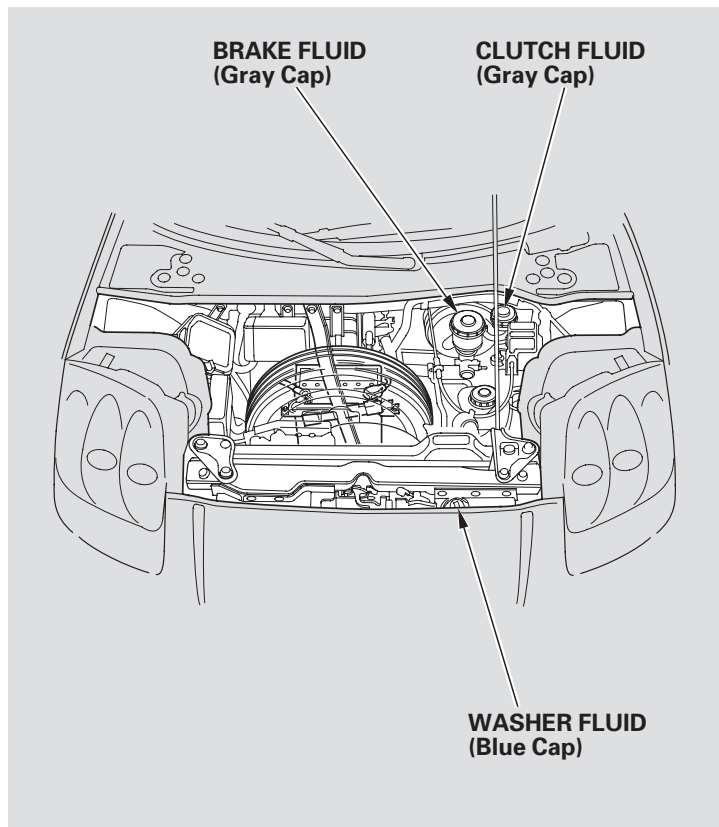
67,750 mi 102,000 km	Signature or dealer stamp	mi/km
		Date
67,500 mi 108,000 km		mi/km
		Date
71,250 mi 114,000 km		mi/km
		Date
75,000 mi 120,000 km		mi/km
		Date
78,750 mi 126,000 km		mi/km
		Date
82,500 mi 132,000 km		mi/km
		Date
86,250 mi 138,000 km		mi/km
		Date
90,000 mi 144,000 km		mi/km
		Date

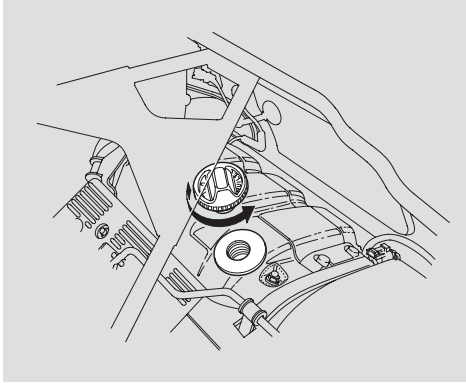
93,750 mi 150,000 km	Signature or dealer stamp	mi/km
		Date
97,500 mi 156,000 km		mi/km
		Date
101,250 mi 162,000 km		mi/km
		Date
105,000 mi 168,000 km		mi/km
		Date
108,750 mi 174,000 km		mi/km
		Date
112,500 mi 180,000 km		mi/km
		Date
116,250 mi 186,000 km		mi/km
		Date
120,000 mi 192,000 km		mi/km
		Date

Maintenance Record *(for Normal and Severe Schedules)*

123,750 mi 198,000 km	Signature or dealer stamp	mi/km
		Date
127,500 mi 204,000 km		mi/km
		Date
131,250 mi 210,000 km		mi/km
		Date
135,000 mi 216,000 km		mi/km
		Date
138,750 mi 222,000 km		mi/km
		Date
142,500 mi 228,000 km		mi/km
		Date
146,250 mi 234,000 km		mi/km
		Date
150,000 mi 240,000 km		mi/km
		Date

Fluid Locations



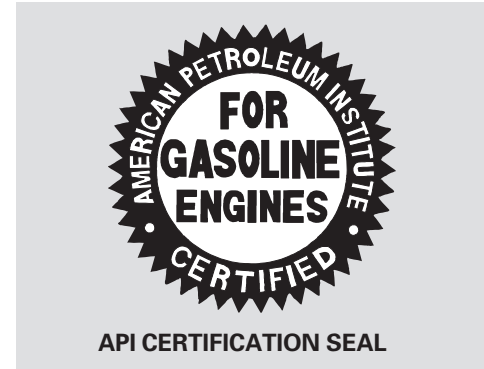


Unscrew and remove the engine oil fill cap on top of the valve cover. Pour in the oil slowly and carefully so you do not spill. Clean up any spills immediately. Spilled oil could damage components in the engine compartment. Install the engine oil fill cap, and tighten it securely. Wait a few minutes, and recheck the oil level. Do not fill above the upper mark; you could damage the engine.

Recommended Oil

Oil is major contributor to your engine's performance and longevity. Always use a premium-grade detergent oil displaying the API Certification Seal. This seal indicates the oil is energy conserving, and that it meets the American Petroleum Institute's latest requirements. It is highly recommended that you use Honda motor oil in your vehicle for as long as you own it.

Make sure the API Certification Seal says "For Gasoline Engines".

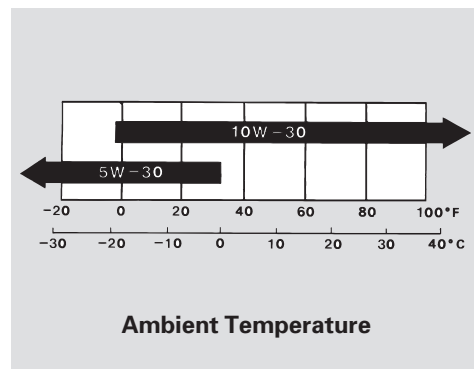


API CERTIFICATION SEAL

CONTINUED

Adding Engine Oil, Changing the Oil and Filter

The numbers on the container's label tell you the oil's viscosity or weight. Select the oil for your vehicle according to this chart.



An oil with a viscosity of 10W-30 is preferred for optimum fuel economy and year-round protection in your Acura. You may use a 5W-30 oil if the temperature in your area goes below 32°F (0°C).

Synthetic Oil

You may use a synthetic motor oil if it meets the same requirements given for a conventional motor oil: it displays the API Certification Seal and it is the proper weight. You must follow the oil and filter change intervals given in the maintenance schedule.

Engine Oil Additives

Your Acura does not require any oil additives. Additives may adversely affect your engine's or transmission's performance and durability.

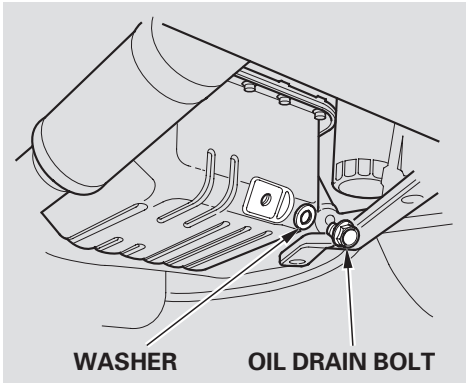
Changing the Oil and Filter

Always change the oil and filter according to the recommendations in the maintenance schedule. The oil and filter collect contaminants that can damage your engine if they are not removed regularly.

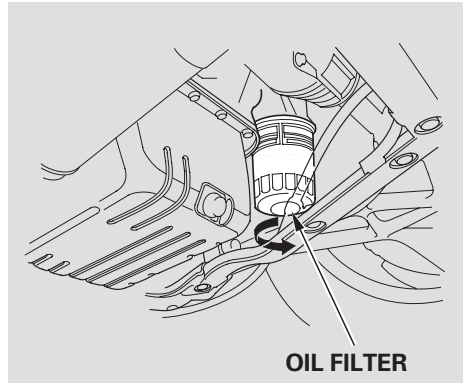
Changing the oil and filter requires special tools and access from underneath the vehicle. The vehicle should be raised on a service station-type hydraulic lift for this service. Unless you have the knowledge and proper equipment, you should have this maintenance done by a skilled mechanic.

1. Run the engine until it reaches normal operating temperature, then shut it off.

Changing the Oil and Filter



2. Open the engine compartment, and remove the engine oil fill cap. Remove the oil drain bolt from the bottom of the engine. Drain the oil into an appropriate container.



3. Remove the oil filter, and let the remaining oil drain. A special wrench (available from your Acura dealer) is required to remove the filter.
4. Install a new oil filter according to the instructions that come with it.

5. Put a new washer on the drain bolt, then reinstall the drain bolt. Tighten it to:
33 lbf·ft (45 N·m , 4.6 kgf·m)

6. Refill the engine with the recommended oil.

Engine oil change capacity
(including filter):
5.3 US qt (5.0 ℓ)

7. Replace the engine oil fill cap. Start the engine. The oil pressure indicator should go out within 5 seconds. If it does not, turn off the engine and check your work.
8. Let the engine run for several minutes, then check the drain bolt and oil filter for leaks.

CONTINUED

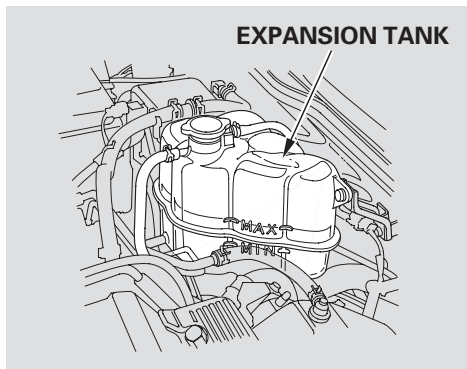
Changing the Oil and Filter, Engine Coolant

9. Turn off the engine, let it sit for several minutes, then check the oil level on the dipstick. If necessary, add more oil.

NOTICE

Improper disposal of engine oil can be harmful to the environment. If you change your own oil, please dispose of the used oil properly. Put it in a sealed container, and take it to a recycling center. Do not discard it in a trash bin or dump it on the ground.

Adding Engine Coolant



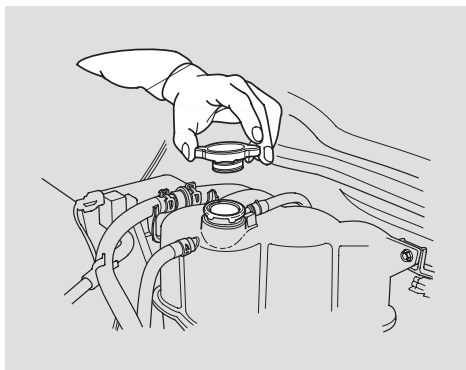
If the expansion tank is completely empty, add coolant to bring it up to the MAX line. Inspect the cooling system for leaks. Always use Honda All Season Antifreeze/Coolant Type 2. This coolant is pre-mixed with 50 percent antifreeze and 50 percent water. Never add straight antifreeze or plain water.

If Honda antifreeze/coolant is not available, you may use another major-brand non-silicate coolant as a temporary replacement. Make sure it is a high-quality coolant recommended for aluminum engines. Continued use of any non-Honda coolant can result in corrosion, causing the cooling system to malfunction or fail. Have the cooling system flushed and refilled with Honda antifreeze/coolant as soon as possible.

⚠ WARNING

Removing the expansion tank cap while the engine is hot can cause the coolant to spray out, seriously scalding you.

Always let the engine and radiator cool down before removing the expansion tank cap.



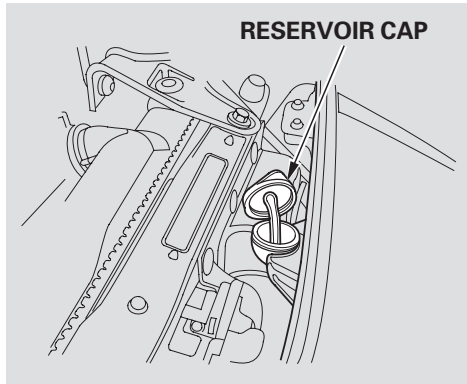
1. When the radiator and engine are cool, relieve any pressure in the cooling system by turning the expansion tank cap counterclockwise, without pressing down.
2. Remove the expansion tank cap by pushing down and turning counterclockwise.

3. Pour coolant into the expansion tank. Fill it to the MAX line. Put the cap back on the expansion tank.

Pour the coolant slowly and carefully so you do not spill. Clean up any spill immediately; it could damage components in the engine compartment.

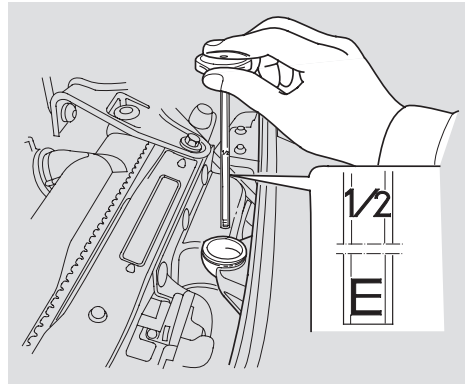
Do not add any rust inhibitors or other additives to your vehicle's cooling system. They may not be compatible with the coolant or engine components.

Windshield Washers



Check the level in the windshield washer reservoir at least monthly during normal use.

The windshield washer reservoir is located in the front compartment in front of the radiator.



Check the windshield washer fluid level as follows:

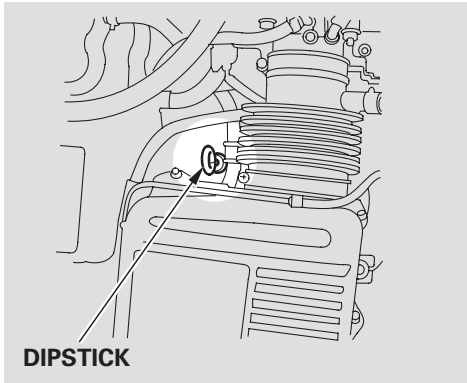
1. Unfasten the reservoir cap.
2. Cover the small hole in the center of the cap with your finger and pull up until the tube is fully exposed.

3. Read the fluid level in the tube. If the fluid level is near the "E" mark, fill the reservoir with windshield washer fluid up to the brim.

Fill the reservoir with a good-quality windshield washer fluid. This increases the cleaning capability and prevents freezing in cold weather. When you refill the reservoir, clean the edges of the windshield wiper blades with windshield washer fluid on a clean cloth. This will help to condition them.

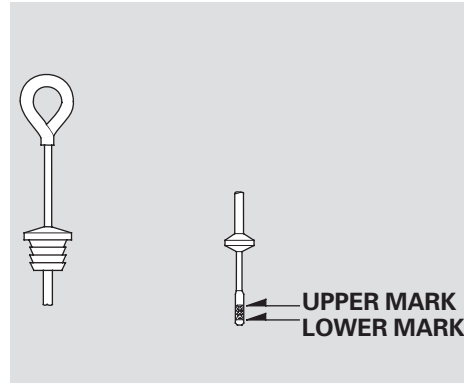
NOTICE: Do not use engine antifreeze or a vinegar/water solution in the windshield washer reservoir. Antifreeze can damage your vehicle's paint, while a vinegar/water solution can damage the windshield washer pump. Use only commercially available windshield washer fluid.

Automatic Transmission Fluid



Check the fluid level with the engine at normal operating temperature.

1. Park the vehicle on level ground. Shut off the engine.
2. Remove the dipstick (yellow loop) from the transmission, and wipe it with a clean cloth.



3. Insert the dipstick into the transmission. Make sure the notch in the rubber cap fits in the dipstick guide and that you push the dipstick in all the way.
4. Remove the dipstick and check the fluid level. It should be between the upper and lower marks.

5. If the level is below the lower mark, add fluid into the filler hole to bring it to the upper mark.

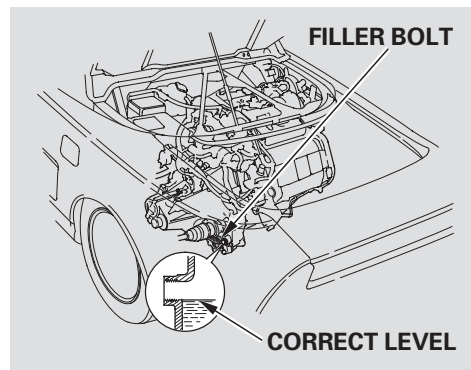
Always use Honda ATF-Z1 (Automatic Transmission Fluid). If it is not available, you may use a DEXRON® III automatic transmission fluid as a temporary replacement. However, continued use can affect the shift quality. Have the transmission flushed and refilled with Honda ATF-Z1 as soon as it is convenient. To thoroughly flush the transmission, the technician should drain and refill it with Honda ATF-Z1 (Automatic Transmission Fluid), then drive the vehicle for a short distance. Do this three times. Then drain and refill the transmission a final time.

Automatic Transmission Fluid, Manual Transmission Fluid

6. Insert the dipstick all the way back into the transmission.

The transmission should be drained and refilled with new fluid according to the time and distance recommendations in the maintenance schedule.

Manual Transmission Fluid



Check the fluid level with the transmission at normal operating temperature and the vehicle sitting on level ground. Remove the transmission filler bolt, and carefully feel inside the bolt hole with your finger. The fluid level should be up to the edge of the bolt hole. If it is not, add Honda Manual Transmission Fluid (MTF) until it starts to run out of the hole. Reinstall the filler bolt and tighten it securely.

If Honda MTF is not available, you may use an SAE 10W-30 or 10W-40 viscosity motor oil with the API Certification seal that says "For Gasoline Engines" as a temporary replacement. However, motor oil does not contain the proper additives, and continued use can cause stiffer shifting. Replace as soon as it is convenient.

The transmission should be drained and refilled with new fluid according to the time and distance recommendations in the maintenance schedule.

Check the fluid level in the reservoirs monthly.

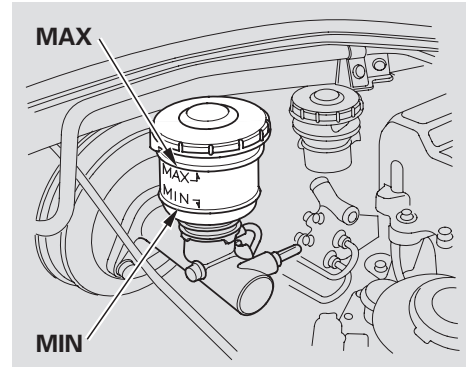
Replace it according to the time recommendation in the maintenance schedule.

Brake Fluid

Always use Honda Heavy Duty Brake Fluid DOT 3. If it is not available, you should use only DOT 3 or DOT 4 fluid, from a sealed container, as a temporary replacement. Using any non-Honda brake fluid can cause corrosion and decrease the life of the system. Have the brake system flushed and refilled with Honda Heavy Duty Brake Fluid DOT 3 as soon as possible.

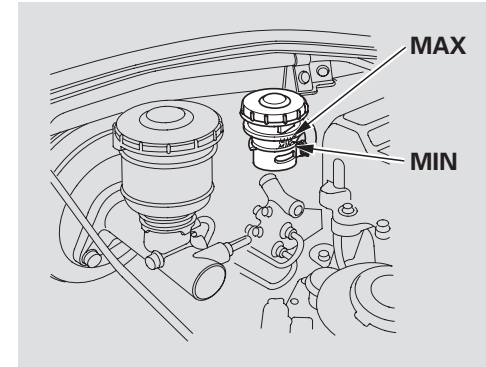
Brake fluid marked DOT 5 is not compatible with your vehicle's braking system and can cause extensive damage.

Brake System



The fluid level should be between the MIN and MAX marks on the side of the reservoir. If the level is at or below the MIN mark, your brake system needs attention. Have the brake system inspected for leaks or worn brake pads.

Clutch System

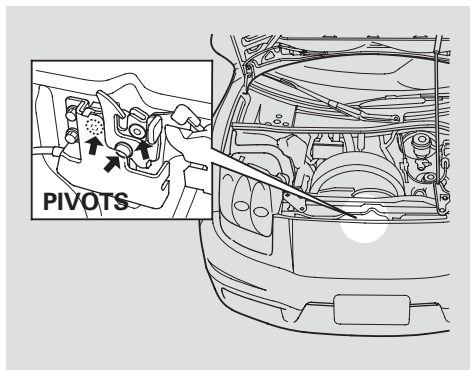


The fluid level should be between the MIN and MAX marks on the side of the reservoir. If it is not, add brake fluid to bring it up to that level. Use the same fluid specified for the brake system.

Low fluid level can indicate a leak in the clutch system. Have this system inspected as soon as possible.

Hood Latch, Timing Belt

Hood Latch



Clean the hood latch assembly with a mild cleaner, then lubricate it with a multipurpose grease. Lubricate all the moving parts, including the pivot. Follow the time and distance recommendations in the Maintenance Schedule. If you are not sure how to clean and grease the latch, contact your Acura dealer.

Timing Belt

The timing belt should be replaced at the intervals shown in the maintenance schedule.

Replace the belt at 60,000 miles (100,000 km) if you regularly drive your vehicle in one or more of these conditions:

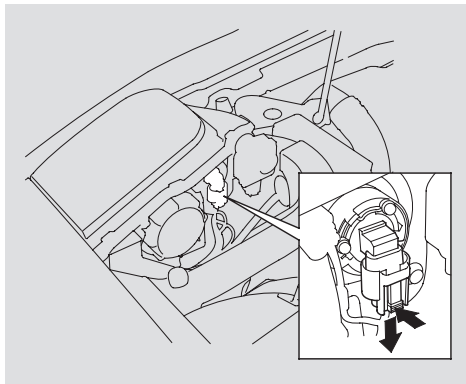
- In very high temperatures (over 110°F, 43°C).
- In very low temperatures (under -20°F, -29°C).

Replacing a Headlight Bulb

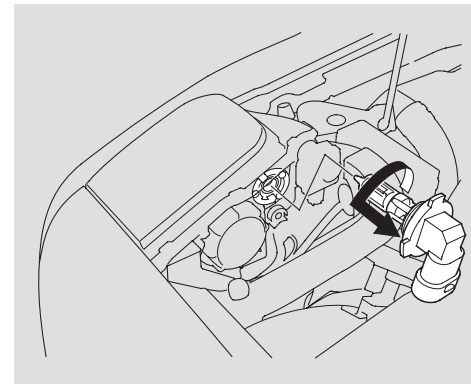
The low beam headlight bulbs are a type of high voltage discharge tube. High voltage can remain in the circuit even with the light switch off and the key removed. Because of this, you should not attempt to examine or change a low beam headlight bulb yourself. If a low beam headlight bulb fails, take the vehicle to your dealer to have it replaced.

Halogen bulbs are used for the high beam headlight bulbs. When replacing a high beam headlight bulb, handle it by its base, and protect the glass from contact with your skin or hard objects. If you touch the glass, clean it with denatured alcohol and a clean cloth.

NOTICE: *Halogen headlight bulbs get very hot when lit. Oil, perspiration, or a scratch on the glass can cause the bulb to overheat and shatter.*



1. Open the hood.
2. Remove the electrical connector from the bulb by squeezing the connector to unlock the tab, then slide the connector off the bulb.



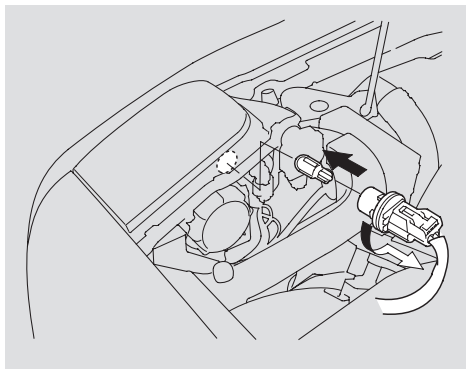
3. Remove the bulb by turning it approximately one-quarter turn counterclockwise.
4. Insert the new bulb into the hole and turn it one-quarter turn clockwise to lock it in place.

CONTINUED

Lights

5. Push the electrical connector back onto the bulb. Make sure it is on all the way.
6. Turn on the headlights to test the new bulb.

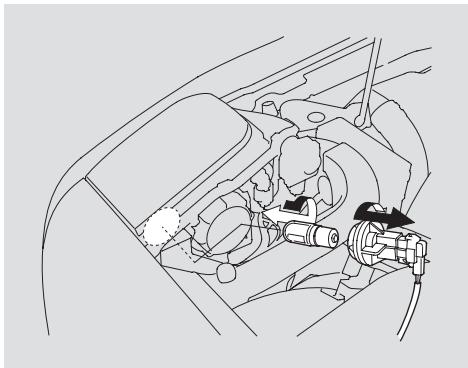
Replacing the Front Parking Lights



1. Remove the socket from the headlight assembly by turning it one-quarter turn counterclockwise.
2. Pull the bulb straight out of its socket.
3. Install the new bulb into the socket.

4. Insert the socket back into the headlight assembly. Turn it clockwise to lock it in place.
5. Test the lights to make sure the new bulb is working.

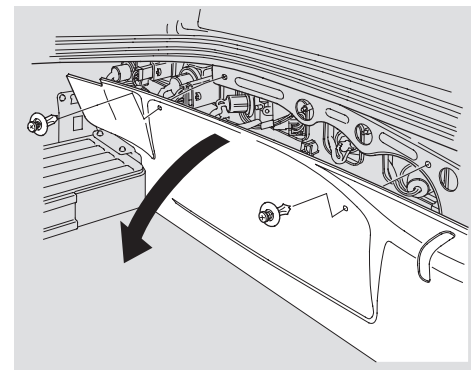
Replacing a Front Turn Signal Bulb



1. Remove the socket from the headlight assembly by turning it one-quarter turn counterclockwise.

2. Remove the bulb by pushing it in slightly and turning it counterclockwise.
3. Install the new bulb into the socket.
4. Insert the socket back into the headlight assembly. Turn it clockwise to lock it in place.
5. Test the lights to make sure the new bulb is working.

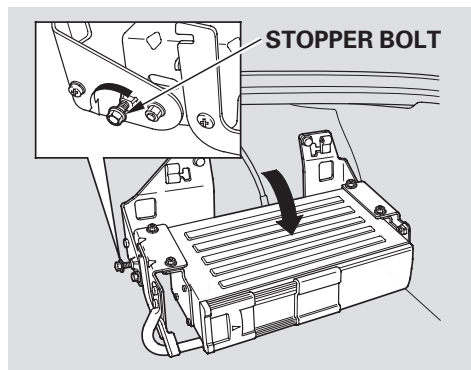
Replacing the Rear Bulbs



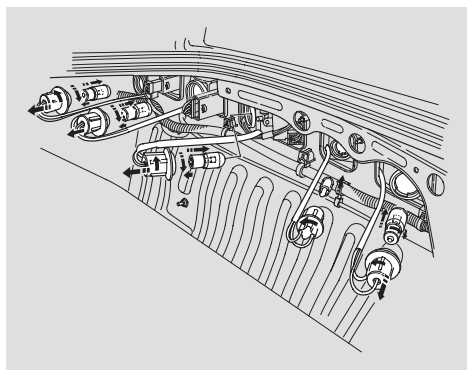
The bulbs for the taillights, tail/stoplights, rear turn signals, and back-up lights are behind the trunk liner.

1. Pull the top edge of the trunk liner out from under the rubber seal. Remove the plastic clips holding the trunk liner by putting your thumbs under the head of the clip between the liner and body and pushing the clip outward as you wiggle it back and forth.

Lights



2. On the passenger's side, loosen the 6 mm stopper bolt using the tool in the tool kit and pivot the CD changer downward as shown before you start working on the trunk liner.
3. Determine which bulb in the taillight assembly is burned out.



4. Remove the socket from the taillight assembly by turning it one-quarter turn counterclockwise and pulling it outward.
5. If the turn signal light bulb, backup bulb, or tail/stoplight bulb is burned out, remove it by pushing it in and turning it counterclockwise. If the taillight bulb is burned out, remove it by pulling it straight out of its socket.

6. Install the new bulb in the socket in the reverse order of removal.
7. To reinstall the socket, line up the tabs on the socket with the slots in the taillight, push the socket into the hole, and turn it clockwise until it locks.
8. Test the lights to make sure the new bulb is working.
9. On the passenger's side, pivot the CD changer to the upright position, and tighten the bolt securely.
10. Install the trunk liner clips by pushing them straight in. Insert the top edge of the liner back under the rubber seal.

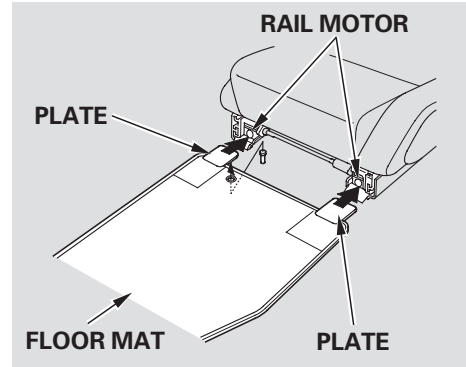
Seat Belts, Floor Mats, Power Antenna

Seat Belts

If your seat belts get dirty, use a soft brush with a mixture of mild soap and warm water to clean them. Do not use bleach, dye, or cleaning solvents. Let the belts air dry before you use the vehicle.

Dirt build-up in the loops of the seat belt anchors can cause the belts to retract slowly. Wipe the insides of the loops with a clean cloth dampened in mild soap and warm water or isopropyl alcohol.

Floor Mats



The driver's floor mat that came with your vehicle hooks over the floor mat anchor. This keeps the floor mat from sliding forward and possibly interfering with the pedals.

The plates on both the driver's and passenger's floor mats should be inserted between the rail motor and seat rails underneath the seats.

If you remove the driver's floor mat, make sure to re-anchor it when you put it back in your vehicle.

If you use a non-Acura floor mat, make sure it fits properly and that it can be used with the floor mat anchor. Do not put additional floor mats on top of the anchored mat.

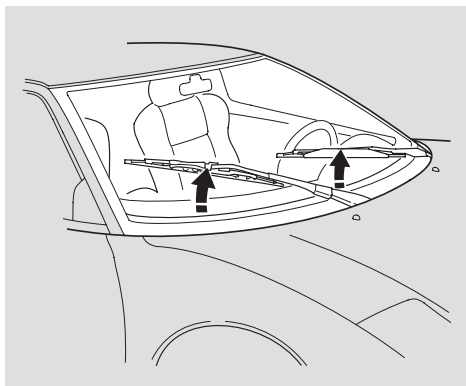
Power Antenna

Twice a year, clean the antenna mast with a dry cloth and mild detergent. Scrub the antenna in upward strokes to avoid bending it. Rinse with water.

Make sure the antenna works smoothly by turning the stereo off and on several times with the ignition switch ON (II). The antenna does not need lubricating. If you use a "drive-through" car wash, make sure you turn the stereo off first. This retracts the antenna to prevent damage from the car wash brushes.

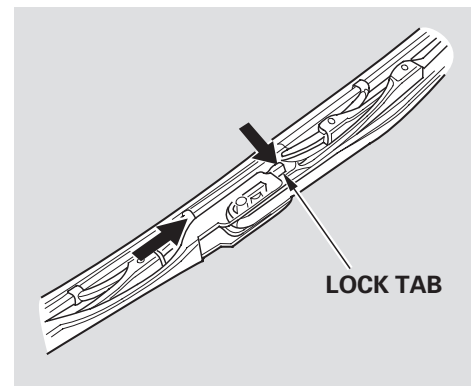
Wiper Blades

Check the condition of the wiper blades at least every six months. Replace them if you find signs of cracking in the rubber, and areas that are getting hard, or if they leave streaks and unwiped areas when used.

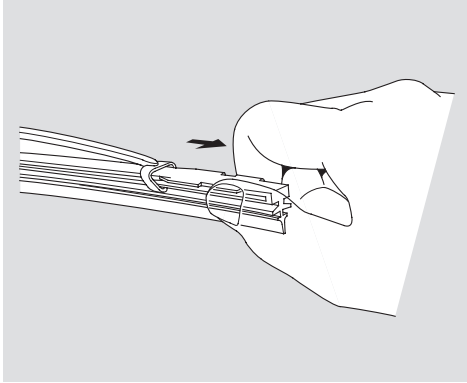


To replace the blade:

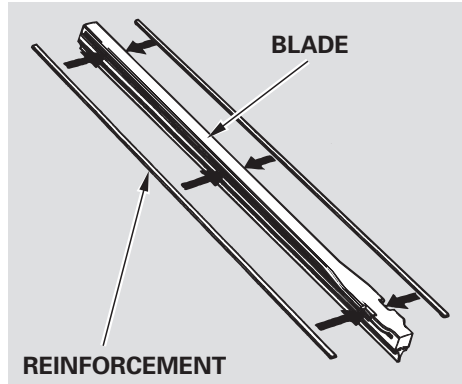
1. Turn the ignition ON (II), switch the wipers to INT or — (low position), then turn the ignition OFF when the wiper arm is approximately midway in its travel.



2. Disconnect the blade assembly from the wiper arm by pushing in the lock tab. Hold the lock tab in while you push the blade assembly toward the base of the arm.



3. Remove the blade from its holder by grasping the tabbed end of the blade. Pull firmly until the tabs come out of the holder.



4. Examine the new wiper blades. If they have no plastic or metal reinforcement along the back edge, remove the metal reinforcement strips from the old wiper blade, and install them in the slots along the edge of the new blade.

5. Slide the new wiper blade into the holder until the tabs lock.
6. Slide the wiper blade assembly onto the wiper arm. Make sure it locks in place.
7. Turn the ignition switch ON (II) and return the windshield wipers to their park position.

Tires

To safely operate your vehicle, your tires must be the proper type and size, in good condition with adequate tread, and correctly inflated.

The following pages give more detailed information on how to take care of your tires and what to do when they need to be replaced.

▲ WARNING

Using tires that are excessively worn or improperly inflated can cause a crash in which you can be seriously hurt or killed.

Follow all instructions in this owner's manual regarding tire inflation and maintenance.

Inflation

Keeping the tires properly inflated provides the best combination of handling, tread life, and riding comfort.

- Underinflated tires wear unevenly, adversely affect handling and fuel economy, and are more likely to fail from being overheated.
- Overinflated tires can make your vehicle ride more harshly, are more prone to damage from road hazards, and wear unevenly.

We recommend that you visually check your tires every day and use the pressure gauge that came with your vehicle to measure the air pressure at least once a month. If you think a tire might be low, check it immediately.

Recommended Tire Pressures for Normal Driving

The following chart shows the recommended cold tire pressures for most normal driving conditions and speeds. Tire pressures for high speed driving are the same as for normal driving.

Front:

Tire Size	Cold Tire Pressure for Normal Driving
215/40R17 83Y	33 psi (230 kPa , 2.3 kgf/cm ²)

Rear:

Tire Size	Cold Tire Pressure for Normal Driving
255/40R17 94Y	40 psi (275 kPa , 2.8 kgf/cm ²)

The compact spare tire pressure is:

Front:

26 psi (180 kPa , 1.8 kgf/cm²)

Rear:

32 psi (220 kPa , 2.2 kgf/cm²)

For convenience, the recommended tire sizes and cold air pressures are on a label on the driver's doorjamb.

For additional technical information, see page [204](#).

Use a gauge to measure the air pressure at least once a month. Even tires that are in good condition may lose one to two psi (10 to 20 kPa, 0.1 to 0.2 kgf/cm²) per month. Remember to check the spare tire at the same time.

Check the pressure in the tires when they are cold. This means the vehicle has been parked for at least three hours, or driven less than 1 mile (1.6 km).

Add or release air, if needed, to match the recommended cold tire pressures on page [160](#).

If you check the pressure when the tires are hot (driven for several miles), you will see readings 4 to 6 psi (30 to 40 kPa, 0.3 to 0.4 kgf/cm²) higher than the cold reading. This is normal. Do not release air to match the cold pressure.

Tubeless tires have some ability to self-seal if they are punctured. You should look closely for punctures if a tire starts losing pressure.

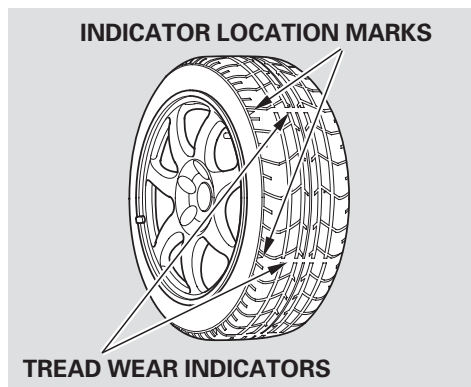
Use the pressure gauge that came with your vehicle every time you check the tires. This will make it easier for you to tell if a pressure loss is due to a tire problem and not due to a variation between gauges.

Tire Inspection

Every time you check inflation, you should also examine the tires for damage, foreign objects, and wear. You should look for:

- Bumps or bulges in the tread or side of the tire. Replace the tire if you find either or these conditions.
- Cuts, splits, or cracks in the side of the tire. Replace the tire if you can see fabric or cord.
- Excessive tread wear.

Tires



Your vehicle's tires have wear indicators molded into the tread. When the tread wears down to that point, you will see a 1/2 inch (12.7 mm) wide band running across the tread. This shows there is less than 1/16 inch (1.6 mm) of tread left on the tire. A tire that is this worn gives very little traction on wet roads. You should replace the tire if you can see the tread wear indicator in three or more places around the tire.

Tire Maintenance

In addition to proper inflation, correct wheel alignment helps to decrease tire wear. If you find a tire is worn unevenly, have your dealer check the wheel alignment.

Have your dealer check the tires if you feel a consistent vibration while driving. A tire should always be rebalanced if it is removed from the wheel. When you have new tires installed, make sure they are balanced. This increases riding comfort and tire life. For best results, have the installer perform a dynamic balance.

NOTICE: *Improper wheel weights can damage your vehicle's aluminum wheels. Use only Acura wheel weights for balancing.*

Tire Rotation

You should not rotate your Acura's tires. The front and rear tires are different sizes, so they cannot be rotated front-to-rear. The original-equipment tires on your Acura have a unidirectional tread pattern, so they cannot be rotated side-to-side.

Tire Wear

The tires that came on your vehicle were designed and constructed to provide superior grip during acceleration, braking, and cornering. As a trade-off, they will wear more rapidly than tires used on ordinary passenger vehicles. Because of the vehicle's weight distribution, and the fact that they are the driving wheels, you may expect the rear tires to wear more rapidly than the front tires.

The tire mileage you can expect from your NSX is the same as comparable mid-and rear-engined sports cars, and it will vary greatly with your driving habits. If you drive moderately, the rear tires could last more than 10,000 miles (16,000 km). However, the mileage will be substantially less if you tend to drive your NSX at the upper limits of its capabilities. You should carefully inspect your vehicle's tires for wear, damage, and proper inflation every 7,500 miles (12,000 km) (see page 160).

Replacing Tires

Replace your tires with radial tires of the same size, load range, speed rating and maximum cold tire pressure rating (as shown on the tire's side wall).

Mixing radial and bias-ply tires on your vehicle can reduce braking ability, traction, and steering accuracy. Using tires of a different size or construction can cause the ABS to work inconsistently.

It is best to replace all four tires at the same time. If that is not possible or necessary, replace the two front tires or two rear tires as a pair.

Replacing just one tire can seriously affect your vehicle's handling.

If you ever replace a wheel, make sure that the wheel's specifications match those of the original wheels.

⚠ WARNING

Installing improper tires on your vehicle can affect handling and stability. This can cause a crash in which you can be seriously hurt or killed.

Always use the size and type of tires recommended in this owner's manual.

Wheel and Tire Specifications

Wheels:

Front:

17 x 7 JJ

Rear:

17 x 9 JJ

Tires:

Front:

215/40R17 83Y

Rear:

255/40R17 94Y

See page [204](#) for DOT tire quality grading information, and page [206](#) for tire size explanation.

Winter Driving

Tires marked “M + S” or “All Season” on the sidewall have an all-weather tread design suitable for most winter driving conditions.

For the best performance in snowy or icy conditions, you should install snow tires or tire chains. They may be required by local laws under certain conditions.

Snow Tires

If you mount snow tires on your Acura, make sure they are radial tires of the same size and load range as original tires. Mount snow tires on all four wheels. The traction provided by snow tires on dry roads may be lower than your original tires. Check with the tire dealer for maximum speed recommendations.

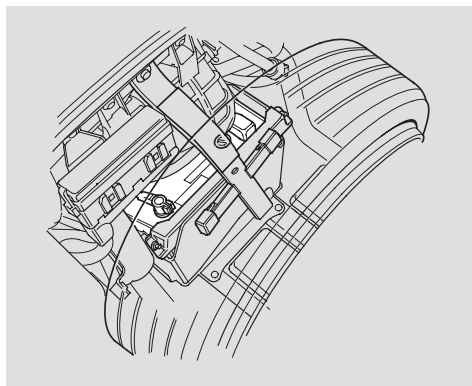
Tire Chains

Because your Acura has limited tire clearance, mount only SAE Class “S” cable-type traction devices, with rubber chain tensioners on the rear tires. Use traction devices only when required by driving conditions or local laws. Make sure they are the correct size for your tires. Metal link-type “chains” should not be used.

When installing cables, follow the manufacturer’s instructions, and mount them as tight as you can. Make sure they are not contacting the brake lines or suspension. Drive slowly with them installed. If you hear them coming into contact with the body or chassis, stop and investigate. Remove them as soon as you begin driving on cleared roads.

NOTICE: *Traction devices that are the wrong size or improperly installed can damage your vehicle’s brake lines, suspension, body, and wheels. Stop driving if they are hitting any part of the vehicle.*

Checking the Battery



Check the condition of the battery monthly by looking at the test indicator window. The label on the battery explains the test indicator's colors.

Check the terminals for corrosion (a white or yellowish powder). To remove it, cover the terminals with a solution of baking soda and water. It will bubble up and turn brown. When this stops, wash it off with plain water. Dry off the battery with a

cloth or paper towel. Coat the terminals with grease to help prevent future corrosion.

If additional battery maintenance is needed, see your Acura dealer or a qualified technician.

WARNING: Battery posts, terminals, and related accessories contain lead and lead compounds. **Wash your hands after handling.**

If you need to connect the battery to a charger, disconnect both cables to prevent damaging your vehicle's electrical system. Always disconnect the negative (–) cable first, and reconnect it last.

If you need to charge the battery after storing the vehicle, make sure you do it outside the vehicle. Do not connect a battery charger to the jump start terminal in the engine compartment fuse box.

Disconnect the terminals to prevent damage to the vehicle's electrical system, and remove the battery from the front compartment so hydrogen gas does not build up during charging. You need to remove the spare tire holder before removing the battery.

⚠ WARNING

The battery gives off explosive hydrogen gas during normal operation.

A spark or flame can cause the battery to explode with enough force to kill or seriously hurt you.

Wear protective clothing and a face shield, or have a skilled mechanic do the battery maintenance.

If you need to park your vehicle for an extended period (more than one month), there are several things you should do to prepare it for storage. Proper preparation helps prevent deterioration and makes it easier to get your vehicle back on the road. If possible, store your vehicle indoors.

- Fill the fuel tank.
- Change the engine oil and filter.
- Wash and dry the exterior completely.
- Clean the interior. Make sure the carpeting, floor mats, etc., are completely dry.
- Leave the parking brake off. Put the transmission in Reverse (6-speed manual) or Park (automatic).
- Block the rear wheels.
- If the vehicle is to be stored for a longer period, it should be supported on jackstands so the tires are off the ground.
- Leave one window open slightly (if the vehicle is being stored indoors).
- Disconnect the battery.
- Support the front wiper blade arms with a folded towel or rag so they do not touch the windshield.
- To minimize sticking, apply a silicone spray lubricant to all door and trunk seals. Also, apply a vehicle body wax to the painted surfaces that mate with the door and trunk seals.
- Cover the vehicle with a “breathable” cover, one made from a porous material such as cotton. Nonporous materials, such as plastic sheeting, trap moisture, which can damage the paint.
- If possible, periodically run the engine until it reaches operating temperature (the cooling fan cycles twice). Preferably, do this once a month.

If you store your vehicle for 12 months or longer, have your Acura dealer perform the inspections called for in the 24 months/30,000 miles (48,000 km) maintenance schedule (Normal Conditions) as soon as you take it out of storage (see page [137](#)). The replacements called for in the maintenance schedule are not needed unless the vehicle has actually reached that time or mileage.

This section covers the more common problems that motorists experience with their vehicles. It gives you information about how to safely evaluate the problem and what to do to correct it. If the problem has stranded you on the side of the road, you may be able to get going again. If not, you will also find instructions on getting your vehicle towed.

Changing a Flat Tire	170
If the Engine Won't Start.....	183
Jump Starting	185
If the Engine Overheats	187
Low Oil Pressure Indicator	189
Charging System Indicator.....	189
Malfunction Indicator Lamp	190
Brake System Indicator	191
Fuses	192
Fuse Locations.....	194
If Your Vehicle Gets Stuck.....	196
Emergency Towing	197

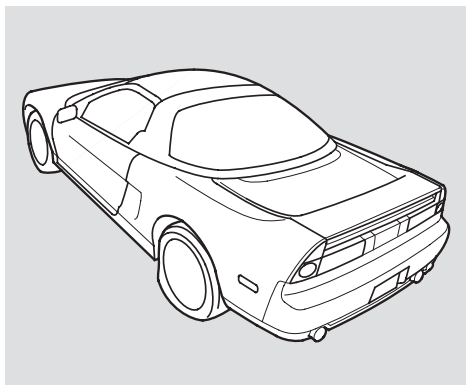
Changing a Flat Tire

If you have a flat tire while driving, stop in a safe place to change it. Drive slowly along the shoulder until you get to an exit or an area to stop that is far away from the traffic lanes.

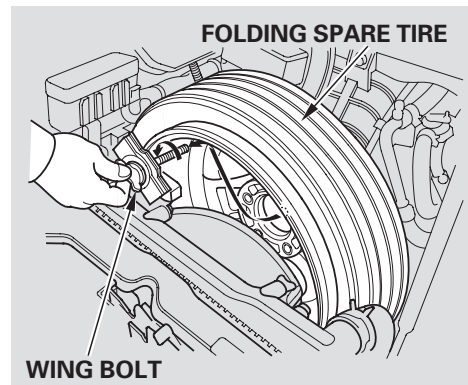
⚠ WARNING

The vehicle can easily roll off the jack, seriously injuring anyone underneath.

Follow the directions for changing a tire exactly, and never get under the vehicle when it is supported only by the jack.



1. Park the vehicle on firm, level, and non-slippery ground away from traffic. Put the transmission in Park (automatic) or Reverse (manual). Apply the parking brake.
2. Turn on the hazard warning lights, and turn the ignition switch to LOCK (0). Have your passenger get out of the vehicle while you change the tire.



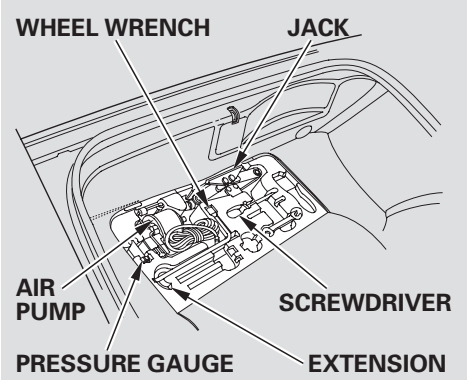
3. Open the hood (see page 108). Unscrew the wing bolt holding the folding spare tire. Remove the folding spare tire from the compartment. The wing bolt and wheel may be very warm from the air passing through the radiator. Use a cloth or gloves (not provided) to protect your hands when removing the spare tire.

Changing a Flat Tire

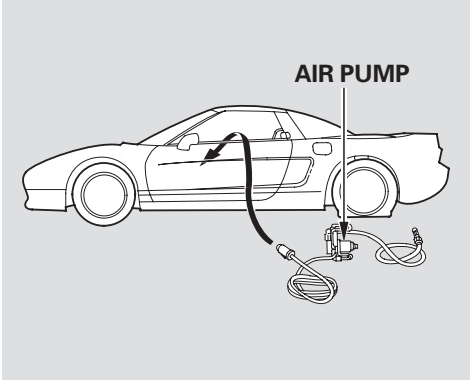
CAUTION

The radiator's electric fan runs automatically, even with the ignition off. The fan's blades can injure you.

Keep your hands, arms, and clothing away from the fan when removing the spare tire.



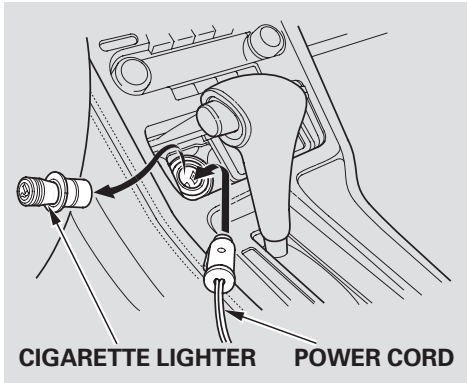
4. Open the trunk (see page 59). Lift the cover; remove the jack, wheel wrench, extension, air pump, pressure gauge, and screwdriver from the trunk. The tools may become very hot while the vehicle is being driven. Wear gloves or use a protective cloth when handling the tools.



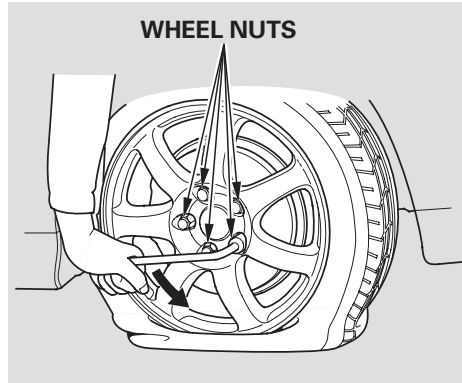
5. Place the air pump near the flat tire. Open the nearest window, and route the air pump's power cord through the open window.

CONTINUED

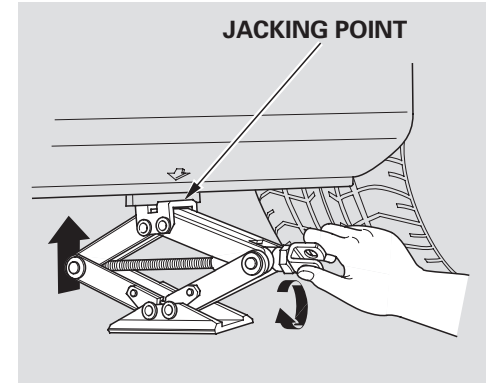
Changing a Flat Tire



6. Remove the cigarette lighter from its socket and plug the power cord end into the socket. Make sure the key is in the ignition switch at LOCK (0).



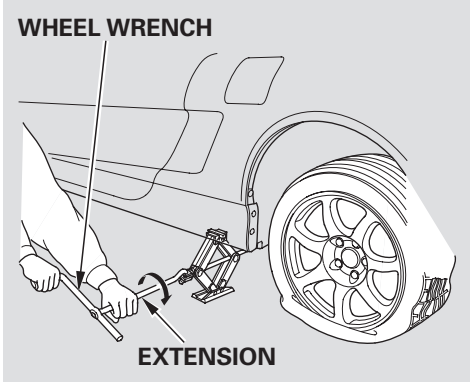
7. Loosen the five wheel nuts 1/2 turn with the wheel wrench.



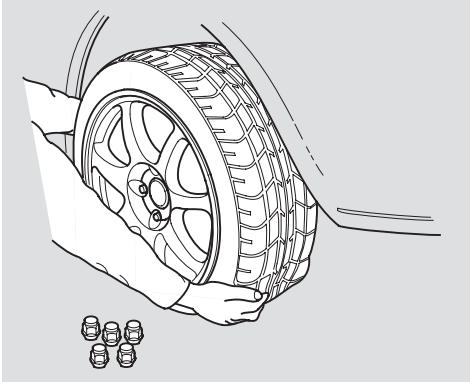
8. Locate the jacking point nearest the tire you need to change. It is pointed to by an arrow molded into the underside of the body. Place the jack under the jacking point. Turn the end bracket clockwise until the top of the jack contacts the jacking point. Make sure the jacking point tab is resting in the jack notch.

Changing a Flat Tire

NOTICE: *Garage-type floor jacks and jacks of similar design can damage your vehicle's underbody, even if they are located on the jacking point. Only use the scissors jack that comes with your NSX to raise the vehicle.*



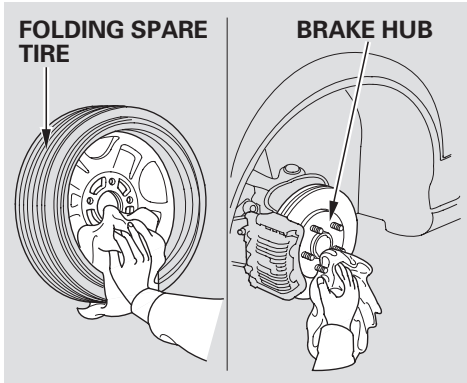
9. Use the extension and wheel wrench as shown to raise the vehicle until the flat tire is off the ground.



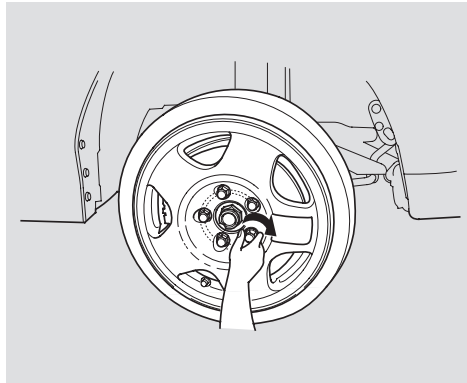
10. Remove the wheel nuts and flat tire. Temporarily place the flat tire on the ground with the outside surface of the aluminum wheel facing up. Placing the wheel face down could mar its finish.

CONTINUED

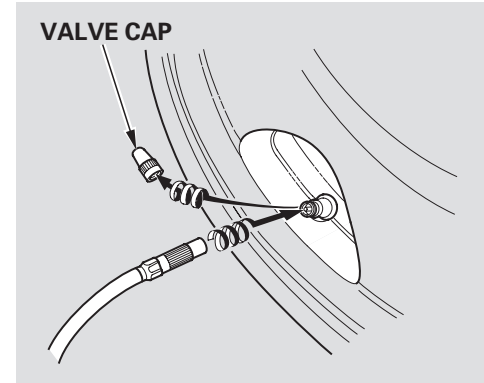
Changing a Flat Tire



11. Before you put on the folding spare tire, wipe any dirt off the mounting surface of the wheel and hub with a clean cloth. This will assure a tight, even contact between the wheel and hub.

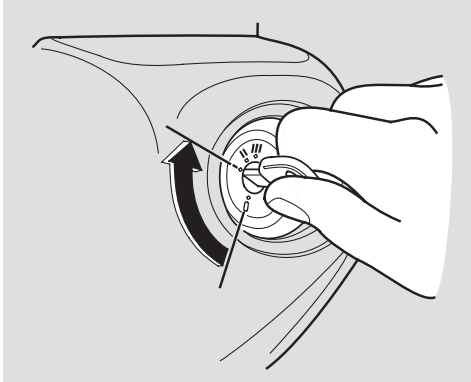


12. Put on the folding spare tire with the air valve toward the bottom. Put the wheel nuts back on finger-tight, then tighten them in a crisscross pattern with the wheel wrench until the wheel is firmly against the hub. Do not try to tighten them fully. Inflate the folding spare tire only when it is on the vehicle. Inflating it while it is lying on the ground may trap stones or other foreign matter between the tire and the wheel rim.



13. Unscrew the valve cap from the folding spare tire's air valve by turning it counterclockwise. Then screw on the air pump hose.

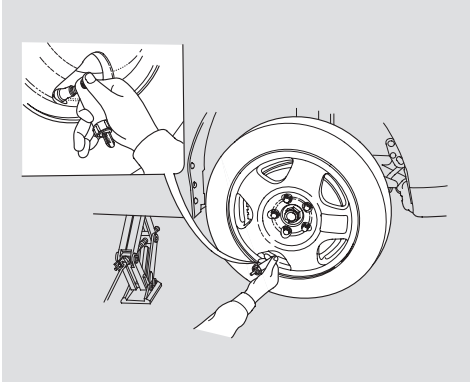
Changing a Flat Tire



14. Reach into the vehicle and turn the ignition switch to ACCESSORY (I). This will start the air pump to inflate the tire.

NOTICE: Do not climb into the vehicle when it is on the jack. You could cause the vehicle to roll off the jack, damaging the suspension and body.

Keep your fingers and clothing away as the tire inflates and unfolds from its compact size.

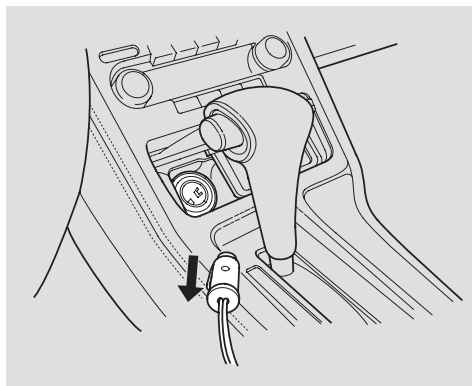


15. After about five minutes, unscrew the air pump hose and check the pressure with the supplied pressure gauge. Inflate to:

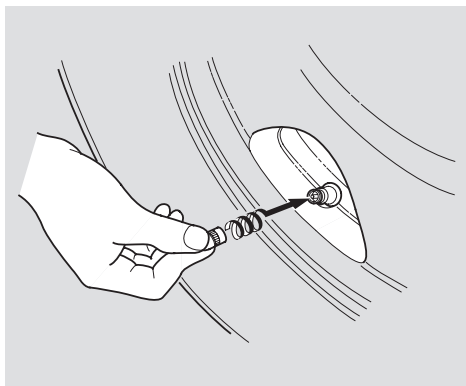
- Front:
26 psi (180 kPa , 1.8 kgf/cm²)
- Rear:
32 psi (220 kPa , 2.2 kgf/cm²)

CONTINUED

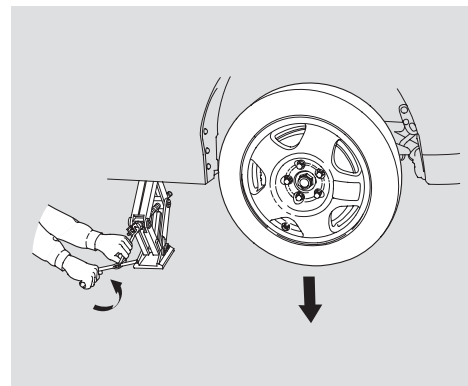
Changing a Flat Tire



16. When finished, reach in and turn the ignition switch to LOCK (0). Unplug the air pump power cord.

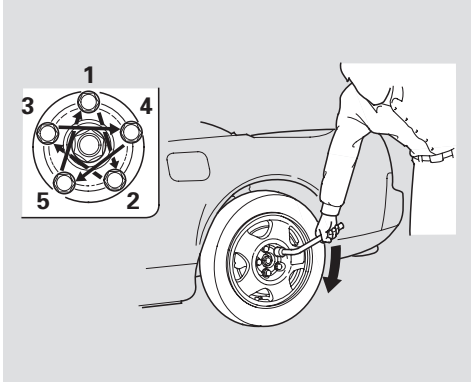


17. Screw the valve cap on the valve tightly with your hands.



18. Lower the vehicle to the ground and remove the jack.

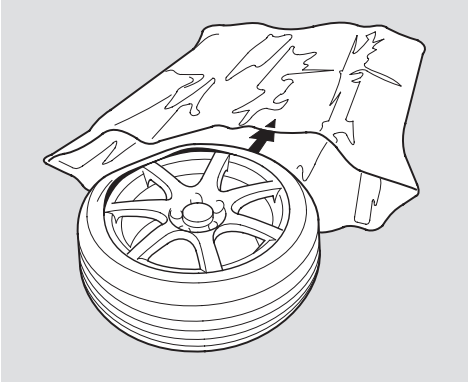
Changing a Flat Tire



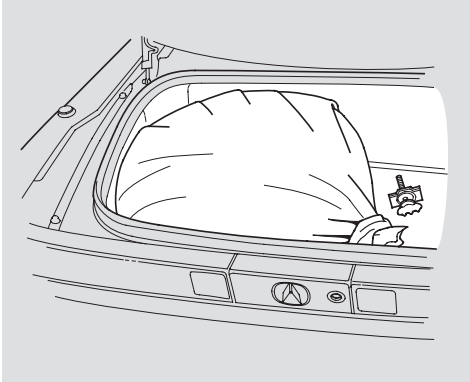
19. Tighten the wheel nuts securely in the same crisscross pattern. Have the wheel nut torque checked at the nearest automotive service facility.

Tighten the wheel nuts to:
80 lbf·ft (108 N·m , 11 kgf·m)

20. Store the jack, wheel wrench, extension, air pump, pressure gauge and screwdriver in the trunk.



21. Put the flat tire in the supplied vinyl bag. This bag is stored in the glove box.



22. Slide the tire in the trunk well with the outside surface of the aluminum wheel facing up.

CONTINUED

Changing a Flat Tire

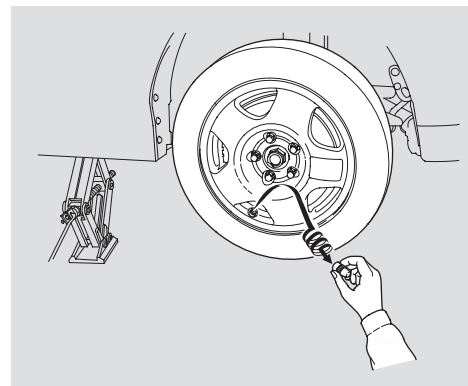
23. Temporarily keep the wing bolt in the trunk as well. See **Replacing Tires** on page 163 for tire replacement.

Storing the Folding Spare Tire

Before returning the folding spare tire to its compartment, you must let out all the air. It will fold back to its original space saving shape.

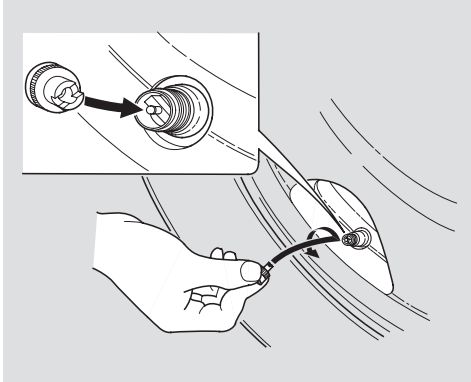
The folding spare tire must be off the ground when you let the air out. It is best to deflate the folding spare tire while it is still mounted on the vehicle. This prevents foreign material from being trapped between the wheel and tire.

1. If the folding spare tire is still on the vehicle, follow the instructions under **Changing a Flat Tire** to loosen the wheel nuts and jack up the vehicle.



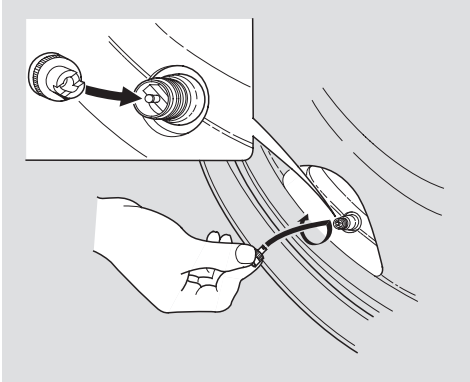
2. Unscrew and remove the folding spare tire valve cap.

Changing a Flat Tire



3. Remove the rubber cover on top of the valve cap. Use the notch on the valve cap to unscrew the spare tire valve core until the air starts coming out. Use your hand to shield your eyes. The valve core can fly out under pressure.

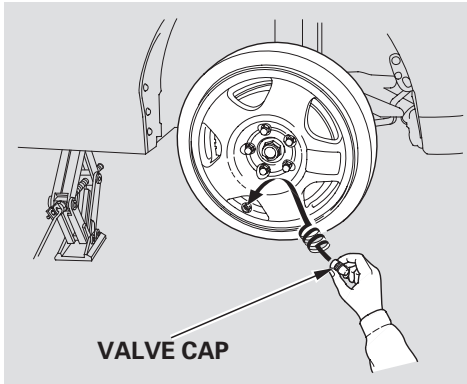
Keep your fingers and clothing away as the tire deflates and folds back to its compact size.



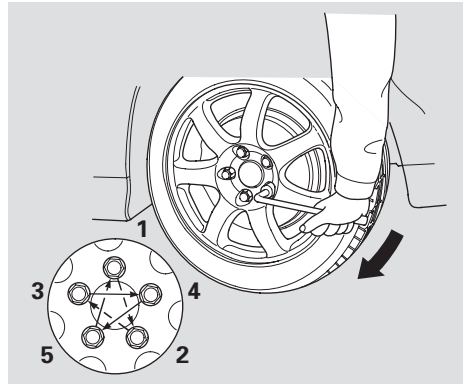
4. As the tire deflates, it will fold back to its original shape. When the air stops coming out of the tire, use the notch on the valve cap to tighten the valve core.

CONTINUED

Changing a Flat Tire

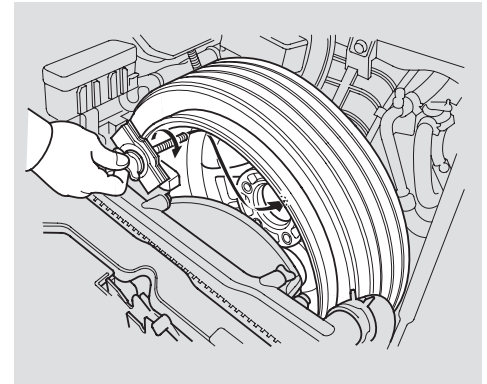


5. Put the rubber cap back on the valve cap. Screw the valve cap back on the folding spare tire valve.



6. Remove the folding spare tire and install the original tire and wheel nuts. Lower the vehicle and tighten the wheel nuts securely in a crisscross pattern.

Tighten to:
80 lbf-ft (108 N·m , 11 kgf·m)



7. Store the folding spare tire in the front compartment with the outside surface of the wheel contacting the bracket of the spare tire well. Securely tighten the wing bolt.

Air Pump

The air pump that comes with your NSX is designed specifically to inflate the folding spare tire. Follow these precautions:

- Connect the air pump only to a 12 V car battery. Connecting it to any other power source could damage the air pump.
- Applying oil to any component of the air pump is not necessary.
- The surface of the air pump will become hot during use. Do not touch the air pump while in use.
- Continuous operation for more than 15 minutes could damage the air pump. Let it cool down before using it again.

Folding Spare Tire

Use the folding spare tire as a temporary replacement only. Get your regular tire replaced and put it on your vehicle as soon as you can.

Follow these precautions.

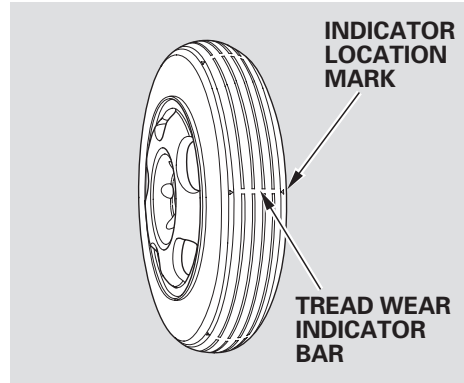
- Inflate or deflate the spare tire only when it is on the vehicle. Inflating it on the ground may trap stones or other foreign matter between the tire and the wheel rim.
- Do not exceed 50 mph (80 km/h).

- This tire gives a harsher ride and less traction on some road surfaces than the regular tire. Use greater caution while driving on this tire.
- The spare tire is smaller than the regular tire, reducing your vehicle's ground clearance. Such things as road debris and parking lot speed bumps could possibly damage the underside of your vehicle.
- Do not take your vehicle to an automatic car wash when the spare tire is mounted. Because of the reduced ground clearance, the underside of your vehicle could be damaged by the mechanism that pulls the vehicle through the car wash.

CONTINUED

Changing a Flat Tire

- Do not use your spare tire on another vehicle unless it is the same make and model.
- The folding spare tire cannot be repaired. Special equipment is required to remove it from the rim and install a new tire. If it is damaged, replace it with a folding spare tire of the same design. New spare tires are available at your Acura dealer.
- Do not mount snow chains on it.



The folding spare tire has a shorter tread life than a regular tire. Replace it when you can see the tread wear indicator bars. The spare tire is not designed to be mounted on a regular wheel, and the spare wheel is not designed for mounting a regular tire.

Diagnosing why the engine won't start falls into two areas, depending on what you hear when you turn the key to START (III):

- You hear nothing, or almost nothing. The engine's starter motor does not operate at all, or operates very slowly.
- You can hear the starter motor operating normally, or the starter motor sounds like it is spinning faster than normal, but the engine does not start up and run.

Nothing Happens or the Starter Motor Operates Very Slowly

When you turn the ignition switch to START (III), you do not hear the normal noise of the engine trying to start. You may hear a clicking sound or series of clicks, or nothing at all. Check these things:

- Are you using a properly coded key? An improperly coded key will cause the immobilizer system indicator in the instrument panel to blink rapidly (see page 55).
- Check the transmission interlock. If you have a manual transmission, the clutch pedal must be pushed all the way to the floor or the starter will not operate. With an automatic transmission, it must be in Park or Neutral.

- Turn the ignition switch to ON (II). Check the voltmeter reading. Turn on the headlights, and check their brightness. If the voltmeter does not register and the headlights are very dim or don't light at all, the battery is discharged. See **Jump Starting** on page 185.
- If the voltmeter reads normally and the headlights are bright, turn the key to START (III) then release it.
- If the headlights do not dim, check the condition of the fuses. If the fuses are OK, there is probably something wrong with the electrical circuit for the ignition switch or starter motor. You will need a qualified technician to determine the problem (see **Emergency Towing** on page 197).

CONTINUED

If the Engine Won't Start

If the headlights dim noticeably or go out when you try to start the engine, either the battery is discharged or the connections are corroded. Check the condition of the battery and terminal connections (see page [166](#)). You can then try jump starting the vehicle from a booster battery (see page [185](#)).

The Starter Operates Normally

In this case, the starter motor's speed sounds normal, or even faster than normal, when you turn the ignition switch to START (III), but the engine does not run.

- Are you using the proper starting procedure? Refer to **Starting the Engine** on page [119](#).
- Do you have fuel? Check the fuel gauge; the warning indicator may not be working.

- There may be an electrical problem, such as no power to the fuel pump. Check all the fuses (see page [192](#)).

If you find nothing wrong, you will need a qualified technician to find the problem. See **Emergency Towing** on page [197](#).

Although this seems like a simple procedure, you should take several precautions.

⚠ WARNING

A battery can explode if you do not follow the correct procedure, seriously injuring anyone nearby.

Keep all sparks, open flames, and smoking materials away from the battery.

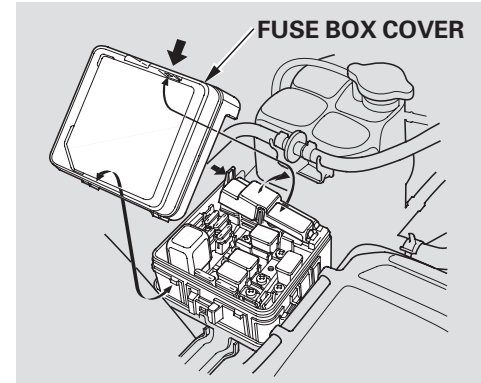
You cannot start an Acura with an automatic transmission by pushing or pulling it.

To Jump Start Your Vehicle:

1. Open the hood, and check the physical condition of the battery. In very cold weather, check the condition of the electrolyte. If it seems slushy or like ice, do not try jump starting until it thaws.

NOTICE: *If a battery sits in extreme cold, the electrolyte inside can freeze. Attempting to jump start with a frozen battery can cause it to rupture.*

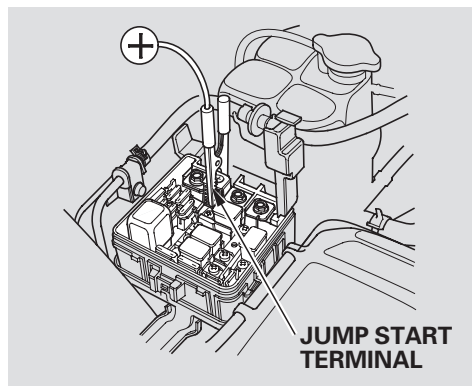
2. Turn off all the electrical accessories: heater, A/C, stereo system, lights, etc. Put the transmission in Neutral or Park, and set the parking brake.



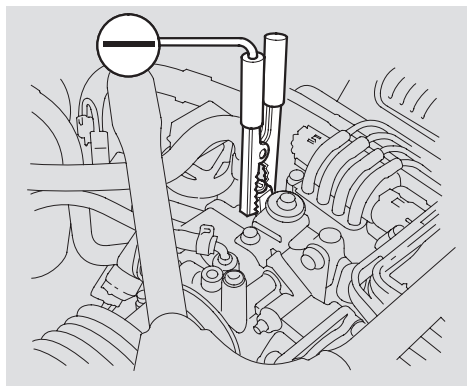
3. Open the rear window and engine cover. Locate the engine compartment fuse box on the driver's side of the compartment. Remove the fuse box cover.

CONTINUED

Jump Starting



4. Connect one jumper cable to the JUMP START terminal in the fuse box. Connect the other end to the positive (+) terminal on the booster battery.



5. Connect the second jumper cable to the negative (-) terminal on the booster battery. Connect the other end to the boss on the intake manifold as shown. Do not connect this jumper cable to any other part of the engine.
6. If the booster battery is in another vehicle, have an assistant start that vehicle and run it at a fast idle.

7. Start your vehicle. If the starter motor still operates slowly, check that the jumper cables have good metal-to-metal contact.
8. Once your vehicle is running, disconnect the negative cable from your vehicle, then from the booster battery. Disconnect the positive cable from your vehicle, then from the booster battery.

Keep the ends of the jumper cables away from each other and any metal on the vehicle until all are disconnected. Otherwise, you may cause an electrical short.

The pointer of your vehicle's temperature gauge should stay in the midrange under most conditions. If it climbs to the red mark, you should determine the reason (hot day, driving up a steep hill, etc.).

If your vehicle overheats, you should take immediate action. The only indication may be the temperature gauge climbing to or above the red mark. Or you may see steam or spray coming from under the vehicle or engine cover.

NOTICE: *Driving with the temperature gauge pointer at the red mark can cause serious damage to your engine.*

WARNING

Steam and spray from an overheated engine can seriously scald you.

Do not open the hood if steam is coming out.

1. Safely pull to the side of the road. Put the transmission in Neutral or Park, and set the parking brake. Turn off the all accessories, and turn on the hazard warning indicators.
2. If you see steam and/or spray coming from under the vehicle or the engine cover, turn off the engine. Wait until you see no more signs of steam or spray, then open the front hood and engine cover.
3. If you do not see steam or spray, leave the engine running, and watch the temperature gauge. If the high heat is due to overloading, the engine should start to cool down almost immediately. If it does, wait until the temperature gauge comes down to the midpoint, then continue driving.
4. If the temperature gauge stays at the red mark, turn off the engine.
5. Look for any obvious coolant leaks, such as a split radiator hose. Everything is still extremely hot, so use caution. If you find a leak, it must be repaired before you continue driving (see **Emergency Towing** on page [197](#)).
6. If you don't find an obvious leak, check the coolant level in the expansion tank.

If the Engine Overheats

7. If the expansion tank needs coolant, you will have to remove the cap. Before doing that, turn the ignition switch to ON (II), and check the temperature gauge. Remove the expansion tank cap **ONLY** if the temperature gauge pointer has come down to normal or below, and you do not hear any bubbling or gurgling noises coming from the cooling system.

WARNING

Removing the expansion tank cap while the engine is hot can cause the coolant to spray out, seriously scalding you.

Always let the engine and radiator cool down before removing the expansion tank cap.

8. Using gloves or large heavy cloth, turn the expansion tank cap one-quarter turn counterclockwise without pushing down. After the pressure releases, push down on the cap, and turn it until it comes off.
9. Start the engine, and set the climate control to FULL AUTO at 90°F (32°C). Add coolant up to the MAX line on the expansion tank. If you do not have the proper coolant mixture available, you can add plain water. Remember to have the cooling system drained and refilled with the proper mixture as soon as you can.
10. Put the expansion tank cap back on tightly. Run the engine, and watch the temperature gauge. If it goes back to the red mark, the engine needs repair (see **Emergency Towing** on page [197](#)).
11. If the temperature stays normal, check the coolant level in the expansion tank. If it has gone down, add coolant to the MAX mark. Put the expansion tank cap back on tightly.

Low Oil Pressure Indicator, Charging System Indicator

Low Oil Pressure Indicator



This indicator should never come on when the engine is running. If it starts flashing or stays on, the oil pressure has dropped very low or lost pressure. Serious engine damage is possible and you should take immediate action.

NOTICE: *Running the engine with low oil pressure can cause serious mechanical damage almost immediately. Turn off the engine as soon as you can safely get the vehicle stopped.*

1. Safely pull off the road, and shut off the engine. Turn on the hazard warning indicators.
2. Let the vehicle sit for a minute. Open the engine compartment, and check the oil level (see page [107](#)). An engine very low on oil can lose pressure during cornering and other driving maneuvers.
3. If necessary, add oil to bring the level back to the full mark on the dipstick (see page [143](#)).
4. Start the engine, and watch the oil pressure indicator. If it does not go out within 10 seconds, turn off the engine. There is a mechanical problem that needs to be repaired before you can continue driving (see **Emergency Towing** on page [197](#)).

Charging System Indicator



If the charging system indicator comes on brightly when the engine is running, the battery is not being charged.

Immediately turn off all electrical accessories. Try not to use other electrically operated controls such as the power windows. Keep the engine running; starting the engine will discharge the battery rapidly. Check the voltmeter as you drive. If there is a problem in the charging system, the voltage will gradually drop.

Go to a service station or garage where you can get technical assistance.

Malfunction Indicator Lamp

Malfunction Indicator Lamp



If the indicator comes on while driving, it means one of the engine's emissions control systems may have a problem. Even though you may feel no difference in your vehicle's performance, it can reduce your fuel economy and cause increased emissions. Continued operation may cause serious damage.

If you have recently refueled your vehicle, the indicator coming on could be a loose or missing fuel fill cap. Tighten the cap until it clicks at least three times. Tightening the cap will not turn the indicator off immediately; it takes at least three days of normal driving.

If the indicator comes on repeatedly, even though it may go off as you continue driving, have the vehicle checked by the dealer as soon as possible.

NOTICE: *If you keep driving with the Malfunction Indicator Lamp on, you can damage your vehicle's emissions controls and the engine. Those repairs may not be covered by your vehicle's warranties.*

Readiness Code

Your vehicle has certain "readiness codes" that are part of the on-board diagnostics for the emissions systems. In some states, part of the emissions testing is to make sure these codes are set. If they are not set, the test cannot be completed.

If your vehicle's battery has been disconnected or gone dead, these codes are erased. It takes at least three days of driving under various conditions to set the codes again.

To check if they are set, turn the ignition to ON (II), without starting the engine. The Malfunction Indicator Lamp will come on for 20 seconds. If it then goes off, the readiness codes are set. If it blinks 5 times, the readiness codes are not set. If possible, do not take your vehicle for a state emissions test until the readiness codes are set. Refer to State Emissions Testing for more information (see page 210).

Brake System Indicator

U.S.

BRAKE

The brake system indicator normally comes on when you turn the ignition switch to ON (II) and as a reminder to check the parking brake. It will stay lit if you do not fully release the parking brake.

Canada



If the brake system indicator comes on while driving, the brake fluid level is probably low. Press lightly on the brake pedal to see if it feels normal. If it does, check the brake fluid level the next time you stop at a service station (see page 151).

If the fluid level is low, take your vehicle to a dealer and have the brake system inspected for leaks or worn brake pads.

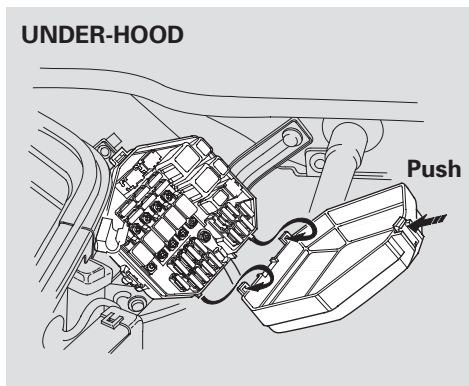
However, if the brake pedal does not feel normal, you should take immediate action. A problem in one part of the system's dual circuit design will still give you braking at two wheels. You will feel the brake pedal go down much farther before the vehicle begins to slow down, and you will have to press harder on the pedal.

Slow down by shifting to a lower gear, and pull to the side of the road when it is safe. Because of the long distance needed to stop, it is hazardous to drive the vehicle. You should have it towed and repaired as soon as possible (see **Emergency Towing** on page 197).

If you must drive the vehicle a short distance in this condition, drive slowly and carefully.

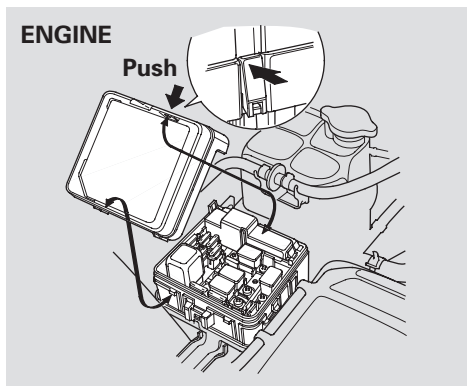
Fuses

UNDER-HOOD



The under-hood fuse box is located in the front of the engine compartment on the passenger's side. To open it, push the tab as shown.

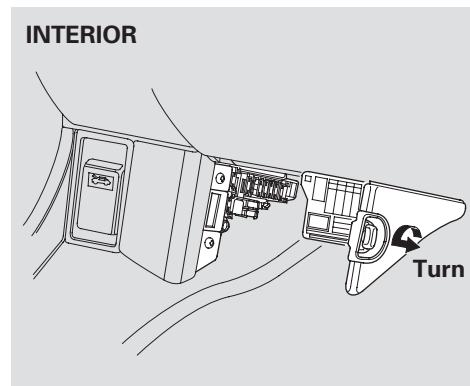
ENGINE



The engine compartment fuse box is located next to the air cleaner housing. To open it, push the tab as shown.

The interior fuse box is underneath the dashboard on the driver's side. To open it, turn the knob as shown.

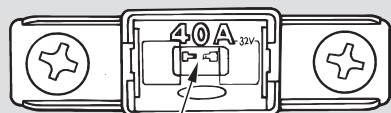
INTERIOR



Checking and Replacing Fuses

If something electrical in your vehicle stops working, check for a blown fuse first. Determine from the chart on pages [194](#) and [195](#), or the diagram on the fuse box lid, which fuses control that device. Check those fuses first, but check all the fuses before deciding that a blown fuse is the cause. Replace any blown fuses, and check if the device works.

FUSE



BLOWN

1. Turn the ignition switch to LOCK (0). Make sure the headlights and all other accessories are off.
2. Remove the cover from the fuse box.
3. Check each of the large fuses in the under-hood and engine compartment fuse boxes by looking through the top at the wire inside. Remove the screws with a Phillips-head screwdriver.

4. Check the smaller fuses in the under-hood fuse boxes and all the fuses in the interior fuse box by pulling out each one with the fuse puller provided in the interior fuse box.
5. Look for a burned wire inside the fuse. If it is burned, replace it with one of the spare fuses of the same rating or lower.

If you cannot drive the vehicle without fixing the problem and you do not have a spare fuse, take a fuse of the same rating or a lower rating from one of the other circuits. Make sure you can do without that circuit temporarily (such as the cigarette lighter or radio).

If you replace the blown fuse with a spare fuse that has a lower rating, it might blow out again. This does not indicate anything wrong. Replace the fuse with one of the correct rating as

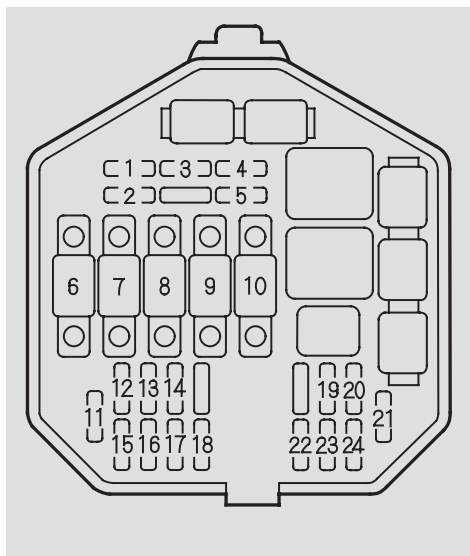
soon as you can.

NOTICE: *Replacing a fuse with one that has a higher rating greatly increases the chances of damaging the electrical system. If you do not have a replacement fuse with the proper rating for the circuit, install one with a lower rating.*

6. If the replacement fuse of the same rating blows in a short time, there is probably a serious electrical problem in your vehicle. Leave the blown fuse in that circuit, and have your vehicle checked by a qualified mechanic.

Fuse Locations

UNDER-HOOD FUSE BOX



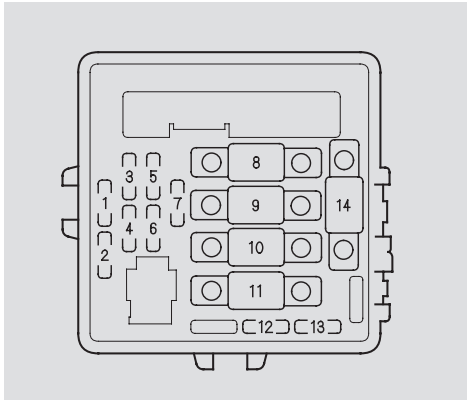
No.	Amps.	Circuits Protected
1	20 A	Driver's Power Window
2	20 A	Passenger's Power Window
3	20 A	Speaker Amplifier
4	20 A	Left Headlight Low
5	20 A	Right Headlight Low
6	40 A	Wiper Motor
7	50 A	EPS
8	30 A	Blower Motor
9	50 A	Ignition Switch (A)
10	30 A	ABS
11	30 A	Cooling Fan
12	20 A	ABS 1, 4
13	10 A	Daytime Running Lights*

* : Canadian Model

No.	Amps.	Circuits Protected
14	15 A	Small Lights
15	10 A	O ₂ Sensor Heater
16	7.5 A	Digital Clock
17	15 A	Interior Light
18	20 A	Power Door Lock
19	20 A	Brake Lights, Horn
20	10 A	Hazard Lights
21	10 A	Left Headlight High
22	10 A	Left Condenser Fan
23	10 A	Right Condenser Fan
24	10 A	Right Headlight High

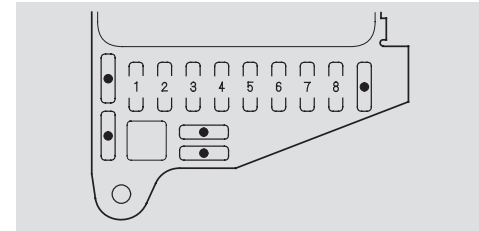
Fuse Locations

ENGINE COMPARTMENT FUSE BOX



No.	Amps.	Circuits Protected
1	10 A	Engine Room Fan
2	10 A	HAC Clutch
3	20 A	Passenger's Power Seat Reclining
4	20 A	Driver's Power Seat Reclining
5	20 A	Passenger's Power Seat Slide
6	20 A	Driver's Power Seat Slide
7	20 A	ACG (S)
8	120 A	ACG
9	60 A	Air Pump
10	40 A	Rear Defroster
11	30 A	Ignition Switch (B)
12	20 A	Throttle Motor
13	20 A	Cigarette Lighter
14	30 A	Ignition Coil

INTERIOR FUSE BOX



● : Spare Fuse

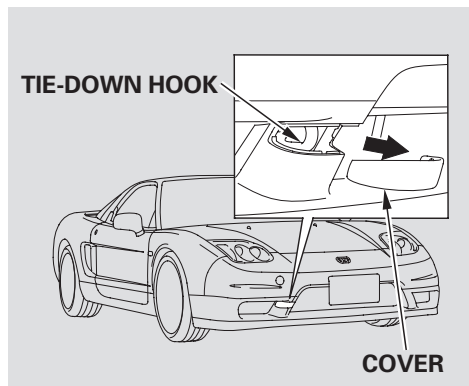
No.	Amps.	Circuits Protected
1	10 A	SRS 1
2	15 A	SRS 2, Fuel Pump
3	7.5 A	Daytime Running Lights*
4	15 A	Heater Control, Rear Defroster Relay, Cooling Fan Control
5	15 A	Back-up Lights, Turn Signals, Alternator
6	7.5 A	Washer
7	7.5 A	Starter Signal
8	10 A	Radio

* : Canadian Model

If Your Vehicle Gets Stuck

If your vehicle gets stuck in sand, mud, or snow, call a towing service to pull it out (see page [197](#)).

NOTICE: “Rocking” your vehicle between forward and reverse gear or revving up the engine and allowing the wheels to spin freely at high speeds can damage the automatic transmission. Use a tow service to prevent transmission damage.



For very short distances such as freeing the vehicle, you can use the tiedown hook on the lower right of the front bumper. Remove the cover to expose the hook. This hook is not for open-road towing (see **Emergency Towing**, page [197](#)).

If your vehicle needs to be towed, call a professional towing service or organization. Never tow your vehicle behind another vehicle with just a rope or chain. It is very dangerous.

There are three popular types of professional towing equipment.

Flat-bed Equipment — The operator loads your vehicle on the back of a truck. **This is the only way your NSX should be transported.** When you contact the towing agency, inform them that you have an NSX and that a flat-bed is required.

Wheel-Lift Equipment — The tow truck uses two pivoting arms that go under the tires (front or rear) and lift them off the ground. The other two tires remain on the ground. Because the NSX sits so low, the body could come in contact with the ground and be damaged. **This method of towing is unacceptable.**

Sling-type Equipment — The tow truck uses metal cables with hooks on the ends. These hooks go around parts of the frame or suspension and the cables lift that end of the vehicle off the ground. Your vehicle's suspension and body can be seriously damaged. **This method of towing is unacceptable.**

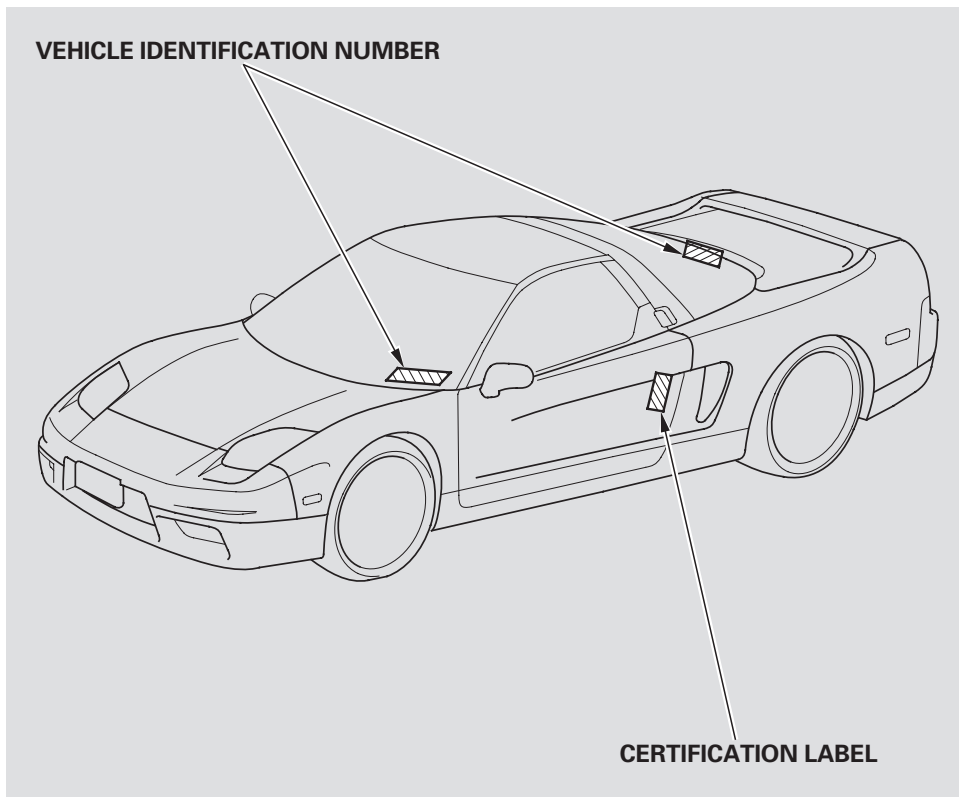
The diagrams in this section give you the dimensions and capacities of your Acura, and the locations of the identification numbers. It also includes information you should know about your vehicle's tires and emissions control systems.

Identification Numbers	200	Emissions Controls.....	207
Specifications	202	The Clean Air Act.....	207
DOT Tire Quality Grading	204	Crankcase Emissions Control	
Treadwear	204	System.....	207
Traction.....	204	Evaporative Emissions Control	
Temperature	205	System.....	207
Tire Labeling.....	206	Onboard Refueling Vapor	
		Recovery	207
		Exhaust Emissions Controls....	208
		PGM-FI System	208
		Ignition Timing Control	
		System.....	208
		Secondary Air Injection	
		System.....	208
		Exhaust Gas Recirculation	
		(EGR) System.....	208
		Three Way Catalytic	
		Converter.....	208
		Replacement Parts.....	208
		Three Way Catalytic Converter...	209
		State Emissions Testing	210

Identification Numbers

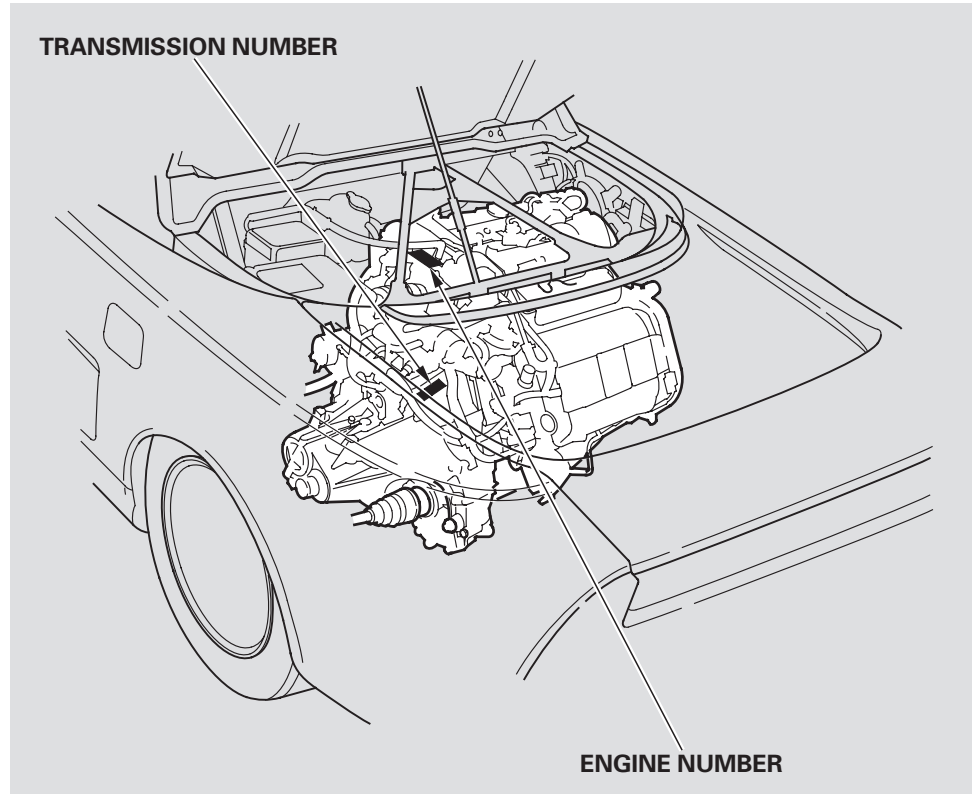
Your vehicle has several identifying numbers located in various places.

The Vehicle Identification Number (VIN) is the 17-digit number your Acura dealer uses to register your vehicle for warranty purposes. It is also necessary for licensing and insuring your vehicle. The easiest place to find the VIN is on a plate fastened to the top of the dashboard. You can see it by looking through the windshield on the driver's side. It is also on the Certification label attached to the driver's doorjamb, and is stamped on the engine compartment bulkhead. The VIN is also provided in bar code on the Certification label.



The Engine Number is stamped on the back left corner of the engine block, below the rear valve cover.

The Transmission Number is on a label on top of the transmission.



Specifications

Dimensions

Length		174.2 in (4,425 mm)
Width		71.3 in (1,810 mm)
Height		46.1 in (1,170 mm)
Wheelbase		99.6 in (2,530 mm)
Track	Front	59.4 in (1,510 mm)
	Rear	60.6 in (1,540 mm)

Weights

Gross vehicle weight rating	See the certification label attached to the driver's doorjamb.
-----------------------------	--

Engine

Type	Water cooled 4-stroke DOHC VTEC V-6 gasoline engine
Bore x Stroke	3.54 x 3.07 in (90.0 x 78.0 mm) ^{*1} 3.66 x 3.07 in (93.0 x 78.0 mm) ^{*2}
Displacement	181.6 cu-in (2,977 cm ³) ^{*1} 194 cu-in (3,179 cm ³) ^{*2}
Compression ratio	10.2 : 1
Spark plugs	NGK: PFR6L-11 DENSO: PK20PR-L11
Spark Plug Gap	0.04 in (1.1 mm) ^{+0 -0.1 mm}

* 1 : 3.0 model (4 AT)

* 2 : 3.2 model (6 MT)

Capacities

Fuel tank		18.5 US gal (70 ℓ)
Engine coolant		
Manual Transmission		
Change ^{*3}		3.17 US gal (12.0 ℓ)
Total		4.23 US gal (16.0 ℓ)
Automatic Transmission		
Change ^{*3}		3.17 US gal (12.0 ℓ)
Total		4.36 US gal (16.5 ℓ)
Engine oil	Change ^{*4}	
	Including filter	5.3 US qt (5.0 ℓ)
	Without filter	4.5 US qt (4.3 ℓ)
	Total	6.3 US qt (6.0 ℓ)
Manual transmission fluid	Change	2.7 US qt (2.6 ℓ)
	Total	3.1 US qt (2.9 ℓ)
Automatic transmission fluid	Change	3.1 US qt (2.9 ℓ)
	Total	7.4 US qt (7.0 ℓ)
Windshield washer reservoir	U.S. Vehicles	2.6 US qt (2.5 ℓ)
	Canadian Vehicles	4.2 US qt (4.0 ℓ)

* 3 : Including the coolant in the reserve tank and that remaining in the engine.

Expansion tank capacity:
0.55 US gal (2.1 ℓ)

* 4 : Excluding the oil remaining in the engine.

Lights

Headlights* ¹ (High beam)	12 V — 60 W (HB3)
Front turn signal lights	12 V — 45 CP
Front parking lights	12 V — 5 W
Rear turn signal lights	12 V — 45 CP
Stop/Taillights	12 V — 32/2 CP (SAE 2057)
Taillights	12 V — 2 CP
Side marker lights	Front 12 V — 3 CP
	Rear 12 V — 3 CP
Back-up lights	12 V — 32 CP
License plate lights	12 V — 8 W
Interior light	12 V — 5 W
Trunk light	12 V — 5 W
Door courtesy lights	12 V — 3.4 W

* 1 : Low beam headlight bulbs are a type of high voltage discharge tube.

Air Conditioning

Refrigerant type	HFC-134a (R-134a)
Charge quantity	28.2 – 30.0 oz (800 – 850 g)
Lubricant type	ND-OIL8

Battery

Capacity	
Manual transmission	12 V — 52 AH/5 HR
Automatic transmission	12 V — 55 AH/5 HR

Fuses

Front compartment	See page 194 or the fuse box cover.
Interior	See page 195 or the fuse label attached to the inside of the fuse box door under the dashboard.
Engine compartment	See page 195 or the fuse box cover.

Alignment

Toe	Front	out 0.14 in (3.5 mm)
	Rear	in 0.16 in (4.0 mm)
Camber	Front	–0°20'
	Rear	–1°30'
Caster	Front	8°

Tires

Size	Front	215/40R17 83Y
	Rear	255/40R17 94Y
	Folding spare Tire	165/75D16
Pressure	Front	33 psi (230 kPa , 2.3 kgf/cm ²)
	Rear	40 psi (275 kPa , 2.8 kgf/cm ²)
Folding spare tire	Front	26 psi (180 kPa , 1.8 kgf/cm ²)
	Rear	32 psi (220 kPa , 2.2 kgf/cm ²)

DOT Tire Quality Grading (U.S. Vehicles)

The tires on your vehicle meet all U.S. Federal Safety Requirements. All tires are also graded for treadwear, traction, and temperature performance according to Department of Transportation (DOT) standards. The following explains these gradings.

Uniform Tire Quality Grading

Quality grades can be found where applicable on the tire sidewall between the tread shoulder and the maximum section width. For example:

Treadwear 200
Traction AA
Temperature A

All passenger car tires must conform to Federal Safety Requirements in addition to these grades.

Treadwear

The treadwear grade is a comparative rating based on the wear rate of the tire when tested under controlled conditions on a specified government test course. For example, a tire graded 150 would wear one and one-half (1 1/2) times as well on the government course as a tire graded 100. The relative performance of tires depends upon the actual conditions of their use, however, and may depart significantly from the norm due to variations in driving habits, service practices, and differences in road characteristics and climate.

Traction — AA, A, B, C

The traction grades, from highest to lowest, are AA, A, B, and C. Those grades represent the tire's ability to stop on wet pavement as measured under controlled conditions on specified government test surfaces of asphalt and concrete. A tire marked C may have poor traction performance.

Warning: The traction grade assigned to this tire is based on straight-ahead braking traction tests, and does not include acceleration, cornering, hydroplaning, or peak traction characteristics.

Temperature – A, B, C

The temperature grades are A (the highest), B, and C, representing the tire's resistance to the generation of heat and its ability to dissipate heat when tested under controlled conditions on a specified indoor laboratory test wheel. Sustained high temperature can cause the material of the tire to degenerate and reduce tire life, and excessive temperature can lead to sudden tire failure. The grade C corresponds to a level of performance which all passenger car tires must meet under the Federal Motor Vehicle Safety Standard No. 109. Grades B and A represent higher levels of performance on the laboratory test wheel than the minimum required by law.

Warning: The temperature grade for this tire is established for a tire that is properly inflated and not overloaded. Excessive speed, underinflation, or excessive loading, either separately or in combination, can cause heat buildup and possible tire failure.

Tire Labeling

Tire Labeling

The tires that came on your vehicle have a number of markings. Those you should be aware of are described below.

Tire Size

Whenever tires are replaced, they should be replaced with tires of the same size. Following is an example of tire size with an explanation of what each component means.

P225/55R16 94V

P — Vehicle type (P indicates passenger vehicle).

225 — Tire width in millimeters.

55 — Aspect ratio (the tire's section height as a percentage of its width).

R — Tire construction code (R indicates radial).

16 — Rim diameter in inches.

94 — Load index (a numerical code associated with the maximum load the tire can carry).

V — Speed symbol (an alphabetical code indicating the maximum speed rating).

Tire Identification Number

Tire Identification Number (TIN) is a group of numbers and letters that look like the following example TIN.

DOT B97R FW6X 2202

DOT — This indicates that the tire meets all requirements of the U.S. Department of Transportation.

B97R — Manufacturer's identification mark.

FW6X — Tire type code.

2202 — Date of manufacture.

The burning of gasoline in your vehicle's engine produces several by-products. Some of these are carbon monoxide (CO), oxides of nitrogen (NO_x) and hydrocarbons (HC). Gasoline evaporating from the tank also produces hydrocarbons. Controlling the production of NO_x, CO, and HC is important to the environment. Under certain conditions of sunlight and climate, NO_x and HC react to form photochemical "smog." Carbon monoxide does not contribute to smog creation, but it is a poisonous gas.

The Clean Air Act

The United States Clean Air Act* sets standards for automobile emissions. It also requires that automobile manufacturers explain to owners how their emissions controls work and what to do to maintain them. This section summarizes how the emissions controls work. Scheduled maintenance is on page [137](#).

* In Canada, Acura vehicles comply with the Canadian emission requirements, as specified in an agreement with Environment Canada, at the time they are manufactured.

Crankcase Emissions Control System

Your vehicle has a Positive Crankcase Ventilation System. This keeps gasses that build up in the engine's crankcase from going into the atmosphere. The Positive Crank-

case Ventilation valve routes them from the crankcase back to the intake manifold. They are then drawn into the engine and burned.

Evaporative Emissions Control System

As gasoline evaporates in the fuel tank, an evaporative emissions control canister filled with charcoal adsorbs the vapor. It is stored in this canister while the engine is off. After the engine is started and warmed up, the vapor is drawn into the engine and burned during driving.

Onboard Refueling Vapor Recovery

The Onboard Refueling Vapor Recovery (ORVR) system captures the fuel vapors during refueling. The vapors are adsorbed in a canister filled with activated carbon. While driving, the fuel vapors are drawn into the engine and burned off.

Emissions Controls

Exhaust Emissions Controls

The exhaust emissions controls include four systems: PGM-FI, Ignition Timing Control, Exhaust Gas Recirculation and Three Way Catalytic Converter. These four systems work together to control the engine's combustion and minimize the amount of HC, CO, and NO_x that comes out the tailpipe. The exhaust emissions control systems are separate from the crankcase and evaporative emissions control systems.

PGM-FI System

The PGM-FI System uses sequential multiport fuel injection. It has three subsystems: Air Intake, Engine Control, and Fuel Control. The Engine Control Module (ECM) uses various sensors to determine how much air is going into the engine. It then controls how much fuel to inject under all operating conditions.

Ignition Timing Control System

This system constantly adjusts the ignition timing, reducing the amount of HC, CO, and NO_x produced.

Secondary Air Injection System

During engine warm-up, air is pumped into the exhaust to reduce emissions when the engine is cold.

Exhaust Gas Recirculation (EGR) System

The Exhaust Gas Recirculation (EGR) system takes some of the exhaust gas and routes it back into the intake manifold. Adding exhaust gas to the air/fuel mixture reduces the amount of NO_x produced when the fuel is burned.

Three Way Catalytic Converter

The three way catalytic converter is in the exhaust system. Through chemical reactions, it converts HC, CO, and NO_x in the engine's exhaust to carbon dioxide (CO₂), nitrogen

(N₂), and water vapor.

Replacement Parts

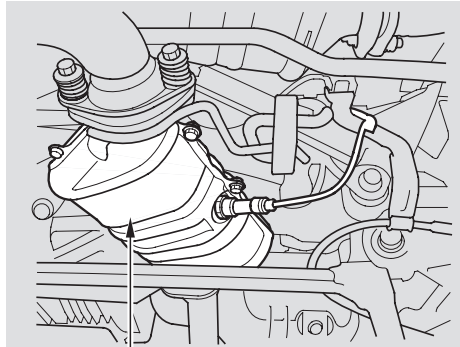
The emissions control systems are designed and certified to work together in reducing emissions to levels that comply with the Clean Air Act. To make sure the emissions remain low, you should use only new Acura replacement parts or their equivalent for repairs. Using lower quality parts may increase the emissions from your vehicle.

The emissions control systems are covered by warranties separate from the rest of your vehicle. Read your warranty manual for more information.

Three Way Catalytic Converter

The three way catalytic converter contains precious metals that serve as catalysts, promoting chemical reactions to convert the exhaust gasses without affecting the metals. The catalytic converter is referred to as a three-way catalyst, since it acts on HC, CO, and NOx. A replacement unit must be an original Acura part or its equivalent.

The three way catalytic converter must operate at a high temperature for the chemical reactions to take place. It can set on fire any combustible materials that come near it. Park your vehicle away from high grass, dry leaves, or other flammables.



THREE WAY CATALYTIC CONVERTER

A defective three way catalytic converter contributes to air pollution, and can impair your engine's performance. Follow these guidelines to protect your vehicle's three way catalytic converter.

- Always use unleaded gasoline. Even a small amount of leaded gasoline can contaminate the catalyst metals, making the three way catalytic converter ineffective.

- Keep the engine tuned-up.
- Have your vehicle diagnosed and repaired if it is misfiring, back-firing, stalling, or otherwise not running properly.

State Emissions Testing

Testing of Readiness Codes

If you take your vehicle for a state emissions test shortly after the battery has been disconnected or gone dead, it may not pass the test. This is because of certain “readiness codes” that must be set in the on-board diagnostics for the emissions systems. These codes are erased when the battery is disconnected, and set again only after several days of driving under a variety of conditions.

If the testing facility determines that the readiness codes are not set, you will be requested to return at a later date to complete the test. If you must get the vehicle re-tested within the next two or three days, you can condition the vehicle for re-testing by doing the following.

- Make sure the gas tank is nearly, but not completely, full (around 3/4).
 - Make sure the vehicle has been parked with the engine off for 8 hours or more.
 - Make sure the ambient temperature is between 20° and 95° F.
- Without touching the accelerator pedal, start the engine, and let it idle for 20 seconds.
 - Keep the vehicle in Park (automatic transmission) or Neutral (manual transmission). Increase the engine speed to 2,000 rpm and hold it there until the temperature gauge rises to at least 1/4 of the scale (approximately 3 minutes).

- Select a nearby lightly traveled major highway where you can maintain a speed of 50 to 60 mph (80 to 97 km/h) for at least 20 minutes. Drive on the highway in D (A/T) or 6th (M/T). Do not use the cruise control. When traffic allows, drive for 90 seconds without moving the accelerator pedal. (Vehicle speed may vary slightly; this is okay.) If you cannot do this for a continuous 90 seconds because of traffic conditions, drive for at least 30 seconds, then repeat it two more times (for a total of 90 seconds).

- Then drive in city/suburban traffic for at least 10 minutes. When traffic conditions allow, let the vehicle coast for several seconds without using the accelerator pedal or the brake pedal.

If the testing facility determines the readiness codes are still not set, see your Acura dealer.

Warranty and Customer Relations

- Customer Service Information..... 214
- Warranty Coverages 215
- Reporting Safety Defects
 (U.S. Vehicles) 216
- Authorized Manuals 217

Customer Service Information

Acura dealership personnel are trained professionals. They should be able to answer all your questions. If you encounter a problem that your dealership does not solve to your satisfaction, please discuss it with the dealership's management. The Service Manager or General Manager can help. Almost all problems are solved in this way.

If you are dissatisfied with the decision made by the dealership's management, contact the Acura Customer Service Office.

U.S. Owners:

Acura Automobile Division
Client Services Office
American Honda Motor Co., Inc.
1919 Torrance Blvd.
Torrance, CA 90501-2746

Tel: (800) 382-2238

Canadian Owners:

CUSTOMER RELATIONS RELATIONS AVEC LA CLIENTÈLE

Honda Canada Inc.
715 Milner Avenue
Toronto, ON
M1B 2K8

Tel: 1-888-9-ACURA-9
Fax: Toll-free 1-877-939-0909
Toronto (416) 287-4776

In Puerto Rico and the U.S. Virgin Islands:
Bella International Corp.
C-1 Bechara St. Segarra Corner
Puerto Nuevo, Puerto Rico 00920

Tel: (787) 620-7020

When you call or write, please give us this information:

- Vehicle Identification Number (see page [200](#))
- Name and address of the dealer who services your vehicle
- Date of purchase
- Mileage on your vehicle
- Your name, address, and telephone number
- A detailed description of the problem
- Name of the dealer who sold the vehicle to you

U.S. Owners

Your new Acura is covered by these warranties:

New Vehicle Limited Warranty — covers your new vehicle, except for the battery, emissions control systems, and accessories, against defects in materials and workmanship.

Emissions Control Systems Defects Warranty and Emissions Performance Warranty — these two warranties cover your vehicle's emissions control systems. Time, mileage, and coverage are conditional. Please read the warranty manual for exact information.

Original Equipment Battery Limited Warranty — this warranty gives up to 100 percent credit toward a replacement battery.

Seat Belt Limited Warranty — a seat belt that fails to function properly is covered for the useful life of the vehicle.

Rust Perforation Limited Warranty — all exterior body panels are covered for rust-through from the inside for the specified time period with no mileage limit.

Accessory Limited Warranty — Acura accessories are covered under this warranty. Time and mileage limits depend on the type of accessory and other factors. Please read your warranty manual for details.

Replacement Parts Limited Warranty — covers all Acura replacement parts against defects in materials and workmanship.

Replacement Battery Limited Warranty — provides prorated coverage for a replacement battery purchased from an Acura dealer.

Replacement Muffler Lifetime Limited Warranty — provides coverage for as long as the purchaser of the muffler owns the vehicle.

Restrictions and exclusions apply to all these warranties. Please read the 2004 Acura Warranty Information booklet that came with your vehicle for precise information on warranty coverages. Your Acura's original tires are covered by their manufacturer. Tire warranty information is in a separate booklet.

Canadian Owners

Please refer to the 2004 Warranty Manual that came with your vehicle.

Reporting Safety Defects (U.S. Vehicles)

If you believe that your vehicle has a defect which could cause a crash or could cause injury or death, you should immediately inform the National Highway Traffic Safety Administration (NHTSA) in addition to notifying Acura Automobile Division, American Honda Motor Co., Inc.

If NHTSA receives similar complaints, it may open an investigation, and if it finds that a safety defect exists in a group of vehicles, it may order a recall and remedy campaign. However, NHTSA cannot become involved in individual problems between you, your dealer, or Acura Automobile Division, American Honda Motor Co., Inc.

To contact NHTSA, you may either call the Auto Safety Hotline toll-free at 1-800-424-9393 (or 366-0123 in Washington D.C. area) or write to: NHTSA, U.S. Department of Transportation, Washington, D.C. 20590. You can also obtain other information about motor vehicle safety from the Hotline.

Purchasing Factory Authorized Manuals (U.S. only)

The publications shown below can be purchased from Helm Incorporated. You can order in any of three ways:

- Detach and mail the order form on the right half of this page
- Call Helm Inc. at 1-800-782-4356 (credit card orders only)
- Go online at www.helminc.com

If you are interested in other years or models, contact Helm Inc. at 1-800-782-4356

Publication Form Number	From Description	Price Each*
61SL006	1997 Acura NSX Service Manual	\$76.00
61SW003	2004 Acura NSX Service Manual Supplement	\$38.00
61SW003EL	1997 – 2004 Acura NSX Electrical Troubleshooting Manual	\$47.00
61SL032	1995 – 2004 Acura NSX Body Repair Manual	\$44.00
31SW0630	2004 Acura NSX Owner's Manual	\$42.00
31SW0910	2004 Acura NSX Maintenance Journal	\$12.00
31SW0Q10	2004 Acura NSX Quick Start Guide	\$12.00
ACU-R	Order Form for Previous Years- Indicate Year and Model Desired	FREE
* Prices are subject to change without notice and without incurring obligation.		

Valid only for sales within the U.S. Canadian owners should contact their authorized Acura dealer.

ORDER TOLL FREE: 1-800-782-4356

(NOTE: For Credit Card Holder Orders Only)

Monday-Friday 8:00 A.M. – 6:00 P.M. EST

MINIMUM CREDIT CARD PURCHASE \$10.00

OR

By completing this form you can order the materials desired. You can pay by check or money order, or charge to your credit card. Mail to Helm Incorporated at the address shown on the back of the order form.

2004 ACU	PUBLICATION NUMBER	VEHICLE MODEL		Qty	Price Each*	Total Price
		Name	Year			
* Prices are subject to change without notice and without incurring obligation.					TOTAL MATERIAL	
					Mich. Purchases Add 6% Sales Tax	
Orders are mailed within 10 days. Please allow adequate time for delivery.					HANDLING CHARGE	\$6.95
					GRAND TOTAL	

Authorized Manuals

S H I P T O	NOTE: Dealers and Companies please provide dealer or company name, and also the name of the person to whose attention the shipment should be sent. For purchases outside U.S.A. please write to the address shown below for a quotation.	
	_____	_____
	Customer Name	Attention
	_____	_____
	Street Address — No P.O. Box Number	Apartment Number
_____	_____	
City	State & Zip Code	
Daytime Telephone Number () _____		

P A Y M E N T	<input type="checkbox"/> Check or money order enclosed payable to Helm Inc — U.S. funds only. Do not send cash				
	<input type="checkbox"/> Master Card <input type="checkbox"/> VISA <input type="checkbox"/> Check here if your billing address is different from the shipping address shown above.				
	Account Number _____ Expiration: Mo. Yr. _____				
	<table border="1" style="width: 100%; border-collapse: collapse;"><tr><td style="width: 25%; height: 20px;"> </td><td style="width: 25%; height: 20px;"> </td><td style="width: 25%; height: 20px;"> </td><td style="width: 25%; height: 20px;"> </td></tr></table>				

CUSTOMER SIGNATURE	DATE				

These Publications cannot be returned for credit without receiving advance authorization within 14 days of delivery. On returns, a restocking fee may be applied against the original order.

HELM P.O. BOX 07280-DETROIT, MICHIGAN 48207-1-800-782-4356

Service Manual:

This manual covers maintenance and recommended procedures for repair to engine and chassis components. It is written for the journeyman mechanic, but is simple enough for most mechanically-inclined owners to understand.

Electrical Troubleshooting Manual:

This manual complements the Service Manual by providing in-depth troubleshooting information for each electrical circuit in your vehicle.

Body Repair Manual:

This manual describes the procedures involved in the replacement of damaged body parts.

A

Accessories	
Installation	111
ACCESSORY (Ignition Key	
Position)	57
Additives, Engine Oil.....	144
Airbag (SRS)	9
Air Conditioning.....	79
Air Outlets (Vents)	79
Air Pressure, Tires	160
Air Pump	175
Alarm, Anti-theft	99
Antenna, Cleaning	157
Antifreeze	146
Anti-lock Brakes (ABS)	
Indicator.....	44, 130
Operation	130
Anti-theft Steering Column Lock ..	57
Ashtray.....	75
Audio System	84
Automatic Climate Control	
System.....	82
Automatic Speed Control.....	100
Automatic Transmission.....	123
Capacity, Fluid	202

Checking Fluid Level.....	149
Shifting.....	123
Shift Lock Release.....	127
Shift Lever Position Indicator ..	123

B

Back-up Lamp Replacement.....	155
Battery	
Charging System	
Indicator.....	43, 189
Jump Starting	185
Maintenance.....	133
Specifications	203
Before Driving	103
Belts, Seat	8
Beverage Holder.....	75
Booster Seats	32
Brakes	129
Anti-lock System (ABS)	130
Break-in, New Linings	104
Bulb Replacement	155
Fluid	151
Parking.....	72
System Indicator.....	44
Wear Indicators, Disc	129

Braking System.....	129
Break-in, New Car	104
Brightness Control, Instruments...	52
Brights, Headlights	51
Bulb Replacement.....	153
Back-up Lights	155
Brake Lights.....	155
Headlights	153
Parking Lights	154
Specifications	203
Turn Signal Lights.....	155
Bulbs, Halogen.....	153

C

Capacities Chart.....	202
Carbon Monoxide Hazard	35
Cargo, Carrying	113
Cassette Player	
Care	91
Operation	89
CAUTION, Explanation of	ii
CD Care	97
CD Changer.....	93

CONTINUED

E

Economy, Fuel	110
Emergencies.....	169
Battery, Jump Starting	185
Changing a Flat Tire	170
Charging System Indicator	189
Checking the Fuses.....	192
Hazard Warning Flashers	52
Jump Starting	185
Low Oil Pressure Indicator	189
Malfunction Indicator Lamp ...	190
Overheated Engine	187
Towing	197
Emergency Brake.....	72
Emergency Flashers	52
Emissions Controls.....	207
Emissions Testing, State	210
Engine	
Compartment, Checking	
in the	106
Coolant	146
Coolant Temperature Gauge	47
Malfunction Indicator	
Lamp	44, 190
Oil Pressure Gauge	48

Oil Pressure Indicator	43, 189
Oil, What Kind to Use	143
Overheating.....	187
Speed Limiter	121, 126
Specifications	202
Starting.....	119
Engine, <i>if it won't start</i>	183
Engine Cover, Opening the	106
Ethanol in Gasoline	104
Evaporative Emissions Controls..	207
Exhaust Fumes	35
Exhaust Gas Recirculation	
System.....	208
Expansion Tank, Engine	
Coolant.....	108
Expectant Mothers, Use of Seat	
Belts by	14

F

Fan, Interior.....	79
Features, Comfort and	
Convenience.....	77
Filling the Fuel Tank.....	105
Filters	
Oil	144

Flashers, Hazard Warning.....	52
Flat Tire, Changing a	170
Fluids	
Automatic Transmission.....	149
Brake.....	151
Clutch.....	151
Manual Transmission	150
Windshield Washer	148
FM Stereo Radio Reception	87
Folding Spare Tire.....	181
Four-way Flashers	52
Fuel.....	104
Fill Door and Cap.....	105
Gauge	48
Octane Requirement.....	104
Reserve Indicator.....	46
Tank, Filling the.....	105
Fuel Mileage, Improving.....	110
Fuel Station Procedures	105
Fuses, Checking the.....	192

CONTINUED

Index

G

Gasoline	104
Fuel Reserve Indicator.....	46
Gauge	48
Octane Requirement	104
Tank, Filling the.....	105
Gauges	47
Engine Coolant Temperature ...	47
Engine Oil Pressure	48
Fuel.....	48
Speedometer	47
Tachometer	47
Voltmeter.....	48
Gearshift Lever Positions	
Automatic Transmission.....	123
6-speed Manual	
Transmission.....	120
Glove Box	76

H

Halogen Headlight Bulbs.....	153
Hazard Warning Flashers.....	52
Headlights	
Daytime Running Lights.....	51

High Beam Indicator.....	46
Reminder Chime.....	51
Replacing Halogen Bulbs	153
Turning on.....	51
Heating and Air Conditioning	
System.....	78
High-Low Beam Switch	51
Hood Latch.....	152
Hood, Opening the	108
Horn.....	49
Hydraulic Clutch.....	151

I

Identification Number, Vehicle....	200
Ignition	
Keys.....	54
Switch.....	57
Timing Control System.....	208
Indicators	
ABS (Anti-Lock Brake).....	44
Brake (Parking and Brake	
System)	44
Brake Lamp.....	45
Charging System	43
Cruise Control.....	46

DRL (Daytime Running	
Lights).....	46
EPS (Electric Power Steering) ..	45
High Beam.....	46
Low Fuel.....	46
Low Oil Pressure	43
SRS	44
TCS (Traction Control	
System)	45
Turn Signal and Hazard	
Warning	46
Indicator, Instrument Panel.....	42
Inflation, Proper Tire	160
Inside Mirror	71
Inspection, Tire	161
Instrument Panel	41
Instrument Panel Brightness	52
Interior Lights.....	73
Introduction.....	i

J

Jacking Up the Vehicle	172
Jack, Tire	171
Jump Starting	185

K

Keys..... 54

L

Label, Certification 200
 Lane Change, Signaling 51
 Lap/Shoulder Belts 16
 Lighter, Cigarette 75
 Lights
 Bulb Replacement 153
 Indicator 42
 Parking 51
 Turn Signal 51
 Load Limit 114
 Loading Cargo..... 113
 LOCK (Ignition Key Position) 57
 Locks
 Anti-theft Steering Column 57
 Fuel Fill Door 105
 Glove Box 76
 Power Door 58
 Trunk 59
 Low Coolant Level..... 108
 Lower Gear, Downshifting to a.... 120

Low Fuel Indicator 46
 Low Oil Pressure Indicator 43, 189
 Lubricant Specifications Chart 202
 Luggage, *storing (cargo)* 113

M

Maintenance..... 133
 Owner's Maintenance
 Checks 136
 Record..... 139
 Schedule 135
 Malfunction Indicator Lamp .. 44, 190
 Manual Transmission..... 120
 Manual Transmission Fluid 150
 Meters, Gauges..... 47
 Mirrors, Adjusting 71
 Modifying Your Vehicle..... 112

N

Neutral Gear Position..... 124
 New Vehicle Break-in 104
 Normal Shift Speeds..... 121
 NOTICE, Explanation of..... ii
 Numbers, Identification..... 200

O

Octane Requirement, Gasoline 104
 Odometer 47
 Odometer, Trip 47
 Oil
 Change, How to 144
 Change, When to 135
 Checking Engine 107
 Pressure Gauge 48
 Pressure Indicator 43, 189
 Selecting Proper Viscosity
 Chart 144
 ON (Ignition Key Position) 57
 Onboard Refueling Vapor
 Recovery 207
 Opening the Engine Cover 106
 Opening the Trunk..... 59
 Outside Mirrors 71
 Overheating, Engine 187

CONTINUED

Index

P

Panel Brightness Control	52
Park Gear Position.....	124
Parking Brake	72
Parking Lights.....	51
PGM-FI System.....	208
Pregnancy, Using Seat Belts	14
Protecting Adults and Teens.....	10
Additional Safety Precautions... ..	15
Advice for Pregnant Women.....	14
Protecting Children	22
Protecting Larger Children	31
Protecting Small Children	26
Using Child Seats with Tethers.....	30

R

Radiator Overheating.....	187
Radio/Cassette Sound System.....	84
Readiness Codes.....	210
Rear Lights, Bulb Replacement... ..	155
Rear View Mirror.....	71
Rear Window Defogger.....	52

Opening the.....	106
Reclining the Seat-backs.....	62
Recommended Shift Speeds	121
Recovery Vehicle, Emergency Towing	197
Reminder Lights	42
Remote Transmitter.....	60
Removable Roof Panel.....	65
Installing	68
Removing and Storing.....	65
Roof Unlatched Indicator	69
Roof Cover.....	66
Replacement Information Engine Oil and Filter	144
Fuses	192
Light Bulbs.....	153
Schedule	137
Tires	160
Wiper Blades	158
Replacing Seat Belts After a Crash	17
Reserve Tank, Engine Coolant	108
Restraint, Child	22
Reverse Gear Position.....	124
Rotation, Tire	162

S

Safety Belts.....	8
Safety Defects, Reporting.....	216
Safety Labels, Location of	36
Safety Messages	ii
Seat Belt, Additional Information ..	15
Lap/Shoulder Belt.....	16
Seat Belt Maintenance	17
Seat Belt System Components... ..	15
Seat Belts	8
Additional Information.....	15
Automatic Seat Belt Tensioners.....	16
Cleaning	157
Maintenance.....	17
Reminder Light and Beeper.....	43
System Components.....	15
Use During Pregnancy.....	14
Seats, Adjusting the.....	62
Security Alarm System	99
Serial Number	200
Service Intervals	137
Service Manual	217
Service Station Procedures	105
Setting the Clock	76

Index

Traction Control System (TCS)	
Operation.....	131
Trailer, Do Not Tow a.....	132
Transmission	
Checking Fluid Level,	
Automatic	149
Checking Fluid Level, 6-speed	
Manual Transmission	150
Fluid Selection	149, 150
Identification Number.....	200
Shifting the Automatic.....	123
Shifting the 6-speed Manual	
Transmission.....	120
Treadwear	204
Trip Meter	47
Trunk.....	59
Emergency Trunk Opener	59
Opening the	59
Open Monitor Light	45
Turn Signals	51

U

Unexpected, Taking Care	
of the	169
Uniform Tire Quality Grading	204

Unleaded Gasoline.....	104
Used Oil, How to Dispose of	146

V

Vehicle Dimensions.....	202
Vehicle Identification Number.....	200
Vehicle Storage.....	167
Ventilation.....	80
VIN	200
Viscosity, Oil.....	144
Voltmeter.....	48

W

WARNING, Explanation of	ii
Warning Labels, Location of	36
Warranty Coverages	215
Washer, Windshield	
Checking the Fluid Level	148
Operation.....	50
Wheels	164
Adjusting the Steering	53
Alignment and Balance.....	162
Folding Spare	181
Wrench	171

Windows	
Operating the Power	63
Opening the Rear.....	106
Rear, Defogger	52
Windshield	
Cleaning	50
Defroster	81
Washers	50
Wipers, Windshield	
Changing Blades.....	158
Operation	50
Worn Tires	161
Wrecker, Emergency Towing.....	197

Service Information Summary

Gasoline:

Premium unleaded gasoline, pump octane number of 91 or higher.

Fuel Tank Capacity:

18.5 US gal (70 ℓ)

Recommended Engine Oil:

API premium grade 10W-30 detergent oil (see page [144](#)).

Oil change capacity (including filter):

5.3 US qt (5.0 ℓ)

Automatic Transmission Fluid:

Honda ATF-Z1 (Automatic Transmission Fluid) preferred, or a DEXRON® III ATF as a temporary replacement (see page [149](#)).

6-speed Manual Transmission

Fluid:

Honda Manual Transmission Fluid preferred, or an SAE 10W-30 or 10W-40 motor oil as a temporary replacement (see page [150](#)).

Capacity:

2.7 US qt (2.6 ℓ)

Brake Fluid:

Honda Heavy Duty Brake Fluid DOT 3 preferred, or a DOT 3 or DOT 4 brake fluid as a temporary replacement (see page [151](#)).

Tire Pressure (measured cold):

Front:

33 psi (230 kPa , 2.3 kgf/cm²)

Rear:

40 psi (275 kPa , 2.8 kgf/cm²)

Spare Tire Pressure:

Front:

26 psi (180 kPa , 1.8 kgf/cm²)

Rear:

32 psi (220 kPa , 2.2 kgf/cm²)