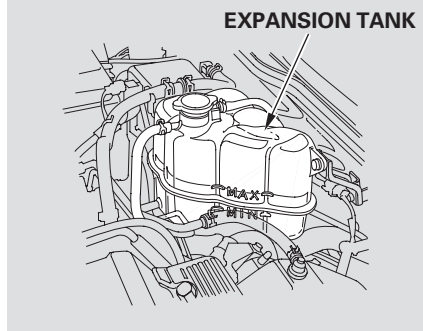


Adding Engine Coolant



If the expansion tank is completely empty, add coolant to bring it up to the MAX line. Inspect the cooling system for leaks. This coolant should always be a mixture of 50 percent antifreeze and 50 percent water. Never add straight antifreeze or plain water.

Always use Honda All Season Antifreeze/Coolant Type 2. This coolant is pre-mixed with 50 percent antifreeze and 50 percent water. It does not require any additional mixing. If it is not available, you may use another major-brand non-silicate coolant as a temporary replacement. Make sure it is a high-quality coolant recommended for aluminum engines. However, continued use of any non-Honda coolant can result in corrosion, causing the cooling system to malfunction or fail. Have the cooling system flushed and refilled with Honda antifreeze/coolant as soon as possible.

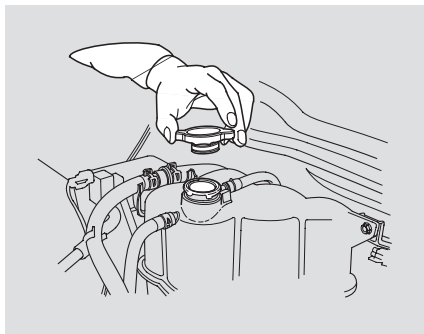
⚠ WARNING

Removing the expansion tank cap while the engine is hot can cause the coolant to spray out, seriously scalding you.

Always let the engine and radiator cool down before removing the expansion tank cap.

CONTINUED

Cooling System



1. Make sure the engine and radiator are cool.
2. Turn the expansion tank cap counterclockwise, without pressing down on it, until it stops. This relieves any pressure remaining in the cooling system.
3. Remove the expansion tank cap by pushing down and turning counterclockwise.

4. Pour coolant into the expansion tank. Fill it to the MAX line. Put the cap back on the expansion tank.

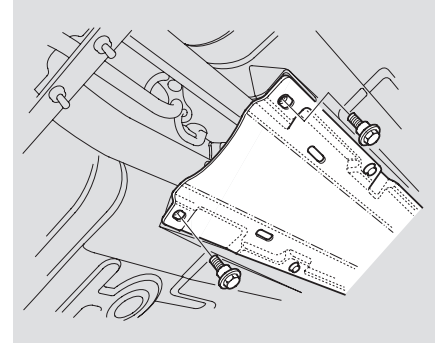
Pour the coolant slowly and carefully so you do not spill. Clean up any spills immediately. Spilled coolant could damage components in the engine compartment.

Do not add any rust inhibitors or other additives to your car's cooling system. They may not be compatible with the coolant or engine components.

Replacing Engine Coolant

The cooling system should be completely drained and refilled with new coolant according to the time and distance recommendations in the maintenance schedule. Only use Honda All Season Antifreeze/Coolant Type 2. Use of any non-Honda coolant or plain water can result in corrosion and deposits in the cooling system.

Draining the coolant requires access to the underside of the car. Unless you have the tools and knowledge, you should have this maintenance done by a skilled mechanic.

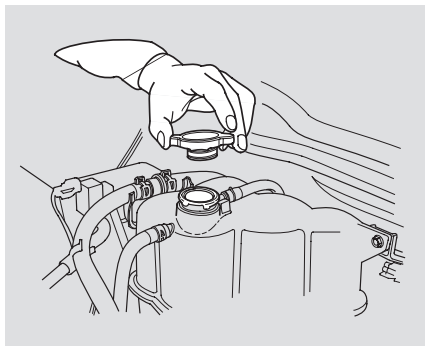


To replace the coolant:

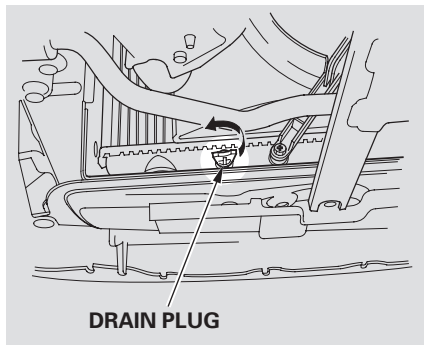
1. Open the hood, the rear window, and engine cover.
2. Remove the cover protecting the coolant pipes and shift linkage on the underside of the car.

CONTINUED

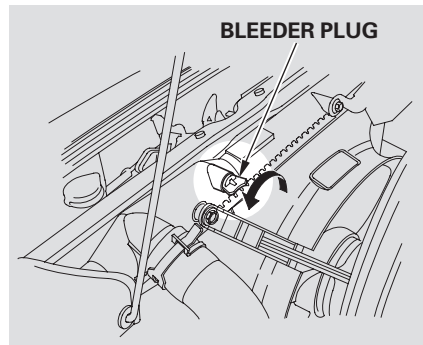
Cooling System



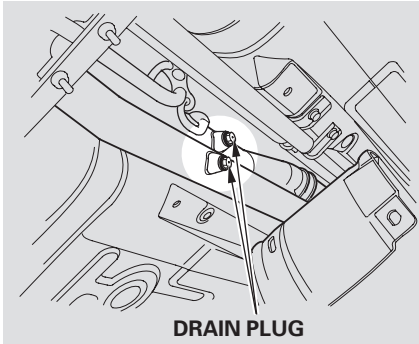
3. Start the engine. Turn the heater temperature control dial to maximum heat and turn off the engine. Make sure the engine and radiator are cool to the touch.



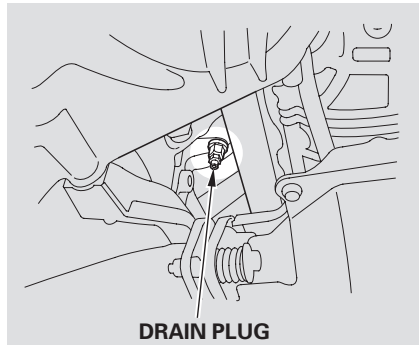
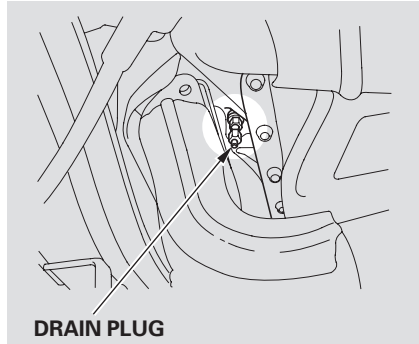
4. Remove the drain plug from the bottom of the radiator.



5. Loosen the bleeder plug on top of the radiator.



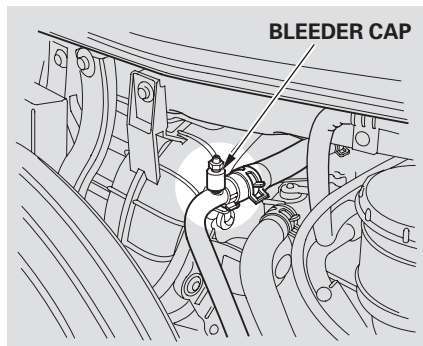
6. Remove the drain plugs from the coolant pipes under the car.



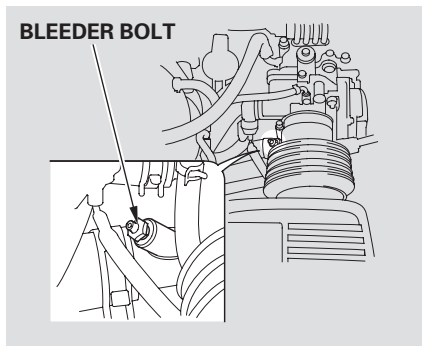
7. Loosen the drain plugs on the engine.
8. When the coolant stops draining, tighten the engine drain plugs, reinstall the plugs in the coolant pipes, and reinstall the radiator drain plug.

CONTINUED

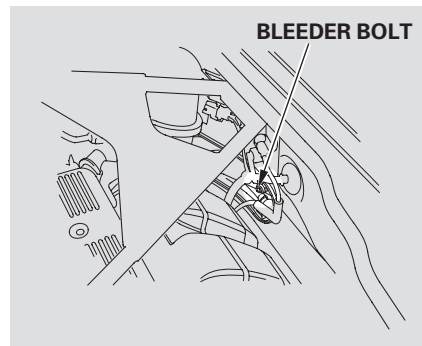
Cooling System



9. Remove the bleeder cap from the top of the heater inlet.



10. Loosen the bleeder bolt on top of the engine.

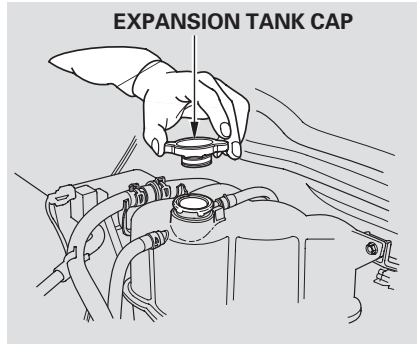


11. Loosen the bleeder bolt near the expansion tank.

12. Pour Honda All Season Antifreeze/Coolant Type 2 into the expansion tank. This coolant is a mixture of 50 percent antifreeze and 50 percent water. Premixing is not required.

The cooling system capacity is:
3.17 US gal (12.0 ℓ)

Coolant will go through the tank into the system. When the tank is full, go to each of the four bleeders. Close each bleeder when coolant comes out of it in a steady stream with no bubbles. You may need to refill the expansion tank.



13. Fill the expansion tank to about 1 in. (2.5 cm) above the MAX line. Put the cap back on the tank, only tighten it to the first stop. Start the engine and let it run until it warms up (the radiator cooling fan comes on at least twice).

14. Turn off the engine. Check the expansion tank and, if needed, add coolant to bring it up to the MAX line. Tighten the expansion tank cap. Reinstall the cover on the car's underside.