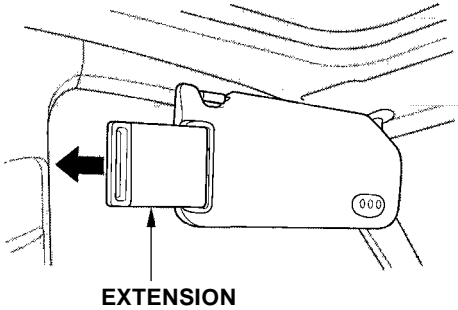


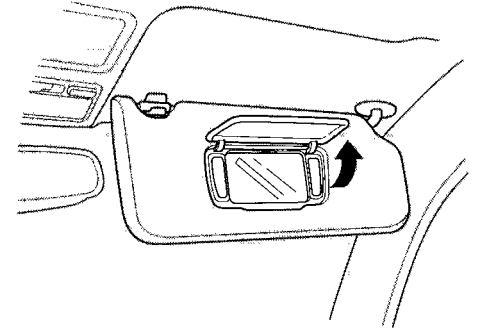
### Sun Visor



To use the sun visor, pull it down. You can also use the sun visor at the side window. Remove the support rod from the clip and swing the sun visor toward the side window. In this position, the sun visor can be extended by sliding out the extension.

Make sure you put the sun visor back in place when you are getting into or out of the car. Do not use the sun visor extension over the rear view mirror.

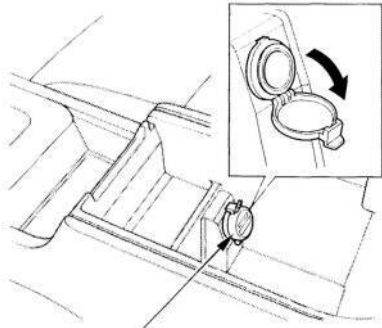
### Vanity Mirror



To use a vanity mirror on the back of the sun visor, pull up the cover.

The light beside the mirror comes on when you pull up the cover.

## Accessory Power Socket

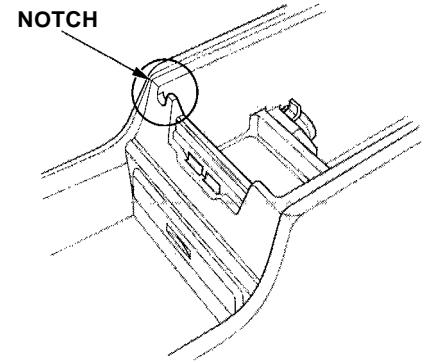


**ACCESSORY POWER SOCKET**

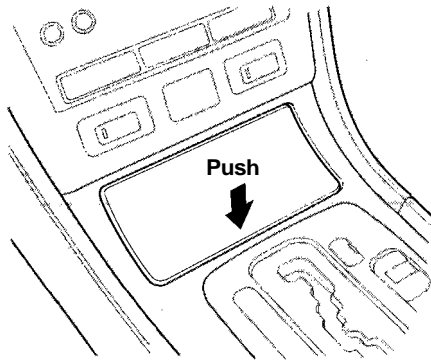
To use the accessory power socket, pull down on the cover. The ignition switch must be in ACCESSORY (I) or ON (II).

This socket is intended to supply power for 12 volt DC accessories that are rated 120 watts or less (10 amps).

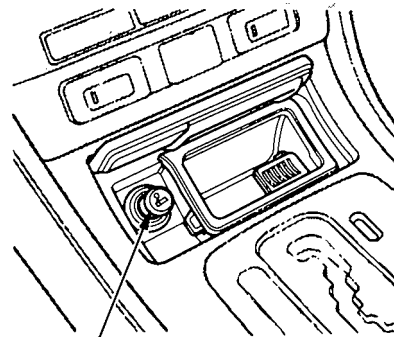
It will not power an automotive type cigarette lighter element.



Use the notch in the edge of the console compartment to route the wire to the accessory power socket.



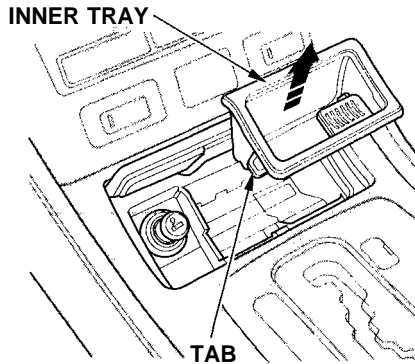
The cigarette lighter is next to the front ashtray under the ashtray lid. Open the lid by pushing on it.



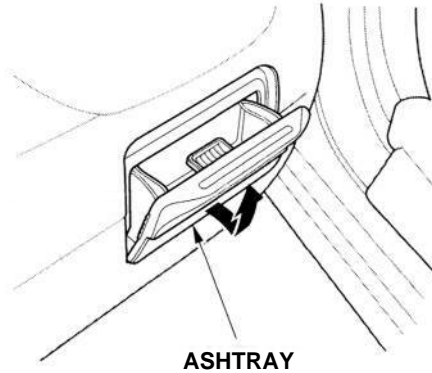
**CIGARETTE LIGHTER**

The ignition switch must be in ACCESSORY (I) or ON (II) for the cigarette lighter to work. To heat up the lighter, push it in. It will pop out when it is ready for use. Do not hold the lighter in while it is heating up, you could cause it to overheat.

## Ashtrays



Open the front ashtray by pushing on the lid. To close the ashtray, push it in until it clicks shut. To remove it for emptying, grasp the tab on the left side of the inner tray and lift it up and out.

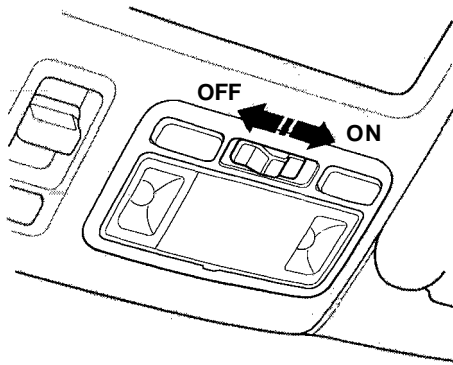


The rear ashtrays are in the front lower corner of each door. Open the ashtray by swinging the upper edge of the lid down. To remove the ashtray for emptying, open it, then lift up and out.

### NOTICE

*Use the ashtray only for cigarettes, cigars, and other smoking materials. To prevent a possible fire and damage to your car, don't put paper or other things that can burn in the ashtray.*

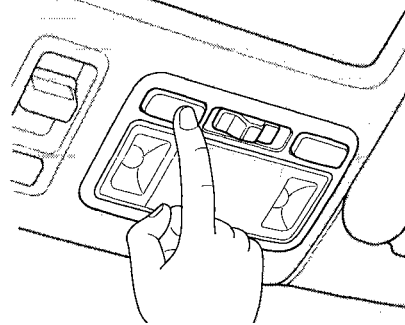
## Ceiling Lights



Both front and rear ceiling lights contain a main light as well as two spotlights.

The front ceiling light has a three-position switch. With the switch in the OFF position (far left), the main lights do not come on. In the center position, the main lights come on when you open any door. After all doors are closed tightly, they dim slightly then fade out in about 10 seconds. In the ON position (far

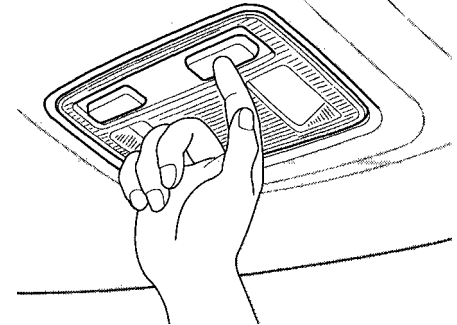
FRONT



right), the main lights stay on continuously.

Turn on the spotlights in the front and rear ceiling lights by pushing the grey button next to each light. Push the button again to turn it off. You can use the front spotlights at all times. The rear spotlights only light when the parking lights or headlights are on.

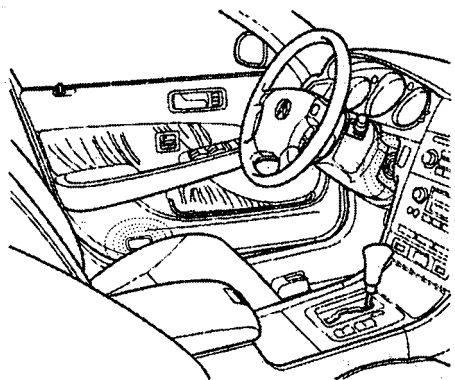
REAR



*On cars with automatic lighting*  
With the light switch in the AUTO position, you can use the rear spotlights only when the headlights turn on automatically.

## Courtesy Lights

---



In addition to the ceiling lights, your Acura has courtesy lights in each door and the ignition switch.

The door courtesy lights come on whenever you open any door. After all doors are closed tightly, they dim slightly then fade out in about 10 seconds.

Even if the door is open, the lights will turn off after three minutes when the key is not in the ignition switch or the ignition switch is in the LOCK (0) or ACCESSORY (I) position, and the light switch is in the off position.

The door courtesy lights and ceiling lights (with the switch in the center position) come on when you unlock the door with the key, lock tab on the driver's door, master door lock switch, or remote transmitter (see [page 82](#) ). If you relock the driver's door or close the driver's door with the key in the ignition switch, the lights turn off immediately. Otherwise, they remain on, then fade out in about 10 seconds.

The door courtesy lights and ceiling lights (with the switch in the center position) also come on when you remove the key from the ignition switch. If you do not open a door, they stay on, then fade out in about 10 seconds.

The courtesy light in the ignition switch comes on when you open the driver's door. It remains on about 10 seconds after the door is closed.