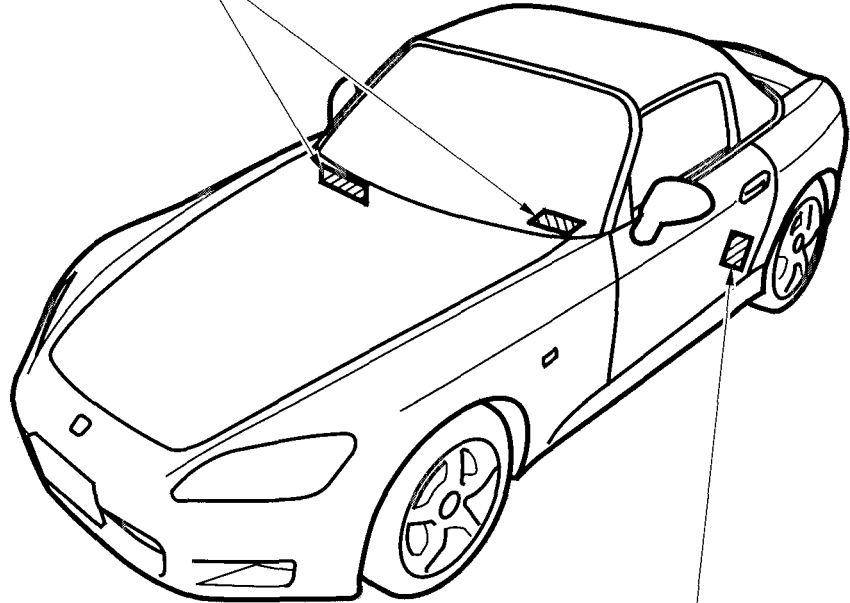


Identification Numbers

Your car has several identifying numbers located in various places.

The Vehicle Identification Number (VIN) is the 17-digit number your Honda dealer uses to register your car for warranty purposes. It is also necessary for licensing and insuring your car. The easiest place to find the VIN is on a plate fastened to the top of the dashboard. You can see it by looking through the windshield on the driver's side. It is also on the Certification label attached to the driver's doorjamb, and is stamped on the engine compartment bulkhead. The VIN is also provided in bar code on the Certification label.

VEHICLE IDENTIFICATION NUMBER



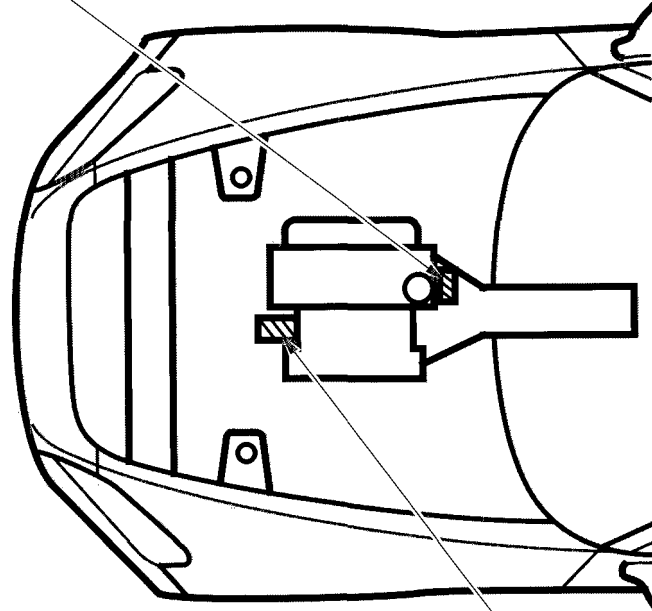
CERTIFICATION LABEL

Identification Numbers

The Engine Number is stamped on the left front corner of the engine block.

The Transmission Number is on a label underneath the transmission.

TRANSMISSION NUMBER



ENGINE NUMBER