

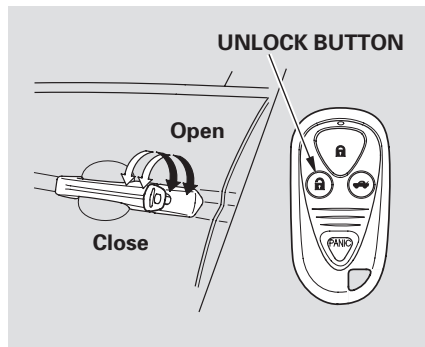
## Power Windows, Moonroof

### Opening the Windows and Moonroof with the Remote Transmitter

You can open all of the windows and the moonroof from outside with the remote transmitter.

1. Press the UNLOCK button once to unlock the driver's door.
2. Press the UNLOCK button a second time, and hold it. The passenger's doors unlock, and all four windows and moonroof start to open. To stop the windows and moonroof, release the button.
3. To open the windows and moonroof further, press the button again and hold it. If the windows and the moonroof stop before the desired position, repeat steps 1 and 2.

You cannot close the windows or the moonroof with the remote transmitter.



### Opening/Closing the Windows and Moonroof with the Key

You can open and close the windows and moonroof with the key in the driver's door lock.

To open:

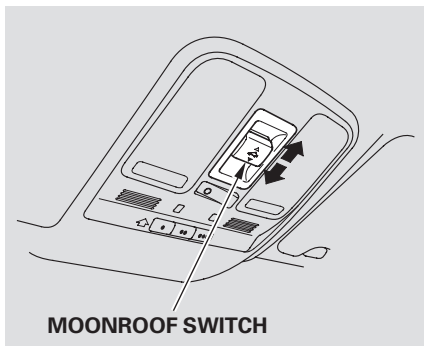
1. Insert the key in the driver's door lock.
2. Turn the key clockwise, then release it.

3. Turn the key clockwise again, and hold it. All four windows and moonroof start to open. To stop the windows and the moonroof, release the key.
4. To open the windows and moonroof further, turn and hold the key again (within 15 seconds).

To close:

1. Insert the key in the driver's door lock.
2. Turn the key counterclockwise, then release it.
3. Turn the key counterclockwise again, and hold it. All four windows and moonroof start to close. To stop the windows and moonroof, release the key.
4. To close the windows and moonroof further, turn and hold the key again (within 15 seconds).

**NOTE:** If the windows and moonroof stop before the desired position, repeat steps 2 and 3.



To slide the moonroof open, pull back the moonroof switch firmly. The moonroof automatically opens all the way. To stop the moonroof from opening fully, push the switch forward briefly.

To tilt the moonroof, press straight up on the center of the switch. To stop the moonroof from tilting fully open, press the switch a second time.

To close the moonroof fully, push the switch firmly forward. The moonroof automatically closes all the way. To stop the moonroof from closing fully, press the switch a second time.

To open or close the moonroof partially, pull back or push forward the moonroof switch lightly and hold it. The moonroof will stop when you release the switch.

Make sure everyone's hands are away from the moonroof before opening or closing it.

### **⚠ WARNING**

Opening or closing the moonroof on someone's hands or fingers can cause serious injury.

Make sure all hands and fingers are clear of the moonroof before opening or closing it.

### **Auto Reverse**

If the moonroof runs into any obstacle while it is closing automatically, it will reverse direction, and then stop. To close the moonroof, remove the obstacle, then use the moonroof switch again.

Auto reverse stops sensing when the moonroof is almost closed. You should always check that all passengers and objects are away from the moonroof before closing it.

## Moonroof

---

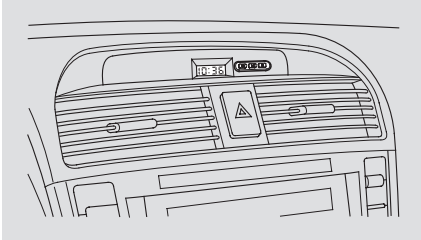
The moonroof has a key-off delay. You can still open and close the moonroof for up to 10 minutes after you turn off the ignition. The key-off delay cancels as soon as you open either front door. You must then turn the ignition to ON (II) for the moonroof to operate.

**NOTICE:** *If you try to open the moonroof in below-freezing temperatures, or when it is covered with snow or ice, you can damage the moonroof panel or its motor.*

### **Operating the Moonroof with the Remote Transmitter or the Key**

You can use the remote transmitter or the key to operate the moonroof from the outside. Refer to page [100](#) for details.

### Clock



*On models without navigation system*

The clock displays the time with the ignition switch in the ON (II) position. If your vehicle's battery is disconnected or goes dead, you will need to reset the clock.

Change the hour by pressing and holding the H button until the numbers advance to the desired time. Change the minutes by pressing and holding the M button until the numbers advance to the desired time.

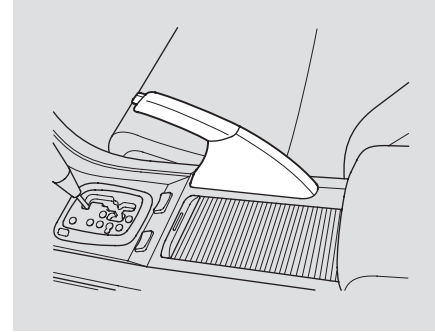
You can quickly set the time to the nearest hour. If the displayed time is before the half hour, press the R button to set the clock back to the previous hour. If the displayed time is after the half hour, the clock sets forward to the beginning of the next hour.

For example: 1:06 will reset to 1:00  
1:52 will reset to 2:00

*On models with navigation system*

The clock is set automatically.

### Parking Brake

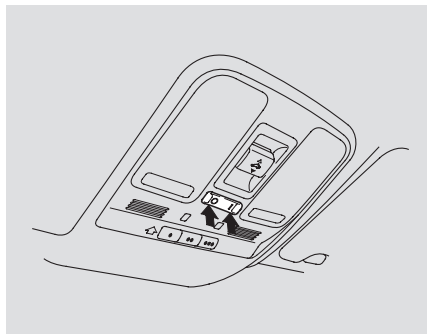


To apply the parking brake, pull the lever up fully. To release it, pull up slightly, push the button, and lower the lever. The parking brake indicator on the instrument panel should go out when the parking brake is fully released (see page 52).

**NOTICE:** *Driving the vehicle with the parking brake applied can damage the rear brakes and axles.*

## Interior Lights

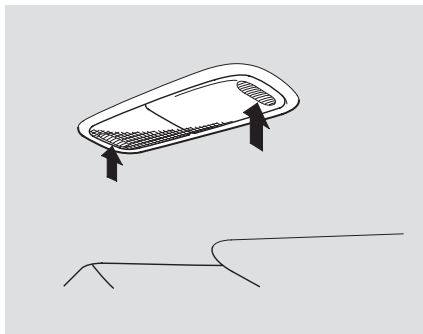
### Ceiling Light



The front ceiling light has a three-position switch; ON, Door Activated, and OFF.

When the “ | ” side of the switch is pushed in, both front and rear ceiling lights are ON all the time.

When the “ ○ ” side is pushed in, the lights are off all the time.



When neither side is pushed in (Door Activated), the lights come on when you:

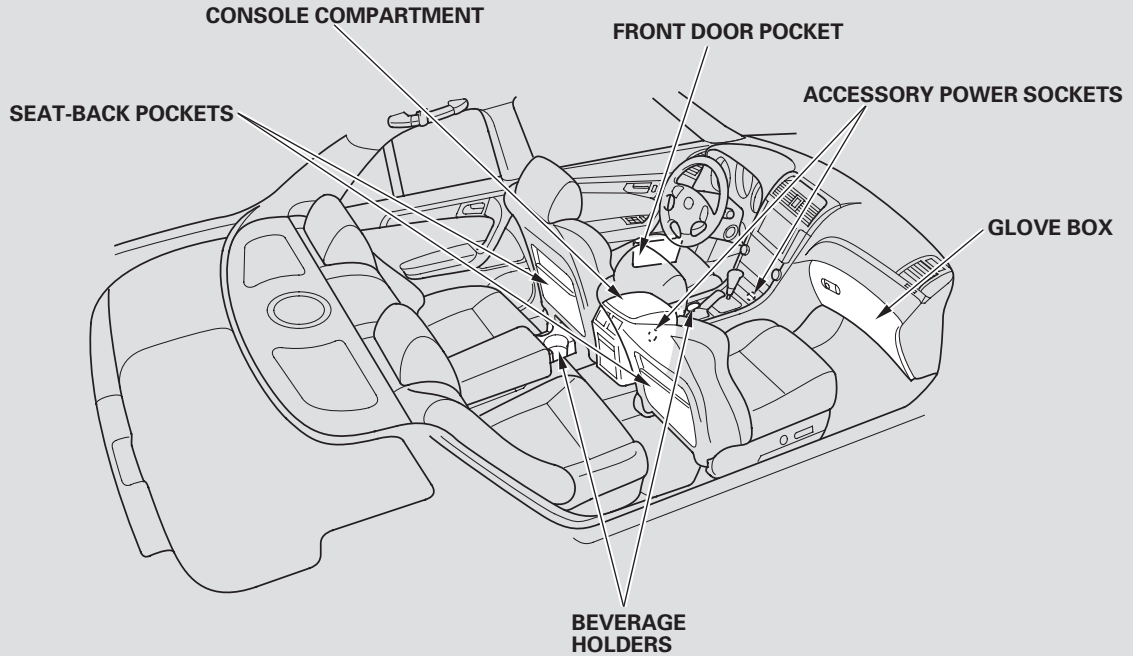
- Open any door.
- Unlock the doors with the key or remote transmitter.

After all doors are closed tightly, both front and rear ceiling lights fade out in 5, 15, or 30 seconds depending on your custom setting (see page [70](#)).

Both front and rear ceiling lights work as individual map lights. To turn a map light on or off, press its lens. You can use the front map lights regardless of the position of the front ceiling light switch.

With the front ceiling light switch in the OFF position, the rear map lights do not work, and the interior lights do not come on when you open a door.

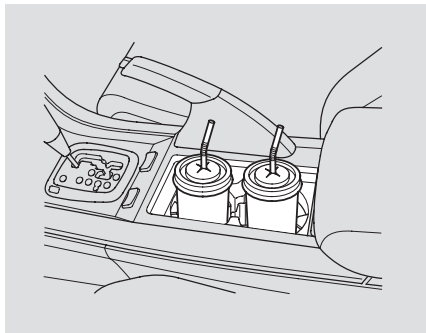
## Interior Convenience Item



## Interior Convenience Items

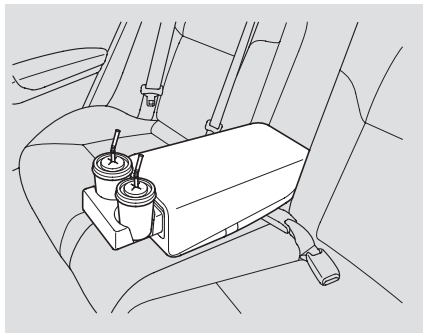
---

### Beverage Holders



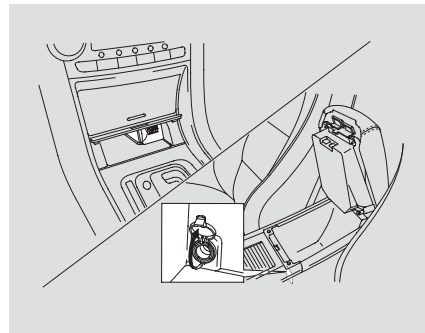
Be careful when you are using the beverage holders. A spilled liquid that is very hot can scald you or your passengers. Spilled liquids can also damage the upholstery, carpeting, and electrical components in the interior.

Open the front beverage holder by sliding its cover backward.



The rear beverage holder is in the rear seat armrest. Open the beverage holder by pushing the front of it, and pulling the holder all the way out.

### Accessory Power Sockets



There are two accessory power sockets. One is in the front of the center console under the utility pocket lid. The other is under the armrest in the console compartment storage area.

These sockets are intended to supply power for 12 volt DC accessories that are rated 120 watts or less (10 amps).

### Glove Box

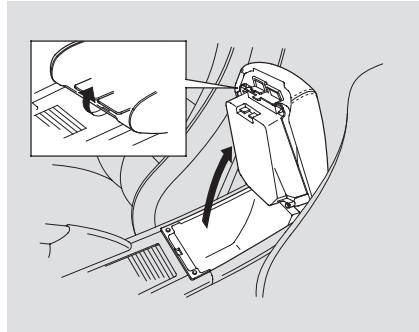
Open the glove box by squeezing the handle. Close it with a firm push. Lock or unlock the glove box with the master key.

### WARNING

An open glove box can cause serious injury to your passenger in a crash, even if the passenger is wearing the seat belt.

Always keep the glove box closed while driving.

### Console Compartment



To open the console compartment, pull up on the right lever, and lift the armrest. To open the console compartment storage area, pull up on the left lever, and lift the armrest. To close, lower the armrest, and push it down until it latches.

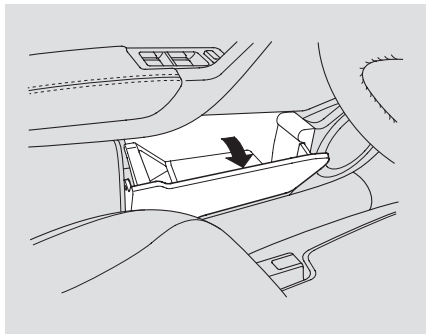
You can put small items in the tray located in the console compartment lid. To use the tray, pull up on the left lever and lift up the armrest.

The coin holder inside the console compartment is removable. To remove it, pull it up. The coin holder can also be stored in either front door pocket.

## Interior Convenience Item

---

### Front Door Pocket



The interior of each front door has an extendable pocket for maps and other small, light weight items. Each pocket also has a sunglasses holder. You can remove the sunglasses holder to make more room in the pocket.