

## Headlight Aiming

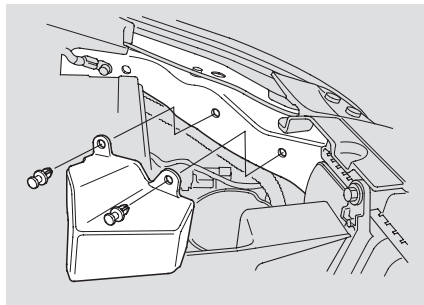
The headlights were properly aimed when your vehicle was new. If you regularly carry heavy items in the trunk, readjustment may be required. Adjustment should be done by your dealer or other qualified mechanic.

## Headlights

The headlight bulbs are a type of high voltage discharge tube. High voltage can remain in the circuit even with the light switch off and the key removed. Because of this, you should not attempt to examine or change a headlight bulb yourself. If a headlight bulb fails, take your vehicle to a dealer to have it replaced.

## Replacing a Front Fog Light or Daytime Running Light Bulb

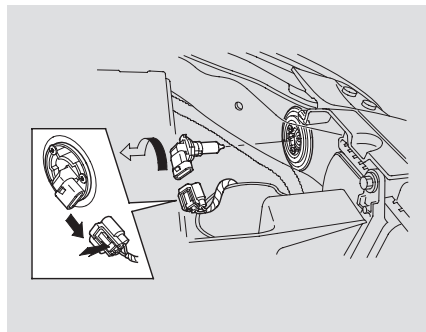
1. Remove the left or right side engine compartment cover from the side you are working on by carefully pulling the cover out.



If you are replacing the bulb on the driver's side, remove the air intake cover by removing the two fastener pins and pulling the cover out. Then remove the upper part of the air intake duct by pulling it straight up.

CONTINUED

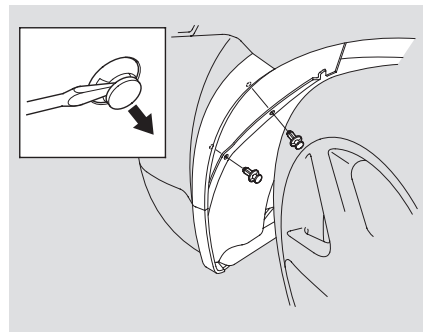
## Lights



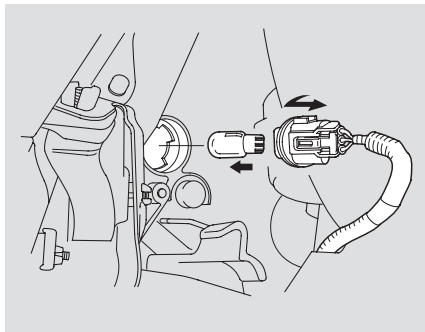
2. Remove the electrical connector from the bulb by pushing on the tab and pulling the connector down.
3. Remove the bulb by turning it one-quarter turn counterclockwise.

4. Insert the new bulb into the hole and turn it one-quarter turn clockwise to lock it in place.
5. Push the electrical connector back onto the bulb. Make sure it is on all the way.
6. Turn on the fog lights to test the new bulb.
7. (Driver's side)  
Install the upper part of the air intake duct.
8. (Driver's side)  
Install the engine compartment corner cover, and secure it with two fastener pins.
9. Install the engine compartment side cover.

### Replacing the Front Turn Signal/ Parking Light Bulb



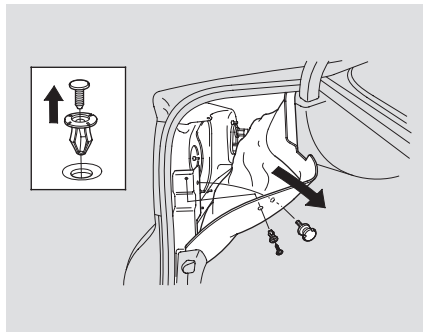
1. Start the engine. If you are replacing a driver's side bulb, turn the steering wheel all the way to the right. If you are replacing a passenger's side bulb, turn the steering wheel to the left. Turn off the engine.



2. Use a flat-tipped screwdriver to remove the holding clip from the middle edge of the inner fender cover, and pull the inner fender cover back.
3. Remove the socket from the headlight assembly by turning it one-quarter turn counterclockwise.

4. Remove the bulb from the socket by pushing it in and turning it counterclockwise until it unlocks.
5. Install the new bulb in the socket. Turn it clockwise to lock it in place.
6. Insert the socket into the headlight assembly. Turn it clockwise to lock it in place.
7. Test the lights to make sure the new bulb is working.
8. Push the inner fender cover in place. Install the holding clip, and lock it in place by pushing on its center.

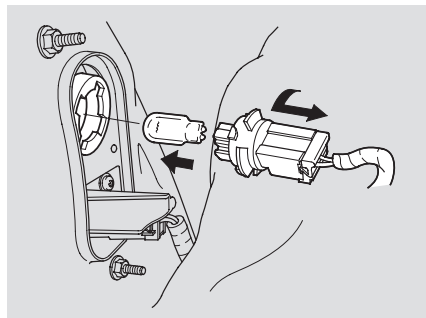
## Replacing the Rear Turn Signal Bulb (in Fenders)



1. Open the trunk. Using a small screwdriver, pop up the pin in the center of the fastener, then remove the fastener. Unscrew and remove the cargo net hook from the fender. Pull back the trunk lining.
2. Remove the socket by turning it one-quarter turn counterclockwise.

*CONTINUED*

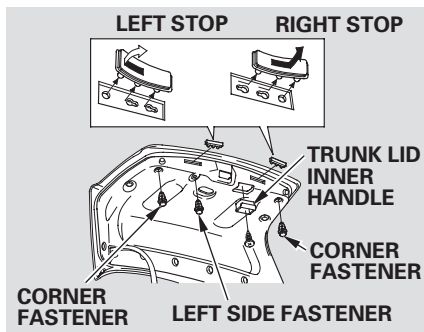
## Lights



3. Pull the bulb straight out of its socket. Push the new bulb straight into the socket until it bottoms.
4. Reinstall the socket into the light assembly by turning it clockwise until it locks.
5. Test the lights to make sure the new bulb is working.
6. Reinstall the trunk lining. Make sure it is installed under the edge of the trunk seal.

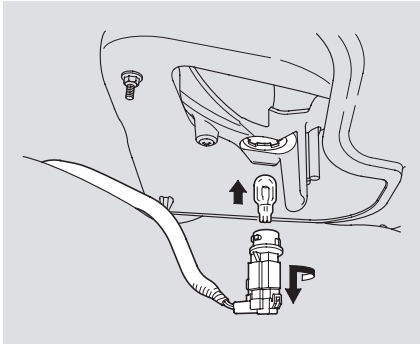
7. Insert the fastener into the hole on the side of the trunk lining, and push in the head of the fastener. Screw the cargo net hook into the fender.

### Replacing the Back-up Light Bulb (in Trunk Lid)



- 1 a. Determine which back-up light is out (left or right), then open the trunk.

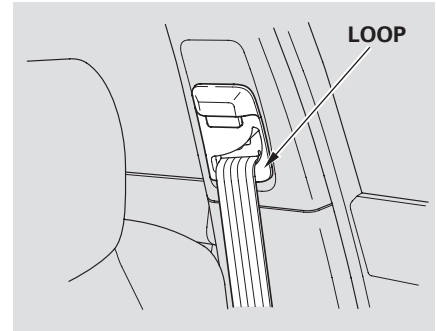
- b. Pop up the pin in the center of the left or right corner fastener with a small screwdriver, and remove the fastener. *Left side only:* Remove the left side fastener the same way.
- c. Pull out the outside edge of the rubber stop, then push the stop outward, and pull it to remove it.
- d. *Right side only:* Remove the screw from the trunk lid inner handle, and remove the handle trim.
- e. Pull back the corner of the trunk lid lining.



2. Remove the socket by turning it one-quarter turn counterclockwise.
3. Pull the bulb straight out of its socket. Push the new bulb straight into the socket until it bottoms.

4. Insert the socket into the light assembly. Turn it clockwise to lock it in place.
5. Test the lights to make sure the new bulb is working.
6. Reinstall the trunk lid lining. Make sure it is installed under the edge of the trunk seal.
7. Install all removed parts.

### Cleaning the Seat Belts



If your seat belts get dirty, use a soft brush with a mixture of mild soap and warm water to clean them. Do not use bleach, dye, or cleaning solvents. Let the belts air-dry before you use the vehicle.

Dirt build-up in the loops of the seat belt anchors can cause the belts to retract slowly. Wipe the insides of the loops with a clean cloth dampened in mild soap and warm water, or isopropyl alcohol.