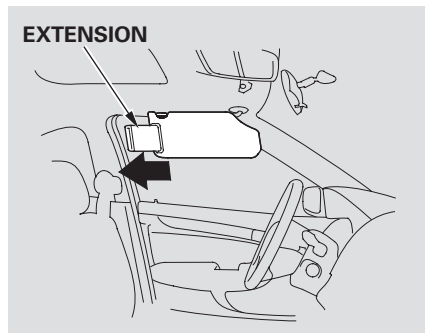
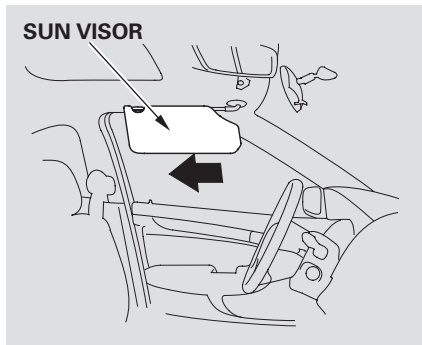


Sun Visor

To use the sun visor, pull it down. You can also use the sun visor at the side window. Remove the support rod from the clip and swing the sun visor toward the side window.



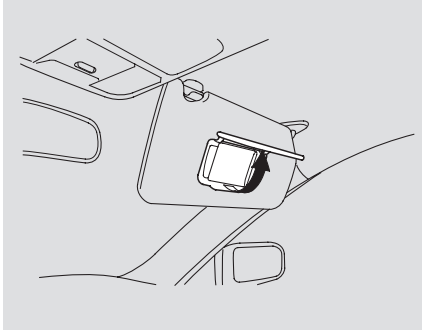
On cars without side curtain airbags
In this position, the sun visor can be extended by sliding out the extension. Do not use the sun visor extension over the rear view mirror.



On cars with side curtain airbags
In this position, the sun visor can be adjusted by moving it on its slider. Do not use the sun visor over the rear view mirror.

Make sure you put the sun visor back in place when you are getting into or out of the car.

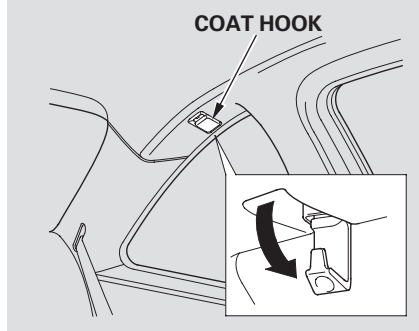
Vanity Mirror



To use a vanity mirror on the back of the sun visor, pull up the cover.

The lights beside the mirror come on when you pull up the cover.

Coat Hook

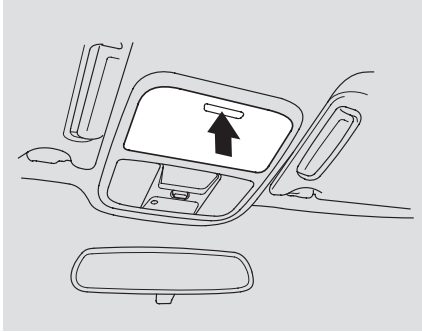


To use a coat hook, pull it down. Close it with a firm push.

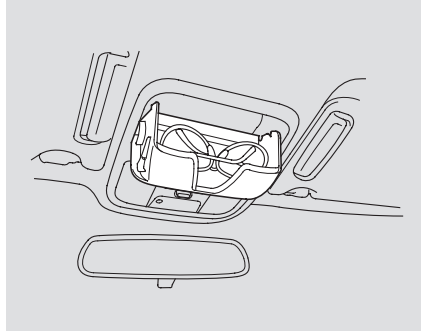
Make sure the coat hook is closed when you are not using it. This hook is not designed for large or heavy items.

Sunglasses Holder, Accessory Power Sockets

Sunglasses Holder



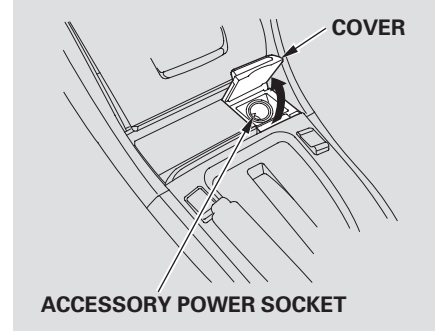
To open the sunglasses holder, push on the front edge. It will unlatch and swing down. To close it, push it until it latches. Make sure the holder is closed while you are driving.



Some larger styles of sunglasses may not fit in the holder.

You may also store small items in this holder. Make sure they are small enough to let the holder close and latch, and that they are not heavy enough to cause the holder to pop open while driving.

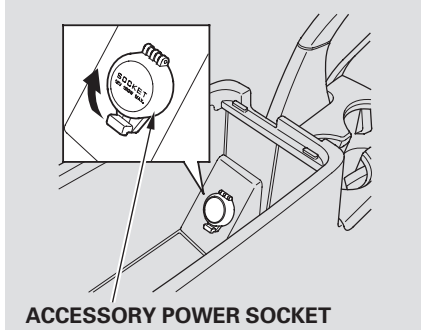
Accessory Power Sockets



Your car has two accessory power sockets, one is located in the front of the center console, and the other is in the center console compartment. To use an accessory power socket, the ignition switch must be in ACCESSORY (I) or ON (II).

To open the socket, pull the cover up.

Accessory Power Sockets, Interior Lights

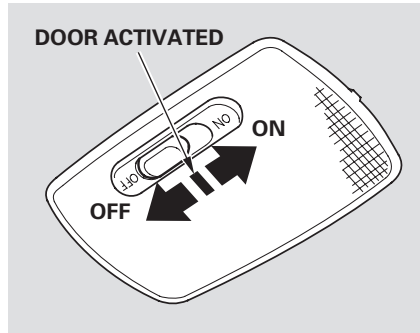


These sockets are intended to supply power for 12 volt DC accessories that are rated 120 watts or less (10 amps).

When both sockets are being used, the combined power rating of both accessories should be 120 watts or less (10 amps).

They will not power an automotive type cigarette lighter element.

Ceiling Light



The ceiling light has a three-position switch. In the OFF position, the light does not come on. In the center position, the ceiling light comes on when you open either door.

After both doors are closed tightly, the light dims slightly, then fades out in about 30 seconds. In the ON position, the ceiling light stays on continuously.

The ceiling light (with the switch in the center position) also comes on when you unlock the door with the remote transmitter (see page 88). The light fades out after both doors are closed.

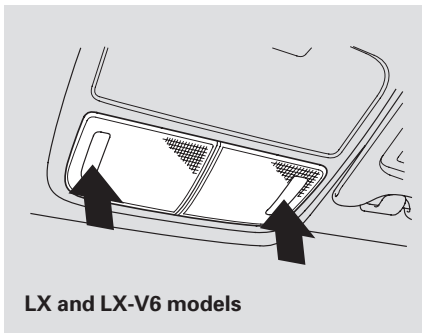
CONTINUED

Interior Lights

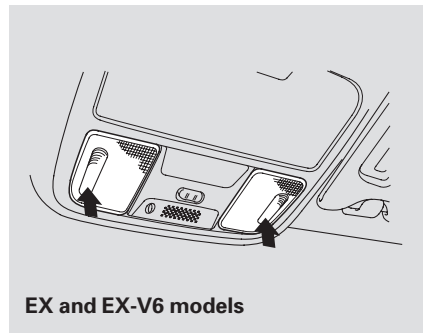
The ceiling light (with the switch in the center position) comes on when you remove the key from the ignition switch. If you do not open a door, the light stays on, then fades out in about 30 seconds.

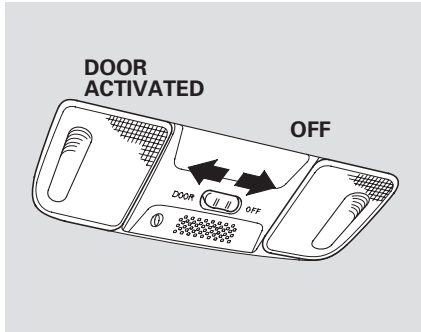
If you leave either door open with the key not in the ignition switch, the ceiling light will go off after three minutes.

Spotlights



Turn on a spotlight by pushing the lens. Push the lens again to turn it off. You can use the spotlights at all times.

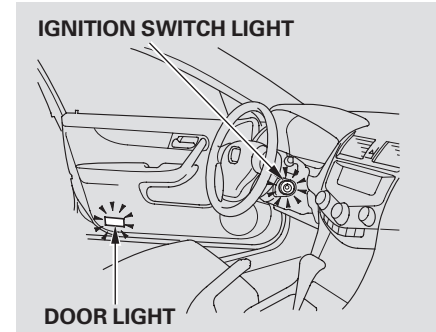




On EX and EX-V6 models
The spotlights have a two-position switch. In the DOOR position, the lights come on when you open either door. In the OFF position, the lights do not come on.

The spotlights (with the switch in the DOOR position) also come on when you unlock the door with the remote transmitter, and when you remove the key from the ignition switch. (See Ceiling Light on page 117.)

Courtesy Lights

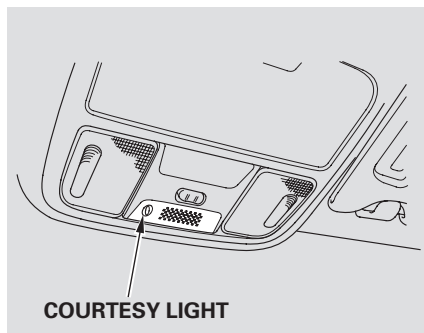


The courtesy light in each door comes on when the door is opened, and goes out when the door is closed.

Your car also has a courtesy light in the ignition switch. This light comes on when you open the driver's door. It fades out in about 30 seconds after the door is closed.

CONTINUED

Interior Lights



On EX and EX-V6 models

The courtesy light between the spotlights comes on when you turn the parking lights on. To adjust its brightness, turn the Select/Reset knob on the instrument panel.