

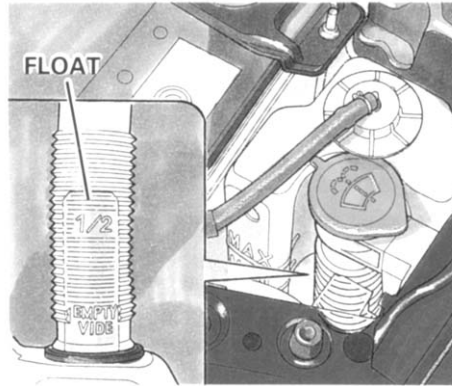
Windshield Washers

Check the level in the windshield washer reservoir at least monthly during normal usage. In bad weather, when you use the washers often, check the level every time you stop for fuel.

The windshield washer reservoir is located next to the battery. Check the reservoir's fluid level by removing the cap and looking at the float. It should be up to the top of the neck. If the float is at the bottom of the neck, the reservoir is nearly empty.

Canadian Model

You will see the washer level indicator come on when the level is low (see page [35](#)).



Fill the reservoir with a good-quality windshield washer fluid. This increases the cleaning capability and prevents freezing in cold weather.

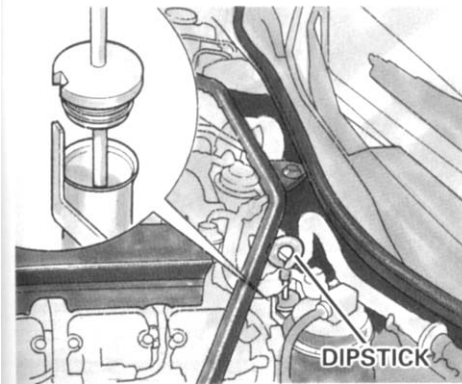
NOTICE

Do not use engine antifreeze or a vinegar/water solution in the windshield washer reservoir.

Antifreeze can damage your car's paint, while a vinegar/water solution can damage the windshield washer pump.

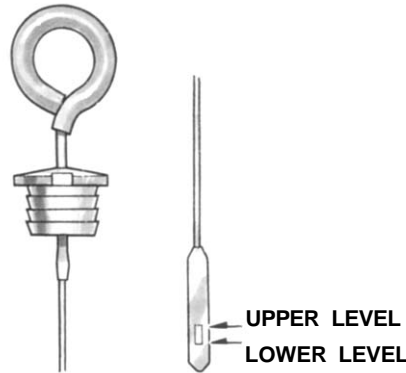
Use only commercially-available windshield washer fluid.

Automatic Transmission



Check the fluid level with the engine at normal operating temperature.

1. Park the car on level ground. Shut off the engine.
2. Remove the dipstick (yellow loop) from the transmission and wipe it with a clean cloth.



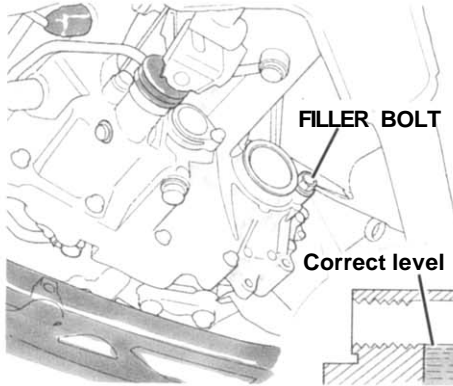
3. Insert the dipstick into the transmission. Make sure the notch in the rubber cap fits in the dipstick guide and that you push the dipstick in all the way.
4. Remove the dipstick and check the fluid level. It should be between the upper and lower level.

5. If the level is below the lower level, add fluid into the tube to bring it to the upper level. Use Honda Premium Formula Automatic Transmission Fluid or an equivalent DEXRON® II Automatic Transmission Fluid (ATF) only.
6. Insert the dipstick back in the transmission. Make sure the notch fits in the dipstick guide and the dipstick is down all the way.

The transmission should be drained and refilled with new fluid every 24 months or 48,000 km (30,000 miles), whichever comes first. Shorten this to every 12 months or 24,000 km (15,000 miles) under severe driving conditions (see page 144).

Transmission Oil. Differential Oil

6-speed Manual Transmission

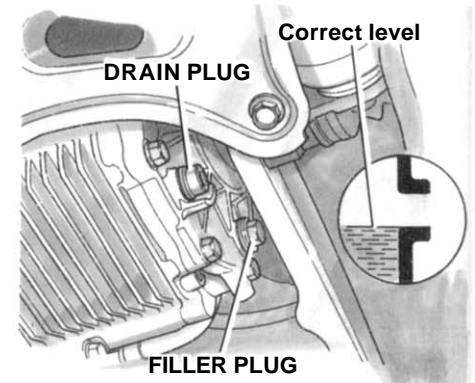


Check the oil level a couple of minutes after shutting off the engine. Make sure the car is on level ground. Remove the transmission filler bolt. The oil level should be up to the edge of the bolt hole. Feel inside the bolt hole with your finger. If you do not feel any oil, slowly add oil until it starts to run out of the hole. Reinstall the filler bolt and tighten it securely.

Only use an API Service SF or SG grade motor oil with a viscosity of SAE 10W-30 or 10W-40.

The transmission should be drained and refilled with new oil every 24 months or 48,000 km (30,000 miles), whichever comes first. Shorten the service interval to every 12 months or 24,000 km (15,000 miles) under severe driving conditions (see page 144).

Differential Oil



Check the oil in the differential with the car sitting level. Remove the oil filler plug and check that the oil level is up to the edge of the hole.

If it is not, slowly add oil until it starts to run out of the hole. Reinstall the filler plug and tighten it securely.