

Lights

Headlight Aiming

The headlights were properly aimed when your vehicle was new. If you regularly carry heavy items in the cargo area or pull a trailer, readjustment may be required. Adjustment should be done by your dealer or other qualified mechanic.

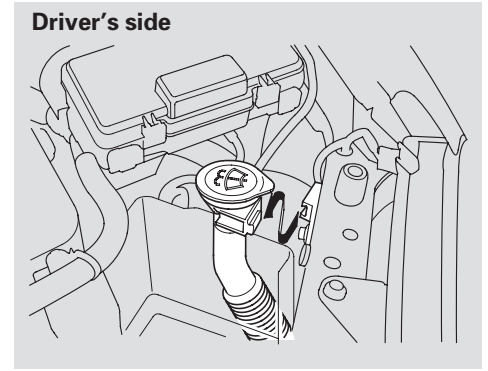
Replacing a Headlight Bulb

Your vehicle uses halogen headlight bulbs. When replacing a bulb, handle it by its plastic case and protect the glass from contact with your skin or hard objects. If you touch the glass, clean it with denatured alcohol and a clean cloth.

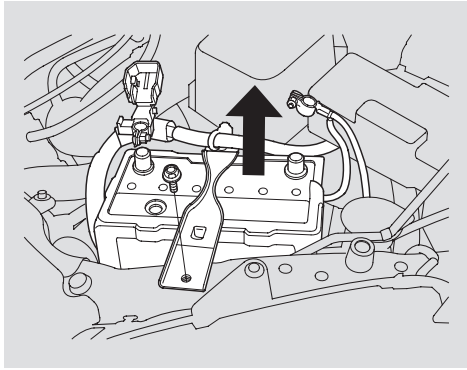
NOTICE

Halogen headlight bulbs get very hot when lit. Oil, perspiration, or a scratch on the glass can cause the bulb to overheat and shatter.

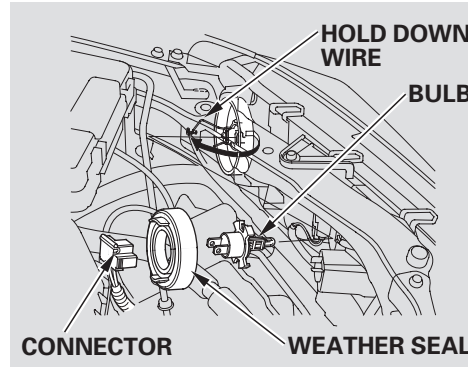
Replacing a Low Beam Headlight Bulb



1. If you need to change the low beam headlight bulb on the driver's side, remove the neck of the windshield washer reservoir from the bracket by sliding it to the left.



Then remove the bolt from the battery hold-down, and carefully push the battery toward the windshield to obtain enough working space.



2. Remove the electrical connector from the bulb by pulling the connector straight back.
3. Remove the rubber weather seal by pulling on the tab.
4. Unclip the end of the hold-down wire from its slot. Pivot it out of the way, and remove the bulb.

5. Insert the new bulb into the hole, making sure the tabs are in their slots. Pivot the hold-down wire back in place, and clip the end into the slot.
6. Install the rubber seal and make sure it is right side up; it is marked "TOP."
7. Push the electrical connector onto the tabs of the new bulb. Make sure it locks in place. Turn on the headlights to test the new bulb.

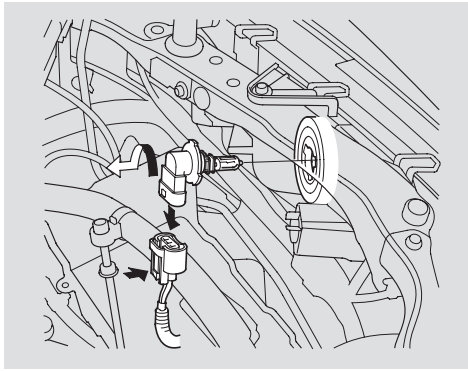
8. *Driver's Side*

Install the neck of the windshield washer reservoir on the bracket.

Pull the battery back to its original position, then install the bolt in the hold-down, and tighten it securely.

Lights

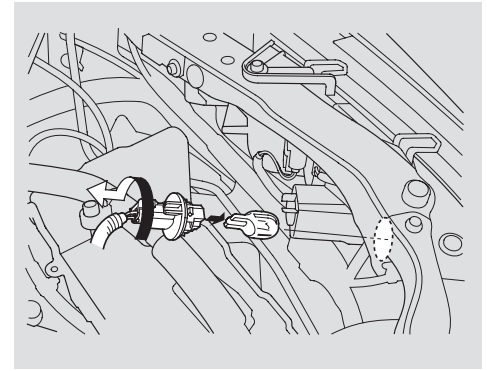
Replacing a High Beam Headlight Bulb



1. To change a high beam headlight bulb, remove the electrical connector from the bulb by pushing on the tab and pulling the connector down.
2. Remove the bulb by turning it one-quarter turn counterclockwise.

3. Insert the new bulb into the hole and turn it one-quarter turn clockwise to lock it in place.
4. Push the electrical connector back onto the bulb. Make sure it is on all the way.
5. Turn on the headlights to test the new bulb.

Replacing a Front Turn Signal Bulb



1. Remove the socket from the headlight assembly by turning it one-quarter turn counterclockwise.
2. Pull the bulb straight out of its socket. Push the new bulb straight into the socket until it bottoms.