

2005 Accord Hybrid Online Reference Owner's Manual

Use these links (and links throughout this manual) to navigate through this reference.
For a printed owner's manual, click on authorized manuals or go to www.helminc.com.

Contents

Owner's Identification Form

Introduction	i
A Few Words About Safety	ii
Your Vehicle at a Glance	4
Main Controls	
Driver and Passenger Safety	7
Seat belts, SRS, and child protection.	
Instruments and Controls	51
Indicators, gauges, dashboard, and steering column.	
Features	99
Climate, audio, steering wheel, security, cruise control, and HomeLink.	
Before Driving	151
Fuel, vehicle break-in, and cargo loading.	
Driving	165
Engine and transmission operation.	
Maintenance	189
Schedules, fluid checking, minor services, and vehicle storage.	
Taking Care of the Unexpected	229
Flat tire, dead battery, overheating, fuses.	
Technical Information	257
Vehicle specifications, tires, fuels, and emissions controls.	
Warranty and Customer Relations (U.S. and Canada)	271
Warranty and contact information.	
Authorized Manuals (U.S. only)	275
How to order.	
Index	I
Service Information Summary	
Fluid capacities and tire pressures.	

Owner's Identification

OWNER _____

ADDRESS _____
STREET

CITY STATE/PROVINCE ZIP CODE/
POSTAL CODE

V. I. N. _____

DELIVERY DATE _____
(Date sold to original retail purchaser)

DEALER NAME _____ DEALER NO. _____

ADDRESS _____
STREET

CITY STATE/PROVINCE ZIP CODE/
POSTAL CODE

OWNER'S SIGNATURE _____

DEALER'S SIGNATURE _____

This Owner's Manual should be considered a permanent part of the vehicle and should remain with the vehicle when it is sold.

This Owner's Manual covers all models of the Accord Hybrid. You may find descriptions of equipment and features that are not on your particular model.

The information and specifications included in this publication were in effect at the time of approval for printing. Honda Motor Co., Ltd. reserves the right, however, to discontinue or change specifications or design at any time without notice and without incurring any obligation whatsoever.

**POUR CLIENTS CANADIEN
AVIS IMPORTANT: Si vous avez
besoin d'un Manuel du Conducteur en
français, veuillez demander à votre
concessionnaire de commander le
numéro de pièce 33SDRC00 .**

Congratulations! Your selection of a 2005 Honda Accord Hybrid was a wise investment. It will give you years of driving pleasure.

One of the best ways to enhance the enjoyment of your new vehicle is to read this manual. In it, you will learn how to operate its driving controls and convenience items. Afterwards, keep this owner's manual in your vehicle so you can refer to it at any time.

Several warranties protect your new vehicle. Read the warranty booklet thoroughly so you understand the coverages and are aware of your rights and responsibilities.

Maintaining your vehicle according to the schedules given in this manual helps to keep your driving trouble-free while it preserves your investment. When your vehicle needs maintenance, keep in mind that your dealer's staff is specially trained in servicing the many systems unique to your vehicle. Your dealer is dedicated to your satisfaction and will be pleased to answer any questions and concerns.

As you read this manual, you will find information that is preceded by a **NOTICE** symbol. This information is intended to help you avoid damage to your vehicle, other property, or the environment.

California Proposition 65 Warning

WARNING: This product contains or emits chemicals known to the State of California to cause cancer and birth defects or other reproductive harm.

Event Data Recorders

This vehicle is equipped with one or more recording devices commonly referred to as event data recorders or sensing and diagnostic modules.


A Few Words About Safety

Your safety, and the safety of others, is very important. And operating this vehicle safely is an important responsibility.

To help you make informed decisions about safety, we have provided operating procedures and other information on labels and in this manual. This information alerts you to potential hazards that could hurt you or others.

Of course, it is not practical or possible to warn you about all the hazards associated with operating or maintaining your vehicle. You must use your own good judgement.

You will find this important safety information in a variety of forms, including:

- **Safety Labels** – on the vehicle.
- **Safety Messages** – preceded by a safety alert symbol  and one of three signal words: **DANGER**, **WARNING**, or **CAUTION**. These signal words mean:

 **DANGER**

You **WILL** be **KILLED** or **SERIOUSLY HURT** if you don't follow instructions.

 **WARNING**

You **CAN** be **KILLED** or **SERIOUSLY HURT** if you don't follow instructions.

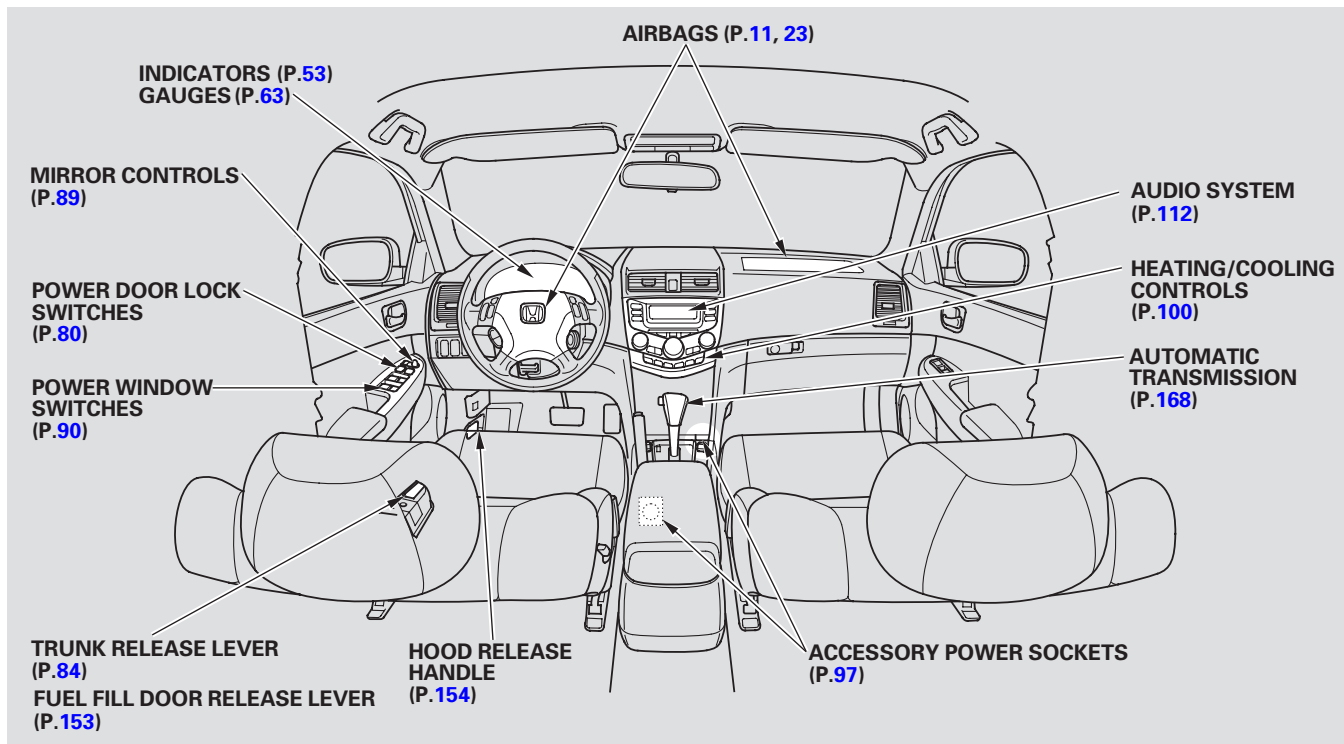
 **CAUTION**

You **CAN** be **HURT** if you don't follow instructions.

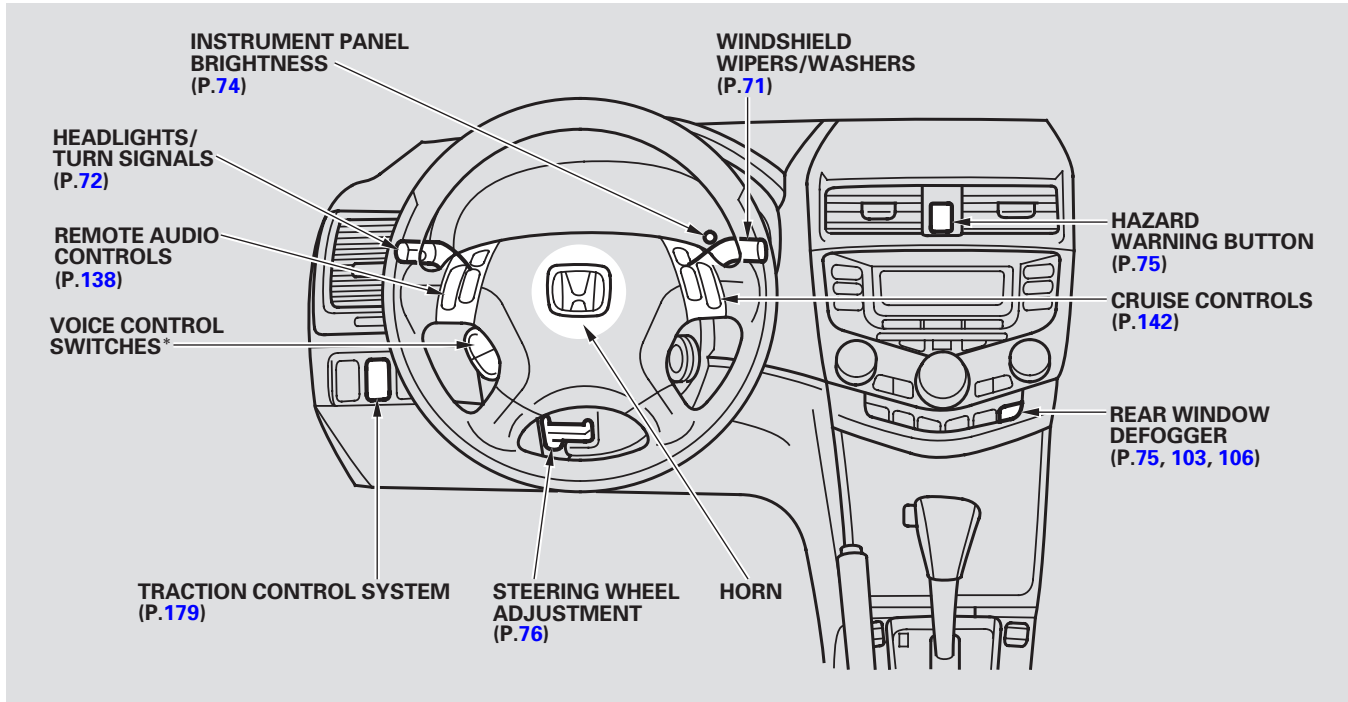
- **Safety Headings** – such as Important Safety Reminders or Important Safety Precautions.
- **Safety Section** – such as Driver and Passenger Safety.
- **Instructions** – how to use this vehicle correctly and safely.

This entire book is filled with important safety information – please read it carefully.

Your Vehicle at a Glance



Your Vehicle at a Glance



* : Only on vehicles equipped with navigation system. Refer to the navigation system manual.

This section gives you important information about how to protect yourself and your passengers. It shows you how to use seat belts. It explains how your airbags work. And it tells you how to properly restrain infants and children in your vehicle.

Important Safety Precautions	8
Your Vehicle's Safety Features.....	9
Seat Belts	10
Airbags	11
Protecting Adults and Teens.....	13
1. Close and Lock the Doors	13
2. Adjust the Front Seats	13
3. Adjust the Seat-Backs	14
4. Adjust the Head Restraints ...	15
5. Fasten and Position the Seat Belts	16
6. Maintain a Proper Sitting Position	17

Advice for Pregnant Women.....	18
Additional Safety Precautions....	19
Additional Information About Your	
Seat Belts	20
Seat Belt System Components...	20
Lap/Shoulder Belt	20
Automatic Seat Belt Tensioners.....	21
Seat Belt Maintenance	21
Additional Information About Your	
Airbags.....	23
Airbag System Components.....	23
How Your Front Airbags Work.....	24
How Your Side Airbags Work... ..	26
How Your Side Curtain Airbags Work.....	27
How the SRS Indicator Works ...	28
How the Side Airbag Off Indicator Works	28
Airbag Service	29
Additional Safety Precautions....	30
Protecting Children – General Guidelines.....	31
All Children Must Be Restrained	31
All Children Should Sit in a Back Seat	32

The Passenger's Front Airbag Can Pose Serious Risks	32
Infants	32
Small Children.....	32
Larger Children	32
If You Must Drive with Several Children	34
If a Child Requires Close Attention	34
Additional Safety Precautions....	35
Protecting Infants and Small Children.....	36
Protecting Infants.....	36
Protecting Small Children	37
Selecting a Child Seat.....	38
Installing a Child Seat	39
Installing a Child Seat with LATCH.....	40
Protecting Larger Children	45
Additional Safety Precautions....	48
Carbon Monoxide Hazard	49
Safety Labels	50

Important Safety Precautions

You'll find many safety recommendations throughout this section, and throughout this manual. The recommendations on this page are the ones we consider to be the most important.

Always Wear Your Seat Belt

A seat belt is your best protection in all types of collisions. Airbags are designed to supplement seat belts, not replace them. So even though your vehicle is equipped with airbags, make sure you and your passengers always wear your seat belts, and wear them properly (see page [16](#)).

Restrain All Children

Children age 12 and under should ride properly restrained in a back seat. Infants and small children should be restrained in a child seat. Larger children should use a booster and a lap/shoulder belt until they can use the belt properly without a booster (see pages [34](#) – [48](#)).

Be Aware of Airbag Hazards

While airbags can save lives, they can cause serious or fatal injuries to occupants who sit too close to them, or are not properly restrained. Infants, young children, and short adults are at the greatest risk. Be sure to follow all instructions and warnings in this manual.

Don't Drink and Drive

Alcohol and driving don't mix. Even one drink can reduce your ability to respond to changing conditions, and your reaction time gets worse with every additional drink. So don't drink and drive, and don't let your friends drink and drive, either.

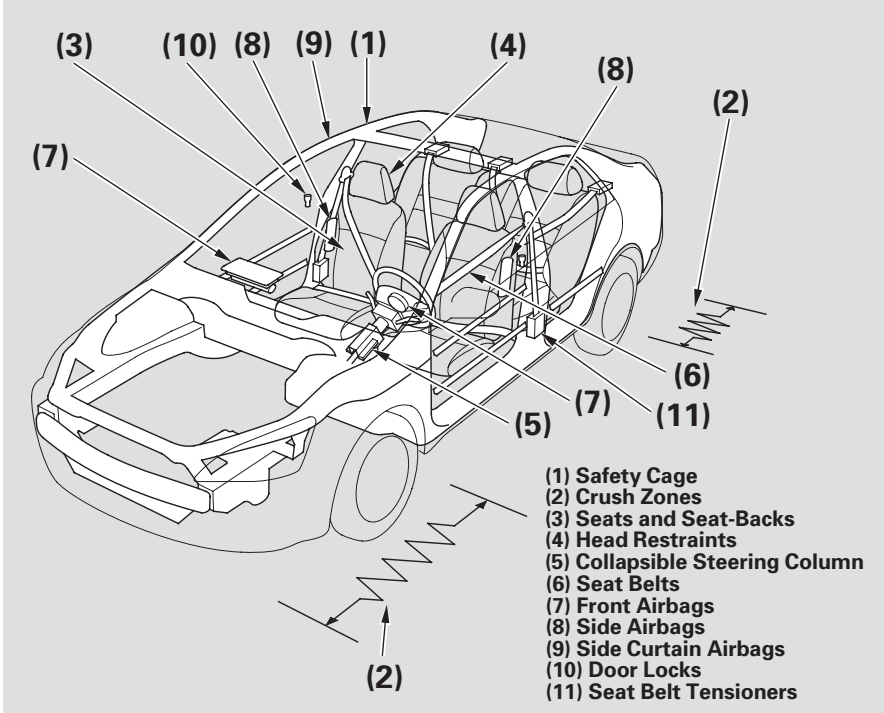
Control Your Speed

Excessive speed is a major factor in crash injuries and deaths. Generally, the higher the speed, the greater the risk, but serious injuries can also occur at lower speeds. Never drive faster than is safe for current conditions, regardless of the maximum speed posted.

Keep Your Vehicle in Safe Condition

Having a tire blowout or a mechanical failure can be extremely hazardous. To reduce the possibility of such problems, check your tire pressures and condition frequently, and perform all regularly scheduled maintenance (see page [191](#)).

Your Vehicle's Safety Features



Your vehicle is equipped with many features that work together to protect you and your passengers during a crash.

Some features do not require any action on your part. These include a strong steel framework that forms a safety cage around the passenger compartment; front and rear crush zones; a collapsible steering column; and tensioners that tighten the front seat belts in a crash.

However, you and your passengers can't take full advantage of these features unless you remain sitting in a proper position and ***always wear your seat belts.*** In fact, some safety features can contribute to injuries if they are not used properly.

The following pages explain how you can take an active role in protecting yourself and your passengers.

Your Vehicle's Safety Features

Seat Belts

Your vehicle is equipped with seat belts in all seating positions.



Your seat belt system also includes a light on the instrument panel to remind you and your passengers to fasten your seat belts.

Why Wear Seat Belts

Seat belts are the single most effective safety device for adults and larger children. (Infants and smaller children must be properly restrained in child seats.)

Not wearing a seat belt properly increases the chance of serious injury or death in a crash, even though your vehicle has airbags.

In addition, most states and all Canadian provinces require you to wear seat belts.

⚠ WARNING

Not wearing a seat belt properly increases the chance of serious injury or death in a crash, even though your vehicle has airbags.

Be sure you and your passengers always wear seat belts and wear them properly.

When properly worn, seat belts:

- Keep you connected to the vehicle so you can take advantage of the vehicle's built-in safety features.
- Help protect you in almost every type of crash, including frontal, side, and rear impacts and rollovers.

- Help keep you from being thrown against the inside of the vehicle and against other occupants.
- Keep you from being thrown out of the vehicle.
- Help keep you in a good position should the airbags ever deploy. A good position reduces the risk of injury from an inflating airbag and allows you to get the best advantage from the airbag.

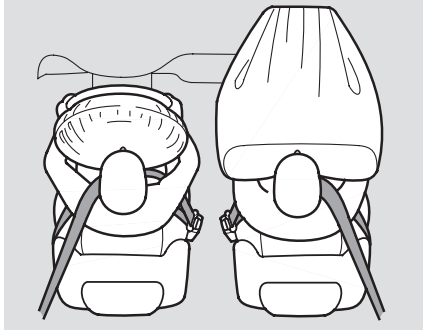
Of course, seat belts cannot completely protect you in every crash. But in most cases, seat belts can reduce your risk of serious injury.

What You Should Do:

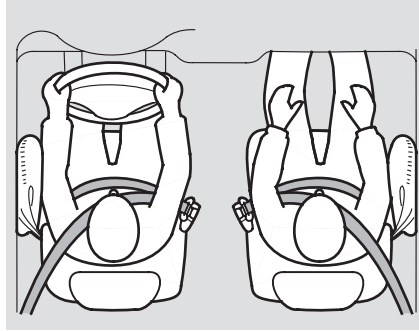
Always wear your seat belt, and make sure you wear it properly.

Your Vehicle's Safety Features

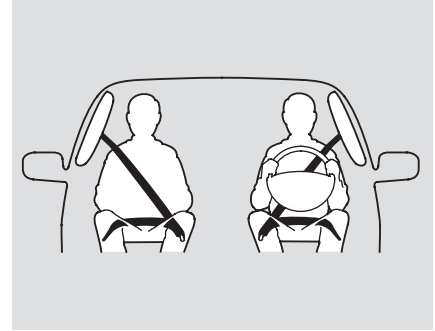
Airbags



Your vehicle has a supplemental restraint system (SRS) with front airbags to help protect the heads and chests of the driver and a front seat passenger during a moderate to severe frontal collision (see page [24](#) for more information on how your front airbags work).



Your vehicle has side airbags to help protect the upper torso of the driver or a front seat passenger during a moderate to severe side impact (see page [26](#) for more information on how your side airbags work).



Your vehicle also has side curtain airbags to help protect the heads of the driver, front passenger, and passengers in the outer rear seating positions during a moderate to severe side impact (see page [27](#) for more information on how your side curtain airbags work).

CONTINUED

Your Vehicle's Safety Features

The most important things you need to know about your airbags are:

- ***Airbags do not replace seat belts.*** They are designed to supplement the seat belts.
- ***Airbags offer no protection in rear impacts, or minor frontal or side collisions.***
- ***Airbags can pose hazards.*** To do their job, airbags must inflate with tremendous force. So while airbags help save lives, they can cause minor injuries or more serious or even fatal injuries if occupants are not properly restrained or sitting properly.

What you should do: Always wear your seat belt properly, and sit upright and as far back from the steering wheel as possible while allowing full control of the vehicle. A front passenger should move their seat as far back from the dashboard as possible.

The rest of this section gives more detailed information about how you can maximize your safety.

Remember, however, that no safety system can prevent all injuries or deaths that can occur in a severe crash, even when seat belts are properly worn and the airbags deploy.

Introduction

The following pages provide instructions on how to properly protect the driver, adult passengers, and teenage children who are large enough and mature enough to drive or ride in the front.

See pages [34](#) – [48](#) for important guidelines on how to properly protect infants, small children, and larger children who ride in your vehicle.

1. Close and Lock the Doors

After everyone has entered the vehicle, be sure the doors are closed and locked.



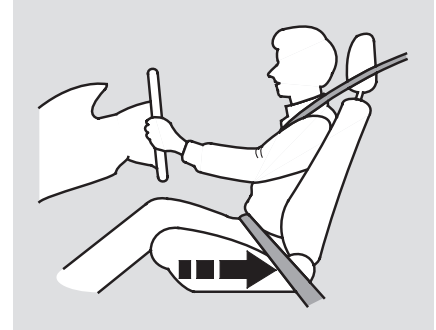
Your vehicle has a door monitor indicator on the instrument panel to indicate when a specific door or the trunk is not tightly closed.

Locking the doors reduces the chance of someone being thrown out of the vehicle during a crash, and it helps prevent passengers from accidentally opening a door and falling out.

Locking the doors also helps prevent an outsider from unexpectedly opening a door when you come to a stop.

See page [80](#) for how to lock the doors, and page [56](#) for how the door monitor indicator works.

2. Adjust the Front Seats



Adjust the driver's seat as far to the rear as possible while allowing you to maintain full control of the vehicle. Have a front passenger adjust their seat as far to the rear as possible.

CONTINUED

Protecting Adults and Teens

If you sit too close to the steering wheel or dashboard, you can be seriously injured by an inflating front airbag, or by striking the steering wheel or dashboard.

The National Highway Traffic Safety Administration and Transport Canada recommend that drivers allow at least 10 inches (25 cm) between the center of the steering wheel and the chest. In addition to adjusting the seat, you can adjust the steering wheel in and out (see page 76).

If you cannot get far enough away from the steering wheel and still reach the controls, we recommend that you investigate whether some type of adaptive equipment may help.

⚠ WARNING

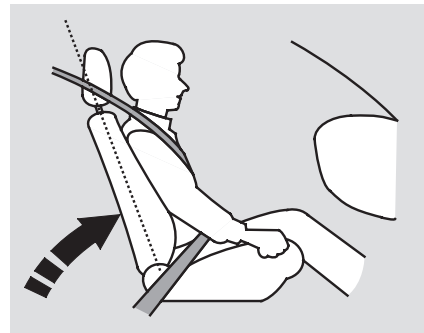
Sitting too close to a front airbag can result in serious injury or death if the front airbags inflate.

Always sit as far back from the front airbags as possible.

Once your seat is adjusted correctly, rock it back and forth to make sure the seat is locked in position.

See page 86 for how to adjust the front seats.

3. Adjust the Seat-Backs



Adjust the driver's seat-back to a comfortable, upright position, leaving ample space between your chest and the airbag cover in the center of the steering wheel.

Passengers with adjustable seat-backs should also adjust their seat-back to a comfortable, upright position.

⚠ WARNING

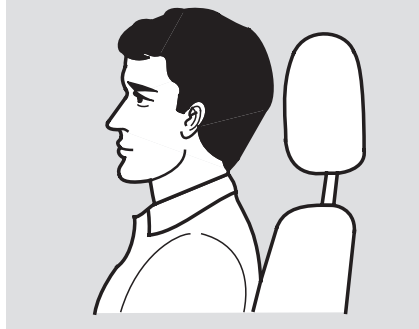
Reclining the seat-back too far can result in serious injury or death in a crash.

Adjust the seat-back to an upright position, and sit well back in the seat.

Reclining a seat-back so that the shoulder part of the belt no longer rests against the occupant's chest reduces the protective capability of the belt. It also increases the chance of sliding under the belt in a crash and being seriously injured. The farther a seat-back is reclined, the greater the risk of injury.

See page [86](#) for how to adjust the seat-backs.

4. Adjust the Head Restraints



Adjust the driver's head restraint so the back of your head rests against the center of the restraint.

Have passengers with adjustable head restraints adjust their restraints properly as well. Taller persons should adjust their restraint as high as possible.

⚠ WARNING

Improperly positioning head restraints reduces their effectiveness and you can be seriously injured in a crash.

Make sure head restraints are in place and positioned properly before driving.

Properly adjusted head restraints will help protect occupants from whiplash and other crash injuries.

See page [88](#) for how to adjust the head restraints.

Protecting Adults and Teens

5. Fasten and Position the Seat Belts

Insert the latch plate into the buckle, then tug on the belt to make sure the belt is securely latched. Check that the belt is not twisted, because a twisted belt can cause serious injuries in a crash.



Position the lap part of the belt as low as possible across your hips, then pull up on the shoulder part of the belt so the lap part fits snugly. This lets your strong pelvic bones take the force of a crash and reduces the chance of internal injuries.

If necessary, pull up on the belt again to remove any slack, then check that the belt rests across the center of your chest and over your shoulder.

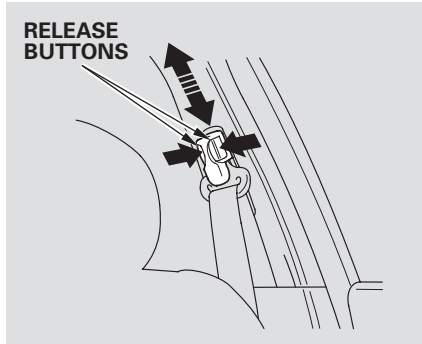
This spreads the forces of a crash over the strongest bones in your upper body.

WARNING

Improperly positioning the seat belts can cause serious injury or death in a crash.

Make sure all seat belts are properly positioned before driving.

If the seat belt touches or crosses your neck, or if it crosses your arm instead of your shoulder, you need to adjust the seat belt anchor height.



The front seats have adjustable seat belt anchors. To adjust the height of an anchor, press and hold the release buttons and slide the anchor up or down as needed (it has four positions).

Never place the shoulder portion of a lap/shoulder belt under your arm or behind your back. This could cause very serious injuries in a crash.

If a seat belt does not seem to work properly, it may not protect the occupant in a crash.

No one should sit in a seat with an inoperative seat belt. Using a seat belt that is not working properly can result in serious injury or death. Have your dealer check the belt as soon as possible.

See page 20 for additional information about your seat belts and how to take care of them.

6. Maintain a Proper Sitting Position

After all occupants have adjusted their seats and put on seat belts, it is very important that they continue to sit upright, well back in their seats, with their feet on the floor, until the vehicle is parked and the engine is off.

Sitting improperly can increase the chance of injury during a crash. For example, if an occupant slouches, lies down, turns sideways, sits forward, leans forward or sideways, or puts one or both feet up, the chance of injury during a crash is greatly increased.

CONTINUED

Protecting Adults and Teens

In addition, an occupant who is out of position in the front seat can be seriously or fatally injured in a crash by striking interior parts of the vehicle or being struck by an inflating front airbag.

⚠ WARNING

Sitting improperly or out of position can result in serious injury or death in a crash.

Always sit upright, well back in the seat, with your feet on the floor.

Advice for Pregnant Women



If you are pregnant, the best way to protect yourself and your unborn child when driving or riding in a vehicle is to always wear a seat belt, and keep the lap part of the belt as low as possible across the hips.

When driving, remember to sit upright and adjust the seat as far back as possible while allowing full control of the vehicle. When riding as a front passenger, adjust the seat as far back as possible.

This will reduce the risk of injuries to both you and your unborn child that can be caused by a crash or an inflating front airbag.

Each time you have a checkup, ask your doctor if it's okay for you to drive.

Additional Safety Precautions

- **Two people should never use the same seat belt.** If they do, they could be very seriously injured in a crash.
- **Do not put any accessories on seat belts.** Devices intended to improve occupant comfort or reposition the shoulder part of a seat belt can reduce the protective capability of the belt and increase the chance of serious injury in a crash.
- **Do not place hard or sharp objects between yourself and a front airbag.** Carrying hard or sharp objects on your lap, or driving with a pipe or other sharp object in your mouth, can result in injuries if your front airbag inflates.
- **Keep your hands and arms away from the airbag covers.** If your hands or arms are close to an airbag cover, they could be injured if the airbag inflates.
- **Do not attach or place objects on the front airbag covers.** Objects on the covers marked “SRS AIRBAG” could interfere with the proper operation of the airbags or be propelled inside the vehicle and hurt someone if the airbags inflate.
- **Do not attach hard objects on or near a front door.** If a side airbag or a side curtain airbag inflates, a cup holder or other hard object attached on or near the door could be propelled inside the vehicle and hurt someone.

Additional Information About Your Seat Belts

Seat Belt System Components

Your seat belt system includes lap/shoulder belts in all five seating positions. The front seat belts are also equipped with automatic seat belt tensioners.



The seat belt system includes an indicator on the instrument panel and a beeper to remind you to fasten your seat belt.

If you turn the ignition switch to ON (II) before fastening your belt, the beeper will sound and the indicator will flash.

If you do not fasten your seat belt before the beeper stops, the indicator will stop flashing but remain on.

If you continue driving without fastening your seat belt, the beeper will sound and the indicator will flash again at regular intervals.

Lap/Shoulder Belt

The lap and shoulder belt goes over your shoulder, across your chest, and across your hips.

To fasten the belt, insert the latch plate into the buckle, then tug on the belt to make sure the buckle is latched (see page 16 for how to properly position the belt).

To unlock the belt, push the red PRESS button on the buckle. Guide the belt across your body so that it retracts completely. After exiting the vehicle, be sure the belt is out of the way and will not get closed in the door.

All seat belts have an emergency locking retractor. In normal driving, the retractor lets you move freely in your seat while it keeps some tension on the belt. During a collision or sudden stop, the retractor automatically locks the belt to help

restrain your body.

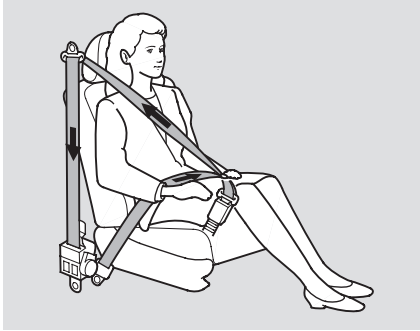
The seat belts in all positions except the driver's have an additional locking mechanism that must be activated to secure a child seat (see page 42).

If the shoulder part of the belt is pulled all the way out, the locking mechanism will activate. The belt will retract, but it will not allow the passenger to move freely.

To deactivate the locking mechanism, unlatch the buckle and let the seat belt fully retract. To refasten the seat belt, pull it out only as far as needed.

Additional Information About Your Seat Belts

Automatic Seat Belt Tensioners



For added protection, the front seat belts are equipped with automatic seat belt tensioners. When activated, the tensioners immediately tighten the belts to help hold the driver and a front passenger in place.

The tensioners are designed to activate primarily in frontal collisions, and they should activate in any collision severe enough to cause front-airbag inflation.

The tensioners can also be activated during a collision in which the front airbags *do not deploy*. In this case, the airbags would not be needed, but the additional restraint could be helpful.

When the tensioners are activated, the seat belts will remain tight until they are unbuckled in the normal manner.

Seat Belt Maintenance

For safety, you should check the condition of your seat belts regularly.

Pull each belt out fully and look for frays, cuts, burns, and wear. Check that the latches work smoothly and the belts retract easily. Any belt that is not in good condition or working properly will not provide good protection and should be replaced as soon as possible.

Honda provides a lifetime warranty on seat belts for U.S. models. See your *Honda Warranty Information* booklet for details.

CONTINUED

Additional Information About Your Seat Belts

If a seat belt is worn during a crash, it must be replaced by the dealer. A belt that has been worn during a crash may not provide the same level of protection in a subsequent crash.

The dealer should also inspect the anchors for damage and replace them if needed. If the automatic seat belt tensioners activate during a crash, they must be replaced.

For information on how to clean your seat belts, see page [216](#).

WARNING

Not checking or maintaining seat belts can result in serious injury or death if the seat belts do not work properly when needed.

Check your seat belts regularly and have any problem corrected as soon as possible.

Additional Information About Your Airbags

Airbag System Components

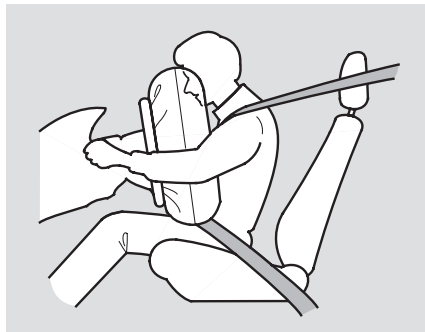
Your airbag system includes:

- Two SRS (Supplemental Restraint System) front airbags. The driver's airbag is stored in the center of the steering wheel; the front passenger's airbag is stored in the dashboard. Both are marked "SRS AIRBAG."
- Two side airbags, one for the driver and one for a front passenger. The airbags are stored in the outer edges of the seat-backs. Both are marked "SIDE AIRBAG" (see page 25).
- Two side curtain airbags, one for each side of the vehicle. The airbags are stored in the ceiling above the side windows. The front and rear pillars are marked "SIDE CURTAIN AIRBAG" (see page 27).
- Automatic seat belt tensioners (see page 21).
- Sensors that can detect a moderate to severe front impact, or side impact in models with side airbags.
- Sensors that can detect whether a child is in the passenger's side airbag path and automatically turn the airbag off (see page 26).
- A sophisticated electronic system that continually monitors and records information about the sensors, the control unit, the airbag activators, the seat belt tensioners, and driver and front passenger seat belt use when the ignition is in ON (II).
- An indicator on the instrument panel that alerts you to a possible problem with your airbags, sensors, or seat belt tensioners (see page 27).

An indicator on the instrument panel that alerts you that the passenger's side airbag has been turned off (see page 28).
- Emergency backup power in case your vehicle's electrical system is disconnected in a crash.

Additional Information About Your Airbags

How Your Front Airbags Work



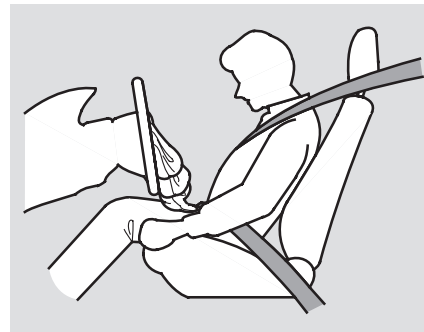
If you ever have a moderate to severe frontal collision, sensors will detect the vehicle's rapid deceleration.

If the rate of deceleration is high enough, the control unit will instantly inflate the driver's and front passenger's airbags, at the time and with the force needed.

During a frontal crash, your seat belt restrains your lower body and torso, and the front airbag helps protect your head and chest.

Although both airbags normally inflate within a split second of each other, it is possible for only one airbag to deploy.

This can happen if the severity of a collision is at the margin, or threshold, that determines whether or not the airbags will deploy. In such cases, the seat belt will provide sufficient protection, and the supplemental protection offered by the airbag would be minimal.



After inflating, the front airbags will immediately deflate, so they won't interfere with the driver's visibility, or the ability to steer or operate other controls.

The total time for inflation and deflation is one-tenth of a second, so fast that most occupants are not aware that the airbags deployed until they see them lying in their laps.

Additional Information About Your Airbags

After a crash, you may see what looks like smoke. This is actually powder from the airbag's surface. Although the powder is not harmful, people with respiratory problems may experience some temporary discomfort. If this occurs, get out of the vehicle as soon as it is safe to do so.

Dual-Stage Airbags

Your front airbags are dual-stage airbags. This means they have two inflation stages that can be ignited sequentially or simultaneously, depending on crash severity.

In a ***more severe*** crash, both stages will ignite simultaneously to provide the quickest and greatest protection.

In a ***less severe*** crash, one stage will ignite first, then the second stage will ignite a split second later. This provides longer airbag inflation time with a little less force.

Dual-Threshold Airbags

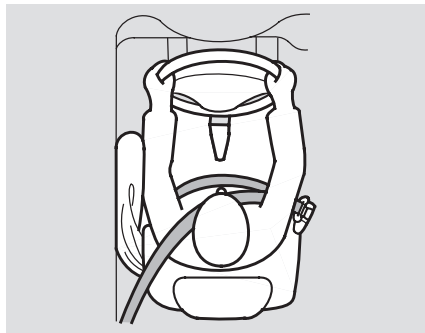
Your front airbags are also dual-threshold airbags. Airbags with this feature have two deployment thresholds that depend on whether or not the occupant is wearing a seat belt.

If the occupant's belt is ***not latched***, the airbag will deploy at a slightly lower threshold, because the occupant would need extra protection.

If the occupant's belt is ***latched***, the airbag will inflate at a slightly higher threshold, when the airbag would be needed to supplement the protection provided by the seat belt.

Additional Information About Your Airbags

How Your Side Airbags Work



If you ever have a moderate to severe side impact, sensors will detect rapid deceleration and signal the control unit to instantly inflate either the driver's or the passenger's side airbag.

Only one airbag will deploy during a side impact. If the impact is on the passenger's side, the passenger's side airbag will deploy even if there is no passenger.

To get the best protection from the side airbags, front seat occupants should wear their seat belts and sit upright and well back in their seats.

Side Airbag Cutoff System

To reduce the risk of injury from an inflating side airbag, your vehicle has an automatic cutoff system for the passenger's side airbag.

Although Honda does not encourage children to ride in front, this system is designed to shut off the side airbag if a child leans sideways and the child's head is in the side airbag deployment path.

The side airbag may also shut off if a short adult leans sideways, or a larger adult slouches and leans sideways into the airbag's deployment path.

Objects placed on the front passenger seat can also cause the side airbag to be shut off.

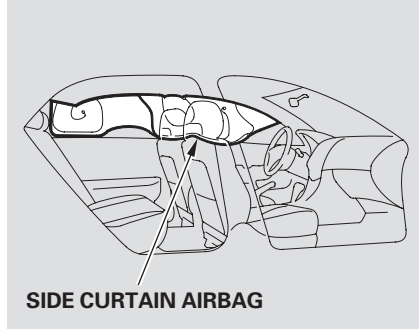
Additional Information About Your Airbags

If the side airbag off indicator comes on (see page 28), have the passenger sit upright. Once the passenger is out of the airbag's deployment path, the system will turn the airbag back on, and the indicator will go out.

There will be some delay between the moment the passenger moves into or out of the airbag deployment path and when the indicator comes on or goes off.

A front seat passenger should not use a cushion or other object as a backrest. It may prevent the cutoff system from working properly.

How Your Side Curtain Airbags Work



In a moderate to severe side impact, sensors will detect rapid deceleration and signal the control unit to instantly inflate the side curtain airbag on the driver's or the passenger's side of the vehicle.

If the impact is on the passenger's side, the passenger's side curtain airbag will inflate even if there are no occupants on that side of the vehicle.

To get the best protection from the side curtain airbags, occupants should wear their seat belts and sit upright and well back in their seats.

Additional Information About Your Airbags

How the SRS Indicator Works



The SRS indicator alerts you to a potential problem with your airbags or seat belt tensioners.

When you turn the ignition switch to ON (II), this indicator will come on briefly then go out. This tells you the system is working properly.

If the indicator comes on at any other time, or does not come on at all, you should have the system checked by your dealer. For example:

- If the SRS indicator does not come on after you turn the ignition switch to ON (II).
- If the indicator stays on after the engine starts.
- If the indicator comes on or flashes on and off while you drive.

If you see any of these indications, the airbags and seat belt tensioners may not work properly when you need them.

WARNING

Ignoring the SRS indicator can result in serious injury or death if the airbag systems or tensioners do not work properly.

Have your vehicle checked by a dealer as soon as possible if the SRS indicator alerts you to a possible problem.

How the Side Airbag Off Indicator Works



U.S.



Canada

This indicator alerts you that the passenger's side airbag has been automatically shut off. It does **not** mean there is a problem with your side airbags.

When you turn the ignition switch to ON (II), the indicator should light briefly and go out (see page 55). If it doesn't light, stays on, or comes on while driving without a passenger in the front seat, have the system checked.

Additional Information About Your Airbags

Airbag Service

Your airbag systems are virtually maintenance free, and there are no parts you can safely service. However, you must have your vehicle serviced if:

- ***An airbag ever inflates.*** Any airbag that has deployed must be replaced along with the control unit and other related parts. If a front airbag inflates, the seat belt tensioners must also be replaced.

Do not try to remove or replace any airbag by yourself. This must be done by your dealer or a knowledgeable body shop.

- ***The SRS indicator alerts you to a problem.*** Take your vehicle to an authorized your dealer as soon as possible. If you ignore this indication, your airbags may not operate properly.
- ***If your vehicle has a moderate to severe impact.*** Even if your airbags do not inflate, your dealer should inspect the driver's seat position sensor and the front passenger's weight sensors to make sure they are operating properly.

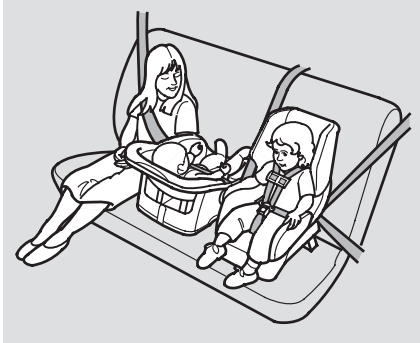
CONTINUED

Additional Information About Your Airbags

Additional Safety Precautions

- ***Do not attempt to deactivate your airbags.*** Together, airbags and seat belts provide the best protection.
- ***Do not tamper with airbag components or wiring for any reason.*** Tampering could cause the airbags to deploy, possibly causing very serious injury.
- ***Do not cover or replace front seat-back covers without consulting your dealer.*** Improperly replacing or covering front seat-back covers can prevent your side airbags from inflating during a side impact.

Protecting Children – General Guidelines



Children depend on adults to protect them. However, despite their best intentions, many adults do not know how to *properly* protect child passengers.

If you have children, or ever need to drive with a child in your vehicle, be sure to read this section. It begins with important general guidelines, then presents special information for infants, small children, and larger children.

All Children Must Be Restrained

Each year, many children are injured or killed in vehicle crashes because they are either unrestrained or not properly restrained. In fact, vehicle accidents are the number one cause of the death of children ages 12 and under.

To reduce the number of child deaths and injuries, every state and Canadian province requires that infants and children be properly restrained when they ride in a vehicle.

Infants and small children must be restrained in an approved child seat that is properly secured to the vehicle (see pages 36 – 44).

⚠ WARNING

Children who are unrestrained or improperly restrained can be seriously injured or killed in a crash.

Any child too small for a seat belt should be properly restrained in a child seat. A larger child should be properly restrained with a seat belt and use a booster seat if necessary.

Larger children must be restrained with a lap/shoulder belt and ride on a booster seat until the seat belt fits them properly (see pages 45 – 48).

Protecting Children – General Guidelines

All Children Should Sit in a Back Seat

According to accident statistics, children of all ages and sizes are safer when they are restrained in a back seat. The National Highway Traffic Safety Administration and Transport Canada recommend that all children age 12 and under be properly restrained in a back seat.

Children who ride in back are less likely to be injured by striking interior vehicle parts during a collision or hard braking. Also, children cannot be injured by an inflating front airbag when they ride in the back.

The Passenger's Front Airbag Poses Serious Risks

Front airbags have been designed to help protect adults in a moderate to severe frontal collision. To do this the passenger's front airbag is quite large, and it can inflate with enough force to cause very serious injuries.

Infants

Never put a rear-facing child seat in the front seat of a vehicle equipped with a passenger's front airbag. If the airbag inflates, it can hit the back of the child seat with enough force to kill or very seriously injure an infant.

Small Children

Placing a forward-facing child seat in the front seat of a vehicle equipped with a passenger's front airbag can be hazardous. If the vehicle seat is too far forward, or the child's head is thrown forward during a collision, an inflating front airbag can strike the child with enough force to kill or very seriously injure a small child.

Larger Children

Children who have outgrown child seats are also at risk of being injured or killed by an inflating passenger's front airbag. Whenever possible, larger children should sit in the back seat, on a booster seat if needed, and be properly restrained with a seat belt (see page 45 for important information about protecting larger children).

Protecting Children – General Guidelines

To remind you of the passenger's front airbag hazards, and that children must be properly restrained in a back seat, your vehicle has warning labels on the dashboard (U.S. model) and on the front visors. Please read and follow the instructions on these labels.

U.S. Model:

SUN VISOR

▲ WARNING	
	DEATH or SERIOUS INJURY can occur <ul style="list-style-type: none">• Children 12 and under can be killed by the air bag• The BACK SEAT is the SAFEST place for children• NEVER put a rear-facing child seat in the front• Sit as far back as possible from the air bag• ALWAYS use SEAT BELTS and CHILD RESTRAINTS

DASHBOARD

▲ WARNING
Children Can Be KILLED or INJURED by Passenger Air Bag
<ul style="list-style-type: none">• The back seat is the safest place for children 12 and under.• Make sure all children use seat belts or child seats.
To be removed by owner only.

Canadian Model:

SUN VISOR

CAUTION TO AVOID SERIOUS INJURY: <ul style="list-style-type: none">• FOR MAXIMUM SAFETY PROTECTION IN ALL TYPES OF CRASHES, YOU MUST ALWAYS WEAR YOUR SAFETY BELT.• DO NOT INSTALL REARWARD-FACING CHILD SEATS IN ANY FRONT PASSENGER SEAT POSITION.• DO NOT SIT OR LEAN UNNECESSARILY CLOSE TO THE AIR BAG.• DO NOT PLACE ANY OBJECTS OVER THE AIR BAG OR BETWEEN THE AIR BAG AND YOURSELF.• SEE THE OWNER'S MANUAL FOR FURTHER INFORMATION AND EXPLANATIONS.	PRÉCAUTION: POUR ÉVITER DES BLESSURES GRAVES: <ul style="list-style-type: none">• POUR PROFITER D'UNE PROTECTION MAXIMALE LORS D'UNE COLLISION BOUCLEZ TOUJOURS VOTRE CEINTURE DE SÉCURITÉ.• N'INSTALLEZ JAMAIS UN SIÈGE POUR ENFANTS FAISANT FACE À L'ARRIÈRE SUR LE SIÈGE DU PASSAGER AVANT.• NE VOUS APPUYEZ PAS ET NE VOUS ASSEYEZ PAS PRES DU COUSSIN GONFLABLE.• NE DEPOSEZ AUCUN OBJET SUR LE COUSSIN GONFLABLE OU ENTRE LE COUSSIN GONFLABLE ET VOUS.• LISEZ LE GUIDE UTILISATEUR POUR DE PLUS AMPLES RENSEIGNEMENTS.
--	---

Protecting Children – General Guidelines

If You Must Drive with Several Children

Your vehicle has a back seat where children can be properly restrained. If you ever have to carry a group of children, and a child must ride in front:

- Place the largest child in the front seat, provided the child is large enough to wear the lap/shoulder belt properly (see page [45](#)).
- Move the vehicle seat as far to the rear as possible (see page [13](#)).
- Have the child sit upright and well back in the seat (see page [16](#)).
- Make sure the seat belt is properly positioned and secured (see page [16](#)).

If a Child Requires Close Attention

Many parents say they prefer to put an infant or small child in the front passenger seat so they can watch the child, or because the child requires attention.

Placing a child in the front seat exposes the child to hazards in a frontal collision, and paying close attention to a child distracts the driver from the important tasks of driving, placing both of you at risk.

If a child requires close physical attention or frequent visual contact, we strongly recommend that another adult ride with the child in a back seat. The back seat is far safer for a child than the front.

Additional Safety Precautions

- **Never hold an infant or child on your lap.** If you are not wearing a seat belt in crash, you could be thrown forward and crush the child against the dashboard or a seat-back. If you are wearing a seat belt, the child can be torn from your arms and be seriously hurt or killed.
- **Never put a seat belt over yourself and a child.** During a crash, the belt could press deep into the child and cause serious or fatal injuries.
- **Never let two children use the same seat belt.** If they do, they could be very seriously injured in a crash.

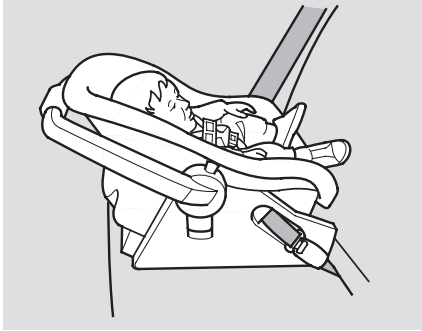
- **Use childproof door locks to prevent children from opening the doors.** This can prevent children from accidentally falling out (see page 81).
- **Do not leave children alone in a vehicle.** Leaving children without adult supervision is illegal in most states and Canadian provinces, and can be very hazardous.

For example, infants and small children left in a vehicle on a hot day can die from heatstroke. A child left alone with the key in the ignition can accidentally set the vehicle in motion, possibly injuring themselves or others.

- **Lock all doors and the trunk when your vehicle is not in use.** Children who play in vehicles can accidentally get trapped inside. Teach your children not to play in or around vehicles. Know how to operate the emergency trunk opener and decide if your children should be shown how to use this feature (see page 85).
- **Keep vehicle keys and remote transmitters out of the reach of children.** Even very young children learn how to unlock vehicle doors, turn on the ignition switch, and open the trunk, which can lead to accidental injury or death.

Protecting Infants and Small Children

Protecting Infants



Child Seat Type

An infant must be properly restrained in a rear-facing, reclining child seat until the child reaches the seat maker's weight or height limit for the seat and the child is at least one year old.

Only a rear-facing child seat provides proper support for a baby's head, neck, and back.

Two types of seats may be used: a seat designed exclusively for infants, or a convertible seat used in the rear-facing, reclining mode.

Do not put a rear-facing child seat in a forward-facing position. If placed facing forward, an infant could be very seriously injured during a frontal collision.

Child Seat Placement

A rear-facing child seat can be placed in any seating position in the back seat, but not in the front. ***Never put a rear-facing child seat in the front seat.***

If the passenger's front airbag inflates, it can hit the back of the child seat with enough force to kill or seriously injure an infant.

When properly installed, a rear-facing child seat may prevent the driver or a front passenger from moving the seat as far back as recommended, or from locking the seat-back in the desired position.

In either situation, we strongly recommend that you install the child seat directly behind the front passenger's seat, move the seat as far forward as needed, and leave it unoccupied. Or, you may wish to get a smaller rear-facing child seat.

⚠ WARNING

Placing a rear-facing child seat in the front seat can result in serious injury or death if the passenger's front airbag inflates.

Always place a rear-facing child seat in the back seat, not the front.

Protecting Small Children



Child Seat Type

A child who is at least one year old, and who fits within the child seat maker's weight and height limits, should be restrained in a forward-facing, upright child seat.

Of the different seats available, we recommend those that have a five-point harness system as shown.

We also recommend that a small

child use the child seat as long as possible, until the child reaches the weight or height limit for the seat.

Child Seat Placement

We strongly recommend placing a forward-facing child seat in a back seat, not the front.

Placing a forward-facing child seat in the front seat of a vehicle equipped with a passenger's airbag can be hazardous. If the vehicle seat is too far forward, or the child's head is thrown forward during a collision, an inflating airbag can strike the child with enough force to cause very serious or fatal injuries.

Protecting Infants and Small Children, Selecting a Child Seat

If it is necessary to put a forward-facing child seat in the front, move the vehicle seat as far to the rear as possible, be sure the child seat is firmly secured to the vehicle, and the child is properly strapped in the seat.

WARNING

Placing a forward-facing child seat in the front seat can result in serious injury or death if the front airbag inflates.

If you must place a forward-facing child seat in front, move the vehicle seat as far back as possible, and properly restrain the child.

Selecting a Child Seat

When buying a child seat, you need to choose either a conventional child seat, or one designed for use with the Lower Anchors and Tethers for Children (LATCH) system.

Conventional child seats must be secured to a vehicle with a seat belt, whereas LATCH-compatible seats are secured by attaching the seat to hardware built into the two outer seating positions in the back seat.

Since LATCH-compatible child seats are easier to install and reduce the possibility of improper installation, we recommend selecting this style.

We also recommend selecting a LATCH-compatible seat with a rigid, rather than a flexible, anchor (see page 40).

In seating positions and vehicles not equipped with LATCH, a LATCH-compatible child seat can be installed using a seat belt.

Whatever type of seat you choose, to provide proper protection, a child seat should meet three requirements:

1. ***The child seat should meet U.S. or Canadian Motor Vehicle Safety Standard 213.*** Look for FMVSS 213 or CMVSS 213 on the box.
2. ***The child seat should be of the proper type and size to fit the child.*** Rear-facing for infants, forward-facing for small children.

Selecting a Child Seat, Installing a Child Seat

3. *The child seat should fit the vehicle seating position (or positions) where it will be used.*

Before purchasing a conventional child seat, or using a previously purchased one, we recommend that you test the seat in the specific vehicle seating position, or positions, where the seat will be used.

Installing a Child Seat

After selecting a proper child seat, and a good place to install the seat, there are three main steps in installing the seat:

1. ***Properly secure the child seat to the vehicle.*** All child seats must be secured to the vehicle with the lap part of a lap/shoulder belt or with the LATCH (Lower Anchors and Tethers for Children) system. A child whose seat is not properly secured to the vehicle can be endangered in a crash.
2. ***Make sure the child seat is firmly secured.*** After installing a child seat, push and pull the seat forward and from side to side to verify that it is secure.

A child seat secured with a seat belt should be installed as firmly as possible. However, it does not need to be “rock solid.” Some side-to-side

movement can be expected and should not reduce the child seat’s effectiveness.

If the child seat is not secure, try installing it in a different seating position, or use a different style of child seat that can be firmly secured.

3. ***Secure the child in the child seat.*** Make sure the child is properly strapped in the child seat according to the child seat maker’s instructions. A child who is not properly secured in a child seat can be seriously injured in a crash.

The following pages provide guidelines on how to properly install a child seat. A forward-facing child seat is used in all examples, but the instructions are the same for rear-facing child seats.

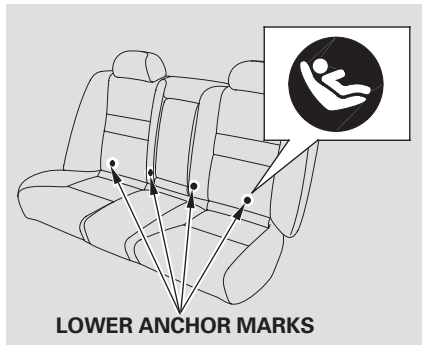
Installing a Child Seat

Installing a Child Seat with LATCH

Your vehicle is equipped with LATCH (Lower Anchors and Tethers for Children) at the outer rear seats.

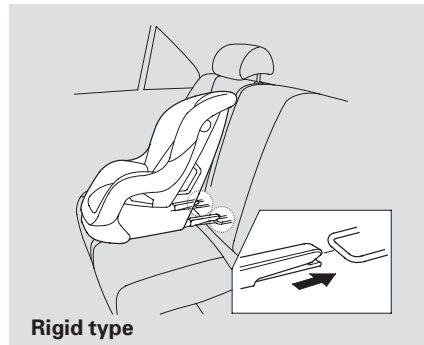
The lower anchors are located between the seat-back and seat bottom, and are to be used only with a child seat designed for use with LATCH.

The location of each lower anchor is indicated by a small button above the anchor point.



To install a LATCH-compatible child seat:

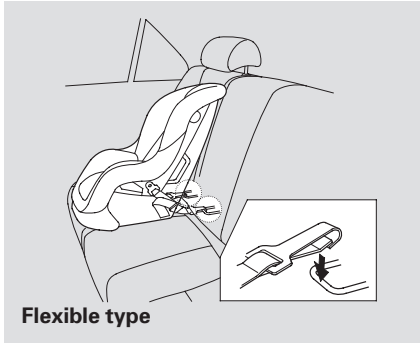
1. Move the seat belt buckle or tongue away from the lower anchors.
2. Make sure there are no objects near the anchors that could prevent a secure connection between the child seat and the anchors.



3. Place the child seat on the vehicle seat, then attach the seat to the lower anchors according to the child seat maker's instructions.

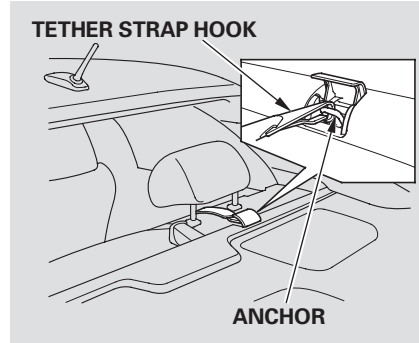
Some LATCH-compatible seats have a rigid-type connection as shown above.

Installing a Child Seat



Other LATCH-compatible seats have a flexible-type connection as shown above.

4. Whatever type you have, follow the child seat maker's instructions for adjusting or tightening the fit.



5. Lift the head restraint (see page 88), then route the tether strap through the legs of the head restraint, over the seat-back, making sure the strap is not twisted.
6. Attach the tether strap hook to the tether anchor, then tighten the strap as instructed by the child seat maker.

7. Push and pull the child seat forward and from side to side to verify that it is secure.

Installing a Child Seat

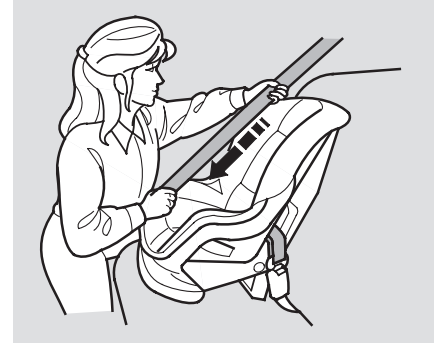
Installing a Child Seat with a Lap/Shoulder Belt

When not using the LATCH system, all child seats must be secured to the vehicle with the lap part of a lap/shoulder belt.

In addition, the lap/shoulder belts in all seating positions except the driver's have a locking mechanism that must be activated to secure a child seat.



1. With the child seat in the desired seating position, route the belt through the child seat according to the seat maker's instructions, then insert the latch plate into the buckle.



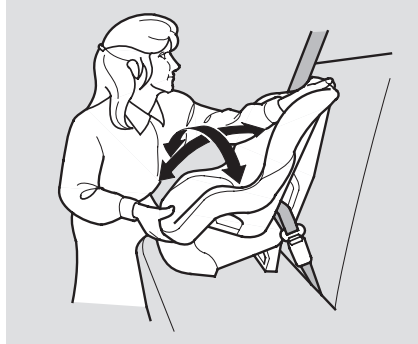
2. To activate the lockable retractor, slowly pull the shoulder part of the belt all the way out until it stops, then let the belt feed back into the retractor.
3. After the belt has retracted, tug on it. If the belt is locked, you will not be able to pull it out. If you can pull the belt out, it is not locked, and you will need to repeat these steps.

Installing a Child Seat



4. After confirming that the belt is locked, grab the shoulder part of the belt near the buckle and pull up to remove any slack from the lap part of the belt. Remember, if the lap part of the belt is not tight, the child seat will not be secure.

To remove slack, it may help to put weight on the child seat, or push on the back of the seat while pulling up on the belt.

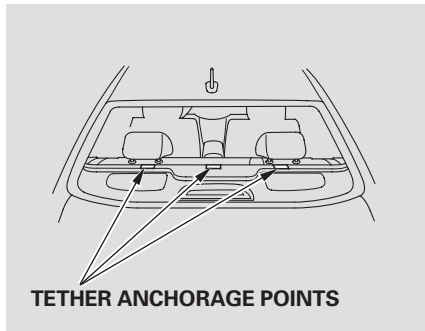


5. Push and pull the child seat forward and from side to side to verify that it is secure enough to stay upright during normal driving maneuvers. If the child seat is not secure, unlatch the belt, allow it to retract fully, then repeat these steps.

To deactivate the locking mechanism and remove a child seat, unlatch the buckle, unrout the seat belt, and let the belt fully retract.

Installing a Child Seat

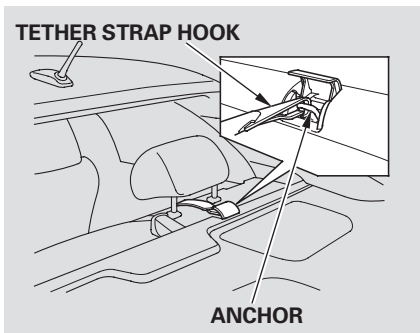
Installing a Child Seat with a Tether



A child seat with a tether can be installed in any seating position in the back seat, using one of the anchorage points shown above.

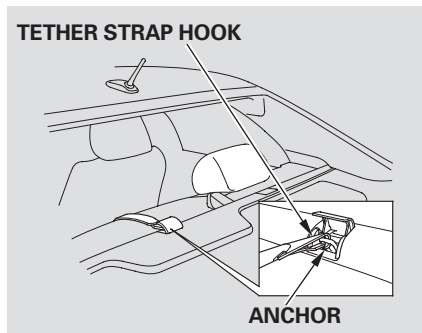
Since a tether can provide additional security to the lap/shoulder belt installation, we recommend using a tether whenever one is required or available.

Using an Outer Anchor



1. After properly securing the child seat (see page 40), lift the head restraint, then route the tether strap over the seat-back and through the head restraint legs.
2. Lift the anchor cover, then attach the tether strap hook to the anchor, making sure the strap is not twisted.
3. Tighten the strap according to the seat maker's instructions.

Using the Center Anchor



1. After properly securing the child seat (see page 42), route the tether strap over the seat-back.
2. Follow steps 2 and 3 from the previous column.

When a child reaches the recommended weight or height limit for a forward-facing child seat, the child should sit in a back seat on a booster seat and wear a lap/shoulder belt.

The following pages give instructions on how to check proper seat belt fit, what kind of booster seat to use if one is needed, and important precautions for a child who must sit in front.

⚠ WARNING

Allowing a child age 12 or under to sit in front can result in injury or death if the passenger's front airbag inflates.

If a larger child must ride in front, move the vehicle seat as far back as possible, use a booster seat if needed, have the child sit up properly and wear the seat belt properly.

Checking Seat Belt Fit



To determine if a lap/shoulder belt properly fits a child, have the child put on the seat belt, then ask yourself:

1. Does the child sit all the way back against the seat?
2. Do the child's knees bend comfortably over the edge of the seat?

Protecting Larger Children

3. Does the shoulder belt cross between the child's neck and arm?
4. Is the lap part of the belt as low as possible, touching the child's thighs?
5. Will the child be able to stay seated like this for the whole trip?

If you answer yes to all these questions, the child is ready to wear the lap/shoulder belt correctly. If you answer no to any question, the child needs to ride on a booster seat.

Using a Booster Seat



A child who has outgrown a forward-facing child seat should ride in a back seat and use a booster seat until the lap/shoulder belt fits them properly without the booster.

Some states also require children to use a booster seat until they reach a given age or weight (e.g., 6 years or 60 lbs). Be sure to check current laws in the state or states where you intend to drive.

Booster seats can be high-back or low-back. Whichever style you select, make sure the booster meets federal safety standards (see page 38) and that you follow the booster seat maker's instructions.

If a child who uses a booster seat must ride in front, move the vehicle seat as far to the rear as possible, and be sure the child is wearing the seat belt properly.

A child may continue using a booster seat until the tops of the ears are even with the top of the seat-back. A child of this height should be tall enough to use the lap/shoulder belt without a booster.

When Can a Larger Child Sit in Front

The National Highway Traffic Safety Administration and Transport Canada recommend that all children age 12 and under be properly restrained in a back seat.

If the passenger's front airbag inflates in a moderate to severe frontal collision, the airbag can cause serious injuries to a child who is unrestrained, improperly restrained, sitting too close to the airbag, or out of position.

A side airbag also poses risks. If any part of a larger child's body is in the path of a deploying side airbag, the child could receive possibly serious injuries.

Of course, children vary widely. And while age may be one indicator of when a child can safely ride in front, there are other important factors you should consider.

Physical Size

Physically, a child must be large enough for the lap/shoulder belt to properly fit (see page 45). If the seat belt does not fit properly, with or without the child sitting on a booster seat, the child should not sit in front.

Maturity

To safely ride in front, a child must be able to follow the rules, including sitting properly, and wearing the seat belt properly throughout a ride.

If you decide that a child can safely ride up front, be sure to:

- Carefully read the owner's manual, and make sure you understand all seat belt instructions and all safety information.
- Move the vehicle seat to the rear-most position.
- Have the child sit up straight, back against the seat, and feet on or near the floor.
- Check that the child's seat belt is properly and securely positioned.
- Supervise the child. Even mature children sometimes need to be reminded to fasten the seat belts or sit properly.

Protecting Larger Children

Additional Safety Precautions

- ***Do not let a child wear a seat belt across the neck.*** This could result in serious neck injuries during a crash.
 - ***Do not let a child put the shoulder part of a seat belt behind the back or under the arm.*** This could cause very serious injuries during a crash. It also increases the chance that the child will slide under the belt in a crash and be injured.
 - ***Two children should never use the same seat belt.*** If they do, they could be very seriously injured in a crash.
- ***Do not put any accessories on a seat belt.*** Devices intended to improve a child's comfort or reposition the shoulder part of a seat belt can make the belt less effective and increase the chance of serious injury in a crash.

Your vehicle's exhaust contains carbon monoxide gas. You should have no problem with carbon monoxide entering the vehicle in normal driving if you maintain your vehicle properly.

Have the exhaust system inspected for leaks whenever:

- The vehicle is raised for an oil change.
- You notice a change in the sound of the exhaust.
- The vehicle was in an accident that may have damaged the underside.

WARNING


Carbon monoxide gas is toxic. Breathing it can cause unconsciousness and even kill you.

Avoid any enclosed areas or activities that expose you to carbon monoxide.

High levels of carbon monoxide can collect rapidly in enclosed areas, such as a garage. Do not run the engine with the garage door closed. Even with the door open, run the engine only long enough to move the vehicle out of the garage.

With the trunk open, airflow can pull exhaust gas into your vehicle's interior and create a hazardous condition. If you must drive with the trunk open, open all the windows and set the climate control system as shown below.

If you must sit in your parked vehicle with the engine running, even in an unconfined area, adjust the climate control system as follows:

1. Select the fresh air mode.
2. Select the  mode.
3. Turn the fan on high speed.
4. Set the temperature control to a comfortable setting.

Safety Labels

These labels are in the locations shown. They warn you of potential hazards that could cause serious injury. Read these labels carefully. If a label comes off or becomes hard to read, contact your dealer for a replacement.

HOOD

U.S. model

SUPPLEMENTAL RESTRAINT SYSTEM (SRS)
 This vehicle is equipped with front air bags, side air bags (on the front seats), and optional side air bags in the second row. All air bags are designed to help reduce the risk of serious injury or death in the event of a crash. Air bags are designed to work in conjunction with your seat belt. Do not drink alcohol or use drugs before driving. Do not use alcohol or drugs while driving. Do not use alcohol or drugs while driving. Do not use alcohol or drugs while driving. Do not use alcohol or drugs while driving.

▲ WARNING
 Accidental deployment can seriously hurt or kill you. See Owner's Manual for instructions and details.

Canadian models

SUPPLEMENTAL RESTRAINT SYSTEM (SRS)
 This vehicle is equipped with front air bags, side air bags (on the front seats), and optional side air bags in the second row. All air bags are designed to help reduce the risk of serious injury or death in the event of a crash. Air bags are designed to work in conjunction with your seat belt. Do not drink alcohol or use drugs before driving. Do not use alcohol or drugs while driving. Do not use alcohol or drugs while driving. Do not use alcohol or drugs while driving.

▲ WARNING
 Accidental deployment can seriously hurt or kill you. See Owner's Manual for instructions and details.

DASHBOARD

U.S. model only

▲ WARNING
Children Can Be Killed or Injured by Passenger Air Bag

- The back seat is the safest place for children 12 and under.
- Make sure all children use seat belts or child seats.

To be removed by owner only.

SISTÈME D'AIR BAGS SUPPLÉMENTAIRE (SRS)
 Ce véhicule est équipé de sièges avant à air bag, de sièges latéraux à air bag (sur les sièges avant) et de sièges latéraux à air bag optionnels à l'arrière. Tous les air bags sont conçus pour aider à réduire le risque de blessures graves ou de décès en cas de collision. Les air bags sont conçus pour fonctionner en conjonction avec votre ceinture de sécurité. Ne buvez pas d'alcool ou ne prenez pas de drogues avant de conduire. Ne conduisez pas avec de l'alcool ou des drogues dans votre système. Ne conduisez pas avec de l'alcool ou des drogues dans votre système.

▲ ATTENTION
 Le déploiement accidentel peut gravement blesser ou tuer. Consultez le manuel du propriétaire pour les instructions et les détails.

SUN VISOR

U.S. model

▲ WARNING

DEATH or SERIOUS INJURY can occur

- Children 12 and under can be killed by the air bag
- The BACK SEAT is the SAFEST place for children
- NEVER put a rear-facing child seat in the front
- Sit as far back as possible from the air bag
- ALWAYS use SEAT BELTS and CHILD RESTRAINTS

Canadian model

CAUTION
 TO AVOID SERIOUS INJURY:
 • FOR MAXIMUM SAFETY PROTECTION IN ALL TYPES OF CRASHES, YOU MUST ALWAYS WEAR YOUR SAFETY BELT.
 • DO NOT INSTALL REARWARD FACING CHILD SEATS IN ANY FRONT PASSENGER SEAT POSITION.
 • DO NOT SIT OR LEAN UNNECESSARILY CLOSE TO THE AIR BAG.
 • DO NOT PLACE ANY OBJECTS OVER THE AIR BAG OR BETWEEN THE AIR BAG AND YOURSELF.
 • SEE THE DRIVER'S MANUAL FOR FURTHER INFORMATION AND EXPLANATIONS.

PRÉCAUTION:
 POUR ÉVITER DES BLESSURES GRAVES:
 • POUR PROFITER D'UNE PROTECTION MAXIMALE, LORS D'UNE COLLISION, BOUCLEZ TOUJOURS VOTRE CEINTURE DE SÉCURITÉ.
 • N'INSTALLEZ JAMAIS UN SIÈGE POUR ENFANTS FAISANT FACE À L'ARRIÈRE SUR LE SIÈGE DU PASSAGER AVANT.
 • NE VOUS APPUYEZ PAS ET NE VOUS ASSEYEZ PAS PRES DU COUSSIN GONFLABLE.
 • NE DÉPOSEZ AUCUN OBJET SUR LE COUSSIN GONFLABLE OU ENTRE LE COUSSIN GONFLABLE ET VOUS.
 • LISEZ LE GUIDE UTILISATEUR POUR DE PLUS AMPLES RENSEIGNEMENTS.

DOORJAMBS

U.S. model

SIDE AIRBAG

- This car is equipped with side airbags in the front seats and side curtain airbags.
- Do not lean against the door.
- See owner's manual for more information.

Canadian model

SIDE AIRBAG

- This car is equipped with side airbags in the front seats and side curtain airbags.
- Do not lean against the door.
- See owner's manual for more information.

COUSSIN GONFLABLE LATÉRAL

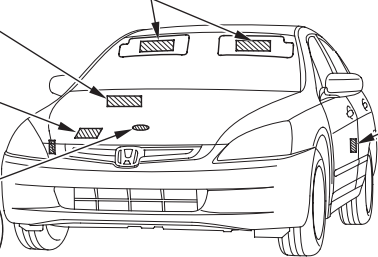
- Cette automobile est équipée de coussins gonflables latéraux dans les sièges avant ainsi que de coussins gonflables latéraux de type rideau.
- Ne vous appuyez pas sur la porte.
- Consultez le Manuel du propriétaire pour en savoir plus.

RADIATOR CAP

DANGER WARNING

DO NOT OPEN RADIATOR CAP UNTIL ENGINE IS COMPLETELY COOL. HOT FLUIDS UNDER HOOD MAY BOIL OR EXPLODE. SEE OWNER'S MANUAL FOR DETAILS.

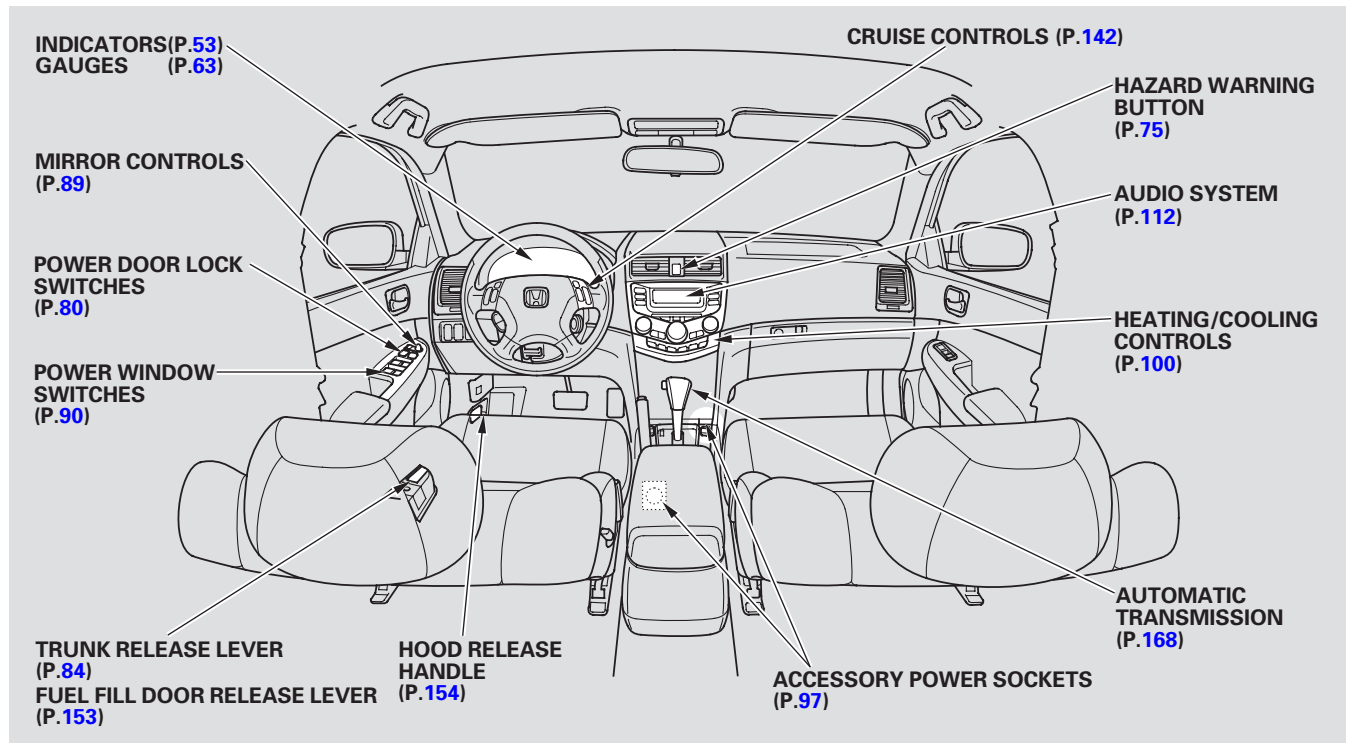
1.1



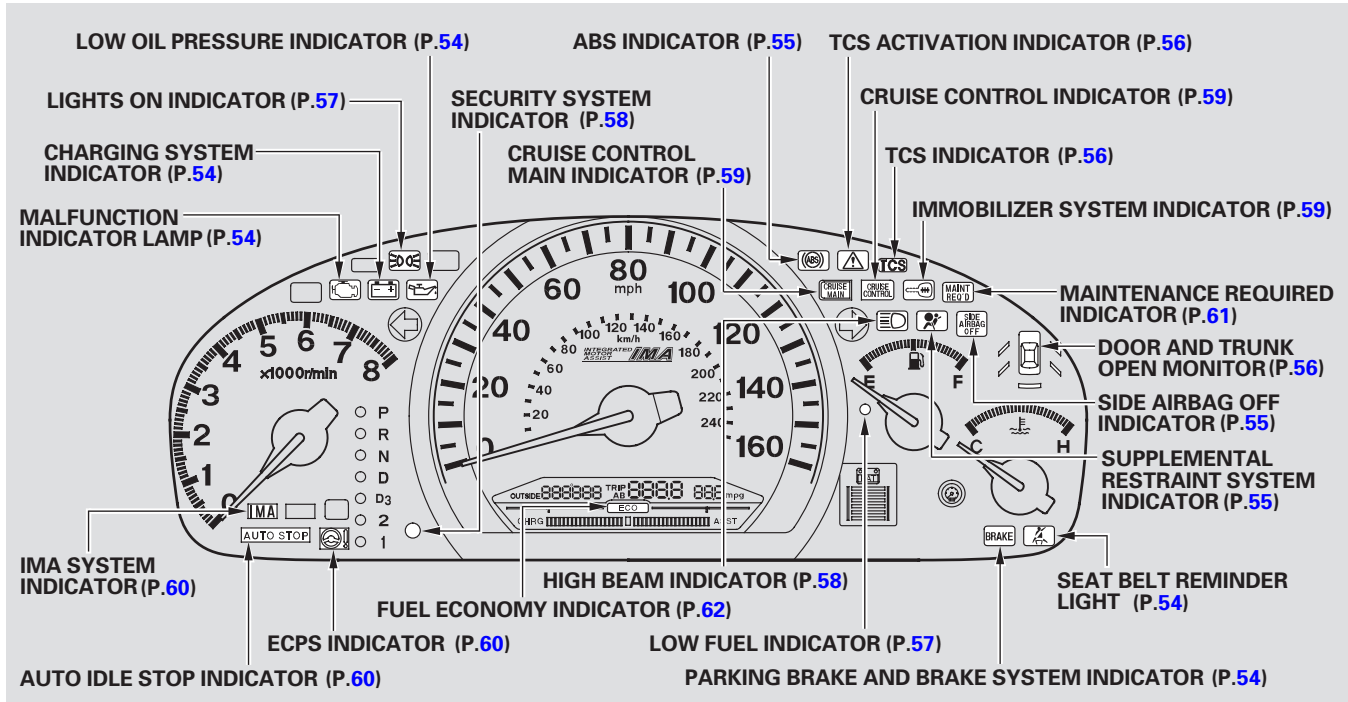
This section gives information about the controls and displays that contribute to the daily operation of your vehicle. All the essential controls are within easy reach.

Control Locations	52	Seat	86
Instrument Panel	53	Adjusting the Driver's Seat	86
Instrument Panel Lights	54	Driver's Lumbar Support	87
Gauges	63	Adjusting the Passenger's Seat	87
Controls Near the Steering		Head Restraints	88
Wheel	70	Mirrors	89
Wipers and Washers	71	Adjusting the Power Mirrors	89
Turn Signal and Headlights	72	Power Mirror Heaters	90
Automatic Lighting Off		Power Windows	90
Feature	73	Parking Brake	93
Daytime Running Lights	74	Sun Visor	94
Instrument Panel Brightness	74	Vanity Mirror	94
Hazard Warning	74	Interior Lights	95
Rear Window Defogger	75	Interior Convenience Items	96
Steering Wheel Adjustment	76	Beverage Holders	96
Keys and Locks	77	Accessory Power Sockets	97
Immobilizer System	78	Console Compartment	97
Ignition Switch	79	Center CD Pocket	97
Door Locks	80	Sunglasses Holder	98
Childproof Door Locks	81	Glove Box	98
Remote Transmitter	81		
Trunk	84		
Emergency Trunk Opener	85		
Armrest	85		
Seat Heaters	86		

Control Locations



Instrument Panel



Instruments and Controls

The U.S. instrument panel is shown. Differences for the Canadian models are noted in the text.

Instrument Panel Indicators

The instrument panel has many indicators to give you important information about your vehicle.



Seat Belt Reminder Indicator

This indicator comes on when you turn the ignition switch to ON (II). It reminds you and your passengers to fasten your seat belts. A beeper also sounds if you have not fastened your seat belt.

If you turn the ignition switch to ON (II) before fastening your seat belt, the beeper sounds and the indicator flashes. If you do not fasten your seat belt before the beeper stops, the indicator stops flashing but remains on.

If you continue driving without fastening your seat belt, the beeper sounds and the indicator flashes again at regular intervals.



Low Oil Pressure Indicator

The engine can be severely damaged if this indicator flashes or stays on when the engine is running. For more information, see page [246](#).



Charging System Indicator

If this indicator comes on when the engine is running, the battery is not being charged. For more information, see page [247](#).



Malfunction Indicator Lamp

See page [247](#).

U.S.

BRAKE

Canada



Parking Brake and Brake System Indicator

This indicator has two functions:

1. It comes on when you turn the ignition switch to ON (II). It is a reminder to check the parking brake. A beeper sounds if you try to drive with the parking brake not fully released. Driving with the parking brake not fully released can damage the brakes and tires.
2. If it remains lit after you fully release the parking brake while the engine is running, or if it comes on while driving, there could be a problem with the brake system. For more information, see page [249](#).



Supplemental Restraint System Indicator

This indicator comes on briefly when you turn the ignition switch to ON (II). If it comes on at any other time, it indicates a potential problem with your front airbags. This indicator will also alert you to a potential problem with your side airbags, side curtain airbags, and automatic seat belt tensioners. For more information, see page [28](#).

U.S.



Canada



Side Airbag Off Indicator

This indicator comes on when you turn the ignition switch to ON (II). If it comes on at any other time, it indicates that the passenger's side airbag has automatically shut off. For more information, see page [28](#).



Anti-lock Brake System (ABS) Indicator

This indicator normally comes on for a few seconds when you turn the ignition switch to ON (II), and when the ignition switch is turned to START (III). If it comes on at any other time, there is a problem with the ABS. If this happens, have your vehicle checked at a dealer. With this on, your vehicle still has normal braking ability but no anti-lock brakes. For more information, see page [178](#).

Instrument Panel Indicators



TCS Activation Indicator

This indicator has three functions:

1. It comes on as a reminder that you have turned off the traction control system (TCS).
2. It flashes when the TCS is regulating wheelspin.
3. If it comes on and stays on when the TCS is on, it indicates that there is a problem in the TCS.

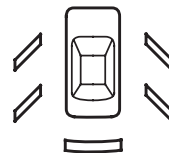
This indicator also comes on for a few seconds when you turn the ignition switch to ON (II). If it comes on and stays on at any other time, or it does not come on when you turn the ignition switch to ON (II), there is a problem with the TCS. Take the vehicle to your dealer to have it checked. See page [180](#) for more information on the TCS.



Traction Control System (TCS) Indicator

This indicator normally comes on for a few seconds when you turn the ignition switch to ON (II). If it comes on and stays on when the Traction Control System (TCS) is on, there is a problem with the TCS. For more information on the TCS, see page [180](#).

Door and Trunk Open Monitor



The appropriate indicator comes on in this monitor if the trunk or either door is not closed tightly.

All the indicators in the monitor come on for a few seconds when you turn the ignition switch to ON (II).



Turn Signal and Hazard Warning Indicators

The left or right turn signal indicator blinks when you signal a lane change or turn. If the indicators do not blink, or if they blink rapidly, it usually means one of the turn signal bulbs is burned out (see page 217). Replace the bulb as soon as possible, since other drivers cannot see that you are signaling.

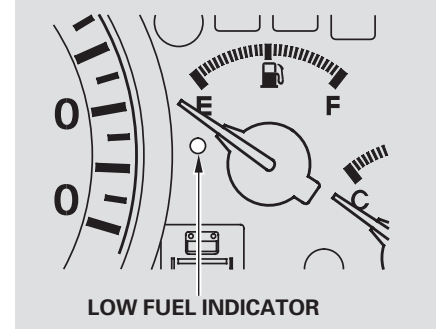
When you turn on the Hazard Warning button, both turn signal indicators blink. All turn signals on the outside of the vehicle should flash.



Lights On Indicator

This indicator reminds you that the exterior lights are on. It comes on when the light switch is in either the ⦿ or ⦿ position. If you turn the ignition switch to ACCESSORY (I) or LOCK (0) without turning off the light switch, this indicator will remain on. A reminder chime will also sound when you open the driver's door.

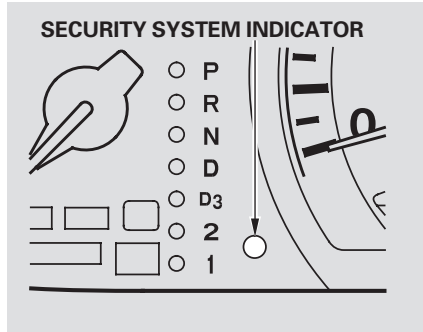
Low Fuel Indicator



This indicator comes on as a reminder that you must refuel soon.

Instrument Panel Indicators

Security System Indicator



This indicator comes on when the security system is set. See page [141](#) for more information on the security system.

DRL “Daytime Running Lights” Indicator

Canadian model only

This indicator comes on when you turn the ignition switch to ON (II) with the headlight switch off and the parking brake set. It should go off if you turn on the headlights or release the parking brake. If it comes on at any other time, it means there is a problem with the DRL. There may also be a problem with the high beam headlights.

High Beam Indicator

This indicator comes on with the high beam headlights. For more information, see page [73](#) .

On Canadian model

This indicator also comes on with reduced brightness when the daytime running lights (DRL) are on (see page [74](#)).



Cruise Control Main Indicator

This indicator comes on when you turn on the Cruise Control Master Button. (see page [142](#) .)



Cruise Control Indicator

This indicator comes on when you set the cruise control. See page [142](#) for information on operating the cruise control.



Immobilizer System Indicator

This indicator comes on for a few seconds when you turn the ignition switch to ON (II). It will go off if you have inserted a properly-coded ignition key. If it is not a properly-coded key, the indicator will blink and the engine will not start (see page [78](#)).

This indicator also blinks several times when you turn the ignition switch from ON (II) to ACCESSORY (I) or LOCK (0).



Washer Level Indicator

Canadian model only

This indicator comes on when the washer fluid level is low. Add washer fluid when you see this indicator come on (see page [205](#)).

Instrument Panel Indicators



Electric Power Steering (EPS) Indicator

This indicator normally comes on when you turn the ignition to ON (II) and goes off after the engine starts. If it comes on at any other time, there is a problem in the Electric Power Steering system. If this happens, stop the vehicle in a safe place and turn off the engine. Reset the system by restarting the engine. The indicator will not turn off immediately. If it does not go off after driving a short distance, or comes back on again while driving, take the vehicle to your dealer to have it checked. With the indicator on, the EPS may be turned off, making the vehicle harder to steer.

If the power steering system overheats while driving, the assisting power is reduced and steering may feel slightly harder.

If you drive with the system

overheated continuously or repeatedly, this can damage the power steering system.



IMA System Indicator

This indicator normally comes on for a few seconds when you turn the ignition switch to ON (II). If it comes on at any other time, it indicates a problem in the Integrated Motor Assist (IMA) system. With the IMA indicator on, the vehicle may not accelerate as it normally does. Have the vehicle checked by the dealer as soon as possible.

Auto Idle Stop Indicator

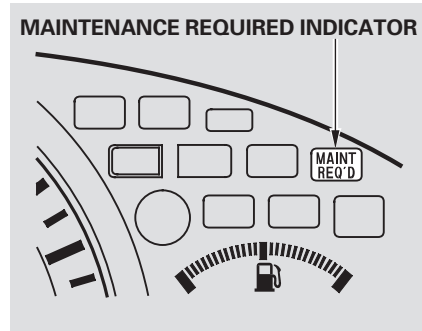
See page [174](#) .

Check Fuel Cap Display

If your fuel cap is loose or missing, a “CHECK FUEL CAP” message appears as text in the odometer/ outside temperature display after you start the engine. Turn the engine off and confirm the fuel cap is installed. If it is, loosen the cap, then retighten it at least 3 clicks. When you restart the engine, the message appears again. To clear, press and hold the Trip/Reset button until the message is replaced by the odometer/outside temperature display.

If the system still detects a loose or missing fuel fill cap, the malfunction indicator lamp (MIL) comes on. Turn the engine off, and check or retighten the fuel fill cap at least **3** clicks. The MIL goes out after **3** days of normal driving once the cap is tightened or replaced. If it does not go out, have your dealer inspect the vehicle. For more information, see page [247](#).

Maintenance Required Indicator



If the travel distance is 0 – 6,000 miles (0 – 9,600 km) after the last reset
The indicator comes on for 2 seconds each time you turn the ignition switch to the ON (II) position.

If the travel distance is 6,000 – 7,500 miles (9,600 – 12,000 km) after the last reset

Each time you turn the ignition switch to the ON (II) position, the indicator comes on for 2 seconds, and then flashes for 10 seconds.

If the travel distance is over 7,500 miles (12,000 km) after the last reset
The indicator is on when the ignition switch is in the ON (II) position.

Refer to the maintenance schedules on pages [194](#) and [195](#) for information on vehicle maintenance.

Instrument Panel Indicators

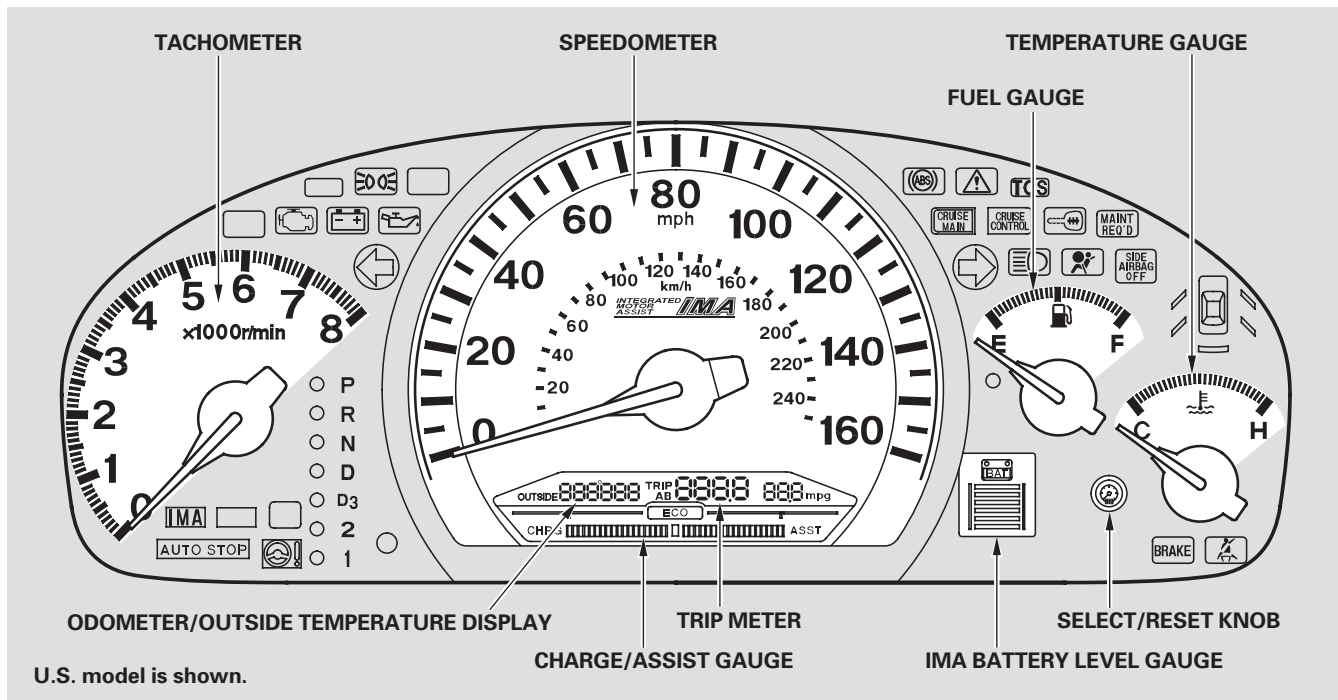
After having your vehicle serviced, ask your dealer if the system has been reset. If it has not, reset it as follows:



1. Turn off the engine.
2. Press and hold the Select/Reset knob in the instrument panel, then turn the ignition switch to ON (II).
3. Hold the knob for about 10 seconds until the indicator resets.

ECO Fuel Economy Indicator

While the engine is operating in its most economical range, this indicator may come on and stay on.



Gauges

Odometer

The odometer shows the total distance your vehicle has been driven. It measures miles in U.S. models and kilometers in Canadian models. It is illegal under U.S. federal law and Canadian provincial regulations to disconnect, reset, or alter the odometer with the intent to change the number of miles or kilometers indicated.

Outside Temperature Display

This display shows the outside temperature in Fahrenheit (U.S. models) or Centigrade (Canadian models). To see the outside temperature, press and release the Select/Reset knob until the temperature is displayed.

The temperature sensor is in the front bumper. Therefore, the temperature reading can be affected by heat reflection from the road surface, engine heat, and the exhaust from surrounding traffic. This can cause an incorrect temperature reading when your speed is under 19 mph (30 km/h).

The sensor delays the display update until it reaches the correct outside temperature. This may take several minutes.

If the outside temperature is incorrectly displayed, you can adjust it up to $\pm 5^{\circ}\text{F}$ ($\pm 3^{\circ}\text{C}$) warmer or cooler.

NOTE: The temperature must be stabilized before doing this procedure.

Select the outside temperature display, then press the Select/Reset knob for 10 seconds. The following sequences appear, 1 second at a time: 0, 1, 2, 3, 4, 5, -5, -4, -3, -2, -1, 0, 1 (0, 1, 2, 3, -3, -2, -1, 0, 1).

When the temperature reaches the desired value, release the Select/Reset knob. You should see the new outside temperature displayed.

In certain weather conditions, temperature readings near freezing (32°F , 0°C) could mean that ice is forming on the road surface.

Trip Meter

This meter shows the number of miles (U.S.) or kilometers (Canada) driven since you last reset it.

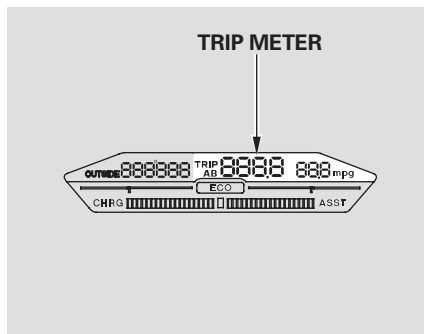
There are two trip meters: Trip A and Trip B. Switch between these displays and the odometer/outside temperature display by pressing the Select/Reset knob repeatedly. Each trip meter works independently, so you can keep track of two different distances.

When you turn the ignition switch to ON (II), what you last selected is displayed.

To reset a trip meter, display it and then press and hold the Select/Reset knob until the number resets to "0.0." Both trip meters will reset if the vehicle's battery goes dead or is disconnected.

Gauges

Trip Mileage



When a trip meter is displayed, the average fuel mileage you have been getting during that trip is shown in the Fuel Mileage display. This number is updated once every ten seconds.

When you reset a trip meter, the average fuel mileage for that trip meter also resets.

Turning Off the Trip Mileage Display

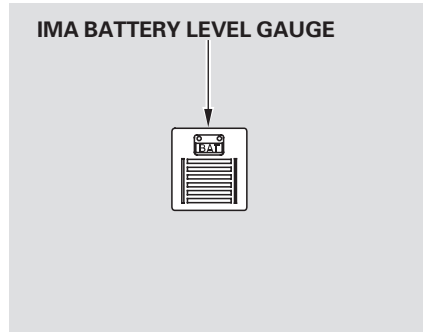
You can temporarily turn off the Trip Mileage display.

1. Turn the ignition switch to ON (II) and make sure the transmission is in Park and the parking brake is set.
2. Use the Select/Reset button to select the odometer display.
3. Press and hold the Select/Reset button for about 5 to 10 seconds, then release it. The Trip Mileage display will turn off.

The display will turn back on when you repeat the same procedure in step 3.

It shows the number of mpg (U.S.) or 1/100 km (Canada).

IMA Battery Level Gauge



This gauge shows you the state of charge of the battery for the Integrated Motor Assist (IMA). This battery is recharged by the engine, and discharged by the IMA when it is assisting the engine with powering the vehicle.

The gauge reading may drop near the bottom under driving conditions that require assist for a long time, such as prolonged acceleration or

climbing a long hill. The engine will recharge the battery as you continue driving.

If the battery is mostly discharged, the Auto Idle Stop function is disabled (see page [173](#)).

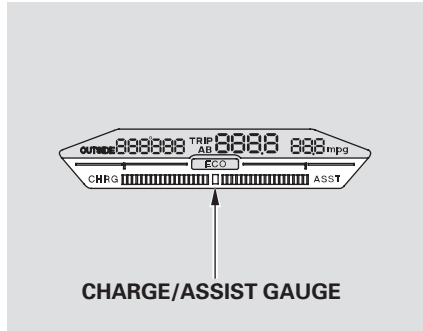
The battery level gauge does not read the battery level directly. It calculates the level by continuously measuring the current flow, voltage, and temperature.

Since the level is not read directly, small sensing errors can, over time, cause the gauge to read higher than the actual battery level. The system will then perform a correction, and the battery level gauge reading will drop suddenly. When this happens, IMA assist and Auto Idle Stop are disabled until the IMA battery is sufficiently recharged by normal driving. This should take only a few minutes.

This correction of the battery level gauge is normal and does not indicate a problem. If the IMA battery develops a problem or becomes deteriorated, the IMA system indicator will come on. If this happens, have the vehicle checked by your dealer as soon as possible.

Gauges

Charge/Assist Gauge



This gauge shows you the status of the Integrated Motor Assist (IMA). When the IMA battery is being charged, the left side of the gauge illuminates. When the IMA is assisting the engine, the right side of the gauge illuminates.

If the IMA battery is too hot or too cold, the IMA system shuts down to protect the battery. This disables the IMA assist and Auto Idle Stop, even though the Battery Level Gauge may show that the battery is well-charged. Therefore, those functions may not operate when you first start driving in very hot or cold weather.

The battery temperature will normalize after a few minutes of driving, and the IMA system will work normally.

Temperature Gauge

This shows the temperature of the engine's coolant. During normal operation, the reading should be in the middle of the gauge. In severe driving conditions, such as very hot weather or a long period of uphill driving, the reading may reach near the red mark. If it reaches the red (Hot) mark, pull safely to the side of the road. See page [244](#) for instructions and precautions on checking the engine's cooling system.

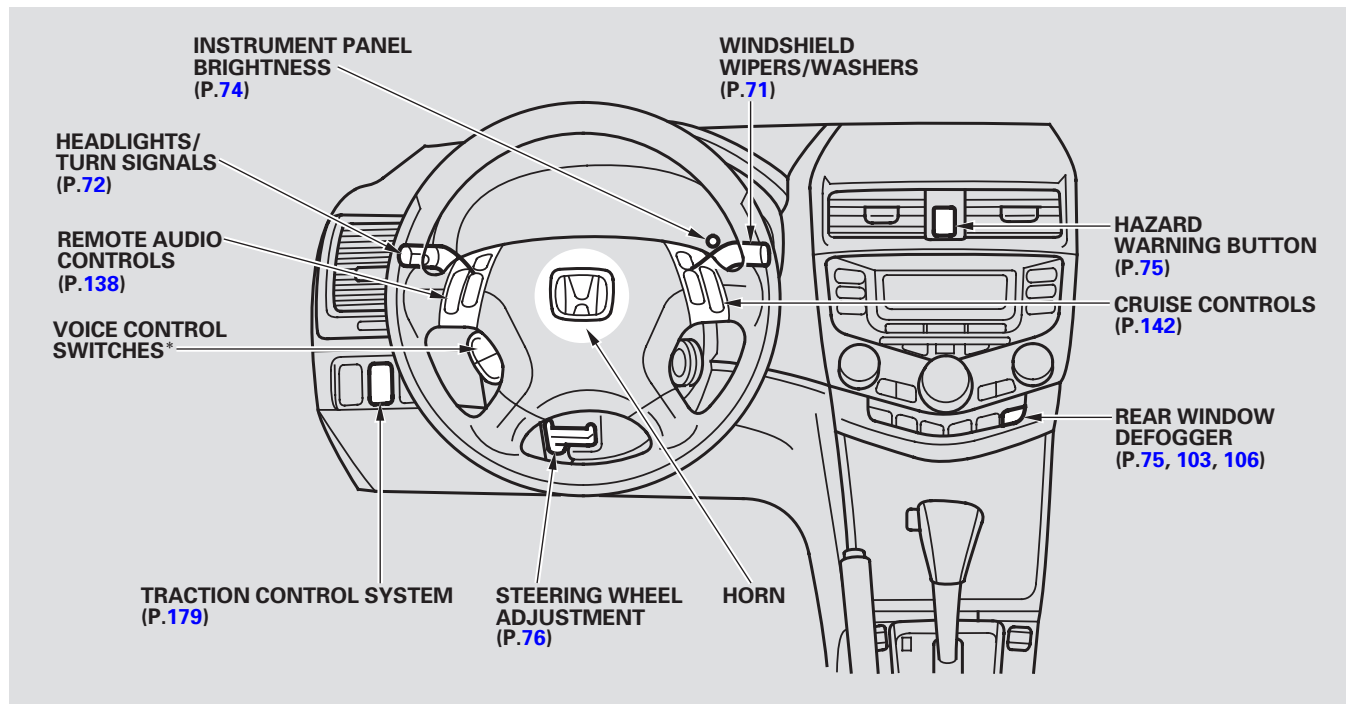
Fuel Gauge

This shows how much fuel you have. It may show slightly more or less than the actual amount. The needle returns to the bottom after you turn off the ignition.

NOTICE

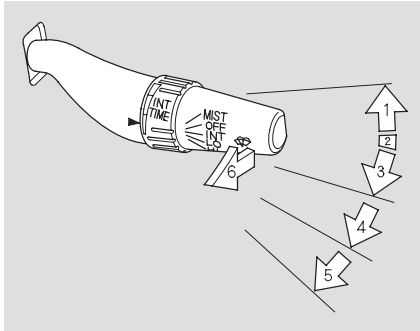
Avoid driving with an extremely low fuel level. Running out of fuel could cause the engine to misfire, damaging the catalytic converter.

Controls Near the Steering Wheel



* : Only on vehicles equipped with navigation system. Refer to the navigation system manual.

Windshield Wiper



1. MIST
2. OFF
3. INT – Intermittent
4. LO – Low speed
5. HI – High speed
6. Windshield Washers

Push the right lever up or down to select a position.

MIST – The wipers run at high speed until you release the lever.

OFF – The wipers are not activated.

INT – The length of the wiper interval is varied automatically according to the vehicle's speed. Vary the delay by turning the INT TIME ring. If you turn it to the shortest delay, the wipers will change to low speed operation when the vehicle speed exceeds 12 mph (20 km/h).

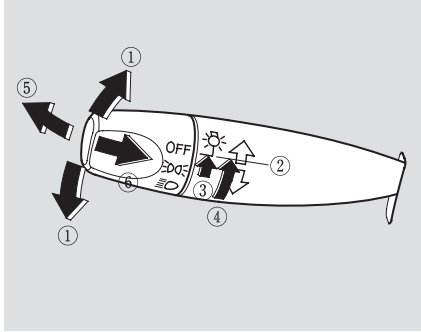
LO – The wipers run at low speed.

HI – The wipers run at high speed.

Windshield Washer – Pull the wiper control lever toward you and hold it. The washers spray until you release the lever. The wipers run at low speed, then complete one more sweep after you release the lever.


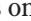
Turn Signal, Headlights

Turn Signal and Headlights



1. Turn Signal
2. Off
3. Parking and interior lights
4. Headlight on
5. High beams
6. Flash high beams

Turn Signal — Push down on the left lever to signal a left turn and up to signal a right turn. To signal a lane change, push lightly on the lever in the proper direction and hold it. The lever will return to center when you release it or complete a turn.

Headlights — Turning the switch on the left lever to the  position turns on the parking lights, taillights, instrument panel lights, side-marker lights, and rear license plate lights. Turning the switch to the  position turns on the headlights. If you leave the lights on with the ignition switch in ACCESSORY (I) or LOCK (0), you will hear a reminder chime when you open the driver's door.



When the light switch is in either of these positions, the Lights On indicator comes on as a reminder.

Headlights, Automatic Lighting Off Feature

High Beams — To turn on the high beams, push the lever forward until you hear a click. The blue high beam indicator will come on (see page 58). To turn off the high beams, pull the lever back. To flash the high beams, pull the lever farther back, and then release it. The high beams remain on until the lever is released.

Automatic Lighting Off Feature

This feature turns off the headlights, parking lights, taillights, and license plate light within 15 seconds of removing the key from the ignition switch and closing the driver's door.

This feature activates if you leave the headlight switch in the  or  position, remove the key, then open and close the driver's door.

If you remove the key from the ignition switch with the headlight switch on, but do not open the door and get out, the lights will turn off after 10 minutes.

The lights will turn on again when you unlock or open the driver's door. If you unlock the door, but do not open it within 15 seconds, the lights will go off. With the driver's door open, you will hear a lights-on reminder chime.

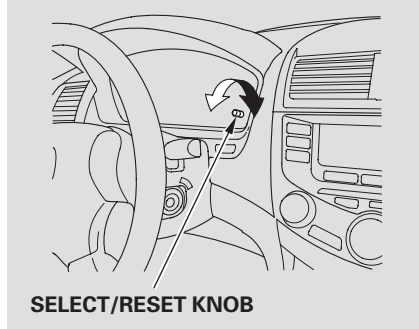
Daytime Running Lights, Instrument Panel Brightness

Daytime Running Lights (Canadian Model)

When you turn the ignition switch to the ON (II) position and release the parking brake, the high beam headlights and the high beam indicator come on at reduced brightness if the headlight switch is off.

The daytime running lights are off when the headlight switch is in the ☺ or ☹ position.

Instrument Panel Brightness



The Select/Reset knob on the instrument panel controls the brightness of the instrument panel lights. Turn the knob to adjust the brightness.

The instrument panel will illuminate with reduced brightness when you unlock and open the driver's door. The brightness will increase slightly when you insert the key in the ignition switch, then go to normal brightness when you turn the ignition switch to ON (II).

If you do not insert the key in the ignition switch after opening the driver's door, the illumination turns off in about 30 seconds.

If you insert the key but do not turn the ignition switch to ON (II), the illumination turns off in about 10 seconds.

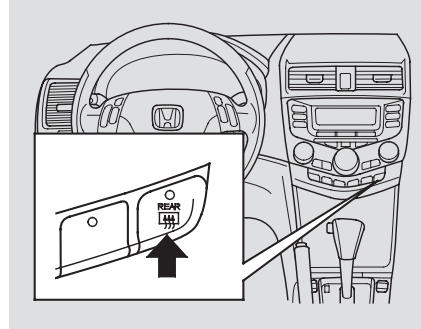
Hazard Warning, Rear Window Defogger

Hazard Warning



Press the hazard warning button if you need to bring your vehicle to an emergency stop, or if it is disabled. When you press the button, the turn signal lights and the turn signal indicators blink.

Rear Window Defogger



Turn on this defogger to defog or de-ice the rear window. The indicator on the button is on when the defogger is on. The defogger turns off when you turn off the engine.

Before driving, make sure the rear window is clear.

The rear window is equipped with defogger wires. The wires are attached from inside the vehicle. To clean the rear window, wipe it from side to side to prevent the wires from being damaged.

Steering Wheel Adjustment

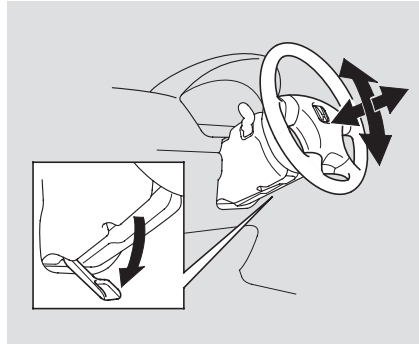
Make any steering wheel adjustment before you start driving.

⚠ WARNING

Adjusting the steering wheel position while driving may cause you to lose control of the vehicle and be seriously injured in a crash.

Adjust the steering wheel only when the vehicle is stopped.

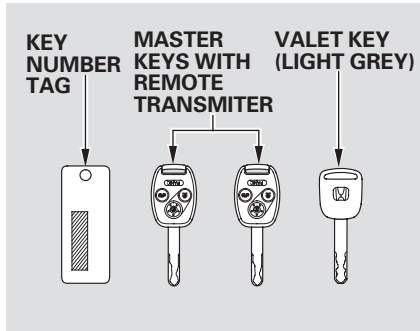
1. Insert the key in the ignition switch, and unlock the steering column.
2. Push the lever under the steering column all the way down.



3. Move the steering wheel up or down, and in or out to the desired position. Make sure you can see the instrument panel gauges and the indicator lights.

4. Push the lever up to lock the steering wheel in that position.
5. Make sure you have securely locked the steering wheel in place by trying to move it up, down, in, and out.

Keys and Locks



The master key fits all the locks on your vehicle. The valet key works only in the ignition and the door locks. You can keep the trunk release handle, rear seat trunk access, and glove box locked when you leave your vehicle and the valet key at a parking facility.

You should have received a key number tag with your keys. You will need this key number if you ever have to get a lost key replaced. Use only Honda-approved key blanks.

These keys contain electronic circuits that are activated by the Immobilizer System. They will not work to start the engine if the circuits are damaged.

- Protect the keys from direct sunlight, high temperature, and high humidity.

- Do not drop the keys or set heavy objects on them.
- Keep the keys away from liquids. If they get wet, dry them immediately with a soft cloth.

Immobilizer System

The Immobilizer System protects your vehicle from theft. If an improperly-coded key (or other device) is used, the engine will not start.

When you turn the ignition switch to ON (II), the Immobilizer System indicator should come on for a few seconds, then go out. If the indicator starts to blink, it means the system does not recognize the coding of the key. Turn the ignition switch to LOCK (0), remove the key, reinsert it, and turn the switch to ON (II) again.

The system may not recognize your key's coding if another immobilizer key or other metal object (i.e. key fob) is near the ignition switch when you insert the key.

If the system repeatedly does not recognize the coding of your key, contact your dealer.

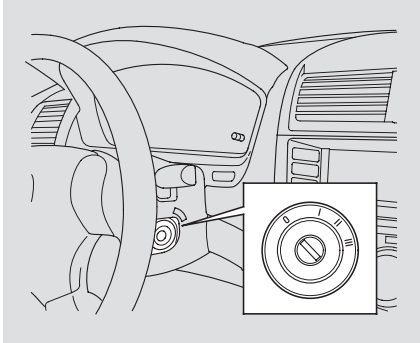
Do not attempt to alter this system or add other devices to it. Electrical problems could result that may make your vehicle undriveable.

If you lose your key and you cannot start the engine, contact your dealer.

*As required by the FCC:
This device complies with Part 15 of the FCC rules. Operation is subject to the following two conditions: (1) This device may not cause harmful interference, and (2) this device must accept any interference received, including interference that may cause undesired operation.*

Changes or modifications not expressly approved by the party responsible for compliance could void the user's authority to operate the equipment.

*This device complies with Industry Canada Standard RSS-210.
Operation is subject to the following two conditions: (1) this device may not cause interference, and (2) this device must accept any interference that may cause undesired operation of the device.*



The ignition switch has four positions: LOCK (0), ACCESSORY (I), ON (II), START (III)

LOCK (0) — You can insert or remove the key only in this position. To turn the key, the shift lever must be in Park, and you must push the key in slightly. If the front wheels are turned, the anti-theft lock may make it difficult to turn the key. Firmly turn the steering wheel to the left or to the right as you turn the

key.

ACCESSORY (I) — You can operate the audio system and the accessory power sockets in this position.

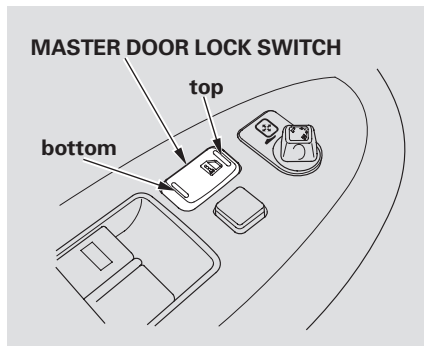
ON (II) — This is the normal key position when driving. Several of the lights on the instrument panel come on as a test when you turn the ignition switch from ACCESSORY (I) to ON (II).

START (III) — Use this position only to start the engine. The switch returns to ON (II) when you let go of the key.

A reminder beeper sounds if the ignition switch is in the the LOCK (0) or ACCESSORY (I) position when you open the driver's door. Remove the key from the ignition switch to turn off the beeper.

Before removing the key from the ignition switch, make sure the shift lever is in the Park position.

Door Locks



Each front door has a master door lock switch. Either switch locks and unlocks all doors. Push the top of the switch to lock all doors; push the bottom to unlock them.

To lock any passenger's door when getting out of the vehicle, push the lock tab down, and close the door.

Only the driver's door has a door lock.

Insert your key into the door lock and turn it counterclockwise once to lock the driver's door and the other doors.

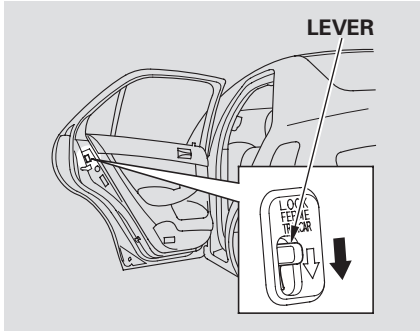
Insert your key into the door lock and turn it clockwise once to unlock the driver's door. Turn the key back and turn it clockwise again to unlock the other doors.

Lockout Prevention

With the driver's door open and the key in the ignition, both door lock switches are disabled. They are not disabled if the driver's door is closed. Pushing the switch down on the open passenger's door will lock all doors.

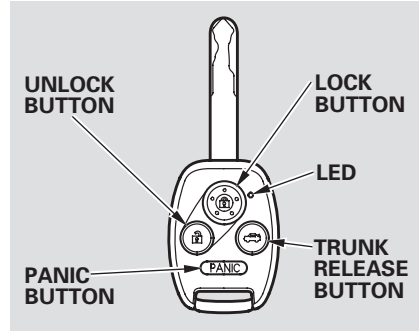
Childproof Door Locks, Remote Transmitter

Childproof Door Locks



The childproof door locks are designed to prevent children seated in the rear from accidentally opening the rear doors. Each rear door has a lock lever near the edge. When the lock lever is pushed down, the door cannot be opened from the inside regardless of the position of the lock tab. To open the door, pull the lock tab up, and use the outside door handle.

Remote Transmitter



LOCK – Press this button once to lock all doors. Some exterior and interior lights will flash. You cannot lock it if any door is not fully closed or key is in the ignition switch.

When you push LOCK twice within 5 seconds, you will hear a beep to verify that the security system has set.

You can open and close all power windows from outside the vehicle with the key. With the remote transmitter, you can open the windows. Refer to Power Windows on page 90 .

UNLOCK – Press this button once to unlock the driver's door. Push it twice to unlock the other doors.

The ceiling light (if the ceiling light switch is in the center position) will come on when you press the UNLOCK button. If you do not open any door, the light stays on for about 30 seconds, then fades out. If you relock the doors with the remote transmitter before 30 seconds have elapsed, the light will go off immediately.

Remote Transmitter

You cannot lock the doors with the remote transmitter if any door is not fully closed or the key is in the ignition switch.

If you do not open any door within 30 seconds, the doors automatically relock and the security system sets.

PANIC — Press this button for about 1 second to attract attention; the horn will sound and the exterior lights will flash for about 30 seconds. To cancel panic mode, press any other button on the remote transmitter, or turn the ignition switch to ON (II).

TRUNK RELEASE — Press this button for about 1 second to open the trunk. You cannot open the trunk if the key is in the ignition switch.

Remote Transmitter Care

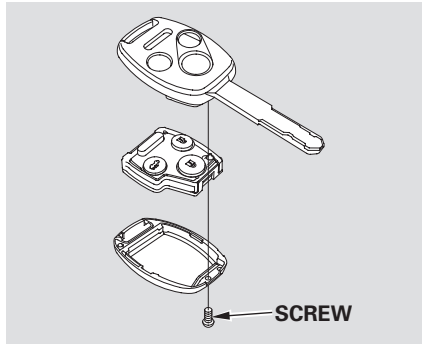
- Avoid dropping or throwing the transmitter.
- Protect the transmitter from extreme temperature.
- Do not immerse the transmitter in any liquid.
- If you lose a transmitter, the replacement needs to be reprogrammed by your dealer.

Replacing the Transmitter Battery

If it takes several pushes on the button to lock or unlock the doors, replace the battery as soon as possible.

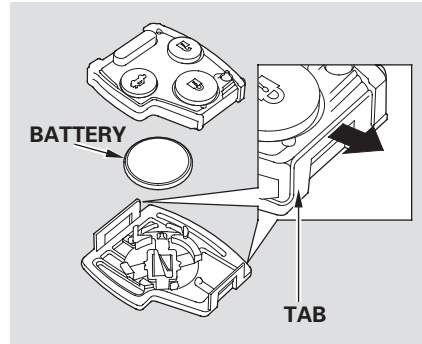
Battery type: CR1616

Remote Transmitter



To replace the battery:

1. Remove the screw at the base of the transmitter with a small Phillips-head screwdriver.
2. Separate the transmitter by prying its middle seam with your fingernail.



3. Inside the transmitter, separate the inner cover from the keypad by releasing the two tabs on the cover.
4. Remove the old battery from the back of the inner cover, and note the polarity. Make sure the polarity of the new battery is the same (+ side facing down), then insert it into the back of the cover.
5. Install the parts in reverse order.

As required by the FCC:

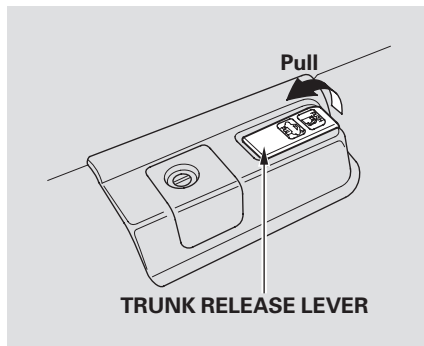
This device complies with Part 15 of the FCC rules. Operation is subject to the following two conditions: (1) This device may not cause harmful interference, and (2) this device must accept any interference received, including interference that may cause undesired operation.

Changes or modifications not expressly approved by the party responsible for compliance could void the user's authority to operate the equipment.

This device complies with Industry Canada Standard RSS-210.

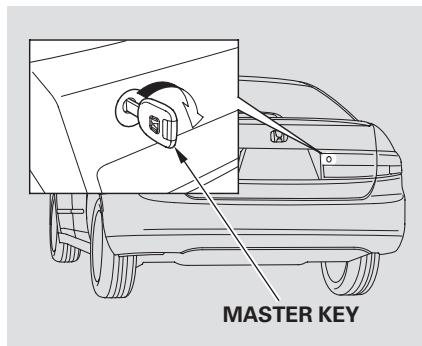
Operation is subject to the following two conditions: (1) this device may not cause interference, and (2) this device must accept any interference that may cause undesired operation of the device.

Trunk



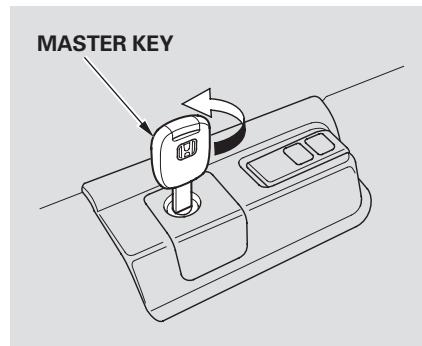
You can open the trunk in any of three ways:

- Pull up on the trunk release lever located to the left of the driver's seat.
- Use the master key to open the trunk lock. The valet key does not work in this lock.
- Press and hold the trunk release button on the remote transmitter.



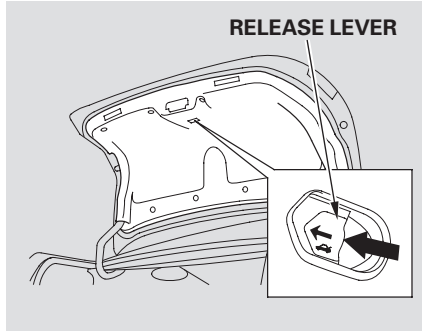
To close the trunk, press down on the trunk lid.

See page [161](#) for cargo loading and weight limit information. Keep the trunk lid closed at all times while driving to avoid damaging the lid, and to prevent exhaust gas from getting into the interior. See **Carbon Monoxide Hazard** on page [49](#).



Lock the trunk release lever with your master key to prevent someone from opening the trunk. If they need to lock/unlock the doors or drive your vehicle, give them your valet key.

Emergency Trunk Opener

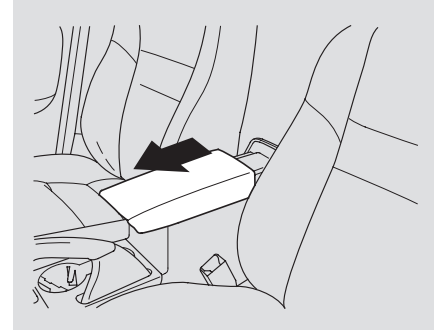


As a safety feature, your vehicle has a release lever on the trunk latch so the trunk can be opened from the inside.

To open the trunk, push the release lever to the left.

Parents should decide if their children should be shown how to use this feature.

Armrest

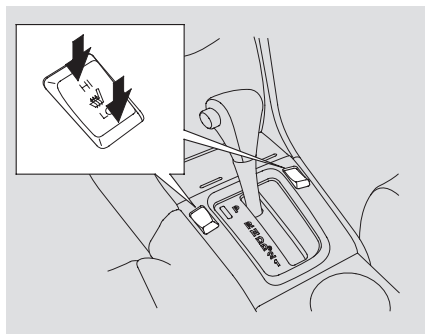


To use the console lid as an armrest, slide it to the desired position.

Make sure the passenger's hands or fingers are away from the armrest before moving it.

Seat Heaters, Seats

Seat Heaters



Both front seats are equipped with seat heaters. Because of the sensors for the side airbag system, there is no heater in the passenger's seat-back. The ignition switch must be ON (II) to use the heaters.

After the seat reaches a comfortable temperature, select LO by pushing the back of the switch. This will keep the seat warm.

In HI, the heater turns off when the seat gets warm, and turns back on after the seat temperature drops.

In LO, the heater runs continuously. It does not cycle with temperature changes.

Follow these precautions whenever you use the seat heaters:

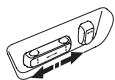
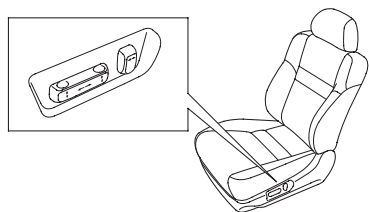
- Use the HI setting only to heat the seats quickly, because it draws large amounts of current from the battery.
- If the engine is left idling for an extended period, do not use the seat heaters even on the LO setting. It can weaken the battery, causing hard starting.

Adjusting the Driver's Seat

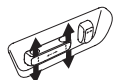
See pages 13 – 14 for important safety information and warnings about how to properly position seats and seat-backs.

The controls for the adjustable driver's power seat are on the outside edge of the seat bottom. You can adjust the power seat with the ignition switch in any position. Make all seat adjustments before you start driving.

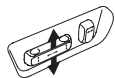
Moving the long horizontal switch adjusts the seat bottom in several directions. The seat bottom adjusts in the direction you move the switch. The short vertical switch adjusts the seat back angle.



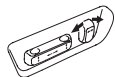
Moves the seat forward and backward.



Moves the front of the seat up or down and the rear of the seat up or down.

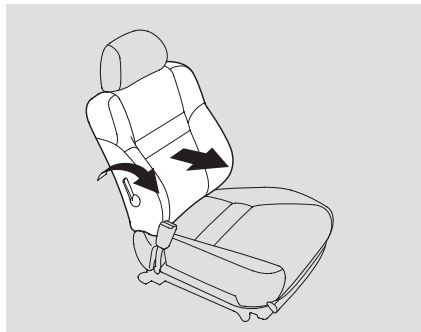


Raises or lowers the seat.



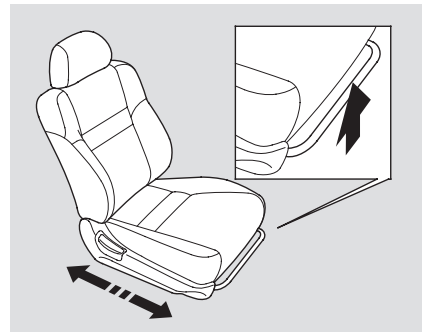
Adjusts the seat-back angle forward or backward.

Driver's Lumbar Support



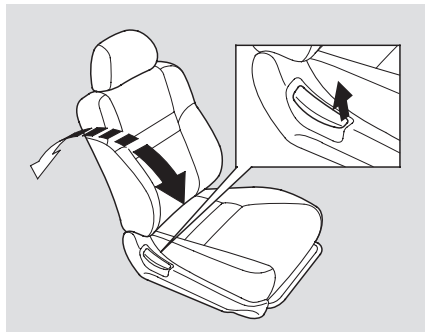
To change the lumbar support, move the lever on the right side of the seat-back forward or backward. Keep moving the lever forward or backward until you find a suitable position.

Adjusting the Passenger's Seat



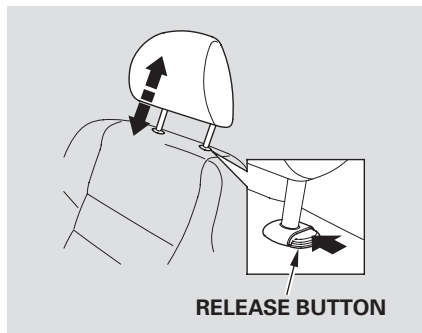
To adjust the seat forward and backward, pull up on the lever under the seat cushion's front edge. Move the seat to the desired position and release the lever. Try to move the seat to make sure it is locked in position.

Seats



To change the seat-back angle, pull up on the lever on the outside of the seat bottom.

Head Restraints

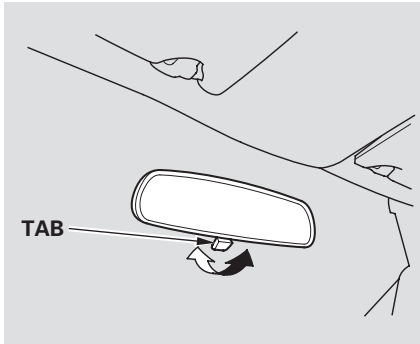


See page 15 for important safety information and a warning about how to properly position the head restraints.

Your vehicle is equipped with head restraints in all seating positions to help protect you and your passengers from whiplash and other injuries.

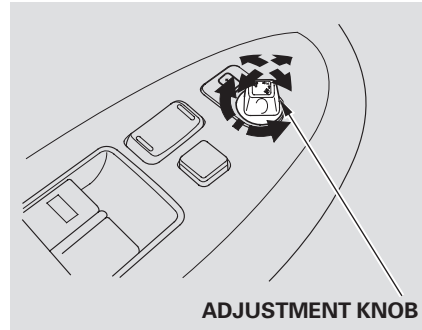
They are most effective when you adjust them so the back of the occupant's head rests against the center of the restraint.

The front and rear head restraints adjust for height. You need both hands to adjust the restraint. Do not attempt to adjust it while driving. To raise it, pull upward. To lower the restraint, push the release button and push the restraint down.



Keep the inside and outside mirrors clean and adjusted for best visibility. Be sure to adjust the mirrors before you start driving. The outside mirrors are manually adjustable. The inside mirror has day and night positions. The night position reduces glare from headlights behind you. Flip the tab on the bottom edge of the mirror to select the day or night position.

Adjusting the Power Mirrors



1. Turn the ignition switch to ON (II).
2. Turn the adjustment knob to L (driver's side) or R (passenger's side).

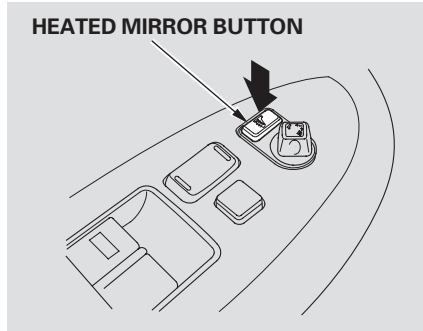
3. Push or pull the adjustment knob right, left, up, or down to move the mirror.
4. When you finish, turn the adjustment knob to the center (off) position.

CONTINUED

Mirrors, Power Windows

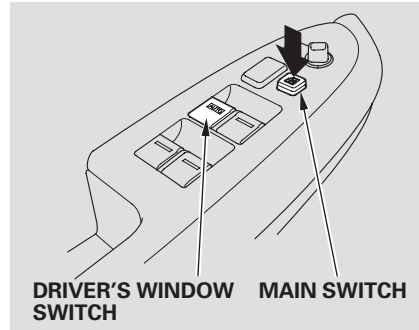
Power Mirror Heaters

On Canadian model



The outside mirrors are heated to remove fog and frost. With the ignition switch in the ON (II) position, turn on the heaters by pressing the button. The indicator in the button comes on as a reminder. Press the button again to turn the heaters off.

Power Windows



Turn the ignition switch to ON (II) to raise or lower any window. To open the window, push the switch down and hold it. Release the switch when you want the window to stop. Pull back on the switch and hold it to close the window.

⚠ WARNING

Closing a power window on someone's hands or fingers can cause serious injury.

Make sure your passengers are away from the windows before closing them.

AUTO – To open the driver's window, push the window switch firmly down, then release it. To stop the window from going all the way down, pull back on the window switch briefly.

To close the driver's window fully, pull back the window switch firmly, then release it. To stop the window from going all the way up, push down on the window switch briefly.

To open or close the driver's window partially, push down or pull back on the window switch lightly and hold it. The window will stop when you release the switch.

The passenger windows cannot be raised or lowered if the MAIN switch is OFF. Keep the MAIN switch off when you have children in the vehicle so they do not injure themselves by operating the windows unintentionally.

AUTO REVERSE – If the driver's window senses any obstacle while it is closing automatically, it will reverse direction and then stop. To close the window, remove the obstacle, then use the window switch again.

Auto reverse stops sensing when the window is almost closed. You should always check that all passengers and objects are away from the window before closing it.

If your vehicle's battery is disconnected or goes dead, or the driver's window fuse is removed, the AUTO function will be disabled. The power window system needs to be reset after reconnecting the battery or installing the fuse.

1. Start the engine. Push down and hold the driver's window switch until the window is fully open.
2. Pull and hold the driver's window switch to close the window completely, then hold the switch for a second or two more.

If the power windows do not operate properly after resetting, have your vehicle checked by your dealer.

Power Windows

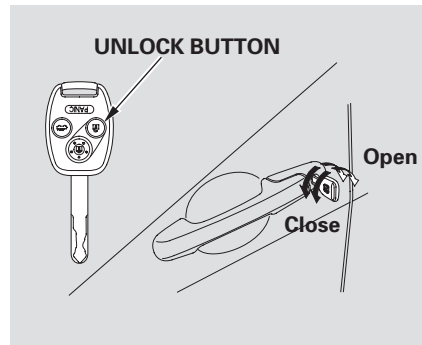
The power window system has a key-off delay function. The windows will still operate for up to 10 minutes after you turn off the ignition switch. Opening either front door cancels the delay function. You must turn the ignition switch to ON (II) again before you can raise or lower the windows.

Opening the Windows with the Remote Transmitter

You can open all of the windows from the outside with the remote transmitter.

1. Press the UNLOCK button once to unlock the driver's door.
2. Press the UNLOCK button a second time, and hold it. The passenger's doors unlock, and all four windows start to open. To stop the windows, release the button.
3. To open the windows further, press the button again.

You cannot close the windows with the remote transmitter.



Opening/Closing the Windows with the Key

You can open and close the windows with the key in the driver's door lock.

To open:

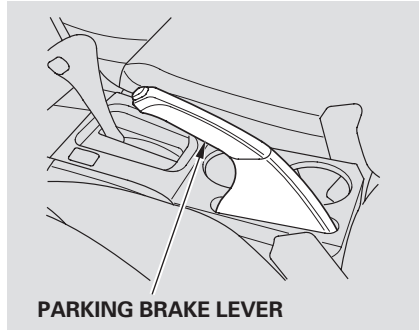
1. Insert the key in the driver's door lock.
2. Turn the key clockwise, then release it.

3. Turn the key clockwise again, and hold it. All four windows start to open. To stop the windows, release the key.
4. To open the windows further, turn and hold the key again.

To close:

1. Insert the key in the driver's door lock.
2. Turn the key counterclockwise, then release it.
3. Turn the key counterclockwise again, and hold it. All four windows start to close. To stop the windows, release the key.
4. To close the windows further, turn and hold the key again.

Parking Brake



To apply the parking brake, pull the lever up fully. To release it, pull up slightly, push the button, and lower the lever. The parking brake light on the instrument panel should go out when the parking brake is fully released with the engine running (see page [54](#)).

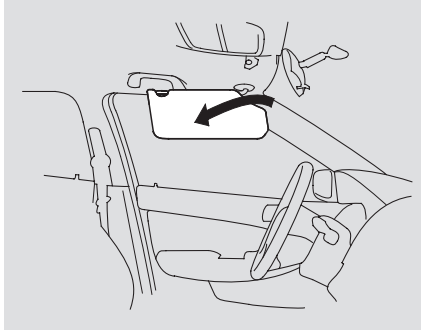
If you drive without fully releasing the parking brake, the beeper sounds continuously.

NOTICE

Driving the vehicle with the parking brake applied can damage the rear brakes and hubs.

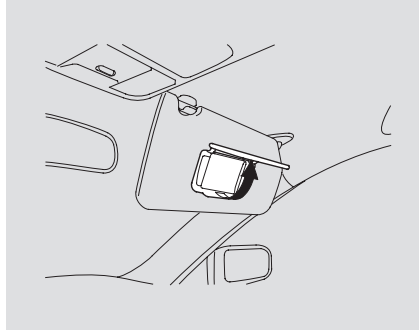
Sun Visor, Vanity Mirror

Sun Visor



To use the sun visor, pull it down. You can also use the sun visor at the side window. Remove the support rod from the clip and swing the sun visor toward the side window.

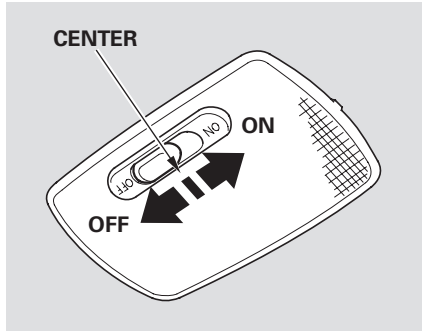
Vanity Mirror



To use a vanity mirror on the back of the sun visor, pull up the cover.

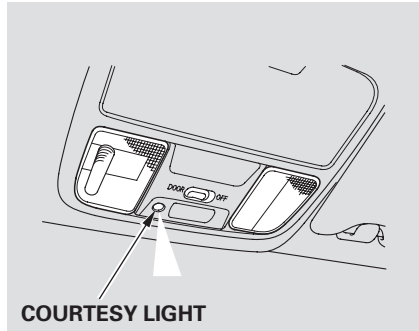
The light comes on when you pull up the cover.

Ceiling Lights



There is a ceiling light on the middle of the ceiling.

When the switch is in the **CENTER** position, the light comes on when you open any door or unlock the doors with the key or remote transmitter. After you close all the doors tightly, the light dims slightly, then fades out in about 30 seconds.



There are two ceiling lights on the front of the ceiling.

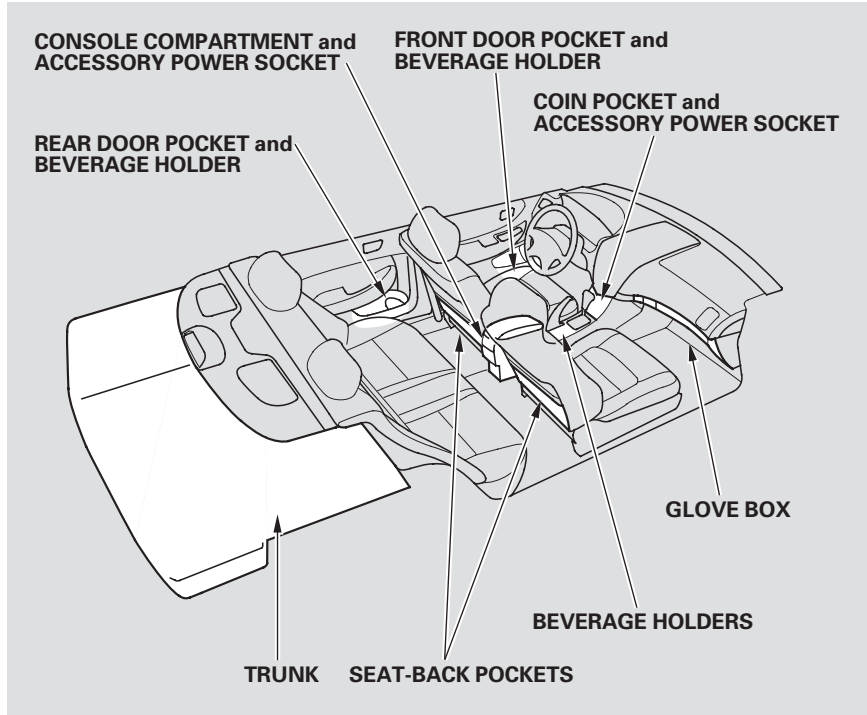
Push the light covers to turn the lights on and off.

The courtesy light comes on when you turn the parking lights on. To adjust its brightness, turn the **Select/Reset** knob on the instrument panel.

Individual Interior Lights

The courtesy lights in the front doors and around the ignition switch come on when you open any door. After you close the door, the ignition switch light stays on for several seconds.

Interior Convenience Items



Beverage Holders

Be careful when you are using the beverage holders. A spilled liquid that is very hot can scald you or your passengers. Liquid can also spill from the door pocket beverage holders when you close the doors. Use only resealable containers in the door pockets.

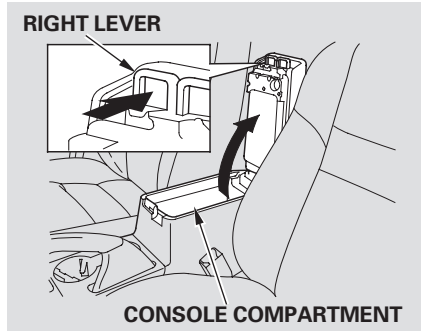
Spilled liquids can damage the upholstery, carpeting, and electrical components in the interior.

Accessory Power Sockets

These sockets are intended to supply power for 12 volt DC accessories that are rated 120 watts or less (10 amps).

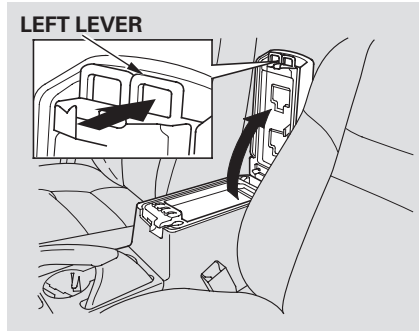
None of the sockets will power an automotive type cigarette lighter element. When more than one socket is being used, the combined power rating of the accessories should be 120 watts or less (10 amps).

Console Compartment



To open the console compartment, pull up on the right lever and lift the armrest.

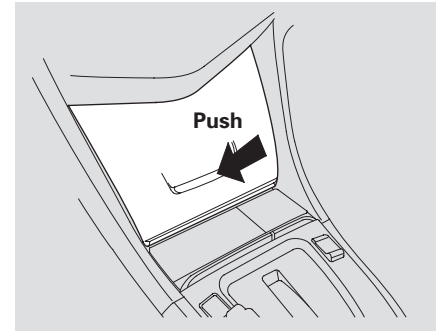
To close, lower the armrest, and push it down until it latches.



You can put small items in the tray located in the console compartment lid. To use the tray, pull up on the left lever and lift up the armrest.

The tray in the console compartment has a coin holder.

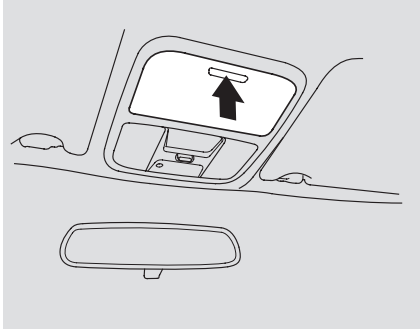
Center CD Pocket



On U.S. model without navigation system and Canadian model
To open the center CD pocket, push-down on the center of the lid to unlatch it. It will swing open automatically.
To close it, push the lid down until it latches.
This pocket can store up to 12 CDs.

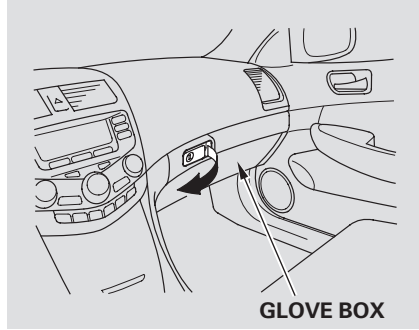
Interior Convenience Items

Sunglasses Holder



To open the sunglasses holder, push on the front edge. Make sure the holder is closed while you are driving.

Glove Box



Open the glove box by pulling the handle to the left. Close it with a firm push. Lock or unlock the glove box with the master key.

The glove box light is on when the parking lights are on.

⚠ WARNING

An open glove box can cause serious injury to your passenger in a crash, even if the passenger is wearing the seat belt.

Always keep the glove box closed while driving.

Your heating and air conditioning system provides a comfortable environment in all weather conditions.

Your audio system has many features. This section describes them.

The security system helps prevent your vehicle from being broken into or being stolen.

Vents, Heating, and A/C	100	Caring the Tape and Player.....	131
Dual Temperature Control.....	109	Playing the XM™ Satellite	
Climate Control Sensors.....	111	Radio	132
Playing the Radio.....	112	Satellite Digital Radio.....	132
To Play the Radio	113	To Play XM™ Satellite Radio....	133
To Select a Station.....	113	To Select a Channel.....	133
Adjusting the Sound.....	116	Satellite Radio Signals.....	135
Radio Frequencies.....	117	Receiving Satellite Radio	
Radio Reception.....	117	Service.....	136
Playing a CD.....	119	Steering Wheel Controls	138
Playing a CD, CD Changer.....	120	Radio Theft Protection.....	139
To Play a CD	120	Setting the Clock	140
To Stop Playing a CD	123	Security System	141
Removing CDs from the		Cruise Control.....	142
Changer	123	HomeLink Universal	
Operating the Optional CD		Transceiver.....	145
Changer	124		
CD Player Error Messages	125		
CD Changer Error Messages	126		
Protecting your CDs.....	127		
General Information.....	127		
Protecting CDs.....	127		
Playing a Tape.....	128		
To Play a Tape	129		
To Stop Playing a Tape	129		
Tape Search Functions	130		

Vents, Heating, and A/C

Without Navigation System

TEMPERATURE CONTROL DIAL (DRIVER'S SIDE)

TEMPERATURE DISPLAY

FAN SPEED INDICATOR

TEMPERATURE CONTROL DIAL (PASSENGER'S SIDE)

FAN CONTROL BUTTONS

MODE BUTTON

AUTO BUTTON

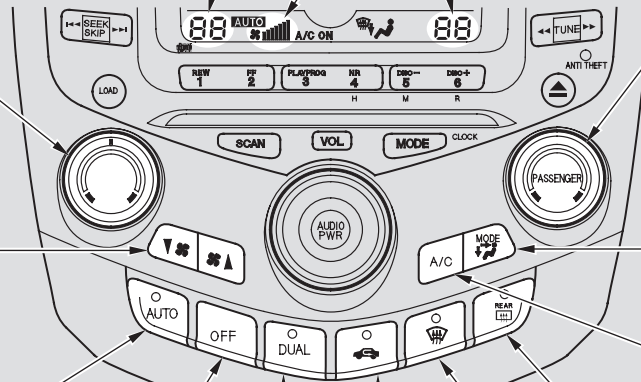
A/C BUTTON

OFF BUTTON

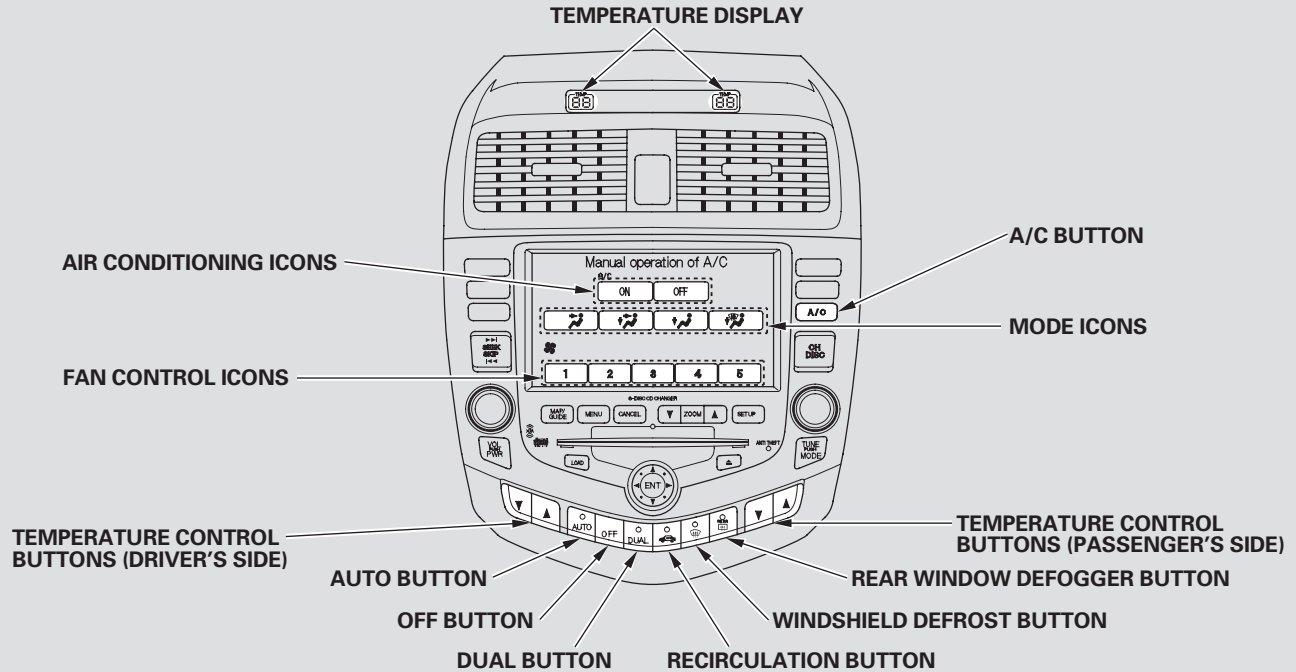
REAR WINDOW DEFOGGER BUTTON

DUAL BUTTON

RECIRCULATION BUTTON



With Navigation System (U.S. Vehicles Only)



Vents, Heating, and A/C

Fan Control

Without Navigation System

You can manually select the fan speed by pressing the fan control buttons. The fan speed is represented by vertical bars in the display.

With Navigation System

You can manually select the fan speed by pressing the A/C button next to the display and then, pressing the fan control icons.

Temperature Control

Without Navigation System

Turn the temperature control dial on the driver's side to adjust the airflow temperature on both the driver's and passenger's sides at the same time.

When you press the DUAL button, the indicator comes on. When it is on, the airflow temperatures on the driver's and passenger's sides can be adjusted individually.

With Navigation System

Press the temperature control buttons ▲ and ▼ on the driver's side to adjust the airflow temperature on both the driver's and passenger's sides at the same time.

When you press the DUAL button, the indicator comes on. When it is on, the airflow temperatures on the driver's and passenger's sides can be adjusted individually.

If temperature display flashes, there is a problem with the Hybrid-A/C. Have your vehicle checked by your dealer as soon as possible.

Air Conditioning (A/C) Button

Without Navigation System

Press the A/C button to turn the air conditioning on and off. The display shows “A/C ON” when the air conditioning is on. The display shows “A/C OFF” when the air conditioning is off.

With Navigation System

The display shows “ON” and “OFF” after you press the A/C button. The display shows “A/C ON” after you touch “ON” to turn the air conditioning on. The display shows “A/C OFF” after you touch “OFF” to turn the air conditioning off.

When the A/C is off, the airflow temperature does not fall below the outside air temperature. When you set the airflow temperature lower than the outside air temperature, make sure the A/C is on.

Recirculation Button

When the recirculation indicator is on, air from the vehicle’s interior is sent throughout the system again. When the indicator is off, air is brought in from the outside of the vehicle (Fresh Air mode).

The outside air intakes for the heating and cooling system are at the base of the windshield. Keep this area clear of leaves and other debris.

The system should be left in fresh air mode under almost all conditions. Keeping the system in recirculation mode, particularly with the A/C off, can cause the windows to fog up. Switch to recirculation mode when driving through dusty or smoky conditions, then return to fresh air mode.

Rear Window Defogger Button


This button turns the rear window defogger off and on (see page 75).

Vents, Heating, and A/C


Mode Control


Use the mode control buttons or icons to select the vents the air flows from. Some air flows from the dashboard corner vents in all modes.



 Air flows from the center and corner vents in the dashboard.

 Airflow is divided between the vents in the dashboard and the floor vents.

 Air flows from the floor vents.

 Airflow is divided between the floor vents and the defroster vents at the base of the windshield.

 Air flows from the defroster vents at the base of the windshield.

When you select  or  , the system automatically switches to Fresh Air mode and turns on the A/C. In these modes, the A/C stays on with the indicator off.

Without Navigation System


Each time you press the MODE button, the display shows the mode selected.

With Navigation System

Press the A/C button to view the display, then touch any of the mode icons on the display.

Ventilation


The flow-through ventilation system draws in outside air, circulates it through the interior, then exhausts it through vents near the rear window.

1. Set the temperature to the lower limit.
2. Make sure the A/C is off.
3. Select  and Fresh Air mode.
4. Set the fan to the desired speed.

Using the Heater

The heater uses engine coolant to warm the air. If the engine is cold, it will be several minutes before you feel warm air coming from the system.

Without Navigation System

1. Select .
2. Set the fan to the desired speed.
3. Adjust the warmth of the air with the temperature control dial.


With Navigation System

1. Press the A/C button, the manual operation of A/C screen will appear.
2. Select the desired mode and fan speed icons on the display.
3. Adjust for warmth with the temperature buttons (▲ or ▼).

Using the A/C

Air conditioning places an extra load on the engine. Watch the engine coolant temperature gauge (see page 68). If it moves near the red zone, turn off the A/C until the gauge reading returns to normal.

Without Navigation System

1. Turn on the A/C by pressing the A/C button.
2. Make sure the temperature control dial or button is set to maximum cool.
3. Select .
4. If the outside air is humid, select Recirculation mode. If the outside air is dry, select Fresh Air mode.
5. Set the fan to the desired speed.

With Navigation System

1. Press the A/C button, the Manual Operation A/C screen will appear.
2. Select the ON icon on the display.
3. Select the desired temperature and MODE selections. If the outside air is humid, select the Recirculation mode. If the outside air is dry, select Fresh Air mode.

If the interior is very warm, you can cool it down more rapidly by partially opening the windows, turning on the A/C, and setting the fan to maximum speed in fresh air mode.

Vents, Heating, and A/C

Dehumidify the Interior




Air conditioning, as it cools, removes moisture from the air. When used in combination with the heater, it makes the interior warm and dry.


1. Turn the fan on.
2. Turn on the air conditioning.
3. Select  and Fresh Air mode.
4. Adjust the temperature control dial or buttons to your preference.

This setting is suitable for all driving conditions whenever the outside temperature is above 32°F (0°C).



To Defog and Defrost

To remove fog from the inside of the windows:

1. Set the fan to the desired speed or high for faster defrosting.
2. Select . When you select , the system automatically switches to Fresh Air mode and turns on the A/C. The A/C indicator will not come on in U.S. vehicles.
3. Set the temperature control dial or buttons so the airflow feels warm.
4. Select  to help clear the rear window.
5. To increase airflow to the windshield, close the side vents.

When you switch to another mode from , the A/C stays on. Press the A/C button to turn it off.

To Remove Exterior Frost or Ice From the Windows

1. Select . The system automatically switches to Fresh Air mode and turns on the A/C. The A/C ON indicator will not come on in U.S. vehicles.
2. Select .
3. Set the fan and temperature controls to maximum level.

To clear the windows faster, you can close the dashboard corner vents by rotating the wheel below it. This will send more warm air to the windshield defroster vents. Once the windshield is clear, select the fresh air mode to avoid fogging the windows.

For your safety, make sure you have a clear view through all the windows before driving.

Automatic Climate Control

The automatic climate control system adjusts the fan speed and airflow levels to maintain the interior temperature you select.

With Navigation System

In the AUTO mode, the vehicle's interior temperature is independently regulated for the driver and passenger. If the driver's side of the vehicle is getting too much sun, the system will adjust to a lower temperature.

- Press the AUTO button.
- *Without Navigation System:* Set the desired temperature by turning the Temperature Control dial. You will see AUTO in the system's display.
- *With Navigation System:* Set the desired temperature by pressing the ▲ to raise the temperature or ▼ to lower the temperature. The selected temperature will show in the upper display.

The system automatically selects the proper mix of conditioned and/or heated air to raise or lower the interior temperature to the temperature you selected.

If you set the temperature to its lowest limit, (Lo) or its highest limit, (Hi) the system runs at full cooling or heating only. It does not regulate the interior temperature.

In cold weather, the fan will not come on automatically until the heater starts to develop warm air.

Dual Temperature Control – When the indicator in the Dual button is on, the driver's side and passenger's side temperature can be controlled independently (see page 109).

Vents, Heating, and A/C

Manual Operation

You can manually select various functions of the automatic climate control system when it is in AUTO. All other features remain automatically controlled.

Without Navigation System

Making any manual selection causes the word AUTO in the display to go out.

With Navigation System

If you press the A/C button next to the display, the manual selections will show in the display. Making any manual selection causes the indicator in the AUTO button to turn off.

To Turn Everything Off

Press the OFF button. However, a lack of airflow can cause the windows to fog up. You should keep the fan on at all times so stale air and moisture do not build up in the interior and cause fogging.

If you press OFF, the Climate Control system shuts off completely.

- Keep the system completely off for short periods only.
- To keep stale air and mustiness from collecting, you should have the fan running at all times.

With Navigation System

When the Climate Control System is turned OFF, the temperature in the upper display will also turn off.

Dual Temperature Control

Without Navigation System


Your vehicle has two temperature control dials, one for the driver, and one for the front passenger.

With Navigation System

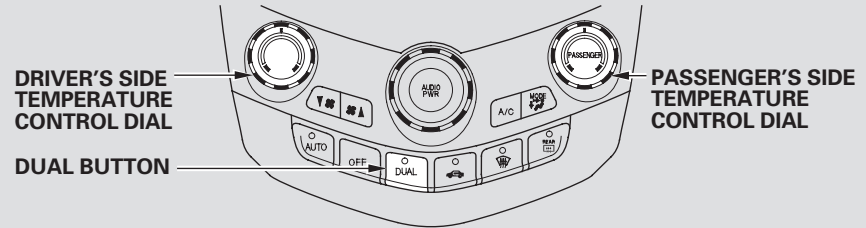
Your vehicle has four temperature control buttons, two for the driver, and two for the passenger.

The driver's side and the passenger's side can be controlled independently by adjusting these dials or buttons when the green indicator in the DUAL button is lit.

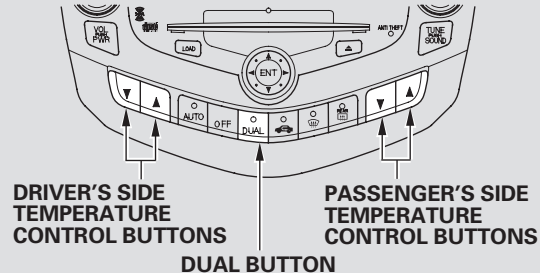
Temperature Control Dials/Buttons

Push AUTO or . The selected temperatures appear in the upper display. When the indicator in the DUAL button is off, you can adjust both sides to the same temperature by adjusting the driver's side temperature control dial or buttons.

Without Navigation System



With Navigation System

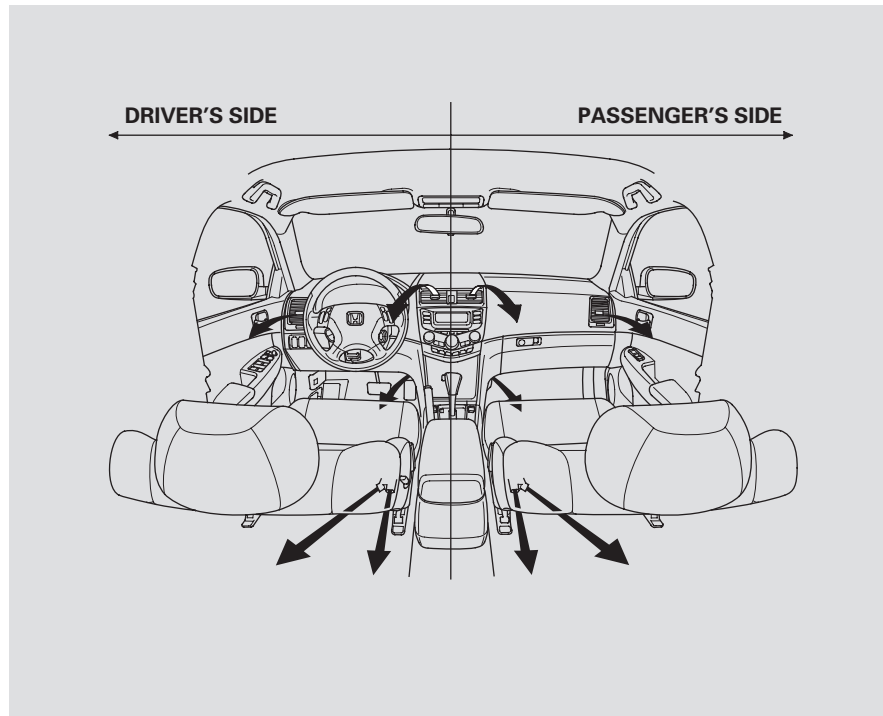


CONTINUED

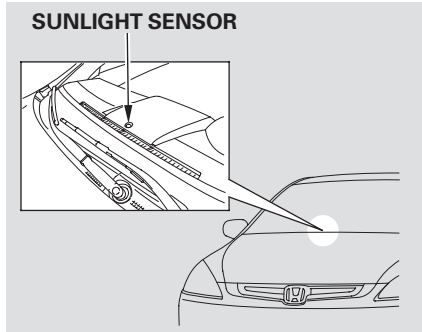
Dual Temperature Control

To set the driver's side temperature to a different value than the passenger's, press the DUAL button, then turn the driver's control dial or press the ▲ or ▼ buttons on the driver's side. To set the passenger's side to a different value than the driver's, turn the passenger's control dial or press the ▲ or ▼ buttons on the passenger's side. You can adjust the passenger's side without pressing the DUAL button first.

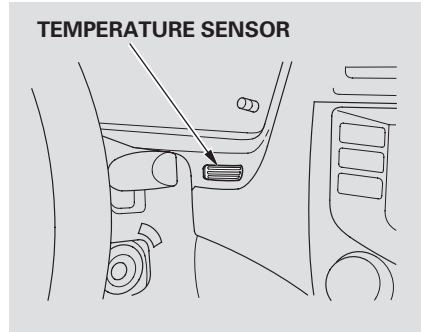
When you set the temperature to its lower limit or its upper limit, it will be displayed as **Hi** or **Lo**.



Sunlight Sensor/Temperature Sensor

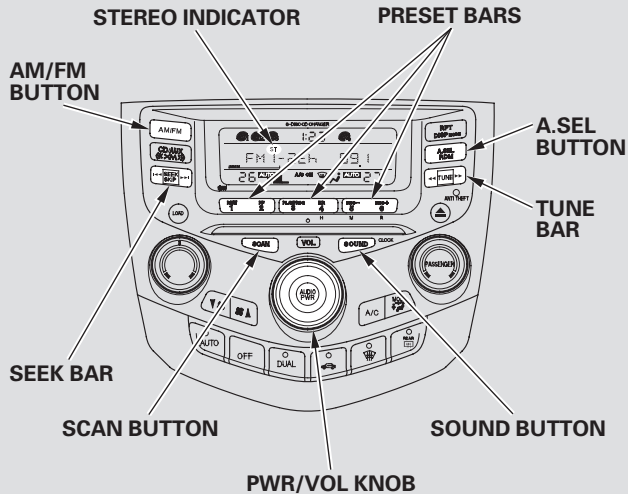


The climate control system has two sensors. A sunlight sensor is in the top of the dashboard, and a temperature sensor is next to the steering column. Do not cover the sensors or spill any liquid on them.

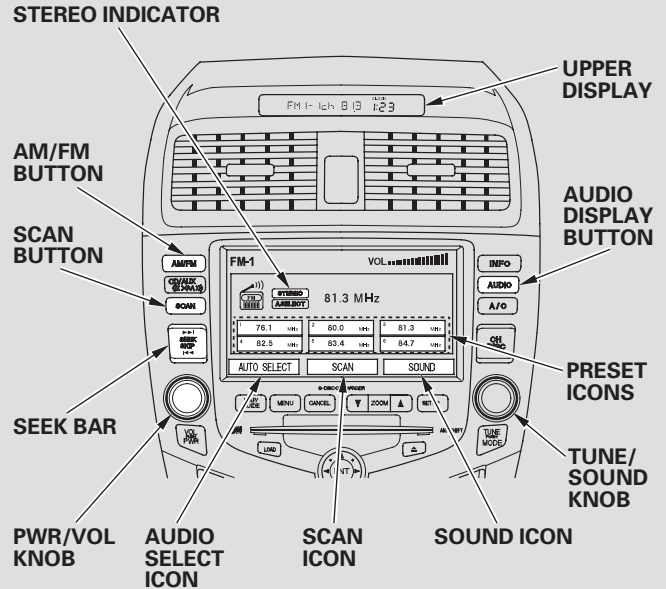


Playing the Radio

Without Navigation System



With Navigation System (U.S. Model Only)



To Play the Radio

The ignition switch must be in the ACCESSORY (I) or ON (II) position. Turn the system on by pushing the PWR/VOL knob or the AM/FM button. Adjust the volume by turning the PWR/VOL knob.

With Navigation System

Pushing the AUDIO DISPLAY button will also turn on the system.

The band and frequency that the radio was last tuned to is displayed. To change bands, press the AM/FM button. On the FM band, ST will be displayed if the station is broadcasting in stereo. Stereo reproduction on AM is not available.

XM Satellite Radio information is available on page [132](#).

To Select a Station

You can use any of five methods to find radio stations on the selected band: TUNE, SEEK, SCAN, AUTO SELECT, and the preset bars or icons.

TUNE — Use the TUNE bar or knob to tune the radio to a desired frequency. Press the ►► side of the bar or turn the knob to the right to tune to a higher frequency, and the ◀◀ side or turn the knob to the left to tune to a lower frequency.

SEEK — The SEEK function searches up and down from the current frequency to find a station with a strong signal. To activate it, press the ◀◀ or ►► side of the bar, then release it.

SCAN — The SCAN function samples all stations with strong signals on the selected band. To activate it, press the SCAN button, then release it. You will see SCAN in the display. The system will scan for a station with a strong signal. When it finds one, it will stop and play that station for about five seconds.

If you do nothing, the system will then scan for the next strong station and play it for five seconds. When it plays a station you want to listen to, press the SCAN button again.

Playing the Radio

Preset — Each preset bar or icon can store one frequency on AM, and two frequencies on FM.

1. Select the desired band, AM or FM. FM1 and FM2 let you store two frequencies with each preset bar or icon.
With Navigation System
Push the AUDIO DISPLAY button to view the preset icons.
2. Use the TUNE, SEEK, or SCAN function to tune the radio to a desired station.

3. Pick the preset number (1 — 6) you want for that station. Press the left or right side of the bar or icon and hold it until you hear a beep.
4. Repeat steps 1 through 3 to store a total of six stations on AM and twelve stations on FM.

The preset frequencies will be lost if your vehicle's battery goes dead, is disconnected, or the radio fuse is removed.

AUTO SELECT — If you are traveling far from home and can no longer receive your preset stations, you can use the auto select feature to find stations in the local area.

Press the A. SEL button or touch the Auto Select icon. A. SEL will flash in the display, and the system will go into scan mode for several seconds. It stores the frequencies of six AM, and twelve FM stations in the preset bars (1 – 6) or icons. You will see a “0” displayed after pressing a preset bar or icon if Auto Select cannot find a strong station for every preset bar or icon.

If you do not like the stations Auto Select has stored, you can store other frequencies on the preset bars or icons. Use the TUNE, SEEK, or SCAN function to find stations, then store them in the preset bars or icons as described previously.

To turn off Auto Select, press the A. SEL button or Auto Select icon. This restores the presets you originally set.

Playing the Radio

Adjusting the Sound

Press the SOUND button or icon, or press the TUNE knob repeatedly to display the Bass (BAS), Treble (TRE), Balance (BAL), and Fader (FAD) settings. On vehicles with navigation system, touch the SOUND icon or press the TUNE knob.

Balance/Fader — These two modes adjust the strength of the sound coming from each speaker. BAL adjusts the side-to-side strength, while FAD adjusts the front-to-back strength.

Treble/Bass — Use the TRE/BAS modes to adjust the tone to your liking.

With Navigation System

If you want to adjust the sound while the radio/CD is playing, push the AUDIO DISPLAY button, then touch the SOUND icon in the display.

Without Navigation System

Each mode is shown in the display as it changes. Turn the VOLUME knob or touch the icon to adjust the setting to your liking. When the level reaches the center, you will see “C” in the display.

With Navigation System

Touch the arrows next to the BAS or TRE icons. The adjustment shows you the current setting.

Touch the left or right bars on the sound grid. Balance is equalized when the vertical lines are centered on the grid.

Touch the front or rear bars on the sound grid. The fader is equalized when the horizontal lines are centered on the grid.

The system will automatically return the display to the selected audio mode about five seconds after you stop adjusting a mode. On vehicles with navigation system, touch the RETURN icon to go back to the audio screen.

Radio Frequencies

The radio can receive the complete AM and FM bands.

Those bands cover these frequencies:

AM band: 530 to 1,710 kilohertz

FM band: 87.7 to 107.9 megahertz

Radio stations on the AM band are assigned frequencies at least ten kilohertz apart (530, 540, 550).

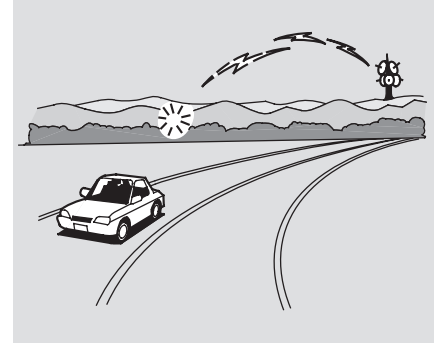
Stations on the FM band are assigned frequencies at least 0.2 megahertz apart (87.9, 88.1, 88.3).

Stations must use these exact frequencies. It is fairly common for stations to round-off the frequency in their advertising, so your radio could display a frequency of 100.9 even though the announcer may identify the station as “FM101.”

Radio Reception

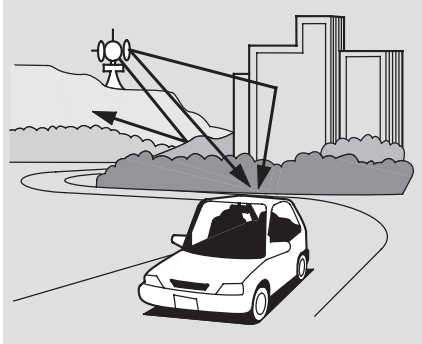
How well the radio receives stations is dependent on many factors, such as the distance from the station's transmitter, nearby large objects, and atmospheric conditions.

A radio station's signal gets weaker as you get farther away from its transmitter. If you are listening to an AM station, you will notice the sound volume becoming weaker and the station drifting in and out. If you are listening to an FM station, you will see the stereo indicator flickering off and on as the signal weakens. Eventually, the stereo indicator will go off and the sound will fade completely as you get out of range of the station's signal.



Driving very near the transmitter of a station that is broadcasting on a frequency close to the frequency of the station you are listening to can also affect your radio's reception. You may temporarily hear both stations, or hear only the station you are close to.

Playing the Radio



Radio signals, especially on the FM band, are deflected by large objects such as buildings and hills. Your radio then receives both the direct signal from the station's transmitter, and the deflected signal. This causes the sound to distort or flutter. This is a main cause of poor radio reception in city driving.



Radio reception can be affected by atmospheric conditions such as thunderstorms, high humidity, and even sunspots. You may be able to receive a distant radio station one day and not receive it the next day because of a change in conditions.

Electrical interference from passing vehicles and stationary sources can cause temporary reception problems.

*As required by the FCC:
Changes or modifications not expressly
approved by the party responsible for
compliance could void the user's
authority to operate the equipment.*

Playing a CD, CD Changer

To Play a CD

To load or play CDs, the ignition switch must be in the ACCESSORY (I) or ON (II) position.

You operate the CD player/CD changer with the same controls used for the radio. To select the CD player/CD changer, press the CD button. The number of the track playing is shown in the display. With the in-dash CD changer, the disc and track numbers are displayed. The system will continuously play a CD until you change modes.

Insert a CD into the CD slot. The drive will pull the CD in the rest of the way to play it. When the system reaches the end of the disc, it will return to the beginning and play the disc again.

To play the radio when a CD is playing, press the AM/FM button. Press the CD button again to switch back to the CD player.

For vehicles with Satellite Radio

To listen to satellite radio when a CD is playing, press the CD/AUX XM button.

To play the tape when a CD is playing, insert a tape in the player (optional). If a tape is in the player, press the AUX button. Press the CD button again to switch back to the CD player. The cassette player is optional on all U.S. models.

If you turn the system off while a CD is playing, either with the PWR/VOL knob or by turning off the ignition, the disc will stay in the drive. When you turn the system back on, the CD will begin playing where it left off.

For Vehicle with in-dash CD Changer

1. Press the LOAD button until you hear a beep and see “LOAD” in the display.
2. The disc number for an empty position is highlighted and the red light starts blinking.
3. Insert the disc into the CD slot when the green CD load indicator comes on. Insert it only about halfway; the drive will pull it in the rest of the way. You will see “BUSY” in the display as the CD load indicator turns red and blinks as the CD is loaded.
4. When the CD load indicator turns green and “LOAD” appears in the screen again, insert the next CD in the slot.
5. Repeat steps 1 through 3 until all six positions are loaded. If you are not loading all six positions, the system begins playing the last CD loaded.

You can also load a CD into an empty position while a CD is playing. Select the empty position (the disc number indicator is not highlighted) and press the appropriate preset bar or touch a disc icon. The current CD stops playing and starts the loading sequence. The CD just loaded will play.

You operate the CD changer with the same controls used for the radio. The numbers of the disc and track playing are shown in the display. On vehicles with navigation system, these numbers also appear in the upper display.

On vehicles with in-dash CD changer

To select a different disc, press the appropriate side of a preset bar (1–6) or use the Preset 5 (DISC –) to select the previous disc or Preset 6 (DISC +) to select the next disc in sequence. On vehicles with navigation system, touch the appropriate disc icon or press the ▲ or ▼ side of the CH/DISC bar. If you select an empty position in the CD changer, the system will try to load the CD in the next available slot.

Playing a CD, CD Changer

Without Navigation System

SEEK/SKIP – Push the ►►| to play the next track on the disc. Push the |◄◄ once to replay the track in play, press twice to replay the previous track.

To remove rapidly within a track, press and hold the |◄◄, or the ►►| button.

REPEAT – Press to continuously replay a track. You will see RPT in the display. Press the RPT button again to turn it off.

RANDOM – Press to play the tracks in random order. You will see RDM in the display. Press the RDM button again to return to normal play.

SCAN – The SCAN function samples all the tracks on the selected disc in the order they are recorded. To activate it, press and release the SCAN button. You will see SCAN in the display, and you will get a 10 second sampling of each track on the selected CD. Press the SCAN button again to get out of the system.

With Navigation System

To use the controls, press the AUDIO DISPLAY button, the control icons will appear on the screen.

TRACK SCAN – Press the icon or SCAN button, to get a 10 second sampling of each track on the current CD. Press the icon or button again to turn it off.

DISC SCAN – Touch to get a 10 second sampling of the first song of each disc in the CD changer. Touch the icon again to turn it off.


TRACK RPT – Touch to continuously play the same song on the CD. Press the icon again to stop the function.

DISC RPT — Touch the icon to continuously replay the current CD. Touch again to turn it off.

TRACK RDM — Touch the icon to play the current CD in random order. Touch again to stop.

CH DISC — Selects an icon and plays the disc.

To Stop Playing a CD

On models with CD player or changer
Press the eject button () to remove the CD. If you eject the CD, but do not remove it from the slot, the system will automatically reload the CD after 15 seconds and put it in pause mode. To begin playing, press the CD button.

Press the AM/FM or XM/CD button to switch to the radio or satellite radio while a CD is playing. Press the CD button again to play the CD.

If a tape is in the optional tape player, press the AUX button to switch to the tape while a CD is playing. Press the CD button again to switch back to the CD player.

If you turn the system off while a CD is playing, the CD will stay in the drive. When you turn the system back on, the CD will begin playing where it left off.

Removing CDs from the Changer
To remove the disc currently playing, press the EJECT button. When a disc is removed from a slot, the system automatically begins the load sequence so you can load another CD in that position. If you do not remove the disc from the changer within 15 seconds, the system returns to the previous mode (AM/FM or satellite radio). The disc will reload into the system and will remain there in a pause mode.

To remove a different disc from the changer, first select it with the appropriate preset bar or icon. When that CD begins playing, press the eject button. Continue pressing the EJECT button to remove all the discs from the changer.

Playing a CD, CD Changer

Operating the Optional CD Changer

An optional six or eight disc CD changer is available for your vehicle from your dealer.

This disc changer uses the same controls used for the in-dash CD player/changer or the radio.

Load the desired CDs in the magazine, and load the magazine in the changer according to the instructions that came with the unit.

To select the CD changer, press the CD button. The disc and track numbers will be displayed. To select a different disc, use Preset 5 (DISC -), for a previous disc; or Preset 6 (DISC +), to select the next disc in sequence.

If you select an empty slot in the magazine, the changer will search for the next available CD to load and play.

If there are no CDs in the changer, the display will flash, and you will have to select another mode.

CD Player Error Messages

If you see an error message in the display while playing a CD, find the cause in the chart to the right. If you cannot clear the error message, take the vehicle to your dealer.

Error Message	Cause	Solution
CD DISC or CD DISC ERROR	FOCUS Error	Press the eject button and pull out the disc. Check if the disc is inserted correctly in the CD player. Make sure the disc is not scratched or damaged.
CD ERR or CD MECHA ERROR	Mechanical Error	Press the eject button and pull out the disc. Check the disc for damage or deformation. If the CD cannot be pulled out or the error indication does not disappear after the disc is ejected, see your dealer. Do not try to force the disc out of the player.
CD HOT	High Temperature	Will disappear when the temperature returns to normal.

CD Changer Error Messages

If you see an error message in the display while playing a CD, find the cause in the chart to the right. If you cannot clear the error message, take the vehicle to your dealer.

Error Message	Cause	Solution
CD DISC	FOCUS Error	Press the CD eject button and pull out the CDs. Check for an error indication. Insert the CDs again. If the code does not disappear or the CDs cannot be pulled out, consult your dealer.
CD ERR	Mechanical Error	Press the CD eject button and pull out the CDs. Check for an error indication. Insert the CDs again. If the code does not disappear or the CDs cannot be pulled out, consult your dealer.
CD EJECT	No CD in the CD Changer	Insert CDs.
CD HOT	High Temperature	Will disappear when the temperature returns to normal.

General Information

- When using CD-R discs, use only high quality CDs labeled for audio use.
- When recording a CD-R, the recording must be closed for it to be used by the system.
- CD-RW discs will not work in this unit.
- Play only standard round CDs. Odd-shaped CDs may jam in the drive or cause other problems.
- Handle your CDs properly to prevent damage and skipping. See this page.

Protecting CDs

When a CD is not being played, store it in its case to protect it from dust and other contamination. To prevent warpage, keep CDs out of direct sunlight and extreme heat.

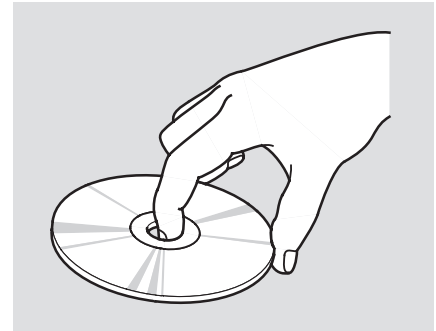
To clean a CD, use a clean soft cloth. Wipe across the CD from the center to the outside edge.

A new CD may be rough on the inner and outer edges. The small plastic pieces causing this roughness can flake off and fall on the recording surface of the CD, causing skipping or other problems. Remove these pieces by rubbing the inner and outer edges with the side of a pencil or pen.

Never try to insert foreign objects in the CD player or the magazine.

NOTICE

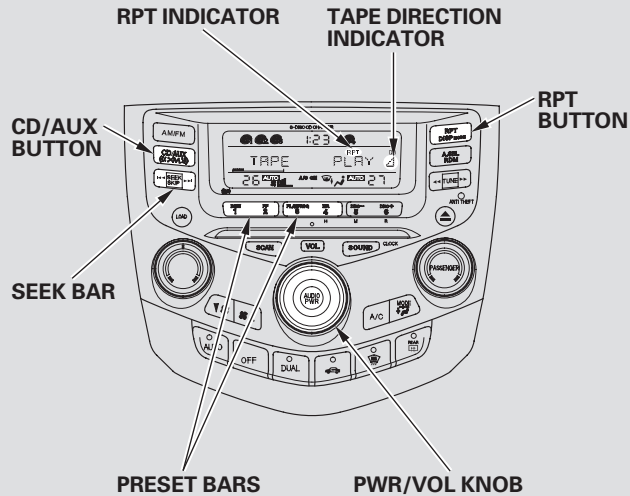
Do not use discs with adhesive labels. The label can curl up and cause the disc to jam in the unit.



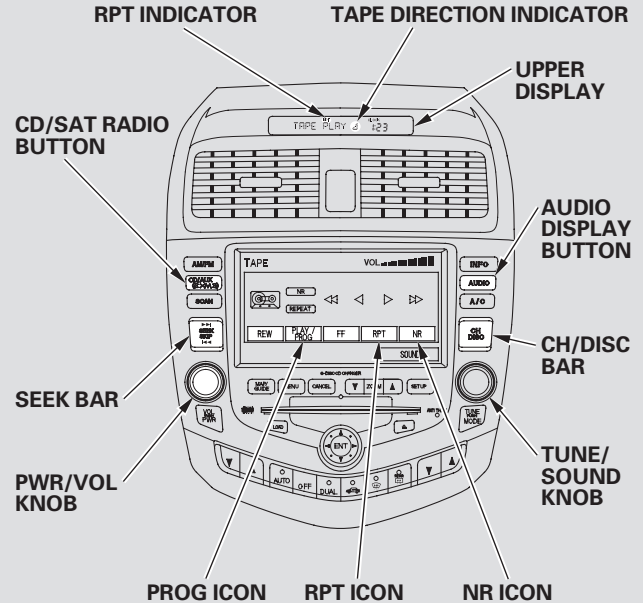
Handle a CD by its edges; never touch either surface. Do not place stabilizer rings or labels on the CD. These, along with contamination from fingerprints, liquids, and felt-tip pens, can cause the CD to not play properly, or possibly jam in the drive.

Playing a Tape (U.S. Vehicles)

Without Navigation System



With Navigation System




To Play a Tape

Optional on all U.S. models

The ignition switch must be in ACCESSORY (I) or ON (II). Make sure the open side of the tape is facing right, then insert the tape most of the way into the slot. The system will pull the tape in the rest of the way, and begin to play it.

The tape direction indicator will light to show you which side of the tape is playing. The ▲ indicates the side you inserted upward in now playing. If you want to play the other side, press the Preset 3 (PLAY/PROG) side of the preset bar or press the AUDIO DISPLAY button and touch the PROG icon. When the player reaches the end of the tape, it will automatically reverse direction and play the other side.

Dolby* noise reduction turns on when you insert a tape. The  indicator will light in the display. If the tape was not recorded in Dolby, turn it off by pressing the Preset 4 (NR) side of the preset bar or touching the NR icon. Dolby remains off until you press the preset bar or the icon again.

*Dolby noise reduction manufactured under license from Dolby laboratories licensing Corporation. “Dolby” and the double-D symbol are trademarks of the Dolby Laboratories Licensing Corporation.

To Stop Playing a Tape

To remove the tape, press the EJECT button on the cassette player. If you want to turn the player off, press the PWR/VOL knob or turn off the ignition. The tape will remain in the drive.

When you turn the system back on, the tape player will be in pause mode. Press the Preset 3 (PLAY/PROG) side of the preset bar or touch the PROG icon on vehicles with navigation system to resume play.

To switch to the radio or CD player while a tape is playing, press the AM/FM, or CD/AUX button or CD/AUX XM button. To change back to the tape player, push the CD/AUX button or CD/AUX XM button.

Playing a Tape (U.S. Vehicles)

Tape Search Functions

FF/REW – To rewind the tape, push the Preset 1 (REW) side of the preset bar or the upper side (▲) of the CH DISC bar. You will see REW in the display. To fast forward the tape, push the Preset 2 (FF) side of the preset bar. You will see FF displayed. Press the Preset 1, 2, or 3 side of the bars or the lower side (▼) of the CH DISC bar to take the system out of rewind or fast forward.

With Navigation System

FF/REW – To rewind the tape push the upper side (▲) of the CH DISC bar. To fast forward the tape, push the lower side (▼) of the CH DISC bar. Press either side of the PROG icon in the audio display to take the system out of rewind or fast forward.

SKIP – Press the ◀◀ side to find the beginning of the current song or passage. Press the ▶▶ side to find the beginning of the next song or passage. When the system reaches the beginning of a song or passage, it begins to play it.

REPEAT – Press the RPT button or icon to continuously play a song or passage. You will see RPT displayed. The track will repeat until you press the RPT button or icon again.

NOTE: The SKIP and REPEAT functions use silent periods on the tape to find the end of a song or passage. These features may not work if there is almost no gap between selections, a high noise level, or a silent period in the middle of a selection.

With Navigation System

If you see the error message “~~TAP E~~ ERR” on the display, press the tape eject button to remove the tape from the unit. Make sure the tape is not damaged. If the tape will not eject or the error message stays on after the tape ejects, take your vehicle to your dealer.

Caring for the Tape and Player

The tape player picks up dirt and oxides from the tape. This contamination builds up over time and causes the sound quality to degrade. To prevent this, you should clean the player after every 30 hours of use.

If you do not clean the tape player regularly, it may eventually become impossible to remove the contamination with a normal cleaning kit. Your dealer has a cleaning kit available.

Use 100-minute or shorter tapes. Tapes longer than that may break or jam the drive.

If the tape is loose, tighten it by turning the hub with a pencil or your finger. If the label is peeling off, remove it or it could cause the tape to jam in the player. Never try to insert a warped or damaged tape in the player.

Store tapes in their cases to protect them from dust and moisture. Never place tapes where they will be exposed to direct sunlight, high heat, or high humidity. If a tape is exposed to extreme heat or cold, let it reach a moderate temperature before inserting it into the player.

Never try to insert foreign objects into the tape player.

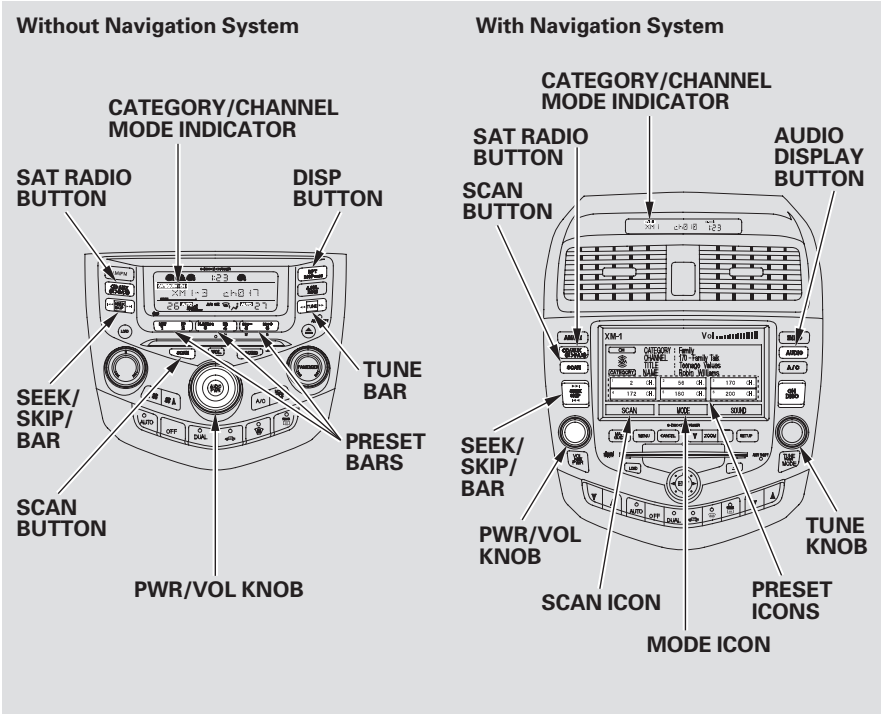
Playing the XM™ Satellite Radio

Satellite Digital Radio

Your vehicle is capable of receiving XM™ Satellite Radio anywhere in the United States except Hawaii, Alaska, and Canada.

XM® is a registered trademark of XM Satellite Radio, Inc.

Satellite radio is available in U.S. models only.



To Play XM™ Satellite Radio

The ignition must be in the ACCESSORY (I) or ON (II) position. Turn the system on:

With Navigation System

Push any of the following: PWR/VOL knob, the CD/AUX XM, or AUDIO button.

Without Navigation System

Push any of the following: PWR/VOL knob or the CD/AUX XM button.

Turn the PWR/VOL knob to adjust the volume.

To Select a Channel

When in the satellite radio mode, you can use any of three methods to find channels: TUNE, SEEK/SKIP (CATEGORY), and SCAN.

DISP —

With Navigation System

Press and release this button to change the display. The display will change in the following sequence: channel name, channel number, category, artist name, and music title.

TUNE —

With Navigation System

Turn the TUNE knob to change channels. Turn the knob right for higher numbered channels and left for lower numbered channels.

Without Navigation System

Press the TUNE bar to change channel selections. Press ►► for higher numbered channels and ◀◀ for lower numbered channels.

Playing the XM™ Satellite Radio

SEEK/SKIP (CATEGORY)— The seek/skip function selects the various categories in XM, such as Jazz/Blues, Rock, Classical, etc. Push the ►► to change the category forward. Push the ◀◀ to change the category backward. To search for channels within a category, turn the TUNE knob clockwise or press the TUNE bar ►► .

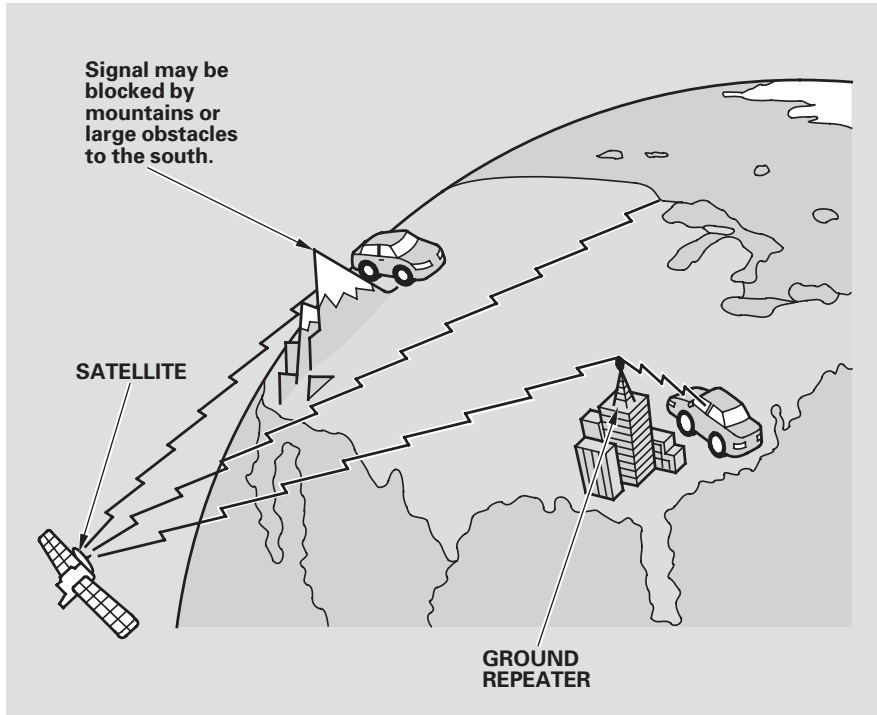
SCAN — The scan function samples all channels for 5 seconds. To activate the function, push the SCAN button. Push it again to get out of the sequence.

Preset — Each preset icon or button can store one channel in XM1 and one in XM2.

1. Push the CD/AUX XM button. (You will see XM1 or XM2.)
2. Use the TUNE, SEEK or SCAN function to tune the radio to a desired channel.
3. Pick a preset icon or button and hold it until you hear a beep.
4. Repeat steps 1 to 3 to store a total of six stations on XM1 and XM2.

With Navigation System

Once your XM channels are preset, pressing the CH DISC button will select your preset channels.



Satellite Radio Signals

Satellite radio receives signals from two satellites to produce clear, high-quality digital reception. It offers many channels in several categories. Along with a large selection of different types of music, satellite radio also allows you to view channel and category selections in the audio display.

The XM satellites are in orbit over the equator; therefore, objects south of the vehicle may cause satellite reception interruptions. To help compensate for this, ground-based repeaters are placed in major metropolitan areas. Satellite signals are more likely to be blocked by tall buildings and mountains the farther north you travel from the equator.

Playing the XM™ Satellite Radio

Depending on where you drive, you may experience reception problems. Interference can be caused by any of these conditions:

- Driving on an east/west road with a mountain on the south side of the road.
- Driving on the north side of a large commercial truck on an east/west road.
- Driving in the tunnels.
- Driving on a road beside a vertical wall, steep cliff, or hill to the south of you.
- Driving on the lower level of a multi-tiered road.
- Driving on a single lane road alongside dense trees taller than 50 ft. (15 m) to the south of you.

There may be other geographic situations that could affect satellite radio reception.

*As required by the FCC:
Changes or modifications not expressly approved by the party responsible for compliance could void the user's authority to operate the equipment.*

Receiving Satellite Radio Service

If your XM Radio service has expired or you purchased your vehicle from a previous owner, you can listen to a sampling of the broadcasts available on XM Satellite Radio. With the ignition switch in the ACCESSORY (I) or ON (II) position, push the PWR/VOL knob to turn on the audio system and press the CD/AUX XM button. A variety of music types and styles will play.

If you decide to purchase XM Satellite Radio service, contact XM Radio at www.xmradio.com, or at 1-800-852-9696. You will need to give them your radio I.D. number and your credit card number.

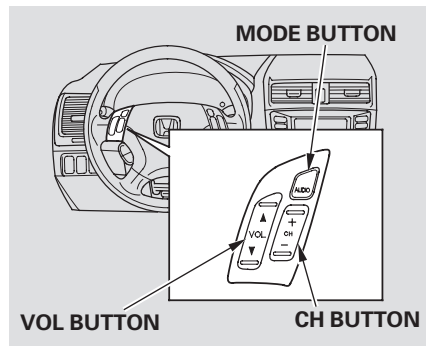
To get your XM Satellite radio ID number:

Turn the TUNE knob until “0” appears in the display. Your I.D. will appear in the display.

After you have registered with XM Radio, keep your audio system in the SAT Radio mode while you await activation. This should take about 30 minutes.

While awaiting activation, make sure your vehicle remains in an open area with good reception. Once your audio system is activated, “category” or “CH” will appear in the display and you will be able to listen to XM Radio broadcasts. XM Radio will continue to send an activation signal to your vehicle for at least 12 hours from activation request. If the service has not been activated after 36 hours, contact XM Radio.

Steering Wheel Controls



Three controls for the audio system are mounted in the steering wheel hub. These let you control basic functions without removing your hand from the wheel.

The VOL button adjusts the volume up (▲) or down (▼). Press the top or bottom of the button and hold it until the desired volume is reached, then release it.

The MODE button changes the mode. Pressing the button repeatedly selects FM1, FM2, AM, XM1, XM2, CD, or a tape.

If you are listening to the radio, use the CH button to change stations. Each time you press the top (+) of the button, the system goes to the next preset station on the band you are listening to. Press the bottom (–) to go back to the previous station.

If you are playing a CD, the system skips to the beginning of the next track each time you press the top (+) of the CH button. Press the bottom (–) to return to the beginning of the current track. Press it twice to return to the previous track. You will see the disc and track numbers in the display.

If you are playing a tape in the optional tape player, press the top (+) of the CH button to advance to the next selection. Press the bottom (–) to go back to the previous selection. The system senses a silent period, then resumes playing.

Your vehicle's audio system will disable itself if it is disconnected from electrical power for any reason. To make it work again, you must enter a specific five-digit code using the preset bars or the TUNE knob. Because there are hundreds of number combinations possible from the five-digit, making the system work without knowing the exact code is nearly impossible.

You should have received a card that lists your audio system code number and serial number. It is best to store this card in a safe place at home. In addition, you should write the audio system's serial number in this owner's manual.

If you lose the card, you must obtain the code number from a dealer. To do this, you will need the system's serial number.

If your vehicle's battery is disconnected or goes dead, the audio system will disable itself. If this happens, you will see "CODE" in the frequency display the next time you turn on the system. Use the preset buttons to enter the five-digit code. The code is on the radio code card included in your Owner's Manual kit. When it is entered correctly, the radio will start playing.

If your vehicle is equipped with a navigation system, press and release the TUNE knob; the number "0" appears on the display.

If "0" is the first digit in your code, press and release the TUNE knob to store it.

If "0" is not the first digit in your code, turn the TUNE knob left or right until the first digit is displayed. Press and release the TUNE knob to store it. Enter the remaining three

digits the same way.

If you make a mistake entering the code, do not start over; complete the five-digit sequence, then enter the correct code. You have ten tries to enter the correct code. If you are unsuccessful in ten attempts, you must then leave the system on for 1 hour before trying again.

If the code card is lost, a dealer can access your code with the your radio's serial number. To access the serial number, turn the radio on. It must display "CODE", then turn the radio off. Push the preset 1, preset 6, and power buttons at the same time, then quickly release.

You will have to store your favorite stations on each side of the preset bars (1 – 6) after the system begins working. Your original settings were lost when power was disconnected.

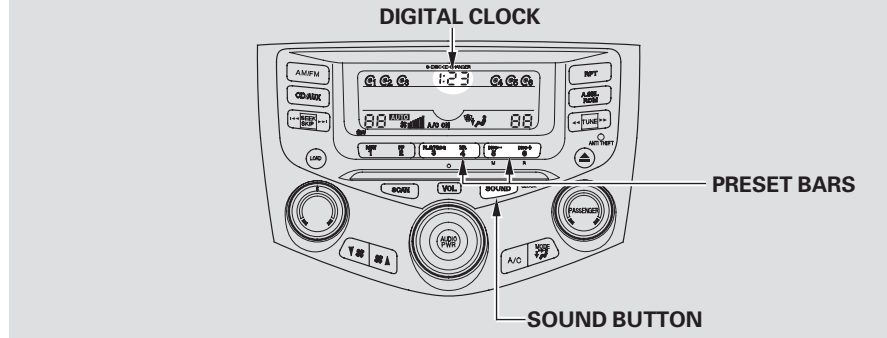
Setting the Clock

Without Navigation System

If your vehicle's battery is disconnected or goes dead, you will need to set the clock.

Press and hold the SOUND button until you hear a beep. The displayed time begins to blink. Press on the H (Preset 4) side of the bar until the numbers advance to the desired time. Change the minutes by pressing the M (Preset 5) side of the bar until the numbers advance to the desired time. When you are finished, press the SOUND button again to set the time.

Without Navigation System shown



You can quickly set the time to the nearest hour. Pressing and holding the SOUND button, then pressing the R (Preset 6) side of the bar sets the clock back to the previous hour. If the displayed time is after the half hour, the clock sets the clock forward to the beginning of the next hour.

For example:

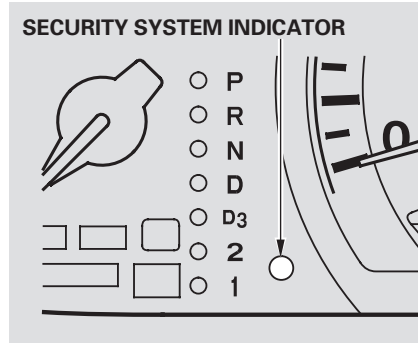
- 1:06 would RESET to 1:00.
- 1:52 would RESET to 2:00.

With Navigation System

Refer to the Navigation System Owner's Manual to set up the time.

The security system helps to protect your vehicle and valuables from theft. The horn sounds and a combination of headlights, parking lights, side marker lights and taillights flashes if someone attempts to break into your vehicle or remove the radio. This alarm continues for two minutes, then the system resets. To reset an alarming system before the two minutes have elapsed, unlock either front door with the key or the remote transmitter.

The security system automatically sets 15 seconds after you lock the doors, hood, and trunk. For the system to activate, you must lock the doors from the outside with the key, lock tab, door lock switch, or remote transmitter. The security system light on the instrument panel starts blinking immediately to show you the system is setting itself.



Once the security system is set, opening any door (without using the key or the remote transmitter), the hood, or the trunk will cause it to sound. It also sounds if the radio is removed from the dashboard or the wiring is cut.

With the system set, you can still open the trunk with the master key or the remote transmitter without triggering the alarm. The alarm will sound if the trunk lock is forced, or the trunk is opened with the trunk release handle.

The security system will not set if the hood, trunk, or any door is not fully closed. If the system will not set, check the Door Monitor on the instrument panel (see page 57), to see if the doors and trunk are fully closed. Since it is not part of the monitor display, manually check the hood.

Do not attempt to alter this system or add other devices to it.

Cruise Control

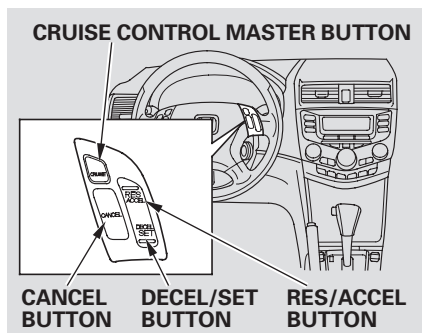
Cruise control allows you to maintain a set speed above 25 mph (40 km/h) without keeping your foot on the accelerator pedal. It should be used for cruising on straight, open highways. It is not recommended for city driving, winding roads, slippery roads, heavy rain, or bad weather.

⚠ WARNING

Improper use of the cruise control can lead to a crash.

Use the cruise control only when traveling on open highways in good weather.

Using the Cruise Control



1. Push in the Cruise Control Master Button on the steering wheel. The CRUISE MAIN light on the instrument panel comes on.
2. Accelerate to the desired cruising speed above 25 mph (40 km/h).

3. Press and release the DECEL/SET button on the steering wheel. The CRUISE CONTROL light on the instrument panel comes on to show the system is now activated.

The cruise control may not hold the set speed when you are going up and down hills. If your speed increases going down a hill, use the brakes to slow down. This will cancel the cruise control. To resume the set speed, press the RES/ACCEL button. The CRUISE CONTROL light on the instrument panel will come back on.

Changing the Set Speed

You can increase the set cruising speed in any of these ways:

- Press and hold the RES/ACCEL button. When you reach the desired cruising speed, release the button.

- Push on the accelerator pedal. Accelerate to the desired cruising speed and press the DECEL/SET button.
- To increase the speed in very small amounts, tap the RES/ACCEL button. Each time you do this, your vehicle will speed up about 1 mph (1.6 km/h).

You can decrease the set cruising speed in any of these ways:

- Press and hold the DECEL/SET button. Release the button when you reach the desired speed.
- To slow down in very small amounts, tap the DECEL/SET button repeatedly. Each time you do this, your vehicle will slow down about 1 mph (1.6 km/h).

- Tap the brake or clutch pedal lightly with your foot. The CRUISE CONTROL light on the instrument panel will go out. When the car slows to the desired speed, press the DECEL/SET button.

Even with the cruise control turned on, you can still use the accelerator pedal to speed up for passing. After completing the pass, take your foot off the accelerator pedal. The vehicle will return to the set cruising speed.

Resting your foot on the brake pedal causes cruise control to cancel.

Cruise Control

Cancelling Cruise Control

You can cancel cruise control in any of these ways:

- Tap the brake pedal.
- Push the CANCEL button on the steering wheel.
- Push the cruise control master button.

Resuming the Set Speed

When you push the CANCEL button, or tap the brake pedal, the system will remember the previously set cruising speed. To return to that speed, accelerate to above 25 mph (40 km/h) and then press and release the RESUME/accel button. The CRUISE CONTROL indicator comes on. The vehicle will accelerate to the same cruising speed as before.

Pressing the Cruise Control Master Button turns the system off and erases the previous cruising speed.

If Your Vehicle Has HomeLink Universal Transceiver

The HomeLink® Universal Transceiver built into your vehicle can be programmed to operate up to three remote controlled devices around your home, such as garage doors, lighting, or home security systems.

General Information

If you are training HomeLink to operate a garage door or gate, you should unplug the motor for that device during training. Repeatedly pressing the remote control button could burn out the motor.

HomeLink® is a registered trademark of Johnson Controls™.

HomeLink stores the code in a permanent memory. There should be no need to retrain HomeLink if your vehicle's battery goes dead or is disconnected.

If your garage door opener was manufactured before April 1982, you may not be able to program HomeLink Universal Transceiver to operate it. They do not have a safety feature that causes the motor to stop and reverse if an obstacle is detected during closing, increasing the risk of injury.

Important Safety Precautions

Always refer to the opening instructions and safety information that came with your garage door opener or other equipment you intend to operate with HomeLink. If you do not have this information, contact the manufacturer of the equipment.

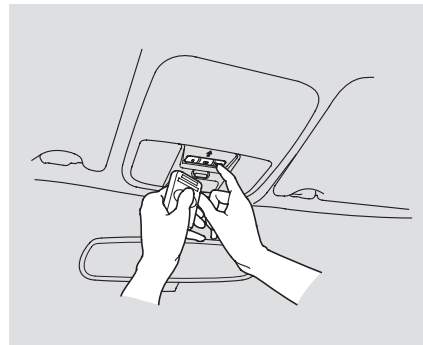
HomeLink Universal Transceiver

Training HomeLink

Before you begin – If you just received your vehicle and have not trained any of the buttons in HomeLink before, you should erase any previously learned codes before training the first button. To do this, press and hold the two outside buttons on the HomeLink Transceiver for about 20 seconds, or until the red indicator flashes. Release the buttons, then go to step 1.

If you are training the second or third buttons, go directly to step 1.

1. Unplug the garage door opener motor from the house current.
2. Hold the end of the garage door opener remote control 2 to 5 inches from HomeLink. Make sure you are not blocking your view of the red indicator in HomeLink.



3. Press and hold the remote control button and one of the HomeLink buttons at the same time.

Canadian Owners: The remote control you are training from may stop transmitting after 2 seconds. This is not enough for HomeLink to learn the code. Release and press the button on the remote control every 2 seconds until HomeLink has learned the code.

4. The red indicator in HomeLink should begin flashing. It will flash slowly at first, then rapidly.
5. When the red indicator flashes rapidly, release both buttons. HomeLink should have learned the code from the remote control.
6. Plug in the garage door opener motor, then test the HomeLink button by pushing it.

If the button does not work, repeat this procedure to train it again. If it still does not work, you may have a variable or rolling code garage door opener. See if you do by pressing and holding the HomeLink button you just trained. If the red indicator blinks for 2 seconds, then stays on, you have a rolling code garage door opener. Go to “Training With a Rolling Code System”.

7. Repeat these steps to train the other two HomeLink buttons to operate any other remotely-controlled devices around your home (lighting, automatic gate, security system, etc.).

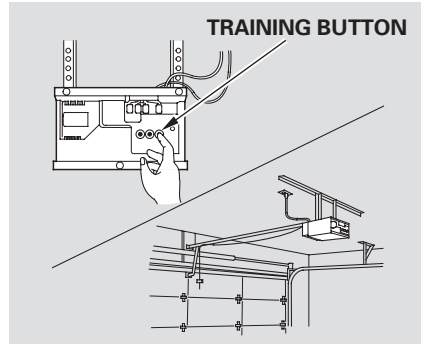
Training With a Rolling Code System

For security purposes, newer garage door opening systems use a “rolling” or variable code. Information from the remote control and the garage door opener are needed before HomeLink can operate the garage door opener.

The “Training HomeLink” procedure trains HomeLink to the proper garage door opener code. The following procedure synchronizes HomeLink to the garage door opener so it sends and receives the correct codes.

HomeLink Universal Transceiver

1. Make sure you have properly completed the “Training HomeLink” procedure.
2. Find the “Training” button on your garage door opener unit. The location will vary, depending on the manufacturer.



3. Press the training button on the garage door opener unit until the indicator next to the button comes on, then release it. The indicator may blink, or come on and stay on. You then have approximately 30 seconds to complete the following steps.

4. Press and hold the button on HomeLink for 3 to 4 seconds.
5. Press and hold the HomeLink button again for 3 to 4 seconds. This should turn off the training indicator on the garage door opener unit. (Some systems may require you to press the button up to three times.)
6. Press the HomeLink button again. It should operate the garage door.

Erasing Codes

To erase the codes stored in all three buttons, press and hold the two outside buttons until the red light begins to flash, then release the buttons.

You should erase all three codes before selling the vehicle.

Retraining a Button

To train an already programmed HomeLink button with a new device, you do not have to erase all the memory. Train the selected button over the existing memory code following the steps under “**Training HomeLink**”.

Customer Assistance

If you have problems with training the HomeLink Wireless Control System, or would like information on home products that can be operated by HomeLink, call (800) 355-3515. On the Internet, go to www.homelink.com.

HomeLink® is a registered trademark of Johnson Controls, Inc.

As required by the FCC:

This device complies with Part 15 of the FCC rules. Operation is subject to the following two conditions: (1) This device may not cause harmful interference, and (2) this device must accept any interference received, including interference that may cause undesired operation.

Changes or modifications not expressly approved by the party responsible for compliance could void the user's authority to operate the equipment.

This device complies with Industry Canada Standard RSS-210. Operation is subject to the following two conditions: (1) this device may not cause interference, and (2) this device must accept any interference that may cause undesired operation of the device.

Before you begin driving your vehicle, you should know what gasoline to use and how to check the levels of important fluids. You also need to know how to properly store luggage or packages. The information in this section will help you. If you plan to add any accessories to your vehicle, please read the information in this section first.

Break-in Period	152
Fuel Recommendation	152
Service Station Procedures	153
Refueling.....	153
Opening and Closing the	
Hood.....	154
Oil Check	155
Engine Coolant Check	156
Fuel Economy	157
Improving Fuel Economy	157
Accessories and Modifications	158
Accessories.....	158
Modifying Your Vehicle.....	159
Additional Safety Precautions..	159
Carrying Cargo	160
Load Limits.....	161
Carrying Cargo in the Trunk	
or on a Roof Rack	162
Carrying Items in the	
Passenger Compartment	162

Break-in Period, Fuel Recommendation

Break-in Period

Help assure your vehicle's future reliability and performance by paying extra attention to how you drive during the first 600 miles (1,000 km). During this period:

- Avoid full-throttle starts and rapid acceleration.
- Do not change the oil until the scheduled maintenance time.
- Avoid hard braking for the first 200 miles (300 km).
- Do not tow a trailer.

You should also follow these recommendations with an overhauled or exchanged engine, or when the brakes are replaced.

Fuel Recommendation

Your vehicle is designed to operate on unleaded gasoline with a pump octane number of 86 or higher. Use of a lower octane gasoline can cause a persistent, heavy metallic rapping noise that can lead to engine damage.

We recommend quality gasoline containing detergent additives that help prevent fuel system and engine deposits.

In addition, in order to maintain good performance, fuel economy, and emissions control, we strongly recommend, in areas where it is available, the use of gasoline that does NOT contain manganese-based fuel additives such as MMT.

Use of gasoline with these additives may adversely affect performance, and cause the malfunction indicator lamp on your instrument panel to come on. If this happens, contact

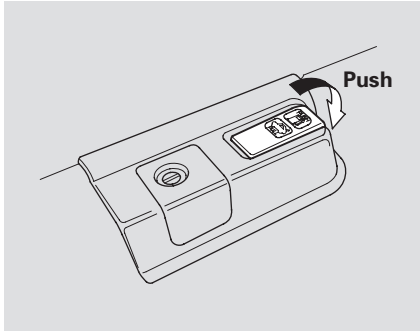
your authorized dealer for service.

Some gasoline today is blended with oxygenates such as ethanol or MTBE. Your vehicle is designed to operate on oxygenated gasoline containing up to 10 percent ethanol by volume and up to 15 percent MTBE by volume. Do not use gasoline containing methanol.

If you notice any undesirable operating symptoms, try another service station or switch to another brand of gasoline.

For further important fuel-related information, please refer to your **Quick Start Guide**.

Refueling

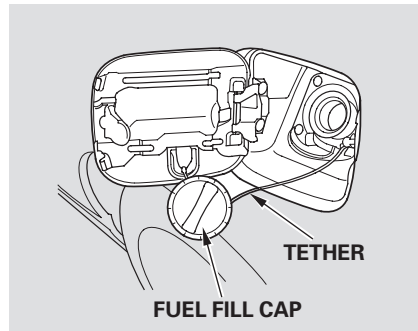


1. Park with the driver's side closest to the gas pump.
2. To open the fuel fill door, push down on the lever located to the left of the driver's seat.

⚠ WARNING

Gasoline is highly flammable and explosive. You can be burned or seriously injured when handling fuel.

- Stop the engine, and keep heat, sparks, and flames away.
- Handle fuel only outdoors.
- Wipe up spills immediately.



3. Remove the fuel fill cap slowly. You may hear a hissing sound as pressure inside the tank escapes. The fuel fill cap is attached to the fuel filler with a tether. Put the attachment on the fuel fill cap into the slit on the fuel fill door.
4. Stop filling the tank after the fuel nozzle automatically clicks off. Do not try to "top off" the tank. Leave some room for the fuel to expand with temperature changes.

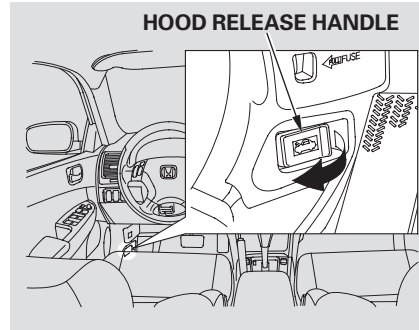
If the fuel nozzle keeps clicking off even though the tank is not full, there may be a problem with your vehicle's fuel vapor recovery system. The system helps keep fuel vapors from going into the atmosphere. Try filling at another pump. If this does not fix the problem, consult your dealer.

CONTINUED

Service Station Procedure

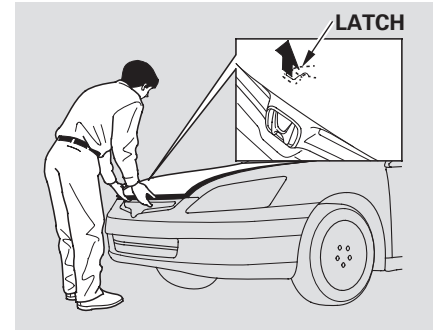
5. Screw the fuel fill cap back on until it clicks at least three times. If you do not properly tighten the cap, the Malfunction Indicator Lamp may come on (see page 247).
6. Push the fuel fill door closed until it latches.

Opening and Closing the Hood



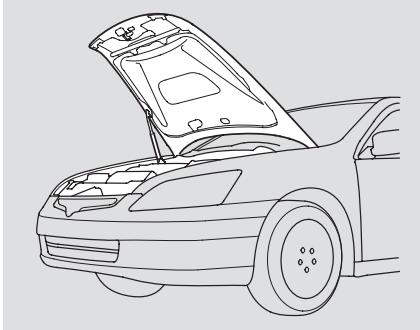
To Open the Hood:

1. Park the vehicle, and set the parking brake. Pull the hood release handle located under the lower left corner of the dashboard. The hood will pop up slightly.



2. Put your fingers under the front edge of the hood near the center. Slide your hand to the left until you feel the hood latch handle. Push this handle up to release it. Lift up the hood.

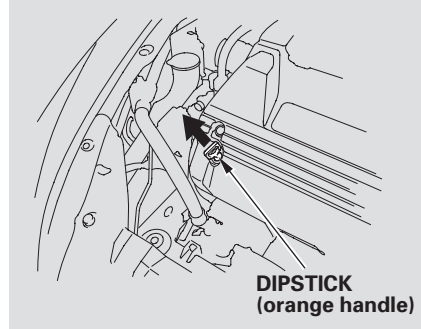
If the hood latch handle moves stiffly, or if you can open the hood without lifting the handle, the mechanism should be cleaned and lubricated.



Lift the hood up most of the way. The hydraulic supports will lift it up the rest of the way and hold it up.

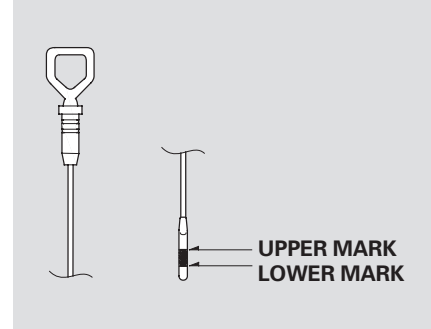
To close the hood, lower the hood to about a foot (30 cm) above the fender, then firmly press down on the front edge of the hood. Make sure it is securely latched.

Oil Check



Wait a few minutes after turning the engine off before you check the oil.

1. Remove the dipstick (orange handle).
2. Wipe the dipstick with a clean cloth or paper towel.
3. Insert it all the way back in its hole.

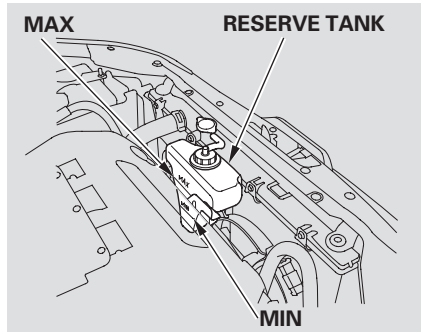


4. Remove the dipstick again, and check the level. It should be between the upper and lower marks.

If it is near or below the lower mark, see **Adding Oil** on page [201](#).

Service Station Procedure

Engine Coolant Check



Look at the coolant level in the radiator reserve tank. Make sure it is between the MAX and MIN lines. If it is below the MIN line, see **Adding Engine Coolant** on page [206](#) for information on adding the proper coolant.

Refer to **Owner's Maintenance Checks** on page [193](#) for information about checking other items on your vehicle.

Improving Fuel Economy

- Always maintain your vehicle according to the maintenance schedule. See **Owner's Maintenance Checks** (see page [193](#)).

For example, an underinflated tire causes more “rolling resistance,” which uses more fuel.

The build-up of snow or mud on your vehicle's underside adds weight and rolling resistance. Frequent cleaning helps your fuel mileage and reduces the chance of corrosion.

- Drive moderately. Rapid acceleration, abrupt cornering, and hard braking use more fuel.

- Always drive in the highest gear possible.
- Try to maintain a constant speed. Every time you slow down and speed up, your vehicle uses extra fuel. Use cruise control when appropriate.
- Combine several short trips into one.
- The air conditioning puts an extra load on the engine which makes it use more fuel. Use the fresh-air ventilation when possible.

Accessories and Modifications

Modifying your vehicle, or installing some non-Honda accessories, can make your vehicle unsafe. Before you make any modifications or add any accessories, be sure to read the following information.

Accessories

Your dealer has Honda accessories that allow you to personalize your vehicle. These accessories have been designed and approved for your vehicle, and are covered by warranty.

Although non-Honda accessories may fit on your vehicle, they may not meet factory specifications, and could adversely affect your vehicle's handling and stability.

WARNING

Improper accessories or modifications can affect your vehicle's handling, stability, and performance, and cause a crash in which you can be hurt or killed.

Follow all instructions in this owner's manual regarding accessories and modifications.

When properly installed, cellular phones, alarms, two-way radios, and low-powered audio systems should not interfere with your vehicle's computer controlled systems, such as your airbags and anti-lock brakes.

Before installing any accessory:

- Make sure the accessory does not obscure any lights, or interfere with proper vehicle operation or performance.
- Be sure electronic accessories do not overload electrical circuits (see page [252](#)) or interfere with proper operation.
- Before installing any electronic accessory, have the installer contact your dealer for assistance. If possible, have your dealer inspect the final installation.
- Do not install accessories on the side pillars or across the rear windows. In these areas, accessories may interfere with proper operation of the side curtain airbags.

Modifying Your Vehicle

Removing parts from your vehicle, or replacing components with aftermarket components could seriously affect your vehicle's handling, stability, and reliability.

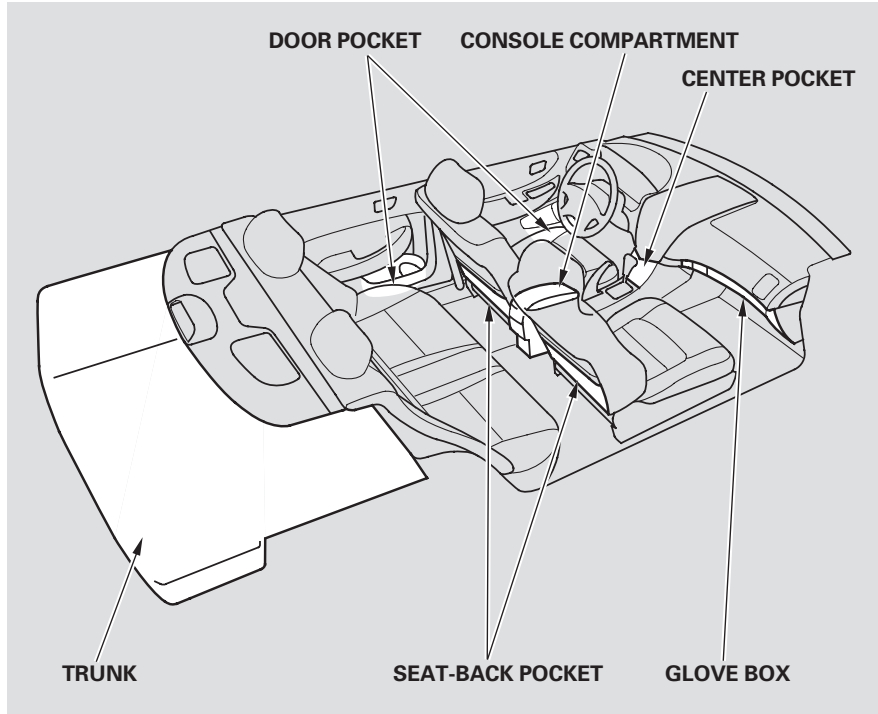
Some examples are:

- Lowering the vehicle with an aftermarket suspension kit that significantly reduces ground clearance can allow the undercarriage to hit speed bumps or other raised objects, which could cause the airbags to deploy.
- Raising your vehicle with an aftermarket suspension kit can affect the handling and stability.
- Aftermarket wheels, because they are a universal design, can cause excessive stress on suspension components.

- Larger or smaller wheels and tires can interfere with the operation of your vehicle's anti-lock brakes and other systems.
- Modifying your steering wheel or any other part of your vehicle's safety features can make the systems ineffective.

If you plan to modify your vehicle, consult your dealer.

Carrying Cargo



Your vehicle has several convenient storage areas:

- Glove box
- Door pockets
- Seat-back pockets
- Trunk
- Center pocket
- Console compartment
- Roof-rack (if installed)

However, carrying too much cargo or improperly storing it can affect your vehicle's handling, stability, stopping distance, and tires, and make it unsafe. Before carrying any type of cargo, be sure to read the following pages.

Load Limits

The maximum load for your vehicle is 850 lbs (395 kg). This figure includes the total weight of all occupants, cargo, and accessories, and the tongue load if you are towing a trailer.

WARNING

Overloading or improper loading can affect handling and stability and cause a crash in which you can be hurt or killed.

Follow all load limits and other loading guidelines in this manual.

Steps for determining correct load limit:

1. Locate the statement, “the combined weight of occupants and cargo should never exceed 850 lbs” on your vehicle’s placard.

[The placard is on the driver’s doorjamb.]

2. Determine the combined weight of the driver and passengers that will be riding in your vehicle.
3. Subtract the combined weight of the driver and passengers from 850 pounds or 395 kilograms.
4. The resulting figure equals the available amount of cargo and luggage load capacity.
For example, if the maximum load is 850 lbs and there will be five 150 lb. passengers in your vehicle, the amount of available cargo and luggage load capacity is 100 lbs.
(850 – 750 (5 × 150) = 100 lbs.)
5. Determine the combined weight of luggage and cargo being loaded on the vehicle. That weight may not safely exceed the available cargo and luggage load capacity in

step 4.

6. If your vehicle will be towing a trailer, load from your trailer will be transferred to your vehicle. Consult this manual to determine how this reduces the available cargo and luggage load capacity of your vehicle (see page [182](#)).

Carrying Cargo

In addition, the total weight of the vehicle, all passengers and accessories must not exceed the Gross Vehicle Weight Rating (GVWR) or the Gross Axle Weight Rating (GAWR). Both are on a label on the driver's doorjamb.

Carrying Cargo in the Trunk or on a Roof Rack

- Distribute cargo evenly on the floor of the trunk, placing the heaviest items on the bottom and as far forward as possible. Tie down items that could be thrown about the vehicle during a crash or sudden stop.

- If you carry large items that prevent you from closing the trunk lid, exhaust gas can enter the passenger area. To avoid the possibility of **carbon monoxide poisoning**, follow the instructions on page [49](#) .

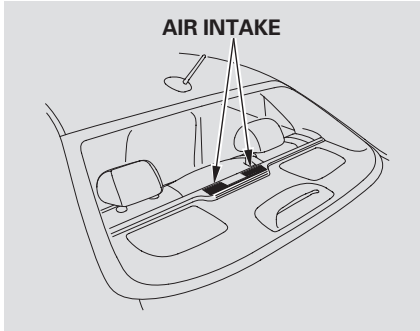
- If you carry any items on a roof rack, be sure the total weight of the rack and the items does not exceed 165 lbs (75 kg).

If you use an accessory roof rack, the roof rack weight limit may be lower. Refer to the information that came with your roof rack.

Carrying Items in the Passenger Compartment

- Store or secure all items that could be thrown around and hurt someone during a crash.
- Do not put any items on top of the rear shelf. They can block your view and be thrown around the vehicle during a crash.
- Be sure items placed on the floor behind the front seats cannot roll under the seats and interfere with the driver's ability to operate the pedals or the seat.
- Keep the glove box closed while driving so that someone in the passenger seat can avoid injuries to their knees in a crash or a sudden stop.

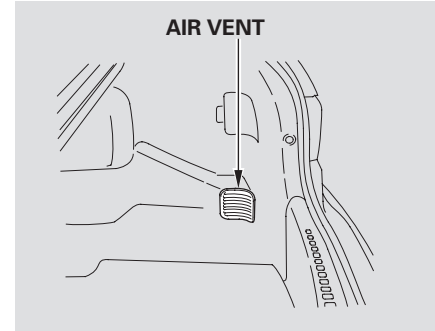
Air Intake



The air intake for the IMA battery and electronics is located on top of the trunk panel. Do not block this air intake; it may cause the IMA battery and the power control unit to overheat, causing the IMA system to shut down. It will start working again after it cools.

Do not spill any liquids over the air intake or put any small foreign objects in it. This may damage the IMA battery and the power control unit.

Air Vent in the Trunk



Air used to cool the IMA battery is vented into the right side of the trunk. Do not leave perishable items near this vent.

This section gives you tips on starting the engine under various conditions, and how to operate the manual and automatic transmissions. It also includes important information on parking your vehicle, the braking system, the traction control system, and facts you need if you are planning to tow a trailer.

Preparing to Drive	166
Starting the Engine.....	167
Automatic Transmission.....	168
Shift Lever Position	
Indicators.....	168
Shifting.....	168
Engine Speed Limiter	170
Shift Lock Release.....	171
Parking.....	175
Braking System.....	176
Brake System Design.....	176
Brake Wear Indicators.....	176
Anti-lock Brakes (ABS)	177
Activating the Anti-lock	
Brakes	177
ABS Indicator	177
Traction Control System.....	179
TCS Off Switch	180
TCS Activation Indicator	180
TCS Indicator.....	180
Towing a Trailer	182

Preparing to Drive

You should do the following checks and adjustments before you drive your vehicle.

1. Make sure all windows, mirrors, and outside lights are clean and unobstructed. Remove frost, snow, or ice.
2. Check that the hood is fully closed.
3. Check that the trunk is fully closed.
4. Visually check the tires. If a tire looks low, use a gauge to check its pressure.
5. Check that any items you may be carrying are stored properly or fastened down securely.
6. Check the seat adjustment (see pages [86](#) to [88](#)).
7. Check the adjustment of the inside and outside mirrors (see pages [89](#) and [90](#)).
8. Check the steering wheel adjustment (see page [76](#)).
9. Make sure the doors are securely closed and locked.
10. Fasten your seat belt. Check that your passengers have fastened their seat belts (see page [16](#)).
11. When you start the engine, check the gauges and indicators in the instrument panel (see pages [54](#) to [69](#)).

1. Apply the parking brake.
2. In cold weather, turn off all electrical accessories to reduce the drain on the battery.
3. Make sure the shift lever is in Park. Press on the brake pedal.
4. Turn the ignition key to the START (III) position. Do not hold the key in START (III) for more than 15 seconds at a time. If the engine does not start right away, pause for at least 10 seconds before trying again.
5. If the engine does not start within 15 seconds, or starts but stalls right away, repeat step 4 with the accelerator pedal pressed halfway down. If the engine starts, release pressure on the accelerator pedal so the engine does not race.
6. If the engine fails to start, press the accelerator pedal all the way down and hold it there while starting to clear flooding. Return to step 5 if the engine does not start.

NOTICE

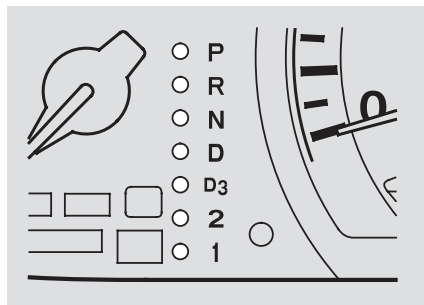
*The immobilizer system protects your vehicle from theft. If an improperly-coded key (or other device) is used, the engine's fuel system is disabled. See **Immobilizer System** on page 78 .*

NOTICE

The engine is harder to start in cold weather. Also, the thinner air found at altitudes above 8,000 feet (2,400 meters) adds to this problem.

Automatic Transmission

Shift Lever Position Indicators

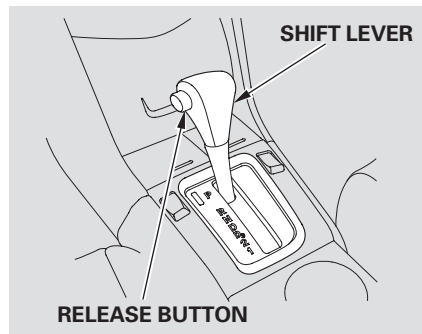


These indicators between the tachometer and speedometer show which position the shift lever is in.

The “D” indicator comes on for a few seconds when you turn the ignition switch to ON (II). If it flashes while driving (in any shift position), it indicates a possible problem in the transmission.

If the malfunction indicator lamp comes on along with the “D” indicator, there is a problem with the automatic transmission control system. Avoid rapid acceleration and have the transmission checked by your dealer as soon as possible.

Shifting



To shift from any position, press the release button on the side of the shift lever to move it. You cannot shift out of Park when the ignition switch is in the LOCK (0) or ACCESSORY position (I).

To shift from:	Do this:
P to R	Press the brake pedal and press the release button.
R to P N to R D ₃ to 2 2 to 1	Press the release button.
1 to 2 2 to D ₃ D ₃ to D D to N D to D ₃ N to D R to N	Move the lever.

Park (P) – This position mechanically locks the transmission. Use Park whenever you are turning off or starting the engine. To shift out of Park, you must press on the brake pedal and have your foot off the accelerator pedal. Press the release button on the side of the shift lever to move it.

If you have done all of the above and still cannot move the lever out of Park, see **Shift Lock Release** on page 171 .

You must also press the release button to shift into Park. To avoid transmission damage, come to a complete stop before shifting into Park. The shift lever must be in Park before you can remove the key from the ignition switch.

Reverse (R) – Press the brake pedal and press the release button to shift from Park to Reverse. To shift from Reverse to Neutral, come to a complete stop and then shift.

Neutral (N) – Use Neutral if you need to restart a stalled engine, or if it is necessary to stop briefly with the engine idling. Shift to the Park position if you need to leave your vehicle and apply the parking brake. Press on the brake pedal when you are moving the shift lever from Neutral to another gear.

Drive (D) – Use this position for your normal driving. The transmission automatically selects a suitable gear for the vehicle speed and acceleration. You may notice the transmission shifting up at higher speeds when the engine is cold. This helps the engine warm up faster.

Drive (D3) – This position is similar to D, except only the first three gears are selected instead of all five. Use D3 when towing a trailer in hilly terrain, or to provide engine braking when going down a steep hill. D3 can also keep the transmission from cycling between third and fourth gears in stop-and-go driving.

CONTINUED

Automatic Transmission

Second (2) – This position locks the transmission in second gear. It does not downshift to first gear when you come to a stop.

Use Second gear:

- For more power when climbing.
- To increase engine braking when going down steep hills.
- For starting out on a slippery surface or in deep snow.
- To help reduce wheel spin.
- When driving downhill with a trailer.

First (1) – To shift from Second to First, press the release button on the side of the shift lever. This position locks the transmission in first gear. By upshifting and downshifting through 1, 2, D3, and D, you can operate this transmission much like a manual transmission without a clutch pedal.

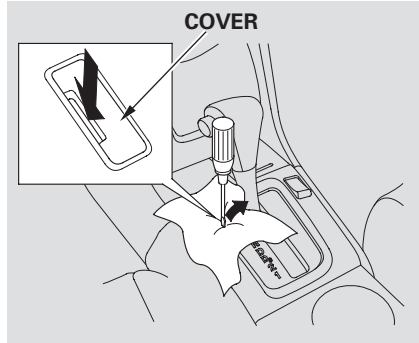
Engine Speed Limiter

If you exceed the maximum speed for the gear you are in, the engine speed will enter into the tachometer's red zone. If this occurs, you may feel the engine cut in and out. This is caused by a limiter in the engine's computer controls. The engine will run normally when you reduce the RPM below the red zone.

Shift Lock Release

This allows you to move the shift lever out of Park if the normal method of pushing on the brake pedal and pressing the release button does not work.

1. Set the parking brake.
2. Remove the key from the ignition switch.

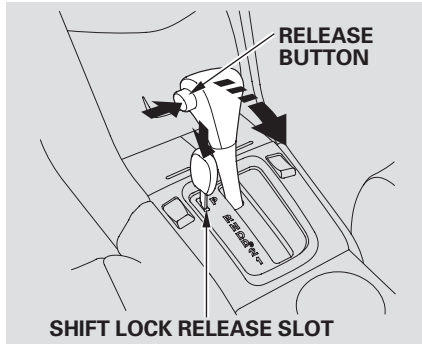


3. Put a cloth on the edge of the Shift Lock Release slot cover next to the shift lever. Use a small flat-tipped screwdriver or finger nail file to remove the cover. Carefully pry off the edge of the cover.

4. Insert the key in the Shift Lock Release slot.

CONTINUED

Automatic Transmission



If you need to use the Shift Lock Release, it means your vehicle is developing a problem. Have the vehicle checked by your dealer.

5. Push down on the key while you press the release button on the shift lever and move the shift lever out of Park to Neutral.
6. Remove the key from the Shift Lock Release slot, then reinstall the cover. Make sure the notch on the cover is on the left side. Depress the brake pedal and restart the engine.

Auto Idle Stop

Your vehicle has an auto idle stop system. After your vehicle comes to a halt, the engine shuts off automatically if all the following conditions are met.

- The vehicle speed is over 8 mph (12 km/h) before the vehicle comes to a stop.
- The engine coolant is nearly up to normal operating temperature.
- The shift lever is in D, D3 or N.
- You are pressing on the brake pedal.
- You are not pressing on the accelerator pedal.
- The IMA battery is charged enough to operate the system.
- Fan speed – lower fan speeds, in either AUTO or manual modes.
- Outside temperature is between 10 – 100 degrees F.
- The front window defroster is off.

The engine restarts when you release the brake pedal. Even while you are pressing down on the brake pedal, the engine restarts if the conditions below are met.

- You move the shift lever from N to R, or from D3 to 2nd.
- You step on the accelerator pedal.

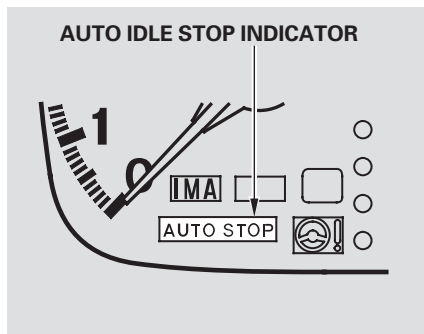
During Auto Idle Stop, the IMA charge and power brake vacuum reserve is monitored by the system. If the vacuum reserve drops below an optimal level, the engine will restart to replenish the vacuum supply. If the IMA charge drops below an optimal level, the engine will restart to recharge the IMA battery.

The auto idle stop system may not work if the temperature of the IMA battery is extremely high or extremely low.

While the auto idle stop system is working, the auto idle stop indicator blinks (see page [174](#)).

Automatic Transmission

Auto Idle Stop Indicator



This indicator blinks after the auto idle stop system stops the engine. While the indicator is blinking, you can restart the engine with the ignition switch when the shift lever is in N, not D.

A beeper sounds if you open the driver's door when the auto idle stop system is activated. After you open the door during the auto idle stop and the engine starts, the beeper also sounds even when the auto idle stop system is off. Close the door to turn the beeper off.

Always use the parking brake when you park your vehicle. Make sure the parking brake is set firmly or your vehicle may roll if it is parked on an incline.

Set the parking brake before you put the transmission in Park. This keeps the vehicle from moving and putting pressure on the parking mechanism in the transmission.

Parking Tips

- Make sure the windows are closed.
 - Turn off the lights.
 - Place any packages, valuables, etc., in the trunk or take them with you.
 - Lock the doors with the key or the remote transmitter. Check the indicator on the instrument panel to verify that the security system is set.
 - Never park over dry leaves, tall grass, or other flammable materials. They may catch fire because of the extreme heat of the three-way catalytic converter.
- If the vehicle is facing uphill, turn the front wheels away from the curb.
 - If the vehicle is facing downhill, turn the front wheels toward the curb.
 - Make sure the parking brake is fully released before driving away. Driving with the parking brake partially set can overheat or damage the rear brakes.

Braking System

Your vehicle is equipped with disc brakes. A power assist helps reduce the effort needed on the brake pedal. The ABS helps you retain steering control when braking very hard.

Put your foot on the brake pedal only when you intend to brake. Resting your foot on the pedal keeps the brakes applied lightly, builds up heat, increases wear and reduces their effectiveness. It also keeps your brake lights on all the time, confusing drivers behind you.

Constant application of the brakes when going down a long hill builds up heat and reduces their effectiveness. Use the engine to assist the brakes by taking your foot off the accelerator and downshifting to a lower gear.

Check the brakes after driving through deep water. Apply the brakes moderately to see if they feel normal. If not, apply them gently and frequently until they do. Be extra cautious in your driving.

Braking System Design

The hydraulic system that operates the brakes has two separate circuits. Each circuit works diagonally across the vehicle (the left-front brake is connected with the right-rear brake, etc.). If one circuit should develop a problem, you will still have braking at two wheels.

Brake Wear Indicators

If the brake pads need replacing, you will hear a distinctive, metallic screeching sound when you apply the brake pedal. If you do not have the brake pads replaced, they will screech all the time. It is normal for the brakes to occasionally squeal or squeak when you apply them.

Anti-lock Brakes (ABS)

The anti-lock brake system (ABS) helps prevent the brakes from locking up, and helps you retain steering control by pumping the brakes rapidly, much faster than a person can do it.

The ABS also balances the front-to-rear braking distribution according to vehicle loading.

You should never pump the brake pedal; this defeats the purpose of the ABS. Let the ABS work for you by always keeping firm, steady pressure on the brake pedal as you steer away from the hazard. This is sometimes referred to as “stomp and steer.”

Activating the Anti-lock Brakes

You will feel a pulsation in the brake pedal when the ABS activates, and you may hear some noise. This is normal: it is the ABS rapidly pumping the brakes. On dry pavement, you will need to press on the brake pedal very hard before the ABS activates. However, you may feel the ABS activate immediately if you are trying to stop on snow or ice.

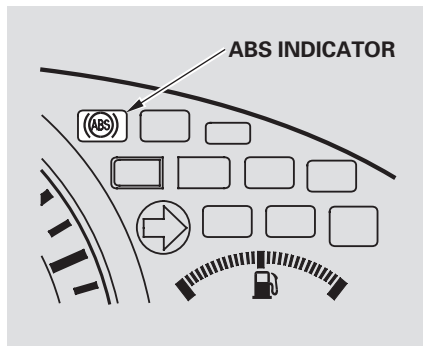
ABS Indicator

If the ABS indicator comes on, the anti-lock function of the braking system has shut down. The brakes still work like a conventional system, but without anti-lock. You should have your dealer inspect your vehicle as soon as possible.

If the ABS indicator and the brake system indicator come on together, and the parking brake is fully released, the front-to-rear braking distribution system may also be shut down.

CONTINUED

Anti-lock Brakes (ABS)



Test your brakes as instructed on page 261. If the brakes feel normal, drive slowly and have your vehicle repaired by your dealer as soon as possible. Avoid sudden hard braking which could cause the rear wheels to lock up and possibly lead to a loss of control.

Important Safety Reminders
ABS does not reduce the time or distance it takes to stop the vehicle. It only helps with the

steering control during braking.

ABS will not prevent a skid that results from changing direction abruptly, such as trying to take a corner too fast or making a sudden lane change. Always drive at a safe speed for the road and weather conditions.

ABS cannot prevent a loss of stability. Always steer moderately when you are braking hard. Severe or sharp steering wheel movement can still cause your vehicle to veer into oncoming traffic or off the road.

A vehicle with ABS may require a longer distance to stop on loose or uneven surfaces, such as gravel or snow, than a vehicle without anti-lock. Slow down and allow a greater distance between vehicles under those conditions.

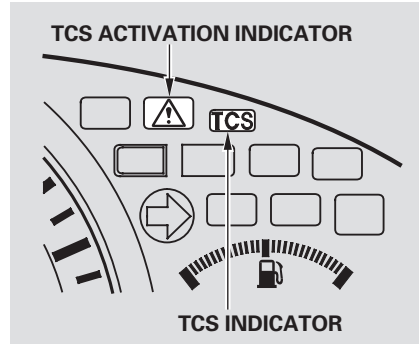
The TCS indicator will come on along with the ABS indicator.

Traction Control System

Your vehicle is equipped with a traction control system (TCS) to assist you in maintaining traction while driving slowly on loose or slippery surfaces.

TCS monitors the speed of all four wheels. When it senses a front wheel losing traction, it applies braking to that wheel. The TCS Activation indicator flashes when this occurs.

Driving with TCS requires no special skills or technique. The TCS does not control your vehicle's whole braking system and cannot prevent skidding if you enter a corner too fast. It is still your responsibility to drive at reasonable speeds and to leave a sufficient margin of safety.



When starting out or driving on a loose or slippery road surface, you may notice that the vehicle does not respond to the accelerator in the same way it does at other times. This is a sign TCS is activating. You will see the TCS Activation indicator light flash.

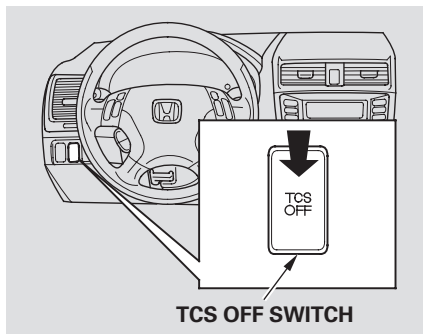
The TCS indicator (see page 56) and the TCS activation indicator come on and stay on when there is a problem with the TCS.

You should still install winter tires on your vehicle during the winter. Make sure to use the same size originally supplied with the vehicle. Exercise the same caution in winter driving as you would if your vehicle was not equipped with TCS.

On Canadian model
Driving with the compact spare tire installed (see page 236) may activate the TCS. You should turn off the system.

Traction Control System

TCS Off Switch



Push the TCS Off switch to turn the TCS off. Push the switch again to turn the TCS on. The TCS does not turn off while the TCS activation indicator is blinking.

The TCS turns on each time you start the engine.

TCS Activation Indicator

When you turn the ignition switch to the ON (II) position, this indicator comes on for a few seconds and then goes off.

This indicator stays on;

- When the TCS is off.
- When there is something wrong with the TCS.

This indicator blinks while the TCS is working to prevent wheelspin.

TCS Indicator

If this indicator comes on while you are driving, stop your vehicle in a safe place, turn the engine off and restart it. If the indicator stays on, or comes on again while you are driving, contact your dealer to have the vehicle serviced. The TCS does not work when the indicator is on. The vehicle is drivable even when the indicator is on.

Occasionally, the indicator comes on momentarily even when there is nothing wrong with the TCS.

The TCS indicator and the ABS indicator are on when there is something wrong with the anti-lock brake system (see **ABS Indicator** on page 177).

The TCS indicator and the brake system indicator are on when there is something wrong with the brake system (see **Brake System Indicator** on page 54).

Towing a Trailer

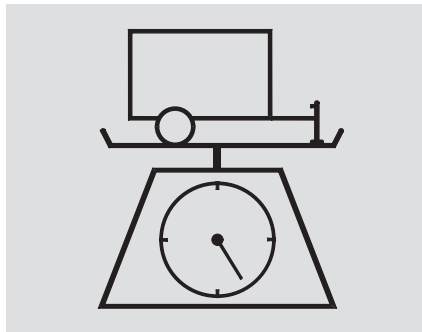
Your vehicle has been designed to primarily carry passengers and their cargo. You can also use it to tow a trailer if you carefully observe the load limits, use the proper equipment, and follow the guidelines in this section.

⚠ WARNING

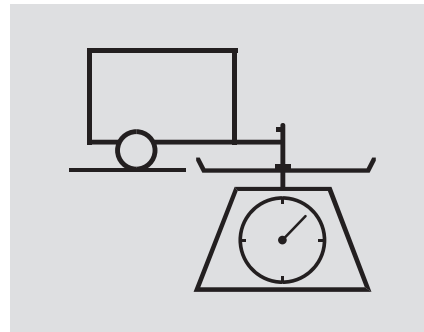
Exceeding any load limit or improperly loading your vehicle and trailer can cause a crash in which you can be seriously hurt or killed.

Check the loading of your vehicle and trailer carefully before starting to drive.

Load Limits



Total Trailer Weight: The maximum allowable weight of the trailer and everything in or on it must not exceed 1,000 lbs (450 kg). Towing a load that is too heavy can seriously affect your vehicle's handling and performance. It can also damage the engine and drivetrain.



Tongue Load: The weight that the tongue of a fully-loaded trailer puts on the hitch should be approximately 10 percent of the total trailer weight. Too much tongue load reduces front-tire traction and steering control. Too little tongue load can make the trailer unstable and cause it to sway.

To achieve a proper tongue load, start by loading 60 percent of the load toward the front of the trailer and 40 percent toward the rear, then re-adjust the load as needed.

- **Gross Vehicle Weight Rating (GVWR):**

The maximum allowable weight of the vehicle, all occupants, all cargo, and the tongue is:

4,453 lbs (2,020 kg)

- **Gross Axle Weight Rating (GAWR):**

The maximum allowable weight of the vehicle axles is:

2,390 lbs (1,085 kg)
on the front axle
2,095 lbs (950 kg)
on the rear axle

Checking Loads

The best way to confirm that vehicle and trailer weights are within limits is to have them checked at a public scale.

Using a suitable scale or a special tongue load gauge, check the tongue load the first time you set up a towing combination (a fully-loaded vehicle and trailer), then recheck the tongue load whenever the conditions change.

Towing a Trailer

Towing Equipment and Accessories

Towing can require a variety of equipment, depending on the size of your trailer, how it will be used, how much load you are towing, and where you tow.

Discuss your needs with your trailer sales or rental agency, and follow the guidelines in the rest of this section. Also make sure that all equipment is properly installed and that it meets federal, state, province, and local regulations.

Hitches

Any hitch used on your vehicle must be properly bolted to the underbody.

Safety Chains

Always use safety chains when you tow a trailer. Make sure the chains are secured to the trailer and hitch, and that they cross under the tongue and can catch the trailer if it becomes unhitched. Leave enough slack to allow the trailer to turn corners easily, but do not let the chains drag on the ground.

Trailer Brakes

Honda recommends that any trailer having a total weight of 1,000 lbs (450 kg) or more be equipped with its own electric or surge-type brakes.

If you choose electric brakes, be sure they are electrically actuated. Do not attempt to tap into your vehicle's hydraulic system. No matter how successful it may seem, any attempt to attach trailer brakes to your vehicle's hydraulic system will lower braking effectiveness and create a potential hazard.

See your trailer dealer for more information on installing electric brakes.

Trailer Lights

Trailer lights and equipment must comply with federal, state, and local regulations. Check with your local recreational vehicle dealer for the requirements in your area, and use only equipment designed for your vehicle.

Since lighting and wiring vary by trailer type and brand, you should have a qualified technician install a suitable connector between the vehicle and the trailer. Improper equipment or installation can cause damage to your vehicle's electrical system and affect your vehicle warranty.

Additional Towing Equipment

Many states and Canadian provinces require special outside mirrors when towing a trailer. Even if they don't, you should install special mirrors if you cannot clearly see behind you, or if the trailer creates a blind spot.

Ask your trailer sales or rental agency if any other items are recommended or required for your towing situation.

Towing a Trailer

Pre-Tow Checklist

When preparing to tow, and before driving away, be sure to check the following:

- The vehicle has been properly serviced, and the tires, brakes, suspension, cooling system, and lights are in good operating condition.
- All weights and loads are within limits (see pages [182](#) and [183](#)).
- The hitch, safety chains, and any other attachments are secure.
- All items in or on the trailer are properly secured and cannot shift while you drive.
- The lights and brakes on your vehicle and the trailer are working properly.

- Your vehicle tires and spare are properly inflated (see page [220](#)), and the trailer tires and spare are trailer maker.

Driving Safely With a Trailer

The added weight, length, and height of a trailer will affect your vehicle's handling and performance, so driving with a trailer requires some special driving skills and techniques.

For your safety and the safety of others, take time to practice driving maneuvers before heading for the open road, and follow the guidelines below.

Towing Speeds and Gears

Drive slower than normal in all driving situations, and obey posted speed limits for vehicles with trailers. If you have an automatic transmission, use D position when towing a trailer on level roads. D3 is the proper shift lever position to use when towing a trailer in hilly terrain. (See “*Driving on Hills*” in the next column for additional gear information.)

Making Turns and Braking

Make turns more slowly and wider than normal. The trailer tracks a smaller arc than your vehicle, and it can hit or run over something the vehicle misses. Allow more time and distance for braking. Do not brake or turn suddenly as this could cause the trailer to jackknife or turn over.

Driving on Hills

When climbing hills, closely watch your temperature gauge. If it nears the red (hot) mark, turn the air conditioning off, reduce speed and, if necessary, pull to the side of the road to let the engine cool.

If the automatic transmission shifts frequently while going up a hill, shift to D3.

If you must stop when facing uphill, use the foot brake or parking brake. Do not try to hold the vehicle in place by pressing on the accelerator, as this can cause the automatic transmission to overheat.

When driving down hills, reduce your speed, and shift down to 2nd gear. Do not “ride” the brakes, and remember, it will take longer to slow down and stop when towing a trailer.

Handling Crosswinds and Buffeting

Crosswinds and air turbulence caused by passing trucks can disrupt your steering and cause trailer swaying. When being passed by a large vehicle, keep a constant speed, and steer straight ahead. Do not try to make quick steering or braking corrections.

Backing Up

Always drive slowly and have someone guide you when backing up. Grip the *bottom* of the steering wheel; then turn the wheel to the left to get the trailer to move to the left, and turn the wheel right to move the trailer to the right.

Parking

Follow all normal precautions when parking, including firmly setting the parking brake and putting the transmission in Park. Also, place wheel chocks at each of the trailer’s tires.

This section explains why it is important to keep your vehicle well maintained and how to follow basic maintenance safety precautions.

This section also includes Maintenance Schedules for normal driving and severe driving conditions, a Maintenance Record, and instructions for simple maintenance tasks you may want to take care of yourself.

If you have the skills and tools to perform more complex maintenance tasks on your vehicle, you may want to purchase the Service Manual. See page 275 for information on how to obtain a copy, or see your dealer.

Maintenance Safety	190	Recommended Tire Pressure ..	220
Maintenance Schedule.....	191	Tire Inspection.....	221
Servicing Your Vehicle	192	Tire Maintenance	221
Owner's Maintenance		Tire Rotation	222
Checks	193	Replacing Tires and Wheels	222
Normal Conditions	194	Wheels and Tires.....	223
Severe Conditions.....	195	Winter Driving	223
Maintenance Record	196	Snow Tires.....	223
Fluid Locations.....	200	Tire Chains.....	224
Adding Engine Oil	201	Checking the Battery	225
Recommended Engine Oil.....	201	Vehicle Storage	226
Synthetic Oil.....	202		
Engine Oil Additives	202		
Changing the Oil and Filter.....	203		
Windshield Washers	205		
Engine Coolant.....	206		
Transmission Fluid.....	208		
Brake Fluid.....	209		
Timing Belt.....	209		
Lights	210		
Seat Belts.....	216		
Driver's Floor Mat.....	216		
Dust and Pollen Filter	216		
Wiper Blades	217		
Tires	219		
Inflation Guidelines	219		

Maintenance Safety

All service items not detailed in this section should be performed by a certified technician or other qualified mechanic.

Important Safety Precautions

To eliminate potential hazards, read the instructions before you begin, and make sure you have the tools and skills required.

- Make sure your vehicle is parked on level ground, the parking brake is set, and the engine is off.
- To clean parts, use a commercially available degreaser or parts cleaner, not gasoline.
- To reduce the possibility of fire or explosion, keep cigarettes, sparks, and flames away from the battery and all fuel-related parts.
- Wear eye protection and protective clothing when working near the battery or when using compressed air.

WARNING

Improperly maintaining this vehicle or failing to correct a problem before driving can cause a crash in which you can be seriously hurt or killed.

Always follow the inspection, maintenance recommendations, and schedules in this owner's manual.

Potential Vehicle Hazards

- **Carbon Monoxide poison from engine exhaust.** Be sure there is adequate ventilation whenever you operate the engine.
- **Burns from hot parts.** Let the engine and exhaust system cool before touching any parts.
- **Injury from moving parts.** Do not run the engine unless instructed to do so.

WARNING

Failure to properly follow maintenance instructions and precautions can cause you to be seriously hurt or killed.

Always follow the procedures and precautions in this owner's manual.

Some of the most important safety precautions are given here. However, we cannot warn you of every conceivable hazard that can arise in performing maintenance. Only you can decide whether or not you should perform a given task.

The maintenance schedule assumes you will use your vehicle as normal transportation for passengers and their possessions. You should also follow these recommendations:

- Avoid exceeding your vehicle’s load limit. This puts excess stress on the engine, brakes, and many other vehicle parts. The load limit is shown on the tire information label on the driver’s doorjamb.
- Operate your vehicle on reasonable roads within the legal speed limit.
- Drive your vehicle regularly over a distance of several miles (kilometers).
- Always use unleaded gasoline with the proper octane rating (see page 152).

Which Schedule to Follow

Service your vehicle according to the time and mileage periods on one of the Maintenance Schedules on the following pages.

U.S. Owners – Follow the Maintenance Schedule for Severe Conditions if you drive your vehicle MAINLY under one or more of the following conditions.

- Driving less than 5 miles (8 km) per trip or, in freezing temperatures, driving less than 10 miles (16 km) per trip.
- Driving in extremely hot [over 90°F (32°C)] conditions.
- Used primarily as a delivery vehicle or taxi that is driven mostly in stop-and-go traffic and/or parked with the engine idling.

- Trailer towing, driving with a loaded roof top carrier, or driving in mountainous conditions.
- Driving on muddy, dusty, or de-iced roads.

NOTICE

If you only OCCASIONALLY drive under a “severe” condition, you should follow the Normal Conditions Maintenance Schedule.

Canadian Owners – Follow the Maintenance Schedule for Severe Conditions.

Maintenance Schedule

Servicing Your Vehicle

Your authorized dealer knows your vehicle best and can provide competent, efficient service.

However, service at a dealer is not mandatory to keep your warranties in effect. Maintenance may be done by any qualified service facility or skilled person to keep your warranties in effect. Keep all the receipts as proof of completion, and have the person who does the work fill out the Maintenance Record. Check your warranty booklet for more information.

We recommend the use of Honda parts and fluids whenever you have maintenance done.

U.S. Vehicles:

Maintenance, replacement, or repair of emissions control devices and systems may be done by any automotive repair establishment or individual using parts that are “certified” to EPA standards.

According to state and federal regulations, failure to perform maintenance on the items marked with # will not void your emissions warranties. However, all maintenance services should be performed at the recommended time or mileage period to ensure long-term reliability.

Owner's Maintenance Checks

You should check the following items at the specified intervals. If you are unsure of how to perform any check, turn to the appropriate page listed.

- Engine oil level — Check every time you fill the fuel tank. See page [155](#).
- Engine coolant level — Check the radiator reserve tank every time you fill the fuel tank. See page [156](#).
- Automatic transmission — Check the fluid level monthly. See pages [208](#) — [209](#).
- Brakes — Check the fluid level monthly. See page [209](#).
- Tires — Check the tire pressure monthly. Examine the tread for wear and foreign objects. See page [219](#).
- Lights — Check the operation of the headlights, parking lights, taillights, high-mount brake light, and license plate lights monthly.

Service the items listed at the indicated distance (or time, if given).											
	miles x 1,000	15	30	45	60	75	90	105	120	135	150
	km x 1,000	24	48	72	96	120	144	168	192	216	240
Check engine oil and coolant	Check oil and coolant at each fuel stop										
Check tires	Check inflation and condition once a month										
Replace engine oil	Every 7,500 miles (12,000 km) or every 1 year, whichever comes first										
Rotate tires (follow pattern on page 222)	Every 7,500 miles (12,000 km)										
Replace engine oil filter Check front and rear brakes Check parking brake adjustment Inspect the following items: Tie-rod ends, steering gearbox, and boots Suspension components Driveshaft boots Brake hoses and lines (including ABS) All fluid levels and condition of fluids Exhaust system [#] Fuel lines and connections [#] Check expiration date for IMS bottle ^{*1}	Every 15,000 miles (24,000 km) or every 1 year, whichever comes first										
Inspect drive belts	Every 30,000 miles (48,000 km) or every 2 years, whichever comes first										
Replace dust and pollen filter			•		•		•		•		•
Replace air cleaner element			•		•		•		•		•
Replace spark plugs							•		•		
Inspect valve clearance	Inspect every 105,000 miles (168,000 km), otherwise adjust only if noisy										
Replace automatic transmission fluid ^{*2}									•		
Inspect idle speed	Inspect every 165,000 miles (264,000 km)										
Replace timing belt and inspect water pump	Every 105,000 miles (168,000 km) or every 7 years, whichever comes first										
Replace engine coolant	120,000 miles (192,000 km) or 10 years, then every 60,000 miles (96,000 km) or 5 years										
Replace brake fluid	Every 3 years (independent of mileage)										

: See information on maintenance and emissions warranty, last column, page 192.

* 1: U.S. only

* 2: Replace at 120,000 miles (192,000 km) or 6 years, then every 90,000 miles (144,000 km) or 5 years.

Service the items listed at the indicated distance (or time, if given).											
	miles x 1,000	15	30	45	60	75	90	105	120	135	150
	km x 1,000	24	48	72	96	120	144	168	192	216	240
Check engine oil and coolant	Check oil and coolant at each fuel stop										
Check tires	Check inflation and condition once a month										
Replace engine oil and oil filter	Every 3,750 miles (6,000 km) or every 6 months, whichever comes first										
Rotate tires (follow pattern on page 222)	Every 7,500 miles (12,000 km)										
Check front and rear brakes Inspect the following items: Tie-rod ends, steering gearbox, and boots Suspension components Driveshaft boots	Every 7,500 miles (12,000 km) or every 6 months, whichever comes first										
Check parking brake adjustment Lubricate all hinges, locks and latches Inspect the following items: Brake hoses and lines (including ABS) All fluid levels and condition of fluids Exhaust system [#] Fuel lines and connections [#] Lights and controls/vehicle underbody Check expiration date for IMS bottle ^{*1}	Every 15,000 miles (24,000 km) or every 1 year, whichever comes first										
Inspect drive belt Replace dust and pollen filter ^{*2}	Every 30,000 miles (48,000 km) or every 2 years, whichever comes first										
Replace air cleaner element	Every 15,000 miles (24,000 km) (Use normal schedule except in dusty conditions)										
Replace spark plugs								●			
Inspect valve clearance	Inspect every 105,000 miles (168,000 km), otherwise adjust only if noisy										
Replace automatic transmission fluid ^{*3}					●		●		●		●
Inspect idle speed	Inspect every 165,000 miles (264,000 km)										
Replace timing belt ^{**} , and inspect water pump	Every 105,000 miles (168,000 km) or every 7 years, whichever comes first										
Replace engine coolant	120,000 miles (192,000 km) or 10 years, then every 60,000 miles (96,000 km) or 5 years										
Replace brake fluid	Every 3 years (independent of mileage)										

: See information on maintenance and emissions warranty, last column, page 192.

* 1: U.S. only

* 2: See dust and pollen filter on page 216 for replacement information under special driving conditions.

* 3: Replace at 60,000 miles (96,000 km) or 3 years, then every 30,000 miles (48,000 km) or 2 years.

* 4: See timing belt on page 209 for replacement information under special driving conditions.

Maintenance Record *(for Normal and Severe Schedules)*

You or the servicing dealer can record all completed maintenance here, whether you follow the schedule for normal conditions (page 194) or severe conditions (page 195). Keep the receipts for all work done on your vehicle.

3,750 mi 6,000 km	Signature or dealer stamp	mi/km
		Date
5,000 mi 8,000 km		mi/km
		Date
7,500 mi 12,000 km		mi/km
		Date
10,000 mi 16,000 km		mi/km
		Date
11,250 mi 18,000 km		mi/km
		Date
15,000 mi 24,000 km		mi/km
		Date
18,750 mi 30,000 km		mi/km
		Date
20,000 mi 32,000 km		mi/km
		Date

22,250 mi 36,000 km	Signature or dealer stamp	mi/km
		Date
25,000 mi 40,000 km		mi/km
		Date
26,250 mi 42,000 km		mi/km
		Date
30,000 mi 48,000 km		mi/km
		Date
33,750 mi 54,000 km		mi/km
		Date
35,000 mi 56,000 km		mi/km
		Date
37,500 mi 60,000 km		mi/km
		Date
40,000 mi 64,000 km		mi/km
		Date

Maintenance Record *(for Normal and Severe Schedules)*

41,250 mi 66,000 km	Signature or dealer stamp	mi/km
		Date
45,000 mi 72,000 km		mi/km
		Date
48,750 mi 78,000 km		mi/km
		Date
50,000 mi 80,000 km		mi/km
		Date
52,500 mi 84,000 km		mi/km
		Date
55,000 mi 88,000 km		mi/km
		Date
56,250 mi 90,000 km		mi/km
		Date
60,000 mi 96,000 km		mi/km
		Date

63,750 mi 102,000 km	Signature or dealer stamp	mi/km
		Date
65,000 mi 104,000 km		mi/km
		Date
67,500 mi 108,000 km		mi/km
		Date
70,000 mi 112,000 km		mi/km
		Date
71,250 mi 114,000 km		mi/km
		Date
75,000 mi 120,000 km		mi/km
		Date
78,750 mi 126,000 km		mi/km
		Date
80,000 mi 128,000 km		mi/km
		Date

Maintenance Record *(for Normal and Severe Schedules)*

82,500 mi 132,000 km	Signature or dealer stamp	mi/km
		Date
85,000 mi 136,000 km		mi/km
		Date
86,250 mi 138,000 km		mi/km
		Date
90,000 mi 144,000 km		mi/km
		Date
93,750 mi 150,000 km		mi/km
		Date
95,000 mi 152,000 km		mi/km
		Date
97,500 mi 156,000 km		mi/km
		Date
100,000 mi 166,000 km		mi/km
		Date

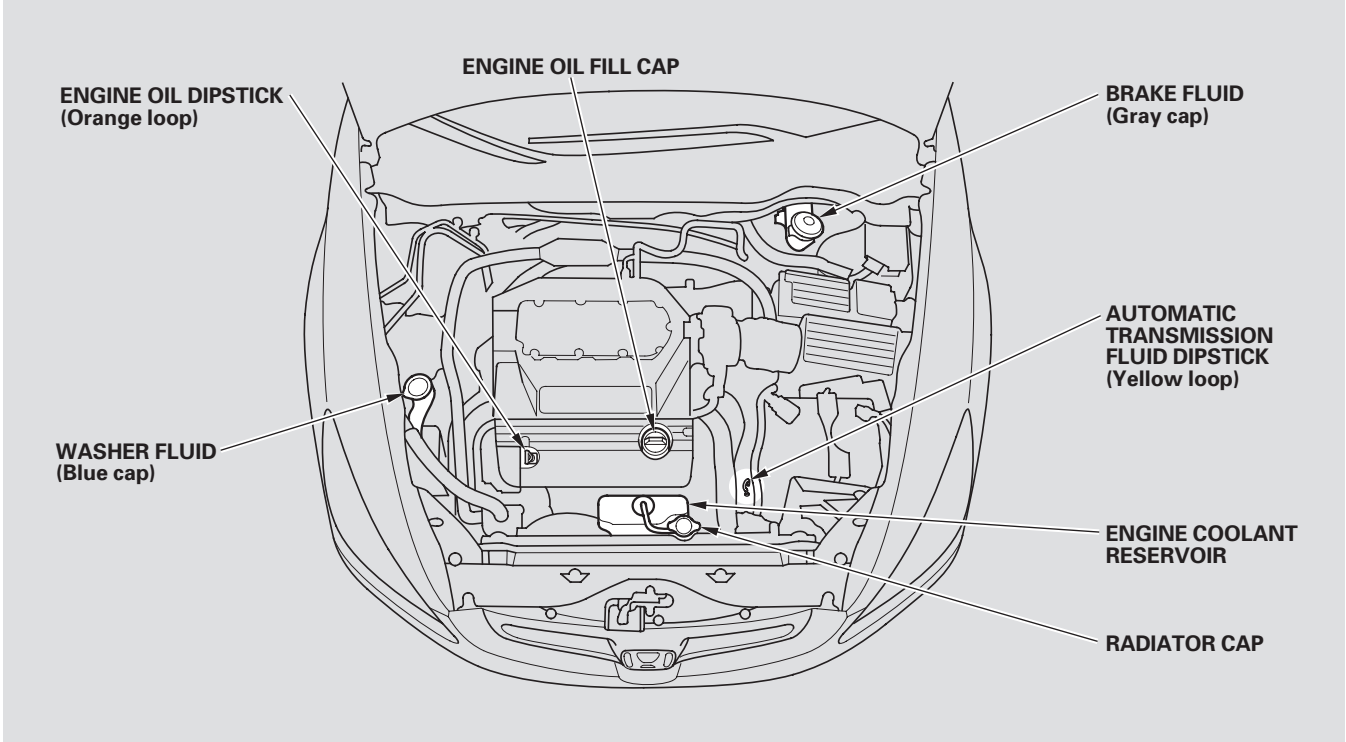
101,250 mi 162,000 km	Signature or dealer stamp	mi/km
		Date
105,000 mi 168,000 km		mi/km
		Date
108,750 mi 174,000 km		mi/km
		Date
110,000 mi 176,000 km		mi/km
		Date
112,500 mi 180,000 km		mi/km
		Date
115,000 mi 184,000 km		mi/km
		Date
116,250 mi 186,000 km		mi/km
		Date
120,000 mi 192,000 km		mi/km
		Date

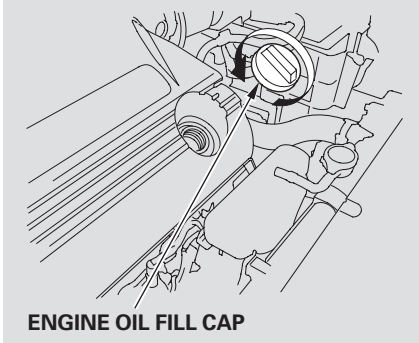
Maintenance Record *(for Normal and Severe Schedules)*

123,750 mi 198,000 km	Signature or dealer stamp	mi/km
		Date
125,000 mi 200,000 km		mi/km
		Date
127,500 mi 204,000 km		mi/km
		Date
130,000 mi 208,000 km		mi/km
		Date
131,250 mi 210,000 km		mi/km
		Date
135,000 mi 216,000 km		mi/km
		Date
138,750 mi 222,000 km		mi/km
		Date
140,000 mi 224,000 km		mi/km
		Date

142,500 mi 228,000 km	Signature or dealer stamp	mi/km
		Date
145,000 mi 232,000 km		mi/km
		Date
146,250 mi 234,000 km		mi/km
		Date
150,000 mi 240,000 km		mi/km
		Date

Fluid Locations





Unscrew and remove the engine oil fill cap on top of the valve cover. Pour in the oil slowly and carefully so you do not spill. Clean up any spills immediately. Spilled oil could damage components in the engine compartment.

Install the engine oil fill cap, and tighten it securely. Wait a few minutes, and recheck the oil level. Do not fill above the upper mark; you could damage the engine.

Recommended Engine Oil

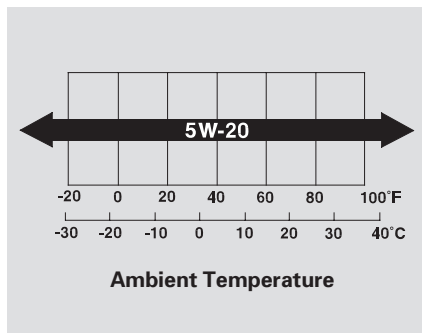
Oil is a major contributor to your engine's performance and longevity. Always use a premium-grade 5W-20 detergent oil displaying the API Certification Seal. This seal indicates the oil is energy conserving, and that it meets the American Petroleum Institute's latest requirements.

Adding Engine Oil

Honda Motor Oil is the preferred 5W-20 lubricant for your vehicle. It is highly recommended that you use Honda Motor Oil in your vehicle for optimum engine protection. Make sure the API Certification Seal says “For Gasoline Engines.”



The oil viscosity or weight is provided on the container's label. 5W-20 oil is formulated for year-round protection of your Honda to improve cold weather starting and fuel economy.



Synthetic Oil

You may use a synthetic motor oil if it meets the same requirements given for a conventional motor oil, it displays the API Certification Seal and it is the proper weight. You must follow the oil and filter change intervals given in the maintenance schedule.

Engine Oil Additives

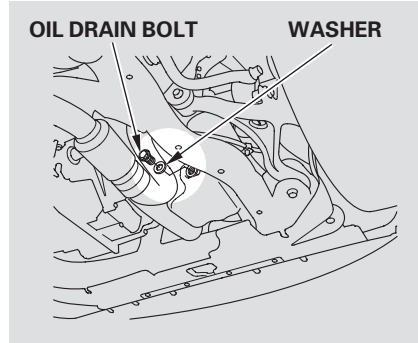
Your vehicle does not require any oil additives. Additives may adversely affect your engine's or transmission's performance and durability.

Changing the Oil and Filter

Always change the oil and filter according to the recommendations in the maintenance schedule. The oil and filter collect contaminants that can damage your engine if they are not removed regularly.

Changing the oil and filter requires special tools and access from underneath the vehicle. The vehicle should be raised on a service station-type hydraulic lift for this service. Unless you have the knowledge and proper equipment, you should have this maintenance done by a skilled mechanic.

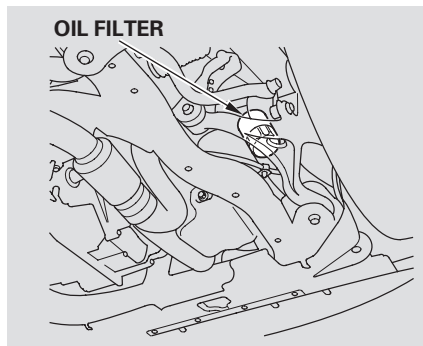
1. Run the engine until it reaches normal operating temperature, then shut it off.



2. Open the hood and remove the engine oil fill cap. Remove the oil drain bolt and washer from the bottom of the engine. Drain the oil into an appropriate container.

3. Remove the oil filter and let the remaining oil drain. A special wrench (available from your dealer) is required.

Changing the Oil and Filter



4. Install a new oil filter according to the instructions that come with it. Make sure to clean off any dirt and dust on the connecting surface of a new oil filter.
5. Put a new washer on the drain bolt, then reinstall the drain bolt. Tighten it to:
29 lbf·ft (39 N·m , 4.0 kgf·m)
6. Refill the engine with the recommended oil.

Engine oil change capacity (including filter):
4.5 US qt (4.3 ℓ)
7. Replace the engine oil fill cap. Start the engine. The oil pressure indicator should go out within 5 seconds. If it does not, turn off the engine, and check your work.
8. Let the engine run for several minutes, then check the drain bolt and oil filter for leaks.
9. Turn off the engine, let it sit for several minutes, then check the oil level on the dipstick. If necessary, add more oil.

NOTICE

Improper disposal of engine oil can be harmful to the environment. If you change your own oil, please dispose of the used oil properly. Put it in a sealed container and take it to a recycling center. Do not discard it in a trash bin or dump it on the ground.

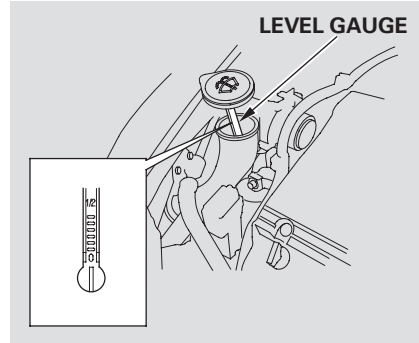
Check the level in the windshield washer reservoir at least monthly during normal use.

Check the reservoir's fluid level by removing the cap and looking at the level gauge attached to the cap.

Canadian model: The low washer level indicator will come on when the level is low (see page 59).

Fill the reservoir with a good-quality windshield washer fluid. This increases the cleaning capability and prevents freezing in cold weather.

When you refill the reservoir, clean the edges of the windshield wiper blades with windshield washer fluid on a clean cloth. This will help to condition the blade edges.

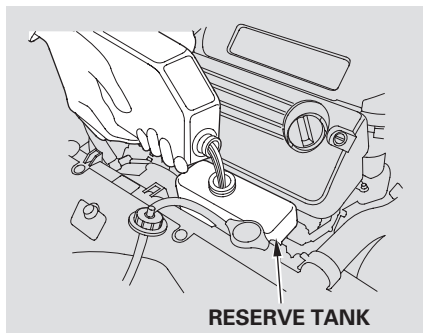


NOTICE

Do not use engine antifreeze or a vinegar/water solution in the windshield washer reservoir. Antifreeze can damage your vehicle's paint, while a vinegar/water solution can damage the windshield washer pump. Use only commercially-available windshield washer fluid.

Engine Coolant

Adding Engine Coolant



If the coolant level in the reserve tank is at or below the MIN line, add coolant to bring it up to the MAX line. Inspect the cooling system for leaks. Always use Honda All Season Antifreeze/Coolant Type 2. This coolant is pre-mixed with 50 percent antifreeze and 50 percent water. Never add straight antifreeze or plain water.

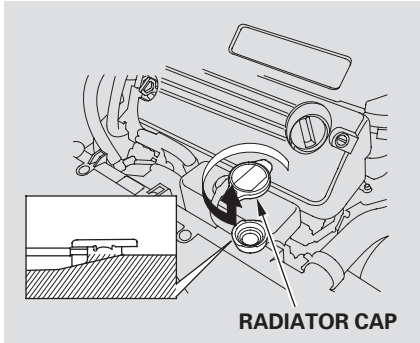
If Honda antifreeze/coolant is not available, you may use another major-brand non-silicate coolant as a temporary replacement. Make sure it is a high-quality coolant recommended for aluminum engines. Continued use of any non-Honda coolant can result in corrosion, causing the cooling system to malfunction or fail. Have the cooling system flushed and refilled with Honda antifreeze/coolant as soon as possible.

If the reserve tank is completely empty, you should also check the coolant level in the radiator.

⚠ WARNING

Removing the radiator cap while the engine is hot can cause the coolant to spray out, seriously scalding you.

Always let the engine and radiator cool down before removing the radiator cap.



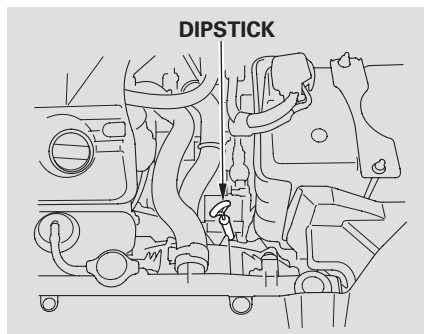
1. Make sure the engine and radiator are cool.
2. Relieve any pressure in the cooling system by turning the radiator cap counterclockwise, without pressing down.
3. Remove the radiator cap by pushing down and turning counterclockwise.
4. The coolant level should be up to the base of the filler neck. Add coolant if it is low.

Pour the coolant slowly and carefully so you do not spill. Clean up any spill immediately; it could damage components in the engine compartment.
5. Put the radiator cap back on and tighten it.
6. Pour coolant into the reserve tank. Fill it to halfway between the MAX and MIN marks. Put the cap back on the reserve tank.

Do not add any rust inhibitors or other additives to your vehicle's cooling system. They may not be compatible with the coolant or engine components.

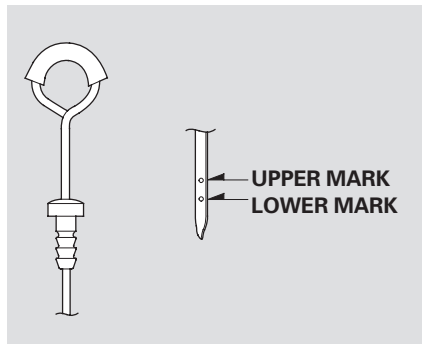
Transmission Fluid

Automatic Transmission



Check the fluid level with the engine at normal operating temperature.

1. Park the vehicle on level ground. Shut off the engine.
2. Remove the dipstick (yellow loop) from the transmission, and wipe it with a clean cloth.



3. Insert the dipstick all the way into the transmission.

Make sure the rubber cap fits in the dipstick guide and the dipstick is down all the way.

4. Remove the dipstick and check the fluid level. It should be between the upper and lower marks.

5. If the level is below the lower mark, remove the fill plug and add fluid into the tube to bring it to the upper mark.

Pour the fluid slowly and carefully so you do not spill any. Clean up any spills immediately; it could damage components in the engine compartment.

Always use Honda ATF-Z1 (Automatic Transmission Fluid). If it's not available, you may use a DEXRON® III automatic transmission fluid as a temporary replacement. However, continued use can affect the shift quality. Have the transmission flushed and refilled with Honda ATF-Z1 as soon as it is convenient.

Transmission Fluid, Brake Fluid, Timing Belt

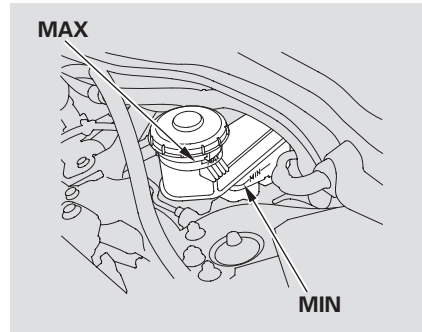
To thoroughly flush the transmission, the technician should drain and refill it with Honda ATF-Z1 (Automatic Transmission Fluid), then drive the vehicle for a short distance. Do this three times. Then drain and refill the transmission a final time.

6. Insert the dipstick all the way back into the transmission.

The transmission should be drained and refilled with new fluid according to the time and distance recommendations in the maintenance schedule.

If you are not sure how to add fluid, contact your dealer.

Brake Fluid



The fluid level should be between the MIN and MAX marks on the side of the reservoir. If the level is at or below the MIN mark, your brake system needs attention. Have the brake system inspected for leaks or worn brake pads.

Timing Belt

The timing belt should be replaced at the intervals shown in the maintenance schedule. Replace the belt at 60,000 miles (100,000 km) if you regularly drive your vehicle in one or more of these conditions:

- In very high temperatures (over 110°F, 43°C).
- In very low temperatures (under -20°F, -29°C).
- Frequently tow a trailer.

Lights

Headlight Aiming

The headlights were properly aimed when your vehicle was new. If you regularly carry heavy items in the trunk or pull a trailer, readjustment may be required. Adjustments should be performed by your dealer or other qualified mechanic.

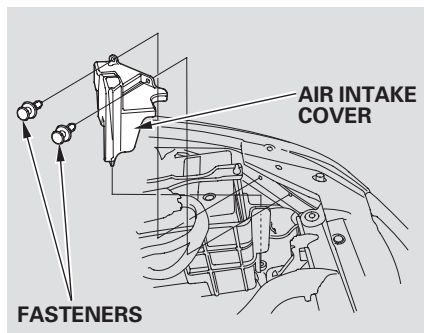
Replacing a Headlight Bulb

Your vehicle has two bulbs on each side, four in total. Make sure you are replacing the bulb that is burned out. Your vehicle uses halogen headlight bulbs. When replacing a bulb, handle it by its plastic case and protect the glass from contact with your skin or hard objects. If you touch the glass, clean it with denatured alcohol and a clean cloth.

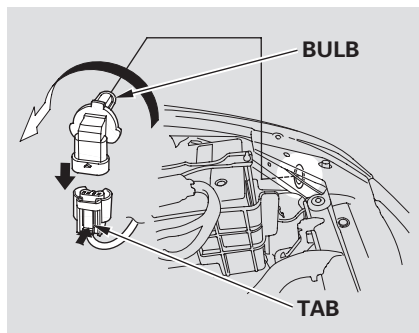
NOTICE

Halogen headlight bulbs get very hot when lit. Oil, perspiration, or a scratch on the glass can cause the bulb to overheat and shatter.

High Beam Headlight



1. Open the hood. To change a bulb on the driver's side, undo the two fasteners and remove the air intake cover.
2. Remove the electrical connector from the bulb by squeezing the connector to unlock the tab, then slide the connector off the bulb.

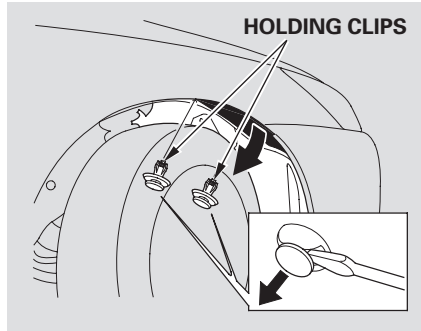


3. Remove the bulb by turning it approximately one-quarter turn counterclockwise.
4. Install the new bulb and turn it one-quarter turn clockwise to lock it in place.

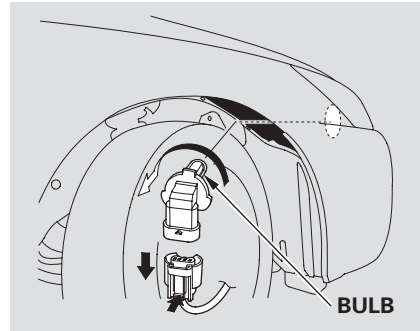
5. Push the electrical connector onto the bulb.
6. Turn on the headlights to test the new bulb.
7. Reinstall the air intake cover. Reinstall the two fasteners and secure them by pushing on the heads until they lock.

Lights

Low Beam Headlight



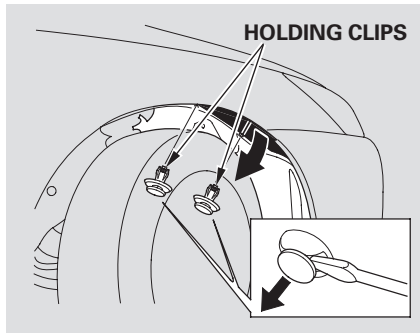
1. To change the passenger's side bulb, start the engine, turn the steering wheel all the way to the left, and turn off the engine. To change the driver's side bulb, turn the steering wheel to the right.
2. Use a flat-tipped screwdriver to remove the two holding clips from the inner fender.



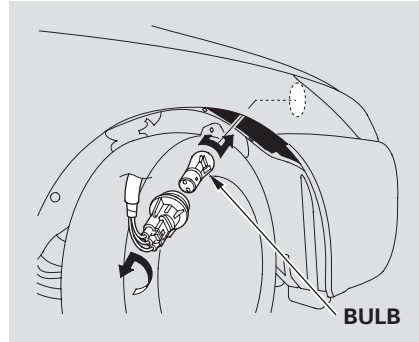
3. Pull the inner fender cover away from the fender and bumper.
4. Remove the bulb by turning it approximately one-quarter turn counterclockwise.
5. Remove the electrical connector from the bulb by squeezing the connector to unlock the tab, then slide the connector off the bulb.

6. Install the new bulb and turn it one-quarter turn clockwise to lock it in place.
7. Push the electrical connector onto the bulb.
8. Turn on the headlights to test the new bulb.
9. Put the inner fender cover in place. Install the two holding clips. Lock each one in place by pushing on the center.

Replacing the Front Side Marker/ Turn Signal and Parking Light Bulb



1. To change the passenger's side bulb, start the engine, turn the steering wheel all the way to the left, and turn off the engine. To change the driver's side bulb, turn the steering wheel to the right.
2. Use a flat-tipped screwdriver to remove the two holding clips from the inner fender.

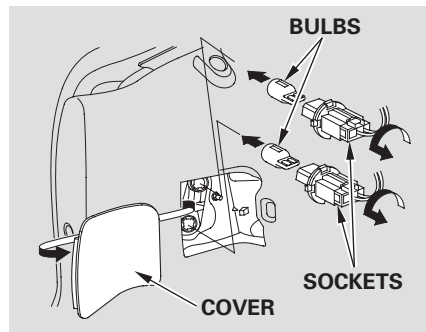


3. Pull the inner fender cover away from the fender and bumper.
4. Remove the socket from the headlight assembly by turning it one-quarter turn counterclockwise.

5. To remove the burned out bulb, push it in and turn it counterclockwise until it unlocks.
6. Install the new bulb and turn it clockwise to lock it in place.
7. Insert the socket into the headlight assembly. Turn it clockwise to lock it in place.
8. Test the new bulb to make sure it works.
9. Put the inner fender cover in place. Install and lock each holding clip by pushing on the center.

Lights

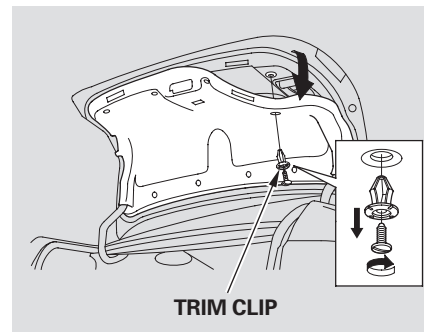
Replacing Rear Bulbs (in Fenders)



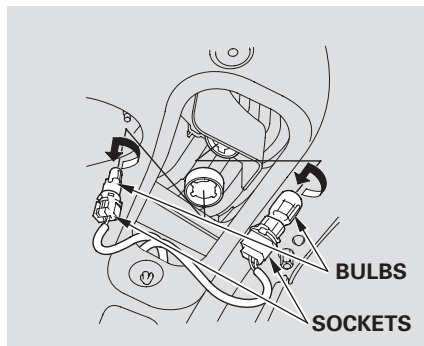
1. Open the trunk.
2. Remove the light assembly cover by pulling its outside edge.
3. Remove the socket by turning it one-quarter turn counterclockwise, and pull the bulb straight out of its socket.

4. Push a new bulb straight into the socket until it bottoms, and reinstall the socket into the light assembly by turning it clockwise until it locks.
5. Test the new bulb to make sure it works.
6. Reinstall the light assembly cover.

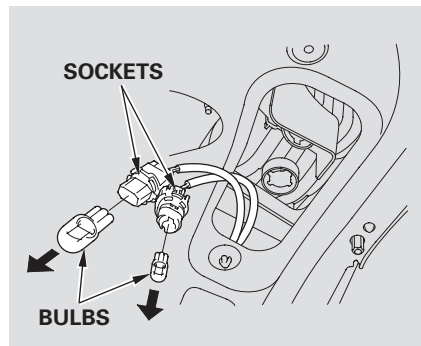
Replacing Rear Bulbs (in Trunk Lid)



1. Open the trunk.
2. Remove the trim clips from the right or left corner of the trunk lid trim by carefully prying them using a small, flat-tip screwdriver wrapped with tape.

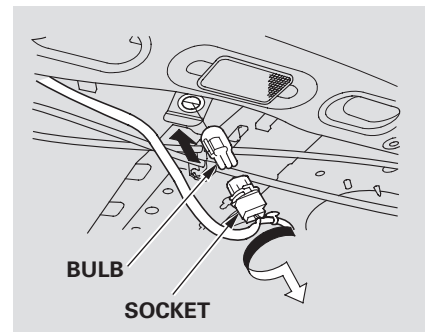


3. Carefully bend back the corner of the trunk lid trim to expose the bulbs.
4. Remove the socket by turning it one-quarter turn counterclockwise, and pull the bulb straight out of its socket.



5. Install a new bulb into the socket, and reinstall the socket into the light assembly.
6. Test the lights.
7. Push the trunk lid trim back into position.
8. Press the trim clips back into their holes.

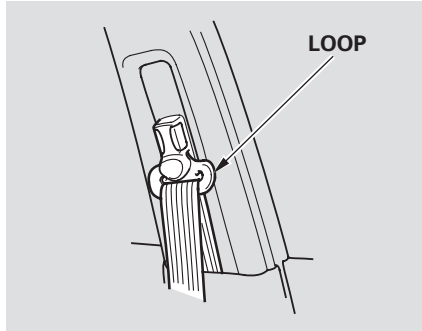
Replacing a High-mount Brake Light Bulb



1. Open the trunk and remove the socket from the light assembly by turning it one-quarter turn counterclockwise.
2. Remove the burned-out bulb by pulling it straight out of the socket.
3. Install the new bulb and reinstall the socket.

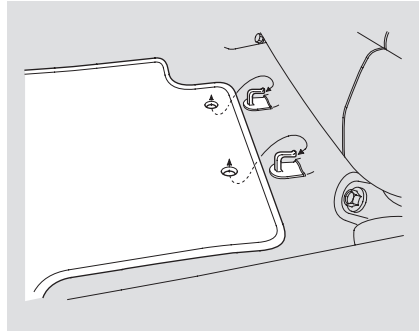
Seat Belts, Floor Mats, Dust and Pollen Filter

Seat Belts



Clean dirty seat belts with a soft brush and a mixture of mild soap and warm water. Do not use bleach, dye, or cleaning solvents that can weaken the belt material. Let the belts air dry before you use the vehicle. Dirt build-up in the loops of the seat belt anchors can cause the belts to retract slowly. Wipe the insides of the loops with a clean cloth dampened in mild soap and warm water or isopropyl alcohol.

Driver's Floor Mat



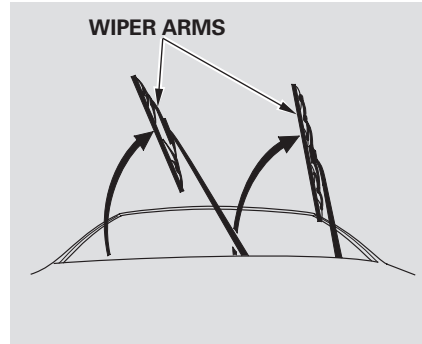
To prevent the driver's floor mat from moving around, make sure it is anchored using the floor mat hooks. If you need to use any other type of floor mat, make sure it can be properly anchored. Do not put additional mats over the anchored mat.

Dust and Pollen Filter

This filter removes the dust and pollen that is brought in from the outside through the heating and cooling system/climate control system.

Have your dealer replace this filter every 30,000 miles (48,000 km) under normal conditions. It should be replaced every 15,000 miles (24,000 km) if you drive primarily in urban areas that have high concentrations of soot in the air, or if the flow from the climate control system becomes less than usual.

Check the condition of the wiper blades at least every six months. Look for signs of cracking in the rubber, or areas that are getting hard. Replace the blades if you find these signs, or if they leave streaks and unwiped areas when used.

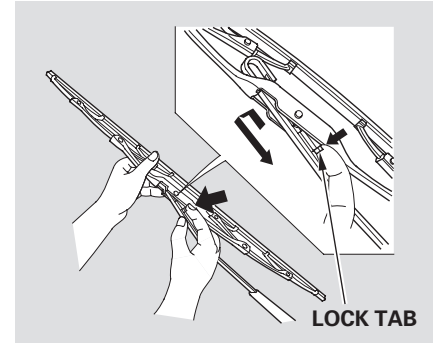


To replace a wiper blade:

1. Raise the wiper arm off the windshield. Raise the driver's side first, then the passenger's side.

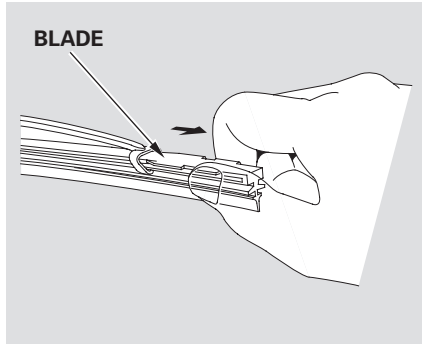
NOTICE

Do not open the hood when the wiper arms are raised, or you will damage the hood and wiper arms.

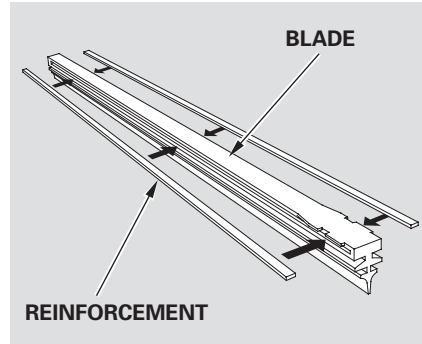


2. Disconnect the blade assembly from the wiper arm by pushing in the lock tab. Hold the lock tab in while you push the blade assembly toward the base of the arm.

Wiper Blades



3. Remove the blade from its holder by grasping the tabbed end of the blade. Pull firmly until the tabs come out of the holder.



4. Examine the new wiper blades. If they have no plastic or metal reinforcement along the back edge, remove the metal reinforcement strips from the old wiper blade, and install them in the slots along the edge of the new blade.

5. Slide the new wiper blade into the holder until the tabs lock.
6. Slide the wiper blade assembly onto the wiper arm. Make sure it locks in place.
7. Lower the wiper arm down against the windshield. Lower the passenger's side first, then the driver's side.

To safely operate your vehicle, your tires must be the proper type and size, in good condition with adequate tread, and correctly inflated.

The following pages give more detailed information on how to take care of your tires and what to do when they need to be replaced.

WARNING

Using tires that are excessively worn or improperly inflated can cause a crash in which you can be seriously hurt or killed.

Follow all instructions in this owner's manual regarding tire inflation and maintenance.

Inflation Guidelines

Keeping the tires properly inflated provides the best combination of handling, tread life, and riding comfort.

- Underinflated tires wear unevenly, adversely affect handling and fuel economy, and are more likely to fail from being overheated.
- Overinflated tires can make your vehicle ride more harshly, are more prone to damage from road hazards, and wear unevenly.

We recommend that you visually check your tires every day. If you think a tire might be low, check it immediately with a tire gauge.

Use a gauge to measure the air pressure in each tire at least once a month. Even tires that are in good condition may lose 1 to 2 psi (10 to 20 kPa, 0.1 to 0.2 kgf/cm²) per month. Remember to check the spare tire at the same time.

Check the air pressures when the tires are cold. This means the vehicle has been parked for at least three hours, or driven less than 1 mile (1.6 km). Add or release air, if needed, to match the recommended cold tire pressures on the next page.

Tires

If you check air pressures when the tires are hot (driven for several miles), you will see readings 4 to 6 psi (30 to 40 kPa, 0.3 to 0.4 kgf/cm²) higher than the cold readings. This is normal. Do not let air out to match the recommended cold air pressure. The tire will be underinflated.

You should get your own tire pressure gauge whenever you check your tire pressures. This will make it easier for you to tell if a pressure loss is due to a tire problem and not due to a variation between gauges.

While tubeless tires have some ability to self-seal if they are punctured, you should look closely for punctures if a tire starts losing pressure.

Recommended Tire Pressure

Keep the inflation pressure of your normal tires at 32 psi (220 kPa, 2.2 kgf/cm²).

On Canadian model

Keep the inflation pressure of your compact spare tire at 60 psi (420 kPa, 4.2 kgf/cm²).

See page [261](#) or refer to the tire placard on the driver's doorjamb for correct tire pressure.

Tire Inspection

Every time you check inflation, you should also examine the tires for damage, foreign objects, and wear.

You should look for:

- Bumps or bulges in the tread or side of the tire. Replace the tire if you find either of these conditions.
- Cuts, splits, or cracks in the side of the tire. Replace the tire if you can see fabric or cord.
- Excessive tread wear.



Your tires have wear indicators molded into the tread. When the tread wears down, you will see a band 1/2 inch (12.7 mm) wide across the tread. This shows there is less than 1/16 inch (1.6 mm) of tread left on the tire.

A tire this worn gives very little traction on wet roads. You should replace the tire if you can see three or more tread wear indicators.

Tire Maintenance

In addition to proper inflation, correct wheel alignment helps to decrease tire wear. If you find a tire is worn unevenly, have your dealer check the wheel alignment.

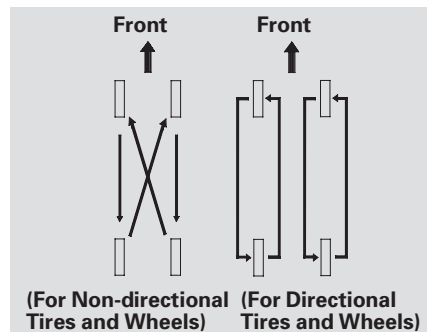
Have your dealer check the tires if you feel a consistent vibration while driving. A tire should always be rebalanced if it is removed from the wheel. When you have new tires installed, make sure they are balanced. This increases riding comfort and tire life. For best results, have the installer perform a dynamic balance.

NOTICE

Improper wheel weights can damage your vehicle's aluminum wheels. Use only genuine Honda wheel weights for balancing.

Tires

Tire Rotation



To help increase tire life and distribute wear more evenly, rotate the tires every 7,500 miles (12,000 km).

Move the tires to the positions shown in the illustration each time they are rotated. If you purchase directional tires, rotate only front-to-back.

Replacing Tires and Wheels

Replace your tires with radial tires of the same size, load range, speed rating, and maximum cold tire pressure rating (as shown on the tire's sidewall).

Mixing radial and bias-ply tires on your vehicle can reduce braking ability, traction, and steering accuracy. Using tires of a different size or construction can cause the ABS to work inconsistently.

It is best to replace all four tires at the same time. If that is not possible or necessary, replace the two front tires or two rear tires as a pair. Replacing just one tire can seriously affect your vehicle's handling.

If you ever replace a wheel, make sure that the wheel's specifications match those of the original wheels. Replacement wheels are available at your dealer.

⚠ WARNING

Installing improper tires on your vehicle can affect handling and stability. This can cause a crash in which you can be seriously hurt or killed.

Always use the size and type of tires recommended in this owner's manual.

Wheels and Tires

Wheel:
16 x 6 1/2 JJ

Tire:
P215/60R16 94V

See page [262](#) for DOT tire quality grading information, and page [264](#) for tire size information.

Winter Driving

Tires marked “M + S” or “All Season” on the sidewall have an all-weather tread design suitable for most winter driving conditions.

For the best performance in snowy or icy conditions, you should install snow tires or tire chains. They may be required by local laws under certain conditions.

Snow Tires

If you mount snow tires on your vehicle, make sure they are radial tires of the same size and load range as original tires. Mount snow tires on all four wheels. The traction provided by snow tires on dry roads may be lower than your original tires. Check with the tire dealer for maximum speed recommendations.

Tires

Tire Chains

Mount snow chains on your tires when required by driving conditions or local laws. Install them only on the front tires.

Because your vehicle has limited tire clearance, Honda strongly recommends using the chains listed below, made by Security Chain Company (SCC).

Cable-types: SCC Radial Chain CH2311T or SCC SC Cable SC1030

When installing cables, follow the manufacturer's instructions, and mount them as tight as you can. Make sure they are not contacting the brake lines or suspension. Drive slowly with them installed. If you hear them coming into contact with the body or chassis, stop and investigate. Remove them as soon as you begin driving on cleared roads.

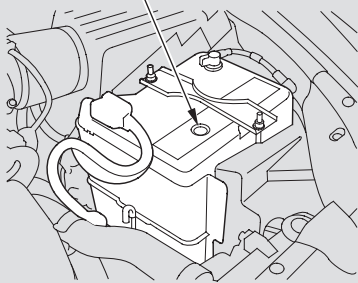
WARNING

Using the wrong chains, or not properly installing chains, can damage the brake lines and cause a crash in which you can be seriously injured or killed.

Follow all instructions in this owner's manual regarding the selection and use of tire chains.

Checking the Battery

TEST INDICATOR WINDOW



Check the condition of the battery monthly by looking at the test indicator window. The label on the battery explains the test indicator's colors.

Check the terminals for corrosion (a white or yellowish powder). To remove it, cover the terminals with a solution of baking soda and water. It will bubble up and turn brown. When this stops, wash it off with plain water. Dry off the battery with a cloth or paper towel. Coat the terminals with grease to help prevent future corrosion.

If additional battery maintenance is needed, see your dealer or a qualified technician.

WARNING: Battery posts, terminals, and related accessories contain lead and lead compounds. **Wash your hands after handling.**

If you need to connect the battery to a charger, disconnect both cables to prevent damaging your vehicle's electrical system. Always disconnect the negative (–) cable first, and reconnect it last.

Checking the Battery, Vehicle Storage

⚠ WARNING

The battery gives off explosive hydrogen gas during normal operation.

A spark or flame can cause the battery to explode with enough force to kill or seriously hurt you.

Wear protective clothing and a face shield, or have a skilled mechanic do the battery maintenance.

Vehicle Storage

If you need to park your vehicle for an extended period (more than one month), there are several things you should do to prepare it for storage. Proper preparation helps prevent deterioration and makes it easier to get your vehicle back on the road. If possible, store your vehicle indoors.

- Fill the fuel tank.
- Change the engine oil and filter.
- Wash and dry the exterior completely.
- Clean the interior. Make sure the carpeting, floor mats, etc., are completely dry.

- Leave the parking brake off. Put the transmission in Park.
 - Block the rear wheels.
 - If the vehicle is to be stored for a longer period, it should be supported on jackstands so the tires are off the ground.
 - Leave one window open slightly (if the vehicle is being stored indoors).
 - Disconnect the 12 volt battery.
- Support the front wiper blade arms with a folded towel or rag so they do not touch the windshield.
 - To minimize sticking, apply a silicone spray lubricant to all door and trunk seals. Also, apply a vehicle body wax to the painted surfaces that mate with the door and trunk seals.
 - Cover the vehicle with a “breathable” cover, one made from a porous material such as cotton. Non-porous materials, such as plastic sheeting, trap moisture, which can damage the paint.
 - Reconnect the 12 volt battery and drive your vehicle every month for about 30 minutes. This will keep the IMA battery charged and in good condition.

If you store your vehicle for 1 year or longer, have your dealer perform the inspections called for in the 2 years/30,000 miles (48,000 km) maintenance schedule (Normal Conditions) as soon as you take it out of storage (see page 194). The replacements called for in the maintenance schedule are not needed unless the vehicle has actually reached that time or mileage.

This section covers the more common problems that motorists experience with their vehicles. It gives you information about how to safely evaluate the problem and what to do to correct it. If the problem has stranded you on the side of the road, you may be able to get going again. If not, you will also find instructions on getting your vehicle towed.

Flat Tire Repair	230
Compact Spare Tire	236
Changing a Flat Tire	237
If the Engine Won't Start.....	240
Nothing Happens or the Starter Motor Operates Very Slowly.....	240
The Starter Operates Normally	241
Jump Starting	242
If the Engine Overheats	244
Low Oil Pressure Indicator	246
Charging System Indicator.....	247
Malfunction Indicator Lamp	247
Readiness Codes.....	248
Brake System Indicator	249
Emergency Towing	250
Fuses	252

Flat Tire Repair (U.S. Model)

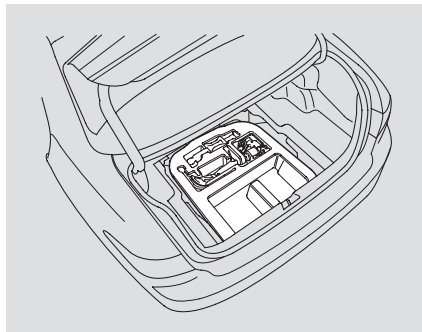
Your vehicle is not equipped with a spare tire. Instead, it has a flat tire repair kit that can allow you to temporarily repair a flat caused by a nail or other small item.

The tire repair kit may not work if;

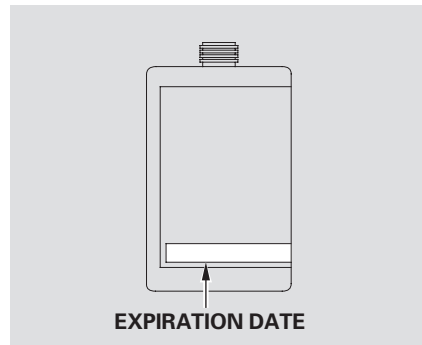
- The puncture is located outside the tread,
- The puncture is wider than about 3/16ths of an inch (4 mm),
- The wheel rim is damaged,
- The tire sealant has expired.

Use of the sealant in the repair kit may void your tire warranty. Check with the tire manufacturer if you have any questions regarding the tire warranty.

How to Use the Tire Repair Kit

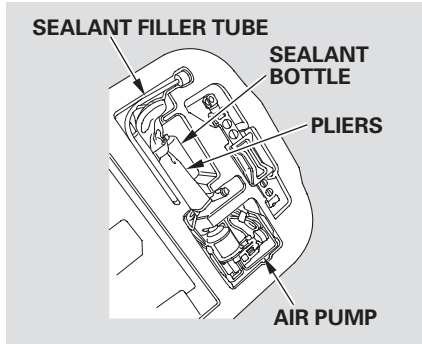


1. Make sure you have parked safely off the road, turned the ignition switch to OFF, and set the parking brake. Then, lift up the trunk floor to access the repair kit.

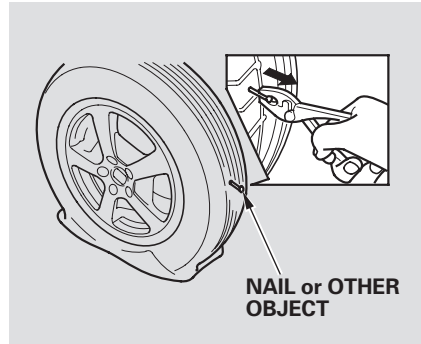


2. Remove the sealant bottle, and check the label to be sure the sealant has not expired.

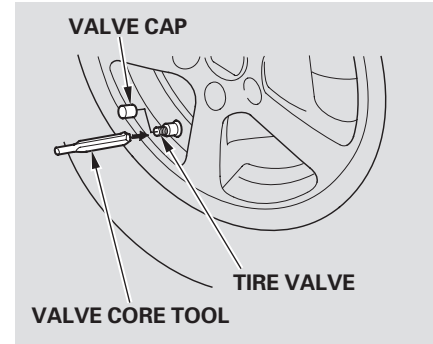
Flat Tire Repair (U.S. Model)



3. If the sealant has not expired, remove the sealant filler tube, the pliers, the air pump, the instruction sheet, and the small plastic bag stored under the sealant bottle, and place these items conveniently near the flat tire.



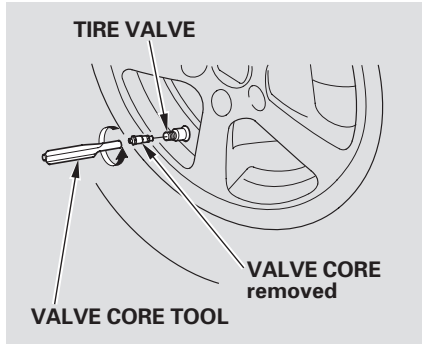
4. If possible, use the pliers to remove the nail or other embedded object.



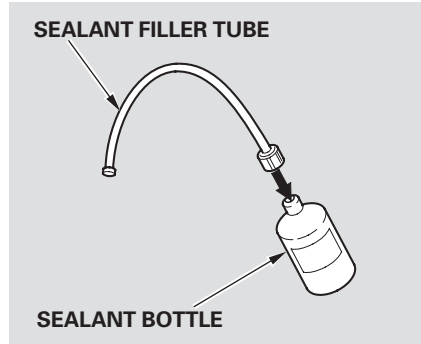
5. Unscrew the tire valve cap. Remove the valve core tool from the plastic bag, insert the knob end of the tool into the valve, and push until the tire is completely deflated.

CONTINUED

Flat Tire Repair (U.S. Model)

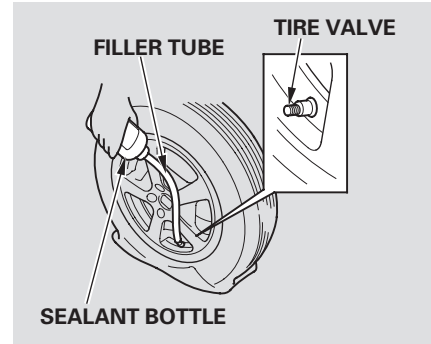


6. Insert the notched end of the valve core tool into the valve, turn counterclockwise, and remove the valve core.



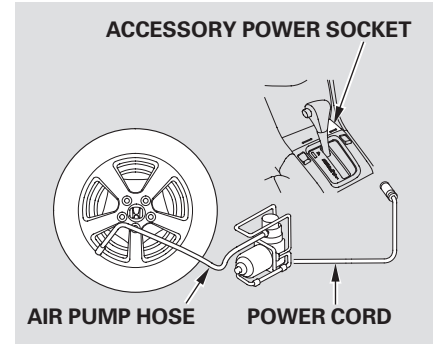
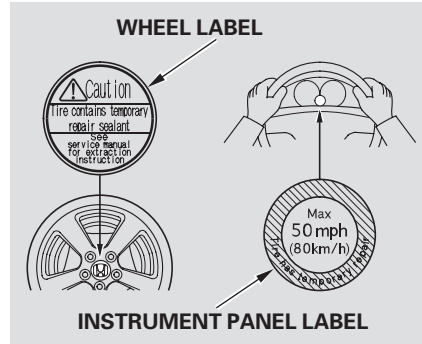
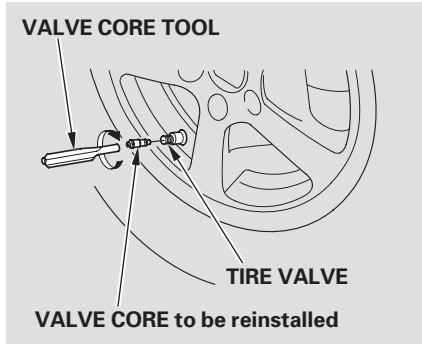
7. Shake the sealant bottle, then screw the sealant filler tube onto the bottle (this will break the aluminum seal).

Be careful handling the bottle as spilled sealant can permanently damage clothing.



8. Remove the plug from the end of the filler tube, slip the tube onto the tire valve, then squeeze all the sealant into the tire.

Flat Tire Repair (U.S. Model)



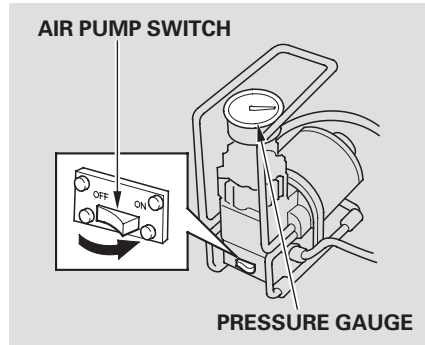
9. Replace the valve core inside the tire valve. (A spare core is provided in the plastic bag in case the original core becomes lost or damaged.)
10. Insert the notched end of the valve core tool into the valve, then turn clockwise to reseal the core. Be careful not to overtighten the core.

11. Remove the labels from the plastic bag. Attach the wheel label onto the center of the wheel (it has important information for the technician making a permanent repair). Attach the instrument panel label onto the instrument panel.

12. Screw the air pump hose onto the tire valve.
13. Route the power cord into the vehicle, through an open window for example. Lift the lid to access the accessory power socket, and insert the power plug into the socket.
14. Turn the ignition switch to ACCESSORY (I).

CONTINUED

Flat Tire Repair (U.S. Model)

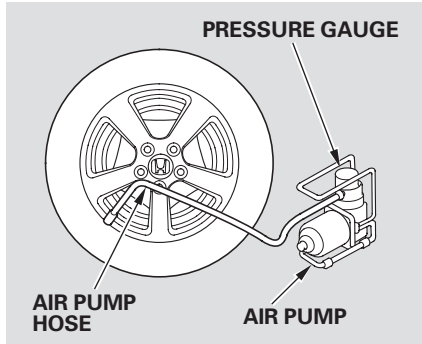


15. Turn the air pump switch on, and fill the tire to 32 psi. (Turn the switch off for an accurate reading.) Do not run the pump for more than 15 minutes or the pump will overheat.

If the tire does not inflate to 32 psi, stop the procedures, and call or wait for help.

16. If the tire properly inflates to 32 psi, replace the valve cap and store all repair kit items. Keep the air pump handy, as you will need to use it again.

17. Immediately drive for 10 minutes, being sure not exceed 50 mph (80 km/h). This is necessary to distribute the sealant inside the tire and give it a chance to work.



18. Safely stop to check if the sealant is working. Remove the tire valve cap, screw the air pump hose onto the tire valve, and check the air gauge. (You do not need to attach the power cord or turn the air pump switch on.)

If the air pressure is less than 19 psi, do not continue procedures. The repair did not work. Call or wait for help.

If the pressure is 32 psi, continue driving at no more than 50 mph (80 km/h) to the nearest service station for assistance.

If the pressure is between 19 and 32 psi, add air to 32 psi as described in Steps 12 – 14, then drive to nearest service station.

Be sure to have the damaged tire permanently repaired or replaced as soon as possible.

Compact Spare Tire (Canadian Model)

Use the compact spare tire as a temporary replacement only. Get your regular tire repaired or replaced, and put it back on your vehicle as soon as you can.

Check the inflation pressure of the compact spare tire every time you check the other tires. It should be inflated to:

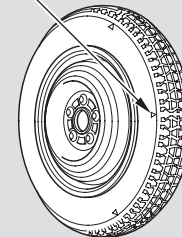
60 psi (420 kPa , 4.2 kgf/cm²)

Follow these precautions:

- Never exceed 50 mph (80 km/h).
- This tire gives a harsher ride and less traction on some road surfaces. Use greater caution while driving.

- Do not mount snow chains on the compact spare tire.
- Do not use the compact spare tire if you are towing a trailer.
- Do not use your compact spare tire on another vehicle unless it is the same make and model.
- Turn off the TCS (see page 180). Driving with the compact spare tire installed may activate the TCS.

INDICATOR LOCATION MARK



TREAD WEAR INDICATOR BAR

Replace the tire when you can see the tread wear indicator bars. The replacement should be the same size and design tire, mounted on the same wheel. The spare tire is not designed to be mounted on a regular wheel, and the spare wheel is not designed for mounting a regular tire.

Changing a Flat Tire (Canadian Model)

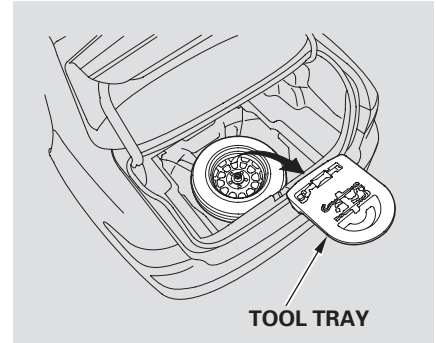
If you have a flat tire while driving, stop in a safe place to change it. Drive slowly along the shoulder until you get to an exit or an area that is far away from the traffic lanes.

⚠ WARNING

The vehicle can easily roll off the jack, seriously injuring anyone underneath.

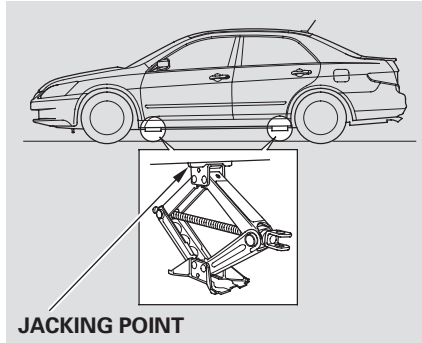
Follow the directions for changing a tire exactly, and never get under the vehicle when it is supported only by the jack.

1. Park the vehicle on firm, level, and non-slippery ground. Put the transmission in Park. Apply the parking brake.
2. Turn on the hazard warning lights, and turn the ignition switch to LOCK (0). Keep your passengers out of the vehicle while changing a tire.
3. Open the trunk and raise the trunk floor by lifting up on the back edge.

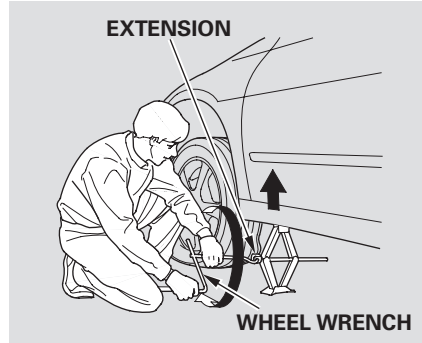


4. Take the tool tray out of the trunk, and take the tools out of the tool tray.
5. Unscrew the wing bolt and take the spare tire out of its well.
6. Loosen the wheel nuts 1/2 of a turn with the wheel wrench.

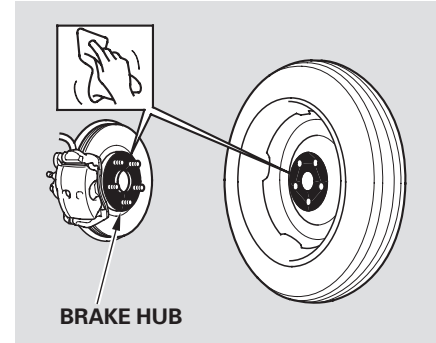
Changing a Flat Tire (Canadian Model)



7. Place the jack under the jacking point nearest the tire you need to change. Turn the end bracket clockwise until the top of the jack contacts the jacking point. Make sure the jacking point tab is resting in the jack notch.

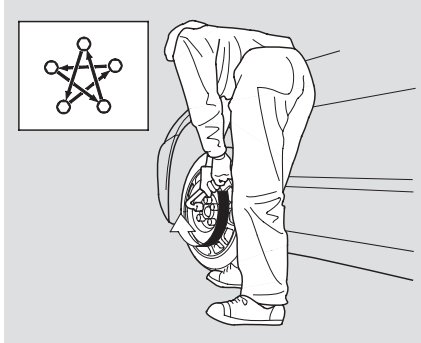


8. Use the extension and the wheel nut wrench as shown to raise the vehicle until the flat tire is off the ground.
9. Remove the wheel nuts and flat tire. Place the flat tire on the ground with the outside surface of the wheel facing up.

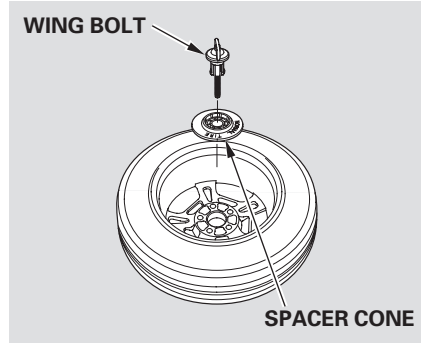


10. Before mounting the spare tire, wipe any dirt off the mounting surface of the wheel and hub with a clean cloth. Wipe the hub carefully; it may be hot from driving.

Changing a Flat Tire (Canadian Model)



11. Put on the spare tire. Put the wheel nuts back on finger-tight, then tighten them in a crisscross pattern with the wheel nut wrench until the wheel is firmly against the hub. Do not try to tighten them fully.
12. Lower the vehicle to the ground and remove the jack.



13. Tighten the wheel nuts securely in the same crisscross pattern. Have the wheel nut torque checked at the nearest automotive service facility.
Tighten the wheel nuts to:
80 lbf·ft (108 N·m , 11 kgf·m)

14. Remove the center cap before storing the flat tire in the trunk well.
15. Place the flat tire face down in the spare tire well.
16. Remove the spacer cone from the wing bolt, turn it over, and put it back on the bolt.
17. Secure the flat tire by screwing the wing bolt back into its hole.
18. Store the jack in its holder. Turn the jack's end bracket to lock it in place. Replace the cover. Store the tools.

CONTINUED

Changing a Flat Tire (Canadian Model), If the Engine Won't Start

⚠ WARNING

Loose items can fly around the interior in a crash and could seriously injure the occupants.

Store the wheel, jack, and tools securely before driving.

19. Store the wheel cover or center cap in the trunk. Make sure it does not get scratched or damaged.

If the Engine Won't Start

Diagnosing why the engine won't start falls into two areas, depending on what you hear when you turn the key to START (III):

- You hear nothing, or almost nothing. The engine's starter motor does not operate at all, or operates very slowly.
- You can hear the starter motor operating normally, or the starter motor sounds like it is spinning faster than normal, but the engine does not start up and run.

Nothing Happens or the Starter Motor Operates Very Slowly

When you turn the ignition switch to START (III), you do not hear the normal noise of the engine trying to start. You may hear a clicking sound or series of clicks, or nothing at all.

Check these things:

- Check the transmission interlock. If you have a manual transmission, the clutch pedal must be pushed all the way to the floor or the starter will not operate. With an automatic transmission, it must be in Park or Neutral.
- Turn the ignition switch to ON (II). Turn on the headlights, and check their brightness. If the headlights are very dim or do not come on at all, the battery is discharged. See **Jump Starting** on page [242](#).

- Turn the ignition switch to START (III). If the headlights do not dim, check the condition of the fuses. If the fuses are OK, there is probably something wrong with the electrical circuit for the ignition switch or starter motor. You will need a qualified technician to determine the problem (see **Emergency Towing** on page 250).

If the headlights dim noticeably or go out when you try to start the engine, either the battery is discharged or the connections are corroded. Check the condition of the battery connections (see page 225). You can then try jump starting the vehicle from a booster battery (see page 242).

The Starter Operates Normally

In this case, the starter motor's speed sounds normal, or even faster than normal, when you turn the ignition switch to START (III), but the engine does not run.

- Are you using the proper starting procedure? Refer to **Starting the Engine** on page 167.
- Are you using a properly coded key? An improperly coded key will cause the immobilizer system indicator in the instrument panel to blink rapidly (see page 78).

- Do you have fuel? Check the fuel gauge; the low fuel indicator may not be working.
- There may be an electrical problem, such as no power to the fuel pump. Check all the fuses (see page 252).

If you find nothing wrong, you will need a qualified technician to find the problem. See **Emergency Towing** on page 250.

Jump Starting

Although this seems like a simple procedure, you should take several precautions.

⚠ WARNING

A battery can explode if you do not follow the correct procedure, seriously injuring anyone nearby.

Keep all sparks, open flames, and smoking materials away from the battery.

You cannot start your vehicle by pushing or pulling it.

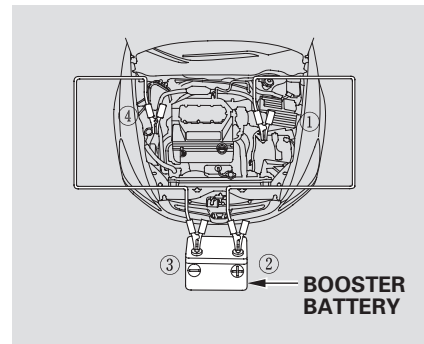
To jump start your vehicle:

1. Open the hood, and check the physical condition of the battery. In very cold weather, check the condition of the electrolyte. If it seems slushy or frozen, do not try jump starting until it thaws.

NOTICE

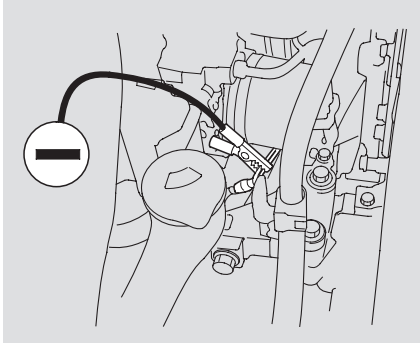
If a battery sits in extreme cold, the electrolyte inside can freeze. Attempting to jump start with a frozen battery can cause it to rupture.

2. Turn off all the electrical accessories: heater, A/C, climate control, stereo system, lights, etc. Put the transmission in Neutral or Park, and set the parking brake.



The numbers in the illustration show the order to connect the jumper cable.

3. Connect one jumper cable to the positive (+) terminal on your battery. Connect the other end to the positive (+) terminal on the booster battery.



4. Connect the second jumper cable to the negative (–) terminal on the booster battery. Connect the other end to the grounding strap as shown. Do not connect this jumper cable to any other part of the engine.
5. If the booster battery is in another vehicle, have an assistant start that vehicle and run it at a fast idle.
6. Start the vehicle. If the starter motor still operates slowly, check that the jumper cables have good metal-to-metal contact.
7. Once your vehicle is running, disconnect the negative cable from your vehicle, then from the booster battery. Disconnect the positive cable from your vehicle, then from the booster battery.

Keep the ends of the jumper cables away from each other and any metal on the vehicle until everything is disconnected. Otherwise, you may cause an electrical short.

If the Engine Overheats

The pointer of the vehicle's temperature gauge should stay in the midrange. If it climbs to the red mark, you should determine the reason (hot day, driving up a steep hill, etc.).

If your vehicle overheats, you should take immediate action. The only indication may be the temperature gauge climbing to or above the red mark. Or you may see steam or spray coming from under the hood.

NOTICE

Driving with the temperature gauge pointer at the red mark can cause serious damage to your engine.

WARNING

Steam and spray from an overheated engine can seriously scald you.

Do not open the hood if steam is coming out.

1. Safely pull to the side of the road. Put the transmission in Neutral or Park, and set the parking brake. Turn off all accessories, and turn on the hazard warning indicators.
2. If you see steam and/or spray coming from under the hood, turn off the engine. Wait until you see no more signs of steam or spray, then open the hood.
3. If you do not see steam or spray, leave the engine running, and watch the temperature gauge. If the high heat is due to overloading, the engine should start to cool down almost immediately. If it does, wait until the temperature gauge comes down to the midpoint, then continue driving.
4. If the temperature gauge stays at the red mark, turn off the engine.
5. Look for any obvious coolant leaks, such as a split radiator hose. Everything is still extremely hot, so use caution. If you find a leak, it must be repaired before you continue driving (see **Emergency Towing** on page [250](#)).

If the Engine Overheats

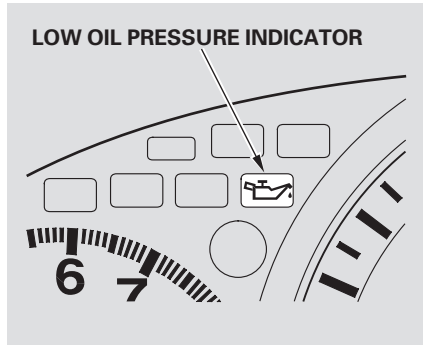
6. If you do not find an obvious leak, check the coolant level in the radiator reserve tank. Add coolant if the level is below the MIN mark.
7. If there was no coolant in the reserve tank, you may need to add coolant to the radiator. Let the engine cool down until the pointer reaches the middle of the temperature gauge, or lower, before checking the radiator.
8. Using gloves or a large heavy cloth, turn the radiator cap counterclockwise, without pushing down, to the first stop. After the pressure releases, push down on the cap, and turn it until it comes off.
9. Start the engine and set the temperature control dial to maximum (climate control to FULL AUTO at 90°F/32°C). Add coolant to the radiator up to the base of the filler neck. If you do not have the proper coolant mixture available, you can add plain water. Remember to have the cooling system drained and refilled with the proper mixture as soon as you can.
10. Put the radiator cap back on tightly. Run the engine, and watch the temperature gauge. If it goes back to the red mark, the engine needs repair (see **Emergency Towing** on page 250).
11. If the temperature stays normal, check the coolant level in the radiator reserve tank. If it has gone down, add coolant to the MAX mark. Put the cap back on tightly.

WARNING

Removing the radiator cap while the engine is hot can cause the coolant to spray out, seriously scalding you.

Always let the engine and radiator cool down before removing the radiator cap.

Low Oil Pressure Indicator



This indicator should never come on when the engine is running. If it starts flashing or stays on, the oil pressure has dropped very low or lost pressure. Serious engine damage is possible and you should take immediate action.

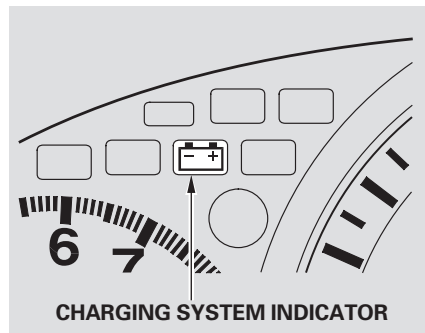
NOTICE

Running the engine with low oil pressure can cause serious mechanical damage almost immediately. Turn off the engine as soon as you can safely get the vehicle stopped.

1. Safely pull off the road, and shut off the engine. Turn on the hazard warning indicators.
2. Let the vehicle sit for a minute. Open the hood, and check the oil level (see page [155](#)). An engine very low on oil can lose pressure during cornering and other driving maneuvers.
3. If necessary, add oil to bring the level back to the full mark on the dipstick (see page [201](#)).
4. Start the engine and watch the oil pressure indicator. If it does not go out within 10 seconds, turn off the engine. There is a mechanical problem that needs to be repaired before you can continue driving (see **Emergency Towing** on page [250](#)).

Charging System Indicator, Malfunction Indicator Lamp

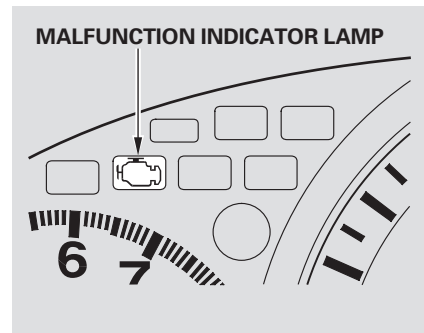
Charging System Indicator



If the charging system indicator comes on brightly when the engine is running, the battery is not being charged.

Immediately turn off all electrical accessories. Try not to use other electrically operated controls such as the power windows. Keep the engine running; starting the engine will discharge the battery rapidly. Go to your dealer to have the vehicle inspected.

Malfunction Indicator Lamp



If the indicator comes on while driving, it means one of the engine's emission control systems may have a problem. Even though you may feel no difference in your vehicle's performance, continued operation may cause serious damage.

Malfunction Indicator Lamp

If you have recently refueled your vehicle, the cause of this indicator coming on could be a loose or missing fuel fill cap. Check the cap or replace it. Tightening the cap will not make the indicator turn off immediately; it takes at least three days of normal driving.

If the indicator remains on or the fuel cap was not loose or missing, have the vehicle checked by the dealer as soon as possible.

NOTICE

If you keep driving with the Malfunction Indicator Lamp on, you can damage your vehicle's emissions controls and engine. Those repairs may not be covered by your vehicle's warranties. This indicator may also come on with the "D" indicator.

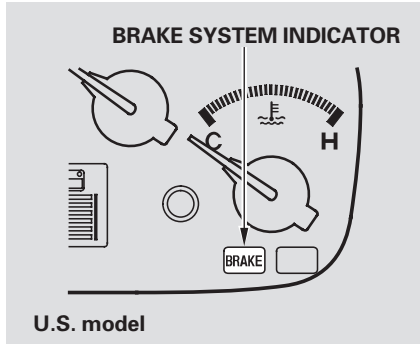
Readiness Codes

Your vehicle has certain "readiness codes" that are part of the on-board diagnostics for the emissions systems. In some states, part of the emissions testing is to make sure these codes are set. If they are not set, the test cannot be completed.

If your vehicle's battery has been disconnected or gone dead, these codes are erased. It takes at least three days of driving under various conditions to set the codes again.

To check if they are set, turn the ignition to ON (II), without starting the engine. The Malfunction Indicator Lamp will come on for 20 seconds. If it then goes off, the readiness codes are set. If it blinks 5 times, the readiness codes are not set. If possible, do not take your vehicle for a state emissions test until the readiness codes are set. Refer to **State Emissions Testing** for more information (see page [268](#)).

Brake System Indicator



If this indicator comes on while driving, the brake fluid level is probably low in the reservoir. Press lightly on the brake pedal to see if it feels normal. If it does, check the brake fluid level the next time you stop at a service station (see page 209). If the fluid level is low, take the vehicle to your dealer and have the brake system inspected for leaks or worn brake pads.

However, if the brake pedal does not feel normal, you should take immediate action. A problem in one part of the system's dual circuit design will still give you braking at two wheels. You will feel the brake pedal go down much farther before the vehicle begins to slow down, and you will have to press harder on the pedal.

Slow down by shifting to a lower gear, and pull to the side of the road when it is safe. Because of the long distance needed to stop, it is hazardous to drive the vehicle. You should have it towed and repaired as soon as possible (see **Emergency Towing** on page 250).

If you must drive the vehicle a short distance in this condition, drive slowly and carefully.

If the ABS indicator comes on with this indicator, have the vehicle inspected by your dealer immediately.

Emergency Towing

If your vehicle needs to be towed, call a professional towing service or an organization. Never tow your vehicle with just a rope or chain. It is very dangerous.

There are two ways to tow your vehicle.

Flat-bed Equipment — The operator loads your vehicle on the back of a truck. **This is the best way to transport your vehicle.**

Wheel-lift Equipment — The tow truck uses two pivoting arms that go under the tires (front or rear) and lift them off the ground. The other two tires remain on the ground. **This is an acceptable way to tow your vehicle.**

If, due to damage, your vehicle must be towed with the front wheels on the ground, do the following:

- Release the parking brake.
- Start the engine.
- Shift to D, then to N.
- Turn off the engine.

NOTICE

Improper towing preparation will damage the transmission. Follow the above procedure exactly. If you cannot shift the transmission or start the engine (automatic transmission), your vehicle must be transported with the front wheels off the ground.

With the front wheels on the ground, it is best to tow the vehicle no farther than 50 miles (80 km), and keep the speed below 35 mph (55 km/h).

If your vehicle is equipped with a front spoiler, remove it before towing so it is not damaged.

NOTICE

Trying to lift or tow your vehicle by the bumpers will cause serious damage. The bumpers are not designed to support the vehicle's weight.

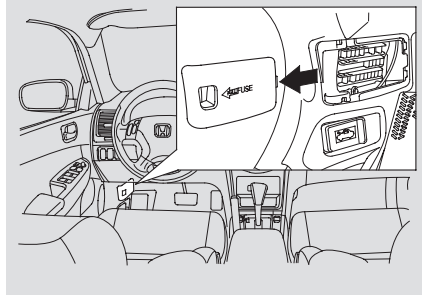
If you decide to tow your vehicle with all four wheels on the ground, make sure you use a properly-designed and attached tow bar. Prepare the vehicle for towing as described above, and leave the ignition switch in Accessory (I) so the steering wheel does not lock. Make sure the radio and any items plugged into the accessory power socket are turned off so they do not run down the battery.

NOTICE

The steering system can be damaged if the steering wheel is locked. Leave the ignition switch in ACCESSORY (I), and make sure the steering wheel turns freely before you begin towing.

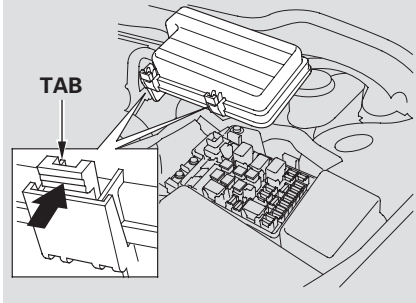
Fuses

INTERIOR



The interior fuse box is on the driver's lower left side. To remove the fuse box lid, pull it toward you and take it out of its hinges.

UNDER-HOOD

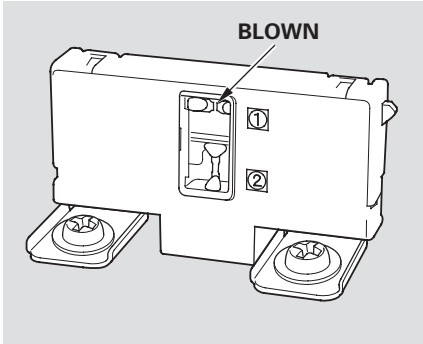


The under-hood fuse box is located near the back of the engine compartment on the driver's side. To open it, push the tabs as shown.

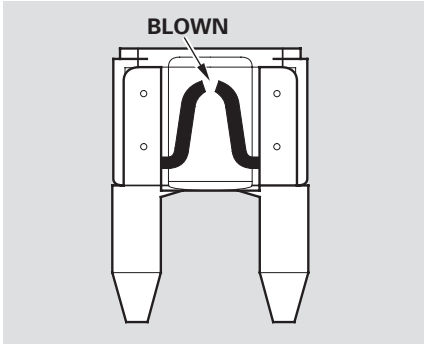
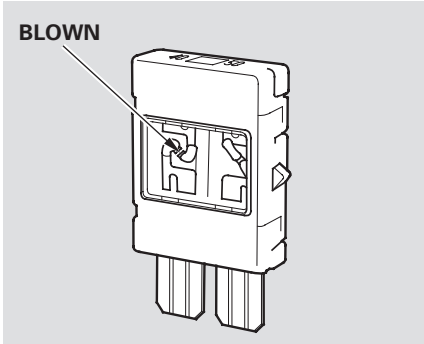
Checking and Replacing Fuses

If something electrical in your vehicle stops working, the first thing you should check for is a blown fuse. Determine from the chart on pages [255](#) and [256](#), or the diagram on the fuse box lid, which fuse or fuses control that component. Check those fuses first, but check all the fuses before deciding that a blown fuse is not the cause. Replace any blown fuses and check if the device works.

1. Turn the ignition switch to LOCK (0). Make sure the headlights and all other accessories are off.
2. Remove the cover from the fuse box.



3. Check each of the large fuses in the under-hood fuse box by looking at the wire inside. Removing these fuses requires a Phillips-head screwdriver.



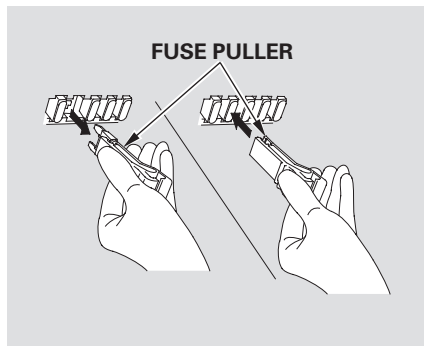
4. Check the smaller fuses in the under-hood fuse box and all the fuses in the interior fuse box by pulling out each one with the fuse puller provided in the under-hood fuse box.

5. Look for a burned wire inside the fuse. If it is burned, replace it with one of the spare fuses of the same rating or lower.

CONTINUED

Taking Care of the Unexpected

Fuses



If you cannot drive the vehicle without fixing the problem, and you do not have a spare fuse, take a fuse of the same rating or a lower rating from one of the other circuits with the fuse puller provided in the underhood fuse box. Make sure you can do without that circuit temporarily (such as the accessory power socket or radio).

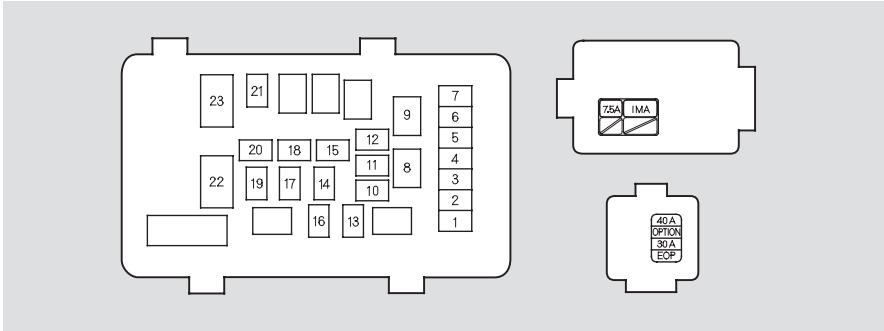
If you replace the blown fuse with a spare fuse that has a lower rating, it might blow out again. This does not indicate anything wrong. Replace the fuse with one of the correct rating as soon as you can.

NOTICE

Replacing a fuse with one that has a higher rating greatly increases the chances of damaging the electrical system. If you do not have a replacement fuse with the proper rating for the circuit, install one with a lower rating.

6. If the replacement fuse of the same rating blows in a short time, there is probably a serious electrical problem with your vehicle. Leave the blown fuse in that circuit, and have your vehicle checked by a qualified mechanic.

UNDER-HOOD FUSE/RELAY BOX



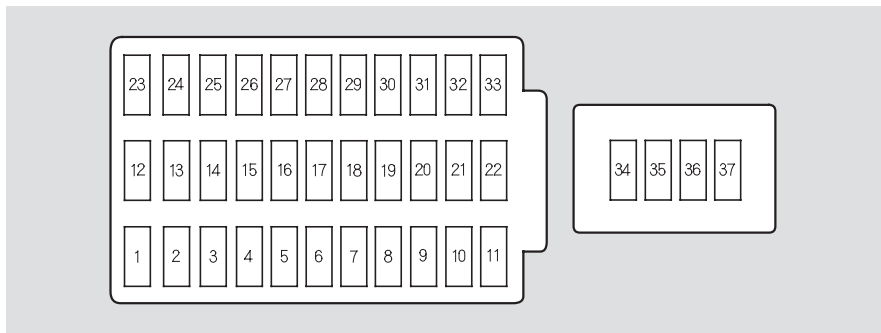
No.	Amps.	Circuits Protected
1	10 A	Left Headlight Low
2	30 A	Rear Defroster Coil
3	10 A	Left Headlight Hi
4	15 A	Small Light
5	10 A	Right Headlight Hi

No.	Amps.	Circuits Protected
6	10 A	Right Headlight Low
7	7.5 A	Back Up
8	15 A	FI ECU
9	20 A	Condenser fan
10	—	Not Used

No.	Amps.	Circuits Protected
11	30 A	Cooling Fan
12	7.5 A	MG. Clutch
13	20 A	Horn, Stop
14	40 A	Rear Defroster
15	40 A	Back Up, ACC
16	15 A	Hazard
17	30 A	TCS Motor
18	40 A	TCS
19	40 A	Ignition Coil, DRL (Canada)
20	40 A	Power Seats, Seat Heaters
21	40 A	Heater Motor
22	120 A	Battery
	70 A	EPS
23	50 A	+B IGI Main
	50 A	Power Window Main

Fuses

INTERIOR FUSE BOX



No.	Amps.	Circuits Protected
1	15 A	Drive by Wire
2	15 A	Ignition Coil
3*	10 A	Day Light
4	15 A	Laf Heater
5	10 A	Radio
6	7.5 A	Interior Light
7	10 A	Back-Up Lights
8	20 A	Door Lock
9	20 A	Front Accessory Sockets

* : On Canadian model

No.	Amps.	Circuits Protected
10	7.5 A	IG OPDS
11	30 A	IG Wiper
12	—	Not Used
13	—	Not Used
14	20 A	Driver's Power Seat (Slide)
15	20 A	Heated Seat
16	20 A	Driver's Power Seat (Recline)

No.	Amps.	Circuits Protected
17	—	Not Used
18	15 A	IG ACG
19	15 A	IG Fuel Pump
20	7.5 A	IG Washer
21	7.5 A	IG Meter
22	10 A	IG SRS
23	7.5 A	IGP
24	20 A	Power Window (Left Rear)
25	20 A	Power Window (Right Rear)
26	20 A	Power Window (Passenger)
27	20 A	Power Window (Driver)
28	—	Not Used
29	7.5 A	Hybrid HAC
30	7.5 A	IG HAC
31	—	Not Used
32	7.5 A	ACC
33	—	Not Used
34	20 A	Rear Accessory Socket
35	7.5 A	STS
36	15 A	ACM
37	10 A	IMA

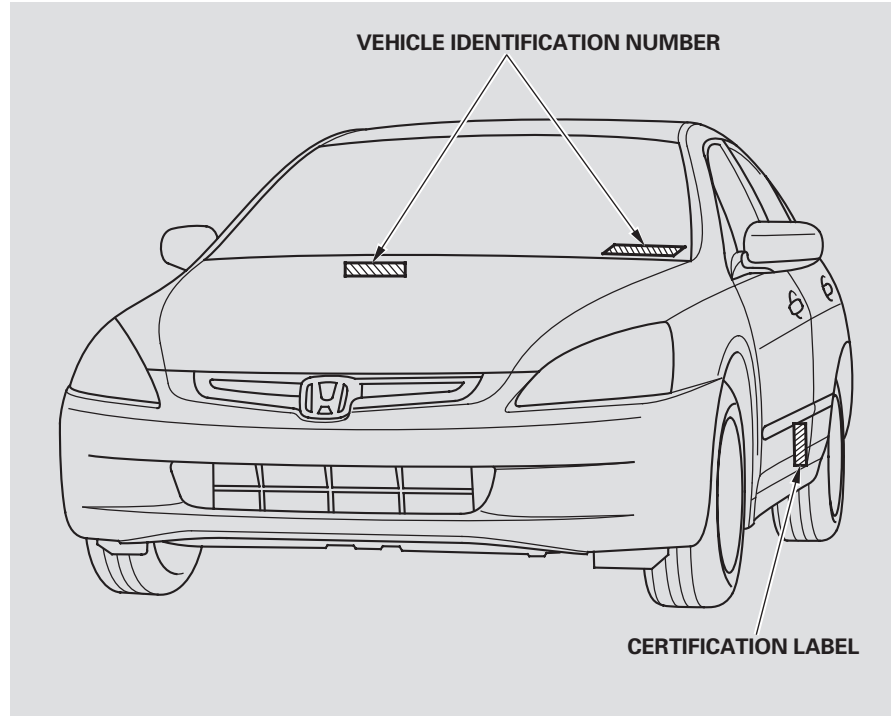
The diagrams in this section give you the dimensions and capacities of your vehicle, and the locations of the identification numbers. It also includes information you should know about your vehicle's tires and emissions control systems.

Identification Numbers.....	258	Replacement Parts.....	266
Specifications	260	Three Way Catalytic Converter...	267
DOT Tire Quality Grading		State Emissions Testing	268
(U. S. Vehicles)	262		
Uniform Tire Quality			
Grading	262		
Treadwear	262		
Traction.....	262		
Temperature	263		
Tire Labeling.....	264		
Emissions Controls.....	265		
The Clean Air Act.....	265		
Crankcase Emissions Control			
System.....	265		
Evaporative Emissions Control			
System.....	265		
Onboard Refueling Vapor			
Recovery	265		
Exhaust Emissions Controls...	266		
PGM-FI System	266		
Ignition Timing Control			
System.....	266		
Exhaust Gas Recirculation			
(EGR) System.....	266		
Three Way Catalytic			
Converter.....	266		

Identification Numbers

Your vehicle has several identifying numbers in various places.

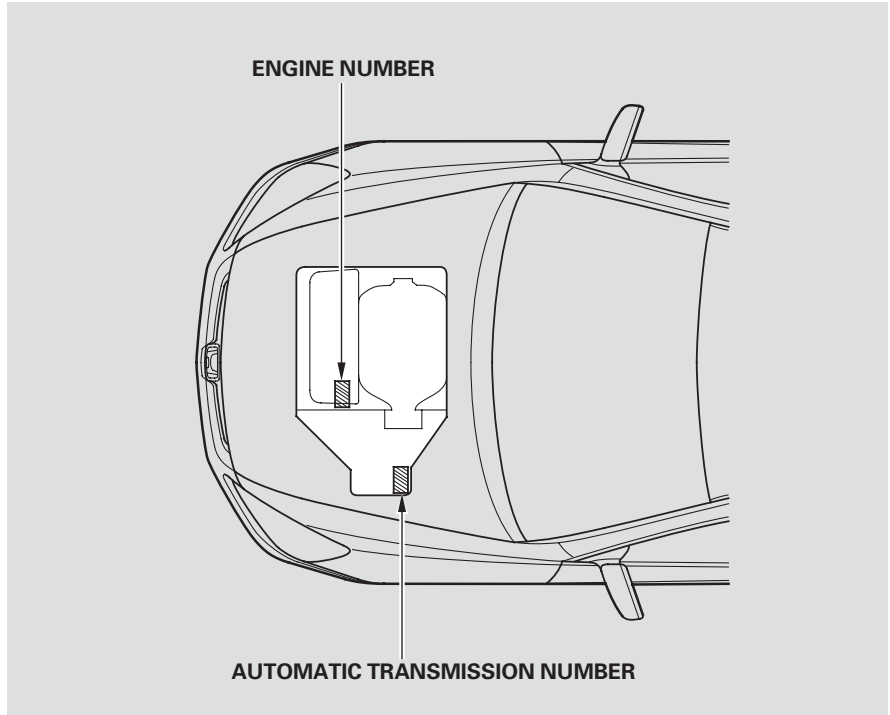
The Vehicle Identification Number (VIN) is the 17-digit number your Honda dealer uses to register your vehicle for warranty purposes. It is also necessary for licensing and insuring your vehicle. The easiest place to find the VIN is on a plate fastened to the top of the dashboard. You can see it by looking through the windshield on the driver's side. It is also on the Certification label attached to the driver's doorjamb, and is stamped on the engine compartment bulkhead. The VIN is also provided in bar code on the Certification label.



Identification Numbers

The engine number is stamped into the engine block. It is on the front.

The transmission number is on a label on top of the transmission.



Specifications

Dimensions

Length	189.5 in (4,813 mm)
Width	71.7 in (1,820 mm)
Height	57.2 in (1,453 mm)
Wheelbase	107.9 in (2,740 mm)
Track	61.1 in (1,553 mm)
Front	
Rear	61.2 in (1,554 mm)

Weights

Gross vehicle weight rating	See the certification label attached to the driver's doorjamb.
-----------------------------	--

Air Conditioning

Refrigerant type	HFC-134a (R-134a)
Charge quantity	16 – 18 oz (450 – 500 g)
Lubricant type	SE-10Y

Capacities

Fuel tank	Approx. 17.09 US gal (64.7 ℓ)
-----------	----------------------------------

Capacities

Engine coolant	Change* ¹	1.77 US gal (6.7 ℓ)
	Total	2.22 US gal (8.4 ℓ)
Engine oil	Change* ²	
	Including filter	4.5 US qt (4.3 ℓ)
	Without filter	4.2 US qt (4.0 ℓ)
	Total	5.3 US qt (5.0 ℓ)
Automatic transmission fluid	Change	3.6 US qt (3.4 ℓ)
	Total	8.5 US qt (8.0 ℓ)
Windshield washer reservoir	U.S. Vehicles	2.6 US qt (2.5 ℓ)
	Canada Vehicles	4.8 US qt (4.5 ℓ)

* 1 : Including the coolant in the reserve tank and that remaining in the engine.

Reserve tank capacity: 0.16 US gal (0.6 ℓ)

* 2 : Excluding the oil remaining in the engine.

Specifications

Lights

Headlights	High	12 V – 60 W (HB3)
	Low	12 V – 51 W (HB4)
Front side marker/Parking/ Turn signal light		12 V – 21 W (Amber)
Rear turn signal lights		12 V – 21 W
Stop/Taillights		12 V – 21/5 W
Taillights		12 V – 2 CP
High-mount brake light		12 V – 21 W
Back-up lights		12 V – 21 W
License plate light		12 V – 3 CP
Front ceiling lights		12 V – 8 W
Center ceiling light		12 V – 8 W
Trunk light		12 V – 5 W
Door courtesy light		12 V – 2 CP
Vanity mirror lights		12 V – 1.1 W

Battery

Capacity	12 V – 52 AH/5 HR
----------	-------------------

Fuses

Interior	See page 256 or the fuse label attached to the inside of the fuse box door on each side of the dashboard.
Under-hood	See page 255 or the fuse box cover.

Engine

Type	SOHC i-VTEC 6-cylinder (V6), gasoline engine
Bore x Stroke	3.39 x 3.39 in (86.0 x 86.0 mm)
Displacement	182.8 cu-in (2,997 cm ³)
Compression ratio	10.5 : 1
Spark plugs	NGK: IZFR6K-11 DENSO: SKJ20DR-M11

Alignment

Toe-in	Front	0.00 in (0.0 mm)
	Rear	0.08 in (2.0 mm)
Camber	Front	0°
	Rear	-1°
Caster	Front	3°15'

Tires

Size	Front/Rear	P215/60R16 94V
	Spare*	T135/90D15
Pressure	Front	32 psi (220 kPa , 2.2 kgf/cm ²)
	Rear	32 psi (220 kPa , 2.2 kgf/cm ²)
	Spare*	60 psi (420 kPa , 4.2 kgf/cm ²)

* : Canadian model

DOT Tire Quality Grading (U.S. Vehicles)

The tires on your vehicle meet all U.S. Federal Safety Requirements. All tires are also graded for treadwear, traction, and temperature performance according to Department of Transportation (DOT) standards. The following explains these gradings.

Uniform Tire Quality Grading

Quality grades can be found where applicable on the tire sidewall between the tread shoulder and the maximum section width. For example:

Treadwear 200

Traction AA

Temperature A

All passenger vehicle tires must conform to Federal Safety Requirements in addition to these grades.

Treadwear

The treadwear grade is a comparative rating based on the wear rate of the tire when tested under controlled conditions on a specified government test course. For example, a tire graded 150 would wear one and one-half (1 1/2) times as well on the government course as a tire graded 100. The relative performance of tires depends upon the actual conditions of their use, however, and may depart significantly from the norm due to variations in driving habits, service practices, and differences in road characteristics and climate.

Traction – AA, A, B, C

The traction grades, from highest to lowest, are AA, A, B, and C. Those grades represent the tire's ability to stop on wet pavement as measured under controlled conditions on specified government test surfaces of asphalt and concrete. A tire marked C may have poor traction performance.

Warning: The traction grade assigned to this tire is based on straight-ahead braking traction tests, and does not include acceleration, cornering, hydroplaning, or peak traction characteristics.

Temperature – A, B, C

The temperature grades are A (the highest), B, and C, representing the tire's resistance to the generation of heat and its ability to dissipate heat when tested under controlled conditions on a specified indoor laboratory test wheel. Sustained high temperature can cause the material of the tire to degenerate and reduce tire life, and excessive temperature can lead to sudden tire failure. The grade C corresponds to a level of performance, which all passenger vehicle tires must meet under the Federal Motor Vehicle Safety Standard No. 109. Grades B and A represent higher levels of performance on the laboratory test wheel than the minimum required by law.

Warning: The temperature grade for this tire is established for a tire that is properly inflated and not overloaded. Excessive speed, underinflation, or excessive loading, either separately or in combination, can cause heat buildup and possible tire failure.

Tire Labeling

Tire Labeling

The tires that came on your vehicle have a number of markings. Those you should be aware of are described below.

Tire Size

Whenever tires are replaced, they should be replaced with tires of the same size. Following is an example of tire size with an explanation of what each component means.

P205/60R16 91V

- P — Vehicle type (P indicates passenger vehicle).
- 205 — Tire width in millimeters.
- 60 — Aspect ratio (the tire's section height as a percentage of its width).
- R — Tire construction code (R indicates radial).

- 16 — Rim diameter in inches.
- 91 — Load index (a numerical code associated with the maximum load the tire can carry).
- V — Speed symbol (an alphabetical code indicating the maximum speed rating).

Tire Identification Number

Tire Identification Number (TIN) is a group of numbers and letters that look like the following example TIN.

DOT B97R FW6X 2202

- DOT — This indicates that the tire meets all requirements of the U.S. Department of Transportation.
- B97R — Manufacturer's identification mark.
- FW6X — Tire type code.

- 2202 — Date of manufacture.

Maximum Tire Pressure

Max Press — The maximum air pressure the tire can hold.

Maximum Tire Load

Max Load — The maximum load the tire can carry at maximum air pressure.

The burning of gasoline in your vehicle's engine produces several by-products. Some of these are carbon monoxide (CO), oxides of nitrogen (NOx) and hydrocarbons (HC). Gasoline evaporating from the tank also produces hydrocarbons. Controlling the production of NOx, CO, and HC is important to the environment. Under certain conditions of sunlight and climate, NOx and HC react to form photochemical "smog." Carbon monoxide does not contribute to smog creation, but it is a poisonous gas.

The Clean Air Act

The United States Clean Air Act* sets standards for automobile emissions. It also requires that automobile manufacturers explain to owners how their emissions controls work and what to do to maintain them. This section summarizes how the emissions controls work.

* In Canada, Honda vehicles comply with the Canadian emission requirements, as specified in an agreement with Environment Canada, at the time they are manufactured.

Crankcase Emissions Control System

Your vehicle has a positive crankcase ventilation system. This keeps gasses that build up in the engine's crankcase from going into the atmosphere. The positive crankcase ventilation valve routes them from the crankcase back to the

intake manifold. They are then drawn into the engine and burned.

Evaporative Emissions Control System

As gasoline evaporates in the fuel tank, an evaporative emissions control canister filled with charcoal adsorbs the vapor. It is stored in this canister while the engine is off. After the engine is started and warmed up, the vapor is drawn into the engine and burned during driving.

Onboard Refueling Vapor Recovery

The onboard refueling vapor recovery (ORVR) system captures the fuel vapors during refueling. The vapors are adsorbed in a canister filled with activated carbon. While driving, the fuel vapors are drawn into the engine and burned off.

Emissions Controls

Exhaust Emissions Controls

The exhaust emissions controls include four systems: PGM-FI, ignition timing control, exhaust gas recirculation and three way catalytic converter. These four systems work together to control the engine's combustion and minimize the amount of HC, CO, and NOx that comes out the tailpipe. The exhaust emissions control systems are separate from the crankcase and evaporative emissions control systems.

PGM-FI System

The PGM-FI system uses sequential multiport fuel injection. It has three subsystems: air intake, engine control, and fuel control. The powertrain control module (PCM) in automatic transmission vehicles or the engine control module (ECM) in manual transmission vehicles uses various sensors to determine how much air is going into the engine. It

then controls how much fuel to inject under all operating conditions.

Ignition Timing Control System

This system constantly adjusts the ignition timing, reducing the amount of HC, CO, and NOx produced.

Exhaust Gas Recirculation (EGR) System

The exhaust gas recirculation (EGR) system takes some of the exhaust gas and routes it back into the intake manifold. Adding exhaust gas to the air/fuel mixture reduces the amount of NOx produced when the fuel is burned.

Three Way Catalytic Converter

The three way catalytic converter is in the exhaust system. Through chemical reactions, it converts HC, CO, and NOx in the engine's exhaust to carbon dioxide (CO₂), nitrogen (N₂), and water vapor.

Replacement Parts

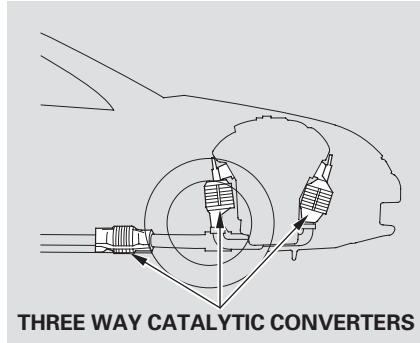
The emissions control systems are designed and certified to work together in reducing emissions to levels that comply with the Clean Air Act. To make sure the emissions remain low, you should use only new Honda replacement parts or their equivalent for repairs. Using lower quality parts may increase the emissions from your vehicle.

The emissions control systems are covered by warranties separate from the rest of your vehicle. Read your warranty manual for more information.

Three Way Catalytic Converter

The three way catalytic converter contains precious metals that serve as catalysts, promoting chemical reactions to convert the exhaust gasses without affecting the metals. The catalytic converter is referred to as a three-way catalyst, since it acts on HC, CO, and NO_x. A replacement unit must be an original Honda part or its equivalent.

The three way catalytic converter must operate at a high temperature for the chemical reactions to take place. It can set on fire any combustible materials that come near it. Park your vehicle away from high grass, dry leaves, or other flammables.



THREE WAY CATALYTIC CONVERTERS

A defective three way catalytic converter contributes to air pollution, and can impair your engine's performance. Follow these guidelines to protect your vehicle's three way catalytic converter.

- Always use unleaded gasoline. Even a small amount of leaded gasoline can contaminate the catalyst metals, making the three way catalytic converter ineffective.

- Keep the engine tuned-up.
- Have your vehicle diagnosed and repaired if it is misfiring, back-firing, stalling, or otherwise not running properly.

State Emissions Testing

Testing of Readiness Codes

If you take your vehicle for a state emissions test shortly after the battery has been disconnected or gone dead, it may not pass the test. This is because of certain “readiness codes” that must be set in the on-board diagnostics for the emissions systems. These codes are erased when the battery is disconnected, and set again only after several days of driving under a variety of conditions.

If the testing facility determines that the readiness codes are not set, you will be requested to return at a later date to complete the test. If you must get the vehicle retested within the next two or three days, you can condition the vehicle for retesting by doing the following.

- Make sure the gas tank is nearly, but not completely full (around 3/4).
- Make sure the vehicle has been parked with the engine off for 8 hours or more.
- Make sure the ambient temperature is between 20° and 95°F.

- Without touching the accelerator pedal, start the engine, and let it idle for 20 seconds.
- Keep the vehicle in Park. Increase the engine speed to 2,000 rpm, and hold it there until the temperature gauge rises to at least 1/4 of the scale (about 3 minutes).

- Select a nearby lightly traveled major highway where you can maintain a speed of 50 to 60 mph (80 to 97 km/h) for at least 20 minutes. Drive on the highway in D. Do not use the cruise control. When traffic allows, drive for 90 seconds without moving the accelerator pedal. (Vehicle speed may vary slightly; this is okay.) If you cannot do this for a continuous 90 seconds because of traffic conditions, drive for at least 30 seconds, then repeat it two more times (for a total of 90 seconds).

- Then drive in city/suburban traffic for at least 10 minutes. When traffic conditions allow, let the vehicle coast for several seconds without using the accelerator pedal or the brake pedal.

If the testing facility determines the readiness codes are still not set, see your dealer.

Warranty and Customer Relations

Customer Service Information.....	272
Warranty Coverages	273
Reporting Safety Defects (U.S. Vehicle)	274
Authorized Manuals	275

Customer Service Information

Honda dealership personnel are trained professionals. They should be able to answer all your questions. If you encounter a problem that your dealership does not solve to your satisfaction, please discuss it with the dealership's management. The service manager or general manager can help. Almost all problems are solved in this way.

If you are dissatisfied with the decision made by the dealership's management, contact your Honda Customer Service Office.

U.S. Owners:
American Honda Motor Co., Inc.
Automobile Customer Service
Mail Stop 500-2N-7A
1919 Torrance Boulevard
Torrance, California 90501-2746

Tel: (800) 999-1009

Canadian Owners:
CUSTOMER RELATIONS
RELATIONS AVEC LA CLIENTÉLE

Honda Canada Inc.
715 Milner Avenue
Toronto, ON
M1B 2K8

Tel: 1-888-9-HONDA-9
Fax: Toll-free 1-877-939-0909
Toronto (416) 287-4776

In Puerto Rico and the U.S. Virgin Islands:

Bella International
P.O. Box 190816
San Juan, Puerto Rico 00919-0816

(787) 250-4318

When you call or write, please give us this information:

- Vehicle Identification Number (see page [258](#))
- Name and address of the dealer who services your vehicle
- Date of purchase
- Mileage on your vehicle
- Your name, address, and telephone number
- A detailed description of the problem
- Name of the dealer who sold the vehicle to you

U.S. Owners

Your new vehicle is covered by these warranties:

New Vehicle Limited Warranty — covers your new vehicle, except for the battery, emissions control systems, and accessories, against defects in materials and workmanship.

Emissions Control Systems Defects Warranty and Emissions Performance Warranty — these two warranties cover your vehicle's emissions control systems. Time, mileage, and coverage are conditional. Please read your warranty manual for exact information.

Original Equipment Battery Limited Warranty — this warranty gives up to 100 percent credit toward a replacement battery.

Seat Belt Limited Warranty — a seat belt that fails to function properly is covered for the useful life of the vehicle.

Rust Perforation Limited Warranty — all exterior body panels are covered for rust-through from the inside for the specified time period with no mileage limit.

Accessory Limited Warranty — Honda accessories are covered under this warranty. Time and mileage limits depend on the type of accessory and other factors. Please read your warranty manual for details.

Replacement Parts Limited Warranty — covers all Honda replacement parts against defects in materials and workmanship.

Replacement Battery Limited Warranty — provides prorated coverage for a replacement battery purchased from your dealer.

Replacement Muffler Lifetime Limited Warranty — provides coverage for as long as the purchaser of the muffler owns the vehicle.

Restrictions and exclusions apply to all these warranties. Please read the 2005 Honda Warranty Information booklet that came with your vehicle for precise information on warranty coverages. Your vehicle's original tires are covered by their manufacturer. Tire warranty information is in a separate booklet.

Canadian Owners

Please refer to the 2005 Warranty Manual that came with your vehicle.

Reporting Safety Defects (U.S. Vehicles)

If you believe that your vehicle has a defect which could cause a crash or could cause injury or death, you should immediately inform the National Highway Traffic Safety Administration (NHTSA), in addition to notifying American Honda Motor Co., Inc.

If NHTSA receives similar complaints, it may open an investigation, and if it finds that a safety defect exists in a group of vehicles, it may order a recall and remedy campaign. However, NHTSA cannot become involved in individual problems between you, your dealer, or American Honda Motor Co., Inc.

To contact NHTSA, you may either call the Auto Safety Hotline toll-free at 1-800-424-9393 (or 366-0123 in Washington D.C. area) or write to: NHTSA, U.S. Department of Transportation, Washington, D.C. 20590. You can also obtain other information about motor vehicle safety from the Hotline.

Purchasing Factory Authorized Manuals (U.S. only)

The publications shown below can be purchased from Helm Incorporated. You can order in any of three ways:

- Detach and mail the order form on the right half of this page
- Call Helm Inc. at 1-800-782-4356 (credit card orders only)
- Go online at www.helminc.com

If you are interested in other years or models, contact Helm Inc. at 1-800-782-4356.

Publication Form Number	Form Description	Price Each*
61SDR00	2005 Honda Accord Hybrid Service Manual Base Book	\$70.00
61SDR00EL	2005 Honda Accord Hybrid Electrical Troubleshooting Manual	\$50.00
61SDR31	2005 Honda Accord Hybrid Body Repair Manual	\$44.00
31SDR600	2005 Honda Accord Hybrid Owner's Manual	\$34.00
31SDR700	2005 Honda Accord Hybrid Navigation Manual	\$29.00
31SDRM00	2005 Honda Accord Hybrid Honda Service History	\$12.00
31SDRQ00	2005 Honda Accord Hybrid Quick Start Guide	\$12.00
HON-R	Order Form for Previous Years- Indicate Year and Model Desired	FREE

* Prices are subject to change without notice and without incurring obligation.

Valid only for sales within the United States. Canadian owners should contact their authorized Honda dealer.

ORDER TOLL FREE: 1-800-782-4356 (NOTE: For Credit Card Holder Orders Only) Monday-Friday 8:00 A.M. — 6:00 P.M. EST
MINIMUM CREDIT CARD PURCHASE \$10.00

OR

By completing this form you can order the materials desired. You can pay by check or money order, or charge to your credit card. Mail to Helm Incorporated at the address shown on the back of the order form.

2005 HONDA	PUBLICATION NUMBER	VEHICLE MODEL		Qty	Price Each*	Total Price
		Name	Year			
* Prices are subject to change without notice and without incurring obligation. Orders are mailed within 10 days. Please allow adequate time for delivery.					TOTAL MATERIAL	
					Mich. Purchases Add 6% Sales Tax	
					HANDLING CHARGE	\$6.95
					GRAND TOTAL	

Authorized Manuals

A

Accessories.....	158
ACCESSORY (Ignition Key Position)	79
Accessory Power Socket	97
Additives, Engine Oil.....	201
Airbag (SRS)	11
Airbag System Components.....	23
Air Conditioning.....	103
Usage	105
Air Intake	163
Air Pressure, Tires	220
Air Vent in the Trunk.....	163
Anti-lock Brakes (ABS) Indicator.....	55, 177
Operation	177
Anti-theft Steering Column Lock ..	76
Armrest.....	85
Audio System	112
Auto Idle Stop.....	173
Auto Idle Stop Indicator	174
Automatic Speed Control.....	142
Automatic Transmission.....	168
Capacity, Fluid	260
Shifting.....	168

Shift Lever Position Indicator ..	168
Shift Lever Positions	168
Shift Lock Release.....	171

B

Battery Charging System Indicator.....	54, 247
Jump Starting	242
Maintenance.....	225
Specifications	260
Before Driving	151
Belts, Seat	10
Brakes Anti-lock System (ABS)	177
Break-in, New Linings	152
Bulb Replacement	214
Fluid	209
Parking.....	93
System Indicator	54
Wear Indicators	176
Braking System.....	176
Break-in, New Car	152
Brightness Control, Instruments...	74
Brights, Headlights	72

Bulb Replacement Brake Lights.....	214
Front Parking Lights.....	213
Headlights	210
High-mount Brake Light	215
Specifications	260
Turn Signal Lights.....	213
Bulbs, Halogen.....	210

C

Capacities Chart.....	260
Carbon Monoxide Hazard	49
Carrying Cargo	160
CAUTION, Explanation of	ii
CD Changer.....	120
CD Player	119, 120
Certification Label.....	258
Chains	224
Changing a Flat Tire	237
Changing Oil How to.....	203
When to	194, 195
Charge/Assist Gauge	68

CONTINUED

Index

Charging System Indicator	54, 247
Check Fuel Cap Indicator	60
Checklist, Before Driving	166
Childproof Door Locks	81
Child Seats.....	31
Lower Anchorage Points	40
Tether Anchorage Points	44
Climate Control Sensors	111
Clock, Setting the	140
CO in the Exhaust	280
Cold Weather, Starting in	167
Compact Spare	236
Console Compartment	97
Consumer Information.....	272
Controls, Instruments and.....	51
Coolant	
Adding.....	206
Checking.....	156
Proper Solution	206
Temperature Gauge	68
Crankcase Emissions Control	
System.....	265
Cruise Control Operation	142
Customer Service Office	272

D

DANGER, Explanation of	ii
Dashboard	4, 52
Daytime Running Lights.....	74
Defects, Reporting Safety.....	274
Defogger, Rear Window	75
Dimensions.....	260
Dimming the Headlights	72
Dipstick	
Automatic Transmission.....	208
Engine Oil.....	155
Directional Signals.....	72
Disc Brake Wear Indicators.....	176
Disposal of Used Oil.....	204
Doors	
Locking and Unlocking	80
DOT Tire Quality Grading	262
Driver and Passenger Safety.....	7
Driving	165
Economy	157
Dual Temperature Control.....	109
Dust and Pollen Filter	216

E

Economy, Fuel	157
Electronically Controlled Power	
Steering System (ECPS)	
Indicator	60
Emergencies on the Road.....	229
Battery, Jump Starting	242
Brake System Indicator	249
Changing a Flat Tire	237
Charging System Indicator	247
Checking the Fuses.....	252
Low Oil Pressure Indicator	246
Malfunction Indicator Lamp	247
Overheated Engine	244
Emergency Brake.....	93
Emergency Flashers	75
Emergency Towing	250
Emissions Controls.....	265
Engine	
Coolant Temperature Gauge	68
Malfunction Indicator	
Lamp	247
Oil Pressure Indicator	246
Oil, What Kind to Use	201
Overheating.....	244

Specifications	260
Speed Limiter	170
Starting	77
Engine Speed Limiter	170
Evaporative Emissions Controls ..	265
Exhaust Fumes	49
Expectant Mothers, Use of Seat Belts by	18

F

Fan, Interior	102
Features	99
Filling the Fuel Tank	153
Filter	
Dust and Pollen	216
Oil	203
Flashers, Hazard Warning	75
Flat Tire	
Repairing	230
Changing	237
Floor Mat	216
Fluids	
Automatic Transmission	208
Brake	209
Windshield Washer	205

Four-way Flashers	75
Fuel	152
Cap Message	60
Economy Indicator	62
Fill Door and Cap	153
Gauge	69
Octane Requirement	152
Tank, Filling the	153
Fuses, Checking the	252

G

Gas Mileage, Improving	157
Gasoline	152
Gauge	69
Octane Requirement	152
Tank, Filling the	153
Gas Station Procedures	153
Gauges	
Engine Coolant Temperature	68
Fuel	69
Gearshift Lever Positions	
Automatic Transmission	168
Glove Box	98

H

Halogen Headlight Bulbs	210
Hazard Warning Flashers	75
Headlights	72
Aiming	210
Automatic Lighting Off	73
Daytime Running Lights	74
Low Beams, Turning on	72
Reminder Chime	72
Replacing Halogen Bulbs	210
Turning on	72
Head Restraints	88
Heating and Cooling	100
HomeLink Universal	
Transceiver	145
Hood, Opening and Closing the ...	154

I

Identification Number, Vehicle ...	258
Ignition	
Keys	77
Switch	79
Timing Control System	266

CONTINUED

Index

IMA System Indicator	60
Immobilizer System.....	78
Important Safety Precautions	8
Indicators, Instrument Panel.....	54
Infant Restraint	36
Infant Seats.....	36
Tether Anchorage Points	44
Inflation, Proper Tire	219
Inside Mirror	89
Inspection, Tire	221
Installing a Child Seat	40
Tether Anchorage Points	44
Using LATCH	40
Instrument Panel	53
Instrument Panel Brightness	74
Introduction.....	i

J

Jacking up the Vehicle	238
Jack, Tire	237
Jump Starting	242

K

Keys.....	77
-----------	----

IV

L

Label, Certification	258
Lane Change, Signaling	72
Lap/Shoulder Belts	20
Lights	
Bulb Replacement	210
Indicator	57
Parking.....	213
Turn Signal.....	57
Load Limits.....	161
LOCK (Ignition Key Position)	79
Locks	
Anti-theft Steering Column	79
Fuel Fill Door	153
Glove Box	98
Lockout Prevention	80
Power Door	80
Trunk	84
Low Coolant Level.....	156
Lower Gear, Downshifting to a.....	168
Low Oil Pressure Indicator	54
Lubricant Specifications Chart	260
Luggage	160

M

Maintenance.....	189
Owner Maintenance Checks....	193
Record.....	196
Required Indicator.....	61
Safety.....	190
Schedule	194-195
Malfunction Indicator Lamp	247
Meters, Gauges.....	63
Mirrors, Adjusting	89
Modifications.....	159

N

Neutral Gear Position.....	169
New Vehicle Break-in	152
Normal Shift Speeds.....	168
NOTICE, Explanation of.....	i
Numbers, Identification	258

O

Octane Requirement, Gasoline....	152
Odometer.....	64

Oil	
Change, How to	203
Change, When to	194-195
Checking Engine	155
Pressure Indicator	54, 246
Selecting Proper Viscosity	
Chart	202
ON (Ignition Key Position)	79
Outside Mirrors	89
Outside Temperature	64
Overheating, Engine	244
Owner Maintenance Checks	193

P

Panel Brightness Control	74
Park Gear Position	168
Parking Brake	93
Parking Lights	72
Parking Over Things that Burn ...	267
Parking Tips	175
PGM-FI System	266
Pollen Filter	216
Power Mirror Heaters	90
Pregnancy, Using Seat Belts	18

Protecting Adults and Teens	13
Additional Safety Precautions	19
Advice for Pregnant Women	18
Protecting Children	31
Protecting Infants and Small	
Children	36
Protecting Larger Children	45
Using Booster Seat	46

R

Radiator Overheating	244
Radio/CD Sound	
System	112
Rear Lights, Bulb Replacement ..	214
Rear View Mirror	89
Rear Window Defogger	75
Reclining the Seat Backs	87, 88
Recommended Shift Speeds	168
Reminder Lights	53
Remote Transmitter	81
Replacement Information	
Engine Oil and Filter	203
Fuses	252
Light Bulbs	210
Schedule	194-195

Tires	222
Wiper Blades	217
Replacing Seat Belts After a	
Crash	21
Reserve Tank, Coolant	206
Restraint, Child	31
Reverse Gear Position	163
Rotation, Tire	222

S

Safety Belts	10
Safety Defects, Reporting	274
Safety Features	9
Airbags	11
Seat Belts	10
Safety Labels, Location of	50
Safety Messages	ii
Satellite Radio	132

CONTINUED

Index

Seat Belts	10	Side Curtain Airbags	11, 27	Starting the Engine.....	167
Additional Information.....	20	How Your Side Curtain		With a Dead Battery	242
Automatic Seat Belt		Airbags Work.....	27	Steam Coming from Engine.....	244
Tensioners.....	21	Signaling Turns.....	72	Steering Wheel	
Lap/Shoulder Belt.....	20	Snow Tires	223	Adjustment	76
Maintenance.....	21	Sound System.....	112	Anti-theft Column Lock	79
Reminder Light and		Spare Tire		Stereo Sound System	112
Beeper.....	20, 54	Inflating.....	236	Sun Visor.....	94
System Components.....	20	Specifications	261	Sunglasses Holder	98
Use During Pregnancy.....	18	Specifications Charts.....	260	Supplemental Restraint	
Wearing a Lap/Shoulder Belt...	20	Speed Control.....	142	System.....	11, 23
Seats, Adjusting the.....	86	Speed Limiter	170	Servicing	29
Security System	141	SRS, Additional Information.....	20	SRS Indicator.....	28, 55
Selecting a Child Seat.....	38	Additional Safety Precautions....	30	System Components.....	23
Select/Reset Knob	74	Airbag Service	29	Synthetic Oil.....	202
Serial Number	258	How the Passenger Airbag Off			
Service Intervals	194-195	Indicator Works	28		
Service Manual	275	How Your SRS Indicator			
Service Station Procedure	153	Works.....	28		
Setting the Clock	140	How Your Front Airbags			
Shift Lever Position Indicator	168	Works.....	24		
Shift Lock Release.....	171	How Your Side Airbags			
Side Airbags	11, 26	Works.....	26		
How Your Side Airbags Work....	26	SRS Components	20		
How the Side Airbag Off		SRS Indicator.....	28, 55		
Indicator Works.....	28	START (Ignition Key Position)	79		

T

Taillights, Changing Bulbs in.....	214
Taking Care of the Unexpected ..	229
Technical Descriptions	
DOT Tire Quality Grading	262
Emissions Control Systems.....	265
Three Way Catalytic	
Converter.....	266
Temperature Gauge	68

Tether Anchorage Points 44
 Three Way Catalytic Converter... 284
 Time, Setting the 140
 Timing Belt..... 209
 Tire Chains..... 224
 Tire, How to Change a Flat 237
 Tire Labeling..... 264
 Tires 219
 Air Pressure 220
 Checking Wear 221
 Compact Spare..... 236
 DOT Tire Quality Grading 262
 Inflation..... 219
 Inspection 221
 Replacing 222
 Rotating..... 222
 Snow 223
 Specifications 261
 Tools, Tire Changing 237
 Towing
 A Trailer..... 182
 Emergency Wrecker..... 250
 Traction Control System..... 179
 TCS Activation Indicator 56, 180
 TCS Indicator 56, 180
 TCS Off Switch 180

Transmission
 Checking Fluid Level,
 Automatic 208
 Fluid Selection..... 200
 Identification Number..... 258
 Shifting the Automatic..... 168
 Treadwear 262
 Trip Meter 65
 Trunk..... 84
 Emergency Opener 85
 Opening the..... 84
 Open Monitor Light 56
 Turn Signals 72

U

Unexpected, Taking Care
 of the 229
 Uniform Tire Quality Grading 262
 Unleaded Gasoline..... 152
 Upholstery Cleaning..... 216
 Used Oil, How to Dispose of 204

V

Vanity Mirror 94

Vehicle Capacity Load 161
 Vehicle Dimensions..... 260
 Vehicle Identification Number..... 262
 Vehicle Storage..... 226
 VIN 258
 Viscosity, Oil..... 202

W

WARNING, Explanation of ii
 Warning Labels, Location of 50
 Warranty Coverages 273
 Washer, Windshield
 Checking the Fluid Level 205
 Operation..... 71
 Wheels
 Adjusting the Steering 76
 Alignment and Balance..... 221
 Compact Spare..... 236
 Wrench 238
 Windows
 Operating the Power 90
 Rear, Defogger 75

CONTINUED

Index

Windshield	
Cleaning	71
Washers	71
Wipers, Windshield	
Changing Blades.....	217
Operation	71
Worn Tires	221
Wrecker, Emergency Towing.....	250

Service Information Summary

Gasoline:

Unleaded gasoline, pump octane number of 86 or higher.

Fuel Tank Capacity:

17.09 US gal (64.7 ℓ)

Recommended Engine Oil:

API Premium grade 5W-20 detergent oil (see page [201](#)).

Oil change capacity (including filter):

4.5 US qt (4.3 ℓ)

Automatic Transmission Fluid:

Honda ATF-Z1 (Automatic Transmission Fluid) preferred, or a DEXRON® III ATF as a temporary replacement (see pages [208](#) and [209](#)).

Brake Fluid:

Honda Heavy Duty Brake Fluid DOT 3 preferred, or a DOT 3 or DOT 4 brake fluid as a temporary replacement (see page [209](#)).

Tire Pressure:

32 psi (220 kPa , 2.2 kgf/cm²)