

# 2001 Integra Hatchback Online Reference Owner's Manual

Use these links (and links throughout this manual) to navigate through this reference.  
For a printed owner's manual, click on authorized manuals or go to [www.helminc.com](http://www.helminc.com).

## Contents

### Owner's Identification Form

|                                                                                                           |            |
|-----------------------------------------------------------------------------------------------------------|------------|
| <b>Introduction</b> .....                                                                                 | <b>i</b>   |
| <b>A Few Words About Safety</b> .....                                                                     | <b>ii</b>  |
| <b>Your Vehicle at a Glance</b> .....                                                                     | <b>2</b>   |
| <b>Driver and Passenger Safety</b> .....                                                                  | <b>5</b>   |
| Proper use and care of your vehicle's seat belts, and Supplemental Restraint System.                      |            |
| <b>Instruments and Controls</b> .....                                                                     | <b>51</b>  |
| Instrument panel indicator and gauge, and how to use dashboard and steering column controls.              |            |
| <b>Comfort and Convenience Features</b> .....                                                             | <b>93</b>  |
| How to operate the climate control system, the audio system, and other convenience features.              |            |
| <b>Before Driving</b> .....                                                                               | <b>121</b> |
| What gasoline to use, how to break-in your new vehicle, and how to load luggage and other cargo.          |            |
| <b>Driving</b> .....                                                                                      | <b>135</b> |
| The proper way to start the engine, shift the transmission, and park, plus towing a trailer.              |            |
| <b>Maintenance</b> .....                                                                                  | <b>159</b> |
| The Maintenance Schedule shows you when you need to take your vehicle to the dealer.                      |            |
| <b>Appearance Care</b> .....                                                                              | <b>217</b> |
| Tips on cleaning and protecting your vehicle. Things to look for if your vehicle ever needs body repairs. |            |
| <b>Taking Care of the Unexpected</b> .....                                                                | <b>225</b> |
| This section covers several problems motorists sometimes experience, and how to handle them.              |            |
| <b>Technical Information</b> .....                                                                        | <b>251</b> |
| ID numbers, dimensions, capacities, and technical information.                                            |            |
| <b>Warranty and Customer Relations (U.S. and Canada)</b> .....                                            | <b>265</b> |
| A summary of the warranties covering your new Acura, and how to contact us.                               |            |
| <b>Authorized Manuals (U.S. only)</b> .....                                                               | <b>271</b> |
| How to order manuals and other technical literature.                                                      |            |
| <b>Index</b> .....                                                                                        | <b>I</b>   |

### Service Information Summary

A summary of information you need when you pull up to the fuel pump.

## Owner's Identification

---

OWNER \_\_\_\_\_  
\_\_\_\_\_

ADDRESS \_\_\_\_\_

STREET

\_\_\_\_\_

CITY

STATE/PROVINCE

ZIP CODE /  
POSTAL CODE

V. I. N. \_\_\_\_\_

DELIVERY DATE \_\_\_\_\_

(Date sold to original retail purchaser)

DEALER NAME \_\_\_\_\_ DEALER NO. \_\_\_\_\_

ADDRESS \_\_\_\_\_

STREET

\_\_\_\_\_

CITY

STATE/PROVINCE

ZIP CODE /  
POSTAL CODE

OWNERS SIGNATURE \_\_\_\_\_

DEALER'S SIGNATURE \_\_\_\_\_

This Owner's Manual should be considered a permanent part of the car, and should remain with the car when it is sold.

The information and specifications included in this publication were in effect at the time of approval for printing. Honda Motor Co., Ltd. reserves the right, however, to discontinue or change specifications or design at any time without notice and with out incurring any obligation whatsoever.

Congratulations! Your selection of a 2001 Acura Integra was a wise investment. It will give you years of driving pleasure.

One of the best ways to enhance the enjoyment of your new Acura is to read this manual. In it, you will learn how to operate its driving controls and convenience items. Afterwards, keep this owner's manual in your car so you can refer to it at any time.

Several warranties protect your new Acura. Read the warranty booklet thoroughly so you understand the coverages and are aware of your rights and responsibilities.

Maintaining your car according to the schedules given in this manual helps to keep your driving trouble-free while it preserves your investment. When your car needs maintenance, keep in mind that your Acura dealer's staff is specially trained in servicing the many systems unique to your Acura. Your Acura dealer is dedicated to your satisfaction and will be pleased to answer any questions and concerns.

## California Proposition 65 Warning

**WARNING:** This product contains or emits chemicals known to the State of California to cause cancer and birth defects or other reproductive harm.

As you read this manual, you will find information that is preceded by a **NOTICE** symbol. This information is intended to help you avoid damage to your Acura, other property, or the environment.

## A Few Words About Safety

---

Your safety, and the safety of others, is very important. And operating this car safely is an important responsibility.

To help you make informed decisions about safety, we have provided operating procedures and other information on labels and in this manual. This information alerts you to potential hazards that could hurt you or others.

Of course, it is not practical or possible to warn you about all the hazards associated with operating or maintaining your car. You must use your own good judgement.

You will find this important safety information in a variety of forms, including:

- **Safety Labels** — on the car.
- **Safety Messages** — preceded by a safety alert symbol  and one of three signal words: **DANGER**, **WARNING**, or **CAUTION**.

These signal words mean:

 **DANGER**

You **WILL** be **KILLED** or **SERIOUSLY HURT** if you don't follow instructions.

 **WARNING**

You **CAN** be **KILLED** or **SERIOUSLY HURT** if you don't follow instructions.

 **CAUTION**

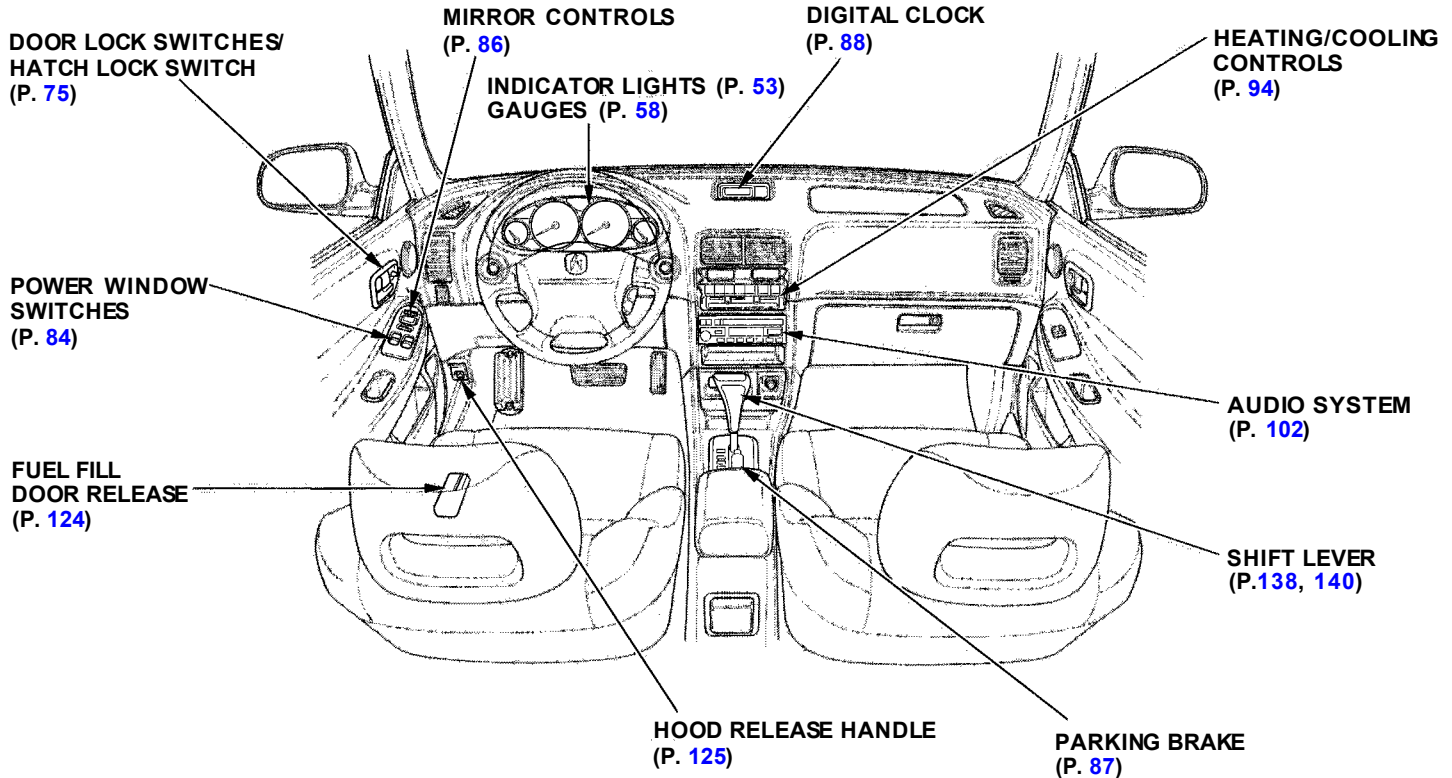
You **CAN** be **HURT** if you don't follow instructions.

- **Safety Headings** — such as Important Safety Reminders or Important Safety Precautions.
- **Safety Section** — such as Driver and Passenger Safety.
- **Instructions** — how to use this car correctly and safely.

This entire book is filled with important safety information — please read it carefully.

# Your Car at a Glance

---



# Your Car at a Glance

**CRUISE CONTROL**  
(P. 67)

**INSTRUMENT PANEL  
BRIGHTNESS**  
(P. 63)

**HAZARD WARNING LIGHTS**  
(P. 65)

**REAR WINDOW DEFOGGER**  
(P. 65)

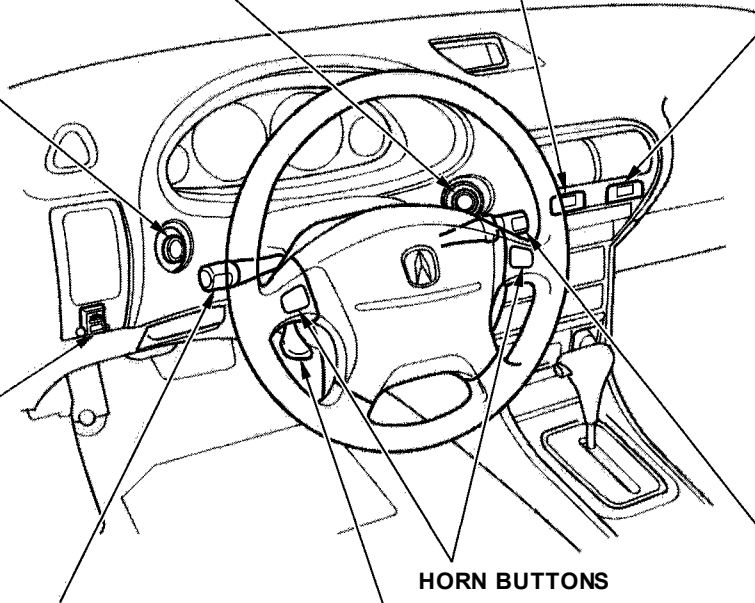
**MOONROOF**  
(P. 85)

**HEADLIGHTS/TURN SIGNALS**  
(P. 62/63)

**TILT ADJUSTMENT**  
(P. 66)

**HORN BUTTONS**

**WINDSHIELD WIPERS/WASHERS**  
(P. 64)





This section gives you important information about how to protect yourself and your passengers. It shows you how to use seat belts properly. It explains your Supplemental Restraint System. And it tells you how to properly restrain infants and children in your car.

|                                   |   |
|-----------------------------------|---|
| Important Safety Precautions..... | 6 |
| Your Car's Safety Features.....   | 7 |
| Seat Belts.....                   | 8 |

|                                                             |    |
|-------------------------------------------------------------|----|
| Airbags.....                                                | 9  |
| Seats & Seat-Backs.....                                     | 10 |
| Head Restraints.....                                        | 10 |
| Door Locks.....                                             | 10 |
| Pre-Drive Safety Checklist.....                             | 11 |
| Protecting Adults.....                                      | 12 |
| 1. Close and Lock the Doors.....                            | 12 |
| 2. Adjust the Front Seats.....                              | 13 |
| 3. Adjust the Seat-Backs.....                               | 14 |
| 4. Adjust the Head Restraints....                           | 15 |
| 5. Fasten and Position the Seat Belts.....                  | 16 |
| 6. Adjust the Steering Wheel....                            | 17 |
| 7. Maintain a Proper Sitting Position.....                  | 18 |
| Advice for Pregnant Women.....                              | 19 |
| Additional Safety Precautions....                           | 19 |
| Protecting Children.....                                    | 21 |
| All Children Must Be Restrained.....                        | 21 |
| Children Should Sit in the Back Seat.....                   | 22 |
| The Passenger's Airbag Poses Serious Risks to Children..... | 22 |
| If You Must Drive with Several Children.....                | 25 |

|                                                   |    |
|---------------------------------------------------|----|
| If a Child Requires Close Attention.....          | 25 |
| Additional Safety Precautions....                 | 25 |
| General Guidelines for Using Child Seats.....     | 26 |
| Protecting Infants.....                           | 30 |
| Protecting Small Children.....                    | 34 |
| Protecting Larger Children.....                   | 38 |
| Using Child Seats with Tethers.....               | 41 |
| Additional Information About Your Seat Belts..... | 42 |
| Seat Belt System Components...                    | 42 |
| Lap/Shoulder Belt.....                            | 42 |
| Seat Belt Maintenance.....                        | 43 |
| Additional Information About Your SRS.....        | 45 |
| SRS Components.....                               | 45 |
| How Your Airbags Work.....                        | 45 |
| How the SRS Indicator Light Works.....            | 47 |
| SRS Service.....                                  | 47 |
| Additional Safety Precautions....                 | 48 |
| Carbon Monoxide Hazard.....                       | 49 |
| Safety Labels.....                                | 50 |



## Important Safety Precautions

---

You'll find many safety recommendations throughout this section, and throughout this manual. The recommendations on this page are the ones we consider to be the most important.

### **Always Wear Your Seat Belt**

A seat belt is your best protection in all types of collisions. Airbags supplement seat belts, but airbags are designed to inflate only in a moderate to severe frontal collision. So even though your car is equipped with airbags, make sure you and your passengers always wear your seat belts, and wear them properly. (See page [16](#).)

### **Restrain All Children**

Children are safest when they are properly restrained in the back seat, not the front seat. A child who is too small for a seat belt must be properly restrained in a child safety seat. (See page [21](#).)

### **Be Aware of Airbag Hazards**

While airbags can save lives, they can cause serious or fatal injuries to occupants who sit too close to them, or are not properly restrained. Infants, young children, and short adults are at the greatest risk. Be sure to follow all instructions and warnings in this manual. (See page [9](#).)

### **Don't Drink and Drive**

Alcohol and driving don't mix. Even one drink can reduce your ability to respond to changing conditions, and your reaction time gets worse with every additional drink. So don't drink and drive, and don't let your friends drink and drive, either.

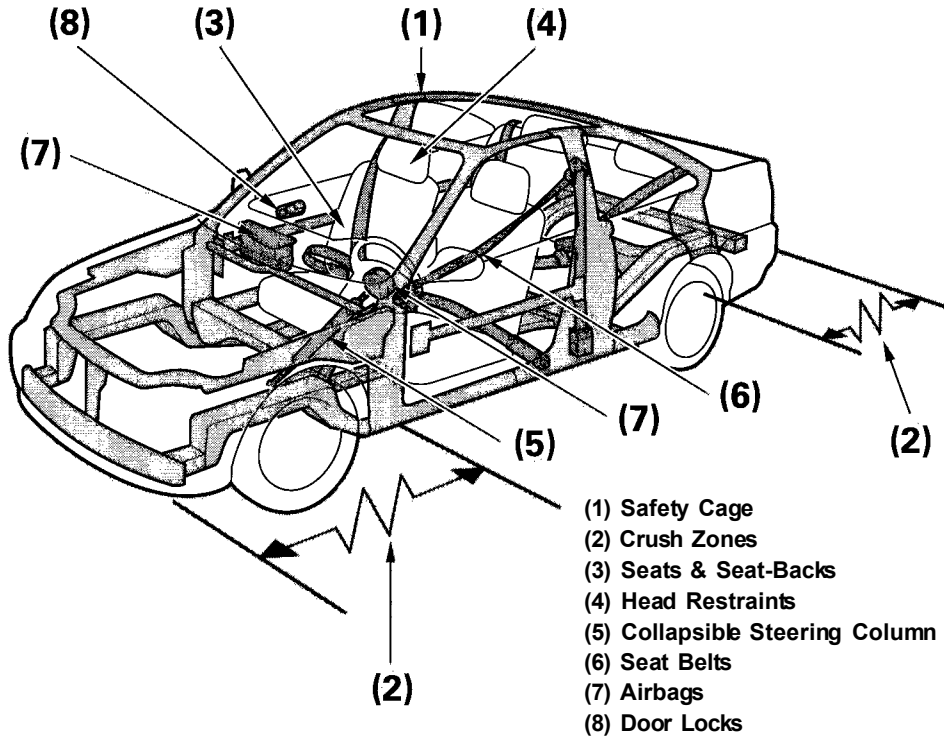
### **Control Your Speed**

Excessive speed is a major factor in crash injuries and deaths. Generally, the higher the speed the greater the risk, but serious accidents can also occur at lower speeds. Never drive faster than is safe for current conditions, regardless of the maximum speed posted.

### **Keep Your Car in Safe Condition**

Having a tire blowout or a mechanical failure can be extremely hazardous. To reduce the possibility of such problems, check your tire pressures and condition frequently, and perform all regularly scheduled maintenance. (See page [164](#).)

## Your Car's Safety Features



Your car is equipped with many features that work together to protect you and your passengers during a crash.

Some safety features do not require any action on your part. These include a strong steel framework that forms a safety cage around the passenger compartment; front and rear crush zones that are designed to crumple and absorb energy during a crash; and a collapsible steering column.

These safety features are designed to reduce the severity of injuries in a crash. However, you and your passengers can't take full advantage of these safety features unless you remain sitting in a proper position and ***always wear your seat belts properly***. In fact, some safety features can contribute to injuries if they are not used properly.

# Your Car's Safety Features

---

## Seat Belts

For your safety, and the safety of your passengers, your car is equipped with seat belts in all seating positions.



Your seat belt system also includes a light on the instrument panel to remind you and your passengers to fasten your seat belts.

### **Why Wear Seat Belts**

Seat belts are the single most effective safety device for adults and larger children. (Infants and smaller children must be properly restrained in child seats.)

Not wearing a seat belt properly increases the chance of serious injury or death in a crash, even though your car has airbags.

In addition, most states and all Canadian provinces require you to wear seat belts.

### **WARNING**

Not wearing a seat belt properly increases the chance of serious injury or death in a crash, even if you have airbags.

Be sure you and your passengers always wear seat belts and wear them properly.

When properly worn, seat belts:

- Keep you connected to the vehicle so you can take advantage of the car's built-in safety features.
- Help protect you in almost every type of crash, including side and rear impacts and rollovers. (Your airbag can only be helpful in a moderate to severe frontal

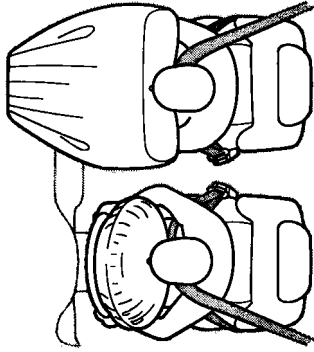
collision.)

- Help keep you from being thrown against the inside of the vehicle and against other occupants.
- Keep you from being thrown out of the vehicle.
- Help keep you in a good position should the airbags ever deploy. A good position reduces the risk of injury from an inflating airbag, and allows you to get the best advantage from the airbag.

Of course, seat belts cannot completely protect you in every crash. But in most cases, seat belts can reduce your risk of serious injury.

**What you should do:** Always wear your seat belt, and make sure you wear it properly.

### Airbags



Your car has a Supplemental Restraint System (SRS) with frontal airbags to help protect the driver and a front seat passenger.

**SRS** This system also includes an indicator light on the instrument panel to alert you to a possible problem with the system.

The most important things you need to know about your airbags are:

- **Airbags do not replace seat belts.** The seat belts are the occupants' primary protection in all types of collisions. The airbags supplement the seat belts by providing extra protection for the head and chest of each front seat occupant in a moderate to severe frontal collision.

**Airbags offer no protection in side impacts, rear impacts, rollovers, or minor collisions.** Airbags are designed to deploy only during a moderate to severe frontal collision.

- **Airbags can pose serious hazards.** To do their job, airbags must inflate with tremendous force and speed. So while airbags save lives, they can cause serious injuries to adults and larger children who are not wearing seat belts, are not wearing them properly, are sitting too close to the airbag, or are not sitting in a proper position. Infants and small children are at an even greater risk of injury or death.

**What you should do:** Always wear your seat belt properly, and sit upright and as far back as possible from the steering wheel or dashboard.

# Your Car's Safety Features

---

## Seats & Seat-Backs

Your car's seats are designed to keep you in a comfortable, upright position so you can take full advantage of the protection offered by seat belts and the energy absorbing materials in the seats.

How you adjust your seats and seat-backs can also affect your safety. For example, sitting too close to the steering wheel or dashboard increases the risk of you or your passenger being injured by striking the inside of the car, or by an inflating airbag.

Reclining a seat-back too far reduces the seat belt's effectiveness and increases the chance that the seat's occupant will slide under the seat belt in a crash and be seriously injured.

***What you should do:*** Move the front seats as far back as possible, and keep adjustable seat-backs in an upright position whenever the car is moving.

## Head Restraints

Head restraints can help protect you from whiplash and other injuries. For maximum protection, the back of your head should rest against the center of the head restraint.

## Door Locks

Keeping your doors locked reduces the chance of being thrown out of the car during a crash. It also helps prevent occupants from accidentally opening a door and falling out, and outsiders from unexpectedly opening your doors.

### Pre-Drive Safety Checklist

To make sure you and your passengers get the maximum protection from your car's safety features, check the following each time before you drive away:

- All adults, and children who have outgrown child safety seats, are wearing their seat belts and wearing them properly (see page [16](#)).
- Any infant or small child is properly restrained in a child seat in the back seat (see page [21](#)).
- Front seat occupants are sitting upright and as far back as possible from the steering wheel and dashboard (see page [13](#)).
- Seat-backs are upright (see page [14](#)).

- Head restraints are properly adjusted (see page [15](#)).
- Both doors and the hatch are closed and locked (see page [12](#)).
- All cargo is properly stored or secured (see page [132](#)).

The rest of this section gives more detailed information about how you can maximize your safety.

Remember, however, that no safety system can prevent all injuries or deaths that can occur in severe crashes, even when seat belts are properly worn and the airbags deploy.

# Protecting Adults

---

## Introduction

The following pages provide instructions on how to properly protect the driver and other adult occupants.

These instructions also apply to children who have outgrown child seats and are large enough to wear lap/shoulder belts. (See page 38 for important additional guidelines on how to properly protect larger children.)

## 1. Close and Lock the Doors

After everyone has entered the car, be sure the doors and the hatch are closed and locked.



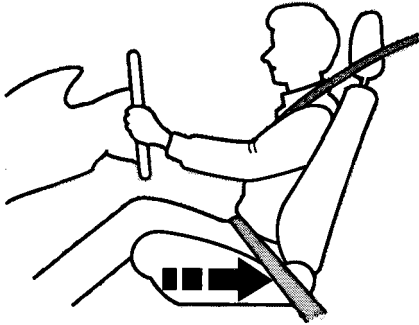
Your car has a door monitor light on the instrument panel to indicate when either door is not tightly closed.

For safety, locking the doors reduces the chance that a passenger, especially a child, will open a door while the car is moving and accidentally fall out. It also reduces the chance of someone being thrown out of the car during a crash.

For security, locked doors can prevent an outsider from unexpectedly opening a door when you come to a stop.

See page 75 for how to lock the doors.

### 2. Adjust the Front Seats



Any driver who sits too close to the steering wheel is at risk of being seriously injured or killed by striking the steering wheel, or from being struck by an inflating airbag during a crash.

To reduce the chance of injury, wear your seat belt properly, sit upright with your back against the seat, and move the seat as far back as possible from the steering wheel while still maintaining full control of the car. Also make sure your front seat passenger moves the seat as far to the rear as possible.

#### **WARNING**

Sitting too close to an airbag can result in serious injury or death if the airbags inflate.

Always sit as far back from the airbags as possible.

Most shorter drivers can get far enough away from the steering wheel and still reach the pedals. However, if you are concerned about sitting too close, we recommend that you investigate whether some type of adaptive equipment may help.

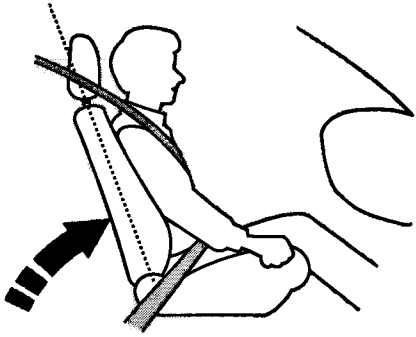
Once your seat is adjusted correctly, rock it back and forth to make sure the seat is locked in position.

See page [79](#) for how to adjust the front seats.



## Protecting Adults

### 3. Adjust the Seat-Backs



Adjust the driver's seat-back to a comfortable, upright position, leaving ample space between your chest and the airbag cover in the center of the steering wheel. If you sit too close to the steering wheel, you could be injured if the airbag inflates.

A front passenger should also adjust the seat-back to an upright position, but as far from the dashboard as possible. A passenger who sits too close to the dashboard could be injured if the airbag inflates.

Reclining a seat-back so that the shoulder part of the belt no longer rests against the occupant's chest reduces the protective capability of the belt. It also increases the chance of sliding under the belt in a crash and being seriously injured. The farther a seat-back is reclined, the greater the risk of injury.

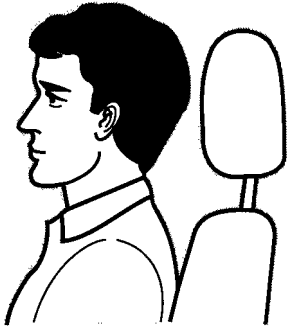
#### **WARNING**

Reclining the seat-back too far can result in serious injury or death in a crash.

Adjust the seat-back to an upright position and sit well back in the seat.

See page [79](#) for how to adjust seat-backs.

### 4 Adjust the Head Restraints



Before driving, make sure everyone with an adjustable head restraint has properly positioned the head restraint. The restraint should be positioned so the back of the occupant's head rests against the center of the restraint. A taller person should adjust the restraint as high as possible.

#### **WARNING**

Improperly positioning head restraints reduces their effectiveness and you can be seriously injured in a crash.

Make sure head restraints are in place and positioned properly before driving.

Properly adjusted head restraints will help protect occupants from whiplash and other crash injuries.

See page [82](#) for how to adjust the head restraints.

## Protecting Adults

### 5. Fasten and Position the Seat Belts

Insert the latch plate into the buckle, then tug on the belt to make sure the belt is securely latched. Also check that the belt is not twisted, because a twisted belt can cause serious injuries in a crash.



Position the lap part of the belt as low as possible across your hips, then pull up on the shoulder part of the belt so the lap part fits snugly. This lets your strong pelvic bones take the force of a crash and reduces the chance of internal injuries.

If necessary, pull up on the belt again to remove any slack from the shoulder part, then check that the belt rests across the center of your chest and over your shoulder. This spreads the forces of a crash over the strongest bones in your upper body.

#### **WARNING**

Improperly positioning the seat belts can cause serious injury or death in a crash.

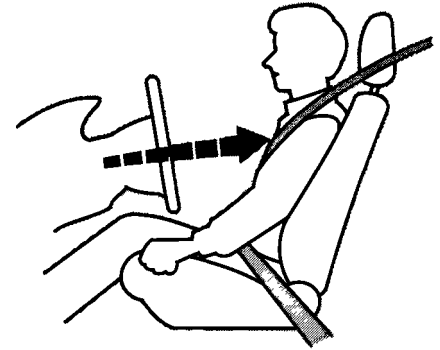
Make sure all seat belts are properly positioned before driving.

**Never place the shoulder portion of a lap/shoulder belt under your arm or behind your back.** This could cause very serious injuries in a crash.

If a seat belt does not seem to work as it should, it may not protect the occupant in a crash. **No one should sit in a seat with an inoperative seat belt.** Anyone using a seat belt that is not working properly can be seriously injured or killed. Have your Acura dealer check the belt as soon as possible.

See page [42](#) for additional information about your seat belt system and how to take care of your belts.

### 6. Adjust the Steering Wheel



Adjust the steering wheel, if needed, so that the wheel points toward your chest, not toward your face.

Pointing the steering wheel toward your chest provides optimal protection from the airbag.

See page [66](#) for how to adjust the steering wheel.

## Protecting Adults

---

### 7. Maintain a Proper Sitting Position

After all occupants have adjusted their seats and put on seat belts, it is very important that they continue to sit upright, well back in their seats, with their feet on the floor, until the car is parked and the engine is off.

Sitting improperly can increase the chance of injury during a crash. For example, if an occupant slouches, lies down, turns sideways, sits forward, leans forward or sideways, or puts one or both feet up, the chance of injury during a crash is greatly increased.

In addition, an occupant who is out of position in the front seat can be seriously or fatally injured by striking interior parts of the car, or by being struck by an inflating airbag.

#### **WARNING**

Sitting improperly or out of position can result in serious injury or death in a crash.

Always sit upright, well back in the seat, with your feet on the floor.

Remember, to get the best protection from your car's airbags and other safety features, you must sit properly and wear your seat belt properly.

### Advice for Pregnant Women



Because protecting the mother is the best way to protect her unborn child, a pregnant woman should always wear a seat belt whenever she drives or rides in a vehicle.

Remember to keep the lap portion of the belt as low as possible across your hips.

Pregnant women should also sit upright and as far back as possible from the steering wheel or dashboard. This will reduce the risk of injuries to both the mother and her unborn child that can be caused by a crash or an inflating airbag.

Each time you have a check-up, ask your doctor if it's okay for you to drive.

### Additional Safety Precautions

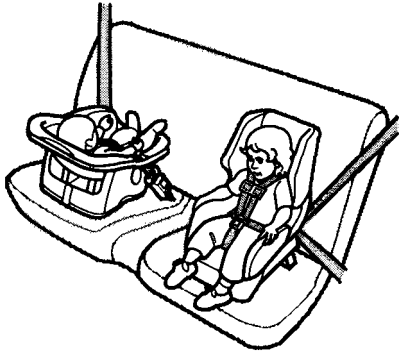
- ***Two people should never use the same seat belt.*** If they do, they could be very seriously injured in a crash.
- ***Do not put any accessories on seat belts.*** Devices intended to improve occupant comfort or reposition the shoulder part of a seat belt can severely compromise the protective capability of the seat belt and increase the chance of serious injury in a crash.

CONTINUED

## Protecting Adults

---

- ***Do not place hard or sharp objects between yourself and an airbag.*** Carrying hard or sharp objects on your lap, or driving with a pipe or other sharp object in your mouth, can result in injuries if your airbags inflate.
- ***Do not attach or place objects on the airbag covers.*** Any object attached to or placed on the covers marked "SRS AIRBAG," in the center of the steering wheel and on top of the dashboard, could interfere with the proper operation of the airbags. Or, if the airbags inflate, the objects could be propelled inside the car and hurt someone.
- ***Keep your hands and arms away from the airbag covers.*** If your hands or arms are close to the airbag covers in the center of the steering wheel and on top of the dashboard, they could be injured if the airbags inflate.



Children depend on adults to protect them. However, despite their best intentions, many parents and other adults may not know how to *properly* protect young passengers.

So if you have children, or if you ever need to drive with a grandchild or other children in your car, be sure to read this section.

### **WARNING**

Children who are unrestrained or improperly restrained can be seriously injured or killed in a crash.

Any child too small for a seat belt should be properly restrained in a child seat. A larger child should be properly restrained with a seat belt.

### **All Children Must Be Restrained**

Each year, many children are injured or killed in vehicle crashes because they are either unrestrained or not properly restrained. In fact, vehicle accidents are the number one cause of death of children ages 12 and under.

To reduce the number of child deaths and injuries, every state and Canadian province requires that infants and children be restrained whenever they ride in a vehicle.

CONTINUED



## Protecting Children

---

***Any child who is too small to wear a seat belt should be properly restrained in a child seat.*** (See page [26](#).)

***A larger child should always be restrained with a seat belt.*** (See page [38](#).)

### **Children Should Sit in the Back Seat**

According to accident statistics, children of all ages and sizes are safer when they are restrained in the back seat, not the front seat. The National Highway Traffic Safety Administration and Transport Canada recommend that all children ages 12 and under be properly restrained in the back seat.

In the back seat, children are less likely to be injured by striking hard interior parts during a collision or hard braking. Also, children cannot be injured by an inflating airbag when they ride in the back.

### **The Passenger's Airbag Poses Serious Risks to Children**

Airbags have been designed to help protect adults in a moderate to severe frontal collision. To do this, the passenger's airbag is quite large, and it inflates with tremendous speed.

### **Infants**

**Never put a rear-facing child seat in the front seat of a vehicle equipped with a passenger's airbag.** If the airbag inflates, it can hit the back of the child seat with enough force to kill or very seriously injure an infant.

### **Small Children**

**Placing a forward-facing child seat in the front seat of a vehicle equipped with a passenger's airbag can be hazardous.** If the vehicle seat is too far forward, or the child's head is thrown forward during a collision, an inflating airbag can strike the child with enough force to kill or very seriously injure a small child.

### **Larger Children**

**Children who have outgrown child seats are also at risk of being injured or killed by an inflating passenger's airbag.** Whenever possible, larger children should sit in the back seat, properly restrained with a seat belt. (See page 38 for important information about protecting larger children.)

CONTINUED

## Protecting Children

### U.S. Models

To remind you of the passenger's airbag hazards, and that children must be properly restrained in the back seat, your car has warning labels on the dashboard and on the driver's and front passenger's visors. Please read and follow the instructions on these labels.

|                                                                                  |                                                                                                                                                                                                                                                                                                                                                                                                                        |
|----------------------------------------------------------------------------------|------------------------------------------------------------------------------------------------------------------------------------------------------------------------------------------------------------------------------------------------------------------------------------------------------------------------------------------------------------------------------------------------------------------------|
| <b>⚠ WARNING</b>                                                                 |                                                                                                                                                                                                                                                                                                                                                                                                                        |
|  | <b>DEATH or SERIOUS INJURY can occur</b> <ul style="list-style-type: none"><li>• Children 12 and under can be killed by the air bag</li><li>• The <b>BACK SEAT</b> is the <b>SAFEST</b> place for children</li><li>• <b>NEVER</b> put a rear-facing child seat in the front</li><li>• Sit as far back as possible from the air bag</li><li>• <b>ALWAYS</b> use <b>SEAT BELTS</b> and <b>CHILD RESTRAINTS</b></li></ul> |

|                                                                                                                                                                                |
|--------------------------------------------------------------------------------------------------------------------------------------------------------------------------------|
| <b>⚠ WARNING</b>                                                                                                                                                               |
| <b>Children Can Be KILLED or INJURED by Passenger Air Bag</b>                                                                                                                  |
| <ul style="list-style-type: none"><li>• The back seat is the safest place for children 12 and under.</li><li>• Make sure all children use seat belts or child seats.</li></ul> |
| To be removed by owner only.                                                                                                                                                   |

### Canadian Models

To remind you of the airbag hazards, your car has warning labels on the driver's and front passenger's visors. Please read and follow the instructions on these labels.

|                                                                                                                                                                                                                                                                                                                                                                                                                                                                                                                            |                                                                                                                                                                                                                                                                                                                                                                                                                                                                                                                                                                                          |
|----------------------------------------------------------------------------------------------------------------------------------------------------------------------------------------------------------------------------------------------------------------------------------------------------------------------------------------------------------------------------------------------------------------------------------------------------------------------------------------------------------------------------|------------------------------------------------------------------------------------------------------------------------------------------------------------------------------------------------------------------------------------------------------------------------------------------------------------------------------------------------------------------------------------------------------------------------------------------------------------------------------------------------------------------------------------------------------------------------------------------|
| <b>CAUTION</b><br>TO AVOID SERIOUS INJURY: <ul style="list-style-type: none"><li>• FOR MAXIMUM SAFETY PROTECTION IN ALL TYPES OF CRASHES, YOU MUST ALWAYS WEAR YOUR SAFETY BELT.</li><li>• DO NOT INSTALL REARWARD-FACING CHILD SEATS IN ANY FRONT PASSENGER SEAT POSITION.</li><li>• DO NOT SIT OR LEAN UNNECESSARILY CLOSE TO THE AIR BAG.</li><li>• DO NOT PLACE ANY OBJECTS OVER THE AIR BAG OR BETWEEN THE AIR BAG AND YOURSELF.</li><li>• SEE THE OWNER'S MANUAL FOR FURTHER INFORMATION AND EXPLANATIONS.</li></ul> | <b>PRÉCAUTION</b><br>POUR EVITER DES BLESSURES GRAVES: <ul style="list-style-type: none"><li>• POUR PROFITER D'UNE PROTECTION MAXIMALE LORS D'UNE COLLISION BOUCLEZ TOUJOURS VOTRE CEINTURE DE SECURITE.</li><li>• N'INSTALLEZ JAMAIS UN SIEGE POUR ENFANTS FAISANT FACE A L'ARRIERE SUR LE SIEGE DU PASSAGER AVANT.</li><li>• NE VOUS APPUYEZ PAS ET NE VOUS ASSEYEZ PAS PRES DU COUSSIN GONFLABLE.</li><li>• NE DEPOSEZ AUCUN OBJET SUR LE COUSSIN GONFLABLE OU ENTRE LE COUSSIN GONFLABLE ET VOUS.</li><li>• LISEZ LE GUIDE UTILISATEUR POUR DE PLUS AMPLES RENSEIGNEMENTS.</li></ul> |
|----------------------------------------------------------------------------------------------------------------------------------------------------------------------------------------------------------------------------------------------------------------------------------------------------------------------------------------------------------------------------------------------------------------------------------------------------------------------------------------------------------------------------|------------------------------------------------------------------------------------------------------------------------------------------------------------------------------------------------------------------------------------------------------------------------------------------------------------------------------------------------------------------------------------------------------------------------------------------------------------------------------------------------------------------------------------------------------------------------------------------|

### If You Must Drive with Several Children

Your car has two seating positions in the back seat where children can be properly restrained.

If you ever have to carry more than two children in your car:

- Place the largest child in the front seat, provided the child is large enough to wear a seat belt properly (see page 38).
- Move the vehicle seat as far to the rear as possible (see page 13).
- Have the child sit upright and well back in the seat (see page 18).
- Make sure the seat belt is properly positioned and secured (see page 16).

### If a Child Requires Close Attention

Many parents say they prefer to put an infant or small child in the front passenger seat so they can watch the child, or because the child requires attention.

Placing a child in the front seat exposes the child to hazards from the airbag, and paying close attention to a child distracts the driver from the important task of driving, placing both of you at risk.

If a child requires physical attention or frequent visual contact, we strongly recommend that another adult ride with the child in the back seat. The back seat is far safer for a child than the front.

### Additional Safety Precautions

- ***Do not leave children alone in your vehicle.*** Leaving children without adult supervision is illegal in most states and Canadian provinces, and can be very hazardous. For example, infants and small children left in a vehicle on a hot day can die from heatstroke. And children left alone with the key in the ignition can accidentally set the vehicle in motion, possibly injuring themselves or others.
- ***Lock both doors and the hatch when your vehicle is not in use.*** Children who play in cars can accidentally get trapped inside the car. Teach your children not to play in or around cars.

# Protecting Children

---

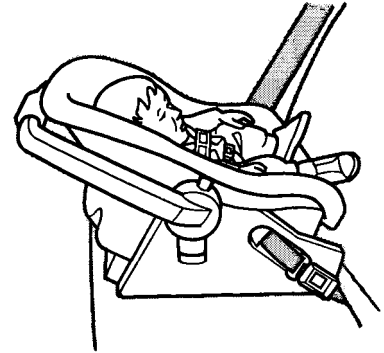
## General Guidelines for Using Child Seats

The following pages give general guidelines for selecting and installing child seats for infants and small children.

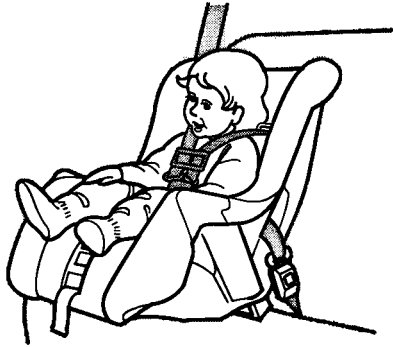
### Selecting a Child Seat

To provide proper protection, a child seat should meet three requirements:

- 1. The child seat should meet safety standards.** The child seat should meet Federal Motor Vehicle Safety Standard 213 (FMVSS 213) or Canadian Motor Vehicle Safety Standard 213 (CMVSS 213). Look for the manufacturer's statement of compliance on the box and seat.
- 2. The child seat should be of the proper type and size to fit the child.**



**Infants:** Children up to about one year old should be restrained in a rear-facing, reclining child seat. Only a rear-facing seat provides the proper support to protect an infant's head, neck, and back. See page [30](#) for additional information on protecting infants.



**Small Children:** A child who is too large for a rear-facing child seat, and who can sit up without support, should be restrained in a forward-facing child seat. See page 34 for additional information on protecting small children.

### ***3. The child seat should fit the vehicle seating position (or positions) where it will be used.***

Due to variations in the design of child seats, vehicle seats, and seat belts, all child seats will not fit all vehicle seating positions.

However, Acura is confident that one or more child seat models can fit and be properly installed in all recommended seating positions in your car.

Before purchasing a child seat, we recommend that parents test the child seat in the specific vehicle seating position (or positions) where they intend to use the seat. If a previously purchased child seat does not fit, you may need to buy a different one that will fit.

CONTINUED

# Protecting Children

## Placing a Child Seat

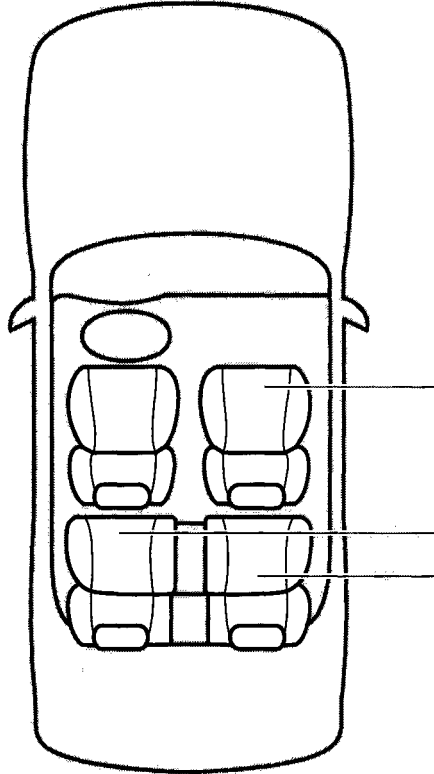
This page briefly summarizes Acura's recommendations on where to place rear-facing and forward-facing child seats in your car.

### Airbags Pose Serious Risks to Children

The passenger's airbag inflates with enough force to kill or seriously injure an infant in a rear-facing child seat.

A small child in a forward-facing child seat is also at risk. If the vehicle seat is too far forward, or the child's head is thrown forward during a collision, an inflating airbag can kill or seriously injure the child.

If a small child must ride in the front, follow the instructions provided in this section.



## Front Passenger's Seat

**Infants:** Never in the front seat, due to the passenger's airbag hazard.

**Small children:** Not recommended, due to the passenger's airbag hazard. If a small child must ride in front, move the vehicle seat to the rear-most position and secure a front-facing child seat with the seat belt (see page 35).

## Back Seats

**Infants:** Recommended positions. Secure a rear-facing child seat with the seat belt (see page 31).

**Small children:** Recommended positions. Secure a front-facing child seat with the seat belt (see page 35).

### **Installing a Child Seat**

After selecting a proper child seat, and a good position to install the seat, there are three main steps in installing the seat:

- 1. Secure the child seat to the car with a seat belt.** All child seats must be secured to the car with the lap part of a lap/shoulder belt. A child whose seat is not properly secured to the car can be endangered in a crash. See pages [31](#) and [35](#) for instructions on how to secure child seats in this car.
  
- 2. Make sure the child seat is firmly secured.** After installing a child seat, push and pull the seat forward and from side to side to verify that it is secure.

To provide security during normal driving maneuvers as well as during a collision, we recommend that parents secure a child seat as firmly as possible.

However, a child seat does not need to be "rock solid." In some vehicles or seating positions, it may be difficult to install a child seat so that it does not move at all. Some side-to-side or back-and-forth movement can be expected and should not reduce the child seat's effectiveness.

If the child seat is not secure, try installing it in a different seating position, or use a different style of child seat that can be firmly secured in the desired seating position.

### **3. Secure the child in the child seat.**

Make sure the child is properly strapped in the child seat according to the child seat maker's instructions. A child who is not properly secured in a child seat can be thrown out of the seat in a crash and be seriously injured.

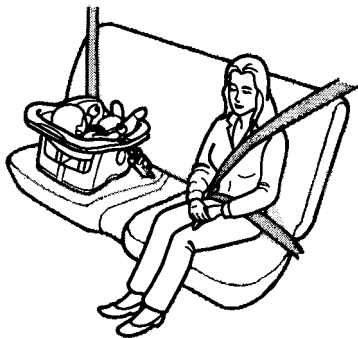
### **Storing a Child Seat**

When you are not using a child seat, either remove it and store it in a safe place, or make sure it is properly secured. An unsecured child seat can be thrown around the car during a crash or sudden stop and injure someone.



## Protecting Children

### Protecting Infants



#### **Child Seat Type**

Only a rear-facing child seat provides proper support for a baby's head, neck, and back. Infants up to about one year of age must be restrained in a rear-facing child seat.

Two types of seats may be used: a seat designed exclusively for infants, or a convertible seat used in the rear-facing, reclining mode.

### **WARNING**

Placing a rear-facing child seat in the front seat can result in serious injury or death if the airbags inflate.

Always place a rear-facing child seat in the back seat, not the front.

We recommend that an infant be restrained in a rear-facing child seat until the infant reaches the seat maker's weight or height limit and is able to sit up without support.

#### **Rear-Facing Child Seat Placement**

In this car, a rear-facing child seat can be placed in any seating position in the back seat, but not in the front seat.

#### **Never put a rear-facing child seat in the front seat.**

If the passenger's airbag inflates, it can hit the back of the child seat with enough force to kill or seriously injure an infant. If an infant must be closely watched, we recommend that another adult sit in the back seat with the baby.

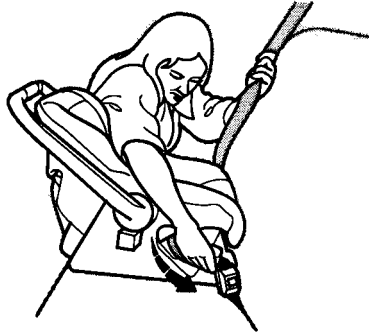
#### **Do not put a rear-facing child seat in a forward-facing position.**

If placed facing forward, an infant could be very seriously injured during a frontal collision.

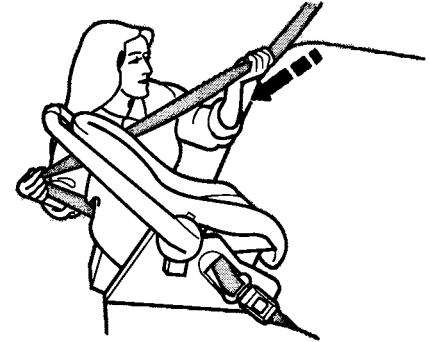
### **Rear-Facing Child Seat Installation**

The lap/shoulder belts in the back seats have a locking mechanism that must be activated to secure a child seat.

The following pages provide instructions and tips on how to secure a rear-facing child seat with this type of seat belt.



1. With the child seat in the desired back seating position, route the belt through the child seat according to the seat maker's instructions, then insert the latch plate into the buckle.



2. To activate the lockable retractor, slowly pull the shoulder part of the belt all the way out until it stops, then let the belt feed back into the retractor (you might hear a clicking noise as the belt retracts).
3. After the belt has retracted, tug on it. If the belt is locked, you will not be able to pull it out. If you can pull the belt out, it is not locked and you will need to repeat these steps.

*CONTINUED*

## Protecting Children

---



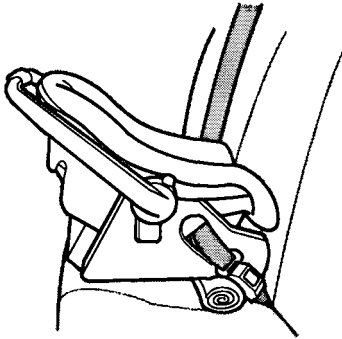
4. After confirming that the belt is locked, grab the shoulder part of the belt near the buckle and pull up to remove any slack from the lap part of the belt. Remember, if the lap part of the belt is not tight, the child seat will not be secure. To remove slack, it may help to put weight on the child seat, or push on the back of the seat, while pulling up on the belt.



5. Push and pull the child seat forward and from side to side to verify that it is secure enough to stay upright during normal driving maneuvers. If the child seat is not secure, unlatch the belt, allow it to retract fully, then repeat these steps.

To deactivate the locking mechanism and remove a child seat, unlatch the buckle, unrout the seat belt, and let the belt fully retract.

### **Rear-Facing Child Seat Installation Tips**



For proper protection, an infant must ride in a reclined, or semi-reclined position. To determine the proper reclining angle, check with the baby's doctor or follow the seat maker's recommendations.

To achieve the desired reclining angle, it may help to put a rolled up towel under the toe of the child seat, as shown.

When properly installed, a rear-facing child seat may prevent the driver or a front-seat passenger from moving the seat as far back as recommended (see page 13). Or it may prevent them from locking the seat-back in the desired upright position (see page 14).

In either case, we recommend that you place the child seat directly behind the front passenger seat, move the front seat as far forward as needed, and leave it unoccupied. Or you may wish to get a smaller child seat that allows you to safely carry a front passenger.

### **Additional Precautions for Infants**

- **Never hold an infant on your lap.** If you are not wearing a seat belt in a crash, you could be thrown forward into the dashboard and crush the infant.

If you are wearing a seat belt, the infant can be torn from your arms during a crash. For example, if your car crashes into a parked vehicle at 30 mph (48 km/h), a 20-lb (9 kg) infant will become a 600-lb (275 kg) force, and you will not be able to hold on.

- **Never put a seat belt over yourself and an infant.** During a crash, the belt could press deep into the infant and cause very serious injuries.

# Protecting Children

---

## Protecting Small Children



### ***Child Seat Type***

A child who can sit up without support, and who fits within the child seat maker's weight and height limits, should be restrained in a forward-facing, upright child seat.

Of the different seats available, we recommend those that have a five-point harness system as shown.

We also recommend that a small child stay in the child seat as long as possible, until the child reaches the weight or height limit for the seat.

### ***Child Seat Placement***

In this car, the best place to install a forward-facing child seat is in one of the seating positions in the back seat.

***Placing a forward-facing child seat in the front seat of a vehicle equipped with a passenger's airbag can be hazardous.*** If the vehicle seat is too far forward, or the child's head is thrown forward during a collision, an inflating passenger's airbag can strike the child with enough force to cause very serious or fatal injuries. If a small child must be closely watched, we recommend that another adult sit in the back seat with the child.

### **⚠ WARNING**

Improperly placing a forward-facing child seat in the front seat can result in serious injury or death if the airbags inflate.

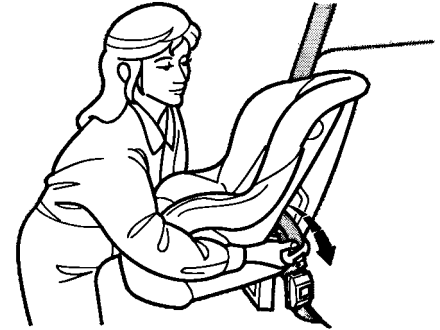
If you must place a forward-facing child seat in front, move the vehicle seat as far back as possible and properly restrain the child.

If it is necessary to put a forward-facing child seat in the front, move the vehicle seat as far to the rear as possible, be sure the child seat is firmly secured to the car, and the child is properly strapped in the seat.

### ***Child Seat Installation***

The lap/shoulder belts in the back and front passenger seating positions have a locking mechanism that must be activated to secure a child seat.

The following pages provide instructions on how to secure a forward-facing child seat with this type of seat belt.

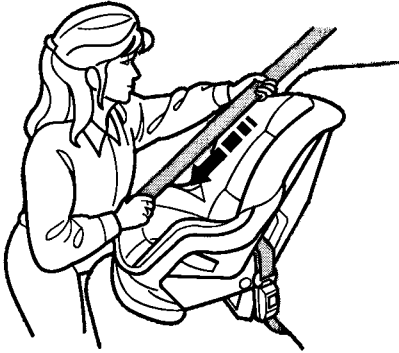


1. With the child seat in the desired seating position, route the belt through the child seat according to the seat maker's instructions, then insert the latch plate into the buckle.

CONTINUED

## Protecting Children

---

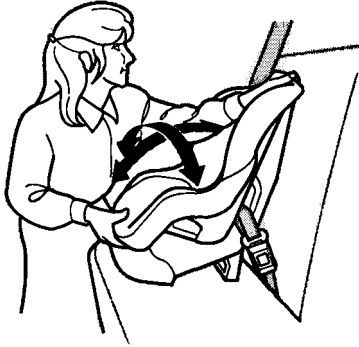


2. To activate the lockable retractor, slowly pull the shoulder part of the belt all the way out until it stops, then let the belt feed back into the retractor (you might hear a clicking noise as the belt retracts).

3. After the belt has retracted, tug on it. If the belt is locked, you will not be able to pull it out. If you can pull the belt out, it is not locked and you will need to repeat these steps.



4. After confirming that the belt is locked, grab the shoulder part of the belt near the buckle and pull up to remove any slack from the lap part of the belt. Remember, if the lap part of the belt is not tight, the child seat will not be secure. It may help to put weight on the child seat, or push on the back of the seat, while pulling up on the belt.



5. Push and pull the child seat forward and from side to side to verify that it is secure enough to stay upright during normal driving maneuvers. If the child seat is not secure, unlatch the belt, allow it to retract fully, then repeat these steps.

To deactivate the locking mechanism in order to remove a child seat, unlatch the buckle, unrout the seat belt, and let the belt fully retract.

### ***Additional Precautions for Small Children***

- ***Never hold a small child on your lap.*** If you are not wearing a seat belt in a crash, you could be thrown forward into the dashboard and crush the child.

If you are wearing a seat belt, the child can be torn from your arms during a crash. For example, if your car crashes into a parked vehicle at 30 mph (48 km/h), a 30-lb (14 kg) child will become a 900-lb (410 kg) force, and you will not be able to hold on.

- ***Never put a seat belt over yourself and a child.*** During a crash, the belt could press deep into the child and cause very serious injuries.



# Protecting Children

## Protecting Larger Children

When a child reaches the recommended weight or height limit for a forward-facing child seat, the child should sit in one of the back seats and wear a lap/shoulder belt.

If a child is too short for the shoulder part of the belt to properly fit, we recommend that the child use a booster seat until the child is tall enough to use the seat belt without a booster.

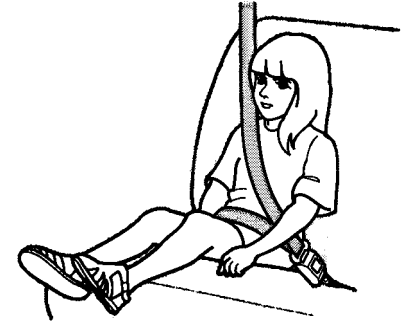
The following pages give instructions on how to check proper seat belt fit, what kind of booster seat to use if one is needed, and important precautions for a child who must sit in the front seat.

### **WARNING**

Allowing a larger child to sit improperly in the front seat can result in injury or death if the airbags inflate.

If a larger child must sit in front, make sure the child moves the seat as far back as possible and wears the seat belt properly.

## Checking Seat Belt Fit



To determine if a lap/shoulder belt properly fits a child, have the child put on the seat belt. Follow the instructions on page 16. Then check how the belt fits.

If the shoulder part of the belt rests over the child's collarbone and against the center of the chest, as shown, the child is large enough to wear the seat belt.

However, if the belt touches or crosses the child's neck, the child needs to use a booster seat.

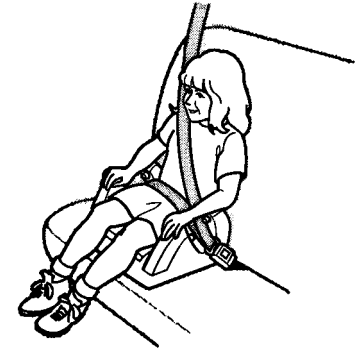
**Do not let a child wear a seat belt across the neck.** This could result in serious neck injuries during a crash.

**Do not let a child put the shoulder part of a seat belt behind the back or under the arm.** This could cause very serious injuries during a crash. It also increases the chance that the child will slide under the belt in a crash and be injured.

**Do not put any accessories on a seat belt.** Devices intended to improve occupant comfort or reposition the shoulder part of a seat belt, severely compromise the protective capability of the seat belt and increase the chance of serious injury in a crash.

**Two children should never use the same seat belt.** If they do, they could be very seriously injured in a crash.

### Using a Booster Seat



If a child needs a booster seat, we recommend choosing a style that allows the child to use the lap/shoulder belt directly, without a shield, as shown.

Whichever style you select, follow the booster seat maker's instructions.

CONTINUED

## Protecting Children

---

A child may continue using a booster seat until the tops of the ears are even with the top of the seat-back. A child of this height should be tall enough to use the lap/shoulder belt without a booster.

### ***When Can a Larger Child Sit in Front***

The National Highway Traffic Safety Administration and Transport Canada recommend that all children ages 12 and under be properly restrained in a back seat.

The back seat is the safest place for a child of any age or size.

In addition, the passenger's airbag poses serious risks to children. If the seat is too far forward, or the child's head is thrown forward during a collision, or the child is unrestrained or out of position, an inflating airbag can kill or seriously injure the child.

Of course, children vary widely. And while age may be one indicator of when a child can safely ride in the front, there are other important factors you should consider.

### ***Physical Size***

Physically, a child must be large enough for the lap/shoulder belt to properly fit over the hips, chest, and shoulder (see pages [16](#) and [38](#)). If the seat belt does not fit properly, the child should not sit in the front.

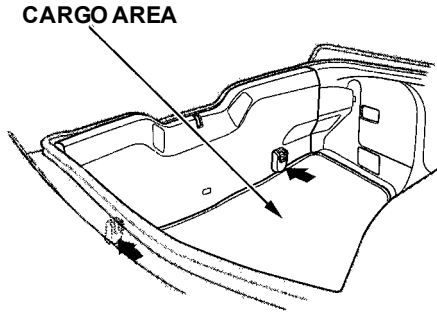
### ***Maturity***

To safely ride in front, a child must be able to follow the rules, including sitting properly and wearing the seat belt properly throughout a ride.

If you decide that a child can safely ride up front, be sure to:

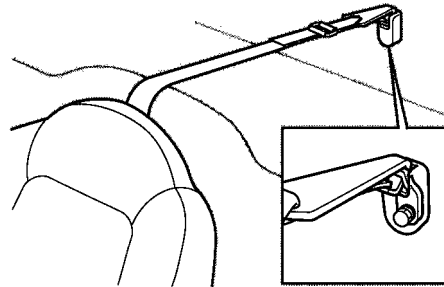
- Carefully read the owner's manual and make sure you understand all seat belt instructions and all safety information.
- Move the vehicle seat to the rear-most position.
- Have the child sit up straight, back against the seat, and feet on or near the floor.
- Check that the child's seat belt is properly positioned and secured.
- Supervise the child. Even mature children sometimes need to be reminded to fasten the seat belts or sit properly.

### Using Child Seats with Tethers



Your Acura has two tether anchorages on the rear panel for securing a tether-style child seat to the car.

Since a tether can provide additional security, we recommend using a tether whenever one is required or available.



Attach the tether strap hook to the tether anchorage point as shown in the illustration, then tighten the strap according to the child seat maker's instructions.

When you reinstall the tether hardware after replacing the tail/stoplight or back-up light bulb, make sure the toothed washer is on the bottom of the bolt, Tighten the bolt to:

**16 lbf.ft (22 N.m, 2.2 kgf.m)**

If a torque wrench was not used, see your Acura dealer as soon as possible to verify proper reinstallation.

If you are not sure how to reinstall the tether hardware, contact your Acura dealer.

## Additional Information About Your Seat Belts

---

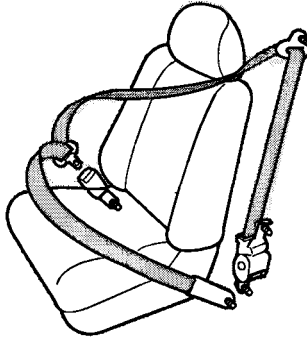
### Seat Belt System Components

Your seat belt system includes lap/shoulder belts in all four seating positions.



The seat belt system also includes a light on the instrument panel to remind you and your passengers to fasten your belts. If the driver's seat belt is not fastened before the ignition is turned ON (II), the light will come on and a beeper will also sound. The beeper will stop after a few seconds, but the light will stay on until the driver's seat belt is fastened.

### Lap/Shoulder Belt



This seat belt has a single belt that goes over your shoulder, across your chest and across your hips.

To fasten the belt, insert the latch plate into the buckle, then tug on the belt to make sure the buckle is latched.

To unlock the belt, push the red **PRESS** button on the buckle.

Guide the belt across your body to the door pillar. After exiting the car, be sure the belt is out of the way and will not get closed in the door.

## Additional Information About Your Seat Belts

---

All seat belts have an emergency locking retractor. In normal driving, the retractor lets you move freely in your seat while it keeps some tension on the belt. During a collision or sudden stop, the retractor automatically locks the belt to help restrain your body.

The seat belts in all seating positions except the driver's have an additional locking mechanism that must be activated to secure a child seat. (See pages 31 and 35 for instructions on how to secure child seats with this type of seat belt.)

If the shoulder part of the belt is pulled all the way out, the locking mechanism will activate. The belt will retract, but it will not allow the passenger to move freely.

To deactivate the locking mechanism, unlatch the buckle and let the seat belt fully retract. To refasten the belt, pull it out only as far as needed.

See page 16 for instructions on how to wear the lap/shoulder belt properly.

### **Seat Belt Maintenance**

For safety, you should check the condition of your seat belts regularly.

Pull each belt out fully and look for frays, cuts, burns, and wear. Check that the latches work smoothly and that the lap/shoulder belts retract easily. Any belt not in good condition or not working properly will not provide good protection and should be replaced as soon as possible.

### ***U.S. Models***

Acura provides a lifetime warranty on seat belts. Acura will repair or replace any seat belt component that fails to function properly during normal use. Please see your *Acura Warranty Information* booklet for details.

CONTINUED

## Additional Information About Your Seat Belts

---

If a seat belt is worn during a crash, you should have your dealer inspect the belt, and replace it if necessary. A belt that has been worn during a crash may not provide the same level of protection in a subsequent crash. The dealer should also inspect the anchors for damage and replace them if needed.

### **WARNING**

Not checking or maintaining seat belts can result in serious injury or death if the seat belts do not work properly when needed.

Check your seat belts regularly and have any problem corrected as soon as possible.

For information on how to clean your seat belts, see page [221](#).

## Additional Information About Your SRS

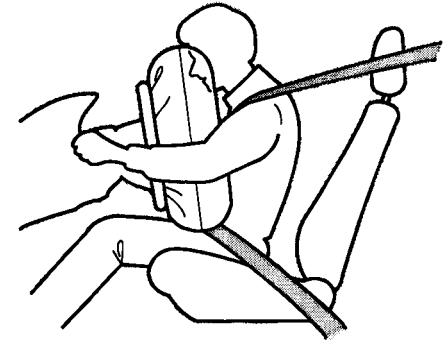
### SRS Components

Your Supplemental Restraint System (SRS) includes:

- Two front airbags. The driver's airbag is stored in the center of the steering wheel; the front passenger's airbag is stored in the dashboard. Both are marked "SRS AIRBAG."
- Sensors that can detect a moderate to severe frontal collision.
- A sophisticated electronic system that continually monitors information about the sensors, the control unit, and the airbag activators when the ignition is ON (II).

- An indicator light on the instrument panel that alerts you to a possible problem with the system (see page 47).
- Emergency backup power in case your car's electrical system is disconnected in a crash.

### How Your Airbags Work



If you ever have a moderate to severe frontal collision, the sensors will detect rapid deceleration and signal the control unit to instantly inflate the airbags.

During a crash, your seat belt helps restrain your lower body and torso. Your airbag provides a cushion to help restrain and protect your head and chest.

*CONTINUED*

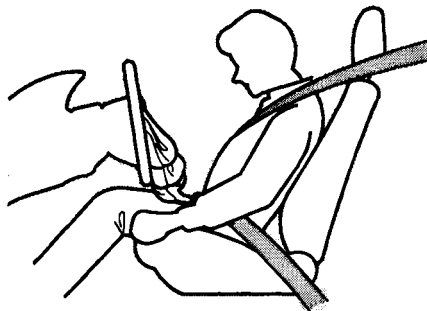


## Additional Information About Your SRS

---

Since both airbags use the same sensors, both airbags normally inflate at the same time. However, it is possible for only one airbag to inflate.

This can occur when the severity of a collision is at the margin, or threshold, that determines whether or not the airbags will deploy. In such cases, the seat belt will provide sufficient protection, and the supplemental protection offered by the airbag would be minimal.



After inflating, the airbags immediately deflate, so they won't interfere with the driver's visibility, or the ability to steer or operate other controls.

The total time for inflation and deflation is approximately one-tenth of a second, so fast that most occupants are not aware that the airbags deployed until they see them lying in their laps.

After a crash, you may see what looks like smoke. This is actually powder from the airbag's surface. Although the powder is not harmful, people with respiratory problems may experience some temporary discomfort. If this occurs, get out of the car as soon as it is safe to do so.

### **U.S. Owners**

For additional information on how your airbags work, see the booklet titled *SRS: What You Need to Know About Airbags* that came with your owner's manual.

### **Canadian Owners**

For additional information on how your airbags work, ask your dealer for a copy of the booklet titled *SRS: What You Need to Know About Airbags*.

## Additional Information About Your SRS

### How the SRS Indicator Light Works

**SRS** The purpose of the SRS light is to alert you to a potential problem with your Supplemental Restraint System.

When you turn the ignition ON (II), this indicator will light briefly then go out. This tells you that the system is working properly.

If the light comes on at any other time, or does not come on at all, you should have the system checked by your dealer. For example:

- If the SRS indicator light does not come on after you turn the ignition ON (II).
- If the light stays on after the engine starts.

- If the light comes on or flashes on and off while you drive.

If you see any of these indications, your airbags may not deploy when you need them. See your Acura dealer as soon as possible.

### **WARNING**

Ignoring the SRS indicator light can result in serious injury or death if the airbags do not inflate when needed.

Have your vehicle checked by a dealer as soon as possible if the SRS light alerts you to a potential problem.

### SRS Service

Your Supplemental Restraint System is virtually maintenance-free, and there are no parts you can safely service. However, you must have your car serviced if:

- **Your airbags ever inflate.** The airbags and the control unit must be replaced. Do not try to remove or replace the airbags yourself. This must be done by an Acura dealer or a knowledgeable body shop.
- **The SRS indicator light alerts you to a problem.** Take your car to an authorized Acura dealer as soon as possible. If you ignore this indication, the airbags might not inflate when you need them.

## Additional Information About Your SRS

---

### Additional Safety Precautions

- Do not attempt to deactivate your airbags. Together, airbags and seat belts provide the best protection in a moderate to severe frontal collision.
- Do not tamper with SRS components or wiring for any reason. Tampering could cause the airbags to deploy, possibly causing very serious injury.

See page [131](#) for further information and precautions relating to your SRS.

Your car's exhaust contains carbon monoxide gas. You should have no problem with carbon monoxide entering the car in normal driving if you maintain your car properly.

Have the exhaust system inspected for leaks whenever:

- The car is raised for an oil change.
- You notice a change in the sound of the exhaust.
- The car was in an accident that may have damaged the underside.

### **WARNING**


Carbon monoxide gas is toxic. Breathing it can cause unconsciousness and even kill you.

Avoid any enclosed areas or activities that expose you to carbon monoxide.

High levels of carbon monoxide can collect rapidly in enclosed areas, such as a garage. Do not run the engine with the garage door closed. Even with the door open, run the engine only long enough to move the vehicle out of the garage.

With the hatch open, air flow can pull exhaust gas into your car's interior and create a hazardous condition. If you must drive with the hatch open, open all the windows and set the heating and cooling system as shown below.

If you must sit in your parked car, even in an unconfined area, with the engine running, adjust the heating and cooling system as follows:

1. Select the Fresh Air mode.
2. Select the  mode.
3. Turn the fan on high speed.
4. Set the temperature control to a comfortable setting.

# Safety Labels

These labels are in the locations shown. They warn you of potential hazards that could cause serious injury. Read these labels carefully.

If a label comes off or becomes hard to read, contact your Acura dealer for a replacement.

## HOOD

### ⚠ WARNING

The airbag inflator is explosive and, if accidentally deployed, can seriously hurt you. Follow Service Manual instructions carefully.

### ⚠ ATTENTION

Le gonfleur SRS est explosible, et s'il se déploie accidentellement, il risque de provoquer des blessures graves ou de tuer. Suivre attentivement les instructions du manuel d'entretien.

## RADIATOR CAP



## DASH BOARD

*U.S. models only*

### ⚠ WARNING

**Children Can Be KILLED or INJURED by Passenger Air Bag**

- The back seat is the safest place for children 12 and under.
- Make sure all children use seat belts or child seats.

To be removed by owner only.

## SUN VISOR

*U.S. models*

### ⚠ WARNING



**DEATH or SERIOUS INJURY can occur**

- Children 12 and under can be killed by the air bag
- The **BACK SEAT** is the **SAFEST** place for children
- **NEVER** put a rear-facing child seat in the front
- Sit as far back as possible from the air bag
- **ALWAYS** use **SEAT BELTS** and **CHILD RESTRAINTS**

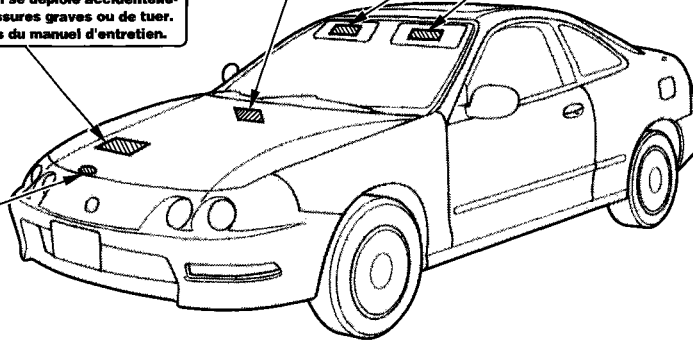
*Canadian models*

#### CAUTION

TO AVOID SERIOUS INJURY:  
• FOR MAXIMUM SAFETY PROTECTION IN ALL TYPES OF CRASHES, YOU MUST ALWAYS WEAR YOUR SAFETY BELT  
• DO NOT INSTALL REARWARD-FACING CHILD SEATS IN ANY FRONT PASSENGER SEAT POSITION.  
• DO NOT SIT OR LEAN UNNECESSARILY CLOSE TO THE AIR BAG.  
• DO NOT PLACE ANY OBJECTS OVER THE AIR BAG OR BETWEEN THE AIR BAG AND YOURSELF.  
• SEE THE OWNER'S MANUAL FOR FURTHER INFORMATION AND EXPLANATIONS.

#### PRÉCAUTION:

POUR ÉVITER DES BLESSURES GRAVES:  
• POUR PROFITER D'UNE PROTECTION MAXIMALE LORS D'UNE COLLISION BOUCLEZ TOUJOURS VOTRE CEINTURE DE SÉCURITÉ.  
• N'INSTALLEZ JAMAIS UN SIÈGE POUR ENFANTS FAISANT FACE À L'ARRIÈRE SUR LE SIÈGE DU PASSAGER AVANT.  
• NE VOUS APPUYEZ PAS ET NE VOUS ASSEYEZ PAS PRES DU COUSSIN GONFLABLE.  
• NE DÉPOSEZ AUCUN OBJET SUR LE COUSSIN GONFLABLE OU ENTRE LE COUSSIN GONFLABLE ET VOUS.  
• LISEZ LE GUIDE UTILISATEUR POUR DE PLUS AMPLES RENSEIGNEMENTS.

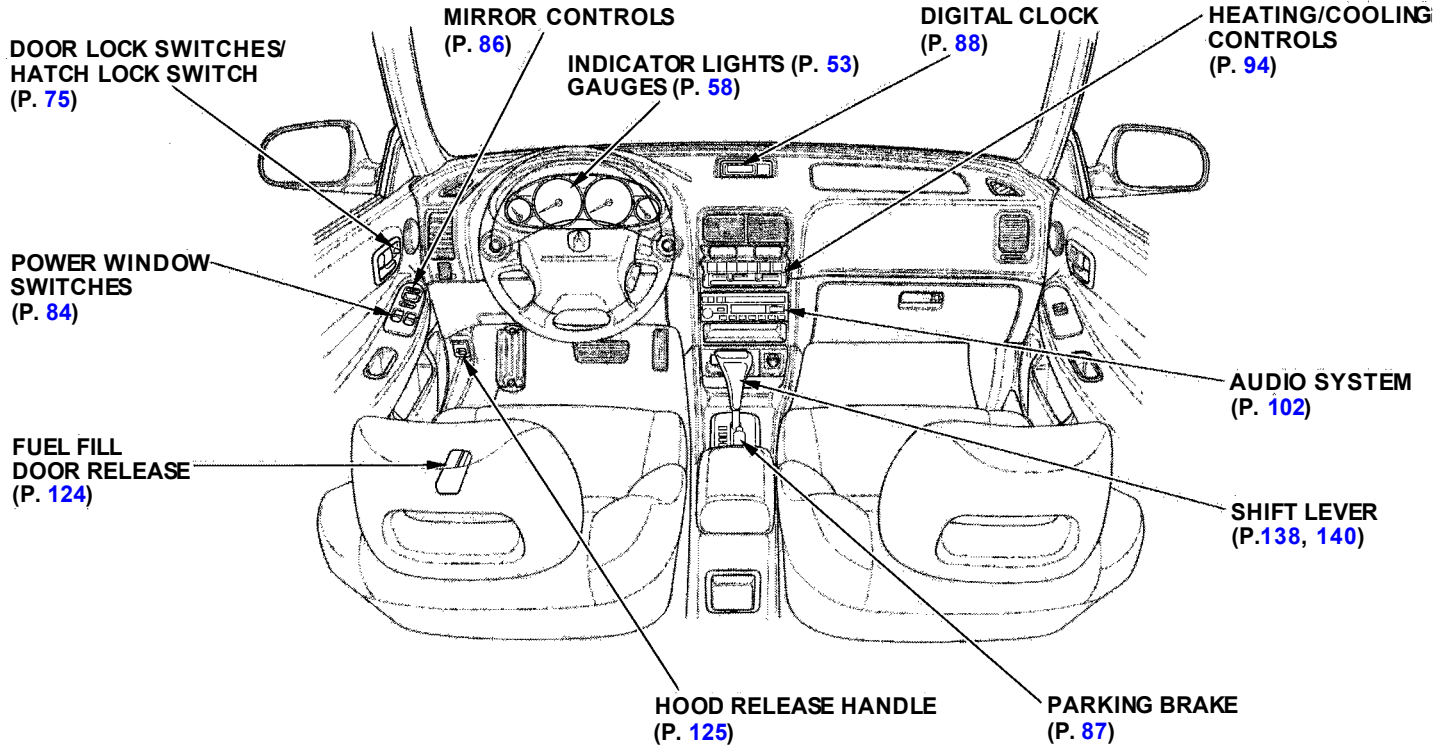


This section gives information about the controls and displays that contribute to the daily operation of your Acura. All the essential controls are within easy reach.

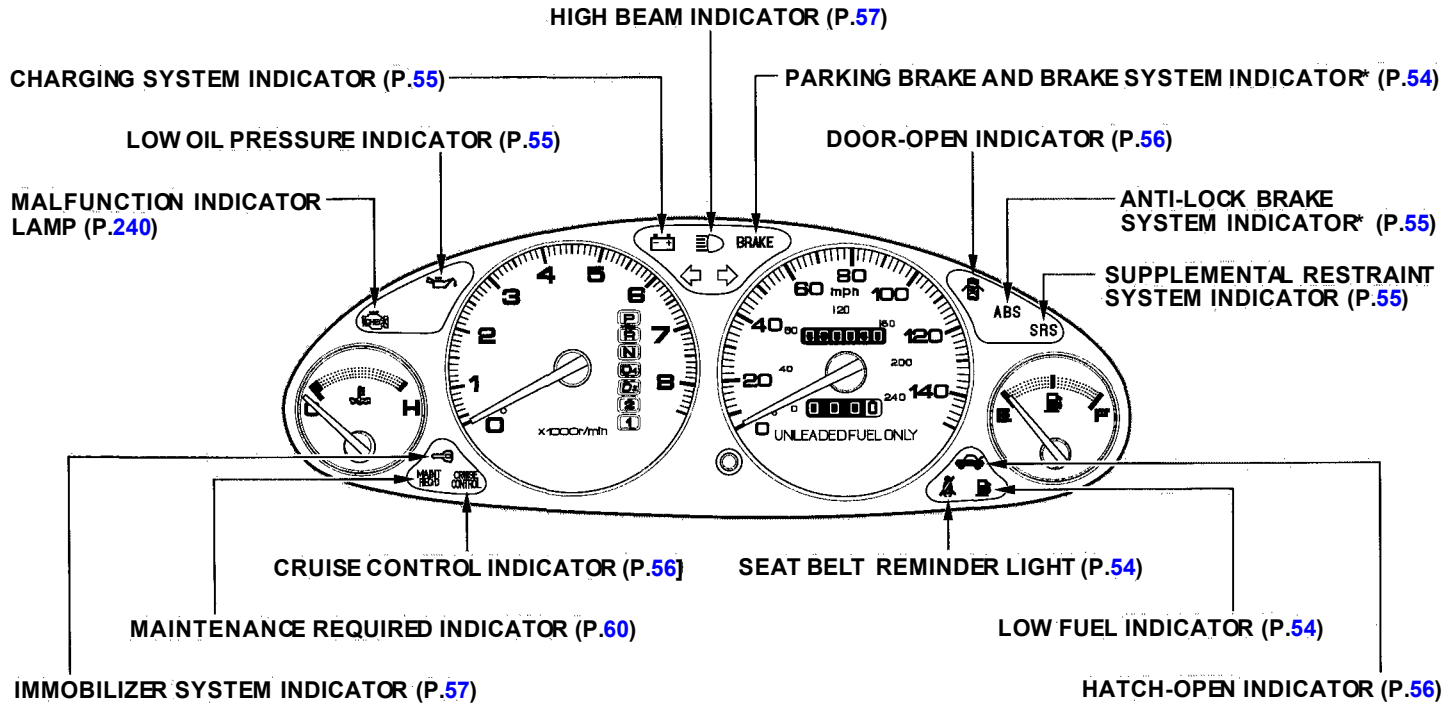
|                        |    |                                  |    |                                  |    |
|------------------------|----|----------------------------------|----|----------------------------------|----|
| Control Locations..... | 52 | Gauges.....                      | 58 | Immobilizer System.....          | 72 |
| Indicator Lights.....  | 53 | Speedometer.....                 | 58 | Ignition Switch.....             | 73 |
|                        |    | Tachometer.....                  | 58 | Door Locks.....                  | 75 |
|                        |    | Odometer.....                    | 58 | Power Door/Hatch Locks.....      | 75 |
|                        |    | Trip Meter.....                  | 58 | Hatch.....                       | 76 |
|                        |    | Fuel Gauge.....                  | 59 | Glove Box.....                   | 78 |
|                        |    | Temperature Gauge.....           | 59 | Seat Adjustments.....            | 79 |
|                        |    | Maintenance Required             |    | Front Seat Adjustments.....      | 79 |
|                        |    | Indicator.....                   | 60 | Driver's Seat Height             |    |
|                        |    | Controls Near the Steering       |    | Adjustment.....                  | 80 |
|                        |    | Wheel.....                       | 61 | Driver's Lumbar Support.....     | 80 |
|                        |    | Headlights.....                  | 62 | Rear Seat Access.....            | 81 |
|                        |    | Daytime Running Lights.....      | 62 | Head Restraints.....             | 82 |
|                        |    | Instrument Panel Brightness..... | 63 | Folding Rear Seat.....           | 83 |
|                        |    | Turn Signals.....                | 63 | Cargo Area Cover.....            | 83 |
|                        |    | Windshield Wipers.....           | 64 | Power Windows.....               | 84 |
|                        |    | Windshield Washers.....          | 64 | Moonroof.....                    | 85 |
|                        |    | Rear Window Wiper and            |    | Mirrors.....                     | 86 |
|                        |    | Washer.....                      | 65 | Adjusting the Power Mirrors..... | 86 |
|                        |    | Hazard Warning.....              | 65 | Parking Brake.....               | 87 |
|                        |    | Rear Window Defogger.....        | 65 | Digital Clock.....               | 88 |
|                        |    | Steering Wheel Adjustment.....   | 66 | Beverage Holder.....             | 89 |
|                        |    | Steering Wheel Controls.....     | 67 | Console Compartment.....         | 90 |
|                        |    | Cruise Control.....              | 67 | Cigarette Lighter.....           | 90 |
|                        |    | Keys and Locks.....              | 71 | Ashtrays.....                    | 91 |
|                        |    | Keys.....                        | 71 | Interior Lights.....             | 92 |

# Control Locations

---



# Indicator Lights



\* The U.S. instrument panel is shown. Differences for the Canadian models are noted in the text.



## Indicator Lights

---

The instrument panel has many indicators to give you important information about your car.



### Low Fuel Indicator

This light comes on as a reminder that you must refuel soon.



### Seat Belt Reminder Light

This indicator lights when you turn the ignition switch ON (II). It is a reminder to you and your passengers to protect yourselves by fastening the seat belts. A beeper also sounds if you have not fastened your seat belt.

If you do not fasten your seat belt, the beeper will stop after a few seconds but the light stays on until you do. Both the light and the beeper stay off if you fasten your seat belt before turning on the ignition.



### Parking Brake and Brake System Indicator

This light has two functions:

1. This indicator comes on when you turn the ignition switch ON (II). It is a reminder to check the parking brake. Driving with the parking brake not fully released can damage the brakes and tires.
2. If the indicator remains lit after you have fully released the parking brake while the engine is running, or if it comes on while driving, it can indicate a problem in the brake system. For complete information, see page [241](#).

### **SRS** Supplemental Restraint System Indicator

This indicator lights when you turn the ignition switch ON (II). If it comes on at any other time, it indicates a problem in the supplemental restraint system. For complete information, see page [47](#).



### Charging System Indicator

If this light comes on when the engine is running, the battery is not being charged. For complete information, see page [239](#).



### Low Oil Pressure Indicator

The engine can be severely damaged if this light flashes or stays on when the engine is running. For complete information, see page [238](#).



### Malfunction Indicator Lamp

See page [240](#).



U.S.



Canada

### Anti-lock Brake System (ABS) Indicator

*Only on models equipped with ABS (see page [146](#))*

This light normally comes on for a few seconds when you turn the ignition switch ON (II), and when the ignition switch is turned to START (III).

If this light comes on at any other time, there is a problem in the ABS. If this happens, take the car to your dealer to have it checked. With the light on, your car still has normal braking ability but no anti-lock. For complete information, see page [148](#).

## Indicator Lights

---



### Turn Signal and Hazard Warning Indicators

The left or right turn signal light blinks when you signal a lane change or turn. If the light does not blink or blinks rapidly, it usually means one of the turn signal bulbs is burned out (see page [210](#)). Replace the bulb as soon as possible, since other drivers cannot see that you are signalling.

When you turn on the Hazard Warning switch, both turn signal lights blink. All turn signals on the outside of the car should flash.



### Cruise Control Indicator

*Only on models equipped with Cruise Control System*

This lights when you set the cruise control. See page [67](#) for information on operating the cruise control.



### Hatch-open Indicator

This light comes on if the hatch is not closed tightly.



### Door-open Indicator

This light comes on if either door is not closed tightly.



### High Beam Indicator

This light comes on with the high beam headlights. See page [62](#) for information on the headlight controls.

On Canadian models, this indicator comes on with reduced brightness when the Daytime Running Lights (DRL) are on (see page [62](#)).

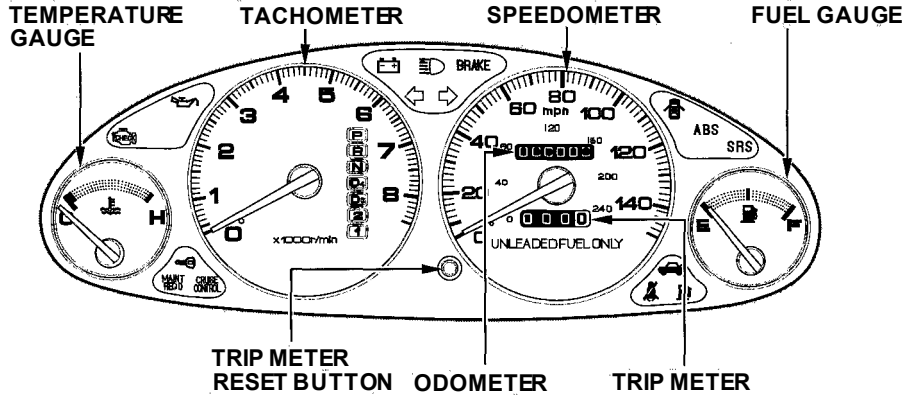


### Immobilizer System Indicator

This indicator comes on for a few seconds when you turn the ignition switch ON (II). It will then go off if you have inserted a properly-coded ignition key. If it is not a properly-coded key, the indicator will blink and the engine will not start (see page [72](#) ).

This indicator also blinks several times when you turn the ignition switch from ON (II) to ACCESSORY (I) or LOCK (0).

# Gauges



## Speedometer

### *U.S. Models*

This shows your speed in miles per hour (mph). The smaller inner numbers are the speed in kilometers per hour (km/h).

### *Canadian Models*

This shows your speed in kilometers per hour (km/h). The smaller inner numbers are the speed in miles per hour (mph).

## Tachometer

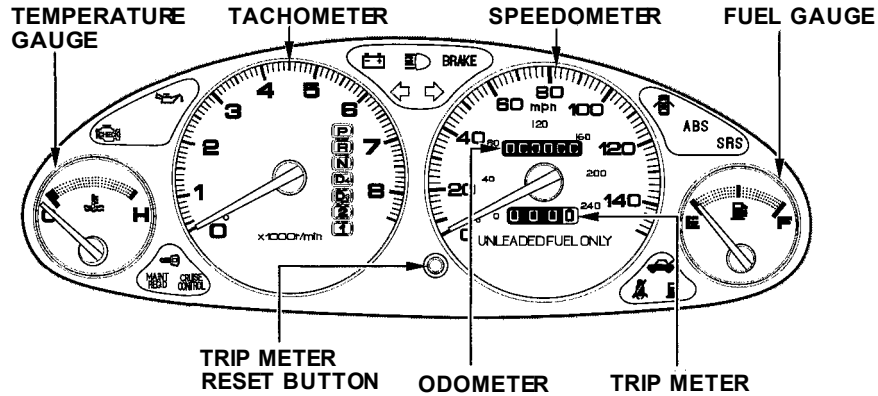
The tachometer shows the engine speed in revolutions per minute (rpm). To protect the engine from damage, never drive with the tachometer needle in the red zone.

## Odometer

The odometer shows the total distance your car has been driven. It measures miles in U.S. models and kilometers in Canadian models. It is illegal under U.S. federal law and Canadian provincial regulations to disconnect, reset, or alter the odometer with the intent to change the number of miles or kilometers indicated.

## Trip Meter

This meter shows the number of miles (U.S.) or kilometers (Canada) driven since you last reset it. To reset it, push the trip meter reset button.



## Fuel Gauge

This shows how much fuel you have. It is most accurate when the car is on level ground. It may show slightly more or less than the actual amount when you are driving on curvy or hilly roads.

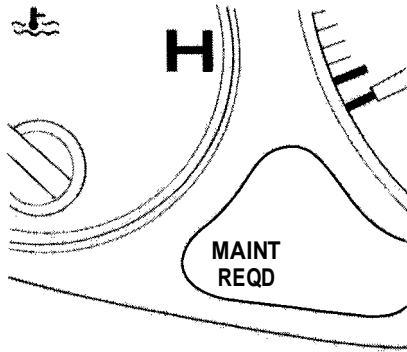
The gauge stays at the same fuel level reading after you turn off the ignition. When you add fuel, the gauge slowly changes to the new reading after you turn the ignition switch back ON (II).

## Temperature Gauge

This shows the temperature of the engine's coolant. During normal operation, the pointer should rise from the bottom white mark to about the middle of the gauge. In severe driving conditions, such as very hot weather or a long period of uphill driving, the pointer may rise to near the upper white mark. If it reaches the red (Hot) mark, pull safely to the side of the road. Turn to page [236](#) for instructions and precautions on checking the engine's cooling system.

## Gauges

### Maintenance Required Indicator

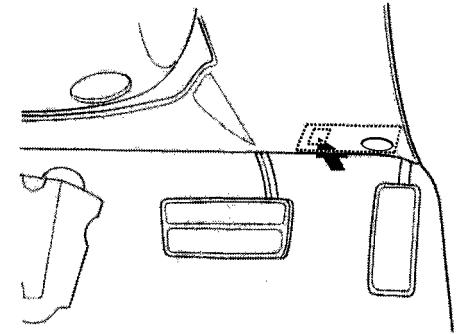


This indicator reminds you that it is time to take your car in for scheduled maintenance. Refer to the Maintenance Schedules for Normal and Severe Driving Conditions on pages [164](#) — [168](#) .

For the first 6,000 miles (9,600 km) after the Maintenance Required Indicator is reset, it will come on for two seconds when you turn the ignition switch ON (II).

Between 6,000 miles (9,600 km) and 7,500 miles (12,000 km) this indicator will light for two seconds when you first turn the ignition switch ON (II), and then flash for ten seconds.

If you exceed 7,500 miles (12,000 km) without having the scheduled maintenance performed, this indicator will remain on as a constant reminder.



Your dealer will reset this indicator after completing the scheduled maintenance. If this maintenance is done by someone other than your Acura dealer, reset the indicator by pressing the reset button. This button is located on the bottom of the dashboard to the right of the steering column.

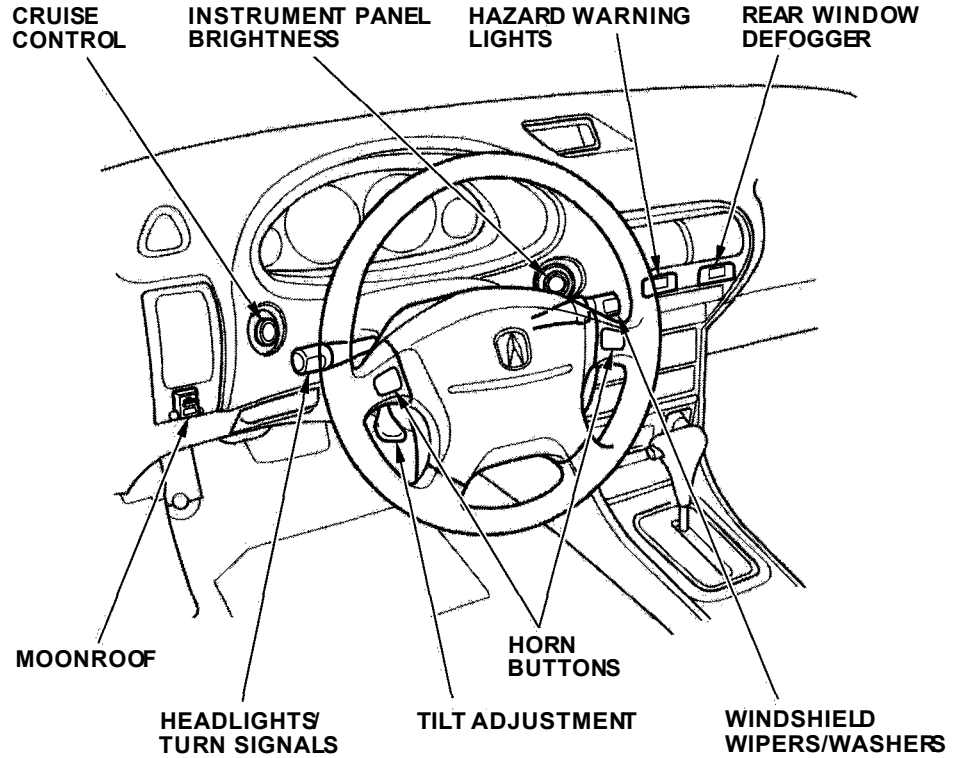
## Controls Near the Steering Wheel

The two levers on the steering column contain controls for driving features you use most often. The left lever controls the turn signals, headlights, and high beams. The right lever controls the windshield washers and wipers.

The controls on the dashboard to the right of the steering column are for the instrument panel brightness, hazard warning lights and rear window defogger.

The moonroof switch and cruise control switch are to the left of the steering column.

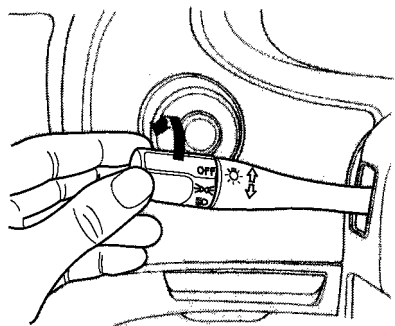
The tilt adjustment lever on the underside of the steering column allows you to tilt the steering wheel.

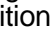
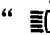




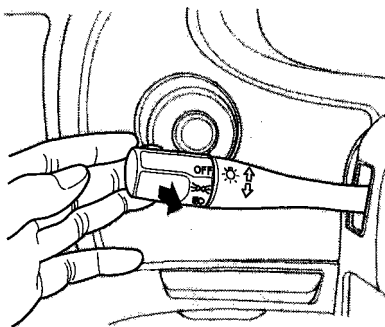
## Controls Near the Steering Wheel

### Headlights



The rotating switch on the left lever controls the lights. Turning this switch to the “ ” position turns on the parking lights, taillights, instrument panel lights, side-marker lights, and rear license plate lights. Turning the switch to the “ ” position turns on the headlights.

If you leave the lights on with the ignition switch in ACCESSORY (I) or LOCK (0), you will hear a reminder beeper when you open the driver's door.



To change between low beams and high beams, pull the turn signal lever until you hear a click, then let go. The blue high beam indicator will light (see page 57).

To flash the high beams, pull the turn signal lever back lightly, then release it. The high beams will come on and go off.

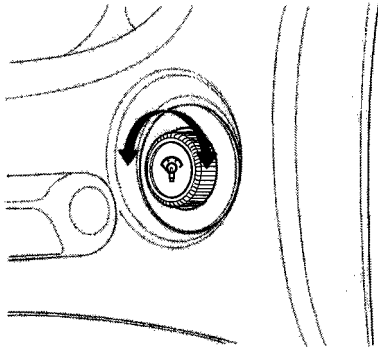
The high beams will stay on for as long as you hold the lever back, no matter what position the headlight switch is in.

### Daytime Running Lights (Canadian Models)

With the headlight switch off, the high beam headlights come on with reduced brightness when you turn the ignition switch to ON (II) and release the parking brake. They remain on until you turn the ignition off, even if you set the parking brake.

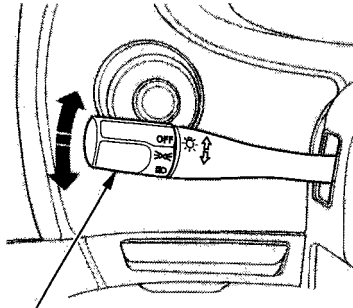
The headlights revert to normal operation when you turn them on with the switch.

### Instrument Panel Brightness



The knob on the dashboard to the right of the steering column controls the brightness of the instrument panel lights. Turn the knob to adjust the brightness.

### Turn Signals



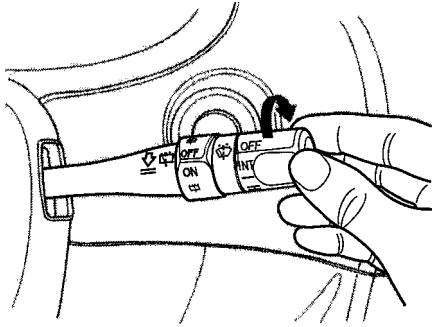
**TURN SIGNAL LEVER**

Signal a turn or lane change with this lever. Push down on the lever to signal a left turn, and up to signal a right turn. If you push it up or down all the way, the turn signal continues to blink even when you release the lever. It shuts off automatically as you complete the turn.

To signal a lane change, push lightly on the turn signal lever in the proper direction and hold it. The lever will return to the center position as soon as you release it.

## Controls Near the Steering Wheel

### Windshield Wipers



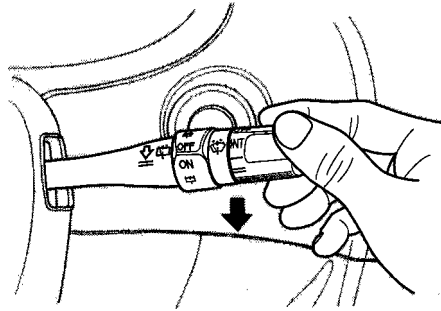
The right lever controls the windshield wipers and washers. The rotary switch at the end of the lever has three positions:

INT: intermittent

— : low speed

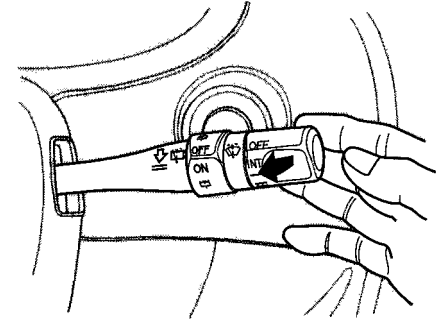
== : high speed

In intermittent, the wipers operate every few seconds. In low speed and high speed, the wipers run continuously.



To operate the wipers in mist mode, push the control lever down. The wipers run at high speed until you release the lever. This gives you a quick way to clear the windshield.

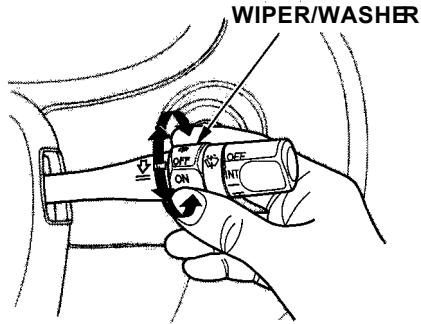
### Windshield Washers



To clean the windshield, pull back on the wiper control lever. The washers spray until you release the lever.

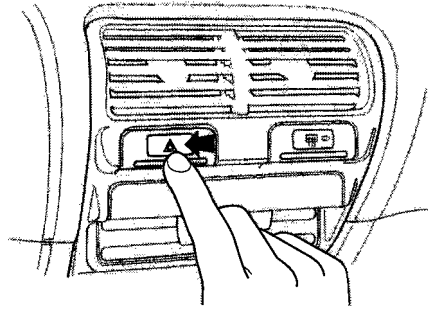
The wipers run at low speed while you're pulling the lever, then complete one more sweep of the windshield after you release it.

### Rear Window Wiper and Washer



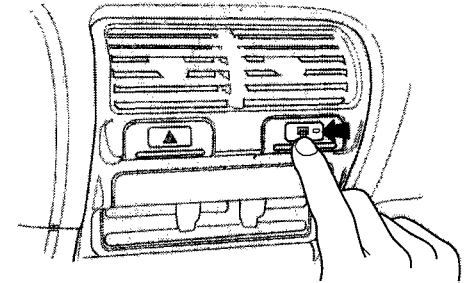
To turn on the rear window wiper, turn the ring clockwise to ON. To also use the rear window washer, turn the ring clockwise past ON. The washer will spray as long as you hold the ring in this position. If you turn the ring counterclockwise from the OFF position, the washer will spray without activating the rear window wiper.

### Hazard Warning



Push the red button under the center air vent to turn on the hazard warning lights (four-way flashers). This causes all four outside turn signals and both indicators in the instrument panel to flash. Use the hazard warning lights if you need to park in a dangerous area near heavy traffic, or if your car is disabled.

### Rear Window Defogger



The rear window defogger will clear fog, frost, and thin ice from the window. Push the defogger button to turn it on and off. The light in the button lights to show the defogger is on. If you do not turn it off, the defogger will shut itself off after about 25 minutes. It also shuts off when you turn off the ignition. You have to turn it on again when you restart the car.

*CONTINUED*

## Controls Near the Steering Wheel

---

Make sure the rear window is clear and you have good visibility before starting to drive.

The defogger wires on the inside of the rear window can be accidentally damaged. When cleaning the glass, always wipe side to side.

### Steering Wheel Adjustment

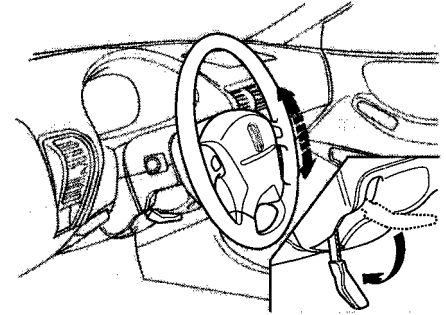
See page 17 for important safety information about how to properly position the steering wheel.

Make any steering wheel adjustment before you start driving.

#### **WARNING**

Adjusting the steering wheel position while driving may cause you to lose control of the car and be seriously injured in a crash.

Adjust the steering wheel only when the car is stopped.



To adjust the steering wheel upward or downward:

1. Push the lever under the steering column all the way down.

## Controls Near the Steering Wheel, Steering Wheel Controls

2. Move the steering wheel to the desired position, making sure the wheel points toward your chest, not toward your face. Make sure you can see the instrument panel gauges and the indicator lights.
3. Push the lever up to lock the steering wheel in that position.
4. Make sure you have securely locked the steering wheel in place by trying to move it up and down.

### Cruise Control

*LS, GS and GS-R models*

Cruise control allows you to maintain a set speed above 25 mph (40 km/h) without keeping your foot on the accelerator pedal. It should be used for cruising on straight, open highways. It is not recommended for conditions such as city driving, winding roads, slippery roads, heavy rain, or bad weather. You should have full control of the car under those conditions.

#### **WARNING**

Improper use of the cruise control can lead to a crash.

Use the cruise control only when traveling on open highways in good weather.

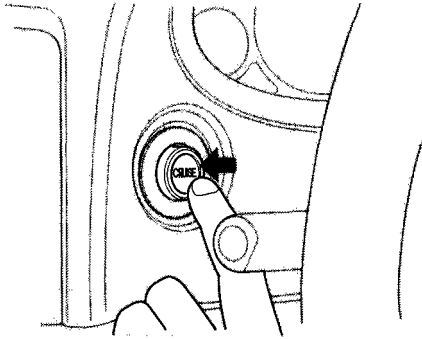
#### **NOTICE**

*The cruise control, as it operates, moves the accelerator pedal. You can damage your car's accelerator mechanism by resting your foot under the pedal and blocking the movement.*

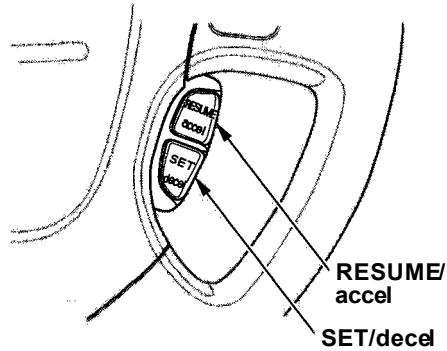
CONTINUED

## Steering Wheel Controls

### Using the Cruise Control



1. Push in the Cruise Control Master Switch to the left of the steering column. The indicator in the switch will light.
2. Accelerate to the desired cruising speed above 25 mph (40 km/h).



3. Press and release the SET/deccl button on the steering wheel. The CRUISE CONTROL light on the instrument panel comes on to show the system is now activated.

The cruise control may not hold the set speed when you are going up and down hills. If your speed increases going down a hill, use the brakes to slow down to the desired speed. This will cancel the cruise control. To resume the set speed, press the RESUME/accel button. The CRUISE CONTROL light on the instrument panel comes on.

When climbing a steep hill, the automatic transmission may downshift to hold the set speed.

### ***Changing the Set Speed***

You can increase the set cruising speed in either of two ways:

- Press and hold the RESUME/accel button. The car will accelerate. When you reach the desired cruising speed, release the button.
- Push on the accelerator pedal. Accelerate to the desired cruising speed and press the SET/decel button.

You can decrease the set cruising speed in either of two ways:

- Press and hold the SET/decel button. The car will decelerate. Release the button when you reach the desired speed.
- Tap the brake or clutch pedal lightly with your foot. The CRUISE CONTROL light on the instrument panel will go out. When the car slows to the desired speed, press the SET/decel button. The car will then maintain the desired speed.

Even with the cruise control turned on, you can still use the accelerator pedal to speed up for passing. After completing the pass, take your foot off the accelerator pedal. The car will return to the set cruising speed.

Resting your foot on the brake or clutch pedal will cause the cruise control to cancel.

*CONTINUED*



## Steering Wheel Controls

---

### ***Canceling the Cruise Control***

You can cancel the cruise control in any of these ways:

- Tap the brake or clutch pedal.
- Press the SET/decel and RESUME/accel buttons at the same time.
- Press the Cruise Control Master Switch.

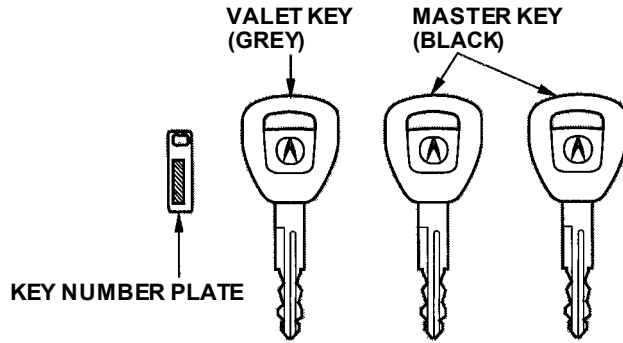
When you tap the brake or clutch pedal, or press the SET and RESUME buttons at the same time, the CRUISE CONTROL light on the instrument panel will go out and the car will begin to slow down. You can use the accelerator pedal in the normal way.

If you use the brake or clutch pedal to cancel cruise control, the system remembers the previously-set cruising speed. To return to that speed, accelerate to above 25 mph (40 km/h), then press the RESUME/accel button. The CRUISE CONTROL light comes on, and the car will accelerate to the same cruising speed as before.

If you cancel cruise control by pressing the SET and RESUME buttons at the same time, the previously-set cruising speed is erased. To use the cruise control, accelerate to the desired cruising speed and press the SET/decel button.

Pressing the Cruise Control Master Switch turns the system completely off and erases the previous cruising speed from memory. To use the system again, refer to ***Using the Cruise Control***

## Keys



Your car comes with two master keys and a valet key. The master key fits all the locks on your car:

- Ignition
- Doors
- Hatch
- Glove box

The valet key works only in the ignition and the door locks. You can keep the glove box locked when you leave your car and the valet key at a parking facility.

You should have received a key number plate with your set of keys. You will need this number if you have to get a lost key replaced. Keep the plate stored in a safe place. When replacing keys, use only Acura-approved key blanks.

CONTINUED

## Keys and Locks

---

These keys contain electronic circuits that are activated by the Immobilizer System. They will not work to start the engine if the circuits are damaged.

- Protect the keys from direct sunlight, high temperature, and high humidity.
- Do not drop the keys or set heavy objects on them.
- Keep the keys away from liquids. If they get wet, dry them immediately with a soft cloth.

The keys do not contain batteries. Do not try to take them apart.

### Immobilizer System

The Immobilizer System protects your car from theft. A properly-coded master or valet key must be used in the ignition switch for the engine to start. If an improperly-coded key (or other device) is used, the engine's fuel system is disabled.

When you turn the ignition switch to ON (II), the Immobilizer System indicator should come on for a few seconds, then go out. If the indicator starts to blink, it means the system does not recognize the coding of the key. Turn the ignition switch to LOCK (0), remove the key, reinsert it, and turn the switch to ON (II) again.

The system may not recognize your key's coding if another immobilizer key or other metal object is near the ignition switch when you insert the key. To make sure the system recognizes the key code:

- Do not keep other immobilizer keys on the same key ring.
- Use a plastic or leather key fob, not metal.
- Keep other keys away from your car's key and the ignition switch while trying to start the engine.

If the system repeatedly does not recognize the coding of your key, contact your Acura dealer.

This indicator will also blink several times when you turn the ignition switch from ON (II) to ACCESSORY (I) or LOCK (0).

Do not attempt to alter this system or add other devices to it. Electrical problems could result that may make your car undrivable.

If you have lost your key and you cannot start the engine, contact your Acura dealer.

*As required by the FCC:*

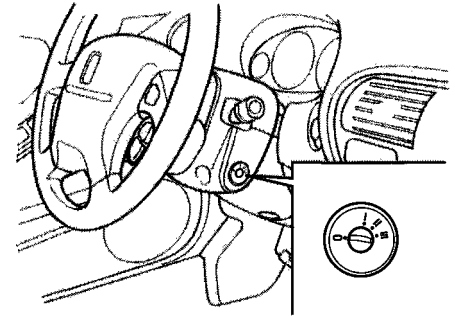
*This device complies with Part 15 of the FCC rules. Operation is subject to the following' two conditions: (1) This device may not cause harmful interference, and (2) this device must accept any interference received, including interference that may cause undesired operation.*

*Changes or modifications not expressly approved by the party responsible for compliance could void the user's authority to operate the equipment.*

*This device complies with Industry Canada Standard RSS-210.*

*Operation is subject to the following two conditions: (1) this device may not cause interference, and (2) this device must accept any interference that may cause undesired operation of the device.*

### Ignition Switch



The ignition switch is on the right side of the steering column. It has four positions:

- LOCK (0)
- ACCESSORY (I)
- ON (II)
- START (III)

CONTINUED

## Keys and Locks

---

**LOCK (0)** — You can insert or remove the key only in this position. To switch from ACCESSORY to LOCK, you must push the key in slightly as you turn it. If your car has an automatic transmission, the shift lever must also be in Park. The anti-theft lock will lock the steering column when you remove the key.

If the front wheels are turned, the anti-theft lock may sometimes make it difficult to turn the key from LOCK to ACCESSORY. Firmly turn the steering wheel to the left or to the right as you turn the key.

### **WARNING**

Removing the key from the ignition switch while driving locks the steering. This can cause you to lose control.

Remove the key from the ignition switch only when parked.

**ACCESSORY (I)** — In this position, you can operate the audio system and the cigarette lighter.

**ON (II)** — This is the normal key position when driving. All features and accessories on the car are usable. Several of the lights on the instrument panel come on as a test when you turn the ignition switch from ACCESSORY to ON.

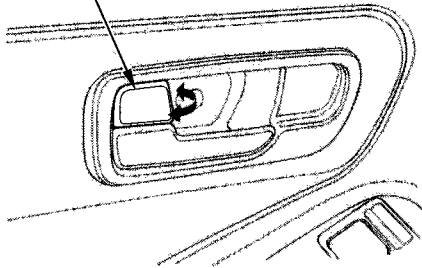
**START (III)** — Use this position only to start the engine. The switch returns to ON (II) when you let go of the key.

The engine will not start if the Immobilizer System does not recognize the key's coding (see page [72](#)).

You will hear a reminder beeper if you leave the key in the ignition switch in the LOCK (0) or ACCESSORY (I) position and open the driver's door. Remove the key to turn off the beeper.

## Door Locks

LOCK TAB



Each door has a lock tab above the inside door handle. Push the tab in to lock the door and pull it out to unlock.

To lock the passenger's door when getting out of the car, push the lock tab in and close the door. To lock the driver's door, pull the door handle and push the lock tab in. Release the handle, then close the door.

The doors can also be locked and unlocked from the outside with the key.

*SE model*

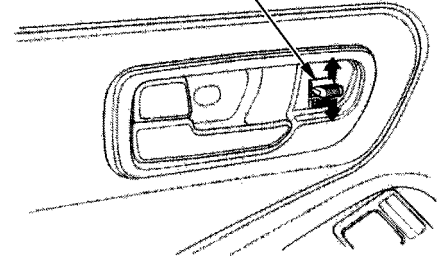
When you push in the lock tab on the driver's door, that door and the hatch will lock.

*LS, GS, GS-R and Type-R models*

When you push in the lock tab on the driver's door, both doors and the hatch will lock.

## Power Door/Hatch Locks

MASTER DOOR AND HATCH LOCK SWITCH



*SE model*

The driver's door has a hatch lock switch. The switch locks and unlocks the hatch. Push the switch down to lock the hatch and up to unlock the hatch.

The hatch can also be locked from the outside by using the key in driver's door.

CONTINUED

## Keys and Locks

---

### *LS, GS, GS-R and Type-R models*

Each door has a master door and hatch lock switch. Either switch locks and unlocks both doors and the hatch. Push the switch down to lock both doors and the hatch and up to unlock them.

To lock the passenger's door when getting out of the car, push the lock tab in and close the door. To lock the driver's door, pull the outside door handle and push the lock tab in or push the master switch down. Release the handle, then close the door.

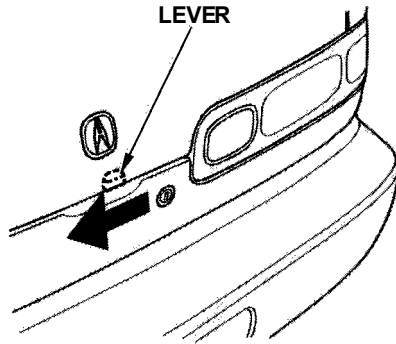
Both doors and the hatch can be locked from the outside by using the key in either door or the hatch. To unlock only the driver's door from the outside, insert the key in the driver's door lock, turn the key and release it. If you turn the key and hold it, both doors and the hatch will unlock. Both doors and the hatch will unlock when you unlock the passenger's door or the hatch with the key.

### **Hatch**

Use the master key to lock and unlock the hatch. The valet key does not work in this lock. To lock the hatch, insert the master key in the hatch lock, turn the key counterclockwise. To unlock the hatch, turn it clockwise and release it.

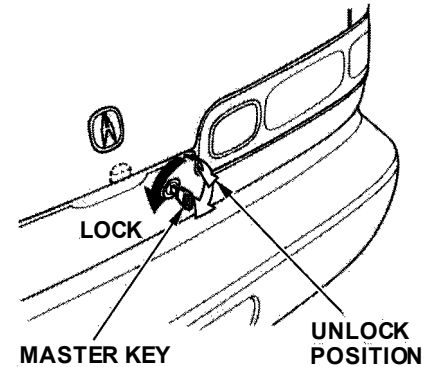
### *LS, GS, GS-R and Type-R models*

You can lock and unlock the front doors by using the key in the hatch.



To open the hatch, slide the lever behind the hatch's back edge until it releases the hatch and lift the hatch. To close the hatch, push down on the hatch's back edge.

See page 132 for cargo loading and weight limit information. Keep the hatch closed at all times while driving to avoid damaging the hatch and to prevent exhaust gas from getting into the interior. See **Carbon Monoxide Hazard** on page 49.



If an unlocked hatch does not open, turn the key clockwise past the unlock position. Open the hatch as you hold the key in that position.

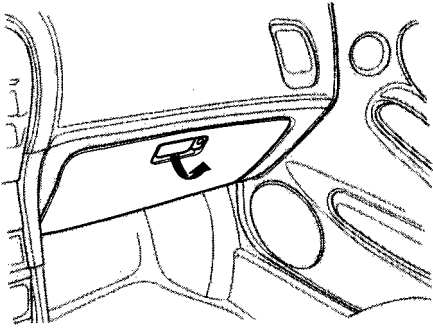
If you need to use this procedure to open the hatch, your car may be developing a problem. Have the vehicle checked by your Acura dealer.



## Keys and Locks

---

### Glove Box



Open the glove box by pulling the bottom of the handle. Close it with a firm push. Lock or unlock the glove box with the master key.

### **⚠ WARNING**

An open glove box can cause serious injury to your passenger in a crash, even if the passenger is wearing the seat belt.

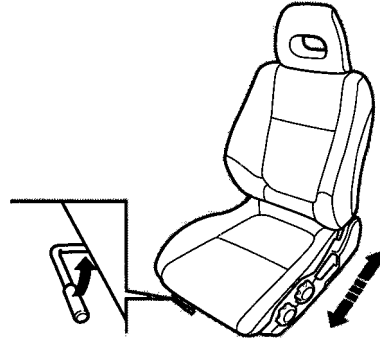
Always keep the glove box closed while driving.

*LS, GS, GS-R and Type-R models*  
The glove box light comes on only when the instrument panel lights are on.

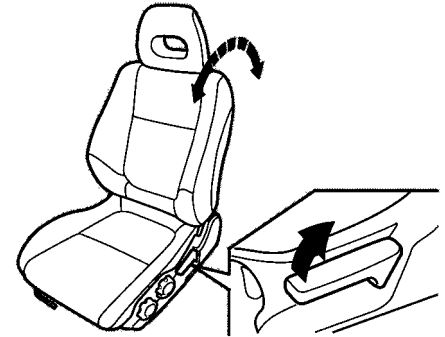
### Front Seat Adjustments

See pages 13 — 14 for important safety information and warnings about how to properly position seats and seat-backs.

Make all seat adjustments before you start driving.



To adjust the seat forward and backward, pull up on the lever under the seat cushion's front edge. Move the seat to the desired position and release the lever. Try to move the seat to make sure it is locked in position.

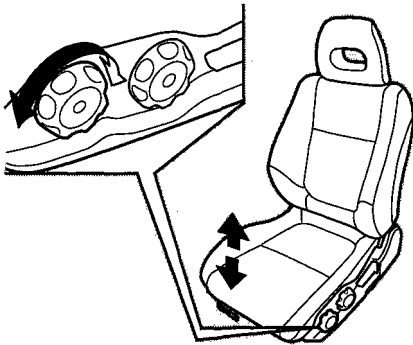


To change the angle of the seat-back, pull up on the lever on the outside of the seat bottom. Move the seat-back to the desired position and release the lever. Let the seat-back latch in the new position.

## Seat Adjustments

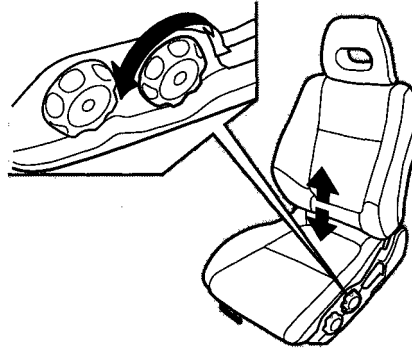
### Driver's Seat Height Adjustment

*Except SE and Type-R models  
See pages 13 — 14 for important safety  
information and warnings about how to  
properly position seats and seat-backs.*

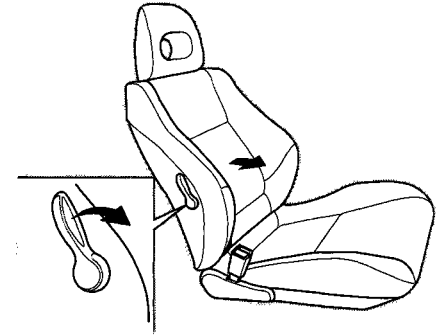


Make all adjustments before you start driving.

The height of your driver's seat is adjustable. Turn the front dial on the outside of the seat cushion to raise the front of the seat bottom and turn the rear dial to raise the rear.



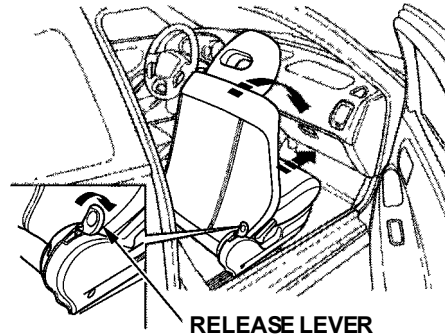
### Driver's Lumbar Support



Vary the lumbar support by moving the lever on the right side of the seat-back.

### Rear Seat Access

To get into the back seat on the driver's side, pull up on the seat-back adjustment lever.



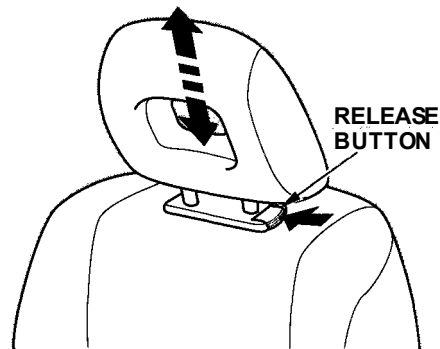
To get into the back seat on the passenger's side, push forward on the release lever at the base of the seat-back. The entire seat will slide forward at the same time to allow easier entry to the back seat. After you return the seat-back to the upright position, push the whole seat backwards until it latches. Make sure the seat is fully latched before sitting in it.

## Seat Adjustments

---

### Head Restraints

See page 15 for important safety information and a warning about how to properly position the head restraints.



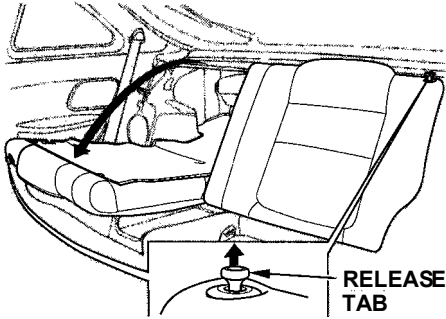
The front head restraints help protect you and your passenger from whiplash and other injuries. They are most effective when you adjust them so the back of the occupant's head rests against the center of the restraint. A taller person should adjust the restraint as high as possible.

The front head restraints adjust for height. You need both hands to adjust the restraint. Do not attempt to adjust it while driving. To raise it, pull upward. To lower the restraint, push the release button sideways and push the restraint down.

To remove a head restraint for cleaning or repair, pull it up as far as it will go. Push the release button and pull the restraint out of the seat-back.

## Folding Rear Seat, Cargo Area Cover

### Folding Rear Seat



The back of the rear seat folds down to give you more cargo space. Each side folds down separately. With only half the seat folded, you can still carry a passenger in the back seat.

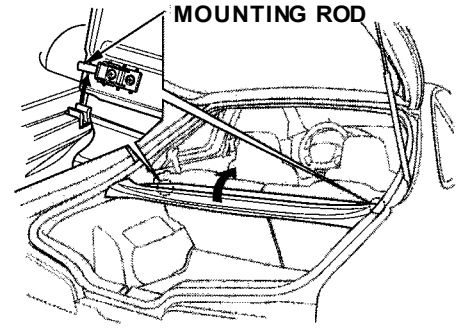
To unlatch either side of the seat-back, pull up on the release tab. Move the seat belt out of the way and fold the seat-back down.

To lock the seat-back upright, push the seat-back firmly against its latch. Tug on the seat-back to make sure it is latched.

Do not put any heavy items on the seat-back when it is folded.

Make sure all items in the cargo area are secured. Loose items can fly forward and cause injury if you have to brake hard. See **Carrying Cargo** on page [132](#).

### Cargo Area Cover



The cargo area cover may be removed to give you more cargo height. Place your hands, palms up, under the cover near the outside edges. Lift it straight up.

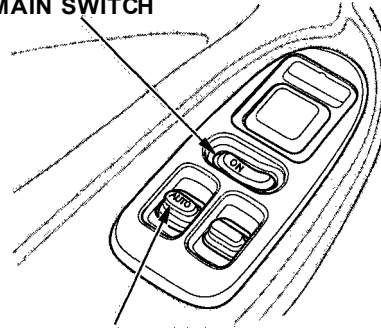
To install the cover, line up the mounting rods with the slots, then push down on the cover until it clips into place. Make sure it is securely latched so it will not come loose while you are driving.

## Power Windows

Your car's windows are electrically-powered. Turn the ignition switch to ON (II) to raise or lower any window.

Each door has a switch that controls its window. To open the window, push the switch down and hold it. Release the switch when you want the window to stop. Close the window by pushing the switch up and holding it.

**MAIN SWITCH**



**DRIVERS WINDOW SWITCH**

The driver's armrest has a master power window control panel. To open the passenger's window, push down on the switch and hold it down until the window reaches the desired position. To close the window, push up on the window switch. Release the switch when the window gets to the position you want.

### **WARNING**

Closing a power window on someone's hands or fingers can cause serious injury.

Make sure your passengers are away from the windows before closing them.

The master control panel also contains these extra features:

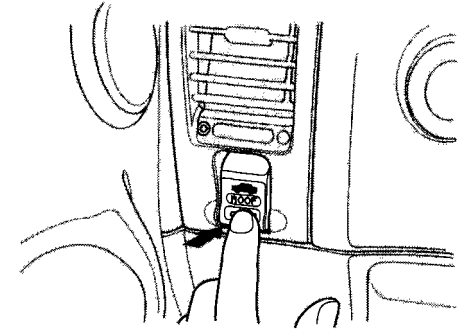
**AUTO** — To open the driver's window fully, push the window switch firmly down and release it. The window automatically goes all the way down. To stop the window from going all the way down, push the window switch up briefly.

To open the driver's window only partially, push the window switch down lightly and hold it. The window will stop as soon as you release the switch.



The AUTO function only works to lower the driver's window. To raise the window, you must push the window switch up and hold it until the window reaches the desired position.

The MAIN switch controls power to the passenger's window. With this switch off, the passenger's window cannot be raised or lowered. The MAIN switch does not affect the driver's window. Keep the MAIN switch off when you have children in the car so they do not injure themselves by operating the window unintentionally.

### Moonroof



*On some models*

Use the switch on the dashboard to open and close the moonroof. The ignition switch must be ON (II). Push and hold the  switch to open the moonroof. Release the switch when the moonroof reaches the desired position. To close the moonroof, press and hold the  switch.

CONTINUED



## Moonroof, Mirrors

### **WARNING**

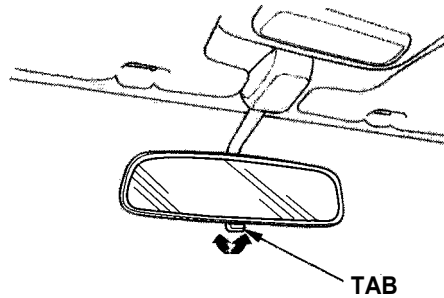
Closing the moonroof on someone's hands or fingers can cause serious injury.

Make sure passengers are clear of the moonroof before closing it.

### **NOTICE**

*If you try to open the moonroof in below-freezing temperatures, or when it is covered with snow or ice, you can damage the moonroof panel or motor.*

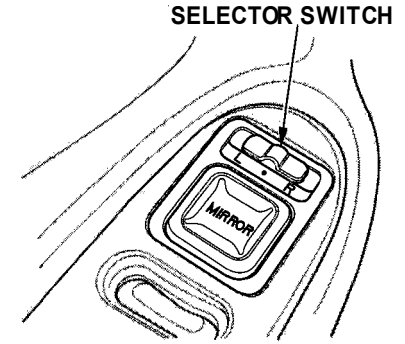
### Mirrors



Keep the inside and outside mirrors clean and adjusted for best visibility. Be sure to adjust the mirrors before you start driving.

The inside mirror has day and night positions. The night position reduces glare from headlights behind you. Flip the tab on the bottom edge of the mirror to select the day or night position.

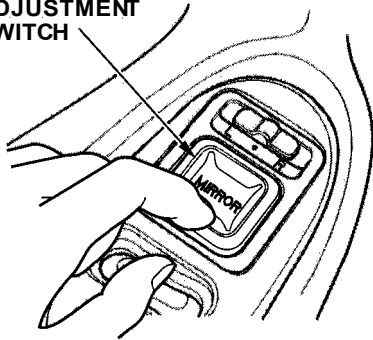
### Adjusting the Power Mirrors



Adjust the outside mirrors with the adjustment switch on the driver's door:

1. Turn the ignition switch ON (II).
2. Move the selector switch to L (driver's side) or R (passenger's side).

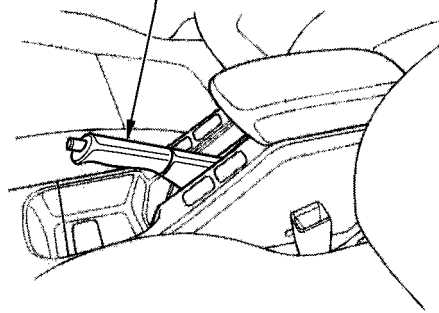
ADJUSTMENT SWITCH



3. Push the appropriate edge of the adjustment switch to move the mirror right, left, up or down.
4. When you finish, move the selector switch to the center (off) position. This turns off the adjustment switch so you can't move a mirror out of position by accidentally bumping the switch.

Parking Brake

PARKING BRAKE LEVER

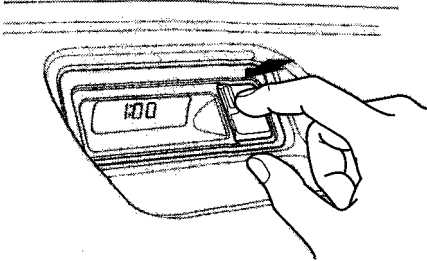


To apply the parking brake, pull the lever up fully. To release it, pull up slightly, push the button, and lower the lever. The parking brake light on the instrument panel should go out when the parking brake is fully released (see page [54](#)).

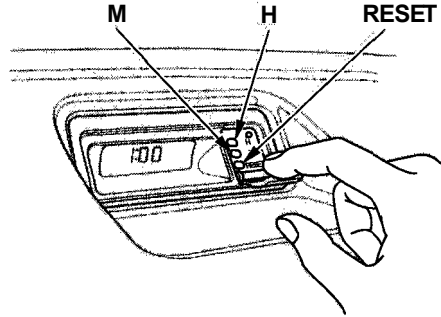
### NOTICE

*Driving the car with the parking brake applied can damage the rear brakes and axles.*

## Digital Clock



The digital clock displays the time with the ignition switch ON (II). To see the time with the ignition off, press and hold the wide button next to the clock.



To set the clock:

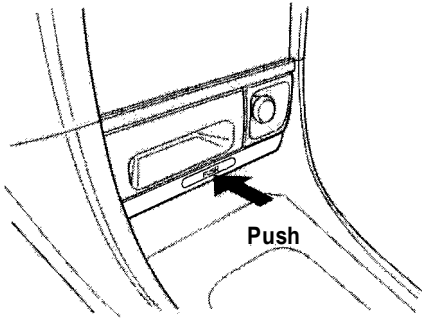
1. Turn the ignition switch ON (II) to display the time.
2. Swing down the front cover of the wide button next to the clock display. You will see H, M, and RESET buttons.

3. Press and hold the H button until the hour advances to the desired time.
4. Press and hold the M button until the numbers advance to the desired time.

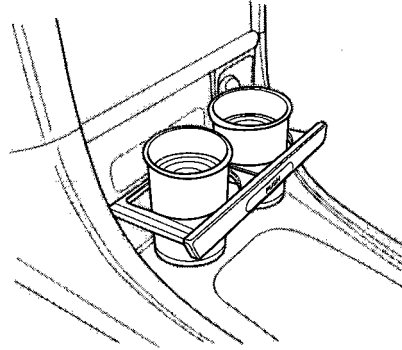
You can use the RESET button to quickly set the time to the nearest hour. If the displayed time is before the half hour, pressing the RESET button sets the clock back to the previous hour. If the displayed time is after the half hour, pressing the RESET button sets the clock forward to the beginning of the next hour.

For example:

- 1:06 would RESET to 1:00.
- 1:52 would RESET to 2:00.



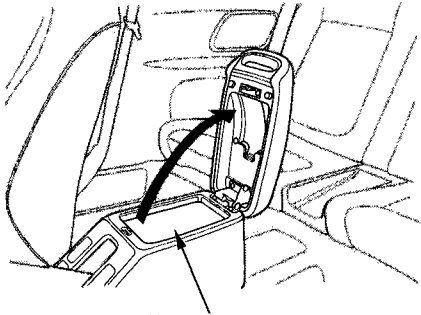
To open the beverage holder, push on the front to get it to pop out slightly. Then pull it out the rest of the way. To close it, push it until it latches.



Be careful when you are using the beverage holder. A spilled liquid that is very hot can scald you or your passengers. Spilled liquids can also damage the upholstery, carpeting, and electrical components in the interior.

## Console Compartment, Cigarette Lighter

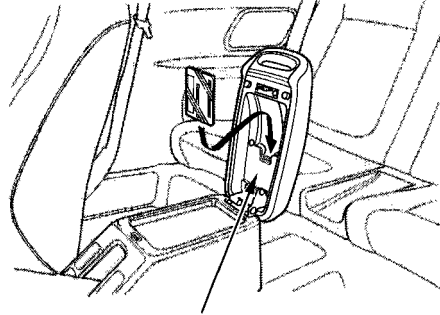
### Console Compartment



**CONSOLE COMPARTMENT**

To open the console compartment, pull up the front edge of the lid.

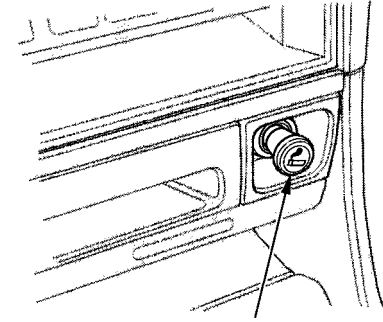
To close, lower the lid and push it down until it latches.



**CARD HOLDER**

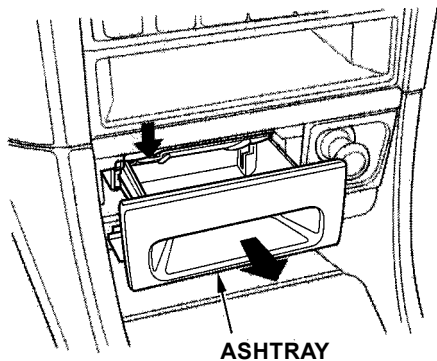
The pocket on the underside of the console compartment lid can be used to hold cards.

### Cigarette Lighter

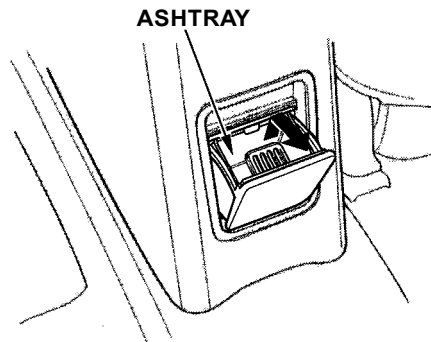


**CIGARETTE LIGHTER**

The ignition switch must be in ACCESSORY (I) or ON (II) for the cigarette lighter to work. To heat up the lighter, push it in. It will pop out when it is ready for use. Do not hold the lighter in while it is heating up, you could cause it to overheat.



Open the front ashtray by pulling on the front. Push it in to close it. To remove the ashtray for emptying, push down on the metal plate inside, then pull the ashtray out completely.



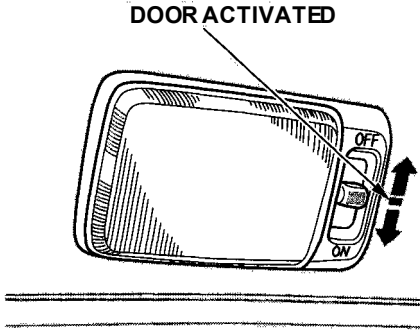
The rear ashtray is at the rear end of the center console. Open the ashtray by swinging the upper edge of the lid down. To remove the ashtray for emptying, open it, then lift up and out.

## NOTICE

*Use the ashtray only for cigarettes, cigars, and other smoking materials. To prevent a possible fire and damage to your car, don't put paper or other things that can burn in the ashtray.*

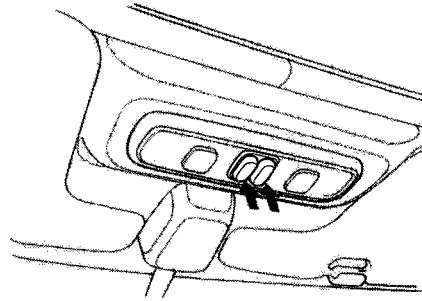
# Interior Lights

## Ceiling Light



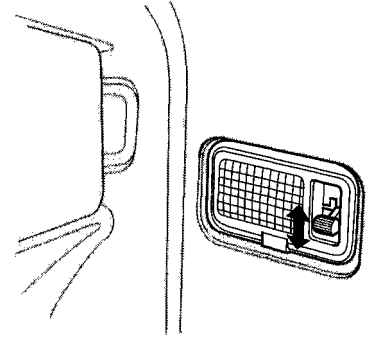
The ceiling light has a three-position switch. In the OFF position, the light does not come on. In the center position, the ceiling light comes on when you open either door. In the ON position, the ceiling light stays on continuously.

## Spotlights



*LS, GS and GS-R models*  
Turn on the spotlight by pushing the button next to each light. Push the button again to turn it off. You can use the spotlights at all times.

## Cargo Area Light



The cargo area light has a two-position switch. In the OFF (down) position, the light does not come on. In the ON (up) position, the light comes on when you open the hatch.

## Comfort and Convenience Features

The heating and air conditioning\* systems in your Acura provide a comfortable driving environment in all weather conditions.

The standard audio system has many features. This section describes those features and how to use them. (If you selected an optional audio system, refer to the operating instructions that came with it.)

Your Acura has an anti-theft audio system that requires a code number to enable it.

\* Air conditioning is optional on the Type-R model in Canada.

|                                     |     |
|-------------------------------------|-----|
| Heating and Cooling.....            | 94  |
| What Each Control Does.....         | 94  |
| How to Use the System.....          | 96  |
| To Turn Everything Off.....         | 101 |
| Audio System.....                   | 102 |
| Operating the Radio.....            | 103 |
| Adjusting the Sound.....            | 106 |
| Radio Frequencies.....              | 107 |
| Radio Reception.....                | 107 |
| Operating the CD Player.....        | 109 |
| Operating the CD Changer.....       | 111 |
| Protecting Compact Discs.....       | 112 |
| CD Player Error Indications.....    | 113 |
| CD Changer Error Indications.....   | 114 |
| Operating the Cassette Player.....  | 115 |
| Tape Search Functions.....          | 116 |
| Caring for the Cassette Player..... | 118 |
| Theft Protection.....               | 119 |



## Heating and Cooling

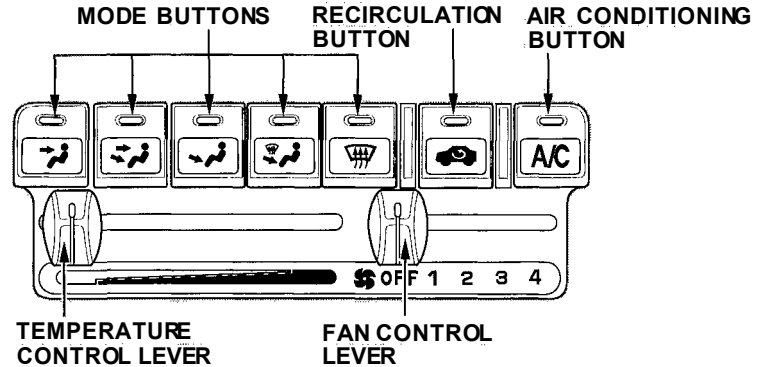
Proper use of the Heating and Cooling system can make the interior dry and comfortable, and keep the windows clear for best visibility.

(Canadian Type-R model only)  
If your car does not have air conditioning, it can be installed at any time. Your dealer will install a Genuine Acura air conditioning system that meets Acura's high quality standards and is designed to exactly fit your car. Please contact your dealer for more information.

### What Each Control Does

#### Fan Control Lever

Sliding this lever to the right increases the fan's speed, which increases air flow.



#### Temperature Control Lever

Sliding this lever to the right increases the temperature of the air flow.

#### Air Conditioning (A/C) Button


This button turns the air conditioning ON and OFF. The indicator in the button lights when the A/C is on.


#### Recirculation Button


This button controls the source of the air going into the system. When the indicator in this button is lit, air from the car's interior is sent through the system again (Recirculation mode). When the indicator is off, air is brought in from outside the car (Fresh Air mode).


### Mode Buttons


Use the MODE buttons to select the vents the air flows from. Some air will flow from the dashboard corner vents in all modes.

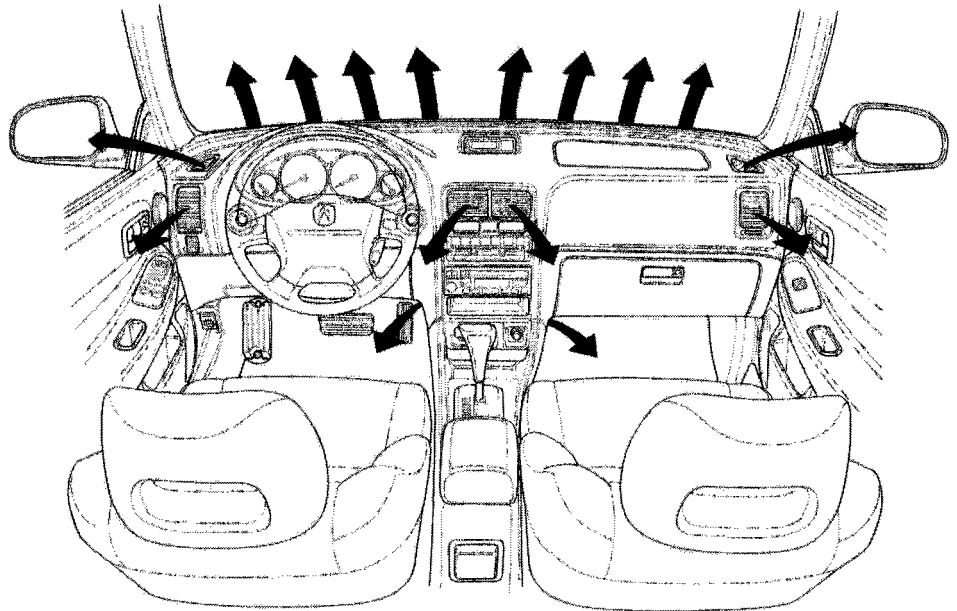
 Air flows from the center and corner vents in the dashboard.

 Air flow is divided between the vents in the dashboard and the floor vents.

 Air flows from the floor vents.

 Air flow is divided between the floor vents and the defroster vents at the base of the windshield.

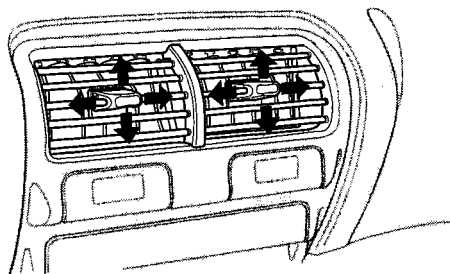
 Air flows from the defroster vents at the base of the windshield.



# Heating and Cooling

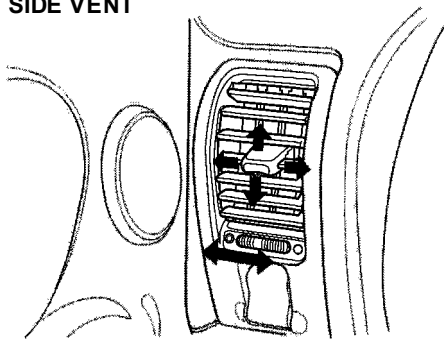
## Vent Controls

### CENTER VENT



You can adjust the direction of the air coming from the dashboard vents by moving the tab in the center of each vent up-and-down and side-to-side.

### SIDE VENT



The vents in the corners of the dashboard can be opened and closed with the dials underneath them.

## How to Use the System

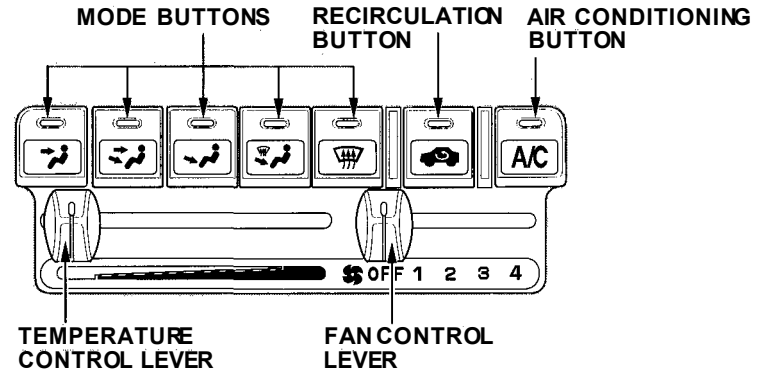
This section covers how to set up the system controls for ventilation, heating, cooling, dehumidifying, and defrosting.

The engine must be running for the heater and air conditioning to generate hot and cold air. The heater uses engine coolant to warm the air. If the engine is cold, it will be several minutes before you feel warm air coming from the system.

The air conditioning does not rely on engine temperature.


It is best to leave the system in Fresh Air mode under almost all conditions. Keeping the system in Recirculation mode, particularly with the A/C off, can cause the windows to fog up. Switch to Recirculation mode when you are driving through smoky or dusty conditions, then switch back to Fresh Air mode when the condition clears.

The outside air intakes for the heating and cooling system are at the base of the windshield. Keep these clear of leaves and other debris.



### ***Ventilation***


The flow-through ventilation system draws in outside air, circulates it through the interior, then exhausts it through vents near the hatch.

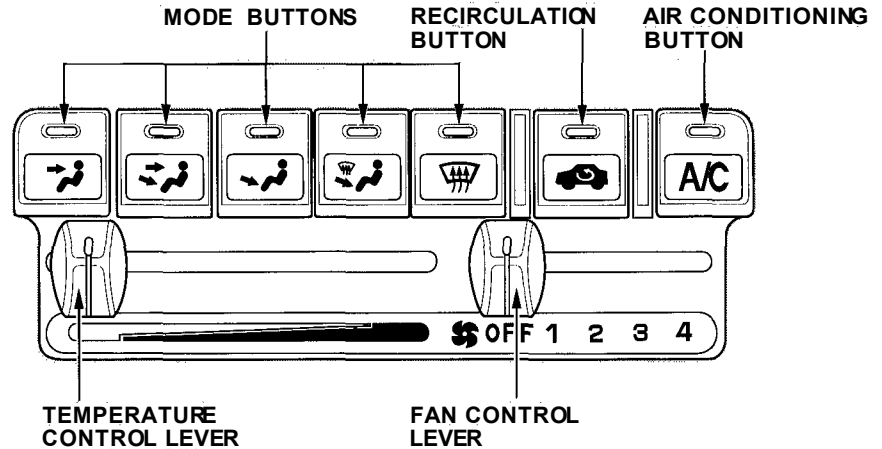
1. Slide the temperature control lever all the way to the left.  
Make sure the A/C is off.
2. Select  and Fresh Air mode.
3. Set the fan to the desired speed.

CONTINUED


## Heating and Cooling

### To Cool with A/C

1. Turn on the A/C by pressing the button. The light in the button should come on when a fan speed is selected.
2. Make sure the temperature control lever is set to maximum cool.
3. Select .
4. If the outside air is humid, select Recirculation mode. If the outside air is dry, select Fresh Air mode.
5. Set the fan to the desired speed.



If the interior is very warm from being parked in the sun, you can cool it down more rapidly by setting up the controls this way:


1. Start the engine.
2. Turn on the A/C by pressing the button. Make sure the temperature control lever is all the way to the left.
3. Set the fan to maximum speed.
4. Open the windows partially. Select  and Fresh Air mode.

When the interior has cooled down to a more comfortable temperature, close the windows and set the controls as described for normal cooling.

Air conditioning places an extra load on the engine. Watch the engine coolant temperature gauge (see page 59) when driving in stop-and-go traffic or climbing a long, steep hill. If it moves near the red zone, turn off the A/C until the gauge reads normally.

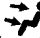
### **To Heat**

To warm the interior:

1. Start the engine.
2. Select  and Fresh Air mode.
3. Set the fan to the desired speed.
4. Adjust the warmth of the air with the temperature control lever.

### **To Heat and Dehumidify with Air Conditioning**

Air conditioning, as it cools, removes moisture from the air. When used in combination with the heater, it makes the interior warm and dry.

1. Switch the fan on.
2. Turn on the air conditioning.
3. Select  and Fresh Air mode.
4. Adjust the temperature control lever so the mixture of heated and cooled air feels comfortable.


This setting is suitable for all driving conditions whenever the outside temperature is above 32°F (0°C).

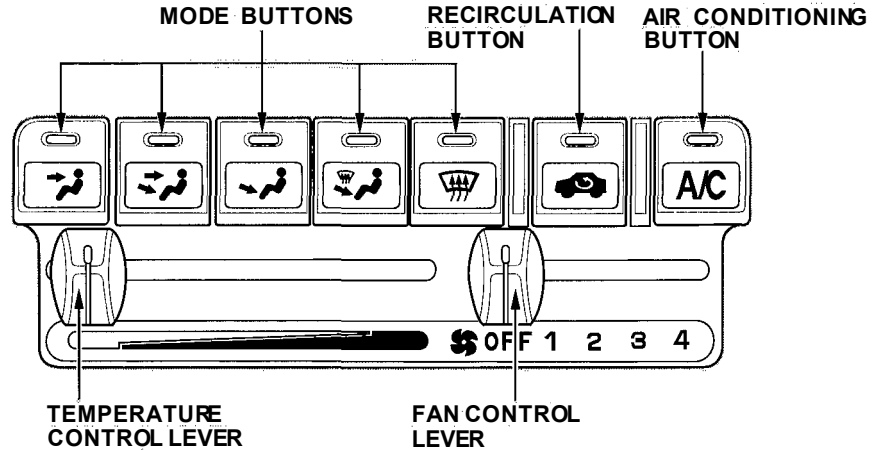
CONTINUED

# Heating and Cooling


## *To Defog and Defrost*

To remove fog from the inside of the windows:

1. Switch the fan on.
2. Turn on the air conditioning
3. Select Fresh Air mode and 
4. Adjust the temperature control lever so the air flow from the defroster vents feels warm.
5. Turn on the rear window defogger to help clear the rear window.



To remove exterior frost or ice from the windshield and side windows after the car has been sitting out in cold weather:

1. Start the engine.
2. Select the Fresh Air mode and .
3. Switch the fan and temperature controls to maximum.

To rapidly remove exterior frost or ice from the windshield (on very cold days), first select the Recirculation mode. Once the windshield is clear, select the Fresh Air mode to avoid fogging the windows.

These settings direct all the air flow to the defroster vents at the base of the windshield and the side window defroster vents. The air flow will get warmer and clear the windows faster as the engine warms up. You can close the side vents with the dial underneath each vent. This will send more warm air to the windshield defroster vents.

For safety, make sure you have a clear view through all the windows before driving away.

### **To Turn Everything Off**

To shut off the system temporarily, slide the fan speed and temperature control levers all the way to the left.

You should shut the system completely off only for the first few minutes of driving in cold weather, until the engine coolant warms up enough to operate the heater. Keep the fan on at all other times so stale air does not build up in the interior.

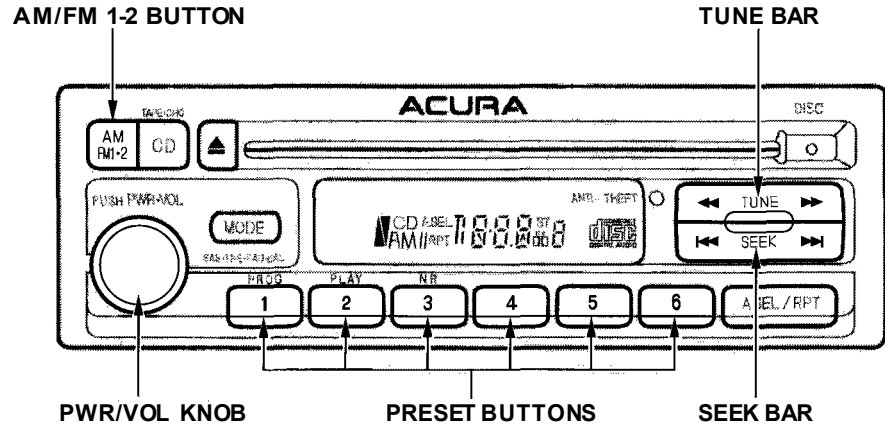


# Audio System

## AM/FM/CD Audio System

Your Acura's audio system provides clear reception on both AM and FM bands, while the preset buttons allow you to easily select your favorite stations.

The anti-theft feature will disable the system if it is disconnected from the vehicle's battery. To get the system working again, you must enter a code number (see page 119).



### Operating the Radio

The ignition switch must be in ACCESSORY (I) or ON (II) to operate the audio system. Turn the system on by pushing the PWR/VOL knob. Adjust the volume by turning the same knob.

The antenna extends automatically. The system turns off and the antenna retracts when you turn the ignition switch to LOCK (0).

The band and frequency that the radio was last tuned to is displayed. To change bands, press the AM/FM 1-2 button. On the FM band, ST will be displayed if the station is broadcasting in stereo. Stereo reproduction on AM is not available.

You can use any of three methods to find radio stations on the selected band: TUNE, SEEK, or the Preset buttons.

**TUNE** — Use the TUNE bar to tune the radio to a desired frequency. Press the ►► side of the bar to tune to a higher frequency, and the ◀◀ side to tune to a lower frequency. The frequency numbers will start to change rapidly. Release the bar when the display reaches the desired frequency. To change the frequency in small increments, press and release the TUNE bar quickly.

**SEEK** — The SEEK function searches the band for a station with a strong signal. To activate it, press the SEEK bar on either the ◀◀ or ►► side, then release it.

Depending on which side you press, the system scans upward or downward from the current frequency. It stops when it finds a station with a strong signal.

**Preset** — You can store the frequencies of your favorite radio stations in the six preset buttons. Each button will store one frequency on the AM band, and two frequencies on the FM band.

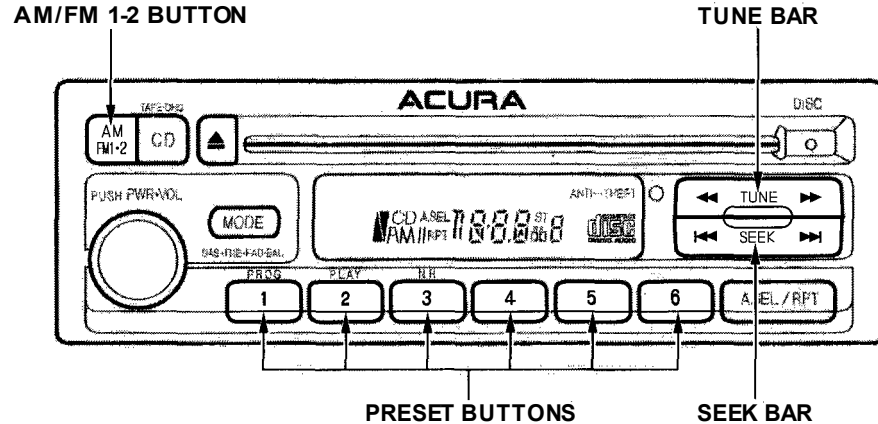
CONTINUED

## Audio System

To store a frequency:

1. Select the desired band, AM or FM. FM1 and FM2 let you store two frequencies with each Preset button.
2. Use the TUNE or SEEK function to tune the radio to a desired station.
3. Pick the Preset button you want for that station. Press the button and hold it until you hear a beep.
4. Repeat steps 1 to 3 to store a total of six stations on AM and twelve on FM.

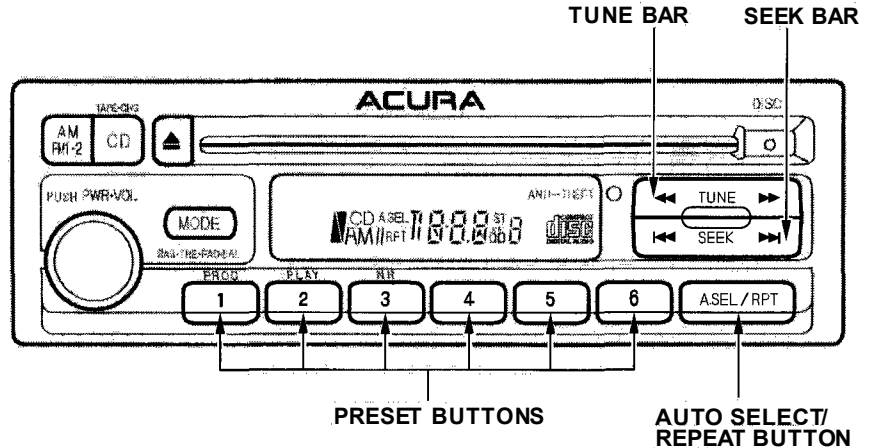
Once a station's frequency is stored, simply press and release the proper Preset button to tune to it. The preset frequencies will be lost if your car's battery goes dead, is disconnected, or the radio fuse is removed.



**AUTO SELECT** — If you are traveling far from home and can no longer receive the stations you preset, you can use the Auto Select feature to find stations in the local area.

To activate Auto Select, press the A. SEL/RPT button. A. SEL will flash in the display, and the system will go into scan mode for several seconds. It automatically scans both bands, looking for stations with strong signals. It stores the frequencies of six AM stations and twelve FM stations in the preset buttons. You can then use the preset buttons to select those stations.

If you are in a remote area, Auto Select may not find six strong AM stations or twelve strong FM stations. If this happens, you will see a "0" displayed when you press any preset button that does not have a station stored.



With Auto Select on, you cannot manually store any frequencies in the preset buttons. If you do not like the stations found by Auto Select, you can use the TUNE and SEEK functions to find other stations.

Auto Select does not erase the frequencies that you preset previously. When you return home, turn off Auto Select by pressing the A. SEL/RPT button. The preset buttons will then select the frequencies you originally set.

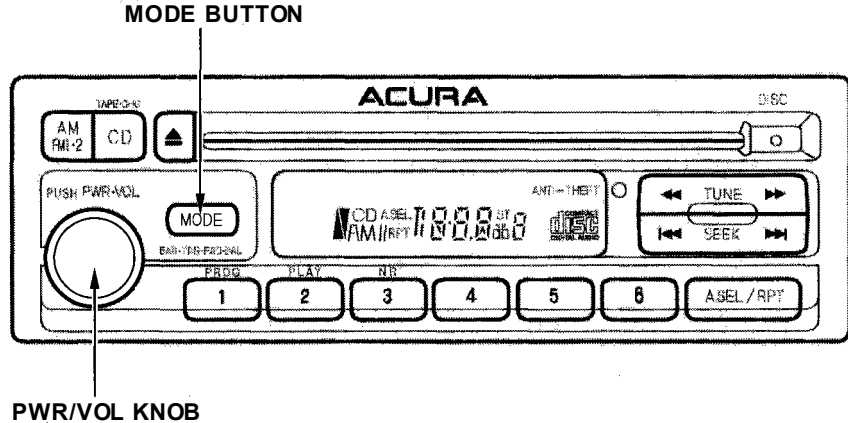
## Audio System

### Adjusting the Sound

Bass, Treble, Balance, and Fader are each adjustable. You select which of these you want to adjust by pressing the MODE button several times. The selected mode, BAS, TRE, FAD, or BAL is shown in the display.

**Balance/Fader** — These two modes adjust the strength of the sound coming from each speaker. BAL adjusts the side-to-side strength, while FAD adjusts the front-to-back strength.

Select BAL or FAD by pressing the MODE button. Adjust the Balance or Fader to your liking by turning the PWR/VOL knob. The number in the display (from — 9 to 9) shows you the current setting.



**Treble/Bass** — Use these modes to adjust the tone to your liking. Select TRE or BAS by pressing the MODE button. Adjust the desired mode by turning the PWR/VOL knob. The displayed number (from — 5 to 5) shows you the current setting.

The system will automatically return the display to normal mode about seven seconds after you stop adjusting a mode with the PWR/VOL knob. You can also continue pressing the MODE button until the frequency is displayed.

## Radio Frequencies

Your Acura's radio can receive the complete AM and FM bands. Those bands cover these frequencies:

AM band:

530 to 1,710 kilohertz

FM band:

87.7 to 107.9 megahertz

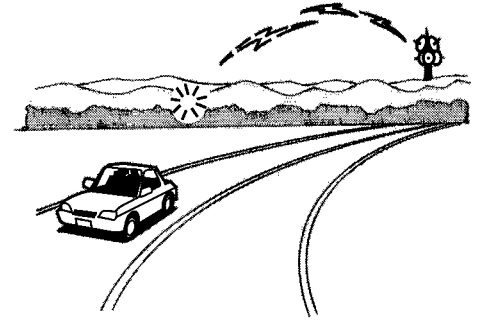
Radio stations on the AM band are assigned frequencies at least ten kilohertz apart (530, 540, 550). Stations on the FM band are assigned frequencies at least 0.2 megahertz apart (87.9, 88.1, 88.3).

Stations must use these exact frequencies. It is fairly common for stations to round-off the frequency in their advertising, so your radio could display a frequency of 100.9 even though the announcer may identify the station as "FM101."

## Radio Reception

How well your Acura's radio receives stations is dependent on many factors, such as the distance from the station's transmitter, nearby large objects, and atmospheric conditions.

A radio station's signal gets weaker as you get farther away from its transmitter. If you are listening to an AM station, you will notice the sound volume becoming weaker, and the station drifting in and out. If you are listening to an FM station, you will see the stereo indicator flickering off and on as the signal weakens. Eventually, the stereo indicator will go off and the sound will fade completely as you get out of range of the station's signal.

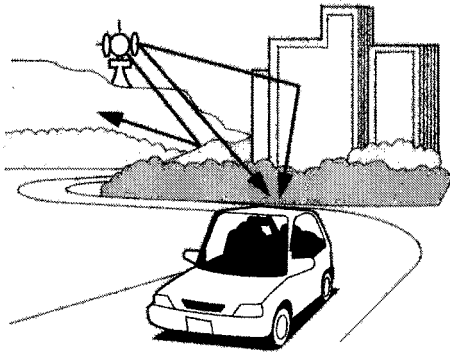


Driving very near the transmitter of a station that is broadcasting on a frequency close to the frequency of the station you are listening to can also affect your radio's reception. You may temporarily hear both stations, or hear only the station you are close to.

*CONTINUED*

## Audio System

---



Radio signals, especially on the FM band, are deflected by large objects such as buildings and hills. Your radio then receives both the direct signal from the station's transmitter, and the deflected signal. This causes the sound to distort or flutter. This is a main cause of poor radio reception in city driving.



Radio reception can be affected by atmospheric conditions such as thunderstorms, high humidity, and even sunspots. You may be able to receive a distant radio station one day and not receive it the next day because of a change in conditions.

Electrical interference from passing vehicles and stationary sources can cause temporary reception problems.

*As required by the FCC:  
Changes or modifications not expressly approved by the party responsible for compliance could void the user's authority to operate the equipment.*

## Operating the CD Player

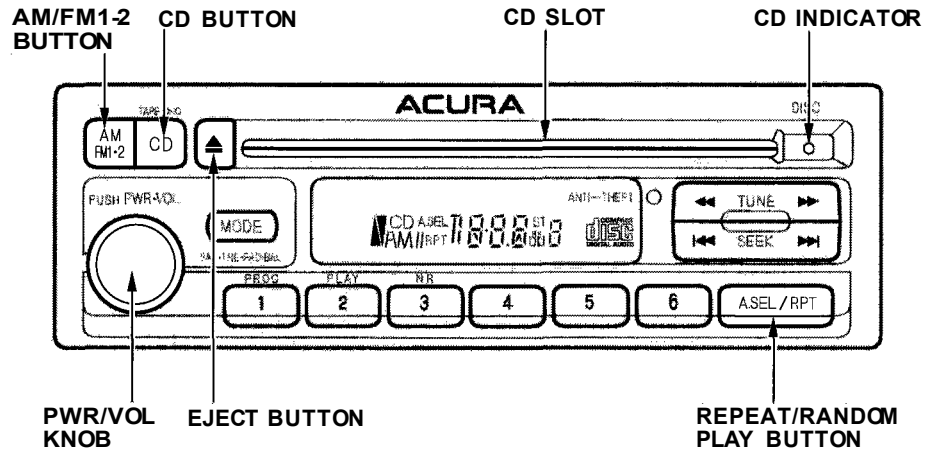
You operate the CD player with the same controls used for the radio.

With the system on, insert the disc into the CD slot. Push the disc in halfway, the drive will pull it in the rest of the way and begin to play. The number of the track that is playing is shown in the display.

You can also play 3-inch (8-cm) discs without using an adapter ring. In all cases, play only standard round discs. Odd-shaped CDs may jam in the drive or cause other problems.

Do not play discs with disc accessories such as protective seals or rubbers. Using them may also cause the audio system to malfunction.

When the system reaches the end of the disc, it will return to the beginning and play that disc again.



CONTINUED



## Audio System

---

You can switch to the radio while a CD is playing by pressing the A M/ FM1.2 button. Press the CD button to return to playing the CD. The CD will begin playing where it left off.

If you turn the system off while a CD is playing, either with the PWR/VOL knob or by turning off the ignition, the disc will stay in the drive. When you turn the system back on, the CD will begin playing where it left off.

Press the eject button to remove the disc from the drive.

If you eject the disc, but do not remove it from the slot, the system will automatically reload the disc after 15 seconds and put the CD player in pause mode. To begin playing the disc, press the CD button.

You can use the TUNE and SEEK bars while a disc is playing to select passages and change tracks.

To move rapidly within a track, press and hold the TUNE bar. Press the **▶▶** side to move forward, or the **◀◀** side to move backward. Release the bar when the system reaches the point you want.

Each time you press the **▶▶** side of the SEEK bar, the system skips forward to the beginning of the next track. Press the **◀◀** side to skip backward to the beginning of the current track. Press it again to skip to the beginning of the previous track.

**REPEAT** — To activate the Repeat feature, press and release the Repeat button. You will see RPT in the display. The system continuously replays the current track. Press the Repeat button again to turn it off.

**RANDOM PLAY** — This feature, when activated, plays the tracks on the CD in random order, rather than in the order they are recorded on the CD. To activate Random Play, press and hold the A. SEL/RPT button until you see A. SEL in the display. The system will then select and play tracks randomly. This continues until you deactivate Random Play by pressing A. SEL/RPT again.

If the system is in Repeat mode, you must turn it off by pressing A. SEL/RPT before you can select Random Play. Then press and hold the button again until you see A. SEL displayed.

### Operating the CD Changer (Optional)

A Compact Disc changer is available for your car. It holds up to six discs, providing several hours of continuous entertainment. You operate this CD changer with the same controls used for the in-dash CD player.

Load the desired CDs in the magazine and load the magazine in the changer according to the instructions that came with the unit. Play only standard round discs. Odd-shaped CDs may jam in the drive or cause other problems.

To select the CD changer, press the CD button. The disc and track numbers will be displayed. A "0" will flash for the track number as the CD is loaded, then it will change to a non-flashing "1".

To select a different disc, press the appropriate preset button (1 — 6). If you select an empty slot in the magazine, the changer will, after finding that slot empty, try to load the CD in the next slot. This continues until it finds a CD to load and play.

If you load a CD in the in-dash player while the changer is playing a CD, the system will stop the changer and begin playing the in-dash CD. To select the changer again, press the CD button. Play will begin where it left off. Use the CD button to switch between the player and the changer.

If you eject the in-dash CD while it is playing, the system will automatically switch to the CD changer and begin play where it left off. If there are no CDs in the changer, the display will flash. You will have to select another mode (AM or FM) with the button.

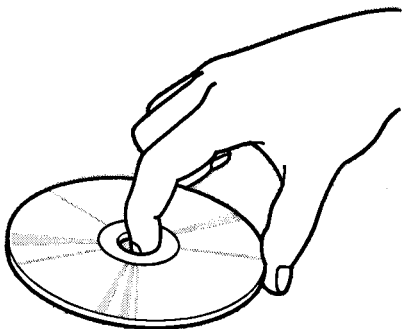
When you switch back to CD mode, the system selects the same unit (in-dash or changer) that was playing when you switched out of CD mode.

To use the SKIP, REPEAT, and RANDOM functions, refer to the in-dash player operating instructions.

## Audio System

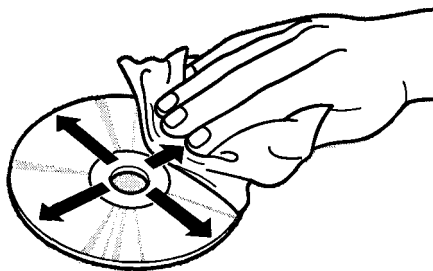
---

### Protecting Compact Discs

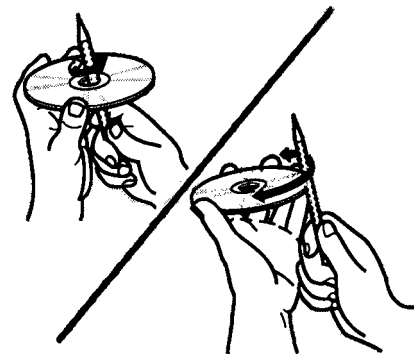


Handle a CD by its edges; never touch either surface. Contamination from fingerprints, liquids, felt-tip pens, and labels can cause the CD to not play properly, or possibly jam in the drive.

When a CD is not being played, store it in its case to protect it from dust and other contamination. To prevent warpage, keep CDs out of direct sunlight and extreme heat.



To clean a disc, use a clean soft cloth. Wipe across the disc from the center to the outside edge.



A new CD may be rough on the inner and outer edges. The small plastic pieces causing this roughness can flake off and fall on the recording surface of the disc, causing skipping or other problems. Remove these pieces by rubbing the inner and outer edges with the side of a pencil or pen.

Never try to insert foreign objects in the CD player or the magazine.

**CD Player Error Indications**

If you see an error indication in the display while operating the CD player, find the cause in the chart to the right. If you cannot clear the error indication, take the car to your Acura dealer.

| Indication | Cause                                              | Solution                                                                                                                                                                                                                                                                     |
|------------|----------------------------------------------------|------------------------------------------------------------------------------------------------------------------------------------------------------------------------------------------------------------------------------------------------------------------------------|
| CDPE0      | FOCUS/CLV Error<br>Data Read Error<br>Search Error | Press the EJECT button and pull out the disc.<br>Check if the disc is inserted correctly in the CD player.<br>Make sure the disc is not scratched or damaged.                                                                                                                |
| CDPE1      | Mechanical Error                                   | Press the EJECT button and pull out the disc.<br>Check the disc for damage or deformation.<br>If the CD cannot be pulled out or the error indication does not disappear after the disc is ejected, see your Acura dealer.<br>Do not try to force the disc out of the player. |
| CDPE2      | Control Error<br>LSI Error                         | Consult your Acura dealer.                                                                                                                                                                                                                                                   |

## Audio System

### CD Changer Error Indications


If you see an error indication in the display while operating the CD changer, find the cause in the chart to the right. If you cannot clear the error indication, take the car to your Acura dealer.

| Indication                                | Cause                                         | Solution                                                                                                                                                                           |
|-------------------------------------------|-----------------------------------------------|------------------------------------------------------------------------------------------------------------------------------------------------------------------------------------|
| <i>E-D1</i>                               | Disc-changer malfunction.                     | Consult your Acura dealer.                                                                                                                                                         |
| <i>E-D2</i>                               | Disc is in changer mechanism.                 | Press the magazine eject button, and insert an empty magazine.                                                                                                                     |
| <i>E-D3</i><br><i>E-D4</i><br><i>E-D5</i> | Disc-changer malfunction.                     | If the code disappears within a few seconds, unit is OK. If it does not, consult your Acura dealer.                                                                                |
| <i>E-D6</i>                               | Disc-changer malfunction.                     | Press the magazine eject button and pull out the magazine, check for error indication. Insert the magazine again. If the magazine cannot be pulled out, consult your Acura dealer. |
| <i>E-D7</i>                               | CD magazine ejection impossible.              | Press the magazine eject button. If the magazine does not eject, consult your Acura dealer.                                                                                        |
| <i>---H</i>                               | High temperature.                             | Will disappear when the temperature returns to normal.                                                                                                                             |
| <i>E-EE</i>                               | Misconnection or disconnection of CD changer. | See your Acura dealer.                                                                                                                                                             |
| <i>----</i>                               | No CD magazine in the CD changer.             | Insert CD magazine.                                                                                                                                                                |
| <i>0-00</i>                               | No CD in magazine.                            | Insert a CD in the magazine.                                                                                                                                                       |

## Operating the Cassette Player (Optional)

The cassette system features Dolby B\* noise reduction, automatic sensing of chromium-dioxide (CrO<sub>2</sub>) tape, and autoreverse for continuous play.

Make sure the tape opening on the cassette is facing to the right, then insert the cassette most of the way into the slot. The system will pull it in the rest of the way, and begin to play.

\* Dolby noise reduction manufactured under license from Dolby Laboratories Licensing Corporation. "DOLBY" and the double-D symbol  are trademarks of Dolby Laboratories Licensing Corporation.

The tape direction indicator will light to show you which side of the cassette is playing. The ▲ indicates the side you inserted facing upward is now playing. If you want to play the other side, press the PROG button.

Dolby B noise reduction turns on when you insert a cassette. If the tape was not recorded with Dolby B noise reduction, turn it off by pressing the NR button.

When the system reaches the end of the tape, it will automatically reverse direction and play the other side. If you want to remove the cassette from the drive, press the EJECT button on the cassette player.

If you turn the system off while a tape is playing, either with the PWR/VOL knob or by turning off the ignition, the cassette will remain in the drive. When you turn the system back on, the tape will begin playing where it left off.

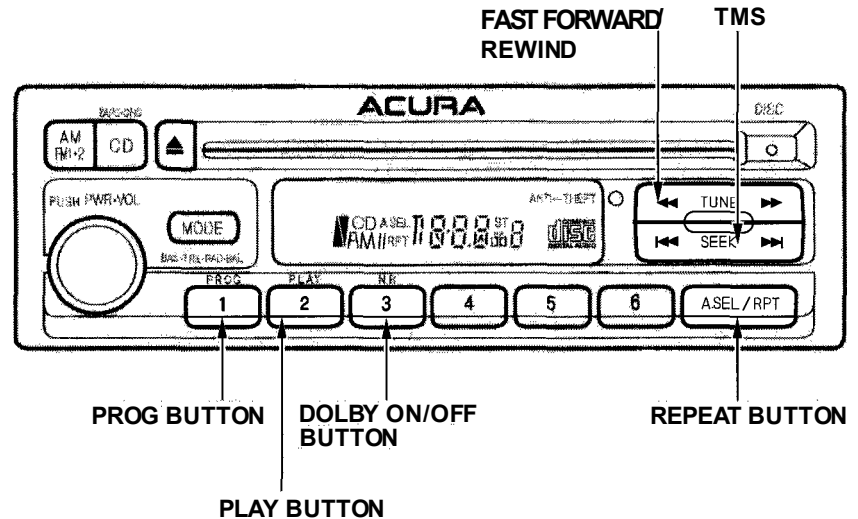
To switch to the radio or CD player while a tape is playing, press the AM/FM1-2 or CD button. To change back to the cassette player, push the CD button.

# Audio System

## Tape Search Functions

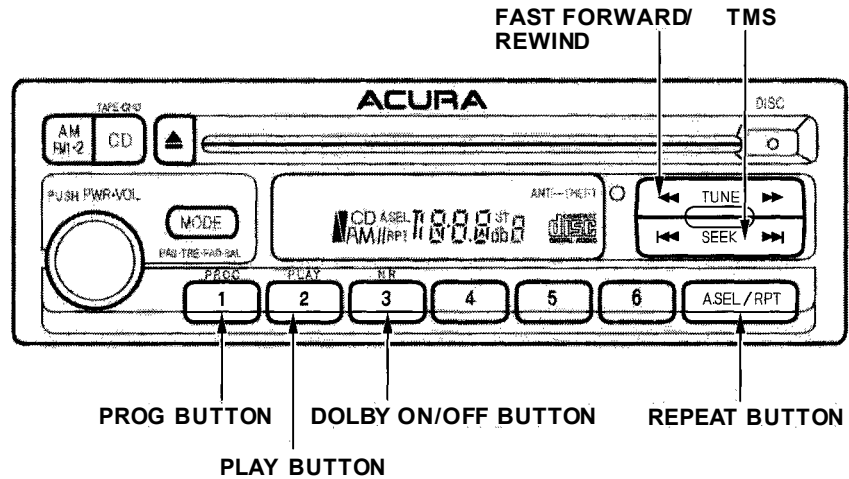
With a cassette playing, you can use the FF, REW, TMS, or REPEAT function to find a desired program.

**FF/REW** — Fast Forward and Rewind move the tape rapidly. Press and release the ►► side of the TUNE bar to fast forward the tape, or the ◀◀ side to rewind. You will see FF or REW flashing in the display. To stop fast forward or rewind, press the PLAY button. If the system reaches the end of the tape while in fast forward or rewind, it automatically stops that function, reverses direction, and begins to play.



**TMS** — The Tape Music Search function allows you to find the beginning of a song or passage. To activate TMS, press the SEEK bar. Press the ►► side to advance to the beginning of the next song or passage, or the ◀◀ side to return to the beginning of the current song or passage. FF or REW will flash in the display as the tape moves. When the system reaches the beginning of the next song or passage (FF), or the beginning of the current one (REW), it goes back to PLAY mode.

**REPEAT** — The Repeat function continuously replays the current song or passage. Press the REPEAT button to activate it; you will see RPT displayed as a reminder. When the system reaches the end of the song or passage currently playing, it will automatically go into rewind. When it senses the beginning of the same song or passage, the system returns to PLAY mode. It will



continue to repeat this same program until you deactivate REPEAT by pressing the button again.

The TMS and REPEAT functions use silent periods on the tape to find the end of a song or passage. These features may not work to your satisfaction if there is almost no gap between selections, a high noise level between selections, or a silent period in the middle of a selection.



## Audio System

---

### Caring for the Cassette Player

The cassette player picks up dirt and oxides from the tape. This contamination builds up over time and causes the sound quality to degrade. To prevent this, you should clean the player after every 30 hours of use. Your dealer has a cleaning kit available.

If you do not clean the cassette player regularly, it may eventually become impossible to remove the contamination with a normal cleaning kit.

The player automatically ejects cassettes that do not play properly. If it ejects a cassette before it begins to play, it is probably defective and should not be inserted again. You may have a cassette suddenly stop playing, reverse directions once or twice and then eject. This is normally an indication the tape is wound unevenly. It should play after the

tape is manually rewound.

Use 100-minute or shorter cassettes. Cassettes longer than that use thinner tape that may break or jam the drive.

Look at the cassette before you insert it. If the tape is loose, tighten it by turning a hub with a pencil or your finger.

If the label is peeling off, remove it from the cassette or it could cause the cassette to jam in the player. Never try to insert a warped or damaged cassette in the player. When they are not in use, store cassettes in their cases to protect them from dust and moisture. Never place cassettes where they will be exposed to direct sunlight, high heat, or high humidity. If a cassette is exposed to extreme heat or cold, let it reach a moderate temperature before inserting it in the player.

Never try to insert foreign objects into the cassette player.

### Theft Protection

Your car's audio system will disable itself if it is disconnected from electrical power for any reason. To make it work again, the user must enter a specific five-digit code in the Preset buttons. Because there are hundreds of number combinations possible from five digits, making the system work without knowing the exact code is nearly impossible.

You should have received a card that lists your audio system's code number and serial number. It is best to store this card in a safe place at home. In addition, you should write the audio system's serial number in this Owner's Manual. If you should happen to lose the card, you must obtain the code number from your Acura dealer. To do this, you will need the system's serial number.

If your car's battery is disconnected or goes dead, or the radio fuse is removed, the audio system will disable itself. If this happens, you will see "Code" in the frequency display the next time you turn on the system. Use the Preset buttons to enter the five-digit code. If it is entered correctly, the radio will start playing.

If you make a mistake entering the code, do not start over or try to correct your mistake. Complete the five-digit sequence, then enter the correct code. You have three tries to enter the correct code. If you are unsuccessful in three attempts, you must then leave the system on for one hour before trying again.

You will have to store your favorite stations in the Preset buttons after the system begins working. Your original settings were lost when power was disconnected.



Before you begin driving your Acura, you should know what gasoline to use, and how to check the levels of important fluids. You also need to know how to properly store luggage or packages. The information in this section will help you. If you plan to add any accessories to your car, please read the information in this section first.

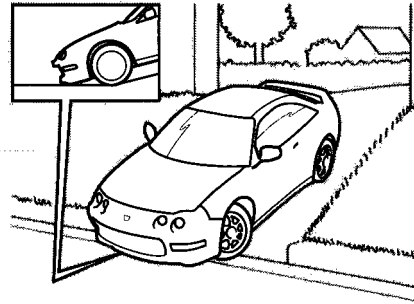
|                                   |     |
|-----------------------------------|-----|
| General Precautions.....          | 122 |
| Break-in Period.....              | 123 |
| Gasoline.....                     | 123 |
| Service Station Procedures.....   | 124 |
| Filling the Fuel Tank.....        | 124 |
| Opening the Hood.....             | 125 |
| Oil Check.....                    | 127 |
| Engine Coolant Check.....         | 128 |
| Fuel Economy.....                 | 129 |
| Vehicle Condition.....            | 129 |
| Driving Habits.....               | 129 |
| Accessories and Modifications.... | 130 |
| Carrying Cargo.....               | 132 |

## General Precautions

---

### *Type-R model*

Your Acura is designed to give you optimum handling and performance on well-maintained roads. As part of this design, your car has a minimum of ground clearance.



- Use caution if you should drive your car on very rough or rutted roads. You could damage the suspension and underbody by bottoming out. Going too fast over parking lot "speed bumps" can also cause damage.

- Curbs and steep inclines could damage the front and rear bumpers. Low curbs that do not affect the average car may be high enough to hit the bumper on your Acura. The front or rear bumper may scrape when trying to drive onto an incline, such as a steep driveway or trailer ramps.

### Break-in Period

Help assure your car's future reliability and performance by paying extra attention to how you drive during the first 600 miles (1,000 km). During this period:

- Avoid full-throttle starts and rapid acceleration.
- Avoid hard braking. New brakes need to be broken-in by moderate use for the first 200 miles (300 km).
- Do not change the oil until the recommended time or mileage interval shown in the maintenance schedule.

You should follow these same recommendations with an overhauled or exchanged engine, or when the brakes are relined.

### Gasoline

Your Acura is designed to operate on unleaded gasoline.

We recommend gasolines containing detergent additives that help prevent fuel system and engine deposits.

Using gasoline containing lead will damage your car's emissions controls. This contributes to air pollution.

In Canada, some gasolines contain an octane-enhancing additive called MMT. If you use such gasolines, your emissions control system performance may deteriorate and the Malfunction Indicator Lamp on your instrument panel may turn on. If this happens, contact your authorized Acura dealer for service.

*(SE, LS and GS models)*

Use an unleaded gasoline with a pump octane number of 86 or higher. Use of a lower octane gasoline can cause a persistent, heavy metallic rapping noise in the engine that can lead to mechanical damage.

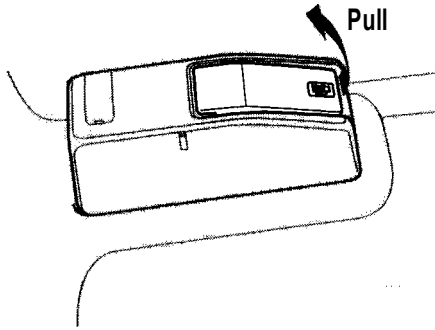
*(GS-R and Type-R models)*

Use a premium unleaded gasoline with a pump octane number of 91 or higher.

If you are unable to find premium unleaded gasoline, you may substitute an unleaded regular gasoline. The engine will compensate for the lower octane, but you may notice a slight decrease in power as a result.

## Service Station Procedures

### Filling the Fuel Tank

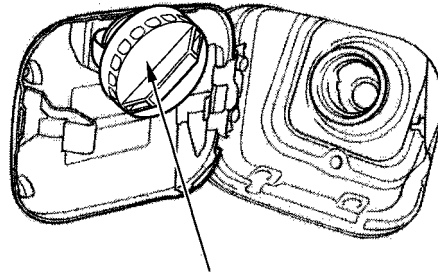


1. Because the fuel fill cap is on the driver's side of the car, park with that side closest to the service station pumps.
2. Open the fuel fill door by pulling on the handle to the left of the driver's seat.

### **WARNING**

Gasoline is highly flammable and explosive. You can be burned or seriously injured when handling fuel.

Stop the engine and keep heat, sparks, and flame away. Handle fuel only outdoors. Wipe up spills immediately.



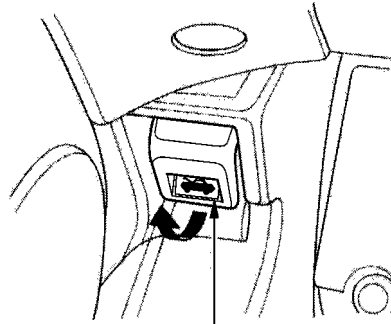
FUEL FILL CAP

3. Remove the fuel fill cap slowly. You may hear a hissing sound as pressure inside the tank escapes. Place the cap in the holder on the fuel fill door.
4. Stop filling the tank after the fuel nozzle automatically clicks off. Do not try to "top off" the tank, leave some room for the fuel to expand with temperature changes.

Your car has an on-board refueling vapor recovery system to help keep fuel vapors from going into the atmosphere. If the fuel pump keeps clicking off even though the tank is not full, there may be a problem with this system. Consult your dealer.

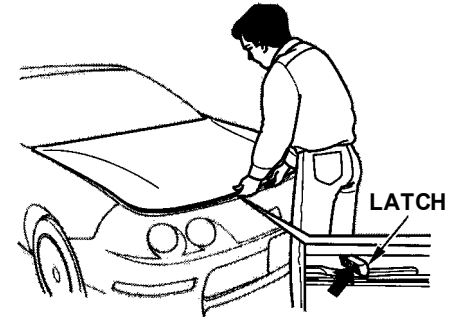
5. Screw the fuel fill cap back on, tighten it until it clicks several times. If you do not properly tighten the cap, the Malfunction Indicator Lamp may come on (see page 240).
6. Push the fuel fill door closed until it latches.

### Opening the Hood



**HOOD RELEASE HANDLE**

1. Shift to Park or Neutral and set the parking brake. Pull the hood release handle located under the lower left corner of the dashboard. The hood will pop up slightly.



2. Standing in front of the car, put your fingers under the front edge of the hood to the left of center. Slide your hand to the right until you feel the hood latch handle. Push this handle to the right until it releases the hood. Lift the hood.

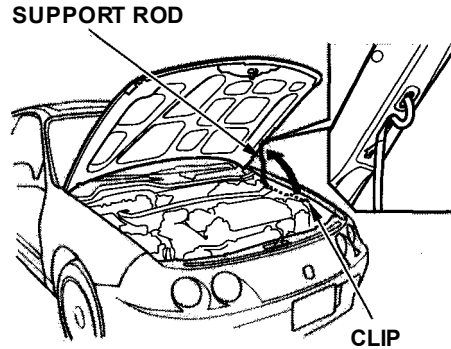
*CONTINUED*



## Service Station Procedures

---

If you can open the hood without lifting the hood latch handle, or the hood latch handle moves stiffly or does not spring back as before, the mechanism should be cleaned and lubricated (see page 189).

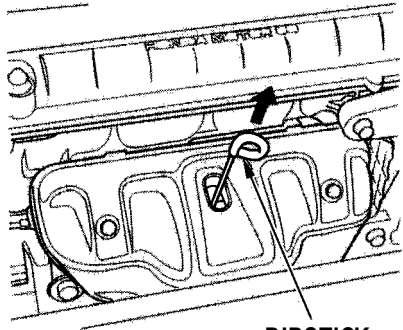


3. Pull the support rod out of its clip and insert the end into the hole on the left side of the hood.

To close the hood, lift it up slightly to remove the support rod from the hole. Put the support rod back into its holding clip. Lower the hood to about a foot (30 cm) above the fender, then let it drop.

After closing the hood, make sure it is securely latched.

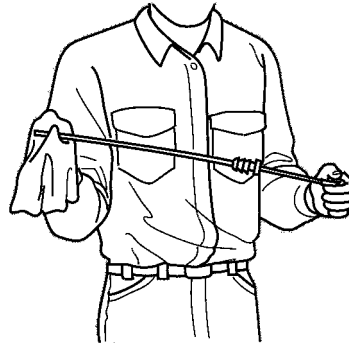
### Oil Check



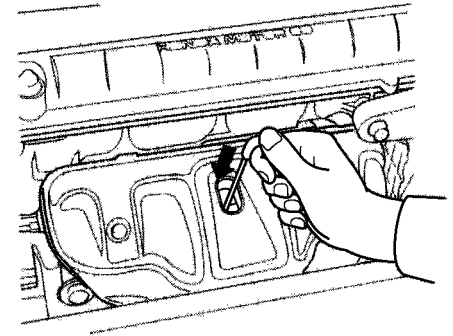
**DIPSTICK**

Check the engine oil level every time you fill the car with fuel. Wait a few minutes after turning the engine off before you check the oil.

1. Remove the dipstick (orange handle).



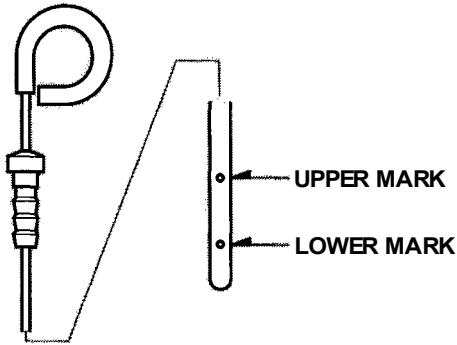
2. Wipe the dipstick with a clean cloth or paper towel.



3. Insert it all the way back in its tube.

*CONTINUED*

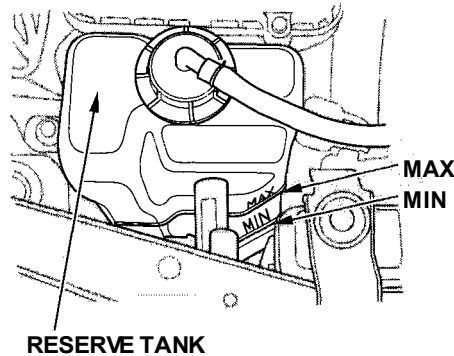
## Service Station Procedures



4. Remove the dipstick again and check the level. It should be between the upper and lower marks.

If it is near or below the lower mark, see **Adding Oil** on page [173](#).

### Engine Coolant Check



Look at the coolant level in the radiator reserve tank. Make sure it is between the MAX and MIN lines. If it is below the MIN line, see **Adding Engine Coolant** on page [178](#) for information on adding the proper coolant.

Refer to **Owner Maintenance Checks** on page [171](#) for information on checking other items in your Acura.

The condition of your car and your driving habits are the two most important things that affect the fuel mileage you get.

### Vehicle Condition

Always maintain your car according to the maintenance schedule. This will keep it in top operating condition.

An important part of that maintenance is the **Owner Maintenance Checks** (see page 171 ). For example, an under-inflated tire causes more "rolling resistance," which uses fuel. It also wears out faster, so check the tire pressure at least monthly.

In winter, the build-up of snow on your car's underside adds weight and rolling resistance. Frequent cleaning helps your fuel mileage and reduces the chance of corrosion.

### Driving Habits

You can improve fuel economy by driving moderately. Rapid acceleration, abrupt cornering, and hard braking use more fuel.

Always drive in the highest gear that allows the engine to run and accelerate smoothly.

Depending on traffic conditions, try to maintain a constant speed. Every time you slow down and speed up, your car uses extra fuel. Use the cruise control, when appropriate, to increase fuel economy.

A cold engine uses more fuel than a warm engine. It is not necessary to "warm-up" a cold engine by letting it idle for a long time. You can drive away in about a minute, no matter how cold it is outside. The engine will warm up faster, and you get better fuel economy. To cut down on the number of "cold starts," try to combine several short trips into one.

The air conditioning puts an extra load on the engine which makes it use more fuel. Turn off the A/C to cut down on air conditioning use. Use the flow-through ventilation when the outside air temperature is moderate.

## Accessories and Modifications

---

Modifying your car, or installing some non-Acura accessories, can make your car unsafe. Before you make any modifications or add any accessories, be sure to read the following information.

### Accessories

Your dealer has Genuine Acura accessories that allow you to personalize your car. These accessories have been designed and approved for your car, and are covered by warranty.

Non-Acura accessories are usually designed for universal applications. Although aftermarket accessories may fit on your car, they may not meet factory specifications, and could adversely affect your car's handling and stability. (See "Modifications" on the page [131](#) for additional information.)

### **WARNING**

Improper accessories or modifications can affect your car's handling, stability and performance, and cause a crash in which you can be hurt or killed.

Follow all instructions in this owner's manual regarding accessories and modifications.

When properly installed, cellular phones, alarms, two-way radios, and low-powered audio systems should not interfere with your car's computer-controlled systems, such as the SRS and anti-lock brake system.

However, if electronic accessories are improperly installed, or exceed your car's electrical system capacity, they can interfere with the operation

of your car, or even cause the airbags to deploy.

Before installing any accessory:

- Make sure the accessory does not obscure any lights, or interfere with proper car operation or performance.
- Be sure electronic accessories do not overload electrical circuits (see page [243](#)).
- Have the installer contact your Acura dealer for assistance before installing any electronic accessory.

If possible, have your dealer inspect the final installation.

### Modifications

Do not remove any original equipment or modify your car in any way that would alter its design or operation. This could make your car unsafe and illegal to drive.

For example, do not make any modifications that would change the ride height of your car, or install wheels and tires with a different overall diameter.

Such modifications can adversely affect handling, and interfere with the operation of the car's anti-lock brakes and other systems.

In addition, any modifications that decrease ground clearance increase the chance of undercarriage parts striking a curb, speed bump, or other raised object, which could cause your airbags to deploy.

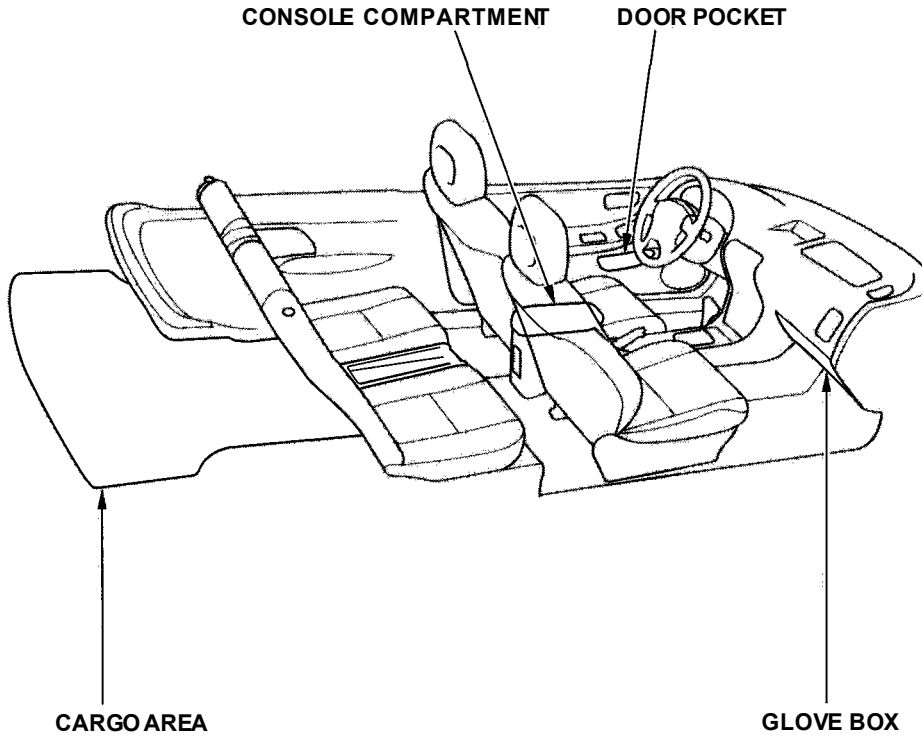
Do not modify your steering wheel or any other part of your Supplemental Restraint System. Modifications could make the system ineffective.

### Additional Safety Precaution

***Do not attach or place objects on the airbag covers.*** Any object attached to or placed on the covers marked "SRS AIRBAG," in the center of the steering wheel and on top of the dashboard, could interfere with the proper operation of the airbags. Or, if the airbags inflate, the objects could be propelled inside the car and hurt someone.

## Carrying Cargo

---



Your car has several convenient storage areas so you can stow cargo safely.

The glove box, and the pockets in the doors are designed for small, lightweight items. The cargo area is intended for larger, heavier items. In addition, the back seat can be folded down to allow you to carry more cargo or longer items.

However, carrying too much cargo, or improperly storing it, can affect your car's handling, stability and operation and make it unsafe. Before carrying any type of cargo, be sure to read the following pages.

### Load Limit

The maximum load for your car is 700 lbs (325 kg).

This figure includes the total weight of all occupants, cargo, accessories, and the tongue weight if you are towing a trailer.

To figure out how much cargo you can carry:

- Add up the weight of all occupants.
- If you are towing a trailer, add the tongue weight to the number above.
- Subtract the total from 700 lbs (325 kg).

The final number is the total weight of cargo you can carry.

### **WARNING**

Overloading or improper loading can affect handling and stability and cause a crash in which you can be hurt or killed.

Follow all load limits and other loading guidelines in this manual.

### Carrying Items in the Passenger Compartment

- Store or secure all items that could be thrown around and hurt someone during a crash.
- Be sure items placed on the floor behind the front seats cannot roll under the seats and interfere with the driver's ability to operate the pedals, or with the proper operation of the seats.
- Keep the glove box closed while driving. If the lid is open, a passenger could injure their knees during a crash or sudden stop.



## Carrying Cargo

---

### Carrying Cargo in the Cargo Area or on a Roof Rack

- Distribute cargo evenly on the floor of the cargo area, placing the heaviest items on the bottom and as far forward as possible.
  - If you fold down the back seat, tie down items that could be thrown about the car during a crash or sudden stop.
  - Do not place items on the cargo area cover, or stack objects higher than the top of the back seat. They could block your view and be thrown about the car during a crash or sudden stop.
- If you carry large items that prevent you from closing the hatch, exhaust gas can enter the passenger area. To avoid the possibility of carbon monoxide poisoning, follow the instructions on page [49](#) .
  - If you can carry any items on a roof rack, be sure the total weight of the rack and the items does not exceed the maximum allowable weight. Please contact your Acura dealer for further information.

This section gives you tips on starting the engine under various conditions, and how to operate the 5-speed manual and automatic transmissions. It also includes important information on parking your car, the braking system, and facts you need if you are planning to tow a trailer.

|                                                   |     |
|---------------------------------------------------|-----|
| Preparing to Drive.....                           | 136 |
| Starting the Engine.....                          | 137 |
| Starting in Cold Weather<br>at High Altitude..... | 137 |
| 5-speed Manual Transmission.....                  | 138 |
| Recommended Shift Points.....                     | 139 |
| Engine Speed Limiter.....                         | 139 |
| Automatic Transmission.....                       | 140 |
| Shift Lever Position Indicator..                  | 140 |
| Shift Lever Positions.....                        | 140 |
| Engine Speed Limiter.....                         | 142 |
| Shift Lock Release.....                           | 143 |
| Parking.....                                      | 144 |
| The Braking System.....                           | 145 |
| Brake Wear Indicators.....                        | 145 |
| Brake System Design.....                          | 146 |
| Anti-lock Brakes.....                             | 146 |
| Important Safety<br>Reminders.....                | 147 |
| ABS Indicator.....                                | 148 |
| Limited Slip Differential.....                    | 148 |
| Driving in Bad Weather.....                       | 149 |
| Towing a Trailer.....                             | 151 |

## Preparing to Drive

---

You should do the following checks and adjustments every day before you drive your car.

1. Make sure all windows, mirrors, and outside lights are clean and unobstructed. Remove frost, snow, or ice.
2. Check that the hood and hatch are fully closed.
3. Visually check the tires. If a tire looks low, use a gauge to check its pressure.
4. Check that any items you may be carrying with you inside are stored properly or fastened down securely.
5. Check the adjustment of the seat (see page [79](#) ).
6. Check the adjustment of the inside and outside mirrors (see page [86](#) ).
7. Check the adjustment of the steering wheel (see page [66](#) ).
8. Make sure the doors and hatch are securely closed and locked.
9. Fasten your seat belt. Check that your passengers have fastened their seat belts (see page [16](#) ).
10. Turn the ignition switch ON (II). Check the indicator lights in the instrument panel.
11. Start the engine (see page [137](#) ).
12. Check the gauges and indicator lights in the instrument panel (see page [53](#) ).

1. Apply the parking brake.
2. In cold weather, turn off all electrical accessories to reduce the drain on the battery.
3. *Manual Transmission:*  
Push the clutch pedal down all the way. START (III) does not function unless the clutch pedal is depressed.  
  
*Automatic Transmission:*  
Make sure the shift lever is in Park. Press on the brake pedal.
4. Without touching the accelerator pedal, turn the ignition key to the START (III) position. If the engine does not start right away, do not hold the key in START (III) for more than 15 seconds at a time. Pause for at least 10 seconds before trying again.

5. If the engine does not start within 15 seconds, or starts but stalls right away, repeat step 4 with the accelerator pedal pressed half-way down. If the engine starts, release pressure on the accelerator pedal so the engine does not race.
6. If the engine still does not start, press the accelerator pedal all the way down and hold it there while starting in order to clear flooding. As before, keep the ignition key in the START (III) position for no more than 15 seconds. Return to step 5 if the engine does not start. If it starts, lift your foot off the accelerator pedal so the engine does not race.

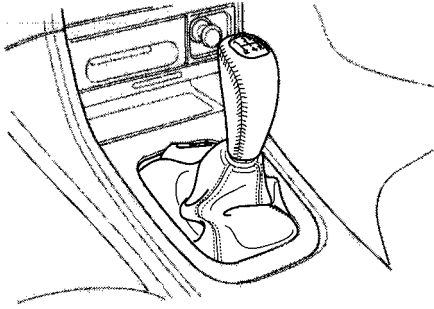
### **Starting in Cold Weather at High Altitude (Above 8,000 feet/ 2,400 meters)**

An engine is harder to start in cold weather. The thinner air found at high altitude above 8,000 feet (2,400

meters) adds to the problem. Use the following procedure:

1. Turn off all electrical accessories to reduce the drain on the battery.
2. Push the accelerator pedal half-way to the floor and hold it there while starting the engine. Do not hold the ignition key in START (III) for more than 15 seconds. When the engine starts, release the accelerator pedal gradually as the engine speeds up and smooths out.
3. If the engine fails to start in step 2, push the accelerator pedal to the floor and hold it there while you try to start the engine for no more than 15 seconds. If the engine does not start, return to step 2.

## 5-speed Manual Transmission



The manual transmission is synchronized in all forward gears for smooth operation. It has a lockout so you cannot shift directly from Fifth to Reverse. When shifting up or down, make sure you push the clutch pedal down all the way, shift to the next gear, and let the pedal up gradually. When you are not shifting, do not rest your foot on the clutch pedal. This can cause your clutch to wear out faster.

Come to a full stop before you shift into Reverse. You can damage the transmission by trying to shift into Reverse with the car moving. Push down the clutch pedal, and pause for a few seconds before shifting into Reverse, or shift into one of the forward gears for a moment. This stops the gears so they won't "grind."

When slowing down, you can get extra braking from the engine by shifting to a lower gear. This extra braking can help you maintain a safe speed and prevent your brakes from overheating while going down a steep hill. Before downshifting, make sure engine speed will not go into the tachometer's red zone in the lower gear.

### **WARNING**

Rapid slowing or speeding-up can cause loss of control on slippery surfaces. If you crash, you can be injured.

Use extra care when driving on slippery surfaces.

### Recommended Shift Points

Drive in the highest gear that lets the engine run and accelerate smoothly. This will give you the best fuel economy and effective emissions control. The following shift points are recommended:

| Shift up   | Normal acceleration |
|------------|---------------------|
| 1st to 2nd | 14 mph (23 km/h)    |
| 2nd to 3rd | 25 mph (40 km/h)    |
| 3rd to 4th | 40 mph (64 km/h)    |
| 4th to 5th | 49 mph (79 km/h)    |

| Shift up   | Cruise from acceleration |
|------------|--------------------------|
| 1st to 2nd | 7 mph (11 km/h)          |
| 2nd to 3rd | 23 mph (37 km/h)         |
| 3rd to 4th | 33 mph (53 km/h)         |
| 4th to 5th | 45 mph (72 km/h)         |

### Engine Speed Limiter

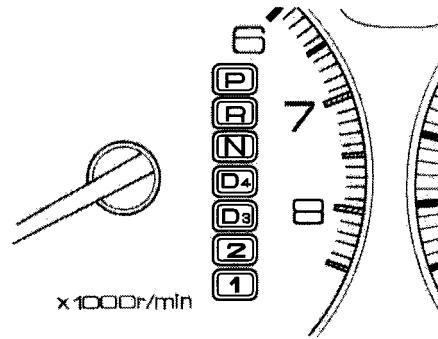
If you exceed the maximum speed for the gear you are in, the engine speed will enter into the tachometer's red zone. If this occurs, you may feel the engine cut in and out. This is caused by a limiter in the engine's computer controls. The engine will run normally when you reduce the RPM below the red zone.

Before downshifting, make sure the engine will not go into the tachometer's red zone.

## Automatic Transmission

Your Acura's transmission has four forward speeds, and is electronically controlled for smoother shifting. It also has a "lock-up" torque converter for better fuel economy. You may feel what seems like another shift when the converter locks.

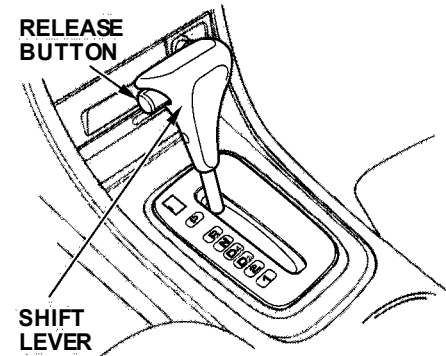
### Shift Lever Position Indicator



This indicator on the instrument panel shows which position the shift lever is in.

The "D4" indicator comes on for a few seconds when you turn the ignition switch ON (II). If it flashes while driving (in any shift position), it indicates a possible problem in the transmission. Avoid rapid acceleration and have the transmission checked by an authorized Acura dealer as soon as possible.

### Shift Lever Positions

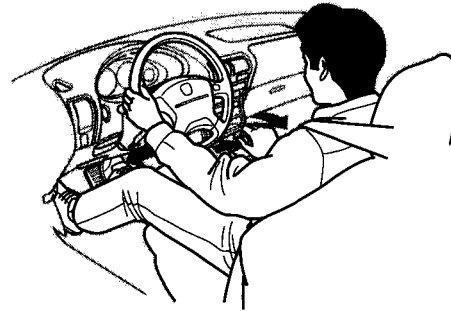


The shift lever has seven positions. It must be in Park or Neutral to start the engine. When you are stopped in D4, D3, 2, 1, N or R, press firmly on the brake pedal, and keep your foot off the accelerator pedal.

## Automatic Transmission

| To shift from:                                                                                                                                                | Do this:                                            |
|---------------------------------------------------------------------------------------------------------------------------------------------------------------|-----------------------------------------------------|
| P to R                                                                                                                                                        | Press the brake pedal and press the release button. |
| R to P<br>N to R<br>D <sub>3</sub> to 2<br>2 to 1                                                                                                             | Press the release button.                           |
| 1 to 2<br>2 to D <sub>3</sub><br>D <sub>3</sub> to D <sub>4</sub><br>D <sub>4</sub> to N<br>D <sub>4</sub> to D <sub>3</sub><br>N to D <sub>4</sub><br>R to N | Move the lever.                                     |

**Park (P)** — This position mechanically locks the transmission. Use Park whenever you are turning off or starting the engine. To shift out of Park, you must press on the brake pedal and have your foot off the accelerator pedal. Press the release button on the side of the shift lever to move it.



If you have done all of the above and still cannot move the lever out of Park, see Shift Lock Release on page 143.

You must also press the release button to shift into Park. To avoid transmission damage, come to a complete stop before shifting into Park. The shift lever must be in Park before you can remove the key from the ignition switch.

**Reverse (R)** — To shift to Reverse from Park, see the explanation under Park. To shift to Reverse from Neutral, come to a complete stop and then shift. Press the release button before shifting into Reverse from Neutral.

**Neutral (N)** — Use Neutral if you need to restart a stalled engine, or if it is necessary to stop briefly with the engine idling. Shift to Park position if you need to leave the car for any reason. Press on the brake pedal when you are moving the shift lever from Neutral to another gear.

**Drive (D<sub>4</sub>)** — Use this position for your normal driving. The transmission automatically selects a suitable gear for your speed and acceleration. You may notice the transmission shifting up at higher speeds when the engine is cold. This helps the engine warm up faster.

*CONTINUED*



## Automatic Transmission

---

**Drive (D<sub>3</sub>)** — This position is similar to D<sub>4</sub>, except only the first three gears are selected. Use D<sub>3</sub> when towing a trailer in hilly terrain, or to provide engine braking when going down a steep hill. D<sub>3</sub> can also keep the transmission from cycling between third and fourth gears in stop-and-go driving.

For faster acceleration when in D<sub>3</sub> or D<sub>4</sub>, you can get the transmission to automatically downshift by pushing the accelerator pedal to the floor. The transmission will shift down one or two gears, depending on your speed.

**Second (2)** — To shift to Second, press the release button on the side of the shift lever. This position locks the transmission in second gear. It does not downshift to first gear when you come to a stop. Second gives you more power when climbing, and increased engine braking when

going down steep hills. Use second gear when starting out on a slippery surface or in deep snow. It will help reduce wheelspin.

**First (1)** — To shift from Second to First, press the release button on the side of the shift lever. With the lever in this position, the transmission locks in First gear. By upshifting and downshifting through 1,2, D<sub>3</sub> and D<sub>4</sub>, you can operate this transmission much like a manual transmission without a clutch pedal.

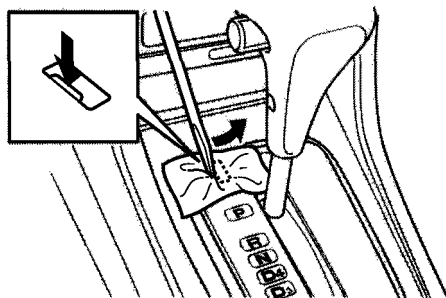
### **Engine Speed Limiter**

If you exceed the maximum speed for the gear you are in, the engine speed will enter into the tachometer's red zone. If this occurs, you may feel the engine cut in and out. This is caused by a limiter in the engine's computer controls. The engine will run normally when you reduce the RPM below the red zone.

### Shift Lock Release

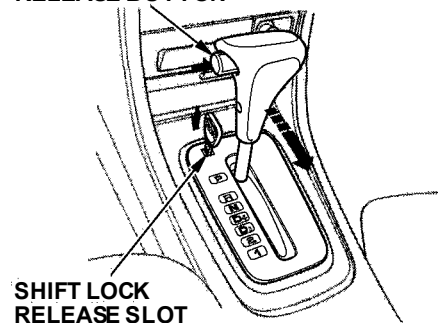
This allows you to move the shift lever out of Park if the normal method of pushing on the brake pedal and pressing the release button does not work.

1. Set the Parking brake.
2. Remove the key from the ignition switch.
3. Put a cloth on the edge of the Shift Lock Release slot cover next to the shift lever.  
Use a small flat-tipped screwdriver or small metal plate (neither are included in the tool kit) to remove the cover. Carefully pry off the edge of the cover.



4. Insert the key in the Shift Lock Release slot.
5. Push down on the key while you press the release button on the shift lever and move the shift lever out of Park to Neutral.

RELEASE BUTTON



6. Remove the key from the Shift Lock Release slot, then reinstall the cover.  
Depress the brake pedal and restart the engine.

If you need to use the Shift Lock Release, it means your car is developing a problem. Have the car checked by your Acura dealer.

## Parking

---

Always use the parking brake when you park your car. The indicator on the instrument panel shows that the parking brake is not fully released; it does not indicate that the parking brake is firmly set. Make sure the parking brake is set firmly or your car may roll if it is parked on an incline.

If your car has an automatic transmission, set the parking brake before you put the transmission in Park. This keeps the car from moving and putting pressure on the parking mechanism in the transmission — making it easier to move the shift lever out of Park when you want to drive away.

If the car is facing uphill, turn the front wheels away from the curb. If you have a manual transmission, put it in first gear.

If the car is facing downhill, turn the front wheels toward the curb. If you have a manual transmission, put it in reverse gear.

Make sure the parking brake is fully released before driving away. Driving with the parking brake partially set can overheat or damage the rear brakes.

### Parking Tips

- Make sure the moonroof and the windows are closed.
- Turn off the lights.
- Place any packages, valuables, etc., in the cargo area or take them with you.
- Lock the doors.
- Never park over dry leaves, tall grass, or other flammable materials. The three way catalytic converter gets very hot, and could cause these materials to catch on fire.

Your Acura is equipped with disc brakes at all four wheels. A power assist helps reduce the effort needed on the brake pedal. The ABS helps you retain steering control when braking very hard.

Put your foot on the brake pedal only when you intend to brake. Resting your foot on the pedal keeps the brakes applied lightly, causing them to build up heat. Heat build-up can reduce how well your brakes work. It also keeps your brake lights on all the time, confusing drivers behind you.

Constant application of the brakes when going down a long hill builds up heat and reduces their effectiveness. Use the engine to assist the brakes by downshifting to a lower gear and taking your foot off the accelerator pedal.

Check your brakes after driving through deep water. Apply the brakes moderately to see if they feel normal. If not, apply them gently and frequently until they do. Since a longer distance is needed to stop with wet brakes, be extra cautious and alert in your driving.

### **Brake Wear Indicators**

All four brakes have audible brake wear indicators.

When the brake pads need replacing, you will hear a distinctive metallic "screeching" sound when you apply the brakes. If you do not have the brake pads replaced, they will begin screeching all the time.

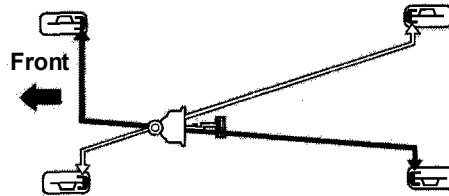
Your brakes may sometimes squeal or squeak when you apply them lightly. Do not confuse this with the brake wear indicators. They make a very audible "screeching."

# The Braking System

---

## Brake System Design

The hydraulic system that operates the brakes has two separate circuits. Each circuit works diagonally across the vehicle (the left-front brake is connected with the right-rear brake, etc.). If one circuit should develop a problem, you will still have braking at two wheels.



## Anti-lock Brakes

The Integra LS, GS, GS-R and Type-R models have an Anti-lock Brake System (ABS) as standard equipment.

ABS helps to prevent the wheels from locking up and skidding during hard braking, allowing you to retain steering control.

When the front tires skid, you lose steering control; the car continues straight ahead even though you turn the steering wheel. The ABS helps to prevent lock-up and helps you retain steering control by pumping the brakes rapidly; much faster than a person can do it.

**You should never pump the brake pedal**, this defeats the purpose of the ABS. Let the ABS work for you by always keeping firm, steady pressure on the brake pedal as you steer away from the hazard. This is sometimes referred to as "*stomp and steer.*"

You will feel a pulsation in the brake pedal when the ABS activates, and you may hear some noise. This is normal, it is the ABS rapidly pumping the brakes.

Activation varies with the amount of traction your tires have. On dry pavement, you will need to press on the brake pedal very hard before you activate the ABS. However, you may feel the ABS activate immediately if you are trying to stop on snow or ice.

***Important Safety Reminders***  
**ABS does not reduce the time or distance it takes to stop the car**, it only helps with steering control during braking. You should always maintain a safe following distance from other vehicles.

**ABS will not prevent a skid that results from changing direction abruptly**, such as trying to take a corner too fast or making a sudden lane change. Always drive at a safe, prudent speed for the road and weather conditions.

**ABS cannot prevent a loss of stability.** Always steer moderately when you are braking hard. Severe or sharp steering wheel movement can still cause your car to veer into oncoming traffic or off the road.

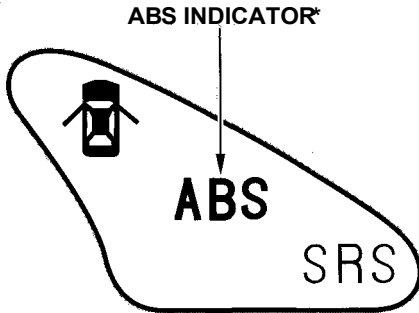
**A vehicle with ABS may require a longer distance to stop** on loose or uneven surfaces, such as gravel or snow, than a vehicle without anti-lock. Slow down and allow a greater distance between vehicles under those conditions.

CONTINUED

## The Braking System, Limited Slip Differential

---

### ABS Indicator



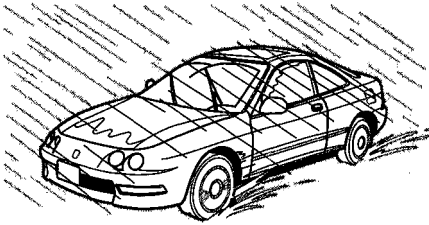
\* U.S. indicator shown

The ABS is self-checking. If anything goes wrong, the ABS indicator on the instrument panel comes on (see page 55). This means the anti-lock function of the braking system has shut down. The brakes still work like a conventional system without anti-lock, providing normal stopping ability. You should have the dealer inspect your car as soon as possible.

### Limited Slip Differential

*Type-R model only*

Your Acura is equipped with a Limited Slip Differential (LSD). If one front wheel slips, the LSD helps traction by automatically transmitting driving force to the other front wheel. You may feel the transfer through the steering wheel.



Rain, fog, and snow conditions require a different driving technique because of reduced traction and visibility. Keep your car well-maintained and exercise greater caution when you need to drive in bad weather. The cruise control should not be used in these conditions.

**Driving Technique** — Always drive slower than you would in dry weather. It takes your car longer to react, even in conditions that may seem just barely damp. Apply smooth, even pressure to all the controls. Abrupt steering wheel movements or sudden, hard application of the brakes can cause loss of control in wet weather. Be extra cautious for the first few miles (kilometers) of driving while you adjust to the change in driving conditions. This is especially true in snow. A person can forget some snow-driving techniques during the summer months. Practice is needed to relearn those skills.

Exercise extra caution when driving in rain after a long dry spell. After months of dry weather, the first rains bring oil to the surface of the roadway, making it slippery.

**Visibility** — Being able to see clearly in all directions and being visible to other drivers are important in all weather conditions. This is more difficult in bad weather. To be seen more clearly during daylight hours, turn on your headlights.

Inspect your windshield wipers and washers frequently. Keep the windshield washer reservoir full of the proper fluid. Have the windshield wiper blades replaced if they start to streak the windshield or leave parts unwiped. Use the defrosters and air conditioning to keep the windows from fogging up on the inside (see page 100).

*CONTINUED*



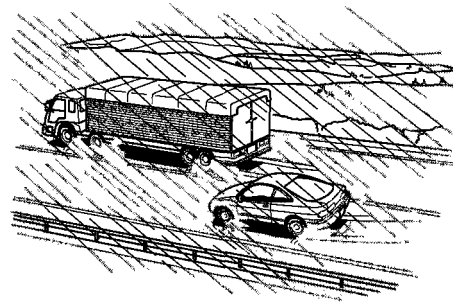
## Driving in Bad Weather

---

**Traction** — Check your tires frequently for wear and proper pressure. Both are important in preventing "hydroplaning" (loss of traction on a wet surface). In the winter, mount snow tires on all four wheels for the best handling.

Watch road conditions carefully, they can change from moment to moment. Wet leaves can be as slippery as ice. "Clear" roads can have patches of ice. Driving conditions can be very hazardous when the outside temperature is near freezing. The road surface can become covered with areas of water puddles mixed with areas of ice, so your traction can change without warning.

Be careful when downshifting. If traction is low, you can lock up the drive wheels for a moment and cause a skid.

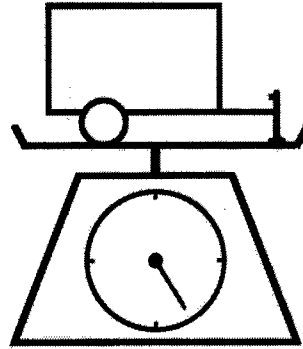


Be very cautious when passing, or being passed by other vehicles. The spray from large vehicles reduces your visibility, and the wind buffeting can cause you to lose control.

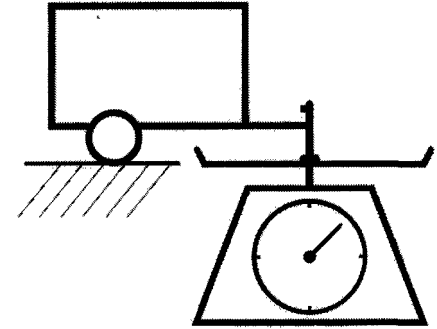
Your Acura has been designed primarily to carry passengers and their cargo. You can use it to tow a trailer if you carefully observe the load limits, use the proper equipment, and follow the guidelines in this section.

*On Type-R model*  
Your vehicle is not designed to tow a trailer. Attempting to do so can void your warranties.

### Load Limits



- **Total Trailer Weight:** The total weight of the trailer and everything loaded in it must not exceed 1,000 lbs (450 kg). Towing a load that is too heavy can seriously affect your vehicle's handling and performance. It can also damage the engine and drivetrain.



- **Tongue Load:** The weight that the tongue of a fully-loaded trailer puts on the hitch should be approximately 10 percent of the trailer weight. Too little tongue load can make the trailer unstable and cause it to sway. Too much tongue load reduces front-tire traction and steering control.

CONTINUED

## Towing a Trailer

---

To achieve a proper tongue load, start by loading 60 percent of the load toward the front of the trailer and 40 percent toward the rear, then re-adjust the load as needed.

- **Gross Vehicle Weight Rating (GVWR):**

The total weight of the vehicle, all occupants, all cargo, *and* the tongue load must not exceed:  
3,680 lbs ( 1,670 kg)

- **Gross Axle Weight Rating (GAWR):**

The total weight of the vehicle, all occupants, all cargo, and the tongue load must not exceed:

**1,985 lbs (900 kg)**  
on the front axle

**1,740 lbs (790 kg)**  
on the rear axle

### **WARNING**

Exceeding load limits or improperly loading your vehicle and trailer can cause a crash in which you can be seriously injured or killed.

Check the loading of your vehicle and trailer carefully before starting to drive.

### **Checking Loads**

The best way to confirm that vehicle and trailer weights are within limits is to have them checked at a public scale.

Using a suitable scale or a special tongue load gauge, check the tongue load the first time you set up a towing combination (a fully-loaded vehicle and trailer), then recheck the tongue load whenever the conditions change.

### **Towing Equipment and Accessories**

Towing can require a variety of equipment, depending on the size of your trailer, how it will be used, and how much load you are towing.

Discuss your needs with your trailer sales or rental agency, and follow the guidelines in the rest of this section. Also make sure that all equipment is properly installed and that it meets federal, state, province, and local regulations.

### **Hitches**

Any hitch used on your vehicle must be properly bolted to the underbody.

### **Safety Chains**

Always use safety chains. Make sure they are secured to both the trailer and hitch, and that they cross under the tongue so they can catch the trailer if it becomes unhitched. Leave enough slack to allow the trailer to turn corners easily, but do not let the chains drag on the ground.

*CONTINUED*

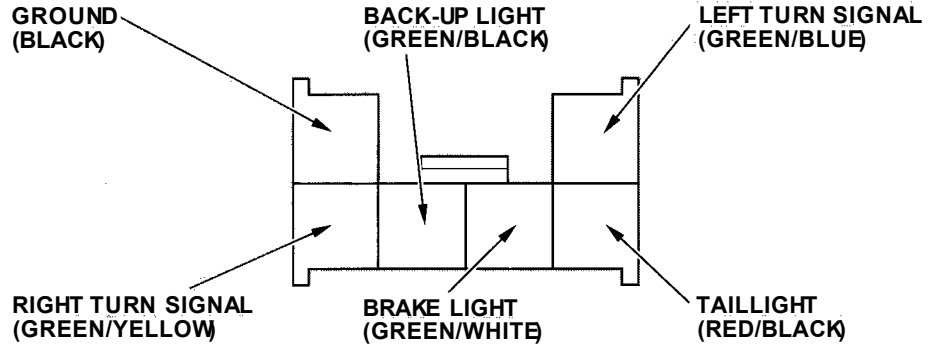
# Towing a Trailer

## Trailer Brakes

Acura recommends that any trailer having a total weight of 1,000 lbs (450 kg) or more be equipped with its own electric or surge-type brakes.

If you choose electric brakes, be sure they are electronically actuated. Do not attempt to tap into your vehicle's hydraulic system. No matter how successful it may seem, any attempt to attach trailer brakes to your vehicle's hydraulic system will lower braking effectiveness and create a potential hazard.

## Trailer Lights



If you use a converter, you can get the connector and pins that mate with the connector in your vehicle from your Acura dealer.

Your vehicle has a trailer lighting connector located behind the left side panel in the cargo area. Refer to the drawing above for the wiring color code and purpose of each pin.

Since lighting and wiring vary in trailer type and brand, you should also have a qualified mechanic install a suitable connector between the vehicle and the trailer.

### ***Additional Trailer Equipment***

Many states and Canadian provinces require special outside mirrors when towing a trailer. Even if they don't, you should install special mirrors if you cannot clearly see behind you, or if the trailer creates a blind spot.

Ask your trailer sales or rental agency if any other items are recommended or required for your towing situation.

### **Pre-Tow Checklist**

When preparing to tow, and before driving away, be sure to check the following:

- The vehicle has been properly serviced, and the tires, brakes, suspension, and cooling system are in good operating condition.
  - All weights and loads are within limits (see pages [151](#) and [152](#)).
  - The hitch, safety chains, and any other attachments are secure.
  - All items on and in the trailer are properly secured and cannot shift while you drive.
  - The lights and brakes on your vehicle and the trailer are working properly.
- Your vehicle tires and spare are properly inflated (see page [255](#)), and the trailer tires and spare are inflated as recommended by the trailer maker.

## Towing a Trailer

---

### **Driving Safely With a Trailer**

The added weight, length, and height of a trailer will affect your vehicle's handling and performance, so driving with a trailer requires some special driving skills and techniques.

For your safety and the safety of others, take time to practice driving maneuvers before heading for the open road, and follow the guidelines discussed below.

### ***Towing Speeds and Gears***

Drive slower than normal in all driving situations, and obey posted speed limits for vehicles with trailers. If you have an automatic transmission, use D<sub>4</sub> position when towing a trailer on level roads. D<sub>3</sub> is the proper shift lever position to use when towing a trailer in hilly terrain. (See "***Driving on Hills***" in the next column for additional gear information.)

### ***Making Turns and Braking***

Make turns more slowly and wider than normal. The trailer tracks a smaller arc than your vehicle, and it can hit or run over something the vehicle misses. Allow more time and distance for braking. Do not brake or turn suddenly as this could cause the trailer to jackknife or turn over.

### ***Driving on Hills***

When climbing hills, closely watch your temperature gauge. If it nears the red (Hot) mark, turn the air conditioning off, reduce speed and, if necessary, pull to the side of the road to let the engine cool.

If the automatic transmission shifts frequently between 3rd and 4th gears while going up a hill, shift to D<sub>3</sub>.

If you must stop when facing uphill, use the foot brake or parking brake. Do not try to hold the vehicle in place by pressing on the accelerator, as this can cause the automatic transmission to overheat.

When driving down hills, reduce your speed and shift down to 2nd gear. Do not "ride" the brakes, and remember it will take longer to slow down and stop when towing a trailer.

### ***Handling Crosswinds and Buffeting***

Crosswinds and air turbulence caused by passing trucks can disrupt your steering and cause trailer swaying. When being passed by a large vehicle, keep a constant speed and steer straight ahead. Do not try to make quick steering or braking corrections.

### ***Backing Up***

Always drive slowly and have someone guide you when backing up. Grip the *bottom* of the steering wheel; then turn the wheel to the left to get the trailer to move to the left, and turn the wheel right to move the trailer to the right.

### ***Parking***

Follow all normal precautions when parking, including firmly setting the parking brake and putting the transmission in Park (automatic) or in 1st or Reverse (manual). Also, place wheel chocks at each of the trailer's tires.





This section explains why it is important to keep your car well maintained and to follow basic maintenance safety precautions.

This section also includes Maintenance Schedules for normal driving and severe driving conditions, a Maintenance Record, and instructions for simple maintenance tasks you may want to take care of yourself.

If you have the skills and tools to perform more complex maintenance tasks on your Acura, you may want to purchase the Service Manual. See page 271 for information on how to obtain a copy, or see your Acura dealer.

|                                  |     |                               |     |
|----------------------------------|-----|-------------------------------|-----|
| Maintenance Safety.....          | 160 | Hood Latch.....               | 189 |
| Important Safety Precautions..   | 161 | Spark Plugs.....              | 189 |
| Maintenance Schedule.....        | 162 | Replacement.....              | 189 |
| Maintenance Record.....          | 169 | Specifications.....           | 191 |
| Owner Maintenance Checks.....    | 171 | Battery.....                  | 191 |
| Fluid Locations.....             | 172 | Wiper Blades.....             | 194 |
| Engine Oil.....                  | 173 | Air Conditioning System.....  | 196 |
| Adding Oil.....                  | 173 | Drive Belts.....              | 197 |
| Recommended Oil.....             | 173 | Timing Belt.....              | 197 |
| Synthetic Oil.....               | 175 | Tires.....                    | 198 |
| Additives.....                   | 175 | Inflation.....                | 198 |
| Changing the Oil and Filter..... | 175 | Inspection.....               | 199 |
| Cooling System.....              | 178 | Maintenance.....              | 200 |
| Adding Engine Coolant.....       | 178 | Tire Rotation.....            | 201 |
| Replacing Engine Coolant.....    | 180 | Tire Wear.....                | 201 |
| Windshield Washers.....          | 182 | Replacing Tires and Wheels... | 202 |
| Transmission Fluid.....          | 183 | Wheels and Tires.....         | 203 |
| Automatic                        |     | Winter Driving.....           | 203 |
| Transmission.....                | 183 | Snow Tires.....               | 204 |
| 5-speed Manual                   |     | Tire Chains.....              | 204 |
| Transmission.....                | 185 | Lights.....                   | 205 |
| Brake and Clutch Fluid.....      | 185 | Headlight Aiming.....         | 207 |
| Brake System.....                | 186 | Replacing Bulbs.....          | 209 |
| Clutch System.....               | 186 | Storing Your Car.....         | 216 |
| Power Steering.....              | 187 |                               |     |
| Air Cleaner Element.....         | 188 |                               |     |

## Maintenance Safety

---

Regularly maintaining your car is the best way to protect your investment. Proper maintenance is essential to your safety and the safety of your passengers. It will also reward you with more economical, trouble-free driving and help reduce air pollution.

### **WARNING**

Improperly maintaining this car or failing to correct a problem before driving can cause a crash in which you can be seriously hurt or killed.

Always follow the inspection and maintenance recommendations and schedules in this owner's manual.

This section includes instructions for simple maintenance tasks, such as checking and adding oil. Any service items not detailed in this section should be performed by an Acura technician or other qualified mechanic.

Some of the most important safety precautions are given here. However, we cannot warn you of every conceivable hazard that can arise in performing maintenance. Only you can decide whether or not you should perform a given task.

### **WARNING**

Failure to properly follow maintenance instructions and precautions can cause you to be seriously hurt or killed.

Always follow the procedures and precautions in this owner's manual.

### Important Safety Precautions

Before you begin any maintenance, make sure your car is parked on level ground and that the parking brake is set. Also, be sure the engine is off. This will help to eliminate several potential hazards:

- **Carbon monoxide poisoning from engine exhaust.** Be sure there is adequate ventilation whenever you operate the engine.
- **Burns from hot parts.** Let the engine and exhaust system cool before touching any parts.
- **Injury from moving parts.** Do not run the engine unless instructed to do so.

Read the instructions before you begin, and make sure you have the tools and skills required.

To reduce the possibility of fire or explosion, be careful when working around gasoline or batteries. Use a commercially available degreaser or parts cleaner, not gasoline, to clean parts. Keep cigarettes, sparks, and flames away from the battery and all fuel-related parts.

You should wear eye protection and protective clothing when working near the battery or when using compressed air.

## Maintenance Schedule

---

The Maintenance Schedule specifies how often you should have your car serviced and what things need attention. It is essential that you have your car serviced as scheduled to retain its high level of safety, dependability, and emissions control performance.

The services and time or distance intervals shown in the maintenance schedule assume you will use your car as normal transportation for passengers and their possessions. You should also follow these recommendations:

- Avoid exceeding your car's load limit. This puts excess stress on the engine, brakes, and many other parts of your car. The load limit is shown on the label on the driver's doorjamb.
- Operate your car on reasonable roads within the legal speed limit.
- Drive your car regularly over a distance of several miles (kilometers).
- Always use unleaded gasoline with the proper octane rating (see page [123](#)).

### **Which Schedule to Follow:**

Service your car according to the time and mileage periods on one of the Maintenance Schedules on the following pages. Select the schedule for "Severe Conditions" if most of your driving is done under one or more of the conditions listed on that page. Otherwise, follow the schedule for "Normal Conditions."

Your authorized Acura dealer knows your car best and can provide competent, efficient service. However, service at a dealer is not mandatory to keep your warranties in effect. Maintenance may be done by any qualified service facility or person who is skilled in this type of automotive service. Keep all the receipts as proof of completion, and have the person who does the work fill out the Maintenance Record. Check your warranty booklet for more information.

We recommend the use of Genuine Acura parts and fluids whenever you have maintenance done. These are manufactured to the same high-quality standards as the original components, so you can be confident of their performance and durability.

U.S. Vehicles:

**Maintenance, replacement or repair of emissions control devices and systems may be done by any automotive repair establishment or individual using parts that are "certified" to EPA standards.**

According to state and federal regulations, failure to perform maintenance on the items marked with # will not void your emissions warranties. However, Acura recommends that all maintenance services be performed at the recommended time or mileage period to ensure long-term reliability.

| Service at the indicated distance or time – whichever comes first.        | miles x 1,000                                                                                    | 15                                                                                               | 30 | 45 | 60 | 75  | 90  | 105 | 120 |
|---------------------------------------------------------------------------|--------------------------------------------------------------------------------------------------|--------------------------------------------------------------------------------------------------|----|----|----|-----|-----|-----|-----|
|                                                                           | km x 1,000                                                                                       | 24                                                                                               | 48 | 72 | 96 | 120 | 144 | 168 | 192 |
|                                                                           | months                                                                                           | 12                                                                                               | 24 | 36 | 48 | 60  | 72  | 84  | 96  |
| Replace engine oil                                                        | Replace every 7,500 miles (12,000 km) or 12 months                                               |                                                                                                  |    |    |    |     |     |     |     |
| Replace engine oil filter                                                 |                                                                                                  | ●                                                                                                | ●  | ●  | ●  | ●   | ●   | ●   | ●   |
| Check engine oil and coolant                                              | Check oil and coolant at each fuel stop                                                          |                                                                                                  |    |    |    |     |     |     |     |
| Replace air cleaner element                                               |                                                                                                  |                                                                                                  | ●  |    | ●  |     | ●   |     | ●   |
| Inspect valve clearance                                                   | Adjust only if noisy                                                                             |                                                                                                  |    |    |    |     |     | ●   |     |
| Replace spark plugs                                                       |                                                                                                  |                                                                                                  |    |    |    |     | ●   |     |     |
| Replace timing belt, and inspect water pump                               |                                                                                                  |                                                                                                  |    |    |    |     | ●   |     |     |
| Inspect and adjust drive belts                                            |                                                                                                  | ●                                                                                                |    | ●  |    | ●   |     | ●   |     |
| Inspect idle speed                                                        |                                                                                                  |                                                                                                  |    |    |    |     | ●   |     |     |
| Replace engine coolant                                                    | 120,000 miles (192,000 km) or 120 months, thereafter every 60,000 miles (96,000 km) or 60 months |                                                                                                  |    |    |    |     |     |     |     |
| Replace transmission fluid                                                | MT                                                                                               | Every 120,000 miles (192,000 km) or 72 months                                                    |    |    |    |     |     |     |     |
|                                                                           | AT                                                                                               | 120,000 miles (192,000 km) or 72 months, thereafter every 90,000 miles (144,000 km) or 60 months |    |    |    |     |     |     |     |
| Inspect front and rear brakes                                             |                                                                                                  | ●                                                                                                | ●  | ●  | ●  | ●   | ●   | ●   | ●   |
| Replace brake fluid                                                       | Every 36 months (independent of mileage)                                                         |                                                                                                  |    |    |    |     |     |     |     |
| Check parking brake adjustment                                            |                                                                                                  | ●                                                                                                | ●  | ●  | ●  | ●   | ●   | ●   | ●   |
| Rotate tires (Check tire inflation and condition at least once per month) | Rotate tires every 7,500 miles (12,000 km)                                                       |                                                                                                  |    |    |    |     |     |     |     |
| <b>Visually inspect the following items:</b>                              |                                                                                                  |                                                                                                  |    |    |    |     |     |     |     |
| Tie rod ends, steering gear box, and boots                                |                                                                                                  |                                                                                                  |    |    |    |     |     |     |     |
| Suspension components                                                     |                                                                                                  |                                                                                                  |    |    |    |     |     |     |     |
| Driveshaft boots                                                          |                                                                                                  |                                                                                                  |    |    |    |     |     |     |     |
| Brake hoses and lines (including ABS)                                     | ●                                                                                                | ●                                                                                                | ●  | ●  | ●  | ●   | ●   | ●   | ●   |
| All fluid levels and condition of fluids                                  |                                                                                                  |                                                                                                  |    |    |    |     |     |     |     |
| Cooling system hoses and connections                                      |                                                                                                  |                                                                                                  |    |    |    |     |     |     |     |
| *Exhaust system                                                           |                                                                                                  |                                                                                                  |    |    |    |     |     |     |     |
| *Fuel lines and connections                                               |                                                                                                  |                                                                                                  |    |    |    |     |     |     |     |

#: See information on maintenance and emissions warranty, last column, page 163.

### U.S. Owners

Follow the Normal Conditions Maintenance Schedule if the severe driving conditions specified in the Severe Conditions Maintenance Schedule do not apply.

NOTE: If you only *OCCASIONALLY* drive under a "severe" condition, you should follow the Normal Conditions Maintenance Schedule.

### Canadian Owners

Follow the Maintenance Schedule for Severe Conditions.

Service at the indicated distance or time, whichever comes first. Do the items in **A, B, C, D** as required for each distance/time interval. Follow this schedule if the severe driving conditions described in the Severe Conditions Schedule on the next page do not apply.

**Canadian owners:** Follow the schedule for Severe Conditions.

|                              |                                                                                                                                                                                                                                                        |
|------------------------------|--------------------------------------------------------------------------------------------------------------------------------------------------------------------------------------------------------------------------------------------------------|
| 7,500 mi/12,000 km           | Do items in A.                                                                                                                                                                                                                                         |
| 15,000 mi/24,000 km/1 yr     | Do items in A, B.                                                                                                                                                                                                                                      |
| 22,500 mi/36,000 km          | Do items in A.                                                                                                                                                                                                                                         |
| 30,000 mi/48,000 km/2 yrs    | Do items in A, B, C.                                                                                                                                                                                                                                   |
| 37,500 mi/60,000 km          | Do items in A.                                                                                                                                                                                                                                         |
| 45,000 mi/72,000 km/3 yrs    | Do items in A, B, D.                                                                                                                                                                                                                                   |
| 52,500 mi/84,000 km          | Do items in A.                                                                                                                                                                                                                                         |
| 60,000 mi/96,000 km/4 yrs    | Do items in A, B, C.                                                                                                                                                                                                                                   |
| 67,500 mi/108,000 km         | Do items in A.                                                                                                                                                                                                                                         |
| 75,000 mi/120,000 km/5 yrs   | Do items in A, B.                                                                                                                                                                                                                                      |
| 82,500 mi/132,000 km         | Do items in A.                                                                                                                                                                                                                                         |
| 90,000 mi/144,000 km/6 yrs   | Do items in A, B, C, D.                                                                                                                                                                                                                                |
| 97,500 mi/156,000 km         | Do items in A.                                                                                                                                                                                                                                         |
| 105,000 mi/168,000 km/7 yrs  | <input type="checkbox"/> Replace timing belt, and inspect water pump.<br><input type="checkbox"/> Check valve clearance, cold engine.<br><input type="checkbox"/> Replace spark plugs.<br><input type="checkbox"/> Check idle speed. Do items in A, B. |
| 112,500 mi/180,000 km        | Do items in A.                                                                                                                                                                                                                                         |
| 120,000 mi/192,000 km/6 yrs  | <input type="checkbox"/> Replace transmission fluid (MT, AT). <sup>*1</sup>                                                                                                                                                                            |
| 120,000 mi/192,000 km/8 yrs  | Do items in A, B, C.                                                                                                                                                                                                                                   |
| 120,000 mi/192,000 km/10 yrs | <input type="checkbox"/> Replace engine coolant. <sup>*2</sup>                                                                                                                                                                                         |

\* 1 : On Automatic transmission, thereafter replace transmission fluid every 90,000 mi/144,000 km/5 yrs.

\* 2 : Thereafter replace engine coolant every 60,000 mi/96,000 km/5 yrs.

**NOTE:**

- Check engine oil and coolant at each fuel stop.
- Check and adjust valve clearance, cold engine, only if noisy.

|          |                                                                                                                                                                                                                                                                                                                                                                                                                                                                                                                                                                                                                                                                                                                                                  |
|----------|--------------------------------------------------------------------------------------------------------------------------------------------------------------------------------------------------------------------------------------------------------------------------------------------------------------------------------------------------------------------------------------------------------------------------------------------------------------------------------------------------------------------------------------------------------------------------------------------------------------------------------------------------------------------------------------------------------------------------------------------------|
| <b>A</b> | <input type="checkbox"/> Replace engine oil.<br><input type="checkbox"/> Rotate tires (follow pattern on page 201 ).                                                                                                                                                                                                                                                                                                                                                                                                                                                                                                                                                                                                                             |
| <b>B</b> | <input type="checkbox"/> Replace engine oil filter.<br><input type="checkbox"/> Inspect front and rear brakes.<br><input type="checkbox"/> Check parking brake adjustment.<br><input type="checkbox"/> Inspect tie rod ends, steering gearbox and boots.<br><input type="checkbox"/> Inspect suspension components.<br><input type="checkbox"/> Inspect driveshaft boots.<br><input type="checkbox"/> Inspect brake hoses and lines (including ABS).<br><input type="checkbox"/> Check all fluid levels, condition of fluids, and check for leaks.<br><input type="checkbox"/> Inspect cooling system hoses and connections.<br><input type="checkbox"/> Inspect exhaust system.<br><input type="checkbox"/> Inspect fuel lines and connections. |
| <b>C</b> | <input type="checkbox"/> Replace air cleaner element.<br><input type="checkbox"/> Inspect and adjust drive belts.                                                                                                                                                                                                                                                                                                                                                                                                                                                                                                                                                                                                                                |
| <b>D</b> | <input type="checkbox"/> Replace brake fluid every 3 years (independent of mileage).                                                                                                                                                                                                                                                                                                                                                                                                                                                                                                                                                                                                                                                             |

#. See information on maintenance and emissions warranty, last column, page 163.



| Service at the indicated distance or time – whichever comes first.                               | miles x 1,000                                                                                    | 15                                                                                            | 30 | 45 | 60 | 75  | 90  | 105 | 120 |
|--------------------------------------------------------------------------------------------------|--------------------------------------------------------------------------------------------------|-----------------------------------------------------------------------------------------------|----|----|----|-----|-----|-----|-----|
|                                                                                                  | km x 1,000                                                                                       | 24                                                                                            | 48 | 72 | 96 | 120 | 144 | 168 | 192 |
|                                                                                                  | months                                                                                           | 12                                                                                            | 24 | 36 | 48 | 60  | 72  | 84  | 96  |
| Replace engine oil and oil filter                                                                | Replace every 3,750 miles (6,000 km) or 6 months                                                 |                                                                                               |    |    |    |     |     |     |     |
| Check engine oil and coolant                                                                     | Check oil and coolant at each fuel stop                                                          |                                                                                               |    |    |    |     |     |     |     |
| Clean (○) or replace (●) air cleaner element<br>– Use normal schedule except in dusty conditions | ○                                                                                                | ●                                                                                             | ○  | ●  | ○  | ●   | ○   | ●   |     |
| Inspect valve clearance                                                                          | Adjust only if noisy                                                                             |                                                                                               |    |    |    |     |     | ●   |     |
| Replace spark plugs                                                                              |                                                                                                  |                                                                                               |    |    |    |     |     | ●   |     |
| *Replace timing belt*, and inspect water pump                                                    |                                                                                                  |                                                                                               |    |    |    |     |     | ●   |     |
| Inspect and adjust drive belts                                                                   |                                                                                                  | ●                                                                                             |    | ●  |    | ●   |     | ●   |     |
| Inspect idle speed                                                                               |                                                                                                  |                                                                                               |    |    |    |     |     | ●   |     |
| Replace engine coolant                                                                           | 120,000 miles (192,000 km) or 120 months, thereafter every 60,000 miles (96,000 km) or 60 months |                                                                                               |    |    |    |     |     |     |     |
| Replace transmission fluid                                                                       | MT                                                                                               | Every 60,000 miles (96,000 km) or 36 months                                                   |    |    |    |     |     |     |     |
|                                                                                                  | AT                                                                                               | 60,000 miles (96,000 km) or 36 months, thereafter every 30,000 miles (48,000 km) or 24 months |    |    |    |     |     |     |     |
| Inspect front and rear brakes                                                                    | Inspect every 7,500 miles (12,000 km) or 6 months                                                |                                                                                               |    |    |    |     |     |     |     |
| Replace brake fluid                                                                              | Every 36 months (independent of mileage)                                                         |                                                                                               |    |    |    |     |     |     |     |
| Check parking brake adjustment                                                                   | ●                                                                                                | ●                                                                                             | ●  | ●  | ●  | ●   | ●   | ●   | ●   |
| Lubricate all hinges, locks and latches                                                          | ●                                                                                                | ●                                                                                             | ●  | ●  | ●  | ●   | ●   | ●   | ●   |
| Clean antenna mast                                                                               | ●                                                                                                | ●                                                                                             | ●  | ●  | ●  | ●   | ●   | ●   | ●   |
| Rotate tires (Check tire inflation and condition at least once per month)                        | Rotate tires every 7,500 miles (12,000 km)                                                       |                                                                                               |    |    |    |     |     |     |     |
| <b>Visually inspect the following items:</b>                                                     |                                                                                                  |                                                                                               |    |    |    |     |     |     |     |
| Tie rod ends, steering gear box, and boots<br>Suspension components, Driveshaft boots            | Every 7,500 miles (12,000 km) or 6 months                                                        |                                                                                               |    |    |    |     |     |     |     |
| Brake hoses and lines (including ABS)                                                            |                                                                                                  |                                                                                               |    |    |    |     |     |     |     |
| All fluid levels and condition of fluids                                                         |                                                                                                  |                                                                                               |    |    |    |     |     |     |     |
| Cooling system hoses and connections                                                             | ●                                                                                                | ●                                                                                             | ●  | ●  | ●  | ●   | ●   | ●   | ●   |
| *Exhaust system                                                                                  |                                                                                                  |                                                                                               |    |    |    |     |     |     |     |
| *Fuel lines and connections                                                                      |                                                                                                  |                                                                                               |    |    |    |     |     |     |     |
| Lights and controls, Vehicle underbody                                                           |                                                                                                  |                                                                                               |    |    |    |     |     |     |     |

\* : Refer to page 197 for replacement information under special driving conditions.

# : See information on maintenance and emissions warranty, last column, page 163.

### U.S. Owners

Follow the Severe Conditions Maintenance Schedule if you drive your vehicle *MAINLY* under one or more of the following conditions:

- Driving less than 5 miles (8 km) per trip or, in freezing temperatures, driving less than 10 miles (16 km) per trip.
- Driving in extremely hot [over 90°F (32°C)] conditions.
- Extensive idling or long periods of stop-and-go driving.
- Trailer towing, driving with a roof rack, or driving in mountainous conditions.
- Driving on muddy, dusty, or de-iced roads.

### Canadian Owners

Follow the Maintenance Schedule for Severe Conditions.

Use this schedule if your vehicle is MAINLY driven in any of the following Severe Conditions, or normally driven in Canada; otherwise use the Normal Schedule. Service at the indicated distance or time, whichever comes first. Do the items in **A, B, C, D, E** as required for each distance/time.

**Severe Conditions:**

- Driving less than 5 miles (8 km) per trip or, in freezing temperatures, driving less than 10 miles (16 km) per trip.
- Driving in extremely hot (over 90°F/32°C) conditions.
- Extensive idling or long periods of stop-and-go driving.
- Trailer towing, driving with a roof rack, or driving in mountainous conditions.
- Driving on muddy, dusty, or de-iced roads.

|                           |                                                                                                                                        |
|---------------------------|----------------------------------------------------------------------------------------------------------------------------------------|
| 3,750 mi/6,000 km/6 mos   | Do items in A.                                                                                                                         |
| 7,500 mi/12,000 km        | Do items in A, B.                                                                                                                      |
| 11,250 mi/18,000 km       | Do items in A.                                                                                                                         |
| 15,000 mi/24,000 km/1 yr  | <input type="checkbox"/> Clean air cleaner element.<br>Do items in A, B, C.                                                            |
| 18,750 mi/30,000 km       | Do items in A.                                                                                                                         |
| 22,500 mi/36,000 km       | Do items in A, B.                                                                                                                      |
| 26,250 mi/42,000 km       | Do items in A.                                                                                                                         |
| 30,000 mi/48,000 km/2 yrs | Do items in A, B, C, D.                                                                                                                |
| 33,750 mi/54,000 km       | Do items in A.                                                                                                                         |
| 37,500 mi/60,000 km       | Do items in A, B.                                                                                                                      |
| 41,250 mi/66,000 km       | Do items in A.                                                                                                                         |
| 45,000 mi/72,000 km/3 yrs | <input type="checkbox"/> Clean air cleaner element.<br>Do items in A, B, C, E.                                                         |
| 48,750 mi/78,000 km       | Do items in A.                                                                                                                         |
| 52,500 mi/84,000 km       | Do items in A, B.                                                                                                                      |
| 56,250 mi/90,000 km       | Do items in A.                                                                                                                         |
| 60,000 mi/96,000 km/3 yrs | <input type="checkbox"/> Replace MT fluid.<br><input type="checkbox"/> Replace AT fluid, thereafter replace 30,000 mi/48,000 km/2 yrs. |
| 60,000 mi/96,000 km/4 yrs | <input type="checkbox"/> *Replace timing belt*, and inspect water pump.<br>Do items in A, B, C, D.                                     |

|          |                                                                                                                                                                                                                                                                                                                                                                                                                                                                                                                                                                                                                                                                                                |
|----------|------------------------------------------------------------------------------------------------------------------------------------------------------------------------------------------------------------------------------------------------------------------------------------------------------------------------------------------------------------------------------------------------------------------------------------------------------------------------------------------------------------------------------------------------------------------------------------------------------------------------------------------------------------------------------------------------|
| <b>A</b> | <input type="checkbox"/> Replace engine oil and filter.                                                                                                                                                                                                                                                                                                                                                                                                                                                                                                                                                                                                                                        |
| <b>B</b> | <input type="checkbox"/> Inspect front and rear brakes.<br><input type="checkbox"/> Rotate tires (follow pattern on page 201 ).<br><input type="checkbox"/> Inspect tie rod ends, steering gearbox and boots.<br><input type="checkbox"/> Inspect suspension components.<br><input type="checkbox"/> Inspect driveshaft boots.                                                                                                                                                                                                                                                                                                                                                                 |
| <b>C</b> | <input type="checkbox"/> Check parking brake adjustment.<br><input type="checkbox"/> Lubricate all hinges, locks, and latches with multipurpose grease.<br><input type="checkbox"/> Clean antenna mast.<br><input type="checkbox"/> Inspect brake hoses and lines. (including ABS)<br><input type="checkbox"/> Check all fluid levels, condition of fluids, and check for leaks.<br><input type="checkbox"/> Inspect cooling system hoses and connections.<br><input type="checkbox"/> *Inspect exhaust system.<br><input type="checkbox"/> *Inspect fuel lines and connections.<br><input type="checkbox"/> Check all lights and controls.<br><input type="checkbox"/> Inspect the underbody. |
| <b>D</b> | <input type="checkbox"/> Replace air cleaner element.<br><input type="checkbox"/> Inspect and adjust drive belts.                                                                                                                                                                                                                                                                                                                                                                                                                                                                                                                                                                              |
| <b>E</b> | <input type="checkbox"/> Replace brake fluid every 3 years (independent of mileage).                                                                                                                                                                                                                                                                                                                                                                                                                                                                                                                                                                                                           |

# : See information on maintenance and emissions warranty, last column, page 163.

\* : See timing belt on page 197 to determine need for replacement.

NOTE:

- Check engine oil and coolant at each fuel stop.
- Check and adjust valve clearance, cold engine, only if noisy.

|                              |                                                                                                                                                                                                                                                                                                                                |
|------------------------------|--------------------------------------------------------------------------------------------------------------------------------------------------------------------------------------------------------------------------------------------------------------------------------------------------------------------------------|
| 63,750 mi/102,000 km         | Do items in A.                                                                                                                                                                                                                                                                                                                 |
| 67,500 mi/108,000 km         | Do items in A, B.                                                                                                                                                                                                                                                                                                              |
| 71,250 mi/114,000 km         | Do items in A.                                                                                                                                                                                                                                                                                                                 |
| 75,000 mi/120,000 km/5 yrs   | <input type="checkbox"/> Clean air cleaner element.<br>Do items in A, B, C.                                                                                                                                                                                                                                                    |
| 78,750 mi/126,000 km         | Do items in A.                                                                                                                                                                                                                                                                                                                 |
| 82,500 mi/132,000 km         | Do items in A, B.                                                                                                                                                                                                                                                                                                              |
| 86,250 mi/138,000 km         | Do items in A.                                                                                                                                                                                                                                                                                                                 |
| 90,000 mi/144,000 km/5 yrs   | <input type="checkbox"/> Replace automatic transmission fluid.                                                                                                                                                                                                                                                                 |
| 90,000 mi/144,000 km/6 yrs   | Do items in A, B, C, D, E.                                                                                                                                                                                                                                                                                                     |
| 93,750 mi/150,000 km         | Do items in A.                                                                                                                                                                                                                                                                                                                 |
| 97,500 mi/156,000 km         | Do items in A, B.                                                                                                                                                                                                                                                                                                              |
| 101,250 mi/162,000 km        | Do items in A.                                                                                                                                                                                                                                                                                                                 |
| 105,000 mi/168,000 km/7 yrs  | <input type="checkbox"/> Clean air cleaner element.<br><input type="checkbox"/> Replace timing belt* <sup>1</sup> , and inspect water pump.<br><input type="checkbox"/> Check valve clearance, cold engine.<br><input type="checkbox"/> Replace spark plugs<br><input type="checkbox"/> Check idle speed. Do items in A, B, C. |
| 108,750 mi/174,000 km        | Do items in A.                                                                                                                                                                                                                                                                                                                 |
| 112,500 mi/180,000 km        | Do items in A, B.                                                                                                                                                                                                                                                                                                              |
| 116,250 mi/186,000 km        | Do items in A.                                                                                                                                                                                                                                                                                                                 |
| 120,000 mi/192,000 km/6 yrs  | <input type="checkbox"/> Replace manual transmisson fluid.                                                                                                                                                                                                                                                                     |
| 120,000 mi/192,000 km/7 yrs  | <input type="checkbox"/> Replace automatic transmission fluid.                                                                                                                                                                                                                                                                 |
| 120,000 mi/192,000 km/8 yrs  | <input type="checkbox"/> Replace timing belt* <sup>1</sup> , and inspect water pump.<br>Do items in A, B, C, D.                                                                                                                                                                                                                |
| 120,000 mi/192,000 km/10 yrs | <input type="checkbox"/> Replace engine coolant* <sup>2</sup> .                                                                                                                                                                                                                                                                |

# : See information on maintenance and emissions warranty, last column, page 163.

\* 1: See timing belt on page 197 to determine need for replacement.

\* 2: Thereafter replace engine coolant every 60,000 mi/96,000 km/5 yrs.

NOTE:

- Check engine oil and coolant at each fuel stop.
- Check and adjust valve clearance, cold engine, only if noisy.

## Required Maintenance Record (for Normal and Severe Schedules)

You or the servicing dealer can record all completed maintenance here, whether you follow the schedule for normal conditions (page 164) or severe conditions (page 166). Keep the receipts for all work done on your vehicle.

|                                                |                           |       |
|------------------------------------------------|---------------------------|-------|
| <b>3,750 mi</b><br>6,000 km                    | Signature or dealer stamp | mi/km |
|                                                |                           | Date  |
| <b>7,500 mi</b><br>12,000 km<br>(or 6 mo)      |                           | mi/km |
|                                                |                           | Date  |
| <b>11,250 mi</b><br>18,000 km                  |                           | mi/km |
|                                                |                           | Date  |
| <b>15,000 mi</b><br>24,000 km<br>(or 1 year)   |                           | mi/km |
|                                                |                           | Date  |
| <b>18,750 mi</b><br>30,000 km                  |                           | mi/km |
|                                                |                           | Date  |
| <b>22,500 mi</b><br>36,000 km<br>(or 1½ years) |                           | mi/km |
|                                                |                           | Date  |
| <b>26,250 mi</b><br>42,000 km                  |                           | mi/km |
|                                                |                           | Date  |
| <b>30,000 mi</b><br>48,000 km<br>(or 2 years)  |                           | mi/km |
|                                                |                           | Date  |

|                                                |                           |       |
|------------------------------------------------|---------------------------|-------|
| <b>33,750 mi</b><br>54,000 km                  | Signature or dealer stamp | mi/km |
|                                                |                           | Date  |
| <b>37,500 mi</b><br>60,000 km<br>(or 2½ years) |                           | mi/km |
|                                                |                           | Date  |
| <b>41,250 mi</b><br>66,000 km                  |                           | mi/km |
|                                                |                           | Date  |
| <b>45,000 mi</b><br>72,000 km<br>(or 3 years)  |                           | mi/km |
|                                                |                           | Date  |
| <b>48,750 mi</b><br>78,000 km                  |                           | mi/km |
|                                                |                           | Date  |
| <b>52,500 mi</b><br>84,000 km<br>(or 3½ years) |                           | mi/km |
|                                                |                           | Date  |
| <b>56,250 mi</b><br>90,000 km                  |                           | mi/km |
|                                                |                           | Date  |
| <b>60,000 mi</b><br>96,000 km<br>(or 4 years)  |                           | mi/km |
|                                                |                           | Date  |

## Required Maintenance Record (for Normal and Severe Schedules)

|                                                 |                           |       |
|-------------------------------------------------|---------------------------|-------|
| <b>63,750 mi</b><br>102,000 km                  | Signature or dealer stamp | mi/km |
|                                                 |                           | Date  |
| <b>67,500 mi</b><br>108,000 km<br>(or 4½ years) |                           | mi/km |
|                                                 |                           | Date  |
| <b>71,250 mi</b><br>114,000 km                  |                           | mi/km |
|                                                 |                           | Date  |
| <b>75,000 mi</b><br>120,000 km<br>(or 5 years)  |                           | mi/km |
|                                                 |                           | Date  |
| <b>78,750 mi</b><br>126,000 km                  |                           | mi/km |
|                                                 |                           | Date  |
| <b>82,500 mi</b><br>132,000 km<br>(or 5½ years) |                           | mi/km |
|                                                 |                           | Date  |
| <b>86,250 mi</b><br>138,000 km                  |                           | mi/km |
|                                                 |                           | Date  |
| <b>90,000 mi</b><br>144,000 km<br>(or 6 years)  |                           | mi/km |
|                                                 |                           | Date  |

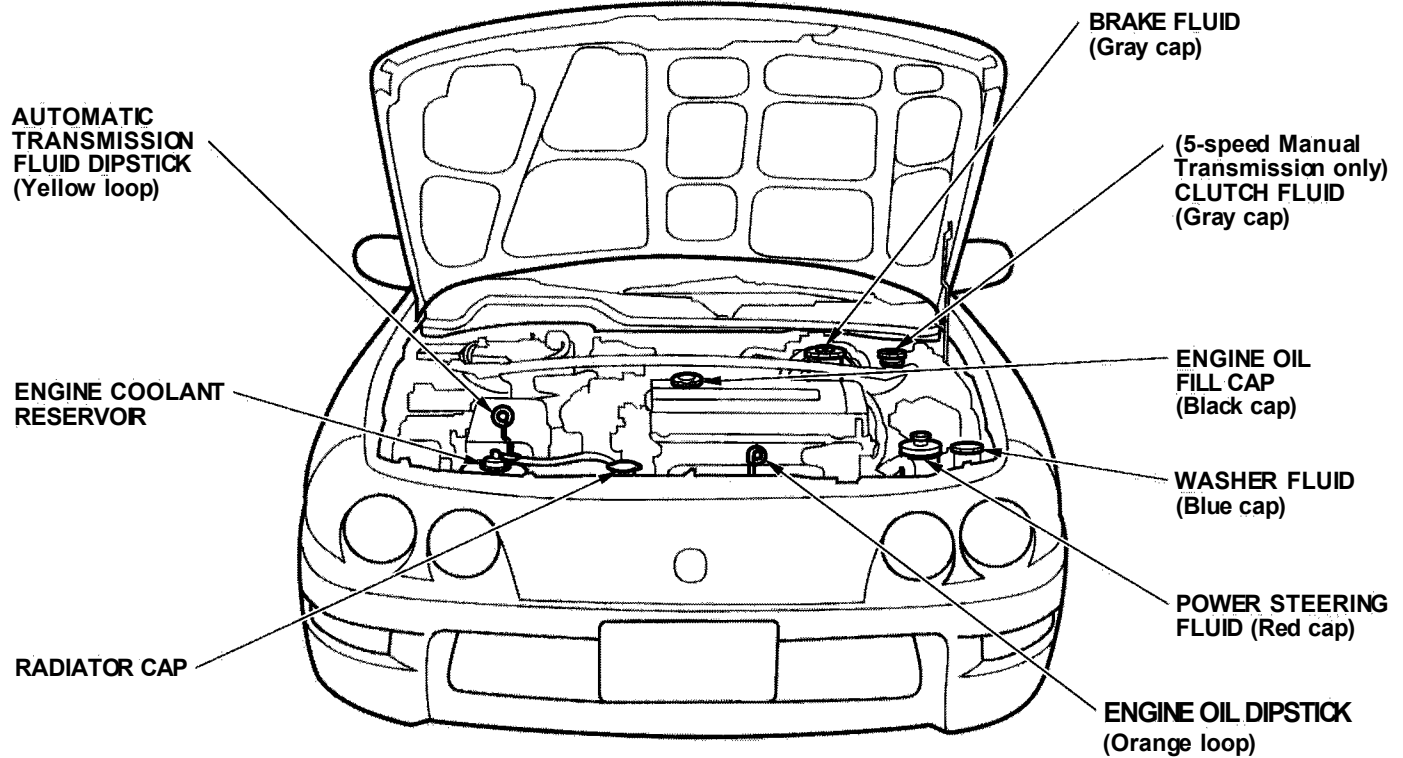
|                                                  |                           |       |
|--------------------------------------------------|---------------------------|-------|
| <b>93,750 mi</b><br>150,000 km                   | Signature or dealer stamp | mi/km |
|                                                  |                           | Date  |
| <b>97,500 mi</b><br>156,000 km<br>(or 6½ years)  |                           | mi/km |
|                                                  |                           | Date  |
| <b>101,250 mi</b><br>162,000 km                  |                           | mi/km |
|                                                  |                           | Date  |
| <b>105,000 mi</b><br>168,000 km<br>(or 7 years)  |                           | mi/km |
|                                                  |                           | Date  |
| <b>108,750 mi</b><br>174,000 km                  |                           | mi/km |
|                                                  |                           | Date  |
| <b>112,500 mi</b><br>180,000 km<br>(or 7½ years) |                           | mi/km |
|                                                  |                           | Date  |
| <b>116,250 mi</b><br>186,000 km                  |                           | mi/km |
|                                                  |                           | Date  |
| <b>120,000 mi</b><br>192,000 km<br>(or 8 years)  |                           | mi/km |
|                                                  |                           | Date  |

You should check the following items at the specified intervals. If you are unsure of how to perform any check, turn to the page given.

- Engine oil level — Check every time you fill the fuel tank. See page [127](#).
- Engine coolant level — Check the radiator reserve tank every time you fill the fuel tank. See page [128](#).
- Windshield washer fluid — Check the level in the reservoir monthly. If weather conditions cause you to use the washers frequently, check the reservoir each time you stop for fuel. See page [182](#).
- Automatic transmission — Check the fluid level monthly. See page [183](#).
- Brakes — Check the fluid level monthly. See page [185](#).
- Tires — Check the tire pressure monthly. Examine the tread for wear and foreign objects. See page [198](#).
- Lights — Check the operation of the headlights, parking lights, taillights, high-mount brake light, turn signals, brake lights, and license plate lights monthly. See page [205](#).

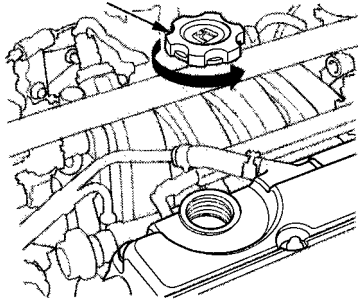
# Fluid Locations

---



## Adding Oil

**ENGINE OIL FILL CAP**



To add oil, unscrew and remove the engine oil fill cap on top of the valve cover. Pour in the oil, and install the engine oil fill cap. Tighten it securely. Wait a few minutes and recheck the oil level. Do not fill above the upper mark; you could damage the engine.

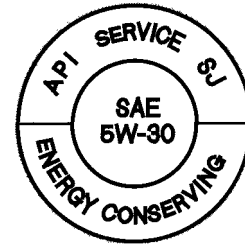
## Recommended Oil

Oil is a major contributor to your engine's performance and longevity. Always use a premium-grade detergent oil. It is highly recommended that you use Honda Motor Oil in your vehicle for as long as you own it.

You can determine an oil's SAE viscosity and Service Classification from the API Service label on the oil container.

A fuel-efficient oil is recommended for your Acura. This is shown on the API Service label by the words "Energy Conserving." This oil is formulated to help your engine use less fuel.

The API Service label also tells you the service classification of the oil. Always use an oil that is labeled "API Service SJ." This service rating may include other classifications, such as CD. These additional classifications are not a problem, as long as the label also carries the SJ classification.



**API SERVICE LABEL**

*CONTINUED*



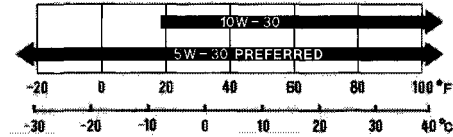
# Engine Oil

The oil container may also display the API Certification seal. Make sure it says "For Gasoline Engines."



API CERTIFICATION SEAL

The SAE numbers tell you the oil's viscosity or weight. Select the oil for your car according to this chart.



Ambient Temperature

An oil with a viscosity of 5W-30 is preferred for improved fuel economy and year-round protection in your Acura. You may use a 10W-30 oil if the temperature in your area never goes below 20°F (—7°C).

### **Synthetic Oil**

You may use a synthetic motor oil if it meets the same requirements given for conventional motor oil: energy conserving, a service classification of SJ, and the proper weight as shown on the chart. When using synthetic oil, you must follow the oil and filter change intervals given in the maintenance schedule.

### **Additives**

Your Acura does not need any oil additives. Purchasing additives for the engine or transmission will not increase your car's performance or longevity. It only increases the cost of operating your car.

### **Changing the Oil and Filter**

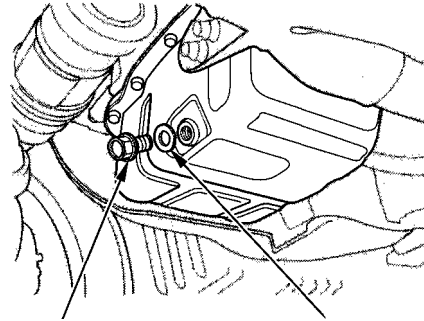
Always change the oil and filter according to the time and distance (miles/kilometers) recommendations in the maintenance schedule. The oil and filter collect contaminants that can damage your engine if they are not removed regularly.

Changing the oil and filter requires special tools and access from underneath the car. The car should be raised on a service station-type hydraulic lift for this service. Unless you have the knowledge and proper equipment, you should have this maintenance done by a skilled mechanic.

*CONTINUED*

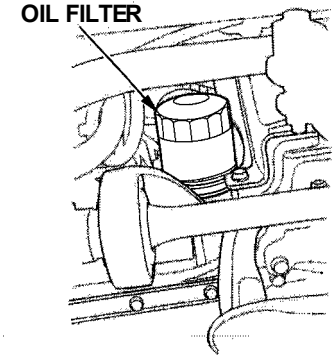
## Engine Oil

1. Run the engine until it reaches normal operating temperature, then shut it off.



**OIL DRAIN BOLT      WASHER**

2. Open the hood and remove the engine oil fill cap. Remove the oil drain bolt and washer from the bottom of the engine. Drain the oil into an appropriate container.



3. Remove the oil filter and let the remaining oil drain. A special wrench (available from your Acura dealer) is required to remove the filter.
4. Install a new oil filter according to instructions that come with it.

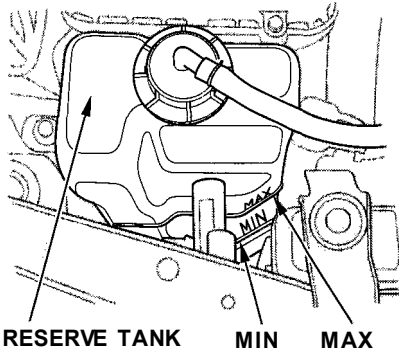
5. Put a new washer on the drain bolt, then reinstall the drain bolt. Tighten it to:  
33 lbf.ft (44 N.m , 4.5 kgf.m)
6. Refill the engine with the recommended oil.  
Engine oil change capacity (including filter):  
  
(SE, LS, GS)  
4.0 US qt (3.8 ℓ, 3.3 Imp qt)  
  
(GS-R, Type-R)  
4.2 US qt (4.0 ℓ, 3.5 Imp qt)
7. Replace the engine oil fill cap. Start the engine. The oil pressure indicator light should go out within five seconds. If it does not, turn off the engine and reinspect your work.
8. Let the engine run for several minutes and check the drain bolt and oil filter for leaks.
9. Turn off the engine, let it sit for several minutes, then check the oil level. If necessary, add oil to bring the level to the upper mark on the dipstick.

### NOTICE

*Improper disposal of engine oil can be harmful to the environment. If you change your own oil, please dispose of the used oil properly. Put it in a sealed container and take it to a recycling center. Do not discard it in a trash bin or dump it on the ground.*

# Cooling System

## Adding Engine Coolant



If the coolant level in the reserve tank is at or below the MIN line, add coolant to bring it up to the MAX line. Inspect the cooling system for leaks. This coolant should always be a mixture of 50 percent antifreeze and 50 percent water. Never add straight antifreeze or plain water.

Always use Honda All Season Antifreeze/Coolant Type 2. This coolant is pre-mixed with 50 percent antifreeze and 50 percent water. It does not require any additional mixing. If it is not available, you may use another major-brand non-silicate coolant as a temporary replacement. Make sure it is a high-quality coolant recommended for aluminum engines. However, continued use of any non-Honda coolant can result in corrosion, causing the cooling system to malfunction or fail. Have the cooling system flushed and refilled with Honda antifreeze/coolant as soon as possible.

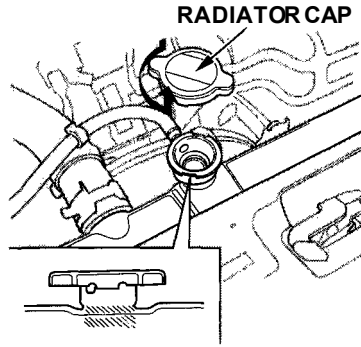
If the reserve tank is completely empty, you should also check the coolant level in the radiator.

### **WARNING**

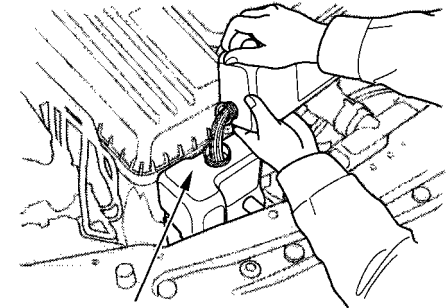
Removing the radiator cap while the engine is hot can cause the coolant to spray out, seriously scalding you.

Always let the engine and radiator cool down before removing the radiator cap.

1. Make sure the engine and radiator are cool.
2. Turn the radiator cap counterclockwise, without pressing down on it, until it stops. This relieves any pressure remaining in the cooling system.
3. Remove the radiator cap by pushing down and turning counterclockwise.



4. The coolant level should be up to the base of the filler neck. Add coolant if it is low.
5. Put the radiator cap back on. Tighten it fully.



6. Pour coolant into the reserve tank. Fill it to halfway between the MAX and MIN marks. Put the cap back on the reserve tank.

*CONTINUED*

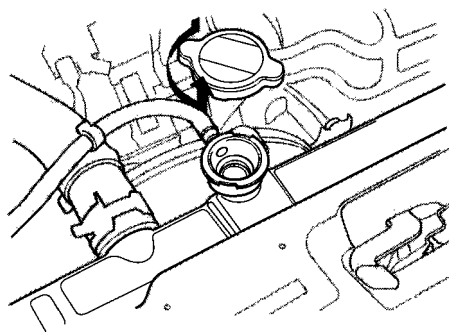
## Cooling System

Do not add any rust inhibitors or other additives to your car's cooling system. They may not be compatible with the coolant or engine components.

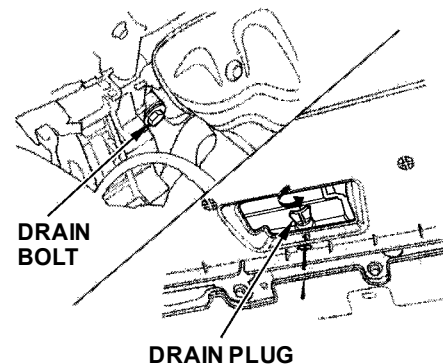
### Replacing Engine Coolant

The cooling system should be completely drained and refilled with new coolant according to the time and distance recommendations in the maintenance schedule. Only use Honda All Season Antifreeze/Coolant Type 2.

Draining the coolant requires access to the underside of the car. Unless you have the tools and knowledge, you should have this maintenance done by a skilled mechanic.

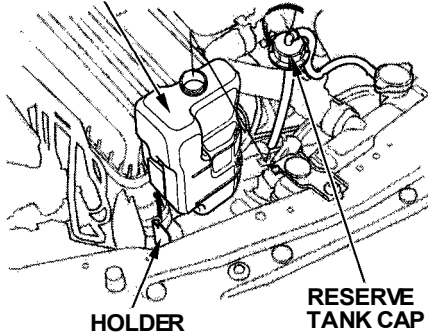


1. Turn the ignition ON (II). Slide the heater temperature control lever to maximum heat. Turn the ignition off.
2. Open the hood. Make sure the engine and radiator are cool to the touch.
3. Remove the radiator cap.



4. Loosen the drain plug on the bottom of the radiator. The coolant will drain through the splash guard. Remove the drain bolt and washer from the engine block.

RESERVE TANK



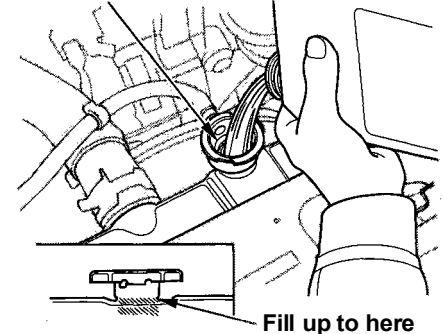
5. Remove the reserve tank from its holder by pulling it straight up. Drain the coolant, then put the tank back in its holder.

6. When the coolant stops draining, tighten the drain plug at the bottom of the radiator. Put a new washer on the drain bolt, then reinstall the drain bolt in the engine block. Tighten it securely.

Tightening torque:  
58 lbf.ft (78 N.m , 8.0 kgf.m)

7. Pour Honda All Season Antifreeze/Coolant Type 2 into the radiator up to the base of the filler neck. This coolant is a mixture of 50 percent antifreeze and 50 percent water. Pre-mixing is not required.

FILLER NECK



The cooling system capacity is:

*With 5-speed manual transmission:*  
(SE, LS, GS)  
1.16 US gal (4.4 ℓ, 0.97 Imp gal)

(GS-R, Type-R)  
1.24 US gal (4.7 ℓ, 1.03 Imp gal)

*With automatic transmission:*  
1.24 US gal (4.7 ℓ, 1.03 Imp gal)

CONTINUED



## Cooling System, Windshield Washers

---

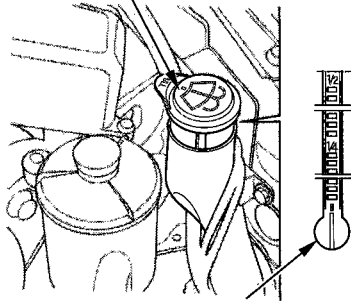
8. Start the engine and let it run for about 30 seconds. Then turn off the engine.
9. Fill the radiator with coolant up to the base of the filler neck.
10. Fill the reserve tank to the MAX mark. Install the reserve tank cap.
11. Install the radiator cap, and tighten it to the first stop.
12. Start the engine and let it run until the radiator cooling fan comes on at least twice. Then stop the engine.
13. Remove the radiator cap. Fill the radiator with coolant up to the base of the filler neck.
14. Start the engine and hold it at 1,500 rpm until the radiator fan comes on. Turn off the engine. Check the coolant level in the radiator and add coolant if needed.
15. Install the radiator cap, and tighten it fully.
16. If necessary, fill the reserve tank to the MAX mark. Install the reserve tank cap.

### Windshield Washers

Check the level in the windshield washer reservoir at least monthly during normal usage. In bad weather, when you use the washers often, check the level every time you stop for fuel. This reservoir supplies the windshield and rear window washers.

# Windshield Washers, Transmission Fluid

## WINDSHIELD WASHER RESERVOIR



LEVEL GAUGE

The windshield washer reservoir is located behind the driver's side headlight. Check the reservoir's fluid level by removing the cap and looking at the level gauge attached to the cap.

Fill the reservoir with a good-quality windshield washer fluid. This increases the cleaning capability and prevents freezing in cold weather.

When you refill the reservoir, clean the edges of the windshield wiper blades with windshield washer fluid on a clean cloth. This will help to condition the blade edges.

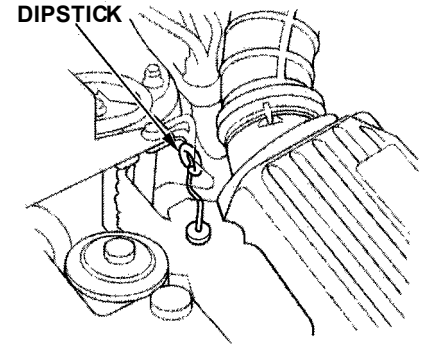
### NOTICE

*Do not use engine antifreeze or a vinegar/water solution in the windshield washer reservoir.*

*Antifreeze can damage your car's paint, while a vinegar/water solution can damage the windshield washer pump.*

*Use only commercially-available windshield washer fluid.*

## Automatic Transmission



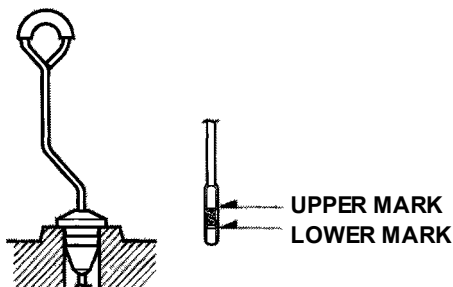
Check the fluid level with the engine at normal operating temperature.

1. Park the car on level ground. Shut off the engine.
2. Remove the dipstick (yellow loop) from the transmission and wipe it with a clean cloth.

CONTINUED

## Transmission Fluid

---



3. Insert the dipstick all the way into the transmission securely as shown in the illustration.
4. Remove the dipstick and check the fluid level. It should be between the upper and lower marks.

5. If the level is below the lower mark, add fluid into the filler hole to bring it to the upper mark.

Always use Honda ATF-Z1 (Automatic Transmission Fluid). If it is not available, you may use a DEXRON® III automatic transmission fluid as a temporary replacement. However, continued use can affect shift quality. Have the transmission flushed and refilled with Honda ATF-Z1 as soon as it is convenient.

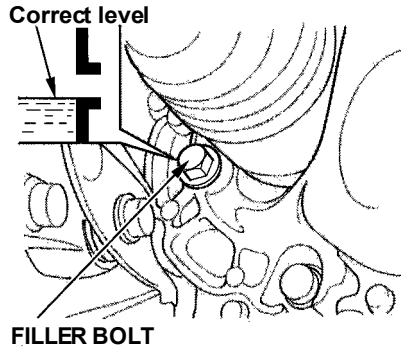
To thoroughly flush the transmission, the technician should drain and refill it with Honda ATF-Z1, then drive the vehicle a short distance. Do this three times. Then drain and refill the transmission a final time.

6. Insert the dipstick all the way back into the transmission securely as shown in the illustration.

The transmission should be drained and refilled with new fluid according to the time and distance recommendations in the maintenance schedule.

# Transmission Fluid, Brake and Clutch Fluid

## 5-speed Manual Transmission



Check the fluid level with the transmission at normal operating temperature and the car sitting on level ground. Remove the transmission filler bolt and carefully feel inside the bolt hole with your finger. The fluid level should be up to the edge of the bolt hole. If it is not, add Honda Manual Transmission Fluid (MTF) until it starts to run out of the hole. Reinstall the filler bolt and tighten it securely.

If Honda MTF is not available, you may use an API service SG, SH or SJ grade motor oil with a viscosity of SAE10W-30 or 10W-40 as a temporary replacement. An SG grade is preferred, but an SH or SJ grade may be used if SG is not available. However, motor oil does not contain the proper additives and continued use can cause stiffer shifting. Replace as soon as it is convenient.

The transmission should be drained and refilled with new fluid according to the time and distance recommendations in the maintenance schedule.

## Brake and Clutch Fluid

Check the fluid level in the reservoirs monthly. There are up to two reservoirs, depending on the model. They are:

- Brake fluid reservoir (all models)
- Clutch fluid reservoir (manual transmission only)

The brake fluid should be replaced according to the time recommendation in the maintenance schedule.

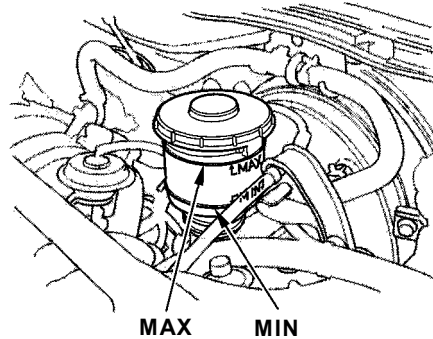
*CONTINUED*

## Brake and Clutch Fluid

Always use Honda Heavy Duty Brake Fluid DOT 3. If it is not available, you should use only DOT 3 or DOT 4 fluid, from a sealed container, as a temporary replacement. However, the use of any non-Honda brake fluid can cause corrosion and decrease the life of the system. Have the brake system flushed and refilled with Honda Heavy Duty Brake Fluid DOT 3 as soon as possible.

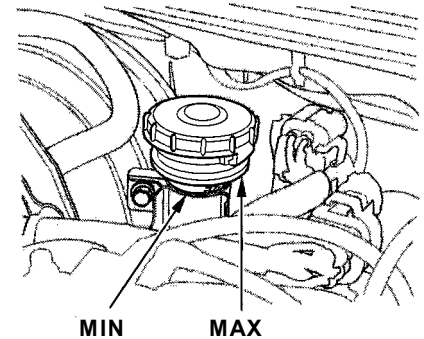
Brake fluid marked DOT 5 is not compatible with your car's braking system and can cause extensive damage.

### Brake System



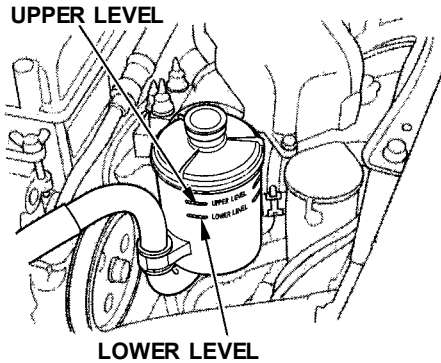
The fluid level should be between the MIN and MAX marks on the side of the reservoir. If the level is at or below the MIN mark, your brake system needs attention. Have the brake system inspected for leaks or worn brake pads.

### Clutch System



The fluid should be between the MIN and MAX marks on the side of the reservoir. If it is not, add brake fluid to bring it up to that level. Use the same fluid specified for the brake system.

Low fluid level can indicate a leak in the clutch system. Have this system inspected as soon as possible.



Check the level when the engine is cold. Look at the side of the reservoir. The fluid should be between the UPPER LEVEL and LOWER LEVEL. If it is below the LOWER LEVEL, add power steering fluid to the UPPER LEVEL.

Always use Honda Power Steering Fluid. If it is not available, you may use another power steering fluid as an emergency replacement. However, continued use can cause increased wear and poor steering in cold weather. Have the power steering system flushed and refilled with Honda PSF as soon as possible.

A low power steering fluid level can indicate a leak in the system. Check the fluid level frequently and have the system inspected as soon as possible.

### NOTICE

*Turning the steering wheel to full left or right lock and holding it there can damage the power steering pump.*

## Air Cleaner Element

The air cleaner element should be cleaned or replaced according to the time and distance recommendations in the maintenance schedule.

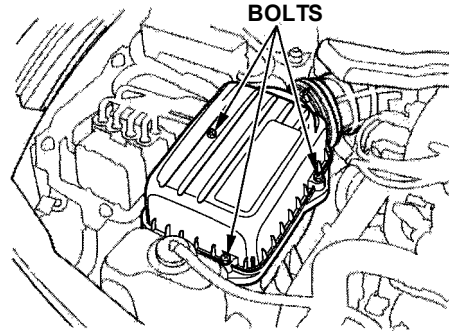
### Cleaning (Severe Conditions)

Clean the air cleaner element by blowing compressed air through it in the opposite direction to normal air flow. If you do not have access to compressed air (such as a service station), ask your Acura dealer to do this service.

Follow the replacement procedure for removal and reinstallation.

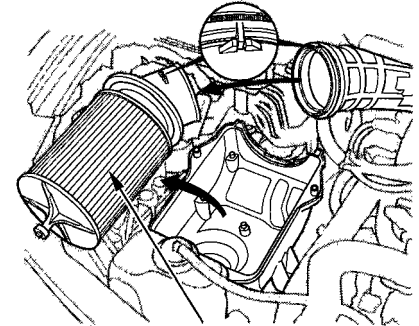
### Replacement

The air cleaner element is inside the air cleaner housing on the passenger's side of the engine compartment.



To replace it:

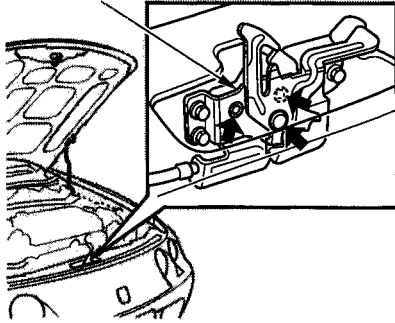
1. Loosen the three bolts and remove the air cleaner housing cover.
2. Lift up the old air cleaner element and pull it out of the duct.
3. Carefully clean the inside of the air cleaner housing with a damp rag.



4. Attach the new air cleaner element to the duct. Make sure the tab on the duct fits in the notch on the air cleaner element. Install the new air cleaner element in the air cleaner housing correctly placing the square part of the flange on the element in the mating recess on the housing.
5. Reinstall the air cleaner housing cover, and tighten the three bolts.

### Hood Latch

LATCH ASSEMBLY

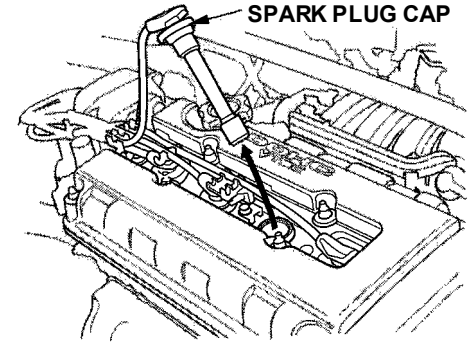


Clean the hood latch assembly with a mild cleaner, then lubricate it with a multipurpose grease. Lubricate all the moving parts (as shown), including the pivot. Follow the time and distance recommendations in the Maintenance Schedule. If you are not sure how to clean and grease the latch, contact your Acura dealer.

### Spark Plugs

The spark plugs in your car are a special platinum-tipped design for longer life. They need to be replaced every 7 years or 105,000 miles (168,000 km), whichever comes first.

### Replacement

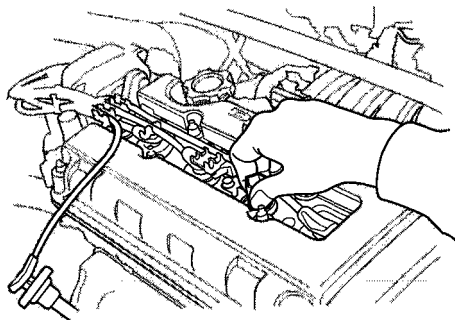


1. GS-R and Type-R only:  
Remove the four nuts, then remove the plug wire cover.
2. Clean up any dirt and oil around the spark plug caps.
3. Remove the spark plug cap by pulling it straight out.

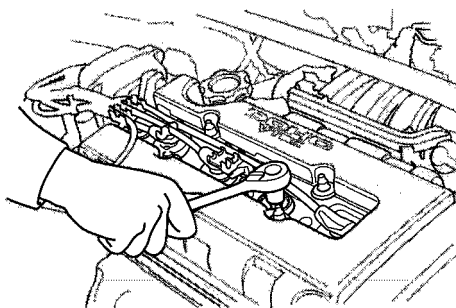
CONTINUED



## Spark Plugs



4. Remove the spark plug with a five-eighths inch (16 mm) spark plug socket.
5. Put the new spark plug into the socket; then screw it into the hole. Screw it in by hand so you do not crossthead it.



6. Torque the spark plug. (If you do not have a torque wrench, tighten the spark plug two-thirds of a turn after it contacts the cylinder head.)  
Tightening torque:  
13 lbf.ft (18 N.m, 1.8 kgf.m)

### NOTICE

*Tighten the spark plugs carefully. A spark plug that is too loose can overheat and damage the engine. Overtightening can cause damage to the threads in the cylinder head.*

7. Install the spark plug cap.
8. Repeat this procedure for the other three spark plugs.

(GS-R and Type-R)  
Reinstall the plug wire cover, and tighten the four nuts.

### Specifications

(SE, LS, GS)

NGK: PZFR5F-11  
DENSO: PKJ16CR-L11

Plug Gap:

0.04 in (1.1 mm<sup>+0</sup><sub>-0.1mm</sub>)

(GS-R)

NGK: PFR6G-13  
DENSO: PK20PR-L13

Plug Gap:

0.05 in (1.3 mm<sup>+0</sup><sub>-0.1mm</sub>)

(Type-R)

NGK: PFR6G-11  
DENSO: PK20PR-L11

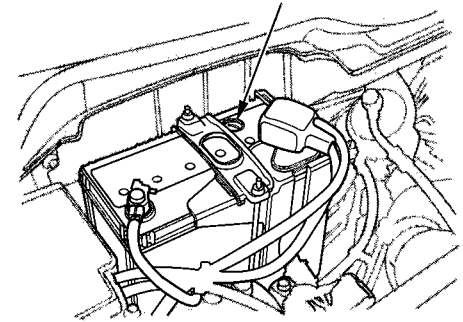
Plug Gap:

0.04 in (1.1 mm<sup>+0</sup><sub>-0.1mm</sub>)

### Battery

Check the condition of your car's battery monthly. You should check the color of the test indicator window, and for corrosion on the terminals.

TEST INDICATOR WINDOW



Check the battery condition by looking at the test indicator window on the battery. The label on the battery explains the test indicator's colors.

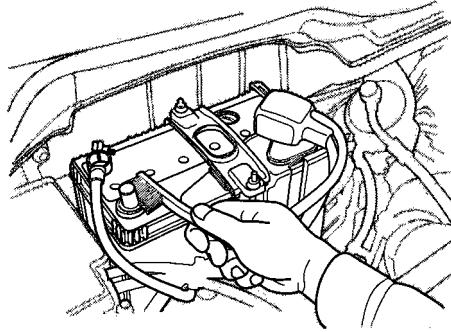
CONTINUED

## Battery

---

Check the battery terminals for corrosion (a white or yellowish powder). To remove it, cover the terminals with a solution of baking soda and water. It will bubble up and turn brown. When this stops, wash it off with plain water. Dry off the battery with a cloth or paper towel. Coat the terminals with grease to help prevent future corrosion.

**WARNING:** Battery posts, terminals and related accessories contain lead and lead compounds. **Wash hands after handling.**



If the terminals are severely corroded, clean them with baking soda and water. Then use a wrench to loosen and remove the cables from the terminals. Always disconnect the negative ( — ) cable first and reconnect it last. Clean the battery terminals with a terminal cleaning tool or wire brush. Reconnect and tighten the cables, then coat the terminals with grease.

If you need to connect the battery to a charger, disconnect both cables to prevent damage to the car's electrical system.

### **WARNING**

The battery gives off explosive hydrogen gas during normal operation.

A spark or flame can cause the battery to explode with enough force to kill or seriously hurt you.

Wear protective clothing and a face shield, or have a skilled mechanic do the battery maintenance.

### **NOTICE**

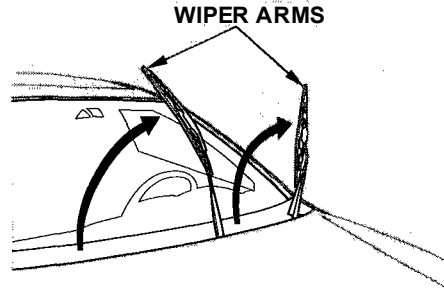
*Charging the battery with the cables connected can seriously damage your car's electronic controls. Detach the battery cables before connecting the battery to a charger.*

If your car's battery is disconnected or goes dead, the audio system will disable itself. The next time you turn on the radio you will see "Code" in the frequency display. Use the Preset buttons to enter the five-digit code (see page [119](#)).

## Wiper Blades

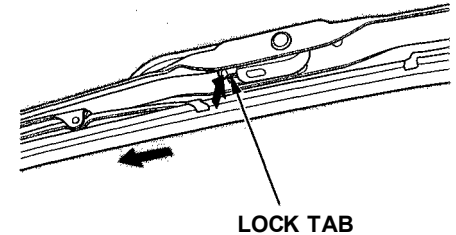
---

Check the condition of the wiper blades at least every six months. Look for signs of cracking in the rubber, or areas that are getting hard. Replace the blades if you find these signs, or they leave streaks and unwiped areas when used.

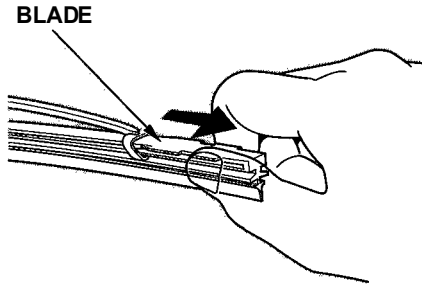


To replace the blade:

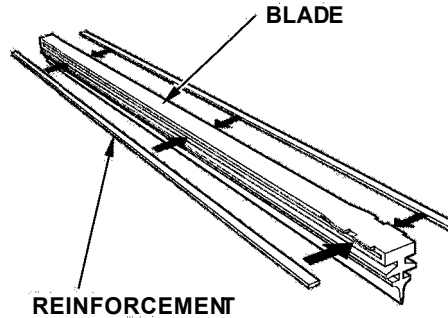
1. Raise the wiper arm off the windshield.



2. Disconnect the blade assembly from the wiper arm by pushing in the lock tab. Hold it in while you push the blade assembly toward the base of the arm.



3. Remove the blade from its holder by grasping the tabbed end of the blade. Pull firmly until the tabs come out of the holder.



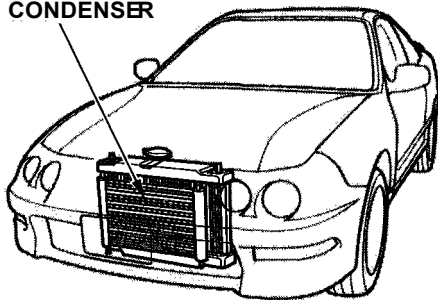
4. Examine the new wiper blades. If they have no plastic or metal reinforcement along the back edge, remove the metal reinforcement strips from the old wiper blade and install them in the slots along the edge of the new blade.

5. Slide the new wiper blade into the holder until the tabs lock.
6. Slide the wiper blade assembly onto the wiper arm. Make sure it locks in place.
7. Lower the wiper arm down against the windshield.

## Air Conditioning System

*Optional for Canadian Type-R model*  
Your car's air conditioning is a sealed system. Any major maintenance, such as recharging, should be done by a qualified mechanic. You can do a couple of things to make sure the air conditioning works efficiently.

**AIR CONDITIONING  
CONDENSER**



Periodically check the engine's radiator and air conditioning condenser for leaves, insects, and dirt stuck to the front surface. These block the air flow and reduce cooling efficiency. Use a light spray from a hose or a soft brush to remove them.

### NOTICE

*The condenser and radiator fins bend easily. Only use a low-pressure spray or soft-bristle brush to clean them.*

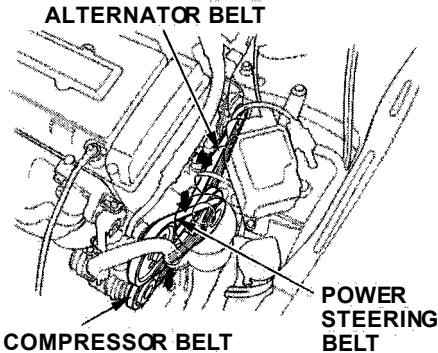
Run the air conditioning at least once a week during the cold weather months. Run it for at least ten minutes while you are driving at a steady speed with the engine at normal operating temperature. This circulates the lubricating oil contained in the refrigerant.

If the air conditioning does not get as cold as before, have your dealer check the system. Recharge the system with Refrigerant HFC-134a (R-134a). (See Specifications on page [254](#).)

### NOTICE

*Whenever you have the air conditioning system serviced, make sure the service facility uses a refrigerant recycling system. This system captures the refrigerant for reuse. Releasing refrigerant into the atmosphere can damage the environment.*

### Drive Belts



Check the condition of the two or three drive belts. Examine the edges of each belt for cracks or fraying. Check the tension of each belt by pushing on it with your thumb midway between the pulleys.

The belts should have the following "play" or deflection.

Alternator belt:

0.35 — 0.43 in (9.0 — 11.0 mm)

Power steering belt:

0.45 — 0.53 in (11.5 — 13.5 mm)

Compressor belt

(On cars with A/C):

0.30 — 0.37 in (7.5 — 9.5 mm)

If you see signs of wear or looseness, have your dealer adjust or replace the belts.

### Timing Belt

The timing belt should normally be replaced at the intervals shown in the maintenance schedule.

Replace this belt at 60,000 miles (U.S.) or 100,000 km (Canada) if you regularly drive your car in one or more of these conditions:

- In very high temperatures (over 110°F, 43°C).
- In very low temperatures (under —20°F, —29°C).



# Tires

---

To safely operate your car, your tires must be the proper type and size, in good condition with adequate tread, and correctly inflated. The following pages give more detailed information on how and when to check air pressure, how to inspect your tires for damage and wear, and what to do when your tires need to be replaced.

## WARNING

Using tires that are excessively worn or improperly inflated can cause a crash in which you can be seriously hurt or killed.

Follow all instructions in this owner's manual regarding tire inflation and maintenance.

## Inflation

Keeping the tires properly inflated provides the best combination of handling, tread life and riding comfort. Underinflated tires wear unevenly, adversely affect handling and fuel economy, and are more likely to fail from being overheated. Overinflated tires can make your car ride more harshly, are more prone to damage from road hazards, and wear unevenly.

We recommend that you visually check your tires every day. If you think a tire might be low, check it immediately with a tire gauge.

Use a gauge to measure the air pressure at least once a month. Even tires that are in good condition may lose one to two psi (10 to 20 kPa, 0.1 to 0.2 kgf/cm<sup>2</sup>) per month. Remember to check the spare tire at the same time you check all the other tires.

Check the pressure in the tires when they are cold. This means the car has been parked for at least three hours. If you have to drive the car before checking the tire pressure, the tires can still be considered "cold" if you drive less than 1 mile (1.6km).

If you check the pressure when the tires are hot (the car has been driven several miles), you will see readings 4 to 6 psi (30 to 40 kPa, 0.3 to 0.4 kgf/cm<sup>2</sup>) higher than the cold reading. This is normal. Do not let air out to match the specified cold pressure. The tire will be underinflated.

You should get your own tire pressure gauge and use it whenever you check your tire pressures. This will make it easier for you to tell if a pressure loss is due to a tire problem and not due to a variation between gauges.

## Recommended Tire Pressures for Normal Driving

The following chart shows the recommended cold tire pressures for most normal driving conditions and speeds. Tire pressures for high speed driving are the same as for normal driving.

### (SE)

| Tire Size      | Cold Tire Pressure for Normal Driving                         |
|----------------|---------------------------------------------------------------|
| P195/60R14 85H | Front/Rear:<br>29 psi (200 kPa ,<br>2.0 kgf/cm <sup>2</sup> ) |

### (LS, GS, GS-R)

| Tire Size      | Cold Tire Pressure for Normal Driving                                                                               |
|----------------|---------------------------------------------------------------------------------------------------------------------|
| P195/55R15 84V | Front:<br>35 psi (240 kPa ,<br>2.4 kgf/cm <sup>2</sup> )<br>Rear:<br>33 psi (230 kPa ,<br>2.3 kgf/cm <sup>2</sup> ) |

### (Type-R)

| Tire Size     | Cold Tire Pressure for Normal Driving                                                                               |
|---------------|---------------------------------------------------------------------------------------------------------------------|
| 195/55R15 84V | Front:<br>35 psi (240 kPa ,<br>2.4 kgf/cm <sup>2</sup> )<br>Rear:<br>33 psi (230 kPa ,<br>2.3 kgf/cm <sup>2</sup> ) |

The compact spare tire pressure is: 60 psi (420 kPa , 4.20 kgf/cm<sup>2</sup>)

These pressures are also given on the tire information label on the driver's doorjamb.

Tubeless tires have some ability to self-seal if they are punctured. However, because leakage is often very slow, you should look closely for punctures if a tire starts losing pressure.

## Inspection

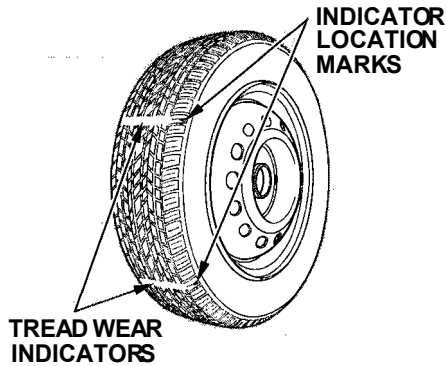
Every time you check inflation, you should also examine the tires for damage, foreign objects, and wear.

You should look for:

- Bumps or bulges in the tread or side of the tire. Replace the tire if you find either of these conditions.
- Cuts, splits, or cracks in the side of the tire. Replace the tire if you can see fabric or cord.
- Excessive tread wear.

CONTINUED

# Tires



Your car's tires have wear indicators molded into the tread. When the tread wears down to that point, you will see a 1/2 inch (12.7 mm) wide band running across the tread. This shows there is less than 1/16 inch (1.6 mm) of tread left on the tire. A tire that is this worn gives very little traction on wet roads. You should replace the tire if you can see the tread wear indicator in three or more places around the tire.

## Maintenance

In addition to proper inflation, correct wheel alignment helps to decrease tire wear. If you find a tire is worn unevenly, have your dealer check the wheel alignment.

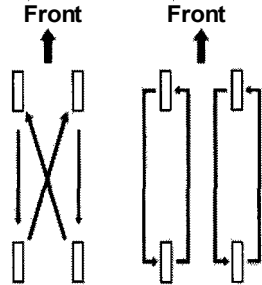
The tires were properly balanced by the factory. They may need to be rebalanced at some time before they are worn out. Have your dealer check the tires if you feel a consistent vibration while driving. A tire should always be rebalanced if it is removed from the wheel for repair.

Make sure the installer balances the wheels when you have new tires installed. This increases riding comfort and tire life. Your car's original tires were dynamic or "spin" balanced at the factory. For best results, have the installer perform a dynamic balance.

## NOTICE

*(Only on cars equipped with aluminum wheels)  
Improper wheel weights can damage your car's aluminum wheels. Use only Genuine Acura wheel weights for balancing.*

## Tire Rotation



(For Non-directional tires and Wheels) (For Directional Tires and Wheels)

To help increase tire life and distribute wear more evenly, you should have the tires rotated every 7,500 miles (12,000 km). Move the tires to the positions shown in the chart each time they are rotated.

When shopping for replacement tires, you may find that some tires are "directional." This means they are designed to rotate only in one direction. If you use directional tires, they should be rotated only front-to-back.

## Tire Wear

*Type-R model only*

The tires on your Type-R were designed and constructed to provide superior grip during acceleration, braking, and cornering. They will wear more rapidly than normal passenger vehicle tires. Tire life may be less than 15,000 miles (24,000 km), depending on how you drive.

You should carefully inspect your vehicle's tires for wear, damage, and proper inflation every 2,000 miles (3,200 km), see page [199](#).

These tires are not suitable for winter driving. Refer to **Winter Driving**, page [203](#).

# Tires

---

## Replacing Tires and Wheels

The tires that came with your car were selected to match the performance capabilities of the car while providing the best combination of handling, ride comfort, and long life. You should replace them with radial tires of the same size, load range, speed rating, and maximum cold tire pressure rating (as shown on the tire's sidewall). Mixing radial and bias-ply tires on your car can reduce its braking ability, traction, and steering accuracy.

### **WARNING**

Installing improper tires on your car can affect handling and stability. This can cause a crash in which you can be seriously hurt or killed.

Always use the size and type of tires recommended in this owner's manual.

It is best to replace all four tires at the same time. If that is not possible or necessary, then replace the two front tires or the two rear tires as a pair. Replacing just one tire can seriously affect your car's handling.

The ABS works by comparing the speed of the wheels. When replacing tires, use the same size originally supplied with the car. Tire size and construction can affect wheel speed and may cause the system to work inconsistently.

If you ever need to replace a wheel, make sure the wheel's specifications match those of the original wheel that came on your car. Replacement wheels are available at your Acura dealer.

## Wheels and Tires

Wheels:

(SE)  
14x51/2JJ

(LS,GS,GS-R,Type-R)  
15x6JJ

Tires:

(SE)  
P195/60R1485H

(LS, GS, GS-R)  
P195/55R1584V

(Type-R)  
195/55R1584V

See page [256](#) for information about DOT Tire Quality Grading.

## Winter Driving

*SE, LS, GS and GS-R models*  
Tires that are marked "M+S" or "All Season" on the sidewall have an all-weather tread design. They should be suitable for most winter driving conditions. Tires without these markings are designed for optimum traction in dry conditions. They may not provide adequate performance in winter driving. For the best performance in snowy or icy conditions, you should install snow tires or tire chains. They may be required by local laws under certain conditions.

*Type-R model*  
You should mount winter tires on your Type-R before winter starts (before consistent sub-freezing temperatures). Change back to "summer" tires after winter weather has stopped.

CONTINUED

# Tires

---

## **Snow Tires**

*SE, LS, GS and GS-R models*

If you mount snow tires on your Acura, make sure they are radial tires of the same size and load range as the original tires. Mount snow tires on all four wheels to balance your car's handling in all weather conditions. Keep in mind the traction provided by snow tires on dry roads may not be as high as your car's original equipment tires. You should drive cautiously even when the roads are clear. Check with the tire dealer for maximum speed recommendations.

*Type-R model*

Mount winter tires on all four wheels. The performance capabilities of the winter tires may not be the same as your vehicle's original-equipment tires. Check with the tire dealer for maximum speed recommendations.

## **Tire Chains**

Mount traction devices (link-type or cable-type) only when required by driving conditions or local laws. Make sure they are the correct size for your tires. Install them only on the front tires.

*SE model*

If link-type traction devices are used, they must be SAE class "S". Cable-type traction devices can also be used.

*LS, GS, GS-R, and Type-R models*

Because your Acura has limited tire clearance, mount only SAE class "S" cable-type traction devices.

Link-type "chains" should not be used. No matter how tight they seem to be installed, they can come into contact with the body and suspension, causing serious damage.

## **All Models**

When installing traction devices, follow the manufacturer's instructions and mount them as tightly as you can. Drive slowly with them installed. If you hear them coming in contact with the body or chassis, stop and investigate. Make sure the traction devices are installed tightly, and that they are not contacting the brakes or suspension.

Remove them as soon as you start driving on cleared roads.

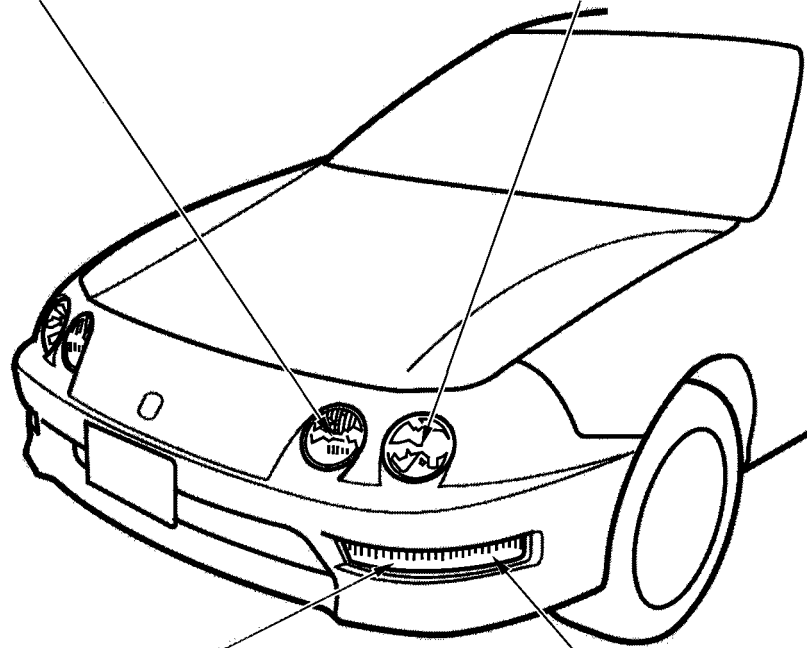
### **NOTICE**

*Traction devices that are the wrong size or improperly installed can damage your car's brake lines, suspension, body, and wheels. Stop driving if they are hitting any part of the car.*

Check the operation of your car's exterior lights at least once a month. A burned out bulb can create an unsafe condition by reducing your car's visibility and the ability to signal your intentions to other drivers.

HEADLIGHT HIGH BEAM

HEADLIGHT LOW BEAM



PARKING/TURN SIGNAL LIGHT

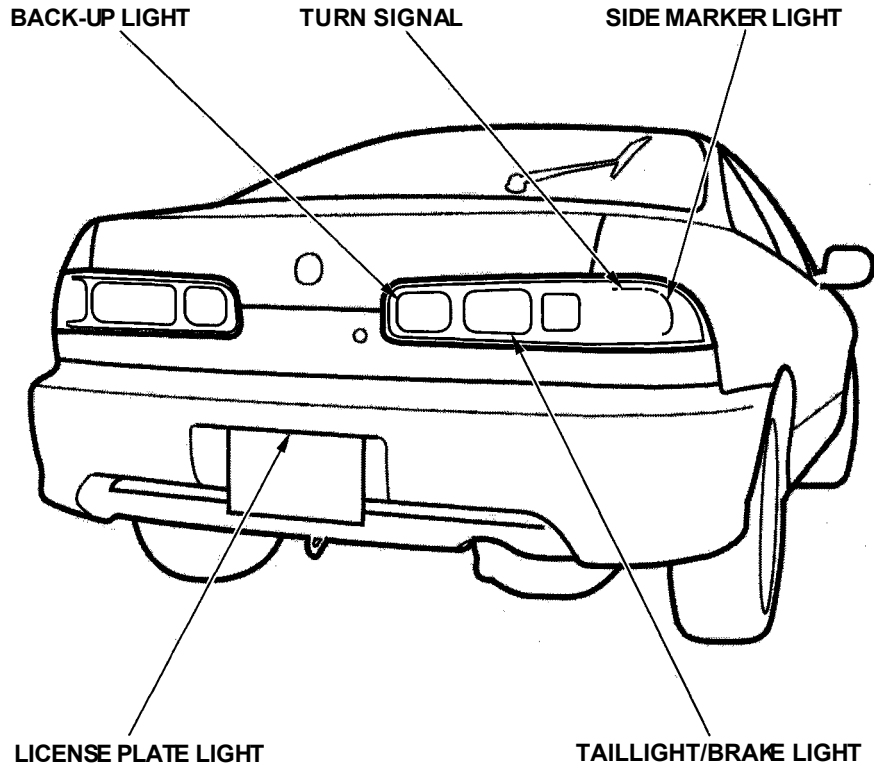
SIDE MARKER LIGHT

CONTINUED



# Lights

---



Check the following:

- Headlights (low and high beam)
- Parking lights
- Taillights
- Brake lights
- High-mount brake light
- Turn signals
- Back-up lights
- Hazard light function
- License plate light
- Side marker lights
- Daytime running lights (Canadian models)

If you find any bulbs are burned out, replace them as soon as possible. Refer to the chart on page [255](#) to determine what type of replacement bulb is needed.

## Headlight Aiming

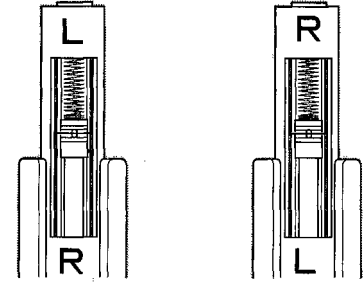
The headlights were properly aimed when your car was new. You should check their aim if you regularly carry heavy items in the cargo area or pull a trailer. Each headlight assembly has horizontal and vertical adjustment indicators. These are set to their "0" positions after the headlights are aimed at the factory.

To check these settings:

1. Make sure the fuel tank is full. Park the car on level ground.
2. The driver or someone who weighs the same should be sitting in the driver's seat for all checks and adjustments. Load your vehicle with the items you normally carry.

If you usually pull a trailer, load it as you would normally and attach it to the car. Push down on the front and rear bumpers several times to make sure the car is sitting normally.

## HORIZONTAL ANGLE GAUGE



Left headlight

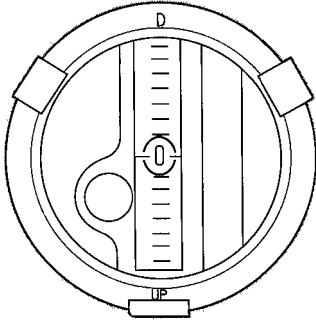
Right headlight

3. Open the hood.
4. Check the horizontal angle gauge. The line on the adjustment screw indicator should line up with the "0" mark on the gauge.

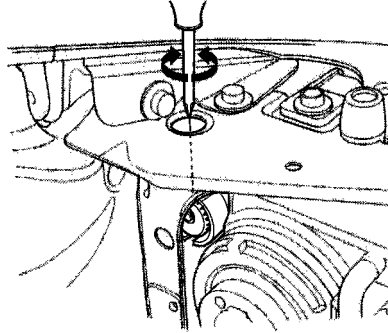
CONTINUED

# Lights

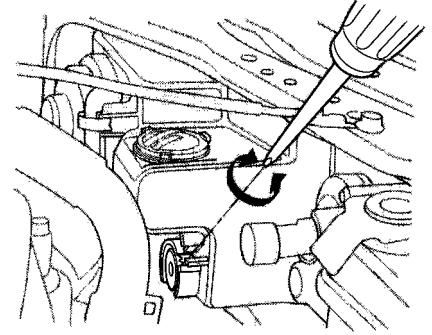
**VERTICAL ANGLE GAUGE**



**HORIZONTAL ADJUSTMENT**



**VERTICAL ADJUSTMENT**



5. Check the vertical angle gauge. The bubble should be centered underneath the longest scribe mark on the gauge.

6. If either indicator is not aligned with its "0" mark as described, an adjustment can be made using a Phillips-head screwdriver to realign it with the "0" mark. Please refer to the illustrations.

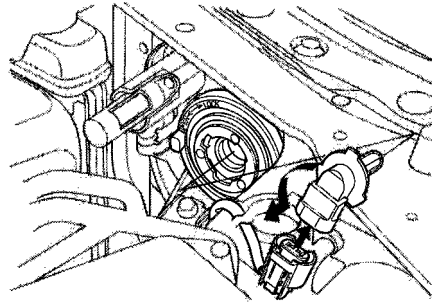
7. If you cannot get an indicator to align, have your Acura dealer inspect the car for body damage or suspension problems.

## Replacing a Headlight Bulb

Your car has two bulbs on each side, four in total. Make sure you are replacing the bulb that is burned out. Your car uses halogen headlight bulbs. When replacing a bulb, handle it by its plastic case and protect the glass from contact with your skin or hard objects. If you touch the glass, clean it with denatured alcohol and a clean cloth.

### NOTICE

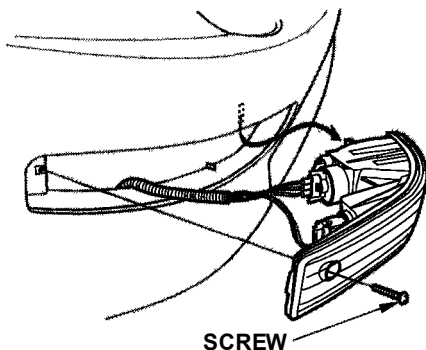
*Halogen headlight bulbs get very hot when lit. Oil, perspiration, or a scratch on the glass can cause the bulb to overheat and shatter.*



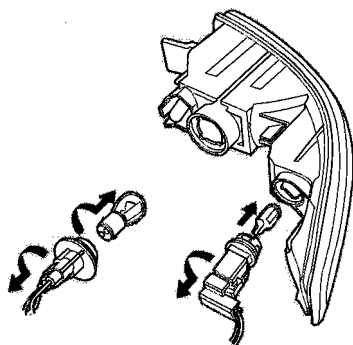
1. Open the hood.  
If you need to change the high beam headlight bulb on the passenger's side, remove the radiator reserve tank by pulling it straight up.
2. To disconnect the bulb from the electrical harness, push on the end of the lock tab to release the connector then push the connector straight down.
3. Turn the bulb about one-eighth turn counterclockwise to unlock it from the headlight assembly.
4. Remove the bulb by pulling it straight out of its recess.
5. Align the tabs on the new bulb with the slots in the headlight assembly and push it into place.
6. Turn the bulb clockwise to lock it in place. Do not force it. Check the seating of the bulb's tabs in the slots if the bulb will not return to its original position.
7. Reinstall the harness connector on the bulb connector. Make sure it locks in place.  
Turn on the headlights to test the new bulb.
8. (Passenger's side)  
Reinstall the radiator reserve tank.

## Lights

### Replacing Front Turn Signal/ Parking and Side Marker Light Bulbs



1. Use a Phillips-head screwdriver to loosen the light assembly's mounting screw.
2. Remove the light assembly from the bumper.

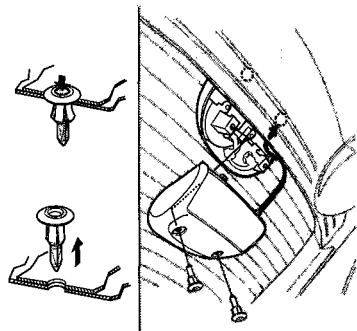


3. Remove the socket of the burned-out bulb from the light assembly by turning it one-quarter turn counterclockwise.
4. To remove the front bulb, push it in slightly and turn it counterclockwise. To remove the side bulb, pull it straight out of its socket.

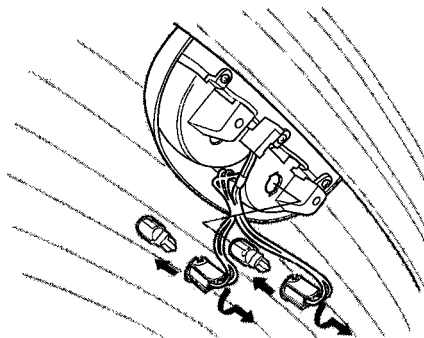
5. Install the new bulb in the socket.
6. Insert the socket back into the light assembly. Turn it clockwise to lock it in place.
7. Test the lights to make sure the new bulb is working.
8. Put the light assembly into the bumper. Make sure the tab on the light assembly fits into the bumper slot. Tighten the mounting screw.

## Replacing a High-mount Brake Light Bulb

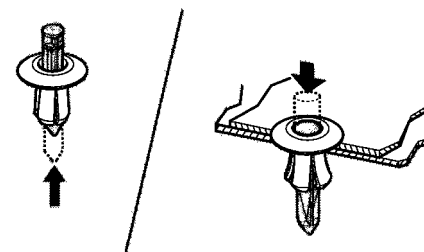
*LS model*



1. Undo the cover fasteners by pushing on the center of each fastener's head until it pops in. Remove the cover.
2. Determine which bulb is burned out.



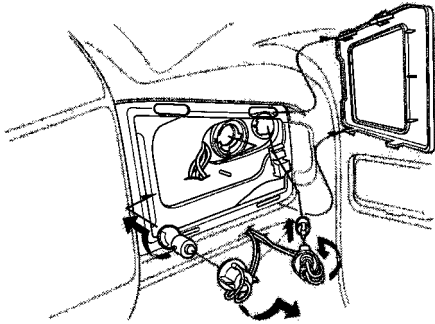
3. Pull the bulb straight out of its socket. Push the new bulb straight into the socket until it bottoms.
4. Test the lights to make sure the new bulb is working.



5. Reset each fastener by pushing on the pointed end until it pops back almost flush with the fingers on the housing.
6. Reinstall the cover. Secure each fastener by pushing on the center until it locks (the center is flush with the head).

# Lights

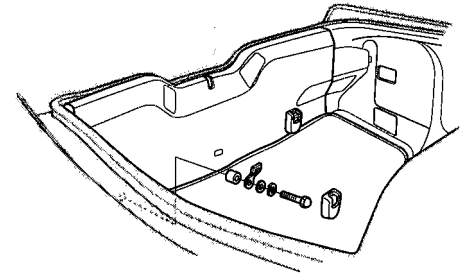
## Replacing Rear Turn Signal and Side Marker Light Bulbs



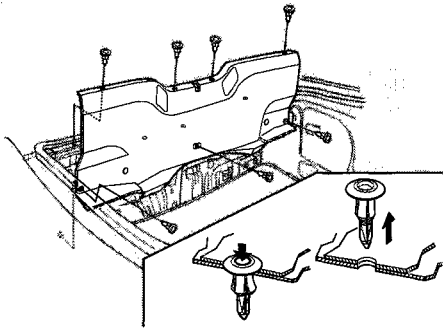
1. Open the hatch and remove the light assembly cover by pulling the edge.
2. Remove the socket from the light assembly by turning it one-quarter turn counterclockwise.

3. If the turn signal light bulb is burned out, remove it by pushing it in and turning counterclockwise. If the side marker light bulb is burned out, remove it by pulling it straight out of its socket.
4. Install the new bulb in the reverse order of removal.
5. Push the socket into the light assembly and turn it clockwise until it locks.
6. Test the lights to make sure the new bulb is working.
7. Install the light assembly cover. Make sure it locks in place.

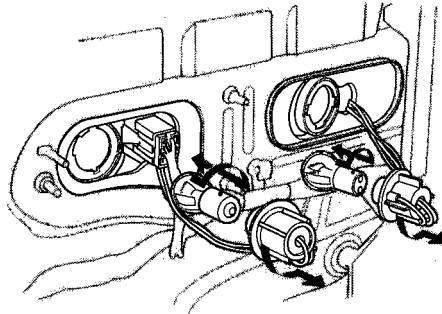
## Replacing Tail/Stoplight and Back-up Light Bulbs



1. Open the hatch. Remove the tether hardware cover with a small flat-tip screwdriver and tether anchor plate with a wrench by turning the bolt counterclockwise. When reinstalling tether hardware, see **Protecting Children** on page 41.  
*On Type-R model*  
You cannot replace these bulbs yourself, contact your Acura dealer.



2. Undo the seven cover fasteners by pushing on the center of each fastener's head until it pops in. Remove the taillight cover panel.



3. Remove the socket by turning it one-quarter turn counterclockwise.

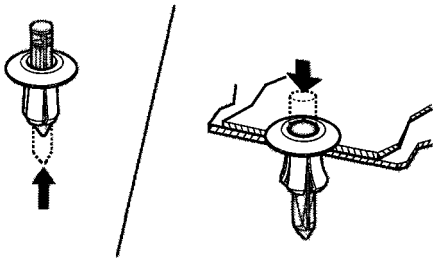
4. Try the tail/stoplights and back-up light to verify which bulb needs replacing. Remove the bulb by turning it counterclockwise.
5. Install the new bulb in the socket. Test it to make sure it works.
6. Reinstall the socket into the light assembly.
7. Reinstall the tether anchor hardware. Make sure the toothed washer is on the bottom of the bolt. Tighten the bolt to:  
16 lbf.ft (22 N.m, 2.2 kgf.m)

If a torque wrench was not used, see your Acura dealer as soon as possible to verify proper installation.

CONTINUED

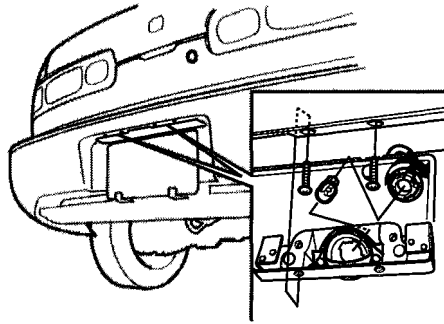


## Lights



8. Reset each fastener by pushing on the pointed end until it pops back almost flush with the fingers on the housing.
9. Reinstall the cover. Secure each fastener by pushing on the center until it locks (the center is flush with the head).

### Replacing a Rear License Plate Bulb



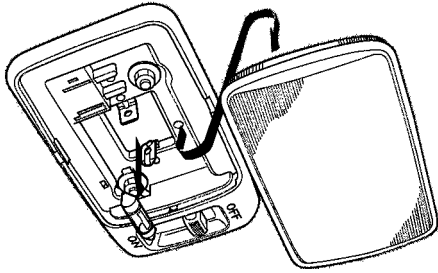
1. Remove the two screws and remove the license plate light assembly.
2. Remove the socket from the light assembly by turning it one-quarter turn counterclockwise.
3. Pull the bulb straight out of its socket. Push the new bulb in until it bottoms in the socket.

4. Turn on the parking lights and check that the new bulb is working.
5. Reinstall the license light assembly. Install the two screws and tighten them securely.

## Replacing Ceiling, Spot and Cargo Area Light Bulbs

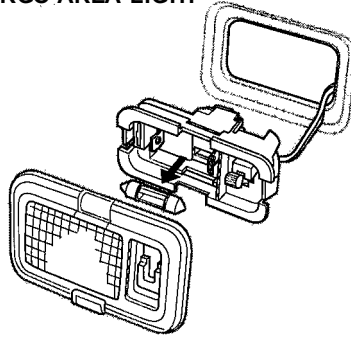
The ceiling, spot and cargo area lights come apart the same way. They do not use the same type of bulb.

### CEILING LIGHT



1. Remove the lens by carefully prying on the edge of the lens with a fingernail file or a small flat-tip screwdriver. Do not pry on the edge of the housing around the lens.

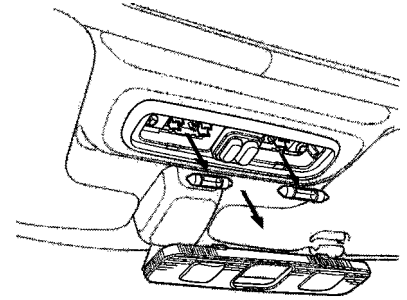
### CARGO AREA LIGHT



2. Remove the bulb by pulling it straight out of its metal tabs.
3. Push the new bulb into the metal tabs. Snap the lens back in place.

*LS, GS and GS-R models*

### SPOTLIGHTS



## Storing Your Car

---

If you need to park your car for an extended period (more than one month), there are several things you should do to prepare it for storage. Proper preparation helps prevent deterioration and makes it easier to get your car back on the road. If possible, store your car indoors.

- Fill the fuel tank.
- Change the engine oil and filter (see page [175](#)).
- Wash and dry the exterior completely.
- Clean the interior. Make sure the carpeting, floor mats, etc. are completely dry.
- Leave the parking brake off. Put the transmission in Reverse (5-speed manual) or Park (automatic).

- Block the rear wheels.
- If the car is to be stored for a longer period, it should be supported on jackstands so the tires are off the ground.
- Leave one window open slightly (if the car is being stored indoors).
- Disconnect the battery.
- Support the front and rear wiper blade arms with a folded towel or rag so they do not touch the windshield.
- To minimize sticking, apply a silicone spray lubricant to all door and hatch seals. Also, apply a body wax to the painted surfaces that mate with the door and hatch seals.

- Cover the car with a "breathable" cover, one made from a porous material such as cotton. Nonporous materials, such as plastic sheeting, trap moisture, which can damage the paint.
- If possible, run the engine for a while periodically (preferably once a month).

If you store your car for 12 months or longer, have your Acura dealer perform the inspections called for in the 24 months/30,000 miles (48,000 km) maintenance schedule (Normal Conditions) as soon as you take it out of storage (see page [164](#)). The replacements called for in the maintenance schedule are not needed unless the car has actually reached that time or mileage.

Regular cleaning and polishing of your Acura helps to keep it "new" looking. This section gives you hints on how to clean your car and preserve its appearance: the paint, brightwork, wheels and interior. Also included are several things you can do to help prevent corrosion.

|                             |     |
|-----------------------------|-----|
| Exterior Care.....          | 218 |
| Washing.....                | 218 |
| Power Antenna Cleaning..... | 218 |
| Waxing.....                 | 219 |
| Aluminum Wheels.....        | 219 |
| Paint Touch-up.....         | 219 |
| Interior Care.....          | 220 |
| Carpeting.....              | 220 |
| Floor Mats.....             | 220 |
| Fabric.....                 | 221 |
| Vinyl.....                  | 221 |
| Leather.....                | 221 |
| Seat Belts.....             | 221 |
| Windows.....                | 222 |
| Air Fresheners.....         | 222 |
| Corrosion Protection.....   | 223 |
| Body Repairs.....           | 224 |

## Exterior Care

---

### Washing

Frequent washing helps preserve your car's beauty. Dirt and grit can scratch the paint, while tree sap and bird droppings can permanently ruin the finish.

Wash your car in a shady area, not in direct sunlight. If the car is parked in the sun, move it into the shade and let the exterior cool down before you start.

Only use the solvents and cleaners recommended in this Owner's Manual.

#### NOTICE

*Chemical solvents and strong cleaners can damage the paint, metal, and plastic on your car.*

- Rinse the car thoroughly with cool water to remove loose dirt.

- Fill a bucket with cool water. Mix in a mild detergent, such as dishwashing liquid or a product made especially for car washing.
- Wash the car using the water and detergent solution and a soft-bristle brush, sponge, or soft cloth. Start at the top and work your way down. Rinse frequently.
- Check the body for road tar, tree sap, etc. Remove these stains with tar remover or turpentine. Rinse it off immediately so it does not harm the finish. Remember to re-wax these areas, even if the rest of the car does not need waxing.
- When you have washed and rinsed the whole exterior, dry it with a chamois or soft towel. Letting it air-dry will cause dulling and water spots.

As you dry the car, inspect it for chips and scratches that could allow corrosion to start. Repair them with touch-up paint (see page 219).

### Power Antenna Cleaning

Twice a year, clean the antenna mast with a dry cloth and mild detergent. Scrub the antenna in upward strokes to avoid bending it. Rinse with water.

Make sure the antenna works smoothly by turning the stereo off and on several times with the ignition switch ON (II). The antenna does not need lubricating.

If you use a "drive-through" car wash, make sure you turn the stereo off first. This retracts the antenna to prevent damage from the car wash brushes.

### Waxing

Always wash and dry the whole car before waxing it. You should wax your car, including the metal trim, whenever water sits on the surface in large patches. It should form into beads or droplets after waxing.

You should use a quality liquid or paste wax. Apply it according to the instructions on the container. In general, there are two types of products:

**Waxes** — A wax coats the finish and protects it from damage by exposure to sunlight, air pollution, etc. You should use a wax on your Acura when it is new.

**Polishes** — Polishes and cleaner/waxes can restore the shine to paint that has oxidized and lost some of its shine. They normally contain mild abrasives and solvents that remove the top layer of the finish. You

should use a polish on your Acura if the finish does not have its original shine after using a wax.

Cleaning tar, insects, etc. with removers also takes off the wax. Remember to re-wax those areas, even if the rest of the car does not need waxing.

### Aluminum Wheels

*On some models*

Clean your Acura's aluminum alloy wheels as you do the rest of the exterior. Wash them with the same solution, and rinse them thoroughly.

The wheels have a protective clear-coat that keeps the aluminum from corroding and tarnishing. Using harsh chemicals, including some commercial wheel cleaners, or stiff brushes can damage this clear-coat. Only use a mild detergent and soft brush or sponge to clean the wheels.

### Paint Touch-up

Your dealer has touch-up paint to match your car's color. The color code is printed on a sticker on the driver's doorjamb. Take this code to your dealer so you are sure to get the correct color.

Inspect your car frequently for chips or scratches in the paint. Repair them right away to prevent corrosion of the metal underneath. Use the touch-up paint only on small chips and scratches. More extensive paint damage should be repaired by a professional.

## Interior Care

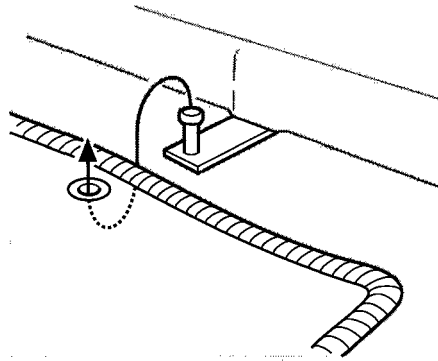
---

### **Carpeting**

Vacuum the carpeting frequently to remove dirt. Ground-in dirt will make the carpet wear out faster.

Periodically shampoo the carpet to keep it looking new. Use one of the foam-type carpet cleaners on the market. Follow the instructions that come with the cleaner, applying it with a sponge or soft brush. Keep the carpeting as dry as possible by not adding water to the foam.

### **Floor Mats**



The Genuine Acura driver's floor mat that came with your car was designed to be hooked over the floor mat anchor. This keeps the floor mat from sliding forward and possibly interfering with the pedals.

If you remove the floor mat, make sure to re-anchor it when you put it back in your car.

If you replace it, use a genuine Acura floor mat that is designed to be used with the floor mat anchor in your car.

If you use a non-Acura floor mat in the driver's footwell, make sure it fits properly and that it can be used with the floor mat anchor.

Do not put additional floor mats on top of the anchored mat, otherwise the additional mats may slide forward and interfere with the pedals.

### Fabric

Vacuum dirt and dust out of the material frequently. For general cleaning, use a solution of mild soap and lukewarm water, letting it air dry. To clean off stubborn spots, use a commercially-available fabric cleaner. Test it on a hidden area of the fabric first, to make sure it does not bleach or stain the fabric. Follow the instructions that come with the cleaner.

### Vinyl

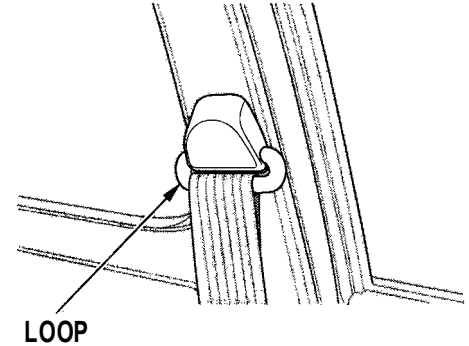
Remove dirt and dust with a vacuum cleaner. Wipe the vinyl with a soft cloth dampened in a solution of mild soap and water. Use the same solution with a soft-bristle brush on more difficult spots. You can also use commercially-available spray or foam-type vinyl cleaners.

### Leather

*On some models*

Vacuum dirt and dust from the leather frequently. Pay particular attention to the pleats and seams. Clean the leather with a soft cloth dampened with clear water, then buff it with a clean, dry cloth. If further cleaning is needed, use a soap specifically for leather, such as saddle soap. Apply this soap with a damp, soft cloth. Wipe down and buff as described above.

### Seat Belts



If your seat belts get dirty, you can use a soft brush with a mixture of mild soap and warm water to clean them. Do not use bleach, dye, or cleaning solvents. They can weaken the belt material. Let the belts air-dry before you use the car.

CONTINUED



## Interior Care

---

Dirt build-up in the loops of the seat belt anchors can cause the belts to retract slowly. Wipe the insides of the loops with a clean cloth dampened in mild soap and warm water or isopropyl alcohol.

### Windows

Clean the windows, inside and out, with a commercially-available glass cleaner. You can also use a mixture of one part white vinegar to ten parts water. This will remove the haze that builds up on the inside of the windows. Use a soft cloth or paper towels to clean all glass and clear plastic surfaces.

#### NOTICE

*The rear window defogger wires are bonded to the inside of the glass. Wiping vigorously up-and-down can dislodge and break the defogger wires. When cleaning the rear window, use gentle pressure and wipe side-to-side.*

### Air Fresheners

If you want to use an air freshener/deodorizer in the interior of your car, it is best to use a solid type. Some liquid air fresheners contain chemicals that may cause parts of the interior trim and fabric to crack or discolor.

If you use a liquid air freshener, make sure you fasten it securely so it does not spill as you drive.

Two factors normally contribute to causing corrosion in your car:

1. Moisture trapped in body cavities. Dirt and road salt that collects in hollows on the underside of the car stays damp, promoting corrosion in that area.
2. Removal of paint and protective coatings from the exterior and underside of the car.

Many corrosion-preventive measures are built into your Acura. You can help keep your car from corroding by performing some simple periodic maintenance:

- Repair chips and scratches in the paint as soon as you discover them.
  - Inspect and clean out the drain holes in the bottom of the doors and body.
  - Check the floor coverings for dampness. Carpeting and floor mats may remain damp for a long time, especially in winter. This dampness can eventually cause the floor panels to corrode.
- Use a high-pressure spray to clean the underside of your car. This is especially important in areas that use road salt in winter. It is also a good idea in humid climates and areas subject to salt air. Cars equipped with ABS have a sensor and wiring at each wheel. Be careful not to damage them.
  - Have the corrosion-preventive coatings on the underside of your car inspected and repaired periodically.

## Body Repairs

---

Body repairs can affect your car's resistance to corrosion. If your car needs repairs after a collision, pay close attention to the parts used in the repair and the quality of the work.

Make sure the repair facility uses Genuine Acura replacement body parts. Some companies make sheet metal pieces that seem to duplicate the original Acura body parts, but are actually inferior in fit, finish, and corrosion resistance. Once installed, they do not give the same high-quality appearance.

When reporting your collision to the insurance company, tell them you want Genuine Acura parts used in the repair. Although most insurers recognize the quality of original parts, some may try to specify that the repairs be done with other available parts. You should investigate this before any repairs have begun.

Take your car to your authorized Acura dealer for inspection after the repairs are completed. Your dealer can make sure that quality materials were used, and that corrosion-preventive coatings were applied to all repaired and replaced parts.

This section covers the more-common problems that motorists experience with their vehicles. It gives you information about how to safely evaluate the problem and what to do to correct it. If the problem has stranded you on the side of the road, you may be able to get going again. If not, you will also find instructions on getting your car towed.

|                                                                      |     |
|----------------------------------------------------------------------|-----|
| Compact Spare Tire.....                                              | 226 |
| Changing a Flat Tire.....                                            | 227 |
| If Your Engine Won't Start.....                                      | 231 |
| Nothing Happens or the<br>Starter Motor Operates<br>Very Slowly..... | 232 |
| The Starter Operates<br>Normally.....                                | 233 |
| Jump Starting.....                                                   | 233 |
| If Your Engine Overheats.....                                        | 236 |
| Low Oil Pressure Indicator.....                                      | 238 |
| Charging System Indicator.....                                       | 239 |
| Malfunction Indicator Lamp.....                                      | 240 |
| Brake System Indicator.....                                          | 241 |
| Closing the Moonroof.....                                            | 242 |
| Fuses.....                                                           | 243 |
| Checking and Replacing.....                                          | 244 |
| Emergency Towing.....                                                | 248 |

## Compact Spare Tire

---

Your car has a compact spare tire that takes up less space. Use this spare tire as a temporary replacement only. Get your regular tire repaired or replaced and put it back on your car as soon as you can.

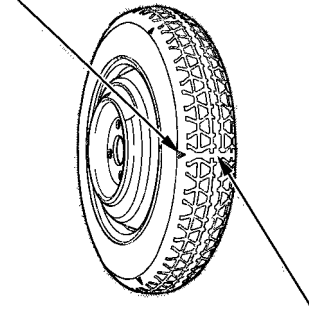
Check the inflation pressure of the compact spare tire every time you check the other tires. It should be inflated to:  
60 psi (420 kPa , 4.20 kgf/cm<sup>2</sup>)

Follow these precautions whenever you are using the compact spare tire:

- Do not exceed 50 mph (80 km/h) under any circumstances.
- This tire gives a harsher ride and less traction on some road surfaces than the regular tire. Use greater caution while driving on this tire.

- Do not mount snow chains on the compact spare.
- The wheel of the compact spare tire is designed especially to fit your car. Do not use your spare tire on another vehicle unless it is the same make and model.
- *Type-R model only*  
Do not drive with the compact spare tire mounted on the front wheels for a long period; it will damage the Limited Slip Differential.

INDICATOR LOCATION MARK



TREAD WEAR INDICATOR BAR

The compact spare tire has a shorter tread life than a regular tire. Replace it when you can see the tread wear indicator bars. The replacement should be the same size and design tire, mounted on the same wheel. The compact spare tire is not designed to be mounted on a regular wheel, and the compact wheel is not designed for mounting a regular tire.

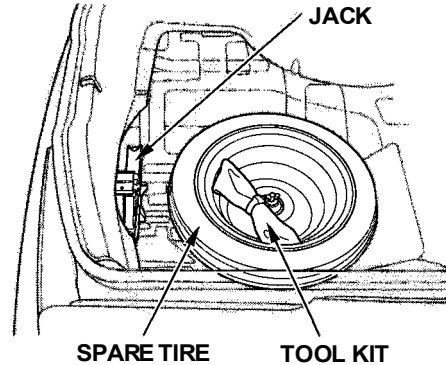
## Changing a Flat Tire

If you have a flat tire while driving, stop in a safe place to change it. Stopping in traffic or on the shoulder of a busy road is dangerous. Drive slowly along the shoulder until you get to an exit or an area to stop that is far away from the traffic lanes.

### **WARNING**

The car can easily roll off the jack, seriously injuring anyone underneath.

Follow the directions for changing a tire exactly, and never get under the car when it is supported only by the jack.



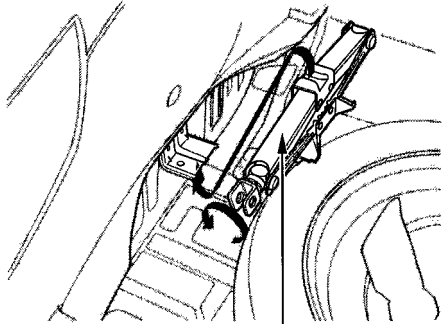
1. Park the car on firm, level and non-slippery ground away from traffic. Put the transmission in Park (automatic) or Reverse (manual). Apply the parking brake. If you are towing a trailer, unhitch the trailer.

2. Turn on the hazard warning lights and turn the ignition switch to LOCK (0). Have all the passengers get out of the car while you change the tire.
3. Open the hatch. Pull up the floor mat and remove the spare tire cover.
4. Take the tool kit out of the spare tire well.
5. Unscrew the wing bolt and take the spare tire out of its well.

CONTINUED

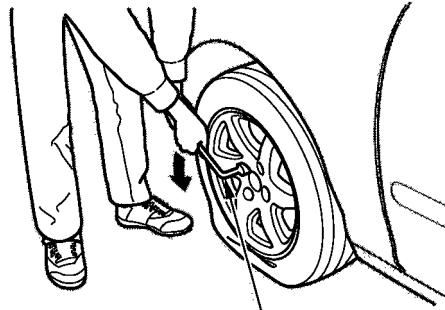
## Changing a Flat Tire

---



**JACK**

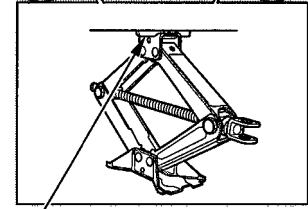
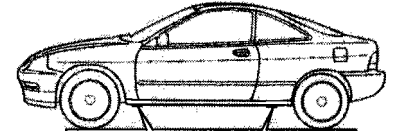
6. Turn the jack's end bracket counterclockwise to loosen it, then remove the jack.



**WHEEL WRENCH**

7. (Except Type-R)  
Loosen the four wheel nuts 1/2 turn with the wheel wrench.

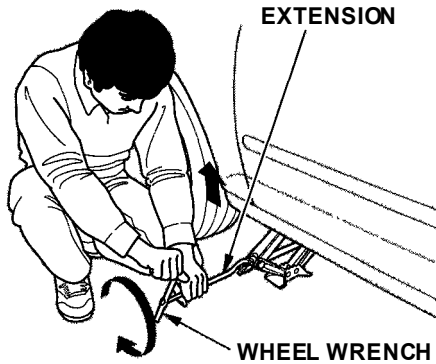
(Type-R)  
Loosen the five wheel nuts 1/2 turn with the wheel wrench.



**JACKING POINT**

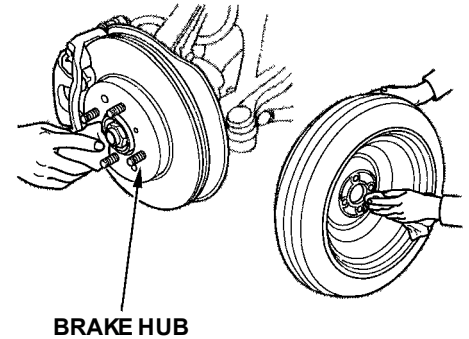
8. Find the jacking point nearest the wheel you are removing. Place the jack under the jacking point. Turn the end bracket clockwise until the top of the jack contacts the jacking point. Make sure the jacking point tab is resting in the jack notch.

## Changing a Flat Tire



9. Use the extension and wheel wrench as shown to raise the vehicle until the flat tire is off the ground.

10. Remove the wheel nuts and flat tire. Temporarily place the flat tire on the ground with the outside surface of the wheel facing up. You could scratch the wheel if you put it face down.

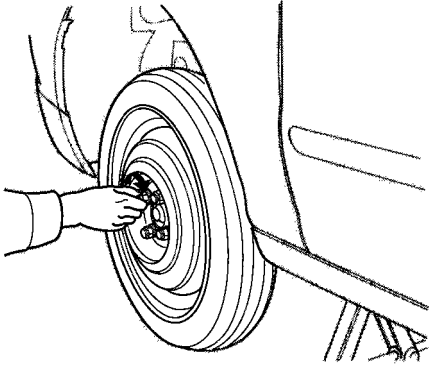


11. Before mounting the spare tire, wipe any dirt off the mounting surface of the wheel and hub with a clean cloth. Wipe the hub carefully, it may be hot from driving.

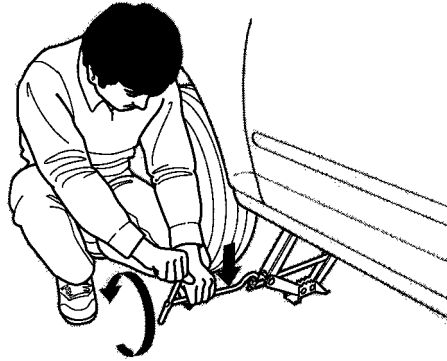
*CONTINUED*



## Changing a Flat Tire

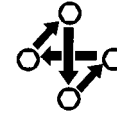


12. Put on the spare tire. Put the wheel nuts back on finger-tight, then tighten them in a crisscross pattern with the wheel wrench until the wheel is firmly against the hub. Do not try to tighten them fully.

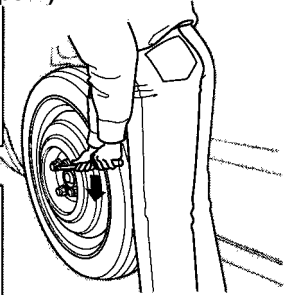


13. Lower the car to the ground and remove the jack.

(Except Type-R)

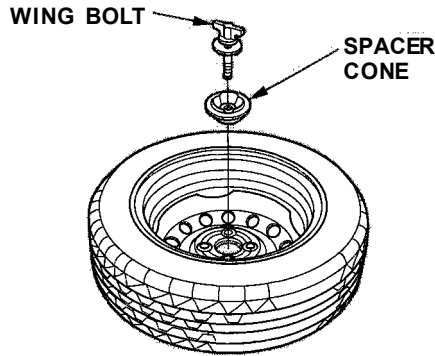


(Type-R)



14. Tighten the wheel nuts securely in the same crisscross pattern. Have the wheel nut torque checked at the nearest automotive service facility.  
Tighten the wheel nuts to:  
80 lbf.ft (108 N.m , 11 kgf.m)

## Changing a Flat Tire, If Your Engine Won't Start



15. Remove the wheel cover or center cap.  
Place the flat tire face down in the spare tire well.
16. Remove the spacer cone from the wing bolt, turn it over, and put it back on the bolt.

17. Secure the flat tire by screwing the wing bolt back into its hole.
18. Store the jack in its holder with the end bracket facing to the right. Turn the jack's end bracket to lock it in place. Store the tool kit.

### **⚠ WARNING**

Loose items can fly around the interior in a crash and could seriously injure the occupants.

Store the wheel, jack and tools securely before driving.

19. Store the wheel cover or center cap in the cargo area. Make sure it will not get scratched or damaged.
20. Reinstall the floor mat and spare tire cover, then close the hatch.

### **If Your Engine Won't Start**

Diagnosing why your engine won't start falls into two areas, depending on what you hear when you turn the key to START (III):

- You hear nothing, or almost nothing. The engine's starter motor does not operate at all, or operates very slowly.
- You can hear the starter motor operating normally, or the starter motor sounds like it is spinning faster than normal, but the engine does not start up and run.

## If Your Engine Won't Start

---

### Nothing Happens or the Starter Motor Operates Very Slowly

When you turn the ignition switch to START (III), you do not hear the normal noise of the engine trying to start. You may hear a clicking sound or series of clicks, or nothing at all. Check these things:

- Your car has the Immobilizer System. You should use a properly-coded master or valet key to start the engine (see page 72 ). A key that is not properly coded will cause the immobilizer system indicator in the dash panel to blink rapidly.

- Check the transmission interlock. If you have a manual transmission, the clutch pedal must be pushed all the way to the floor or the starter will not operate. With an automatic transmission, it must be in Park or Neutral.
- Turn the ignition switch to ON (II). Turn on the headlights and check their brightness. If the headlights are very dim or don't light at all, the battery is discharged. See **Jump Starting** on page 233.

- Turn the ignition switch to START (III). If the headlights do not dim, check the condition of the fuses. If the fuses are OK, there is probably something wrong with the electrical circuit for the ignition switch or starter motor. You will need a qualified technician to determine the problem. (See **Emergency Towing** on page 248.)

If the headlights dim noticeably or go out when you try to start the engine, either the battery is discharged or the connections are corroded. Check the condition of the battery and terminal connections (see page 189 ). You can then try jump starting the car from a booster battery (see page 233 ).

## If Your Engine Won't Start, Jump Starting

### The Starter Operates Normally

In this case, the starter motor's speed sounds normal, or even faster than normal, when you turn the ignition switch to START (III), but the engine does not run.

- Are you using the proper starting procedure? Refer to **Starting the Engine** on page [137](#).
- Do you have fuel? Turn the ignition switch to ON (II) for a minute and watch the fuel gauge. The low fuel level warning light may not be working, so you were not reminded to fill the tank.
- There may be an electrical problem, such as no power to the fuel pump. Check all the fuses (see page [243](#)).

If you find nothing wrong, you will need a qualified technician to find the problem. See **Emergency Towing** on page [248](#).

### Jump Starting

If your car's battery has run down, you may be able to start the engine by using a booster battery. Although this seems like a simple procedure, you should take several precautions.

### **WARNING**

A battery can explode if you do not follow the correct procedure, seriously injuring anyone nearby.

Keep all sparks, open flames, and smoking materials away from the battery.

You cannot start an Acura with an automatic transmission by pushing or pulling it.

*CONTINUED*

## Jump Starting

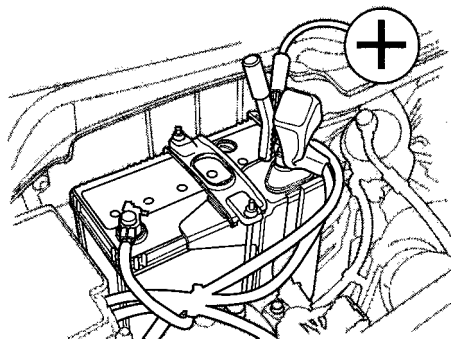
To jump start your car, follow these directions closely:

1. Open the hood and check the physical condition of the battery (see page 191). In very cold weather, check the condition of the electrolyte. If it seems slushy or like ice, do not try jump starting until it thaws.

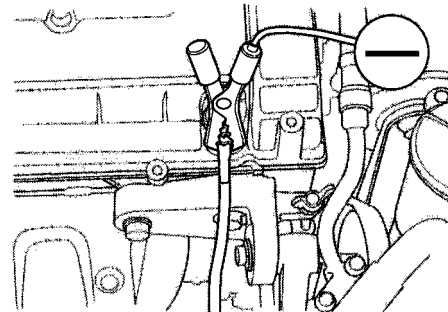
### NOTICE

*If a battery sits in extreme cold, the electrolyte inside can freeze. Attempting to jump start with a frozen battery can cause it to rupture.*

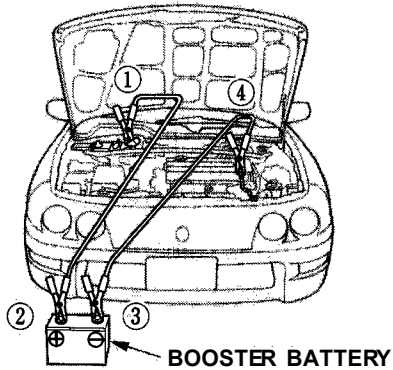
2. Turn off all the electrical accessories: heater, A/C, stereo system, lights, etc.  
Put the transmission in Neutral or Park and set the parking brake.



3. Connect one jumper cable to the positive (+) terminal on your Acura's battery. Connect the other end to the positive (+) terminal on the booster battery.



4. Connect the second jumper cable to the negative (-) terminal on the booster battery. Connect the other end to the grounding strap as shown. Do not connect this jumper cable to any other part of the engine.
5. If the booster battery is in another vehicle, have an assistant start that vehicle and run it at a fast idle.



The numbers in the illustration show you the order to connect the jumper cables. Make sure to disconnect the cables in the reverse order.

6. Start your car. If the starter motor still operates slowly, check the jumper cable connections to make sure they have good metal-to-metal contact.

7. Once your car is running, disconnect the negative cable from your car, then from the booster battery. Disconnect the positive cable from your car, then the booster battery.

Keep the ends of the jumper cables away from each other and any metal on the vehicle until all are disconnected. Otherwise, you may cause an electrical short.

## If Your Engine Overheats

---

The pointer of your car's temperature gauge should stay in the mid-range under most conditions. It may go higher if you are driving up a long steep hill on a very hot day. If it climbs to the red mark, you should determine the reason.

### NOTICE

*Driving with the temperature gauge pointer at the red mark can cause serious damage to your engine.*

Your car can overheat for several reasons, such as lack of coolant or a mechanical problem. The only indication may be the temperature gauge climbing to or above the red mark. Or you may see steam or spray coming from under the hood. In either case, you should take immediate action.

### **WARNING**

Steam and spray from an overheated engine can seriously scald you.

Do not open the hood if steam is coming out.

1. Safely pull to the side of the road. Put the transmission in Neutral or Park and set the parking brake. Turn off the heating and cooling system and all other accessories. Turn on the hazard warning indicators.

2. If you see steam and/or spray coming from under the hood, turn off the engine.
3. If you do not see steam or spray, leave the engine running and watch the temperature gauge. If the high heat is due to overloading (climbing a long, steep hill on a hot day with the A/C running, for example), the engine should start to cool down almost immediately. If it does, wait until the temperature gauge comes down to the midpoint then continue driving.
4. If the temperature gauge stays at the red mark, turn off the engine.
5. Wait until you see no more signs of steam or spray, then open the hood.

## If Your Engine Overheats

6. Look for any obvious coolant leaks, such as a split radiator hose. Everything is still extremely hot, so use caution. If you find a leak, it must be repaired before you continue driving (see **Emergency Towing** on page 248).
7. If you don't find an obvious leak, check the coolant level in the radiator reserve tank (see page 128). If the level is below the MIN mark, add coolant to halfway between the MIN and MAX marks.
8. If there was no coolant in the reserve tank, you may also have to add coolant to the radiator. Let the engine cool down until the pointer reaches the middle of the temperature gauge, or lower, before checking the radiator.

### **WARNING**

Removing the radiator cap while the engine is hot can cause the coolant to spray out, seriously scalding you.

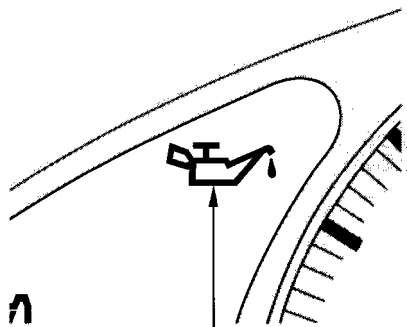
Always let the engine and radiator cool down before removing the radiator cap.

9. Using gloves or a large heavy cloth, turn the radiator cap counterclockwise, without pushing down, to the first stop. This releases any remaining pressure in the cooling system. After the pressure releases, push down on the cap and turn it until it comes off.

10. Start the engine and set the temperature control lever to maximum. Add coolant to the radiator up to the base of the filler neck. If you do not have the proper coolant mixture available, you can add plain water. Remember to have the cooling system drained and refilled with the proper mixture as soon as you can.
11. Put the radiator cap back on tightly. Run the engine and watch the temperature gauge. If it goes back to the red mark, the engine needs repair. (See **Emergency Towing** on page 248.)
12. If the temperature stays normal, check the coolant level in the radiator reserve tank. If it has gone down, add coolant to the MAX mark. Put the cap back on tightly.



## Low Oil Pressure Indicator



LOW OIL PRESSURE INDICATOR

This indicator should light when the ignition switch is ON (II), and go out after the engine starts. It should never come on when the engine is running. If it starts flashing, it indicates that the oil pressure dropped very low for a moment, then recovered. If the indicator stays on with the engine running, it shows that the engine has lost oil pressure and serious engine damage is possible. In either case, you should take immediate action.

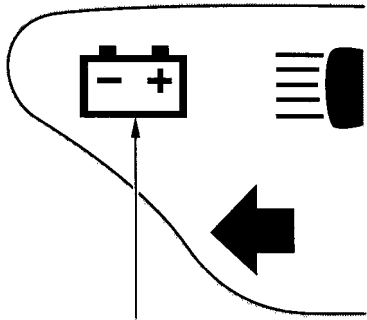
### NOTICE

*Running the engine with low oil pressure can cause serious mechanical damage almost immediately. Turn off the engine as soon as you can safely get the car stopped.*

1. Safely pull off the road and shut off the engine. Turn on the hazard warning indicators.
2. Let the car sit for a minute. Open the hood and check the oil level (see page 127). Although oil level and oil pressure are not directly connected, an engine that is very low on oil can lose pressure during cornering and other driving maneuvers.
3. If necessary, add oil to bring the level back to the full mark on the dipstick (see page 173).

4. Start the engine and watch the oil pressure indicator. If the light does not go out within ten seconds, turn off the engine. There is a mechanical problem that needs to be repaired before you can continue driving. (See **Emergency Towing** on page 248.)

## Charging System Indicator



**CHARGING SYSTEM INDICATOR**

This indicator should come on when the ignition switch is ON (II), and go out after the engine starts. If it comes on brightly when the engine is running, it indicates that the charging system has stopped charging the battery.

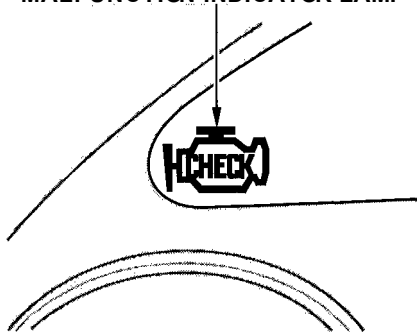
Immediately turn off all electrical accessories: radio, heater, A/C, rear defogger, cruise control, etc. Try not to use other electrically-operated controls such as the power windows. Keep the engine running and take extra care not to stall it. Starting the engine will discharge the battery rapidly.

By eliminating as much of the electrical load as possible, you can drive several miles (kilometers) before the battery is too discharged to keep the engine running. Drive to a service station or garage where you can get technical assistance.

## Malfunction Indicator Lamp

---

### MALFUNCTION INDICATOR LAMP



This indicator comes on for a few seconds when you turn the ignition switch ON (II). If it comes on at any other time, it indicates one of the engine's emissions control systems may have a problem. Even though you may feel no difference in your car's performance, it can reduce your fuel economy and cause your car to put out excessive emissions. Continued operation may cause serious damage.

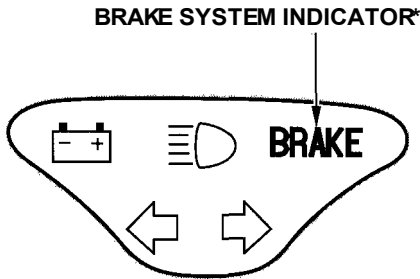
If you have recently refueled your car, the cause of this indicator coming on could be a loose or missing fuel fill cap. Check the cap and tighten it until it clicks several times. Replace the fuel fill cap if it is missing. Tightening the cap will not make the indicator turn off immediately; it takes three driving trips.

If the indicator remains on past three driving trips, or the fuel cap was not loose or missing, have the car checked by the dealer as soon as possible. Drive moderately until the dealer has inspected the problem. Avoid full-throttle acceleration and driving at high speed.

You should also have the dealer inspect your car if this indicator comes on repeatedly, even though it may turn off as you continue driving.

### NOTICE

*If you keep driving with the malfunction indicator lamp on, you can damage your car's emissions controls and engine. Those repairs may not be covered by your car's warranties.*



**\*U.S. indicator shown**

The Brake System Indicator normally comes on when you turn the ignition switch ON (II). It is a reminder to check the parking brake. It comes on and stays lit if you do not fully release the parking brake.

If it comes on at any other time, it indicates a problem with the car's brake system. In most cases, the problem is a low fluid level in the brake fluid reservoir. Press lightly on the brake pedal to see if it feels

normal. If it does, check the brake fluid level the next time you stop at a service station (see page 186). If the fluid level is low, take the car to your dealer and have the brake system inspected for leaks or worn brake pads.

However, if the brake pedal does not feel normal, you should take immediate action. Because of the brake system's dual-circuit design, a problem in one part of the system will still give you braking at two wheels. You will feel the brake pedal go down much farther before the car begins to slow down, and you will have to press harder on the pedal. The distance needed to stop will be much longer.

Slow down by shifting to a lower gear, and pull to the side of the road when it is safe. Because of the longer distance needed to stop, it is hazardous to drive the car. You should have it towed, and repaired as soon as possible. (See **Emergency Towing** on page 248 .)

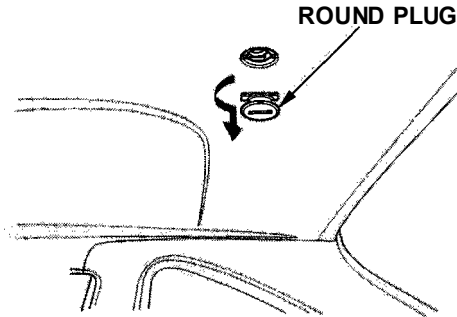
If you must drive the car a short distance in this condition, drive slowly and cautiously.

## Closing the Moonroof

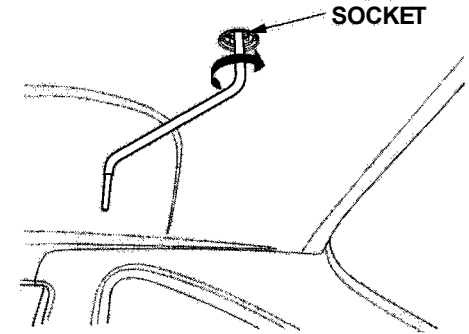
*LS, GS and GS-R Models*

If the electric motor will not close the moonroof, do the following:

1. Check the fuse for the moonroof motor (see page 243). If the fuse is blown, replace it with one of the same or lower rating.
2. Try closing the moonroof. If the new fuse blows immediately or the moonroof motor still does not operate, you can close the moonroof manually.
3. Get the moonroof wrench out of the tool kit in the cargo area.



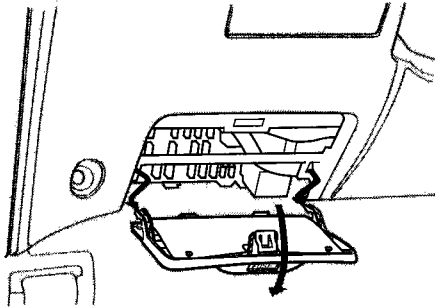
4. Use a screwdriver or coin to remove the round plug in the center of the headliner.



5. Insert the moonroof wrench into the socket behind this plug. Turn the wrench until the moonroof is fully closed.
6. Remove the wrench. Replace the round plug.

All the electrical circuits in your car have fuses to protect them from a short circuit or overload. These fuses are located in two or three fuse boxes.

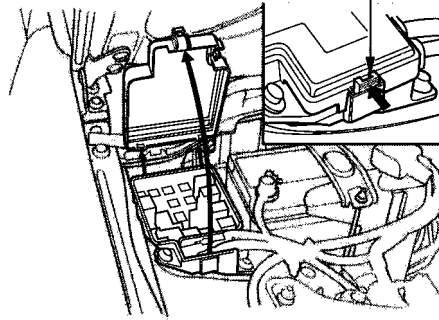
## INTERIOR



The interior fuse box is underneath the dashboard on the driver's side. Remove the fuse box lid by swinging the lid down and pulling it straight out of its hinges.

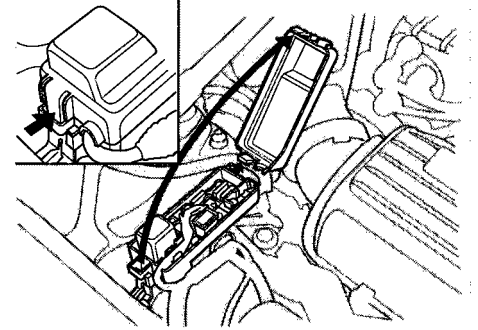
## UNDER-HOOD

## TAB



The under-hood fuse box is located in the engine compartment next to the battery. To open it, push the tab as shown.

## ABS FUSE BOX



Cars equipped with ABS have a third fuse box for the ABS. It is in the front of the engine compartment on the passenger's side.

*CONTINUED*

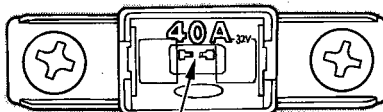
# Fuses

## Checking and Replacing Fuses

If something electrical in your car stops working, the first thing you should check for is a blown fuse. Determine from the chart on pages 246 and 247, or the diagram on the fuse box lid, which fuse or fuses control that component. Check those fuses first, but check all the fuses before deciding that a blown fuse is not the cause. Replace any blown fuses and check the component's operation.

1. Turn the ignition switch to LOCK (0). Make sure the headlights and all other accessories are off.
2. Remove the cover from the fuse box.

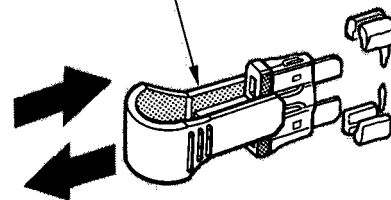
FUSE



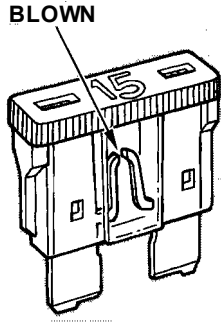
BLOWN

3. Check each of the large fuses in the under-hood fuse box by looking through the top at the wire inside. Removing these fuses requires a Phillips-head screw-driver.

FUSE PULLER



4. Check the smaller fuses in the under-hood fuse box and all the fuses in the interior fuse box by pulling out each fuse with the fuse puller provided in the interior fuse box.



5. Look for a burned wire inside the fuse. If it is burned, replace it with one of the spare fuses of the same rating or lower.

If you cannot drive the car without fixing the problem, and you do not have a spare fuse, take a fuse of the same rating or a lower rating from one of the other circuits. Make sure you can do without that circuit temporarily (such as the cigarette lighter or radio).

If you replace the blown fuse with a spare fuse that has a lower rating, it might blow out again. This does not indicate anything wrong. Replace the fuse with one of the correct rating as soon as you can.

### NOTICE

*Replacing a fuse with one that has a higher rating greatly increases the chances of damaging the electrical system. If you do not have a replacement fuse with the proper rating for the circuit, install one with a lower rating.*

6. If the replacement fuse of the same rating blows in a short time, there is probably a serious electrical problem in your car. Leave the blown fuse in that circuit and have your car checked by a qualified mechanic.

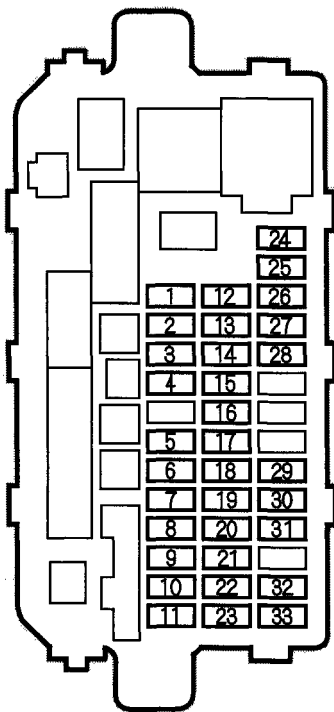
If the radio fuse is removed, the audio system will disable itself. The next time you turn on the radio you will see "Code" in the frequency display. Use the Preset buttons to enter the five-digit code (see page 119).

CONTINUED



# Fuses

## INTERIOR FUSE BOX

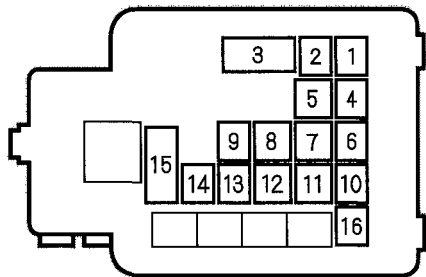


| No. | Amps. | Circuits Protected             |
|-----|-------|--------------------------------|
| 1   | 7.5 A | Inter Lock Unit                |
| 2   | 10 A  | License Plate Light, Taillight |
| 3   | 7.5 A | Starter Signal                 |
| 4   | 7.5 A | Instrument Panel Light         |
| 5   | 10 A  | Radio                          |
| 6   | 10 A  | Cigarette Lighter              |
| 7   | 20 A  | Front Wiper and Washer         |
| 8   | 7.5 A | Meter                          |
| 9   | 7.5 A | Power Window Relay, Moonroof   |
| 10  | 10 A  | S.R.S                          |
| 11  | —     | Spare Fuse                     |
| 12  | 10 A  | Left Headlight Low Beam        |
| 13  | 10 A  | Right Headlight Low Beam       |
| 14  | 10 A  | Daytime Running Lights*        |
| 15  | 7.5 A | Back Up Light                  |
| 16  | 7.5 A | Daytime Running Lights Relay*  |
| 17  | 7.5 A | Heater A/C Relay               |

| No. | Amps. | Circuits Protected        |
|-----|-------|---------------------------|
| 18  | 7.5 A | Rear Defroster Relay      |
| 19  | 7.5 A | Alternator, Speed Sensor  |
| 20  | 7.5 A | Cruise Control            |
| 21  | 15 A  | Fuel Pump, SRS Unit       |
| 22  | 10 A  | Turn Signal light         |
| 23  | —     | Spare Fuse                |
| 24  | —     | Spare Fuse                |
| 25  | —     | Spare Fuse                |
| 26  | 20 A  | Front Left Power Window   |
| 27  | 20 A  | Front Right Power Window  |
| 28  | 15 A  | Ignition Coil             |
| 29  | 10 A  | Left Headlight High Beam  |
| 30  | 10 A  | Right Headlight High Beam |
| 31  | 10 A  | Rear Wiper and Washer     |
| 32  | 20 A  | Power Door Lock           |
| 33  | —     | Spare Fuse                |

\* : On Canadian models

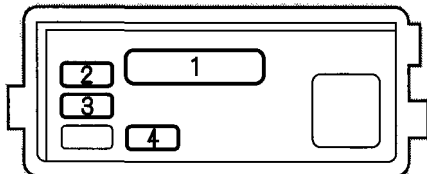
## UNDER-HOOD FUSE BOX



| No. | Amps. | Circuits Protected        |
|-----|-------|---------------------------|
| 1   | 15 A  | FI E/M (ECM)              |
| 2   | 7.5 A | Main Fuse Interior Light  |
| 3   | 40 A  | Main Fuse Ignition        |
| 4   | 7.5 A | Back Up (Radio)           |
| 5   | 40 A  | Main Fuse Power Window    |
| 6   | 15 A  | Small                     |
| 7   | 40 A  | Main Fuse Rear Defroster  |
| 8   | 30 A  | Main Fuse Power Door Lock |

| No. | Amps. | Circuits Protected     |
|-----|-------|------------------------|
| 9   | 40 A  | Main Fuse Light        |
| 10  | 20 A  | Condenser Fan          |
| 11  | 40 A  | Main Fuse Heater Motor |
| 12  | 40 A  | Main Fuse Option       |
| 13  | 10 A  | Hazard                 |
| 14  | 20 A  | Horn, Stop             |
| 15  | 100 A | Main Fuse Battery      |
| 16  | 20 A  | Cooling Fan            |

## ABS FUSE BOX



| No. | Amps. | Circuits Protected |
|-----|-------|--------------------|
| 1   | 40 A  | ABS Motor          |
| 2   | 20 A  | ABS B1             |
| 3   | 15 A  | ABS B2             |
| 4   | 10 A  | ABS Unit           |

## Emergency Towing

---

If your car needs to be towed, call a professional towing service or, if you belong to one, an organization that provides roadside assistance. Never tow your car behind another vehicle with just a rope or chain. It is very dangerous.

There are three popular types of professional towing equipment.

**Flat-bed Equipment** — The operator loads your car on the back of a truck. **This is the best way to transport your Acura.**

**Wheel-lift Equipment** — The tow truck uses two pivoting arms that go under the tires (front or rear) and lift them off the ground. The other two tires remain on the ground. **This is an acceptable way to tow your Acura.**

**Sling-type Equipment** — The tow truck uses metal cables with hooks on the ends. These hooks go around parts of the frame or suspension and the cables lift that end of the car off the ground. Your car's suspension and body can be seriously damaged. **This method of towing is unacceptable**

If your Acura cannot be transported by flat-bed, it should be towed by wheel-lift equipment with the front wheels off the ground. If, due to damage, your car must be towed with the front wheels on the ground, do the following.

**5-speed Manual Transmission**

- Release the parking brake.
- Shift the transmission to Neutral.

**Automatic Transmission**

- Release the parking brake.
- Start the engine.
- Shift to D<sub>4</sub>, then to N.
- Turn off the engine.

### NOTICE

*Improper towing preparation will damage the transmission. Follow the above procedure exactly. If you cannot shift the transmission or start the engine (automatic transmission), your car must be transported with the front wheels off the ground.*

With the front wheels on the ground, it is best to tow the vehicle no farther than 50 miles (80 km), and keep the speed below 35 mph (55 km/h).

If you decide to tow your car with all four wheels on the ground, make sure you use a properly-designed and attached tow bar. Prepare the car for towing as described above, and leave the ignition switch in Accessory (I) so the steering wheel does not lock. Make sure the radio and any electrical accessories are turned off so they do not run down the battery.

### NOTICE

*The steering system can be damaged if the steering wheel is locked. Leave the ignition switch in Accessory (I), and make sure the steering wheel turns freely before you begin towing.*

### NOTICE

*Trying to lift or tow your car by the bumpers will cause serious damage. The bumpers are not designed to support the car's weight.*



The diagrams in this section give you the dimensions and capacities of your Acura, and the locations of the identification numbers. It also includes information you should know about your vehicle's tires and emissions control systems.

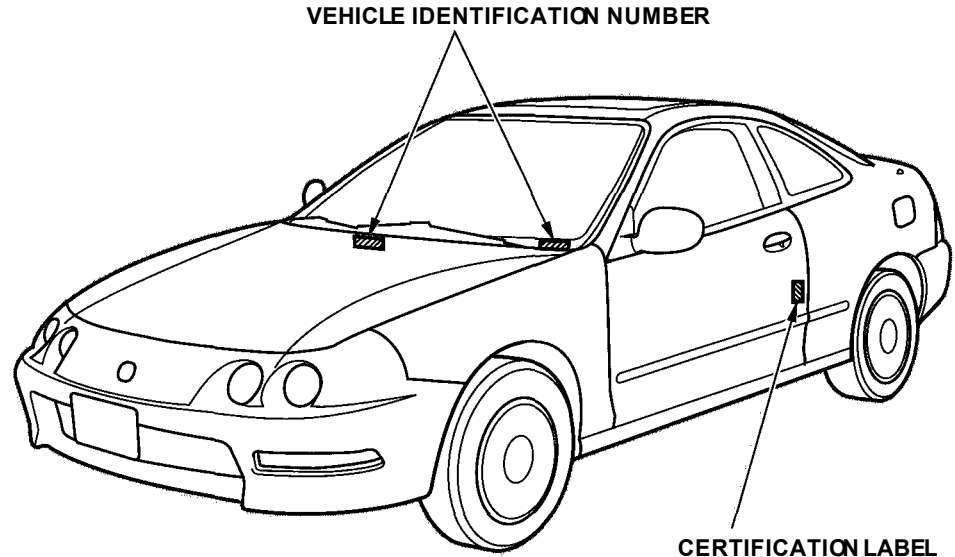
|                                              |     |                                                     |     |
|----------------------------------------------|-----|-----------------------------------------------------|-----|
| Identification Numbers.....                  | 252 | Emissions Controls.....                             | 260 |
| Specifications.....                          | 254 | The Clean Air Act.....                              | 260 |
| DOT Tire Quality Grading<br>(U.S. Cars)..... | 256 | Crankcase Emissions Control<br>System.....          | 260 |
| Treadwear.....                               | 256 | Evaporative Emissions Control<br>System.....        | 260 |
| Traction — AA, A, B, C.....                  | 256 | Onboard Refueling Vapor<br>Recovery.....            | 261 |
| Temperature — A, B, C.....                   | 257 | Exhaust Emissions Controls...<br>PGM-FI System..... | 261 |
| Oxygenated Fuels.....                        | 258 | Ignition Timing Control<br>System.....              | 261 |
| Driving in Foreign Countries.....            | 259 | Three Way Catalytic<br>Converter.....               | 261 |
|                                              |     | Replacement Parts.....                              | 261 |
|                                              |     | Three Way Catalytic Converter...                    | 262 |
|                                              |     | State Emissions Testing.....                        | 263 |

## Identification Numbers

---

Your car has several identifying numbers located in various places.

The Vehicle Identification Number (VIN) is the 17-digit number your Acura dealer uses to register your car for warranty purposes. It is also necessary for licensing and insuring your car. The easiest place to find the VIN is on a plate fastened to the top of the dashboard. You can see it by looking through the windshield on the driver's side. It is also on the Certification label attached to the driver's doorjamb, and is stamped on the engine compartment bulkhead. The VIN is also provided in bar code on the Certification label.

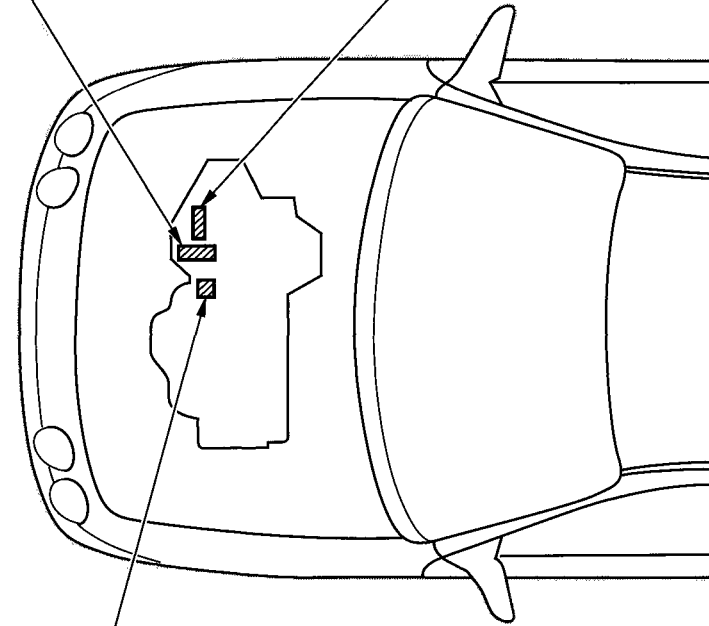


## Identification Numbers

The Engine Number is stamped into the engine block.

The Transmission Number is on a label on top of the transmission.

MANUAL TRANSMISSION NUMBER      AUTOMATIC TRANSMISSION NUMBER



ENGINE NUMBER



# Specifications

## Dimensions

|           |       |                                                |
|-----------|-------|------------------------------------------------|
| Length    |       | 172.4 in (4,380 mm)                            |
| Width     |       | 67.3 in (1,710 mm)                             |
| Height    |       | 52.6 in (1,335 mm)<br>52.0 in (1,320 mm) *2    |
| Wheelbase |       | 101.2 in (2,570 mm)                            |
| Track     | Front | 58.1 in (1,475 mm)<br>58.3 in (1,480 mm) *2    |
|           | Rear  | 57.7 in (1,465 mm) *1<br>57.9 in (1,470 mm) *2 |

\* 1 : SE, LS, GS, GS-R \* 2 : Type-R

## Weights

|                             |                                                                |
|-----------------------------|----------------------------------------------------------------|
| Gross vehicle weight rating | See the certification label attached to the driver's doorjamb. |
|-----------------------------|----------------------------------------------------------------|

## Engine

|                   |                                                                                |
|-------------------|--------------------------------------------------------------------------------|
| Type              | Water cooled 4-stroke<br>DOHC*1, DOHC VTEC*2<br>4-cylinder gasoline engine     |
| Bore x Stroke     | 3.19 x 3.50 in (81.0 x 89.0 mm)*1<br>3.19 x 3.43 in (81.0 x 87.2 mm)*2         |
| Displacement      | 112 cu-in (1,834 cm <sup>3</sup> ) *1<br>110 cu-in (1,797 cm <sup>3</sup> ) *2 |
| Compression ratio | 9.2 : 1*1<br>10.0 : 1*3<br>10.6 : 1*4                                          |
| Spark plugs       | See spark plug maintenance section page 191 .                                  |

\* 1 : SE, LS, GS \* 2: GS-R, Type-R \* 3 : GS-R \* 4: Type-R

## Air Conditioning

|                  |                          |
|------------------|--------------------------|
| Refrigerant type | HFC-134a (R-134a)        |
| Charge quantity  | 22.9–24.7 oz (650–700 g) |
| Lubricant type   | ND-OIL8                  |

## Capacities

|                |                  |                                                                                |
|----------------|------------------|--------------------------------------------------------------------------------|
| Fuel tank      |                  | Approx.<br>13.2 US gal (50 ℓ , 11.0 Imp gal)                                   |
| Engine coolant | Change*1         |                                                                                |
|                | Manual           | 1.16 US gal (4.4 ℓ , 0.97 Imp gal) *2<br>1.24 US gal (4.7 ℓ , 1.03 Imp gal) *3 |
|                | Automatic        | 1.24 US gal (4.7 ℓ , 1.03 Imp gal)                                             |
|                | Total            |                                                                                |
|                | Manual           | 1.69 US gal (6.4 ℓ , 1.41 Imp gal) *2<br>1.77 US gal (6.7 ℓ , 1.47 Imp gal) *3 |
|                | Automatic        | 1.77 US gal (6.7 ℓ , 1.47 Imp gal)                                             |
| Engine oil     | Change*4         |                                                                                |
|                | Including filter | 4.0 US qt (3.8 ℓ , 3.3 Imp qt) *2<br>4.2 US qt (4.0 ℓ , 3.5 Imp qt) *3         |
|                | Without filter   | 3.7 US qt (3.5 ℓ , 3.1 Imp qt) *2<br>3.9 US qt (3.7 ℓ , 3.3 Imp qt) *3         |
|                | Total            | 4.9 US qt (4.6 ℓ , 4.0 Imp qt) *2<br>5.1 US qt (4.8 ℓ , 4.2 Imp qt) *3         |

\* 1 : Including the coolant in the reserve tank and that remaining in the engine.

Reserve tank capacity:  
0.16 US gal (0.6 ℓ , 0.13 Imp gal)

\* 2 : SE, LS, GS

\* 3 : GS-R, Type-R

\* 4 : Excluding the oil remaining in the engine.

## Capacities

|                              |               |                                                                                                |
|------------------------------|---------------|------------------------------------------------------------------------------------------------|
| Manual transmission fluid    | Change        | 2.2 US qt (2.1 ℓ , 1.8 Imp qt) * <sup>1</sup><br>2.3 US qt (2.2 ℓ , 1.9 Imp qt) * <sup>2</sup> |
|                              | Total         | 2.3 US qt (2.2 ℓ , 1.9 Imp qt) * <sup>1</sup><br>2.4 US qt (2.3 ℓ , 2.0 Imp qt) * <sup>2</sup> |
| Automatic transmission fluid | Change        | 2.9 US qt (2.7 ℓ , 2.4 Imp qt)                                                                 |
|                              | Total         | 6.2 US qt (5.9 ℓ , 5.2 Imp qt)                                                                 |
| Windshield washer reservoir  | U.S. cars     | 2.6 US qt (2.5 ℓ , 2.2 Imp qt)                                                                 |
|                              | Canadian cars | 4.8 US qt (4.5 ℓ , 4.0 Imp qt)                                                                 |

\* 1 : Type-R \* 2 : SE, LS, GS, GS-R

## Lights

|                                  |      |                           |
|----------------------------------|------|---------------------------|
| Headlights                       | High | 12 V — 60 W (HB3)         |
|                                  | Low  | 12 V — 51 W (HB4)         |
| Front turn signal/parking lights |      | 12 V — 32/3 CP (SAE 1157) |
| Front side marker lights         |      | 12 V — 3 CP (SAE 168)     |
| Rear turn signal lights          |      | 12 V — 32 CP (SAE 1156)   |
| Stop/Taillights                  |      | 12 V — 32/3 CP (SAE 1157) |
| High-mount brake light*          |      | 12 V — 21 CP (SAE 921)    |
| Rear side marker lights          |      | 12 V — 3 CP (SAE 168)     |
| Back-up lights                   |      | 12 V — 32 CP (SAE 1156)   |
| License plate lights             |      | 12 V — 8 W                |
| Ceiling light                    |      | 12 V — 5 W                |
| Cargo area light                 |      | 12 V — 3.4 W              |
| Spotlights                       |      | 12 V — 5 W                |

\* : Except high-mount brake light installed in rear spoiler

## Battery

|          |                   |
|----------|-------------------|
| Capacity | 12 V — 36 AH/5 HR |
|----------|-------------------|

## Fuses

|            |                                                                                                 |
|------------|-------------------------------------------------------------------------------------------------|
| Interior   | See page 246 or the fuse label attached to the inside of the fuse box door under the dashboard. |
| Under-hood | See page 247 or the fuse box cover.                                                             |

## Alignment

|        |       |                   |
|--------|-------|-------------------|
| Toe-in | Front | 0.0 in (0 mm)     |
|        | Rear  | 0.08 in (2.0 mm)  |
| Camber | Front | —0°05'<br>—0°30'* |
|        | Rear  | —0°45'            |
| Caster | Front | 1°10'             |

\* : Type-R

## Tires

|      |            |                                                                                                                              |
|------|------------|------------------------------------------------------------------------------------------------------------------------------|
| Size | Front/Rear | P195/60R14 85H * <sup>1</sup><br>P195/55R15 84V * <sup>2</sup><br>195/55R15 84V * <sup>3</sup>                               |
|      | Spare      | T115/70D14 88M * <sup>1</sup><br>T125/70D14 93M * <sup>2</sup><br>T125/70D15 95M * <sup>3</sup>                              |
|      | Pressure   | Front                                                                                                                        |
|      | Rear       | 29 psi (200 kPa , 2.0 kgf/cm <sup>2</sup> ) * <sup>1</sup><br>33 psi (230 kPa , 2.3 kgf/cm <sup>2</sup> ) * <sup>2, *3</sup> |
|      | Spare      | 60 psi (420 kPa , 4.20 kgf/cm <sup>2</sup> )                                                                                 |

\* 1 : SE \* 2 : LS, GS, GS-R \* 3 : Type-R

## DOT Tire Quality Grading (U.S. Cars)

---

The tires on your car meet all U.S. Federal Safety Requirements. All tires are also graded for treadwear, traction, and temperature performance according to Department of Transportation (DOT) standards. The following explains these gradings.

### Uniform Tire Quality Grading

Quality grades can be found where applicable on the tire sidewall between the tread shoulder and the maximum section width. For example:

**Treadwear 200**  
**Traction AA**  
**Temperature A**

### DOT Quality Grades

All passenger car tires must conform to Federal Safety Requirements in addition to these grades.

### Treadwear

The treadwear grade is a comparative rating based on the wear rate of the tire when tested under controlled conditions on a specified government test course. For example, a tire graded 150 would wear one and one-half (1 1/2) times as well on the government course as a tire graded 100. The relative performance of tires depends upon the actual conditions of their use, however, and may depart significantly from the norm due to variations in driving habits, service practices and differences in road characteristics and climate.

### Traction — AA, A, B, C

The traction grades, from highest to lowest, are AA, A, B, and C. Those grades represent the tire's ability to stop on wet pavement as measured under controlled conditions on specified government test surfaces of asphalt and concrete. A tire marked C may have poor traction performance.

Warning: The traction grade assigned to this tire is based on straight-ahead braking traction tests, and does not include acceleration, cornering, hydroplaning, or peak traction characteristics.

### **Temperature — A, B, C**

The temperature grades are A (the highest), B, and C, representing the tire's resistance to the generation of heat and its ability to dissipate heat when tested under controlled conditions on a specified indoor laboratory test wheel. Sustained high temperature can cause the material of the tire to degenerate and reduce tire life, and excessive temperature can lead to sudden tire failure. The grade C corresponds to a level of performance which all passenger car tires must meet under the Federal Motor Vehicle Safety Standard No. 109. Grades B and A represent higher levels of performance on the laboratory test wheel than the minimum required by law.

Warning: The temperature grade for this tire is established for a tire that is properly inflated and not overloaded. Excessive speed, underinflation, or excessive loading, either separately or in combination, can cause heat buildup and possible tire failure.

## Oxygenated Fuels

---

Some conventional gasolines are being blended with alcohol or an ether compound. These gasolines are collectively referred to as oxygenated fuels. To meet clean air standards, some areas of the United States and Canada use oxygenated fuels to help reduce emissions.

If you use an oxygenated fuel, be sure it is unleaded and meets the minimum octane rating requirement.

Before using an oxygenated fuel, try to confirm the fuel's contents. Some states/provinces require this information to be posted on the pump.

The following are the U.S. EPA and Canadian CGSB approved percentages of oxygenates:

**ETHANOL** (ethyl or grain alcohol)  
You may use gasoline containing up to 10 percent ethanol by volume. Gasoline containing ethanol may be marketed under the name "Gasohol."

**MTBE** (Methyl Tertiary Butyl Ether)  
You may use gasoline containing up to 15 percent MTBE by volume.

**METHANOL** (methyl or wood alcohol)  
Your vehicle was not designed to use fuel that contains methanol. Methanol can corrode metal parts in the fuel system, and also damage plastic and rubber components. This damage would not be covered by your warranties.

If you notice any undesirable operating symptoms, try another service station or switch to another brand of gasoline.

Fuel system damage or performance problems resulting from the use of an oxygenated fuel containing more than the percentages of oxygenates given above are not covered under warranty.

If you are planning to take your Acura outside the U.S. or Canada, contact the tourist bureaus in the areas you will be traveling in to find out about the availability of unleaded gasoline with the proper octane rating.

If unleaded gasoline is not available, be aware that using leaded gasoline in your Acura will affect performance and fuel mileage, and damage its emissions controls. It will no longer comply with U.S. and Canadian emissions regulations, and will be illegal to operate in North America. To bring your car back into compliance will require the replacement of several components, such as the oxygen sensors and the three way catalytic converter. These replacements are not covered under warranty.

## Emissions Controls

---

The burning of gasoline in your car's engine produces several byproducts. Some of these are carbon monoxide (CO), oxides of nitrogen (NOx) and hydrocarbons (HC). Gasoline evaporating from the tank also produces hydrocarbons. Controlling the production of NOx, CO, and HC is important to the environment. Under certain conditions of sunlight and climate, NOx and HC react to form photochemical "smog." Carbon monoxide does not contribute to smog creation, but it is a poisonous gas.

### The Clean Air Act

The United States Clean Air Act\* sets standards for automobile emissions. It also requires that automobile manufacturers explain to owners how their emissions controls work and what to do to maintain them. This section summarizes how the emissions controls work. Scheduled maintenance is on page [164](#).

\* In Canada, Acura vehicles comply with the Canadian Motor Vehicle Safety Standards (CMVSS) for Emissions valid at the time they are manufactured.

### Crankcase Emissions Control System

Your car has a Positive Crankcase Ventilation System. This keeps gasses that build up in the engine's crankcase from going into the atmosphere. The Positive Crankcase Ventilation valve routes them from the crankcase back to the intake manifold. They are then drawn into the engine and burned.

### Evaporative Emissions Control System

As gasoline evaporates in the fuel tank, an evaporative emissions control canister filled with charcoal adsorbs the vapor. It is stored in this canister while the engine is off. After the engine is started and warmed up, the vapor is drawn into the engine and burned during driving.

### **Onboard Refueling Vapor Recovery**

The Onboard Refueling Vapor Recovery (ORVR) system captures the fuel vapors during refueling. The vapors are adsorbed in a canister filled with activated carbon. While driving, the fuel vapors are drawn into the engine and burned off.

### **Exhaust Emissions Controls**

The exhaust emissions controls include three systems: PGM-FI, Ignition Timing Control and Three Way Catalytic Converter. These three systems work together to control the engine's combustion and minimize the amount of HC, CO, and NOx that comes out the tailpipe. The exhaust emissions control systems are separate from the crankcase and evaporative emissions control systems.

### ***PGM-FI System***

The PGM-FI System uses sequential multiport fuel injection. It has three subsystems: Air Intake, Engine Control, and Fuel Control. The Engine Control Module (ECM) or the Powertrain Control Module (PCM) uses various sensors to determine how much air is going into the engine. It then controls how much fuel to inject under all operating conditions.

### ***Ignition Timing Control System***

This system constantly adjusts the ignition timing, reducing the amount of HC, CO and NOx produced.

### ***Three Way Catalytic Converter***

The three way catalytic converter is in the exhaust system. Through chemical reactions, it converts HC, CO, and NOx in the engine's exhaust to carbon dioxide (CO<sub>2</sub>), dinitrogen (N<sub>2</sub>), and water vapor.

### **Replacement Parts**

The emissions control systems are designed and certified to work together in reducing emissions to levels that comply with the Clean Air Act. To make sure the emissions remain low, you should use only new Genuine Acura replacement parts or their equivalent for repairs. Using lower quality parts may increase the emissions from your car.

The emissions control systems are covered by warranties separate from the rest of your car. Read your warranty manual for more information.

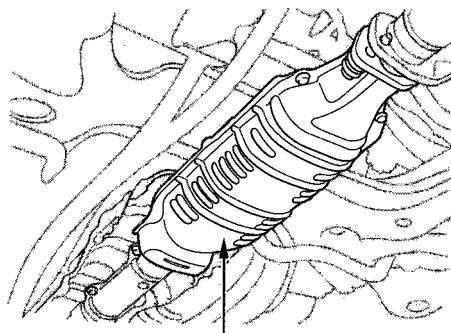


## Three Way Catalytic Converter

---

The three way catalytic converter contains precious metals that serve as catalysts, promoting chemical reactions to convert the exhaust gasses without affecting the metals. The catalytic converter is referred to as a three-way catalyst, since it acts on HC, CO, and NOx. A replacement unit must be an original Acura part or its equivalent.

The three way catalytic converter must operate at a high temperature for the chemical reactions to take place. It can set on fire any combustible materials that come near it. Park your car away from high grass, dry leaves, or other flammables.



**THREE WAY CATALYTIC CONVERTER**

A defective three way catalytic converter contributes to air pollution, and can impair your engine's performance. Follow these guidelines to protect your car's three way catalytic converter.

- Always use unleaded gasoline. Even a small amount of leaded gasoline can contaminate the catalyst metals, making the three way catalytic converter ineffective.

- Keep the engine tuned-up.
- Have your car diagnosed and repaired if it is misfiring, back-firing, stalling, or otherwise not running properly.

### Testing of Readiness Codes

If you take your vehicle for a state emissions test shortly after the battery has been disconnected or gone dead, it may not pass the test. This is because of certain "readiness codes" that must be set in the on-board diagnostics for the emissions systems. These codes are erased when the battery is disconnected, and set again only after several days of driving under a variety of conditions.

If the testing facility determines that the readiness codes are not set, you will be requested to return at a later date to complete the test. If you must get the vehicle re-tested within the next two or three days, you can condition the vehicle for re-testing by doing the following.

- Make sure the gas tank is nearly, but not completely, full (around 3/4).
- Make sure the vehicle has been parked with the engine off for 8 hours or more.
- Make sure the ambient temperature is between 20° and 95° F.

- Without touching the accelerator pedal, start the engine and let it idle for 20 seconds.
- Keep the vehicle in Park (automatic transmission) or Neutral (manual transmission). Increase the engine speed to 2,000 rpm and hold it there until the temperature gauge rises to at least 1/4 of the scale (approximately 3 minutes).

*CONTINUED*

## State Emissions Testing

---

- Select a nearby lightly traveled major highway where you can maintain a speed of 50 to 60 mph (80 to 90 km/h) for at least 20 minutes. Drive on the highway in D4 (A/T) or 5th (M/T). Do not use the cruise control. When traffic allows, drive for 90 seconds without moving the accelerator pedal. (Vehicle speed may vary slightly; this is okay.) If you cannot do this for a continuous 90 seconds because of traffic conditions, drive for at least 30 seconds, then repeat it two more times (for a total of 90 seconds).
- Then drive in city/suburban traffic for at least 10 minutes. When traffic conditions allow, let the vehicle coast for several seconds without using the accelerator pedal or the brake pedal.

If the testing facility determines the readiness codes are still not set, see your Acura dealer.

# Warranty and Customer Relations

---

- Customer Relations
  - Information..... 266
  - Canada Zone Office Map..... 267
  - Warranty Coverages..... 268
  - Reporting Safety Defects  
(U.S. Vehicles)..... 269
  - Authorized Manuals..... 271

## Customer Relations Information

---

Acura dealership personnel are trained professionals. They should be able to answer all your questions. If you encounter a problem that your dealership does not solve to your satisfaction, please discuss it with the dealership's management. The Service Manager or General Manager can help. Almost all problems are solved in this way.

If you are dissatisfied with the decision made by the dealership's management, contact the Acura Customer Relations Office.

U.S. Owners:

Acura Automobile Division  
Client Services Office  
American Honda Motor Co., Inc.  
1919 Torrance Blvd.  
Torrance, CA 90501-2746

or telephone: (800) 382-2238

In Puerto Rico and the U.S. Virgin Islands:

Vortex Motor Corp.  
Bella International  
P.O. Box 190816  
San Juan, PR 00919-0816  
(787) 250-4327

Canadian Owners:

Refer to the Canadian Zone Office Map on the next page.

When you call or write, please give us this information:

- Vehicle Identification Number (see page [252](#))
- Name and address of the dealer who services your car
- Date of purchase
- Mileage on your car
- Your name, address, and telephone number
- A detailed description of the problem
- Name of the dealer who sold the car to you



## Warranty Coverages

---

### U.S. Owners

Your new Acura is covered by these warranties:

***New Vehicle Limited Warranty*** — covers your new vehicle, except for the battery, emissions control systems and accessories, against defects in materials and workmanship.

***Emissions Control Systems Defects Warranty and Emissions Performance Warranty*** — these two warranties cover your vehicle's emissions control systems. Time, mileage, and coverage are conditional. Please read the warranty manual for exact information.

***Original Equipment Battery Limited Warranty*** — this warranty gives up to 100 percent credit toward a replacement battery.

***Seat Belt Limited Warranty*** — a seat belt that fails to function properly is covered for the useful life of the vehicle.

***Rust Perforation Limited Warranty*** — all exterior body panels are covered for rust-through from the inside for the specified time period with no mileage limit.

***Accessory Limited Warranty*** — Genuine Acura Accessories are covered under this warranty. Time and mileage limits depend on the type of accessory and other factors. Please read your warranty manual for details.

***Replacement Parts Limited Warranty*** — covers all genuine Honda replacement parts against defects in materials and workmanship.

***Replacement Battery Limited Warranty*** — provides prorated coverage for a replacement battery purchased from an Acura dealer.

***Replacement Muffler Lifetime Limited Warranty*** — provides coverage for as long as the purchaser of the muffler owns the car.

Restrictions and exclusions apply to all these warranties. Please read the 2001 Acura Warranty Information booklet that came with your car for precise information on warranty coverages. Your Acura's original tires are covered by their manufacturer. Tire warranty information is in a separate booklet.

### Canadian Owners

Please refer to the 2001 Warranty Manual that came with your car.

## Reporting Safety Defects (U.S. Vehicles)

---

If you believe that your vehicle has a defect which could cause a crash or could cause injury or death, you should immediately inform the National Highway Traffic Safety Administration (NHTSA) in addition to notifying Acura Automobile Division, American Honda Motor Co., Inc.

If NHTSA receives similar complaints, it may open an investigation, and if it finds that a safety defect exists in a group of vehicles, it may order a recall and remedy campaign. However, NHTSA cannot become involved in individual problems between you, your dealer, or Acura Automobile Division, American Honda Motor Co., Inc.

To contact NHTSA, you may either call the Auto Safety Hotline toll-free at 1-800-424-9393 (or 366-0123 in Washington D.C. area) or write to: NHTSA, U.S. Department of Transportation, Washington, D.C. 20590. You can also obtain other information about motor vehicle safety from the Hotline.





# Authorized Manuals

## Purchasing Factory Authorized Manuals (U.S. only)

The following publications covering the operation and servicing of your vehicle can be obtained from Helm Incorporated, either by filling out the attached form or, for credit card holders, calling the toll-free phone number on the form. For manuals prior to the year shown below, contact Helm Incorporated, P.O. Box 07280, Detroit, Michigan 48207, or call 1-800-7824356.

| Publication Form Number | Form Description                                                   | Price Each* |
|-------------------------|--------------------------------------------------------------------|-------------|
| 61ST705                 | 1998 Acura Integra 3/4 Door Service Manual Base Book               | \$62.00     |
| 61ST708                 | 2001 Acura Integra 3/4 Door Service Manual Supplement              | \$36.00     |
| 61ST708EL               | 1998-2001 Acura Integra 3/4 Door Electrical Troubleshooting Manual | \$42.00     |
| 61ST730                 | 1994-2001 Acura Integra 3/4 Door Body Repair Manual                | \$40.00     |
| 61ST731                 | 1997-1998, 2000-2001 Acura Integra 3/4 Door Body Repair Manual     | \$30.00     |
| 31ST7670                | 2001 Acura Integra 3 Door Owner's Manual                           | \$32.00     |
| ACU-R                   | Order Form for Previous Years- Indicate Year and Model Desired     | FREE        |

\* Prices are subject to change without notice and without incurring obligation.

Valid only for sales within the U.S. Canadian owners should contact their authorized Acura dealer.

**ORDER TOLL FREE: 1-800-782-4356**

(NOTE: For Credit Card Holder Orders Only)

Monday-Friday 8:00 A.M. – 6:00 P.M. EST

**MINIMUM CREDIT CARD PURCHASE \$10.00**

**OR**

By completing this form you can order the materials desired. You can pay by check or money order, or charge to your credit card. Mail to Helm Incorporated at the address shown on the back of the order form.

| 2001<br>ACU                                                                     | PUBLICATION NUMBER | VEHICLE MODEL |      | Qty | Price Each*                      | Total Price |
|---------------------------------------------------------------------------------|--------------------|---------------|------|-----|----------------------------------|-------------|
|                                                                                 |                    | Name          | Year |     |                                  |             |
|                                                                                 |                    |               |      |     |                                  |             |
|                                                                                 |                    |               |      |     |                                  |             |
|                                                                                 |                    |               |      |     |                                  |             |
|                                                                                 |                    |               |      |     |                                  |             |
| * Prices are subject to change without notice and without incurring obligation. |                    |               |      |     | TOTAL MATERIAL                   |             |
|                                                                                 |                    |               |      |     | Mich. Purchases Add 6% Sales Tax |             |
|                                                                                 |                    |               |      |     | HANDLING CHARGE                  | \$6.00      |
| Orders are mailed within 10 days. Please allow adequate time for delivery.      |                    |               |      |     | GRAND TOTAL                      |             |
|                                                                                 |                    |               |      |     |                                  |             |



## A

|                                           |         |
|-------------------------------------------|---------|
| Accessories and Modifications....         | 130     |
| Accessories.....                          | 130     |
| Additional Safety Precaution....          | 131     |
| Modifications.....                        | 131     |
| ACCESSORY (Ignition Key<br>Position)..... | 74      |
| Additives, Engine Oil.....                | 175     |
| Airbag (SRS).....                         | 9, 45   |
| Air Cleaner Element.....                  | 188     |
| Air Conditioning System.....              | 94      |
| Maintenance.....                          | 196     |
| Usage.....                                | 94      |
| Air Outlets (Vents).....                  | 96      |
| Air Pressure, Tires.....                  | 198     |
| Alcohol in Gasoline.....                  | 258     |
| Antifreeze.....                           | 178     |
| Anti-lock Brakes (ABS)                    |         |
| Indicator.....                            | 55, 148 |
| Operation.....                            | 146     |
| Anti-theft Steering Column                |         |
| Lock.....                                 | 74      |
| Appearance Care.....                      | 217     |
| Ashtrays.....                             | 91      |
| Audio System.....                         | 102     |

|                                  |     |
|----------------------------------|-----|
| Automatic Speed Control.....     | 67  |
| Automatic Transmission.....      | 140 |
| Capacity, Fluid.....             | 255 |
| Checking Fluid Level.....        | 183 |
| Shifting.....                    | 140 |
| Shift Lever Position Indicator.. | 140 |
| Shift Lever Positions.....       | 140 |
| Shift Lock Release.....          | 143 |

## B

|                             |         |
|-----------------------------|---------|
| Battery                     |         |
| Charging System             |         |
| Indicator.....              | 55, 239 |
| Jump Starting.....          | 233     |
| Maintenance.....            | 191     |
| Specifications.....         | 255     |
| Before Driving.....         | 121     |
| Belts, Seat.....            | 8, 42   |
| Beverage Holder.....        | 89      |
| Body Repair.....            | 224     |
| Brakes                      |         |
| Anti-lock System (ABS)..... | 146     |
| Break-in, New Linings.....  | 123     |
| Bulb Replacement.....       | 212     |
| Fluid.....                  | 185     |

|                                    |         |
|------------------------------------|---------|
| Parking.....                       | 87      |
| System Indicator.....              | 54, 241 |
| Wear Indicators.....               | 145     |
| Braking System.....                | 145     |
| Break-in, New Car.....             | 123     |
| Brightness Control, Instruments... | 63      |
| Brights, Headlights.....           | 62      |
| Bulb Replacement                   |         |
| Back-up Lights.....                | 212     |
| Brake Lights.....                  | 212     |
| Cargo Area Light.....              | 215     |
| Ceiling Light.....                 | 215     |
| Front Parking Lights.....          | 210     |
| Front Side Marker Lights.....      | 210     |
| Headlights.....                    | 209     |
| High-mount Brake Light.....        | 211     |
| License Plate Light.....           | 214     |
| Rear Side Marker Lights.....       | 212     |
| Specifications.....                | 255     |
| Spotlights.....                    | 215     |
| Turn Signal Lights.....            | 210     |
| Bulbs, Halogen.....                | 209     |

CONTINUED

# Index

---

## C

|                                |          |
|--------------------------------|----------|
| Capacities Chart.....          | 254, 255 |
| Carbon Monoxide Hazard.....    | 49       |
| Cargo Area Cover.....          | 83       |
| Carrying Cargo.....            | 132      |
| Cassette Player                |          |
| Care.....                      | 118      |
| Operation.....                 | 115      |
| CAUTION, Explanation of.....   | ii       |
| CD Changer.....                | 111      |
| CD Player.....                 | 109      |
| Certification Label.....       | 252      |
| Chains.....                    | 204      |
| Changing Oil                   |          |
| How to.....                    | 175      |
| When to.....                   | 162      |
| Changing a Flat Tire.....      | 227      |
| Changing Engine Coolant.....   | 180      |
| Charging System Indicator....  | 55, 239  |
| Checklist, Before Driving..... | 136      |
| Child Safety.....              | 21       |
| Child Seats.....               | 26       |
| Tether Anchorage Points.....   | 41       |
| Cleaner Element, Air.....      | 188      |

|                                |     |
|--------------------------------|-----|
| Cleaning                       |     |
| Aluminum Wheels.....           | 219 |
| Antenna.....                   | 218 |
| Carpeting.....                 | 220 |
| Exterior.....                  | 218 |
| Fabric.....                    | 221 |
| Interior.....                  | 220 |
| Leather.....                   | 221 |
| Seat Belts.....                | 221 |
| Vinyl.....                     | 221 |
| Windows.....                   | 222 |
| Clock, Setting the.....        | 88  |
| Clutch Fluid.....              | 185 |
| Code, Audio System.....        | 119 |
| CO in the Exhaust.....         | 260 |
| Cold Weather, Starting in..... | 137 |
| Compact Spare.....             | 226 |
| Console Compartment.....       | 90  |
| Consumer Information*.....     | 266 |
| Controls, Instruments and..... | 51  |
| Coolant                        |     |
| Adding.....                    | 178 |
| Checking.....                  | 128 |
| Proper Solution.....           | 178 |
| Replacing.....                 | 180 |
| Temperature Gauge.....         | 59  |

|                                |     |
|--------------------------------|-----|
| Corrosion Protection.....      | 223 |
| Crankcase Emissions Control    |     |
| System.....                    | 260 |
| Cruise Control Operation.....  | 67  |
| Customer Relations Office..... | 266 |

## D

|                                 |       |
|---------------------------------|-------|
| DANGER, Explanation of.....     | ii    |
| Dashboard.....                  | 2, 52 |
| Daytime Running Lights.....     | 62    |
| Defects, Reporting Safety.....  | 269   |
| Defog and Defrost.....          | 100   |
| Defogger, Rear Window.....      | 65    |
| Dimensions.....                 | 254   |
| Dimming the Headlights.....     | 62    |
| Dipstick                        |       |
| Automatic Transmission.....     | 183   |
| Engine Oil.....                 | 127   |
| Directional Signals.....        | 63    |
| Disc Brake Wear Indicators..... | 145   |
| Disposal of Used Oil.....       | 177   |
| Doors                           |       |
| Locking and Unlocking.....      | 75    |
| Power Door Locks.....           | 75    |
| DOT Tire Quality Grading.....   | 256   |

|                                                |     |
|------------------------------------------------|-----|
| Downshifting, 5-speed Manual Transmission..... | 138 |
| Drive Belts.....                               | 197 |
| Driver and Passenger Safety.....               | 5   |
| Driving.....                                   | 135 |
| Economy.....                                   | 129 |
| In Bad Weather.....                            | 149 |
| In Foreign Countries.....                      | 259 |

## E

|                                 |     |
|---------------------------------|-----|
| Economy, Fuel.....              | 129 |
| Emergencies on the Road.....    | 225 |
| Battery, Jump Starting.....     | 233 |
| Brake System Indicator.....     | 241 |
| Changing a Flat Tire.....       | 227 |
| Charging System Indicator.....  | 239 |
| Checking the Fuses.....         | 244 |
| Low Oil Pressure Indicator..... | 238 |
| Malfunction Indicator Lamp....  | 240 |
| Manually Closing Moonroof....   | 242 |
| Overheated Engine.....          | 236 |
| Emergency Brake.....            | 87  |
| Emergency Flashers.....         | 65  |
| Emergency Towing.....           | 248 |
| Emissions Controls.....         | 260 |

|                                              |         |
|----------------------------------------------|---------|
| Emissions Testing, State.....                | 263     |
| Engine                                       |         |
| Coolant Temperature Gauge....                | 59      |
| Drive Belts.....                             | 197     |
| Malfunction Indicator Lamp.....              | 55, 240 |
| Oil Pressure Indicator.....                  | 55, 238 |
| Oil, What Kind to Use.....                   | 173     |
| Overheating.....                             | 236     |
| Specifications.....                          | 254     |
| Starting.....                                | 137     |
| Ethanol in Gasoline.....                     | 258     |
| Evaporative Emissions Controls..             | 260     |
| Exhaust Fumes.....                           | 49      |
| Expectant Mothers, Use of Seat Belts by..... | 19      |
| Exterior, Cleaning the.....                  | 218     |

## F

|                                        |     |
|----------------------------------------|-----|
| Fabric, Cleaning.....                  | 221 |
| Fan, Interior.....                     | 94  |
| Features, Comfort and Convenience..... | 93  |
| Filling the Fuel Tank.....             | 124 |

|                                    |     |
|------------------------------------|-----|
| Filters                            |     |
| Air Cleaner.....                   | 188 |
| Oil.....                           | 175 |
| 5-speed Manual Transmission        |     |
| Checking Fluid Level.....          | 185 |
| Shifting the.....                  | 138 |
| Flashers, Hazard Warning.....      | 65  |
| Flat Tire, Changing a.....         | 227 |
| Fluids                             |     |
| Automatic Transmission.....        | 183 |
| Brake.....                         | 185 |
| Clutch.....                        | 185 |
| Manual Transmission.....           | 185 |
| Power Steering.....                | 187 |
| Windshield Washer.....             | 182 |
| FM Stereo Radio                    |     |
| Reception.....                     | 103 |
| Folding Rear Seat.....             | 83  |
| Foreign Countries, Driving in..... | 259 |
| Four-way Flashers.....             | 65  |

CONTINUED

# Index

---

|                          |     |
|--------------------------|-----|
| Fuel.....                | 123 |
| Fill Door and Cap.....   | 124 |
| Gauge.....               | 59  |
| Octane Requirement.....  | 123 |
| Oxygenated.....          | 258 |
| Reserve Indicator.....   | 54  |
| Tank, Filling the.....   | 124 |
| Fuses, Checking the..... | 243 |

## G

|                                |     |
|--------------------------------|-----|
| Gas Mileage, Improving.....    | 129 |
| Gasohol.....                   | 258 |
| Gasoline.....                  | 123 |
| Fuel Reserve Indicator.....    | 54  |
| Gauge.....                     | 59  |
| Octane Requirement.....        | 123 |
| Tank, Filling the.....         | 124 |
| Gas Station Procedures.....    | 124 |
| Gauges                         |     |
| Engine Coolant Temperature.... | 59  |
| Fuel.....                      | 59  |
| Speedometer.....               | 58  |
| Tachometer.....                | 58  |
| Gearshift Lever Positions      |     |
| Automatic Transmission.....    | 140 |

|                                     |     |
|-------------------------------------|-----|
| 5-speed Manual<br>Transmission..... | 138 |
| Glass Cleaning.....                 | 222 |
| Glove Box.....                      | 78  |

## H

|                                 |     |
|---------------------------------|-----|
| Halogen Headlight Bulbs.....    | 209 |
| Hatch.....                      | 76  |
| Opening the.....                | 76  |
| Open Monitor Light.....         | 56  |
| Hazard Warning Flashers.....    | 65  |
| Headlights                      |     |
| Aiming.....                     | 207 |
| Daytime Running Lights.....     | 62  |
| High Beam Indicator.....        | 57  |
| Reminder Chime.....             | 62  |
| Replacing Halogen Bulbs.....    | 209 |
| Turning on.....                 | 62  |
| Head Restraints.....            | 82  |
| Heating and Cooling.....        | 94  |
| High Altitude, Starting at..... | 137 |
| High-Low Beam Switch.....       | 62  |
| High-mount Brake Light.....     | 211 |
| Hood Latch.....                 | 189 |
| Hood, Opening the.....          | 125 |

|                       |     |
|-----------------------|-----|
| Horn.....             | 61  |
| Hydraulic Clutch..... | 186 |
| Hydroplaning.....     | 150 |

## I

|                                    |       |
|------------------------------------|-------|
| Identification Number, Vehicle.... | 252   |
| Ignition                           |       |
| Keys.....                          | 71    |
| Switch.....                        | 73    |
| Timing Control System.....         | 261   |
| Immobilizer System.....            | 72    |
| Important Safety Precautions.....  | 6     |
| Indicators, Instrument             |       |
| Panel.....                         | 53    |
| Infant Restraint.....              | 21    |
| Infant Seats.....                  | 30    |
| Tether Anchorage Points.....       | 41    |
| Inflation, Proper Tire.....        | 198   |
| Inside Mirror.....                 | 86    |
| Inspection, Tire.....              | 199   |
| Instrument Panel.....              | 2, 52 |
| Instrument Panel Brightness.....   | 63    |
| Interior Cleaning.....             | 220   |
| Interior Lights.....               | 92    |
| Introduction.....                  | i     |

**J**

Jacking up the Car..... 228  
Jack, Tire..... 228  
Jump Starting..... 233

**K**

Keys..... 71

**L**

Label, Certification..... 252  
Lane Change, Signaling..... 63  
Lap/Shoulder Belts..... 16, 42  
Leather, Cleaning..... 221  
Lighter, Cigarette..... 90  
Lights  
    Bulb Replacement..... 209  
    Indicator..... 53  
    Parking..... 62  
    Turn Signal..... 63  
Limited Slip Differential..... 148  
Load Limit..... 133  
LOCK (Ignition Key Position)..... 74

Locks  
    Anti-theft Steering Column..... 74  
    Fuel Fill Door..... 124  
    Glove Box..... 78  
    Hatch..... 76  
    Power Door and Hatch..... 75  
Low Coolant Level..... 128  
Lower Gear, Downshifting to a... 138  
Low Fuel Indicator..... 54  
Low Oil Pressure Indicator... 55, 238  
Lubricant Specifications  
    Chart..... 254, 255  
Luggage..... 132

**M**

Maintenance..... 159  
    Owner Maintenance Checks... 171  
    Record..... 169-170  
    Required Indicator..... 60  
    Schedule..... 164-168  
Malfunction Indicator Lamp. 55, 240  
Manual Transmission..... 138  
Manual Transmission Fluid..... 185  
Meters, Gauges..... 58  
Methanol in Gasoline..... 258

Mirrors, Adjusting..... 86  
Moonroof..... 85  
    Closing Manually..... 242  
    Operation..... 85

**N**

Neutral Gear Position..... 141  
New Vehicle Break-in..... 123  
Normal Shift Speeds..... 139  
NOTICE, Explanation of..... i  
Numbers, Identification..... 252

**O**

Octane Requirement, Gasoline... 123  
Odometer..... 58  
Odometer, Trip..... 58

*CONTINUED*



# Index

---

|                                          |         |
|------------------------------------------|---------|
| Oil                                      |         |
| Change, How to.....                      | 175     |
| Change, When to.....                     | 164     |
| Checking Engine.....                     | 127     |
| Pressure Indicator.....                  | 55, 238 |
| Selecting Proper Viscosity<br>Chart..... | 174     |
| ON (Ignition Key Position).....          | 74      |
| Onboard Refueling Vapor<br>Recovery..... | 261     |
| Operation in Foreign Countries...        | 259     |
| Outside Mirrors.....                     | 86      |
| Overheating, Engine.....                 | 236     |
| Oxygenated Fuels.....                    | 258     |
| Owner Maintenance Checks.....            | 171     |

## P

|                                  |     |
|----------------------------------|-----|
| Paint Touch-up.....              | 219 |
| Panel Brightness Control.....    | 63  |
| Park Gear Position.....          | 141 |
| Parking.....                     | 144 |
| Parking Brake.....               | 87  |
| Parking Lights.....              | 62  |
| Parking Over Things that Burn... | 144 |
| PGM-FI System.....               | 261 |

|                                        |     |
|----------------------------------------|-----|
| Polishing and Waxing.....              | 219 |
| Pre-Drive Safety Checklist.....        | 11  |
| Pregnancy, Using Seat Belts.....       | 19  |
| Protecting Adults.....                 | 12  |
| Additional Safety Precautions...       | 19  |
| Advice for Pregnant Women.....         | 19  |
| Protecting Children.....               | 21  |
| Protecting Infants.....                | 30  |
| Protecting Larger Children.....        | 38  |
| Protecting Small Children.....         | 34  |
| Using Child Seats with<br>Tethers..... | 41  |

## R

|                                  |     |
|----------------------------------|-----|
| Radiator Overheating.....        | 236 |
| Radio/CD Sound System.....       | 102 |
| Readiness Codes.....             | 263 |
| Rear Lights, Bulb Replacement... | 212 |
| Rear Seat Access.....            | 81  |
| Rear Seat, Folding.....          | 83  |
| Rear View Mirror.....            | 86  |
| Rear Window Defogger.....        | 65  |
| Rear Window Washer.....          | 65  |
| Rear Window Wiper.....           | 65  |
| Reclining the Seat Backs.....    | 79  |

|                               |     |
|-------------------------------|-----|
| Recommended Shift Speeds..... | 139 |
| Reminder Lights.....          | 53  |
| Replacement Information       |     |
| Air Cleaner Element.....      | 188 |
| Coolant.....                  | 180 |
| Engine Oil and Filter.....    | 175 |
| Fuses.....                    | 243 |
| Light Bulbs.....              | 209 |
| Schedule.....                 | 164 |
| Spark Plugs.....              | 189 |
| Timing Belt.....              | 197 |
| Tires.....                    | 202 |
| Wiper Blades.....             | 194 |

|                                            |     |
|--------------------------------------------|-----|
| Replacing Seat Belts After a<br>Crash..... | 43  |
| Reserve Tank, Engine Coolant...            | 178 |
| Restraint, Child.....                      | 21  |
| Reverse Gear Position.....                 | 141 |
| Rotation, Tire.....                        | 201 |

## S

|                      |       |
|----------------------|-------|
| Safety Belts.....    | 8, 42 |
| Safety Features..... | 7     |
| Airbags.....         | 9     |
| Door Locks.....      | 10    |

|                                     |        |                                                 |        |                                          |        |
|-------------------------------------|--------|-------------------------------------------------|--------|------------------------------------------|--------|
| Head Restraints.....                | 10     | The 5-speed Manual<br>Transmission.....         | 138    | Starting the Engine.....                 | 137    |
| Seat Belts.....                     | 8      | Side Marker Lights, Bulb<br>Replacement in..... | 210    | In Cold Weather at High<br>Altitude..... | 137    |
| Seats & Seat-Backs.....             | 10     | Signaling Turns.....                            | 63     | With a Dead Battery.....                 | 233    |
| Safety Labels, Location of.....     | 50     | Snow Tires.....                                 | 204    | Steam Coming from Engine.....            | 236    |
| Safety Messages.....                | ii     | Solvent-type Cleaners.....                      | 218    | Steering Wheel                           |        |
| Seat Belts.....                     | 8, 42  | Sound System.....                               | 102    | Adjustment.....                          | 66     |
| Additional Information.....         | 42     | Spare Tire                                      |        | Anti-theft Column Lock.....              | 74     |
| Cleaning.....                       | 221    | Inflating.....                                  | 226    | Stereo Sound System.....                 | 102    |
| Lap/Shoulder Belt.....              | 16, 42 | Specifications.....                             | 255    | Storing Your Car.....                    | 216    |
| Maintenance.....                    | 43     | Spark Plugs, Replacing.....                     | 189    | Supplemental Restraint<br>System.....    | 9, 45  |
| Reminder Light and<br>Beeper.....   | 42, 54 | Specifications Charts.....                      | 254    | Servicing.....                           | 47     |
| System Components.....              | 42     | Speed Control.....                              | 67     | SRS Indicator.....                       | 47, 55 |
| Use During Pregnancy.....           | 19     | Speedometer.....                                | 58     | Synthetic Oil.....                       | 175    |
| Wearing a Lap/Shoulder Belt....     | 16     | Spotlights.....                                 | 92     |                                          |        |
| Seats, Adjusting the.....           | 13, 79 | SRS, Additional Information.....                | 45     | <b>T</b>                                 |        |
| Serial Number.....                  | 252    | Additional Safety Precautions....               | 48     | Tachometer.....                          | 58     |
| Service Intervals.....              | 164    | How Your Airbags Work.....                      | 45     | Taillights, Changing Bulbs in.....       | 212    |
| Service Manual*.....                | 271    | How the SRS Indicator Light<br>Works.....       | 47     | Taking Care of the<br>Unexpected.....    | 225    |
| Service Station Procedures.....     | 124    | SRS Components.....                             | 45     | Tape Player.....                         | 115    |
| Setting the Clock.....              | 88     | SRS Service.....                                | 47     |                                          |        |
| Shift Lever Position Indicator..... | 140    | SRS Indicator.....                              | 47, 55 |                                          |        |
| Shift Lock Release.....             | 143    | State Emissions Testing.....                    | 263    |                                          |        |
| Shifting                            |        | START (Ignition Key Position).....              | 74     |                                          |        |
| The Automatic Transmission..        | 140    |                                                 |        |                                          |        |

CONTINUED

# Index

---

|                                    |     |
|------------------------------------|-----|
| Technical Descriptions.....        | 251 |
| Emissions Control Systems.....     | 260 |
| Oxygenated Fuels.....              | 258 |
| Three Way Catalytic Converter..... | 262 |
| Temperature Gauge.....             | 59  |
| Tether Anchorage Points.....       | 41  |
| Three Way Catalytic Converter...   | 262 |
| Time, Setting the.....             | 88  |
| Timing Belt.....                   | 197 |
| Tire Chains.....                   | 204 |
| Tire, How to Change a Flat.....    | 227 |
| Tires.....                         | 198 |
| Air Pressure.....                  | 198 |
| Checking Wear.....                 | 199 |
| Compact Spare.....                 | 226 |
| DOT Tire Quality Grading.....      | 256 |
| Inflation.....                     | 198 |
| Inspection.....                    | 199 |
| Maintenance.....                   | 200 |
| Replacing.....                     | 202 |
| Rotating.....                      | 201 |
| Snow.....                          | 204 |
| Specifications.....                | 255 |
| Tire Chains.....                   | 204 |
| Winter Driving.....                | 203 |

|                                      |          |
|--------------------------------------|----------|
| Tools, Tire Changing.....            | 227      |
| Towing                               |          |
| A Trailer.....                       | 151      |
| Emergency.....                       | 248      |
| Transmission                         |          |
| Checking Fluid Level, Automatic..... | 183      |
| Checking Fluid Level, Manual.....    | 185      |
| Fluid Selection.....                 | 184, 185 |
| Identification Number.....           | 253      |
| Shifting the Automatic.....          | 140      |
| Shifting the Manual.....             | 138      |
| Treadwear.....                       | 256      |
| Trip Meter.....                      | 58       |
| Turn Signals.....                    | 63       |

## U

|                                     |     |
|-------------------------------------|-----|
| Underside, Cleaning.....            | 223 |
| Unexpected, Taking Care of the..... | 225 |
| Uniform Tire Quality Grading.....   | 256 |
| Unleaded Gasoline.....              | 123 |
| Upholstery Cleaning.....            | 220 |
| Used Oil, How to Dispose of.....    | 177 |

## V

|                                    |     |
|------------------------------------|-----|
| Vehicle Capacity Load.....         | 133 |
| Vehicle Dimensions.....            | 254 |
| Vehicle Identification Number..... | 252 |
| Vehicle Storage.....               | 216 |
| Ventilation.....                   | 97  |
| VIN.....                           | 252 |
| Vinyl Cleaning.....                | 221 |
| Viscosity, Oil.....                | 174 |

## W

|                                  |     |
|----------------------------------|-----|
| WARNING, Explanation of.....     | ii  |
| Warning Labels, Location of..... | 50  |
| Warranty Coverages*.....         | 268 |
| Washer, Windshield               |     |
| Checking the Fluid Level.....    | 182 |
| Operation.....                   | 64  |
| Washing.....                     | 218 |
| Waxing and Polishing.....        | 219 |
| Wheels                           |     |
| Adjusting the Steering.....      | 66  |
| Alignment and Balance.....       | 200 |
| Cleaning Aluminum Alloys.....    | 219 |

|                                |     |
|--------------------------------|-----|
| Compact Spare.....             | 226 |
| Wrench.....                    | 228 |
| Windows                        |     |
| Cleaning.....                  | 222 |
| Operating the Power.....       | 84  |
| Rear, Defogger.....            | 65  |
| Windshield                     |     |
| Cleaning.....                  | 64  |
| Defroster.....                 | 100 |
| Washers.....                   | 64  |
| Wipers, Windshield             |     |
| Changing Blades.....           | 194 |
| Operation.....                 | 64  |
| Worn Tires.....                | 199 |
| Wrecker, Emergency Towing..... | 248 |

\* : U.S. and Canada only

## Service Information Summary

---

### Gasoline:

(SE, LS, GS)

Unleaded gasoline, pump octane number of 86 or higher.

(GS-R, Type-R)

Premium unleaded gasoline, pump octane number of 91 or higher.

### Fuel Tank Capacity:

13.2 US gal (50 ℓ , 11.0 Imp gal)

### Recommended Engine Oil:

API Service SJ "Energy Conserving" oil, SAE 5W-30 viscosity (see page [173](#) ).

Oil change capacity (including filter):

(SE, LS, GS)

4.0 US qt (3.8 ℓ , 3.3 Imp qt)

(GS-R, Type-R)

4.2 US qt (4.0 ℓ , 3.5 Imp qt)

### Automatic Transmission Fluid:

Honda ATF-Z1 (Automatic Transmission Fluid) preferred, or a DEXRON® III ATF as a temporary replacement (see page [184](#)).

### 5-speed Manual Transmission Fluid:

Honda Manual Transmission Fluid preferred, or an API service SG, SH or SJ, SAE 10W-30 or 10W-40 motor oil as a temporary replacement (see page [185](#)).

Capacity (including differential):

(SE, LS, GS, GS-R)

2.3 US qt (2.2 ℓ , 1.9 Imp qt)

(Type-R)

2.2 US qt (2.1 ℓ , 1.8 Imp qt)

### Power Steering Fluid:

Honda Power Steering Fluid preferred, or another brand of power steering fluid as a temporary replacement. Do not use ATF (see page [187](#)).

### Brake Fluid:

Honda Heavy Duty Brake Fluid DOT 3 preferred, or a DOT 3 or DOT 4 brake fluid as a temporary replacement (see page [186](#)).

### Tire Pressure (measured cold):

(SE)

Front/Rear:

29 psi (200 kPa , 2.0 kgf/cm<sup>2</sup>)

(LS, GS, GS-R, Type-R)

Front:

35 psi (240 kPa , 2.4 kgf/cm<sup>2</sup>)

Rear:

33 psi (230 kPa , 2.3 kgf/cm<sup>2</sup>)