

## 2002 TL Online Reference Owner's Manual

Use these links (and links throughout this manual) to navigate through this reference.  
For a printed owner's manual, click on authorized manuals or go to [www.helminc.com](http://www.helminc.com).

## Contents

---

### Owner's Identification Form

<b>Introduction</b> .....	<b>i</b>
<b>A Few Words About Safety</b> .....	<b>ii</b>
<b>Your Car at a Glance</b> .....	<b>2</b>
<b>Driver and Passenger Safety</b> .....	<b>5</b>
Proper use and care of your car's seat belts, and Supplemental Restraint System.	
<b>Instruments and Controls</b> .....	<b>55</b>
Instrument panel indicator and gauge, and how to use dashboard and steering column controls.	
<b>Comfort and Convenience Features</b> .....	<b>115</b>
How to operate the climate control system, the audio system, and other convenience features.	
<b>Before Driving</b> .....	<b>163</b>
What gasoline to use, how to break-in your new car, and how to load luggage and other cargo.	
<b>Driving</b> .....	<b>177</b>
The proper way to start the engine, shift the transmission, and park, plus towing a trailer.	
<b>Maintenance</b> .....	<b>209</b>
The Maintenance Schedule shows you when you need to take your car to the dealer.	
<b>Appearance Care</b> .....	<b>269</b>
Tips on cleaning and protecting your car. Things to look for if your car ever needs body repairs.	
<b>Taking Care of the Unexpected</b> .....	<b>277</b>
This section covers several problems motorists sometimes experience, and how to handle them.	
<b>Technical Information</b> .....	<b>305</b>
ID numbers, dimensions, capacities, and technical information.	
<b>Warranty and Customer Relations (U.S. and Canada)</b> .....	<b>319</b>
A summary of the warranties covering your new Acura, and how to contact us.	
<b>Authorized Manuals (U.S. only)</b> .....	<b>325</b>
How to order manuals and other technical literature.	
<b>Index</b> .....	<b>I</b>
<b>Service Information Summary</b>	
A summary of information you need when you pull up to the fuel pump.	

# Owner's Identification

---

OWNER \_\_\_\_\_  
\_\_\_\_\_

ADDRESS \_\_\_\_\_

STREET

\_\_\_\_\_

CITY

STATE/PROVINCE

ZIP CODE/  
POSTAL CODE

V. I. N. \_\_\_\_\_

DELIVERY DATE \_\_\_\_\_

(Date sold to original retail purchaser)

DEALER NAME \_\_\_\_\_ DEALER NO. \_\_\_\_\_

ADDRESS \_\_\_\_\_

STREET

\_\_\_\_\_

CITY

STATE/PROVINCE

ZIP CODE/  
POSTAL CODE

OWNER'S SIGNATURE \_\_\_\_\_

DEALER'S SIGNATURE \_\_\_\_\_

This Owner's Manual should be considered a permanent part of the car, and should remain with the car when it is sold.

This Owner's Manual covers all models of the Acura 3.2 TL. You may find descriptions of equipment and features that are not on your particular model.

The information and specifications included in this publication were in effect at the time of approval for printing. Honda Motor Co., Ltd. reserves the right, however, to discontinue or change specifications or design at any time without notice and without incurring any obligation whatsoever.

Congratulations! Your selection of a 2002 Acura 3.2 TL was a wise investment. It will give you years of driving pleasure.

One of the best ways to enhance the enjoyment of your new Acura is to read this manual. In it, you will learn how to operate its driving controls and convenience items. Afterwards, keep this owner's manual in your car so you can refer to it at any time.

Several warranties protect your new Acura. Read the warranty booklet thoroughly so you understand the coverages and are aware of your rights and responsibilities.

Maintaining your car according to the schedules given in this manual helps to keep your driving trouble-free while it preserves your investment. When your car needs maintenance, keep in mind that your Acura dealer's staff is specially trained in servicing the many systems unique to your Acura. Your Acura dealer is dedicated to your satisfaction and will be pleased to answer any questions and concerns.

## California Proposition 65 Warning

**WARNING:** This product contains or emits chemicals known to the State of California to cause cancer and birth defects or other reproductive harm.

As you read this manual, you will find information that is preceded by a **NOTICE** symbol. This information is intended to help you avoid damage to your Acura, other property, or the environment.

## A Few Words About Safety


---

Your safety, and the safety of others, is very important. And operating this car safely is an important responsibility.

To help you make informed decisions about safety, we have provided operating procedures and other information on labels and in this manual. This information alerts you to potential hazards that could hurt you or others.

Of course, it is not practical or possible to warn you about all the hazards associated with operating or maintaining your car. You must use your own good judgement.

You will find this important safety information in a variety of forms, including:

- **Safety Labels** — on the car.
- **Safety Messages** — preceded by a safety alert symbol  and one of three signal words: **DANGER**, **WARNING**, or **CAUTION**.

These signal words mean:

 **DANGER**

You **WILL** be **KILLED** or **SERIOUSLY HURT** if you don't follow instructions.

 **WARNING**

You **CAN** be **KILLED** or **SERIOUSLY HURT** if you don't follow instructions.

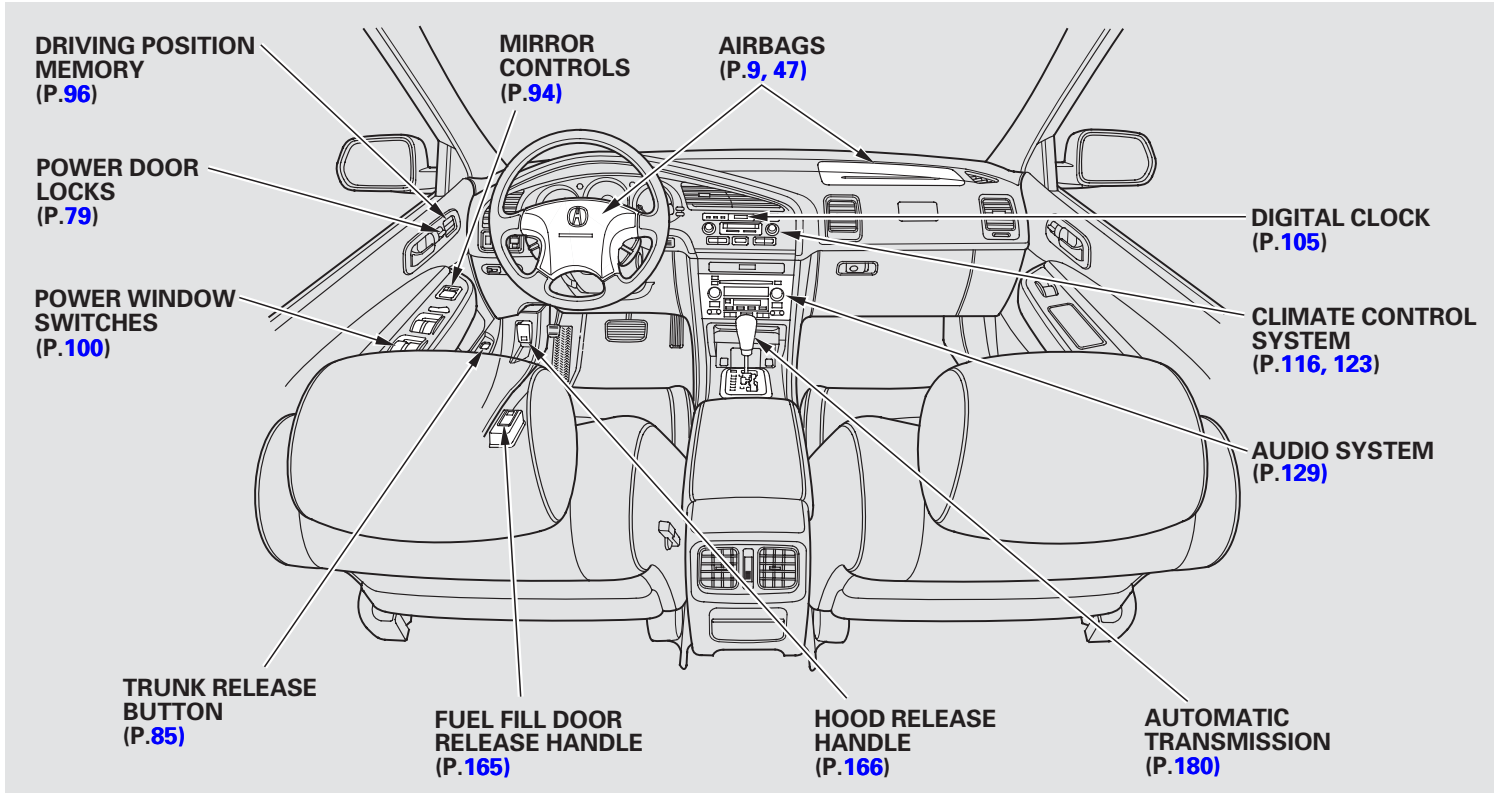
 **CAUTION**

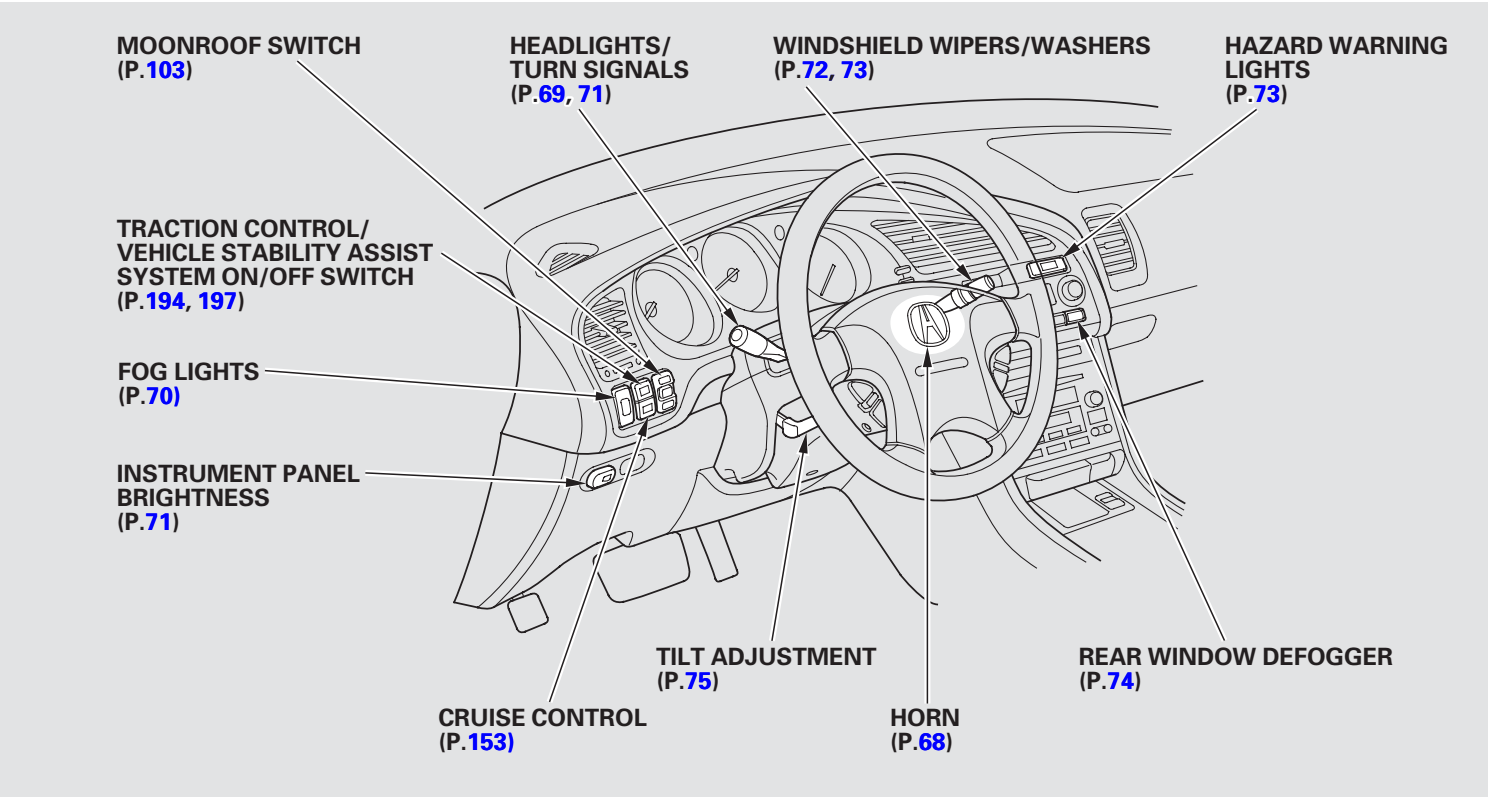
You **CAN** be **HURT** if you don't follow instructions.

- **Safety Headings** — such as Important Safety Reminders or Important Safety Precautions.
- **Safety Section** — such as Driver and Passenger Safety.
- **Instructions** — how to use this car correctly and safely.

This entire book is filled with important safety information — please read it carefully.

# Your Car at a Glance







This section gives you important information about how to protect yourself and your passengers. It shows you how to use seat belts properly. It explains your Supplemental Restraint System. And it tells you how to properly restrain infants and children in your car.

- Important Safety Precautions ..... 6
- Your Car’s Safety Features ..... 7
  - Seat Belts ..... 8
  - Airbags ..... 9
  - Seats & Seat-Backs ..... 10
  - Head Restraints ..... 10
  - Door Locks ..... 10
  - Pre-Drive Safety Checklist ..... 11
- Protecting Adults ..... 12
  - 1. Close and Lock the Doors ..... 12

- 2. Adjust the Front Seats ..... 13
- 3. Adjust the Seat-Backs ..... 14
- 4. Adjust the Head Restraints .... 15
- 5. Fasten and Position the Seat Belts ..... 15
- 6. Adjust the Steering Wheel .... 18
- 7. Maintain a Proper Sitting Position ..... 18
- Advice for Pregnant Women ..... 19
- Additional Safety Precautions ... 20
- Protecting Children ..... 21
  - All Children Must Be Restrained ..... 21
  - Children Should Sit in the Back Seat ..... 22
  - The Passenger’s Front Airbag Poses Serious Risks to Children ..... 22
  - If You Must Drive with Several Children ..... 25
  - If a Child Requires Close Attention ..... 25
  - Additional Safety Precautions ... 25
  - General Guidelines for Using Child Seats ..... 26
  - Protecting Infants ..... 30

- Protecting Small Children ..... 33
- Protecting Larger Children ..... 37
- Using Child Seats with Tethers ..... 41
- Using LATCH ..... 42
- Additional Information About Your Seat Belts ..... 44
- Seat Belt System Components... 44
- Lap/Shoulder Belt ..... 44
- Automatic Seat Belt Tensioners ..... 45
- Seat Belt Maintenance ..... 46
- Additional Information About Your Airbags ..... 47
- SRS Components ..... 47
- How Your Front Airbags Work ..... 47
- How Your Side Airbags Work... 49
- How the SRS Indicator Light Works ..... 50
- How The Side Airbag Indicator Light Works ..... 51
- Airbag Service ..... 52
- Additional Safety Precautions ... 52
- Carbon Monoxide Hazard ..... 53
- Safety Labels ..... 54



# Important Safety Precautions

---

You'll find many safety recommendations throughout this section, and throughout this manual. The recommendations on this page are the ones we consider to be the most important.

## **Always Wear Your Seat Belt**

A seat belt is your best protection in all types of collisions. Airbags supplement seat belts, but airbags are designed to inflate only in a moderate to severe frontal collision. So even though your car is equipped with airbags, make sure you and your passengers always wear your seat belts, and wear them properly. (See page [15](#).)

## **Restrain All Children**

Children are safest when they are properly restrained in the back seat, not the front seat. A child who is too small for a seat belt must be properly restrained in a child safety seat. (See page [21](#).)

## **Be Aware of Airbag Hazards**

While airbags can save lives, they can cause serious or fatal injuries to occupants who sit too close to them, or are not properly restrained. Infants, young children, and short adults are at the greatest risk. Be sure to follow all instructions and warnings in this manual. (See page [9](#).)

## **Don't Drink and Drive**

Alcohol and driving don't mix. Even one drink can reduce your ability to respond to changing conditions, and your reaction time gets worse with every additional drink. So don't drink and drive, and don't let your friends drink and drive, either.

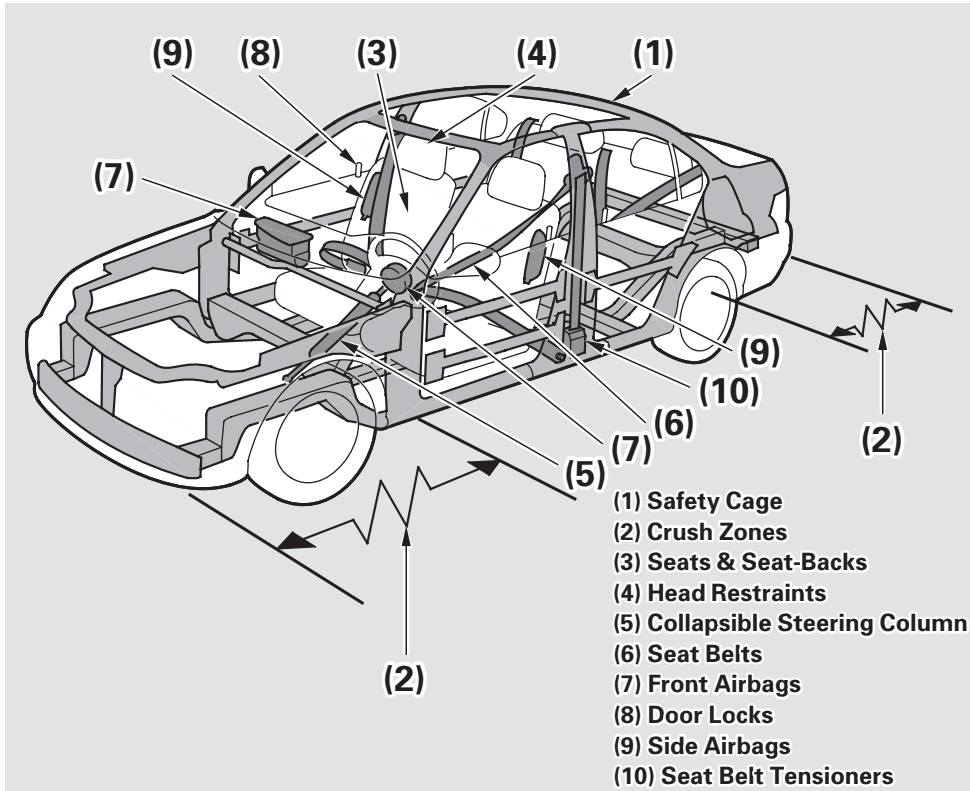
## **Control Your Speed**

Excessive speed is a major factor in crash injuries and deaths. Generally, the higher the speed the greater the risk, but serious accidents can also occur at lower speeds. Never drive faster than is safe for current conditions, regardless of the maximum speed posted.

## **Keep Your Car in Safe Condition**

Having a tire blowout or a mechanical failure can be extremely hazardous. To reduce the possibility of such problems, check your tire pressures and condition frequently, and perform all regularly scheduled maintenance. (See page [214](#).)

## Your Car's Safety Features



Your car is equipped with many features that work together to protect you and your passengers during a crash.

Some safety features do not require any action on your part. These include a strong steel framework that forms a safety cage around the passenger compartment; front and rear crush zones that are designed to crumple and absorb energy during a crash; a collapsible steering column; and seat belt tensioners that automatically tighten the front seat belts in the event of a crash.

*CONTINUED*

# Your Car's Safety Features

---

These safety features are designed to reduce the severity of injuries in a crash. However, you and your passengers can't take full advantage of these safety features unless you remain sitting in a proper position and ***always wear your seat belts properly***. In fact, some safety features can contribute to injuries if they are not used properly.

## Seat Belts

For your safety, and the safety of your passengers, your car is equipped with seat belts in all seating positions.



Your seat belt system also includes a light on the instrument panel to remind you and your passengers to fasten your seat belts.

### ***Why Wear Seat Belts***

Seat belts are the single most effective safety device for adults and larger children. (Infants and smaller children must be properly restrained in child seats.)

Not wearing a seat belt properly increases the chance of serious injury or death in a crash, even though your car has airbags.

In addition, most states and all Canadian provinces require you to wear seat belts.

## **▲ WARNING**

Not wearing a seat belt properly increases the chance of serious injury or death in a crash, even if you have airbags.

Be sure you and your passengers always wear seat belts and wear them properly.

When properly worn, seat belts:

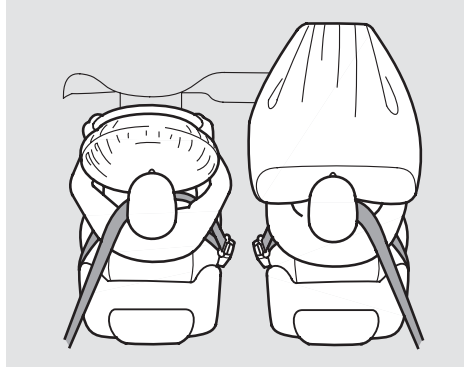
- Keep you connected to the vehicle so you can take advantage of the car's built-in safety features.
- Help protect you in almost every type of crash, including frontal, side, and rear impacts and rollovers.

- Help keep you from being thrown against the inside of the vehicle and against other occupants.
- Keep you from being thrown out of the vehicle.
- Help keep you in a good position should the airbags ever deploy. A good position reduces the risk of injury from an inflating airbag, and allows you to get the best advantage from the airbag.

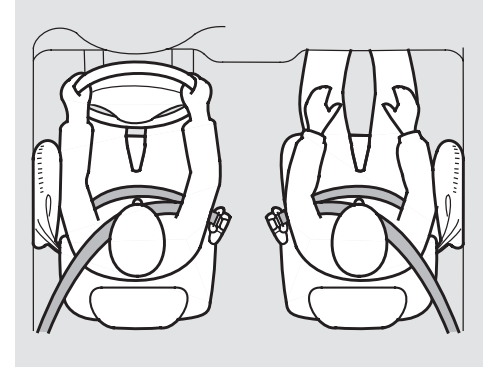
Of course, seat belts cannot completely protect you in every crash. But in most cases, seat belts can reduce your risk of serious injury.

**What you should do:** Always wear your seat belt, and make sure you wear it properly.

### Airbags



Your car has a Supplemental Restraint System (SRS) with front airbags to help protect the heads and chests of the driver and a front seat passenger during a moderate to severe frontal collision.



Your car also has side airbags to help protect the upper torso of the driver or a front seat passenger during a moderate to severe side impact.

The most important things you need to know about your airbags are:

- **Airbags do not replace seat belts.** They are designed to supplement the seat belts.

*CONTINUED*

# Your Car's Safety Features

---

- ***Airbags offer no protection in rear impacts, rollovers, or minor frontal or side collisions.***
- ***Airbags can pose serious hazards.*** To do their job, airbags must inflate with tremendous force and speed. So while airbags help save lives, they can cause minor injuries, or more serious or even fatal injuries if occupants are not properly restrained or sitting properly.

***What you should do:*** Always wear your seat belt properly, and sit upright and as far back as possible from the steering wheel or dashboard.

## **Seats & Seat-Backs**

Your car's seats are designed to keep you in a comfortable, upright position so you can take full advantage of the protection offered by seat belts and the energy absorbing materials in the seats.

How you adjust your seats and seat-backs can also affect your safety. For example, sitting too close to the steering wheel or dashboard increases the risk of you or your passenger being injured by striking the inside of the car, or by an inflating airbag.

Reclining a seat-back too far reduces the seat belt's effectiveness and increases the chance that the seat's occupant will slide under the seat belt in a crash and be seriously injured.

***What you should do:*** Move the front seats as far back as possible, and keep adjustable seat-backs in an upright position whenever the car is moving.

## **Head Restraints**

Head restraints can help protect you from whiplash and other injuries. For maximum protection, the back of your head should rest against the center of the head restraint.

## **Door Locks**

Keeping your doors locked reduces the chance of being thrown out of the car during a crash. It also helps prevent occupants from accidentally opening a door and falling out, and outsiders from unexpectedly opening your doors.

### Pre-Drive Safety Checklist

To make sure you and your passengers get the maximum protection from your car's safety features, check the following each time before you drive away:

- All adults, and children who have outgrown child safety seats, are wearing their seat belts and wearing them properly (see page [15](#)).
- Any infant or small child is properly restrained in a child seat in the back seat (see page [21](#)).

- Front seat occupants are sitting upright and as far back as possible from the steering wheel and dashboard (see page [13](#)).
- Seat-backs are upright (see page [14](#)).
- Head restraints are properly adjusted (see page [15](#)).
- All doors are closed and locked (see page [12](#)).
- All cargo is properly stored or secured (see page [173](#)).

The rest of this section gives more detailed information about how you can maximize your safety.

Remember, however, that no safety system can prevent all injuries or deaths that can occur in severe crashes, even when seat belts are properly worn and the airbags deploy.

# Protecting Adults

---

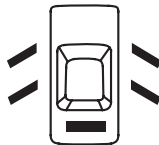
## Introduction

The following pages provide instructions on how to properly protect the driver and other adult occupants.

These instructions also apply to children who have outgrown child seats and are large enough to wear lap/shoulder belts. (See page [37](#) for important additional guidelines on how to properly protect larger children.)

## 1. Close and Lock the Doors

After everyone has entered the car, be sure the doors are closed and locked.



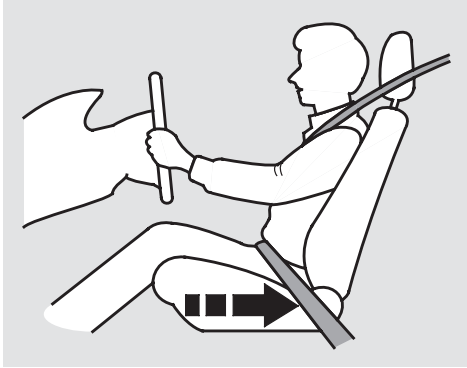
Your car has a door monitor light on the instrument panel to indicate when a specific door is not tightly closed.

For safety, locking the doors reduces the chance that a passenger, especially a child, will open a door while the car is moving and accidentally fall out. It also reduces the chance of someone being thrown out of the car during a crash.

For security, locked doors can prevent an outsider from unexpectedly opening a door when you come to a stop.

See page [79](#) for how to lock the doors.

### 2. Adjust the Front Seats



Any driver who sits too close to the steering wheel is at risk of being seriously injured or killed by striking the steering wheel or from being struck by an inflating front airbag during a crash.

To reduce the chance of injury, wear your seat belt properly, sit upright with your back against the seat and move the seat away from the steering wheel to the farthest distance that allows you maintain full control of the car.

The National Highway Traffic Safety Administration and Transport Canada recommend that drivers adjust the seat so the center of the chest is at least 10 inches away from the center of the steering wheel. Also make sure your front seat passenger moves the seat as far to the rear as possible.

### **▲ WARNING**

Sitting too close to a front airbag can result in serious injury or death if the front airbags inflate.

Always sit as far back from the front airbags as possible.

Most shorter drivers can get far enough away from the steering wheel and still reach the pedals. However, if you are concerned about sitting too close, we recommend that you investigate whether some type of adaptive equipment may help.

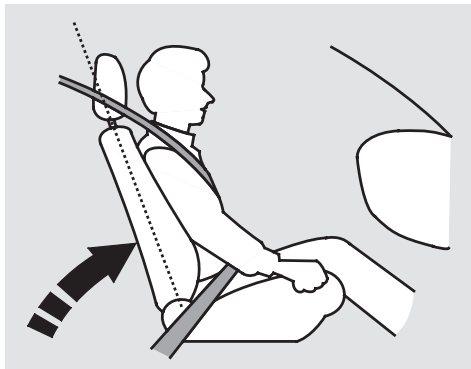
Once your seat is adjusted correctly, rock it back and forth to make sure the seat is locked in position.

See page [88](#) for how to adjust the front seats.



## Protecting Adults

### 3. Adjust the Seat-Backs



Adjust the driver's seat-back to a comfortable, upright position, leaving ample space between your chest and the airbag cover in the center of the steering wheel. If you sit too close to the steering wheel, you could be injured if the front airbag inflates.

A front passenger should also adjust the seat-back to an upright position, but as far from the dashboard as possible. A passenger who sits too close to the dashboard could be injured if the front airbag inflates.

Reclining a seat-back so that the shoulder part of the belt no longer rests against the occupant's chest reduces the protective capability of the belt. It also increases the chance of sliding under the belt in a crash and being seriously injured. The farther a seat-back is reclined, the greater the risk of injury.

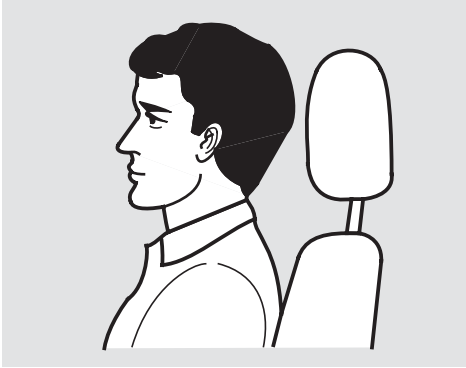
### **⚠ WARNING**

Reclining the seat-back too far can result in serious injury or death in a crash.

Adjust the seat-back to an upright position and sit well back in the seat.

See page [89](#) for how to adjust seat-backs.

### 4. Adjust the Head Restraints



Before driving, make sure everyone with an adjustable head restraint has properly positioned the head restraint. The restraint should be positioned so the back of the occupant's head rests against the center of the restraint. A taller person should adjust the restraint as high as possible.

### **⚠ WARNING**

Improperly positioning head restraints reduces their effectiveness and you can be seriously injured in a crash.

Make sure head restraints are in place and positioned properly before driving.

Properly adjusted head restraints will help protect occupants from whiplash and other crash injuries.

See page [91](#) for how to adjust the head restraints.

### 5. Fasten and Position the Seat Belts

Insert the latch plate into the buckle, then tug on the belt to make sure the belt is securely latched. Also check that the belt is not twisted, because a twisted belt can cause serious injuries in a crash.

*CONTINUED*

## Protecting Adults

---



Position the lap part of the belt as low as possible across your hips, then pull up on the shoulder part of the belt so the lap part fits snugly. This lets your strong pelvic bones take the force of a crash and reduces the chance of internal injuries.

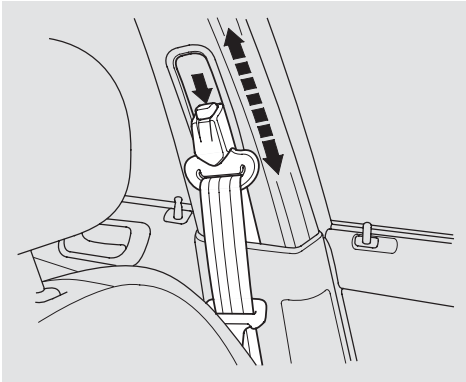
If necessary, pull up on the belt again to remove any slack from the shoulder part, then check that the belt rests across the center of your chest and over your shoulder. This spreads the forces of a crash over the strongest bones in your upper body.

### **⚠ WARNING**

Improperly positioning the seat belts can cause serious injury or death in a crash.

Make sure all seat belts are properly positioned before driving.

If the seat belt touches or crosses your neck, or if it crosses your arm instead of your shoulder, you need to adjust the seat belt anchor height.



To adjust the height of a front seat belt anchor, press the release button and slide the anchor up or down as needed (it has four positions).

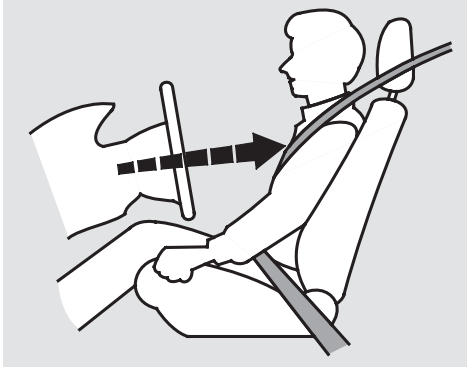
***Never place the shoulder portion of a lap/shoulder belt under your arm or behind your back.*** This could cause very serious injuries in a crash.

If a seat belt does not seem to work as it should, it may not protect the occupant in a crash. ***No one should sit in a seat with an inoperative seat belt.*** Anyone using a seat belt that is not working properly can be seriously injured or killed. Have your Acura dealer check the belt as soon as possible.

See page [44](#) for additional information about your seat belt system and how to take care of your belts.

# Protecting Adults

## 6. Adjust the Steering Wheel



Adjust the steering wheel, if needed, so that the wheel points toward your chest, not toward your face.

Pointing the steering wheel toward your chest provides optimal protection from the airbag.

See page [75](#) for how to adjust the steering wheel.

## 7. Maintain a Proper Sitting Position

After all occupants have adjusted their seats and put on seat belts, it is very important that they continue to sit upright, well back in their seats, with their feet on the floor, until the car is parked and the engine is off.

Sitting improperly can increase the chance of injury during a crash. For example, if an occupant slouches, lies down, turns sideways, sits forward, leans forward or sideways, or puts one or both feet up, the chance of injury during a crash is greatly increased.

In addition, an occupant who is out of position in the front seat can be seriously or fatally injured by striking interior parts of the car, or by being struck by an inflating front airbag. Being struck by an inflating side airbag can result in possibly serious injuries.

### **⚠ WARNING**

Sitting improperly or out of position can result in serious injury or death in a crash.

Always sit upright, well back in the seat, with your feet on the floor.

Remember, to get the best protection from your car's airbags and other safety features, you must sit properly and wear your seat belt properly.

### Advice for Pregnant Women



Because protecting the mother is the best way to protect her unborn child, a pregnant woman should always wear a seat belt whenever she drives or rides in a car.

Remember to keep the lap portion of the belt as low as possible across your hips.

Pregnant women should also sit upright and as far back as possible from the steering wheel or dashboard. This will reduce the risk of injuries to both the mother and her unborn child that can be caused by a crash or an inflating airbag.

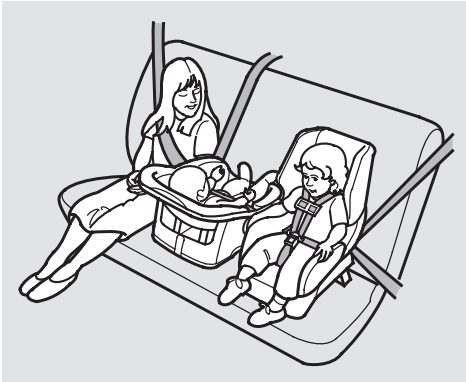
Each time you have a check-up, ask your doctor if it's okay for you to drive.

# Protecting Adults

---

## Additional Safety Precautions

- **Two people should never use the same seat belt.** If they do, they could be very seriously injured in a crash.
- **Do not put any accessories on seat belts.** Devices intended to improve occupant comfort or reposition the shoulder part of a seat belt can severely compromise the protective capability of the seat belt and increase the chance of serious injury in a crash.
- **Do not place hard or sharp objects between yourself and a front airbag.** Carrying hard or sharp objects on your lap, or driving with a pipe or other sharp object in your mouth, can result in injuries if your front airbag inflates.
- **Do not attach or place objects on the front airbag covers.** Any object attached to or placed on the covers marked “SRS AIRBAG” in the center of the steering wheel and on top of the dashboard could interfere with the proper operation of the airbags. Or, if the airbags inflate, the objects could be propelled inside the car and hurt someone.
- **Do not attach hard objects on or near a front door.** If a side airbag inflates, a cup holder or other hard object attached on or near the door could be propelled inside the car and hurt someone.
- **Keep your hands and arms away from the airbag covers.** If your hands or arms are close to the airbag cover in the center of the steering wheel or on top of the dashboard, they could be injured if the front airbags inflate.



Children depend on adults to protect them. However, despite their best intentions, many parents and other adults may not know how to *properly* protect young passengers.

So if you have children, or if you ever need to drive with a grandchild or other children in your car, be sure to read this section.

### **▲ WARNING**

Children who are unrestrained or improperly restrained can be seriously injured or killed in a crash.

Any child too small for a seat belt should be properly restrained in a child seat. A larger child should be properly restrained with a seat belt.

**All Children Must Be Restrained**  
Each year, many children are injured or killed in vehicle crashes because they are either unrestrained or not properly restrained. In fact, vehicle accidents are the number one cause of death of children ages 12 and under.

To reduce the number of child deaths and injuries, every state and Canadian province requires that infants and children be restrained whenever they ride in a vehicle.

***Any child who is too small to wear a seat belt should be properly restrained in a child seat.*** (See page 26.)

***A larger child should always be restrained with a seat belt.*** (See page 37.)



# Protecting Children

---

## *Additional Precautions to Parents*

- ***Never hold an infant or child on your lap.*** If you are not wearing a seat belt in a crash, you could be thrown forward into the dashboard and crush the child. If you are wearing a seat belt, the child can be torn from your arms during a crash. For example, if your car crushes into a parked vehicle at 30 mph (48 km/h), a 20-lb (9 kg) infant will become a 600-lb (275 kg) force, and you will not be able to hold on.
- ***Never put a seat belt over yourself and an infant or child.*** During a crash, the belt could press deep into the child and cause very serious injuries.

## **Children Should Sit in the Back Seat**

According to accident statistics, children of all ages and sizes are safer when they are restrained in the back seat, not the front seat. The National Highway Traffic Safety Administration and Transport Canada recommend that all children ages 12 and under be properly restrained in the back seat.

In the back seat, children are less likely to be injured by striking hard interior parts during a collision or hard braking. Also, children cannot be injured by an inflating airbag when they ride in the back.

## **The Passenger's Front Airbag Poses Serious Risks to Children**

Front airbags have been designed to help protect adults in a moderate to severe frontal collision. To do this, the passenger's front airbag is quite large, and it inflates with tremendous speed.

### *Infants*

*Never put a rear-facing child seat in the front seat of a vehicle equipped with a passenger's front airbag. If the airbag inflates, it can hit the back of the child seat with enough force to kill or very seriously injure an infant.*

### *Small Children*

*Placing a forward-facing child seat in the front seat of a vehicle equipped with a passenger's front airbag can be hazardous. If the vehicle seat is too far forward, or the child's head is thrown forward during a collision, an inflating front airbag can strike the child with enough force to kill or very seriously injure a small child.*

### *Larger Children*

*Children who have outgrown child seats are also at risk of being injured or killed by an inflating passenger's front airbag. Whenever possible, larger children should sit in the back seat, properly restrained with a seat belt. (See page [37](#) for important information about protecting larger children.)*

*CONTINUED*

# Protecting Children

## *U.S. Models*

To remind you of the passenger's front airbag hazards, and that children must be properly restrained in the back seat, your car has warning labels on the dashboard and on the driver's and front passenger's visors. Please read and follow the instructions on these labels.

 <b>WARNING</b>	
	<p>DEATH or SERIOUS INJURY can occur</p> <ul style="list-style-type: none"><li>• Children 12 and under can be killed by the air bag</li><li>• The BACK SEAT is the SAFEST place for children</li><li>• NEVER put a rear-facing child seat in the front</li><li>• Sit as far back as possible from the air bag</li><li>• ALWAYS use SEAT BELTS and CHILD RESTRAINTS</li></ul>

 <b>WARNING</b>	
<p><b>Children Can Be KILLED or INJURED by Passenger Air Bag</b></p> <ul style="list-style-type: none"><li>• The back seat is the safest place for children 12 and under.</li><li>• Make sure all children use seat belts or child seats.</li></ul> <p>To be removed by owner only.</p>	

## *Canadian Models*

To remind you of the front airbag hazards, your car has warning labels on the driver's and front passenger's visors. Please read and follow the instructions on these labels.

<p><b>CAUTION</b> TO AVOID SERIOUS INJURY:</p> <ul style="list-style-type: none"><li>• FOR MAXIMUM SAFETY PROTECTION IN ALL TYPES OF CRASHES, YOU MUST ALWAYS WEAR YOUR SAFETY BELT.</li><li>• DO NOT INSTALL REARWARD-FACING CHILD SEATS IN ANY FRONT PASSENGER SEAT POSITION.</li><li>• DO NOT SIT OR LEAN UNNECESSARILY CLOSE TO THE AIR BAG.</li><li>• DO NOT PLACE ANY OBJECTS OVER THE AIR BAG OR BETWEEN THE AIR BAG AND YOURSELF.</li><li>• SEE THE OWNER'S MANUAL FOR FURTHER INFORMATION AND EXPLANATIONS.</li></ul>	<p><b>PRÉCAUTION:</b> POUR ÉVITER DES BLESSURES GRAVES:</p> <ul style="list-style-type: none"><li>• POUR PROFITER D'UNE PROTECTION MAXIMALE LORS D'UNE COLLISION BOUCLEZ TOUJOURS VOTRE CEINTURE DE SECURITE.</li><li>• N'INSTALLEZ JAMAIS UN SIEGE POUR ENFANTS FAISANT FACE A L'ARRIERE SUR LE SIEGE DU PASSAGER AVANT.</li><li>• NE VOUS APPUYEZ PAS ET NE VOUS ASSEYEZ PAS PRES DU COUSSIN GONFLABLE.</li><li>• NE DEPOSEZ AUCUN OBJET SUR LE COUSSIN GONFLABLE OU ENTRE LE COUSSIN GONFLABLE ET VOUS.</li><li>• LISEZ LE GUIDE UTILISATEUR POUR DE PLUS AMPLES RENSEIGNEMENTS.</li></ul>
--	---

## If You Must Drive with Several Children

Your car has three seating positions in the back seat where children can be properly restrained.

If you ever have to carry more than three children in your car:

- Place the largest child in the front seat, provided the child is large enough to wear a seat belt properly (see page 37).
- Move the vehicle seat as far to the rear as possible (see page 13).
- Have the child sit upright and well back in the seat (see page 18).
- Make sure the seat belt is properly positioned and secured (see page 15).

## If a Child Requires Close Attention

Many parents say they prefer to put an infant or small child in the front passenger seat so they can watch the child, or because the child requires attention.

Placing a child in the front seat exposes the child to hazards from the passenger's front airbag, and paying close attention to a child distracts the driver from the important tasks of driving, placing both of you at risk.

If a child requires physical attention or frequent visual contact, we strongly recommend that another adult ride with the child in the back seat. The back seat is far safer for a child than the front.

## Additional Safety Precautions

- **Use childproof door locks to prevent children from opening the doors.** Using this feature will prevent children from opening the doors and accidentally falling out (see page 84).
- **Use the main power window switch to prevent children from opening the rear windows.** Using this feature will prevent children from playing with the windows, which could expose them to hazards or distract the driver (see page 100).

CONTINUED

# Protecting Children

---

- ***Do not leave children alone in your vehicle.*** Leaving children without adult supervision is illegal in most states and Canadian provinces, and can be very hazardous. For example, infants and small children left in a vehicle on a hot day can die from heatstroke. And children left alone with the key in the ignition can accidentally set the vehicle in motion, possibly injuring themselves or others.
- ***Lock all doors and the trunk when your vehicle is not in use.*** Children who play in cars can accidentally get trapped inside the trunk. Teach your children not to play in or around cars. Know how to operate the emergency trunk opener (U.S. models only) and decide if your children should be shown how to use this feature (see page 86 ).
- ***Keep car keys and remote transmitters out of the reach of children.*** Even very young children learn how to unlock vehicle doors, turn on the ignition, and open the trunk, which can lead to accidental injury or death.

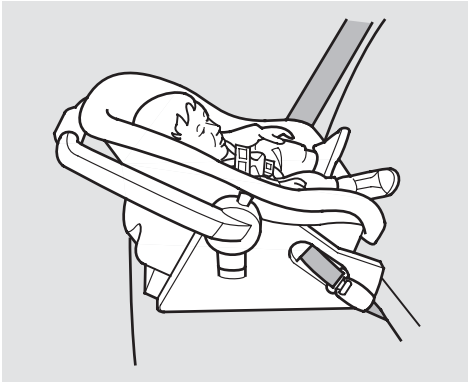
## **General Guidelines for Using Child Seats**

The following pages give general guidelines for selecting and installing child seats for infants and small children.

### ***Selecting a Child Seat***

To provide proper protection, a child seat should meet three requirements:

- 1. The child seat should meet safety standards.*** The child seat should meet Federal Motor Vehicle Safety Standard 213 (FMVSS 213) or Canadian Motor Vehicle Safety Standard 213 (CMVSS 213). Look for the manufacturer's statement of compliance on the box and seat.



**2. The child seat should be of the proper type and size to fit the child.**

**Infants:** Children up to about one year old should be restrained in a rear-facing, reclining child seat. Only a rear-facing seat provides the proper support to protect an infant's head, neck, and back. See page 30 for additional information on protecting infants.



**Small Children:** A child who is too large for a rear-facing child seat, and who can sit up without support, should be restrained in a forward-facing child seat. See page 33 for additional information on protecting small children.

**3. The child seat should fit the vehicle seating position (or positions) where it will be used.**

Due to variations in the design of child seats, vehicle seats, and seat belts, all child seats will not fit all vehicle seating positions.

However, Acura is confident that one or more child seat models can fit and be properly installed in all recommended seating positions in your car.

Before purchasing a child seat, we recommend that parents test the child seat in the specific vehicle seating position (or positions) where they intend to use the seat. If a previously purchased child seat does not fit, you may need to buy a different one that will fit.

*CONTINUED*

# Protecting Children

## *Placing a Child Seat*

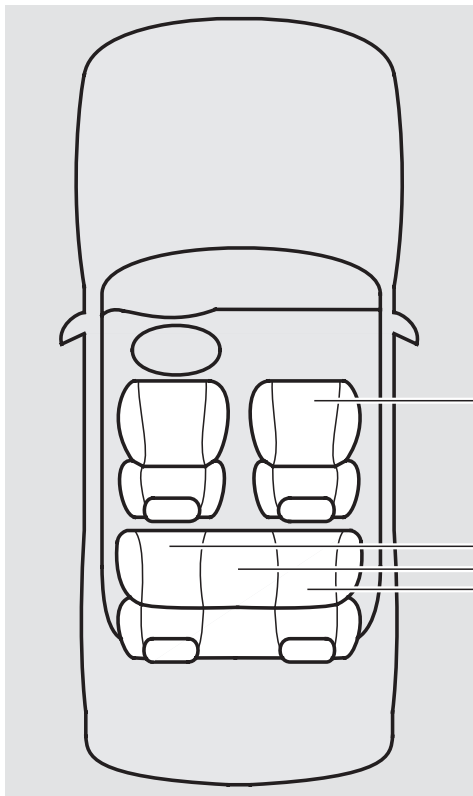
This page briefly summarizes Acura's recommendations on where to place rear-facing and forward-facing child seats in your car.

### **Airbags Pose Serious Risks to Children**

The passenger's front airbag inflates with enough force to kill or seriously injure an infant in a rear-facing child seat.

A small child in a forward-facing child seat is also at risk. If the vehicle seat is too far forward, or the child's head is thrown forward during a collision, an inflating front airbag can kill or seriously injure the child.

If a small child must ride in the front, follow the instructions provided in this section.



### **Front Passenger's Seat**

**Infants:** Never in the front seat, due to the front airbag hazard.

**Small children:** Not recommended, due to the front airbag hazard. If a small child must ride in front, move the vehicle seat to the rear-most position and secure a front-facing child seat with the seat belt (see page [34](#)).

### **Back Seats**

**Infants:** Recommended positions. Properly secure a rear-facing child seat (see page [30](#)).

**Small children:** Recommended positions. Properly secure a front-facing child seat (see page [33](#)).

### ***Installing a Child Seat***

After selecting a proper child seat, and a good position to install the seat, there are three main steps in installing the seat:

***1. Properly secure the child seat to the car.*** All child seats are designed to be secured to the car with the lap part of a lap/shoulder belt. Some child seats can be secured to the vehicle's LATCH anchorage system. A child whose seat is not properly secured to the car can be endangered in a crash. See pages [31](#), [35](#) and [42](#) for instructions on how to properly secure child seats in this car.

***2. Make sure the child seat is firmly secured.*** After installing a child seat, push and pull the seat forward and from side to side to verify that it is secure.

To provide security during normal driving maneuvers as well as during a collision, we recommend that parents secure a child seat as firmly as possible.

However, a child seat does not need to be "rock solid." In some vehicles or seating positions, it may be difficult to install a child seat so that it does not move at all. Some side-to-side or back-and-forth movement can be expected and should not reduce the child seat's effectiveness.

If the child seat is not secure, try installing it in a different seating position, or use a different style of child seat that can be firmly secured in the desired seating position.

***3. Secure the child in the child seat.*** Make sure the child is properly strapped in the child seat according to the child seat maker's instructions. A child who is not properly secured in a child seat can be thrown out of the seat in a crash and be seriously injured.

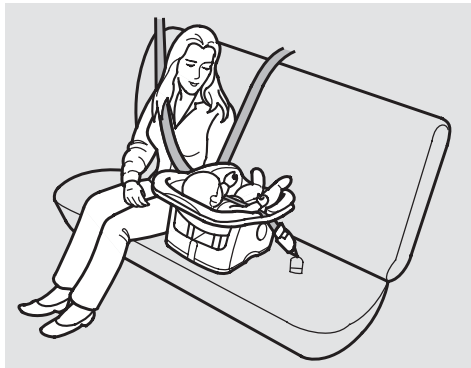
### ***Storing a Child Seat***

When you are not using a child seat, either remove it and store it in a safe place, or make sure it is properly secured. An unsecured child seat can be thrown around the car during a crash or sudden stop and injure someone.



# Protecting Children

## Protecting Infants



### ***Child Seat Type***

Only a rear-facing child seat provides proper support for a baby's head, neck, and back. Infants up to about one year of age must be restrained in a rear-facing child seat.

Two types of seats may be used: a seat designed exclusively for infants, or a convertible seat used in the rear-facing, reclining mode.

## **▲ WARNING**

Placing a rear-facing child seat in the front seat can result in serious injury or death if the passenger's front airbag inflates.

Always place a rear-facing child seat in the back seat, not the front.

We recommend that an infant be restrained in a rear-facing child seat until the infant reaches the seat maker's weight or height limit and is able to sit up without support.

### ***Rear-Facing Child Seat Placement***

In this car, a rear-facing child seat can be placed in any seating position in the back seat, but not in the front seat.

### ***Never put a rear-facing child seat in***

***the front seat.*** If the passenger's front airbag inflates, it can hit the back of the child seat with enough force to kill or seriously injure an infant. If an infant must be closely watched, we recommend that another adult sit in the back seat with the baby.

### ***Do not put a rear-facing child seat in***

***a forward-facing position.*** If placed facing forward, an infant could be very seriously injured during a frontal collision.

When properly installed, a rear-facing child seat may prevent the driver or a front-seat passenger from moving the seat as far back as recommended (see page 13 ). Or it may prevent them from locking the seat-back in the desired upright position (see page 14 ).

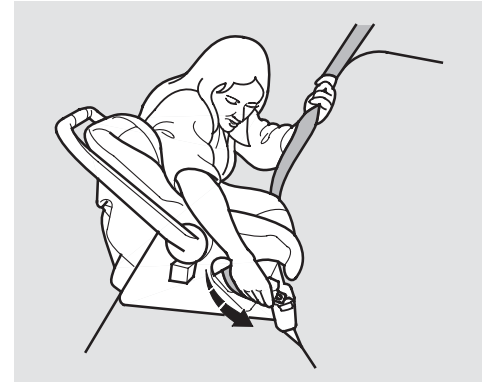
In either case, we recommend that you place the child seat directly behind the front passenger seat, move the front seat as far forward as needed, and leave it unoccupied. Or you may wish to get a smaller child seat that allows you to safely carry a front passenger.

### ***Rear-Facing Child Seat Installation***

The lap/shoulder belts in the back seats have a locking mechanism that must be activated to secure a child seat.

The following pages provide instructions and tips on how to secure a rear-facing child seat with this type of seat belt.

If you have a child seat designed to attach to the vehicle's LATCH anchorage system, follow the instructions on page 42 .

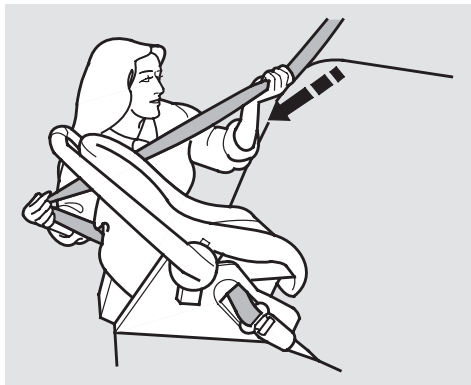


1. With the child seat in the desired back seating position, route the belt through the child seat according to the seat maker's instructions, then insert the latch plate into the buckle.

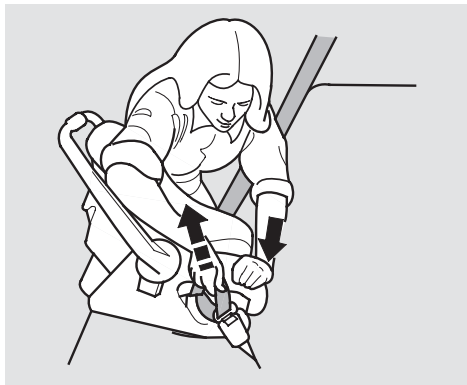
*CONTINUED*

## Protecting Children

---



2. To activate the lockable retractor, slowly pull the shoulder part of the belt all the way out until it stops, then let the belt feed back into the retractor (you might hear a clicking noise as the belt retracts).
3. After the belt has retracted, tug on it. If the belt is locked, you will not be able to pull it out. If you can pull the belt out, it is not locked and you will need to repeat these steps.



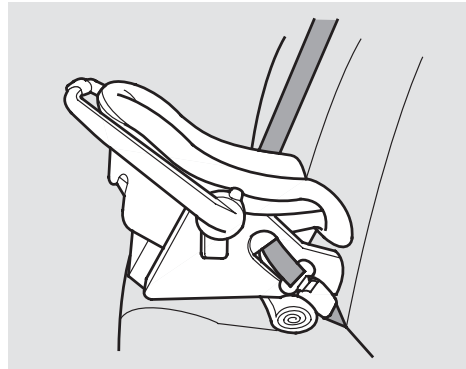
4. After confirming that the belt is locked, grab the shoulder part of the belt near the buckle and pull up to remove any slack from the lap part of the belt. Remember, if the lap part of the belt is not tight, the child seat will not be secure. To remove slack, it may help to put weight on the child seat, or push on the back of the seat, while pulling up on the belt.



5. Push and pull the child seat forward and from side to side to verify that it is secure enough to stay upright during normal driving maneuvers. If the child seat is not secure, unlatch the belt, allow it to retract fully, then repeat these steps.

To deactivate the locking mechanism and remove a child seat, unlatch the buckle, unrout the seat belt, and let the belt fully retract.

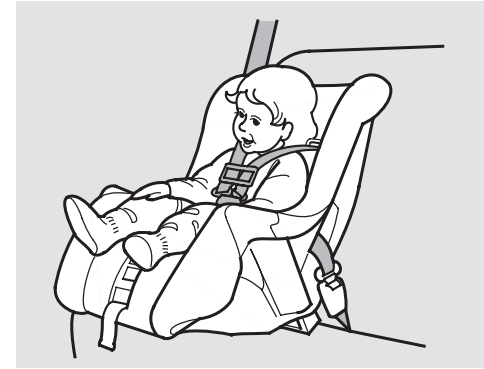
### ***Rear-Facing Child Seat Installation Tips***



For proper protection, an infant must ride in a reclined, or semi-reclined position. To determine the proper reclining angle, check with the baby's doctor or follow the seat maker's recommendations.

To achieve the desired reclining angle, it may help to put a rolled up towel under the toe of the child seat, as shown.

### **Protecting Small Children**



#### ***Child Seat Type***

A child who can sit up without support, and who fits within the child seat maker's weight and height limits, should be restrained in a forward-facing, upright child seat.

Of the different seats available, we recommend those that have a five-point harness system as shown.

*CONTINUED*

## Protecting Children

---

We also recommend that a small child stay in the child seat as long as possible, until the child reaches the weight or height limit for the seat.

### *Child Seat Placement*

In this car, the best place to install a forward-facing child seat is in one of the seating positions in the back seat.

***Placing a forward-facing child seat in the front seat of a vehicle equipped with a passenger's front airbag can be hazardous.*** If the vehicle seat is too far forward, or the child's head is thrown forward during a collision, an inflating front airbag can strike the child with enough force to cause very serious or fatal injuries. If a small child must be closely watched, we recommend that another adult sit in the back seat with the child.

### **▲ WARNING**

Improperly placing a forward-facing child seat in the front seat can result in serious injury or death if the front airbags inflate.

If you must place a forward-facing child seat in front, move the vehicle seat as far back as possible and properly restrain the child.

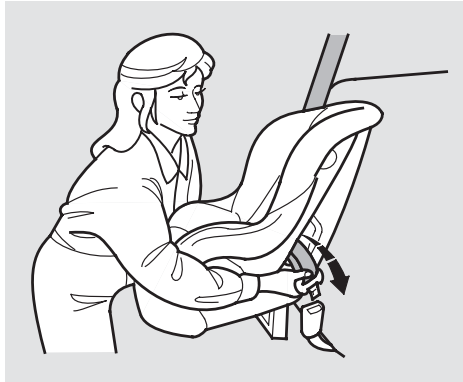
If it is necessary to put a forward-facing child seat in the front, move the vehicle seat as far to the rear as possible, be sure the child seat is firmly secured to the car, and the child is properly strapped in the seat.

### ***Child Seat Installation***

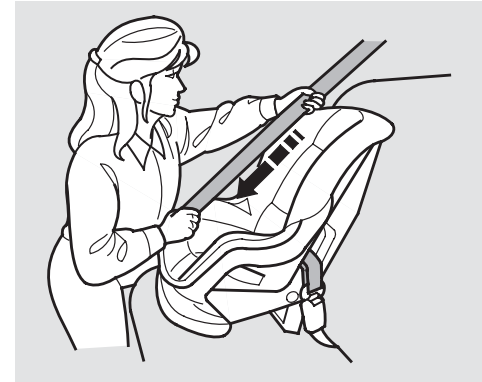
The lap/shoulder belts in the back and front passenger seating positions have a locking mechanism that must be activated to secure a child seat.

The following pages provide instructions on how to secure a forward-facing child seat with this type of seat belt.

If you have a child seat designed to attach to the vehicle's LATCH anchorage system, follow the instructions on page 42 .



1. With the child seat in the desired seating position, route the belt through the child seat according to the seat maker's instructions, then insert the latch plate into the buckle.



2. To activate the lockable retractor, slowly pull the shoulder part of the belt all the way out until it stops, then let the belt feed back into the retractor (you might hear a clicking noise as the belt retracts).
3. After the belt has retracted, tug on it. If the belt is locked, you will not be able to pull it out. If you can pull the belt out, it is not locked and you will need to repeat these steps.

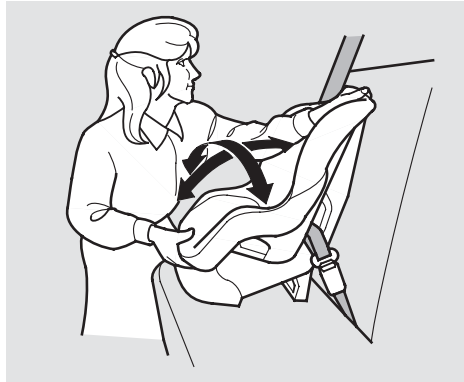
*CONTINUED*

## Protecting Children

---



4. After confirming that the belt is locked, grab the shoulder part of the belt near the buckle and pull up to remove any slack from the lap part of the belt. Remember, if the lap part of the belt is not tight, the child seat will not be secure. It may help to put weight on the child seat, or push on the back of the seat, while pulling on the belt.



5. Push and pull the child seat forward and from side to side to verify that it is secure enough to stay upright during normal driving maneuvers. If the child seat is not secure, unlatch the belt, allow it to retract fully, then repeat these steps.

To deactivate the locking mechanism in order to remove a child seat, unlatch the buckle, unrout the seat belt, and let the belt fully retract.

### Protecting Larger Children

When a child reaches the recommended weight or height limit for a forward-facing child seat, the child should sit in the back seat and wear a lap/shoulder belt.

If a child is too short for the shoulder part of the belt to properly fit, we recommend that the child use a booster seat until the child is tall enough to use the seat belt without a booster.

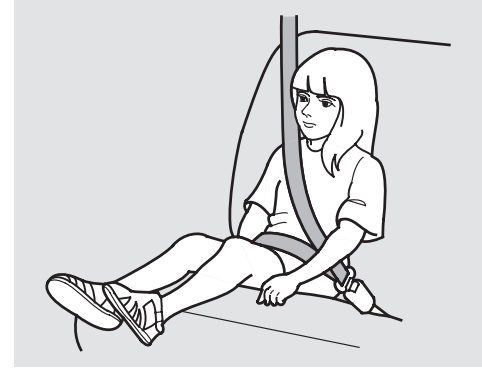
The following pages give instructions on how to check proper seat belt fit, what kind of booster seat to use if one is needed, and important precautions for a child who must sit in the front seat.

### **⚠ WARNING**

Allowing a larger child to sit improperly in the front seat can result in injury or death if the passenger's front airbag inflates.

If a larger child must sit in front, make sure the child moves the seat as far back as possible and wears the seat belt properly.

### *Checking Seat Belt Fit*



To determine if a lap/shoulder belt properly fits a child, have the child put on the seat belt. Follow the instructions on page 15. Then check how the belt fits.

If the shoulder part of the belt rests over the child's collarbone and against the center of the chest, as shown, the child is large enough to wear the seat belt.

*CONTINUED*



## Protecting Children

---

However, if the belt touches or crosses the child's neck, the child needs to use a booster seat.

***Do not let a child wear a seat belt across the neck.*** This could result in serious neck injuries during a crash.

***Do not let a child put the shoulder part of a seat belt behind the back or under the arm.*** This could cause very serious injuries during a crash. It also increases the chance that the child will slide under the belt in a crash and be injured.

***Do not put any accessories on a seat belt.*** Devices intended to improve occupant comfort or reposition the shoulder part of a seat belt, severely compromise the protective capability of the seat belt and increase the chance of serious injury in a crash.

***Two children should never use the same seat belt.*** If they do, they could be very seriously injured in a crash.

### *Using a Booster Seat*



If a child needs a booster seat, we recommend choosing a style that allows the child to use the lap/shoulder belt directly, without a shield, as shown.

Whichever style you select, follow the booster seat maker's instructions.

A child may continue using a booster seat until the tops of the ears are even with the top of the seat-back. A child of this height should be tall enough to use the lap/shoulder belt without a booster.

***When Can a Larger Child Sit in Front***  
The National Highway Traffic Safety Administration and Transport Canada recommend that all children ages 12 and under be properly restrained in a back seat.

The back seat is the safest place for a child of any age or size.

In addition, the passenger's front airbag poses serious risks to children. If the seat is too far forward, or the child's head is thrown forward during a collision, or the child is unrestrained or out of position, an inflating front airbag can kill or seriously injure the child.

The side airbag also poses risks. If any part of a larger child's body is in the path of a deploying airbag, the child could receive possibly serious injuries.

Of course, children vary widely. And while age may be one indicator of when a child can safely ride in the front, there are other important factors you should consider.

*CONTINUED*

# Protecting Children

---

## *Physical Size*

Physically, a child must be large enough for the lap/shoulder belt to properly fit over the hips, chest, and shoulder (see pages 15 and 37). If the seat belt does not fit properly, the child should not sit in the front.

## *Maturity*

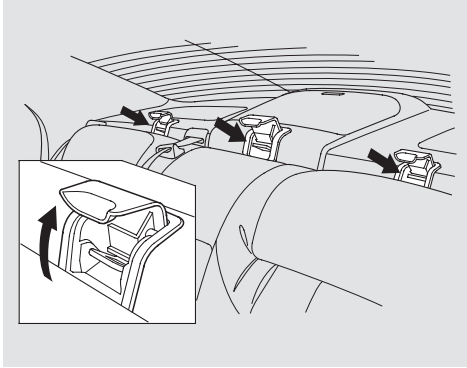
To safely ride in front, a child must be able to follow the rules, including sitting properly and wearing the seat belt properly throughout a ride.

If you decide that a child can safely ride up front, be sure to:

- Carefully read the owner's manual and make sure you understand all seat belt instructions and all safety information.
- Move the vehicle seat to the rear-most position.
- Have the child sit up straight, back against the seat, and feet on or near the floor.

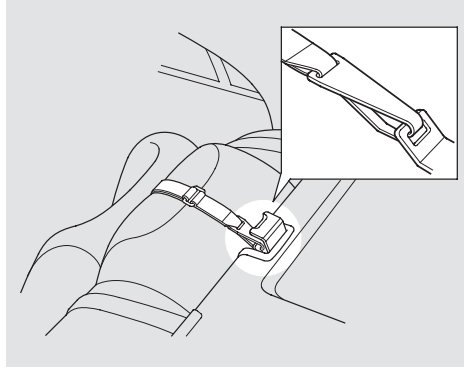
- Check that the child's seat belt is properly positioned and secured.
- Supervise the child. Even mature children sometimes need to be reminded to fasten the seat belts or sit properly.

## Using Child Seats with Tethers



Your car has three tether anchorage points under the rear window for securing a tether-style child seat to the car.

Since a tether can provide additional security, we recommend using a tether whenever one is required or available.

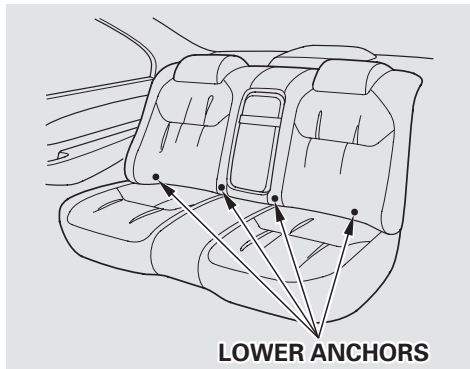


The tether anchorage points are located under plastic covers. Pivot the cover backward to access the anchorage point.

Attach the tether strap hook to the tether anchorage point as shown in the illustration, then tighten the strap according to the child seat maker's instructions.

# Protecting Children

## Using LATCH

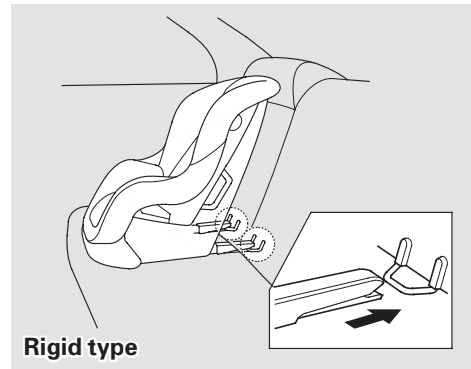


Your car is equipped with LATCH (Lower Anchors and Tethers for Children) at the outer rear seats. The lower anchors are located between the seat-back and seat bottom and are only to be used with a child seat designed for use with LATCH.

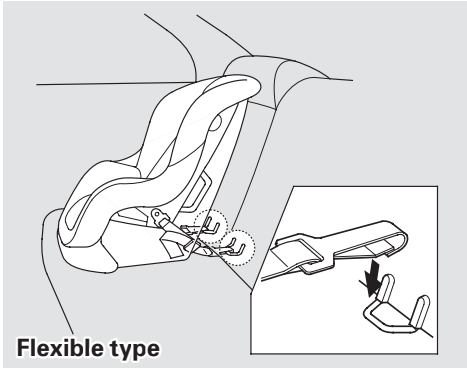
The exact location of each lower anchor is marked with a small circle above the lower anchor point.

To install a LATCH-compatible child seat:

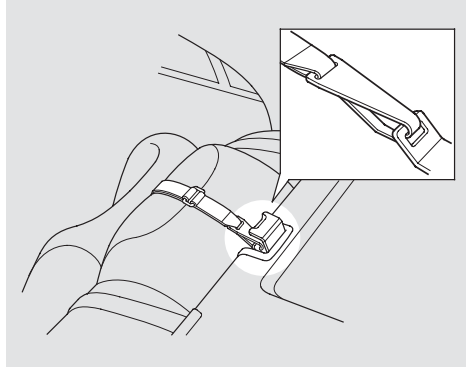
1. Move the seat belt buckle or center seat belt away from the lower anchor.
2. Make sure there are no foreign objects around the anchor. Foreign objects could get in the way of a secure connection between the child seat and the anchor.



3. Put the child seat in the rear left or right vehicle seat and attach the child seat to the lower anchor according to the child seat maker's instructions.



4. Follow the child seat maker's instructions for any additional advice on adjusting or tightening the fit.



5. Attach the tether strap hook to the tether anchorage point and tighten the strap according to the child seat maker's instructions.
6. Push and pull the child seat forward and from side to side to verify that it is secure enough to stay upright during normal driving maneuvers.

## Additional Information About Your Seat Belts

---

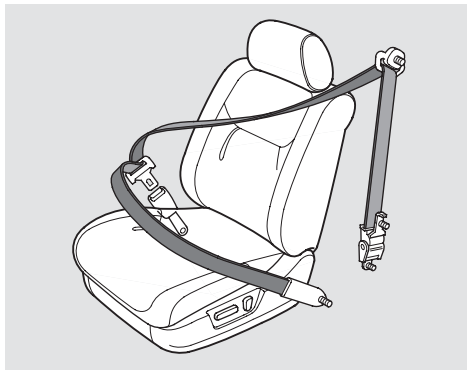
### Seat Belt System Components

Your seat belt system includes lap/shoulder belts in all five seating positions. The front seat belts are also equipped with automatic seat belt tensioners.



The seat belt system also includes a light on the instrument panel to remind you and your passengers to fasten your belts. If the driver's seat belt is not fastened before the ignition is turned ON (II), the light will come on and a beeper will also sound. The beeper will stop after a few seconds, but the light will stay on until the driver's seat belt is fastened.

### Lap/Shoulder Belt



This seat belt has a single belt that goes over your shoulder, across your chest and across your hips.

To fasten the belt, insert the latch plate into the buckle, then tug on the belt to make sure the buckle is latched.

To unlock the belt, push the red PRESS button on the buckle.

Guide the belt across your body to the door pillar. After exiting the car, be sure the belt is out of the way and will not get closed in the door.

All seat belts have an emergency locking retractor. In normal driving, the retractor lets you move freely in your seat while it keeps some tension on the belt. During a collision or sudden stop, the retractor automatically locks the belt to help restrain your body.

The seat belts in all seating positions except the driver's have an additional locking mechanism that must be activated to secure a child seat. (See pages [31](#) and [35](#) for instructions on how to secure child seats with this type of seat belt.)

## Additional Information About Your Seat Belts

If the shoulder part of the belt is pulled all the way out, the locking mechanism will activate. The belt will retract, but it will not allow the passenger to move freely.

To deactivate the locking mechanism, unlatch the buckle and let the seat belt fully retract. To refasten the belt, pull it out only as far as needed.

See page 15 for instructions on how to wear the lap/shoulder belt properly.

### Automatic Seat Belt Tensioners



For added protection, the front seat belts are equipped with automatic seat belt tensioners. When activated, the tensioners immediately tighten the belts to help hold the driver and a front passenger in place.

The tensioners are designed to activate primarily in frontal collisions. The tensioners are independent of the airbag system, so they can be activated during a collision that

might not cause the airbags to deploy. In this case, the airbags would not be needed but the additional seat belt tension can be helpful.

The tensioners will be activated in a collision severe enough to cause the front airbags to inflate.

When the tensioners are activated, the seat belts will remain tight until they are unbuckled in the normal way.

**SRS** The SRS indicator light will come on if there is a problem with your automatic seat belt tensioners (see page 50).



## Additional Information About Your Seat Belts

---

### Seat Belt Maintenance

For safety, you should check the condition of your seat belts regularly.

Pull each belt out fully and look for frays, cuts, burns, and wear. Check that the latches work smoothly and that the lap/shoulder belts retract easily. Any belt not in good condition or not working properly will not provide good protection and should be replaced as soon as possible.

### *U.S. Models*

Acura provides a lifetime warranty on seat belts. Acura will repair or replace any seat belt component that fails to function properly during normal use. Please see your *Acura Warranty Information* booklet for details.

### **▲ WARNING**

Not checking or maintaining seat belts can result in serious injury or death if the seat belts do not work properly when needed.

Check your seat belts regularly and have any problem corrected as soon as possible.

If a seat belt is worn during a crash, you should have your dealer replace the seat belt. A belt that has been worn during a crash may not provide the same level of protection in a subsequent crash. The dealer should also inspect the anchors for damage and replace them if needed.

Automatic seat belt tensioners that deployed during a crash must be replaced.

For information on how to clean your seat belts, see page [273](#).

## Additional Information About Your Airbags

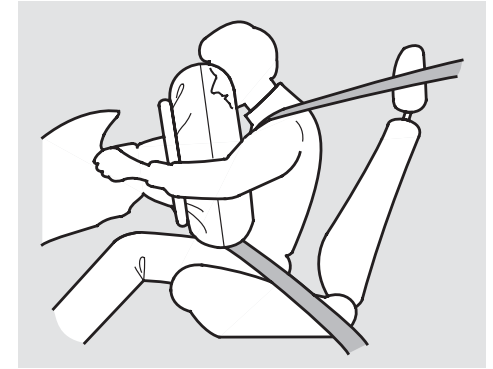
### SRS Components

Your Supplemental Restraint System (SRS) includes:

- Two front airbags. The driver's airbag is stored in the center of the steering wheel; the front passenger's airbag is stored in the dashboard. Both are marked "SRS AIRBAG."
- Automatic seat belt tensioners (see page 45).
- Sensors that can detect a moderate to severe frontal collision.
- A sophisticated electronic system that continually monitors and records information about the sensors, the control unit, the airbag activators, and driver and passenger seat belt use when the ignition is ON (II).

- An indicator light on the instrument panel that alerts you to a possible problem with the system (see page 50).
- Emergency backup power in case your car's electrical system is disconnected in a crash.

### How Your Front Airbags Work



If you ever have a moderate to severe frontal collision, the sensors will detect the vehicle's rapid deceleration. If the rate of deceleration is high enough, the control unit will instantly inflate the front airbags.

*CONTINUED*

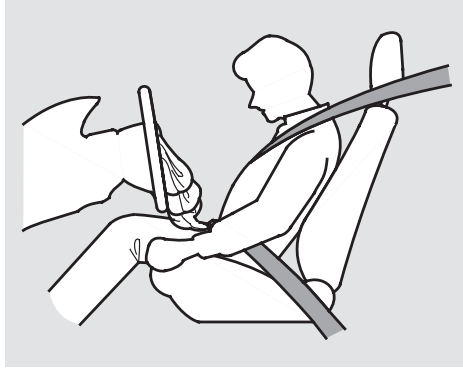
## Additional Information About Your Airbags

---

During a frontal crash, your seat belts help restrain your lower body and torso. Your airbag provides a cushion to help restrain and protect your head and chest.

Since both airbags use the same sensors, both airbags normally inflate at the same time. However, it is possible for only one airbag to inflate.

This can occur when the severity of a collision is at the margin, or threshold, that determines whether or not the airbags will deploy. In such cases, the seat belt will provide sufficient protection, and the supplemental protection offered by the airbag would be minimal.



After inflating, the front airbags immediately deflate, so they won't interfere with the driver's visibility, or the ability to steer or operate other controls.

The total time for inflation and deflation is approximately one-tenth of a second, so fast that most occupants are not aware that the airbags deployed until they see them lying in their laps.

After a crash, you may see what looks like smoke. This is actually powder from the airbag's surface. Although the powder is not harmful, people with respiratory problems may experience some temporary discomfort. If this occurs, get out of the car as soon as it is safe to do so.

### *U.S. Owners*

For additional information on how your airbags work, see the booklet titled *SRS: What You Need to Know About Airbags* that came with your owner's manual.

### *Canadian Owners*

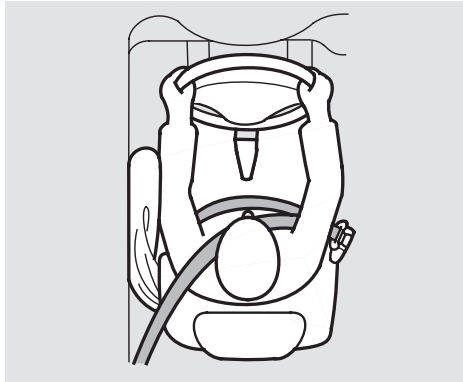
For additional information on how your airbags work, ask your dealer for a copy of the booklet titled *SRS: What You Need to Know About Airbags*.

## Additional Information About Your Airbags

---

### How Your Side Airbags Work

Your car is equipped with side airbags for the driver and a front seat passenger. The airbags are stored in the outer edges of the front seat-backs, and both are marked “SIDE AIRBAG.”



If you ever have a moderate to severe side impact, the sensors will detect rapid deceleration and signal the control unit to instantly inflate either the driver’s or the passenger’s side airbag.

Only one airbag will deploy during a side impact. If the impact is on the passenger’s side, the passenger’s side airbag will deploy even if there is no passenger.

To get the best protection from the side airbags, front seat occupants should wear their seat belts and sit upright and well back in their seats.

## Additional Information About Your Airbags

---

### How the SRS Indicator Light Works

**SRS** The purpose of the SRS indicator light is to alert you to a potential problem with your front airbags. This light will also alert you to a potential problem with your automatic seat belt tensioners (page 45 ); or your side airbags or passenger's side airbag automatic cutoff system (page 49 ).

When you turn the ignition ON (II), this indicator will light briefly then go out. This tells you that the system is working properly.

If the light comes on at any other time, or does not come on at all, you should have the system checked by your dealer. For example:

- If the SRS indicator light does not come on after you turn the ignition ON (II).
- If the light stays on after the engine starts.
- If the light comes on or flashes on and off while you drive.

If you see any of these indications, your front or side airbags may not deploy, your passenger's side airbag automatic cutoff system may not work properly, or your seat belt tensioners may not work when you need them. See your Acura dealer as soon as possible.

### **WARNING**

Ignoring the SRS indicator light can result in serious injury or death if the airbags, cutoff system, or tensioners do not work properly.

Have your vehicle checked by a dealer as soon as possible if the SRS light alerts you to a potential problem.

### How The Side Airbag Off Indicator Light Works



This light alerts you that the passenger's side airbag has been automatically shut off.

To reduce the risk of injury from an inflating side airbag, your car has an automatic cutoff system for the passenger's side airbag.

Although Acura does not encourage children to ride in the front seat, this system is designed to shut off the side airbag if a child leans sideways and the child's head is in the side airbag deployment path.

If a small-statured adult leans sideways, or larger adult slouches and leans sideways into the deployment path of the side airbag, the system may also shut off the side airbag.

If the side airbag off indicator light comes on, you should have the passenger sit upright. Once the passenger is out of the deployment path of the side airbag, the system will turn the airbag back on and the light will go out.

A front seat passenger should not use a cushion or other object as a backrest. It may prevent the cutoff system from working properly.

When you turn the ignition ON (II), the indicator should light briefly and go out (see page 60 ). If it doesn't light, stays on, or comes on while driving without a passenger in the front seat, have the system checked.

## Additional Information About Your Airbags

---

### Airbag Service

Your front and side airbag systems are virtually maintenance-free, and there are no parts you can safely service. However, you must have your car serviced if:

- ***Your airbags ever inflate.*** Any airbag that has deployed must be replaced along with the control unit and other related parts. Do not try to remove or replace any airbag by yourself. This must be done by an Acura dealer or a knowledgeable body shop.
- ***The SRS indicator light alerts you to a problem.*** Take your car to an authorized Acura dealer as soon as possible. If you ignore this indication, the airbags might not inflate when you need them.

### Additional Safety Precautions

- ***Do not attempt to deactivate your airbags.*** Together, airbags and seat belts provide the best protection.
- ***Do not tamper with airbag components or wiring for any reason.*** Tampering could cause the airbags to deploy, possibly causing very serious injury.
- ***Do not expose the front seat-backs to water.*** If rain or spilled water soaks into a seat-back, it can prevent the side airbag system from working properly.

- ***Do not cover or replace front seat-back covers without consulting an Acura dealer.*** Improperly replacing or covering front seat-back covers can prevent your side airbags from inflating during a collision.

See page [172](#) for further information and precautions relating to your airbags.

Your car's exhaust contains carbon monoxide gas. You should have no problem with carbon monoxide entering the car in normal driving if you maintain your car properly.

Have the exhaust system inspected for leaks whenever:

- The car is raised for an oil change.
- You notice a change in the sound of the exhaust.
- The car was in an accident that may have damaged the underside.

### **⚠ WARNING**


Carbon monoxide gas is toxic. Breathing it can cause unconsciousness and even kill you.

Avoid any enclosed areas or activities that expose you to carbon monoxide.

High levels of carbon monoxide can collect rapidly in enclosed areas, such as a garage. Do not run the engine with the garage door closed. Even with the door open, run the engine only long enough to move the vehicle out of the garage.

With the trunk lid open, air flow can pull exhaust gas into your car's interior and create a hazardous condition. If you must drive with the trunk lid open, open all the windows and set the climate control system as shown below.

If you must sit in your parked car, even in an unconfined area, with the engine running, adjust the climate control system as follows:

1. Select the Fresh Air mode.
2. Select the  mode.
3. Set the fan speed to high.
4. Set the temperature control to a comfortable setting.



# Safety Labels

These labels are in the locations shown. They warn you of potential hazards that could cause serious injury. Read these labels carefully.

If a label comes off or becomes hard to read, contact your Acura dealer for a replacement.

## DASHBOARD

*U.S. models only*

**▲ WARNING**

**Children Can Be KILLED or INJURED by Passenger Air Bag**

- The back seat is the safest place for children 12 and under.
- Make sure all children use seat belts or child seats.

To be removed by owner only.

## HOOD

**▲ WARNING**

**Accidental deployment can seriously hurt or kill you. Follow Service Manual instructions carefully.**

**▲ ATTENTION**

Un déploiement accidentel risque de causer de graves blessures, voire la mort. Suivre attentivement les instructions du manuel de réparation.

## SUN VISOR

*U.S. models*

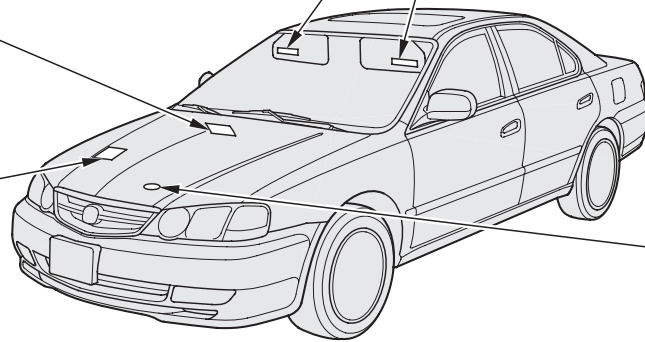
**▲ WARNING**

**DEATH or SERIOUS INJURY can occur**

- Children 12 and under can be killed by the air bag
- The **BACK SEAT** is the **SAFEST** place for children
- **NEVER** put a rear-facing child seat in the front
- Sit as far back as possible from the air bag
- **ALWAYS** use **SEAT BELTS** and **CHILD RESTRAINTS**

*Canadian models*

<p><b>CAUTION</b> TO AVOID SERIOUS INJURY: • FOR MAXIMUM SAFETY PROTECTION IN ALL TYPES OF CRASHES, YOU MUST ALWAYS WEAR YOUR SAFETY BELT • DO NOT INSTALL REARWARD-FACING CHILD SEATS IN ANY FRONT PASSENGER SEAT POSITION. • DO NOT SIT OR LEAN UNNECESSARILY CLOSE TO THE AIR BAG. • DO NOT PLACE ANY OBJECTS OVER THE AIR BAG OR BETWEEN THE AIR BAG AND YOURSELF. • SEE THE OWNER'S MANUAL FOR FURTHER INFORMATION AND EXPLANATIONS.</p>	<p><b>PRECAUTION:</b> POUR ÉVITER DES BLESSURES GRAVES: • POUR PROFITER D'UNE PROTECTION MAXIMALE, OUS D'UNE COLLISION, BOUCLEZ TOUJOURS VOTRE CEINTURE DE SÉCURITÉ. • N'INSTALLEZ JAMAIS UN SIÈGE POUR ENFANTS FAISANT FACE À L'ARRIÈRE SUR LE SIÈGE DU PASSAGER AVANT. • NE VOUS APPUYEZ PAS ET NE VOUS ASSEYEZ PAS PRES DU COUSSIN GONFLABLE. • NE D'POSEZ AUCUN OBJET SUR LE COUSSIN GONFLABLE OU ENTRE LE COUSSIN GONFLABLE ET VOUS. • LISEZ LE GUIDE UTILISATEUR POUR DE PLUS AMPLES RENSEIGNEMENTS.</p>
---	--



## RADIATOR CAP

**DANGER**

**WARNING**

危険

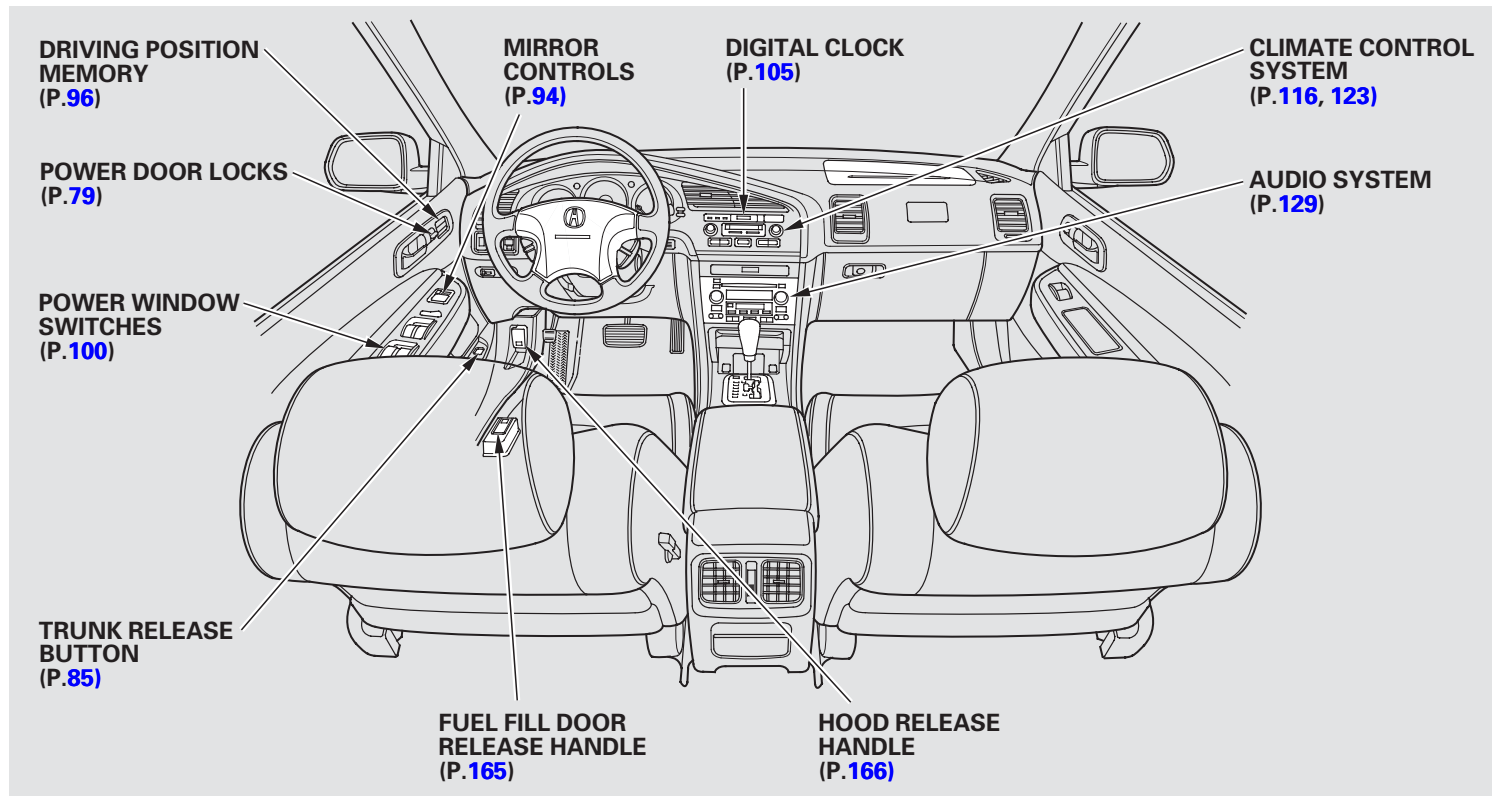
- ▶ NEVER OPEN WHEN HOT. Hot coolant will scald you.
- ▶ N'OUVREZ PAS QUAND CHAUD. N'EST BEI HEISSEM MOTOR OFFEN.
- ▶ 熱い時あけないで下さい。
- ▶ 高温時、請勿打开。

**1.1**

This section gives information about the controls and displays that contribute to the daily operation of your Acura. All the essential controls are within easy reach.

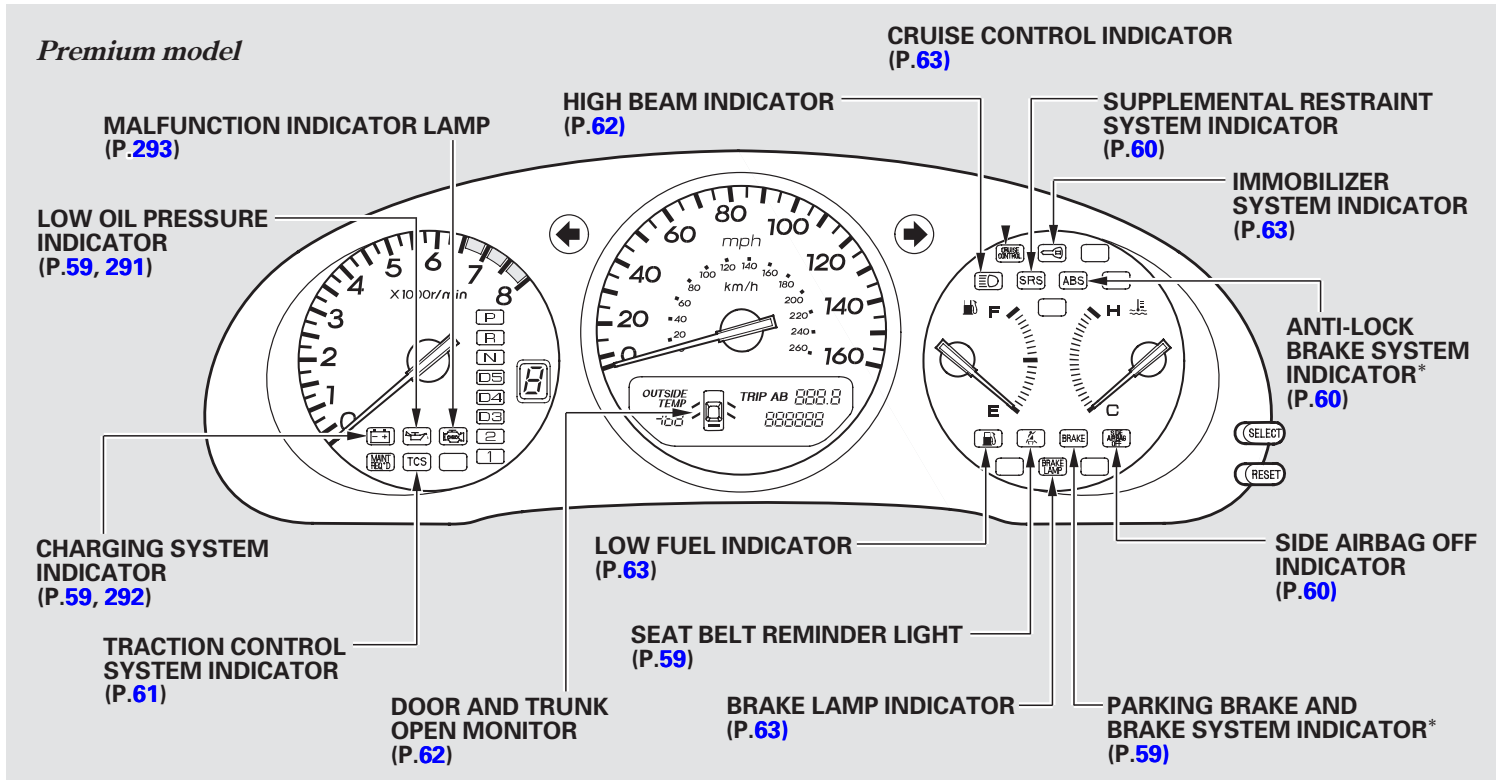
Control Locations .....	56	Fog Lights .....	70	Front Passenger's Seat	
Indicator Lights.....	57	Automatic Lighting Off		Adjustments .....	90
Gauges .....	64	Feature.....	70	Head Restraints .....	91
Speedometer .....	64	Daytime Running Lights.....	70	Armrest.....	92
Tachometer .....	64	Instrument Panel Brightness.....	71	Mirrors.....	94
Odometer.....	65	Turn Signals .....	71	Adjusting the Power Mirrors.....	94
Trip Meter .....	65	Windshield Wipers .....	72	Driving Position Memory	
Outside Temperature		Windshield Washers .....	73	System.....	96
Indicator.....	66	Hazard Warning.....	73	Seat Heaters .....	99
Temperature Gauge.....	66	Rear Window Defogger.....	74	Power Windows .....	100
Fuel Gauge .....	66	Steering Wheel Adjustment.....	75	Moonroof .....	103
Maintenance Required		Keys and Locks.....	76	Parking Brake .....	104
Indicator.....	67	Keys.....	76	Digital Clock.....	105
Controls Near the Steering		Immobilizer System.....	77	Console Compartment .....	106
Wheel.....	68	Ignition Switch .....	78	Coin Box .....	106
Headlights .....	69	Power Door Locks.....	79	Armrest Storage	
		Remote Transmitter.....	81	Compartments .....	107
		Childproof Door Locks .....	84	Beverage Holder.....	108
		Trunk .....	85	Sun Visor.....	109
		Emergency Trunk Opener .....	86	Vanity Mirror .....	109
		Glove Box .....	87	Sunglasses Holder .....	110
		Seat Adjustments.....	88	Accessory Power Sockets.....	110
		Driver's Seat Full Power		Interior Lights .....	111
		Adjustments .....	88	Storage Tray.....	112
		Driver's Lumbar Support.....	90		

# Control Locations



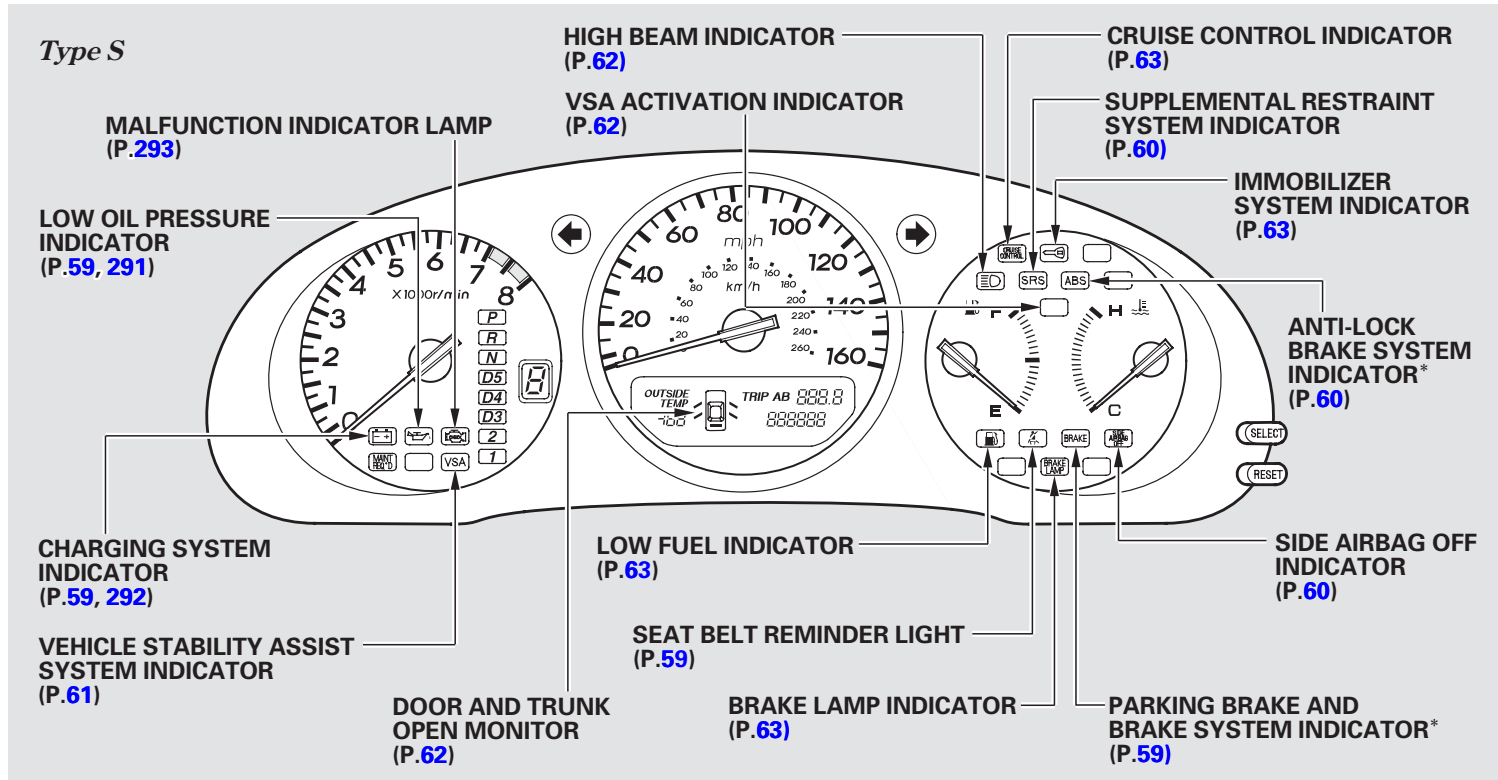
# Indicator Lights

*Premium model*



\* The U.S. instrument panel is shown. Differences for the Canadian models are noted in the text.

# Indicator Lights



\* The U.S. instrument panel is shown. Differences for the Canadian models are noted in the text.

The instrument panel has many indicators to give you important information about your car.



## Seat Belt Reminder Light

This indicator lights when you turn the ignition switch ON (II). It is a reminder to you and your passengers to protect yourselves by fastening the seat belts. A beeper also sounds if you have not fastened your seat belt.

If you do not fasten your seat belt, the beeper will stop after a few seconds but the light stays on until you do. Both the light and the beeper stay off if you fasten your seat belt before turning on the ignition.



## Low Oil Pressure Indicator

The engine can be severely damaged if this light flashes or stays on when the engine is running. For complete information, see page [291](#).



## Charging System Indicator

If this light comes on when the engine is running, the battery is not being charged. For complete information, see page [292](#).



## Malfunction Indicator Lamp

See page [293](#).

U.S.

BRAKE

Canada



## Parking Brake and Brake System Indicator

This light has two functions:

1. This indicator comes on when you turn the ignition switch ON (II). It is a reminder to check the parking brake. Driving with the parking brake not fully released can damage the brakes and tires.
2. If the indicator remains lit after you have fully released the parking brake while the engine is running, or if it comes on while driving, it can indicate a problem in the brake system. For complete information, see page [295](#).

# Indicator Lights

---

U.S.

Canada



## Anti-lock Brake System (ABS) Indicator

This light normally comes on for a few seconds when you turn the ignition switch ON (II), and when the ignition switch is turned to START (III). If this light comes on at any other time, there is a problem in the ABS. If this happens, take the car to your dealer to have it checked. With the light on, your car still has normal braking ability but no anti-lock. For complete information, see page [191](#).

**SRS**

## Supplemental Restraint System Indicator

This indicator lights when you turn the ignition switch ON (II). If it comes on at any other time, it indicates a potential problem with your front airbags. This light will also alert you to a potential problem with your side airbags or passenger's side airbag automatic cutoff system. For complete information, see page [50](#).

**SIDE AIRBAG OFF**

## Side Airbag Off Indicator

This indicator lights when you turn the ignition switch ON (II). If it comes on at any other time, it indicates that the passenger's side airbag has automatically shut off. For complete information, see page [51](#).

## **TCS** Traction Control System (TCS) Indicator

*On Premium model*

This indicator has three functions:

1. It comes on as a reminder that you have turned off the Traction Control System.
2. It flashes when the TCS is regulating wheelspin.
3. If it comes on and stays on when the Traction Control System is on, it indicates that there is a problem in the TCS.

This light also comes on when you turn the ignition ON (II) and goes off after the engine starts. See page [193](#) for more information on the TCS.

## **VSA** Vehicle Stability Assist (VSA) System Indicator

*On Type S*

This indicator normally comes on for a few seconds when you turn the ignition switch ON (II).

If this light comes on and stays on at any other time, or it does not come on when you turn the ignition switch ON (II), there is a problem with the VSA system. Take the car to your dealer to have it checked. Without VSA, your car still has normal driving ability, but will not have VSA traction and stability enhancement. See page [196](#) for more information on the VSA system.



## VSA Activation Indicator

*On Type S*

This indicator has three functions:

1. It comes on as a reminder that you have turned off the Vehicle Stability Assist (VSA) system.
2. It flashes when VSA is active (see page [196](#) ).
3. It comes on along with the VSA system indicator if there is a problem with the VSA system.

This indicator normally comes on for a few seconds when you turn the ignition switch ON (II). See page [196](#) for more information on the VSA system.



# Indicator Lights

---

## Door and Trunk Open Monitor



The appropriate light comes on in this display if the trunk or any door is not closed tightly.

All the lights in the monitor display come on for a few seconds when you turn the ignition switch ON (II).



## Turn Signal and Hazard Warning Indicators

The left or right turn signal light blinks when you signal a lane change or turn. If the light does not blink or blinks rapidly, it usually means one of the turn signal bulbs is burned out (see page [260](#)). Replace the bulb as soon as possible, since other drivers cannot see that you are signalling.

When you turn on the Hazard Warning switch, both turn signal lights blink. All turn signals on the outside of the car should flash.



## “Daytime Running Lights” Indicator

*Canadian models only*

This indicator lights when you turn the ignition switch to ON (II) with the headlight switch off and the parking brake set. It should go off if you turn on the headlights or release the parking brake. If it comes on at any other time, it means there is a problem with the DRL. There may also be a problem with the high beam headlights.



## High Beam Indicator

This light comes on with the high beam headlights. See page [69](#) for information on the headlight controls.

On Canadian models, this indicator comes on with reduced brightness when the Daytime Running Lights (DRL) are on (see page [70](#)).



## Cruise Control Indicator

This lights when you set the cruise control. See page [76](#) for information on operating the cruise control.



## Low Fuel Indicator

This light comes on as a reminder that you must refuel soon.



## Brake Lamp Indicator

If a brake light does not work, the **BRAKE LAMP** indicator comes on when you push the brake pedal with the ignition switch ON (II).

A burned out brake light is a hazard when drivers behind you cannot tell you are braking. Have your brake lights repaired right away.



## Immobilizer System Indicator

This indicator comes on for a few seconds when you turn the ignition switch ON (II). It will then go off if you have inserted a properly-coded ignition key. If it is not a properly-coded key, the indicator will blink and the engine will not start (see page [77](#) ).

This indicator also blinks several times when you turn the ignition switch from ON (II) to ACCESSORY (I) or LOCK (0).



## Washer Level Indicator

*Canadian models only*

This light comes on when the washer fluid level is low. Add washer fluid when you see this light come on (see page [234](#) ).

# Gauges

## Speedometer

### *U.S. Models*

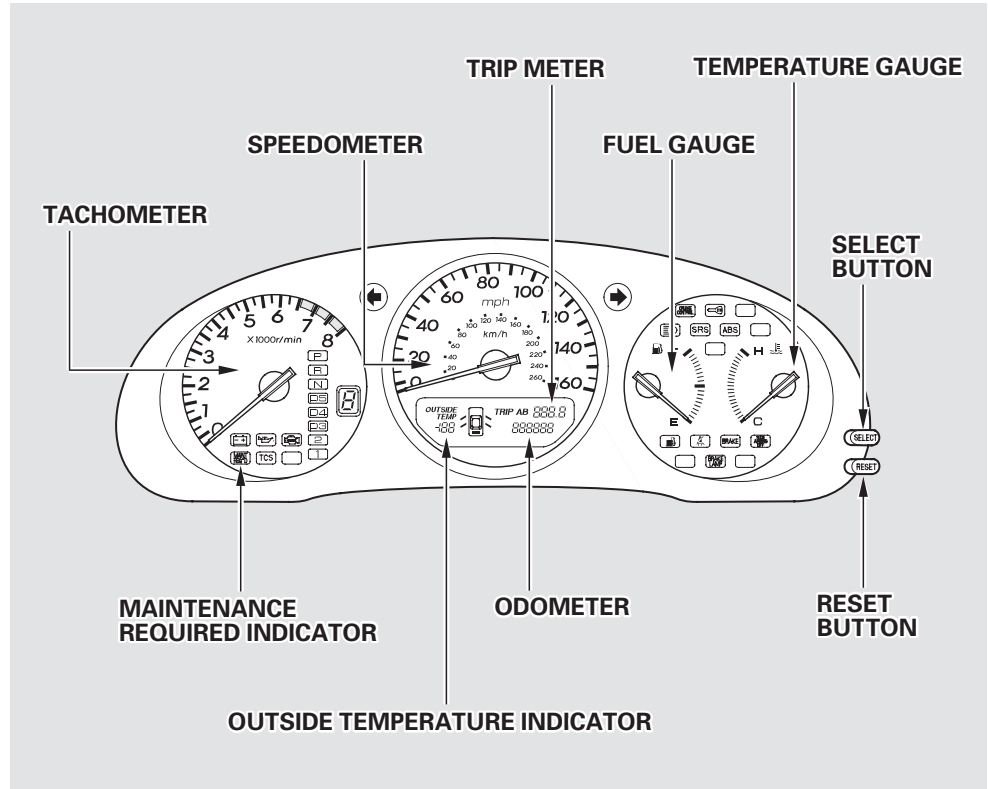
This shows your speed in miles per hour (mph). The smaller inner numbers are the speed in kilometers per hour (km/h).

### *Canadian Models*

This shows your speed in kilometers per hour (km/h). The smaller inner numbers are the speed in miles per hour (mph).

## Tachometer

The tachometer shows the engine speed in revolutions per minute (rpm). To protect the engine from damage, never drive with the tachometer needle in the red zone.



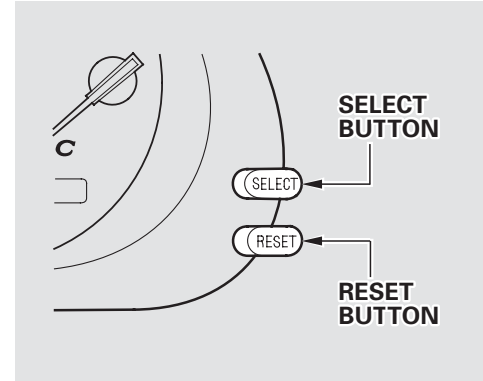
## Odometer

The odometer shows the total distance your car has been driven. It measures miles in U.S. models and kilometers in Canadian models. It is illegal under U.S. federal law and Canadian provincial regulations to disconnect, reset, or alter the odometer with the intent to change the number of miles or kilometers indicated.

## Trip Meter

The trip meter shows the number of miles (U.S.) or kilometers (Canada) driven since you last reset it.

There are two trip meters: Trip A and Trip B. Switch between these displays by pressing the Select button repeatedly. Each trip meter works independently, so you can keep track of two different distances. When you turn the ignition switch ON (II), what you last selected is displayed.



To reset a trip meter, display it, and then press and hold the Reset button until the number resets to “0.0”. Both trip meters will reset if the car’s battery goes dead or is disconnected.

# Gauges

---

## Outside Temperature Indicator

This indicator displays the outside temperature in Fahrenheit in U.S. models, and in Centigrade in Canadian models.

The temperature sensor is located in the front bumper. Therefore, the temperature reading can be affected by heat reflection from the road surface, engine heat, and the exhaust from the surrounding traffic. This can cause the temperature reading not to be correct when your speed is under 19 mph (30 km/h).

In certain weather conditions, temperature readings near freezing (32°F, 0°C) could mean that ice is forming on the road surface.

## Temperature Gauge

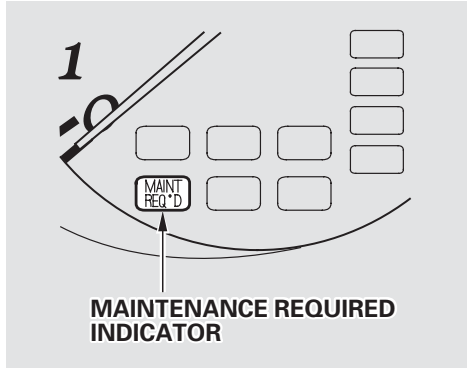
This shows the temperature of the engine's coolant. During normal operation, the pointer should rise from the bottom white mark to about the middle of the gauge. In severe driving conditions, such as very hot weather or a long period of uphill driving, the pointer may rise to near the upper red mark. If it reaches the red (Hot) mark, pull safely to the side of the road. Turn to page [289](#) for instructions and precautions on checking the engine's cooling system.

## Fuel Gauge

This shows how much fuel you have. It is most accurate when the car is on level ground. It may show slightly more or less than the actual amount when you are driving on curvy or hilly roads.

The needle returns to the bottom after you turn off the ignition. The gauge shows the fuel level reading immediately after you turn the ignition switch back ON (II).

## Maintenance Required Indicator



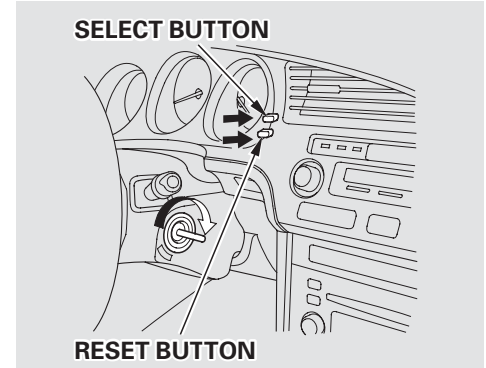
This indicator reminds you that it is time to take your car in for scheduled maintenance. Refer to the Maintenance Schedules for Normal and Severe Driving Conditions on pages [214](#) – [218](#).

For the first 6,000 miles (9,600 km) after the Maintenance Required Indicator is reset, it will come on for two seconds when you turn the ignition switch ON (II).

Between 6,000 miles (9,600 km) and 7,500 miles (12,000 km) this indicator will light for two seconds when you first turn the ignition switch ON (II), and then flash for ten seconds.

If you exceed 7,500 miles (12,000 km) without having the scheduled maintenance performed, this indicator will remain on as a constant reminder.

Your dealer will reset this indicator after completing the scheduled maintenance. If this maintenance is done by someone other than your Acura dealer, reset the indicator as follows.



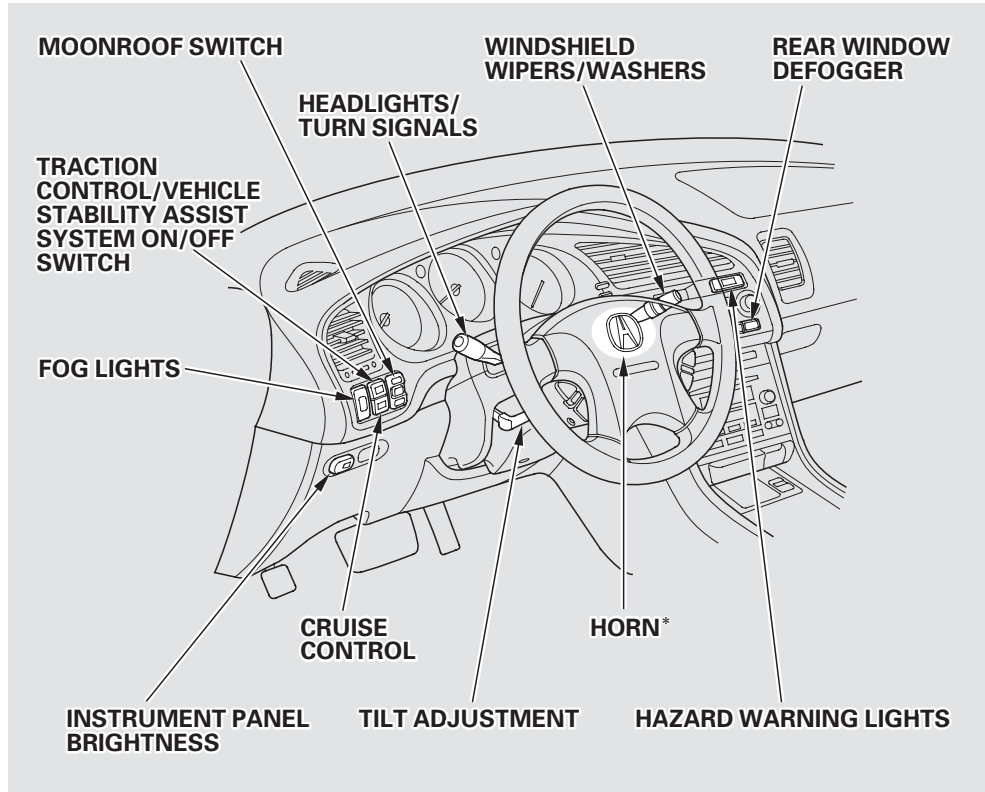
1. Turn off the engine.
2. Press and hold the select and reset buttons on the instrument panel, then turn the ignition switch ON (II).
3. Hold the buttons for approximately ten seconds until the indicator resets.

## Controls Near the Steering Wheel

The two levers on the steering column contain controls for driving features you use most often. The left lever controls the turn signals, headlights, and high beams. The right lever controls the windshield washers and wipers.

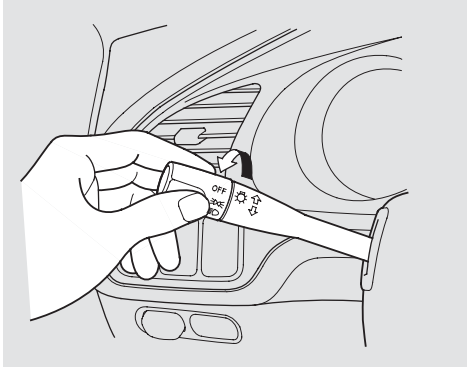
The controls under the left air vent are for the fog lights, the moonroof, the cruise control and the VSA/TCS.

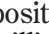

The tilt adjustment lever on the underside of the steering column allows you to tilt the steering wheel.



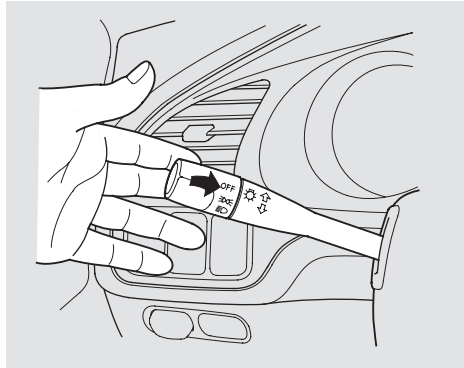
\* To use the horn, press the pad around the “A” logo.

### Headlights



The rotating switch on the left lever controls the lights. Turning this switch to the “” position turns on the parking lights, taillights, instrument panel lights, side-marker lights, and rear license plate lights. Turning the switch to the “” position turns on the headlights.

If you leave the lights on with the ignition switch in ACCESSORY (I) or LOCK (0), you will hear a reminder chime when you open the driver’s door.



To change between low beams and high beams, pull the turn signal lever until you hear a click, then let go. The blue high beam indicator will light (see page [62](#)).

To flash the high beams, pull the turn signal lever back lightly, then release it. The high beams will come on and go off.

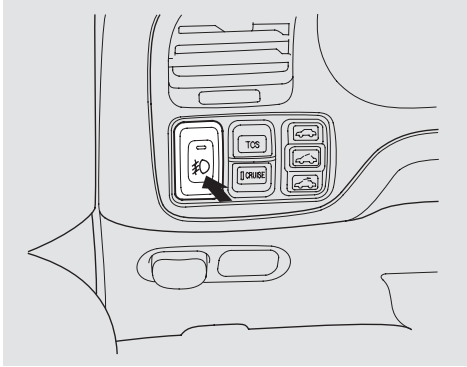
The high beams will stay on for as long as you hold the lever back, no matter what position the headlight switch is in.



# Controls Near the Steering Wheel

---

## Fog Lights



Turn the fog lights on and off by pressing the button. The indicator in the button lights to show the fog lights are on.

You can use the fog lights only when the headlights are on low beam. They will go off when you turn the headlights off or onto high beam.

## Automatic Lighting Off Feature

The Automatic Lighting Off feature turns off the headlights, and all other exterior lights and the instrument panel lights within 15 seconds of removing the key from the ignition switch and closing the driver's door.

This feature activates if you leave the headlight switch in the “ $\text{D}$ ” or “ $\text{D}$ ” position, remove the key, open, then close the driver's door.

If you remove the key from the ignition switch with the headlight switch on, but do not open the door and get out, the lights will turn off after ten minutes.

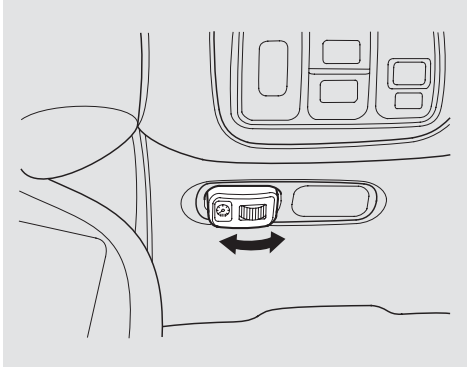
The lights will turn on again when you unlock or open the driver's door. If you unlock the door, but do not open it within 15 seconds, the lights will go off. With the driver's door open, you will hear a lights-on reminder chime.

## Daytime Running Lights (Canadian Models)

With the headlight switch off, the high beam headlights come on with reduced brightness when you turn the ignition switch to ON (II) and release the parking brake. They remain on until you turn the ignition off, even if you set the parking brake.

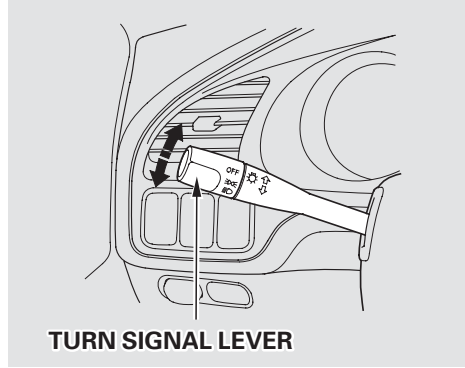
The headlights revert to normal operation when you turn them on with the switch.

## Instrument Panel Brightness



The dial on the instrument panel controls the brightness of the instrument panel lights. Turn the dial to adjust the brightness.

## Turn Signals

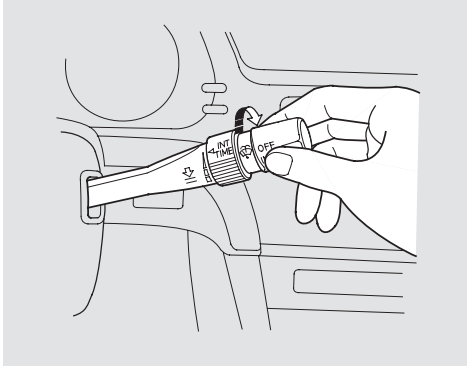


Signal a turn or lane change with this lever. Push down on the lever to signal a left turn, and up to signal a right turn. If you push it up or down all the way, the turn signal continues to blink even when you release the lever. It shuts off automatically as you complete the turn.

To signal a lane change, push lightly on the turn signal lever in the proper direction and hold it. The lever will return to the center position as soon as you release it.

# Controls Near the Steering Wheel

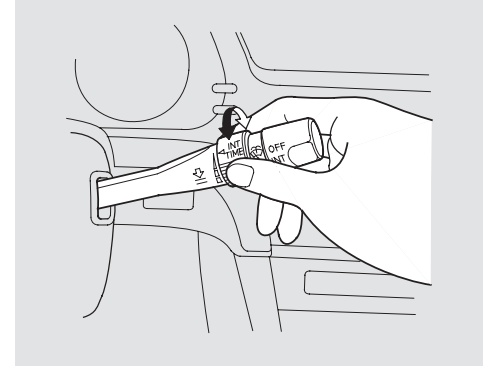
## Windshield Wipers



The right lever controls the windshield wipers and washers. The rotary switch at the end of the lever has three positions:

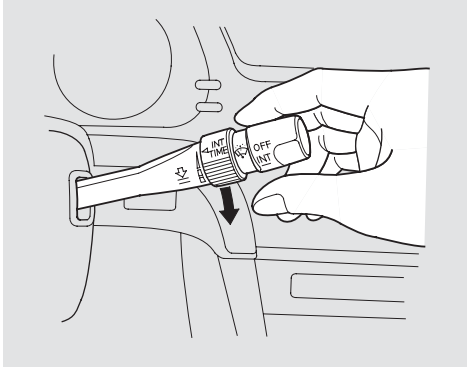
- INT: intermittent
- : low speed
- — : high speed

In intermittent, the wipers operate every few seconds. The sweep interval will change slightly with speed; getting shorter as you drive faster. In low speed and high speed, the wipers run continuously.



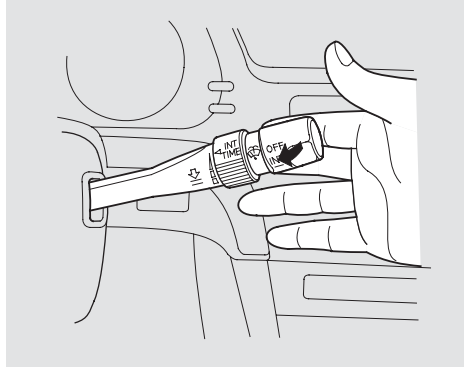
You can vary how often the wipers sweep the windshield by turning the INT TIME ring next to the rotary switch.

If you turn the INT TIME ring to the shortest delay, the wipers will change from intermittent to low speed operation when vehicle speed exceeds 12 mph (20 km/h).



To operate the wipers in mist mode, push the control lever down. The wipers run at high speed until you release the lever. This gives you a quick way to clear the windshield.

### Windshield Washers



To clean the windshield, pull back on the wiper control lever. The washers spray until you release the lever. The wipers run at low speed while you're pulling the lever, then complete one more sweep of the windshield after you release it.

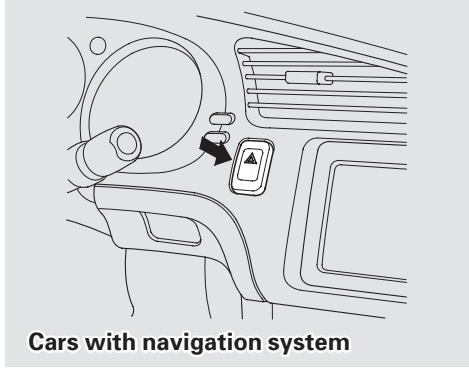
### Hazard Warning



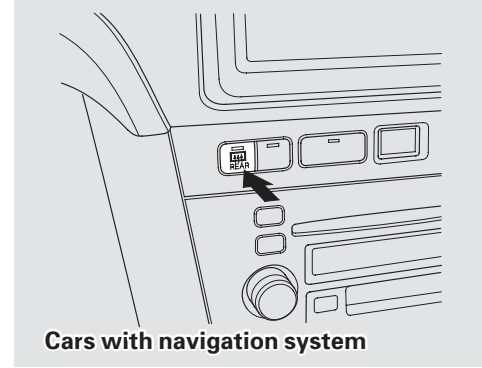
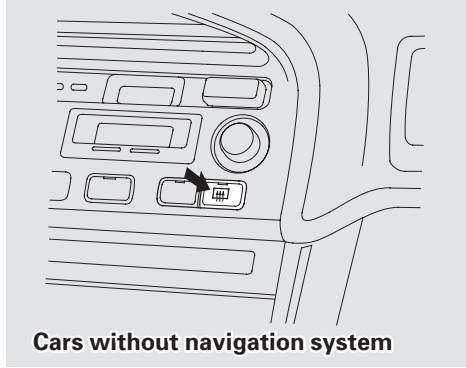
Push the red button to turn on the hazard warning lights (four-way flashers). This causes all four outside turn signals and both indicators in the instrument panel to flash. Use the hazard warning lights if you need to park in a dangerous area near heavy traffic, or if your car is disabled.

*CONTINUED*

# Controls Near the Steering Wheel



## Rear Window Defogger



The rear window defogger will clear fog, frost, and thin ice from the window. Push the defogger button to turn it on and off. The light in the button lights to show the defogger is on. If you do not turn it off, the defogger will shut itself off after about 15 minutes. It also shuts off when you turn off the ignition. You have to turn it on again when you restart the car.

Make sure the rear window is clear and you have good visibility before starting to drive.

The defogger and antenna wires on the inside of the rear window can be accidentally damaged. When cleaning the glass, always wipe side to side.

### Steering Wheel Adjustment

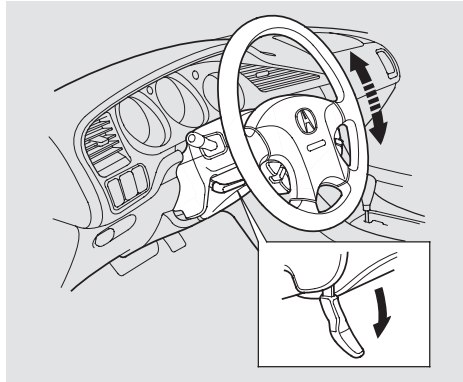
See page 18 for important safety information about how to properly position the steering wheel.

Make any steering wheel adjustment before you start driving.

#### **⚠ WARNING**

Adjusting the steering wheel position while driving may cause you to lose control of the car and be seriously injured in a crash.

Adjust the steering wheel only when the car is stopped.

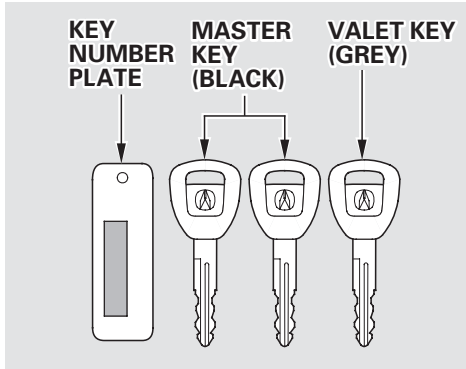


To adjust the steering wheel upward or downward:

1. Push the lever under the steering column all the way down.
2. Move the steering wheel to the desired position, making sure the wheel points toward your chest, not toward your face. Make sure you can see the instrument panel gauges and the indicator lights.
3. Push the lever up to lock the steering wheel in that position.
4. Make sure you have securely locked the steering wheel in place by trying to move it up and down.

# Keys and Locks

## Keys



Your car comes with two master keys and a valet key. The master key fits all the locks on your car:

- Ignition
- Doors
- Glove box
- Trunk pass-through cover

The valet key works only in the ignition and the door locks. You can keep the trunk pass-through cover, and glove box locked when you leave your car and the valet key at a parking facility.

You should have received a key number plate with your keys. You will need this key number if you ever have to get a lost key replaced. Keep the plate stored in a safe place. If you need to replace a key, use only an Acura-approved key blank.

These keys contain electronic circuits that are activated by the Immobilizer System. They will not work to start the engine if the circuits are damaged.

- Protect the keys from direct sunlight, high temperature, and high humidity.

- Do not drop the keys or set heavy objects on them.
- Keep the keys away from liquids. If they get wet, dry them immediately with a soft cloth.

The keys do not contain batteries. Do not try to take them apart.

### *Remote Transmitter*

Your car also comes with two remote transmitters; see page 81 for an explanation of the operation.

### **Immobilizer System**

The Immobilizer System protects your car from theft. A properly-coded master or valet key must be used in the ignition switch for the engine to start. If an improperly-coded key (or other device) is used, the engine's fuel system is disabled.

When you turn the ignition switch to ON (II), the Immobilizer System indicator should come on for a few seconds, then go out. If the indicator starts to blink, it means the system does not recognize the coding of the key. Turn the ignition switch to LOCK (0), remove the key, reinsert it, and turn the switch to ON (II) again.

The system may not recognize your key's coding if another immobilizer key or other metal object is near the ignition switch when you insert the key. To make sure the system recognizes the key code:

- Do not keep other immobilizer keys on the same key ring.
- Use a plastic or leather key fob, not metal.
- Keep other keys away from your car's key and the ignition switch while trying to start the engine.

If the system repeatedly does not recognize the coding of your key, contact your Acura dealer.

This indicator will also blink several times when you turn the ignition switch from ON (II) to ACCESSORY (I) or LOCK (0).

Do not attempt to alter this system or add other devices to it. Electrical problems could result that may make your car undriveable.

If you have lost your key and you cannot start the engine, contact your Acura dealer.

*CONTINUED*



# Keys and Locks

---

*As required by the FCC:*

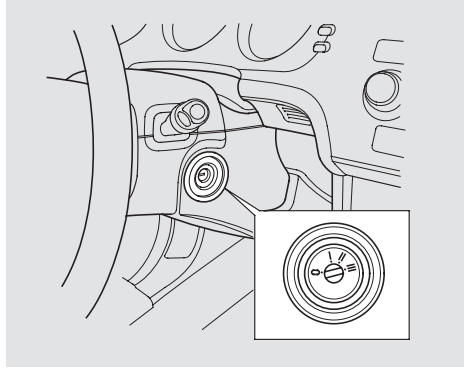
*This device complies with Part 15 of the FCC rules. Operation is subject to the following two conditions: (1) This device may not cause harmful interference, and (2) this device must accept any interference received, including interference that may cause undesired operation.*

*Changes or modifications not expressly approved by the party responsible for compliance could void the user's authority to operate the equipment.*

*This device complies with Industry Canada Standard RSS-210.*

*Operation is subject to the following two conditions: (1) this device may not cause interference, and (2) this device must accept any interference that may cause undesired operation of the device.*

## Ignition Switch



The ignition switch is on the right side of the steering column. It has four positions:

- LOCK (0)
- ACCESSORY (I)
- ON (II)
- START (III)

**LOCK (0)** – You can insert or remove the key only in this position. To switch from ACCESSORY to LOCK, you must push the key in slightly as you turn it. The shift lever must also be in Park. The anti-theft lock will lock the steering column when you remove the key.

If the front wheels are turned, the anti-theft lock may sometimes make it difficult to turn the key from LOCK to ACCESSORY. Firmly turn the steering wheel to the left or to the right as you turn the key.

**ACCESSORY (I)** – In this position, you can operate the audio system and the accessory power sockets.

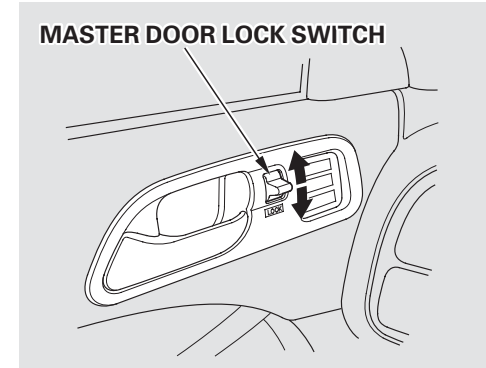
**ON (II)** – This is the normal key position when driving. All features and accessories on the car are usable. Several of the lights on the instrument panel come on as a test when you turn the ignition switch from ACCESSORY to ON.

**START (III)** – Use this position only to start the engine. The switch returns to ON (II) when you let go of the key.

The engine will not start if the Immobilizer System does not recognize the key's coding (see page 77 ).

You will hear a reminder beeper if you leave the key in the ignition switch in the LOCK (0) or ACCESSORY (I) position and open the driver's door. Remove the key to turn off the beeper.

### Power Door Locks



Each front door has a master door lock switch. Either switch locks and unlocks all doors. Push the switch down to lock all doors, and up to unlock them.

*CONTINUED*

## Keys and Locks

---

Each door has a lock tab at the top of the door. When you push down the lock tab on the driver's door, all doors lock. Pulling up the lock tab on the driver's door only unlocks that door. The lock tab on each passenger's door only locks and unlocks that door.

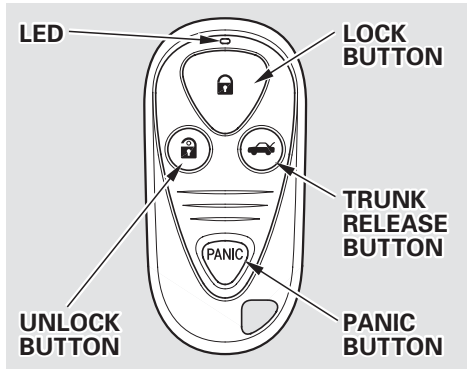
To lock any passenger's door when getting out of the car, push the lock tab down and close the door. To lock the driver's door, remove the key from the ignition switch and push the lock tab down or push the master switch down, then close the door.

All doors can be locked from the outside by using the key in either front door. To unlock only the driver's door from the outside, insert the key in the driver's door lock, turn the key and release it. If you turn the key and hold it, all doors will unlock. All four doors will unlock when you unlock the passenger's door with the key.

### ***Lockout Prevention***

If you forget and leave the key in the ignition switch, Lockout Prevention will not allow you to lock the driver's door. With the driver's door open and the key in the ignition, both master door lock switches are disabled. However, if the driver's door is not open, the master door lock switches are not disabled. Pushing the switch down on the open passenger's door will lock all doors. If you try to lock an open driver's door by pushing in the lock tab, the tabs on all doors pop out. Pushing in the lock tab on the passenger's door only locks that door.

## Remote Transmitter



You can lock and unlock your car with the remote transmitter. When you push the LOCK button, all doors lock. The parking lights, side marker lights, and taillights flash once.

When you push the LOCK button a second time within 5 seconds after you have locked the doors, you will hear a beep to verify that the doors are locked and the security system has set.

When you push the UNLOCK button once, only the driver's door unlocks. The remaining doors unlock when you push the button a second time. The parking lights, side marker lights, taillights and license plate lights flash twice, each time you push the button.

The ceiling light (if the ceiling light switch is in the center position) will come on when you press the UNLOCK button. If you do not open any door, the light stays on for about 10 seconds, then fades out. If you relock the doors with the remote transmitter before 10 seconds have elapsed, the light will go off immediately.

You cannot lock or unlock the doors with the remote transmitter if any door is not fully closed or the key is in the ignition switch.

If you unlock the doors with the remote transmitter, but do not open any of the doors within 30 seconds, the doors automatically relock and the security system sets.

To open the trunk, push the Trunk Release button for approximately one second.

You can open the trunk with the remote transmitter regardless of the position of the main switch in the glove box. The trunk will not open if the key is in the ignition switch.

*CONTINUED*

# Keys and Locks

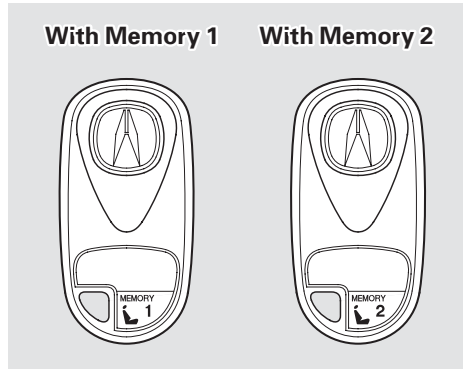
## *Panic Mode*

Panic mode allows you to remotely activate your car's security system to attract attention. When activated, the horn will sound, and the exterior lights will flash, for about 30 seconds. To activate panic mode, press and hold the PANIC button for about two seconds.

To cancel Panic mode before 30 seconds, press any button on the remote transmitter. You can also turn the ignition switch to ON (II).

Panic mode will not activate if the ignition switch is in the ON (II) position.

## *Recalling a Memorized Driving Position*



The remote transmitters will also activate the Driving Position Memory System (see page 96 ). When you open the driver's door after unlocking it with the remote transmitter, you will hear a beep. The driver's seat and outside mirrors move to the positions stored in that memory location. You will hear two beeps when the movement is complete.

If the seat and mirrors are already in the proper positions, you will hear three beeps when you open the door.

The driving position memory activated (Memory 1, Memory 2) is shown on the back of each transmitter. Make sure you store your desired driving position in the memory that is activated by the transmitter you normally carry.

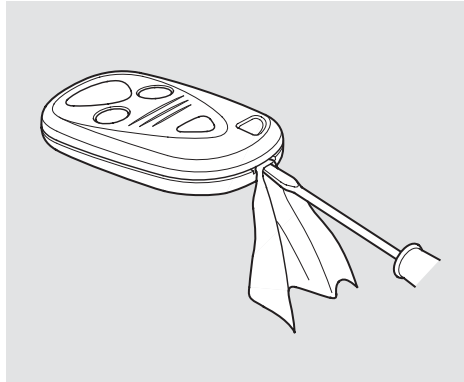
You can turn off this driving position memory activation. Press and hold the LOCK and UNLOCK buttons at the same time. The LED in the remote transmitter will blink twice. Then release the buttons.

To turn it back on, repeat this procedure. The LED will come on for one second to indicate the feature has been turned on.

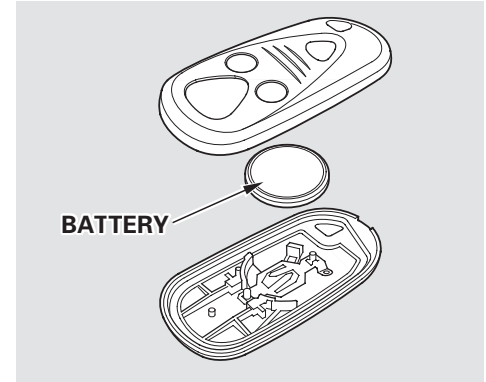
### ***Replacing the Battery***

When the remote transmitter's battery begins to get weak, it may take several pushes on the button to lock or unlock the doors, and the LED will not light. Replace the battery as soon as possible.

Battery type: CR2025



To replace the battery, place a cloth on the edge of the transmitter and remove the upper half by carefully prying on the edge with a small flat-tip screwdriver.



Remove the old battery and note the polarity. Make sure the polarity of the new battery is the same (– side facing up), then insert it in the transmitter.

Snap the two halves of the transmitter case back together.

*CONTINUED*

## Keys and Locks

*As required by the FCC:*

*This device complies with Part 15 of the FCC rules. Operation is subject to the following two conditions: (1) This device may not cause harmful interference, and (2) this device must accept any interference received, including interference that may cause undesired operation.*

*Changes or modifications not expressly approved by the party responsible for compliance could void the user's authority to operate the equipment.*

*This device complies with Industry Canada Standard RSS-210.*

*Operation is subject to the following two conditions: (1) this device may not cause interference, and (2) this device must accept any interference that may cause undesired operation of the device.*

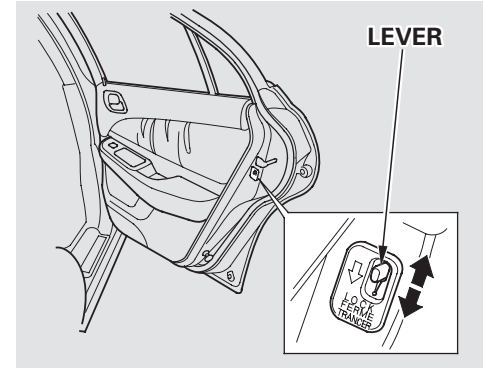
### **Transmitter Care**

Avoid severe shock to the transmitter, such as dropping or throwing it. Also, protect it from extreme hot or cold temperatures.

Clean the transmitter case with a soft cloth. Do not use strong cleaners or solvents that could harm the case. Immersing the transmitter in any liquid will harm the transmitter and cause it to not function properly.

If you lose a transmitter, you will need to have the replacement programmed to your car's system by your Acura dealer. Any other transmitters you have will also need to be reprogrammed.

### **Childproof Door Locks**



The childproof door locks are designed to prevent children seated in the rear from accidentally opening the rear doors. Each rear door has a lock lever near the edge. With the lever in the LOCK position, the door cannot be opened from the inside regardless of the position of the lock tab. To open the door, pull the lock tab up and use the outside door handle.

## Trunk



You can open the trunk in three ways:

- Press the trunk release button on the driver's door.
- Press the trunk release button on the remote transmitter.



- Reach through the trunk pass-through and pull the trunk release handle.

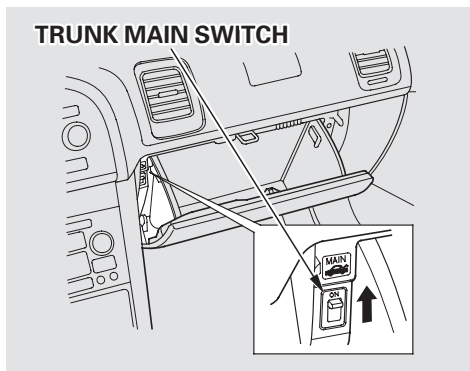
To close the trunk, press down on the trunk lid.

See page [173](#) for cargo loading and weight limit information. Keep the trunk lid closed at all times while driving to avoid damaging the lid, and to prevent exhaust gas from getting into the interior. See **Carbon Monoxide Hazard** on page [53](#).

*CONTINUED*



## Keys and Locks



To protect items in the trunk when you need to give the key to someone else:

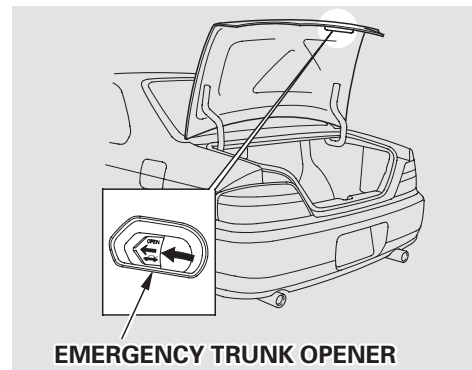
1. Disable the trunk release button on the driver's door by turning off the trunk main switch in the glove box.

2. Lock the glove box with the master key. Make sure the trunk pass-through cover is locked (see page 93 ).

3. Give the person the valet key.

Even if the trunk main switch is turned off, you can open the trunk with the remote transmitter.

## Emergency Trunk Opener



### *U.S. models only*

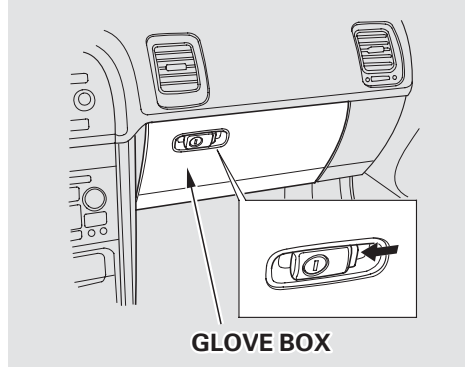
As a safety feature, your car has a release lever on the trunk latch so the trunk can be opened from the inside.

To open the trunk, push the release lever to the left.

Parents should decide if their children should be shown how to use this feature.

For more information about child safety, see pages [25](#) and [26](#).

### Glove Box



Open the glove box by squeezing the handle. Close it with a firm push. Lock or unlock the glove box with the master key.

The glove box light comes on only when the instrument panel lights are on.

### **⚠ WARNING**

An open glove box can cause serious injury to your passenger in a crash, even if the passenger is wearing the seat belt.

Always keep the glove box closed while driving.

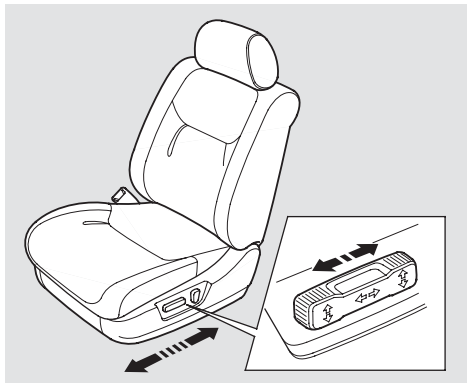
## Seat Adjustments

### Driver's Seat Full Power Adjustments

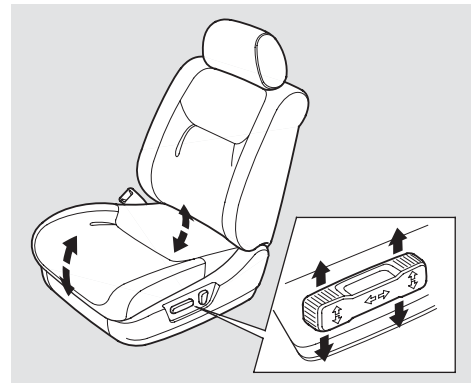
See pages 13 – 14 for important safety information and warnings about how to properly position seats and seat-backs.

The two power seat adjustment switches are on the outside edge of the seat bottom. The horizontal switch adjusts the seat bottom in several directions. The short vertical switch adjusts the seat-back angle.

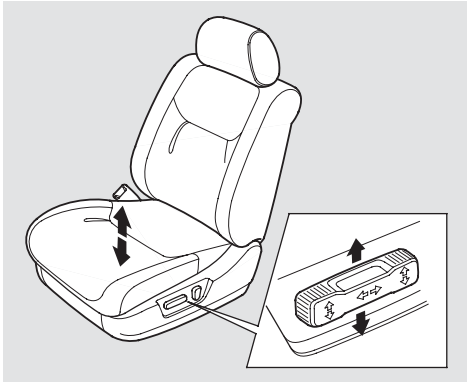
You can adjust the seat with the ignition switch in any position. Make all adjustments before you start driving.



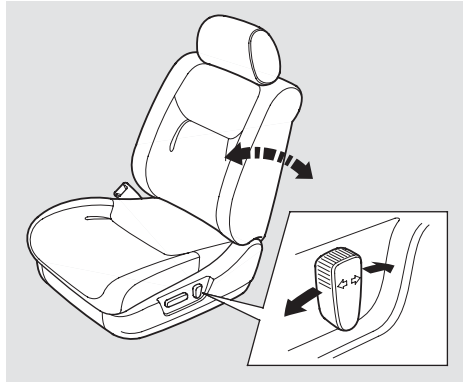
Push the horizontal switch forward or backward to move the seat forward or backward.



Pull up or push down on the front of the switch to move the seat bottom's front edge up or down. Pull up or push down on the rear of the switch to move the rear of the seat bottom up or down.



Pull the center of the horizontal switch up to raise the seat. Push it down to lower the seat.



Adjust the seat-back angle by pushing the rear switch in the direction you want to move.

The driver's seat includes a memory feature. Two seat positions can be stored in separate memories. You can then select a memorized position by pushing the appropriate memory button or using the remote transmitter. Refer to page 96 for how to memorize and select seat positions.

# Seat Adjustments

## Driver's Lumbar Support



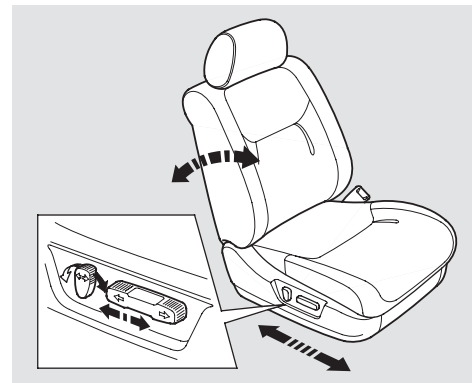
Vary the lumbar support by moving the lever on the right side of the seat-back. Move the lever forward or backward to adjust the lumbar support through its full range.

## Front Passenger's Seat Adjustments

See pages 13 – 14 for important safety information and warnings about how to properly position seats and seat-backs.

Make all seat adjustments before you start driving.

You can adjust the seat with the ignition switch in any position.



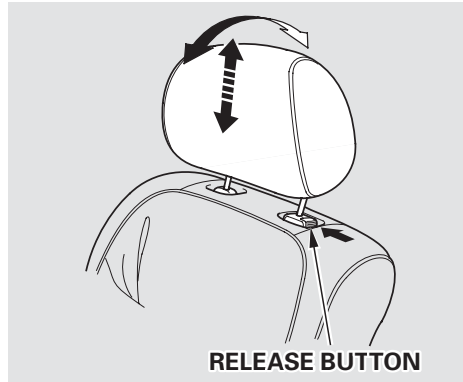
The seat adjustment switches are on the outside edge of the seat bottom. Push the long horizontal switch forward or backward to move the seat bottom in that direction.

Adjust the seat-back angle by pushing the vertical switch in the direction you want to move.

### Head Restraints

See page 15 for important safety information and a warning about how to properly position the head restraints.

The front head restraints help protect you and your passenger from whiplash and other injuries. They are most effective when you adjust them so the back of the occupant's head rests against the center of the restraint. A taller person should adjust the restraint as high as possible.

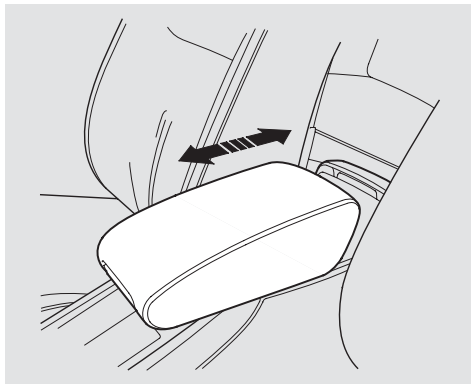


The head restraints adjust for height and tilt. You need both hands to adjust the restraint. Do not attempt to adjust it while driving. To raise it, pull upward. To lower the restraint, push the release button sideways and push the restraint down. To adjust the tilt, pivot the head restraint to the desired position.

To remove a head restraint for cleaning or repair, pull it up as far as it will go. Push the release button and pull the restraint out of the seat-back.

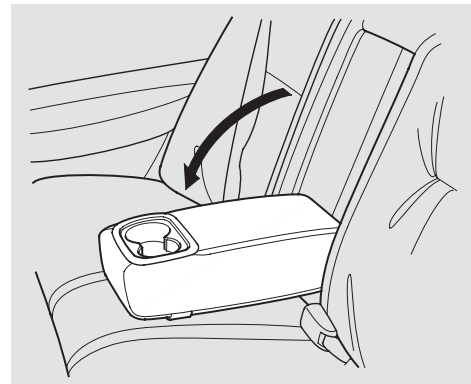
## Armrest

---



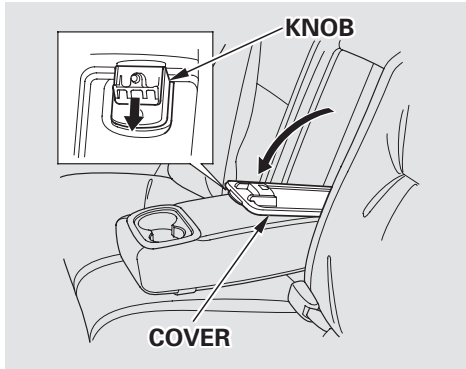
The lid of the console compartment can be used as an armrest by moving it forward and backward. Make sure the armrest is securely latched.

Make sure the passengers' hands or fingers are away from the armrest before moving it.



The rear seat armrest is located at the center of the rear seat. Pivot it down to use it.

## Trunk Pass-through Cover



The pass-through cover can be opened from either side; it folds forward onto the center armrest. Open the cover by sliding the knob downward and pushing or pulling on the cover. To close the cover, swing it up and push firmly on the top. Make sure it latches properly.

Make sure all items in the trunk and those extending through the pass-through are secured.

For security, this cover can be locked and unlocked only with the master key. To lock the cover, insert the key and turn it clockwise.

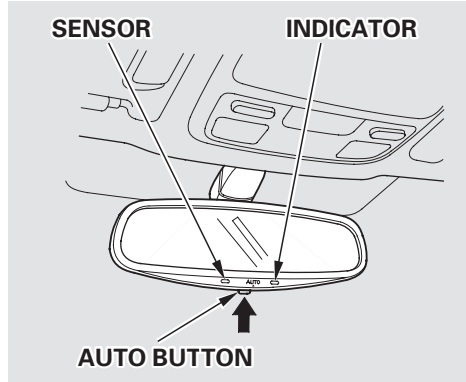
Never drive with this cover open and the trunk lid open.

See **Carbon Monoxide Hazard** on page 53.



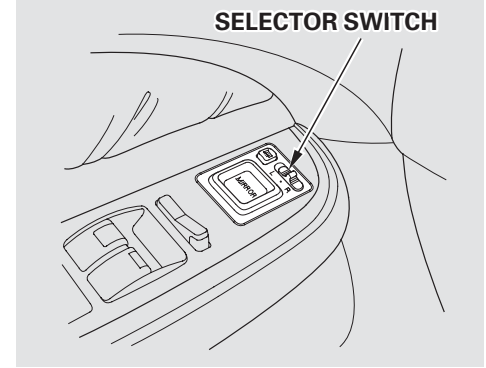
# Mirrors

Keep the inside and outside mirrors clean and adjusted for best visibility. Be sure to adjust the mirrors before you start driving.



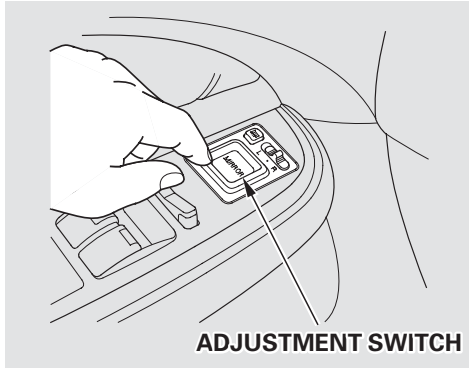
The inside mirror can automatically darken to reduce glare. To turn on this feature, press the button on the bottom of the mirror. The AUTO indicator comes on as a reminder. When it is on, the mirror darkens when it senses the headlights of a vehicle behind you, then returns to normal visibility when the lights are gone. Press the button again to turn off this sensing.

## *Adjusting the Power Mirrors*



Adjust the outside mirrors with the adjustment switch on the driver's door armrest:

1. Turn the ignition switch ON (II).
2. Move the selector switch to L (driver's side) or R (passenger's side).

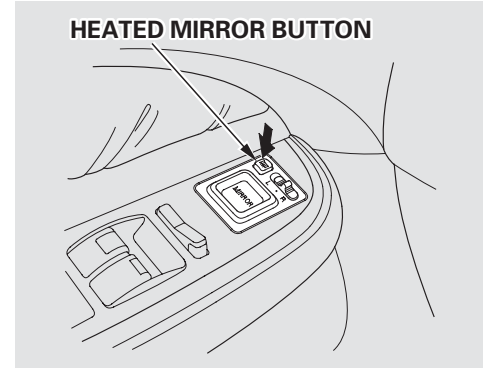


3. Push the appropriate edge of the adjustment switch to move the mirror right, left, up, or down.

4. When you finish, move the selector switch to the center (off) position. This turns off the adjustment switch so you can't move a mirror out of position by accidentally bumping the switch.

With the selector switch in the center (off) position, the passenger's side mirror will pivot downward slightly when you shift the transmission into reverse. This will give you a better view of that side of the vehicle while parallel parking. The mirror returns to its original position when you take the transmission out of reverse.

Outside mirror positions can be stored in the driving position memory system (see page 96 ).



The outside mirrors are heated to remove fog and frost. With the ignition switch ON (II), turn on the heaters by pressing the button. The light in the button comes on as a reminder. Press the button again to turn the heaters off.

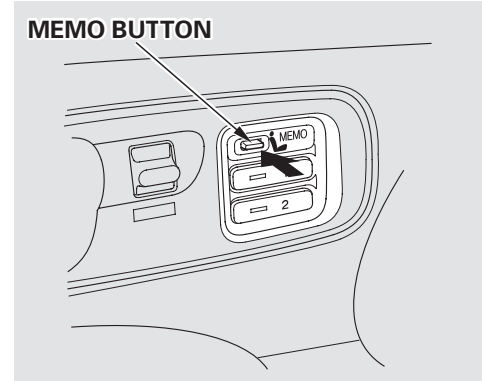
## Driving Position Memory System

Your Acura has a memory feature for the driver's seat and outside mirror positions.

Two seat and outside mirror positions, for different drivers or driving conditions, can be stored in separate memories. You select a memorized position by pushing the appropriate button or using the appropriate remote transmitter (Memory 1 or Memory 2).

***Storing a Driving Position in Memory***  
Store a driving position as explained in this section only when the car is parked.

1. Turn the ignition switch ON (II). You cannot add a new driving position in the memory unless the ignition switch is ON (II). You can recall a memorized position with the ignition switch in any position.
2. Adjust the seat to a comfortable position (see page 88 ). Adjust the outside mirrors for best visibility (see page 94 ).



3. Press and release the MEMO button on the control panel. You will hear a beep. Immediately press and hold one of the memory buttons (1 or 2) until you hear two beeps. The indicator light in the memory button will come on. The current positions of the driver's seat and outside mirrors are now stored.

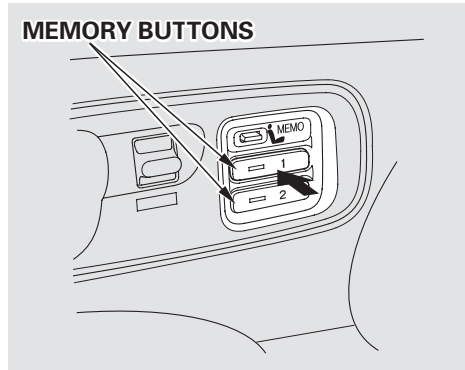
Doing any of the following after pressing the MEMO button will cancel the storing procedure.

- Not pressing a memory button within 5 seconds.
- Readjusting the seat position.
- Readjusting the outside mirror position.

Each memory button stores only one driving position. Storing a new position erases the previous setting stored in that button's memory. If you want to add a new position while retaining the current one, use the other memory button.

All stored driving positions will be lost if your car's battery goes dead or is disconnected.

## *Selecting a Memorized Position*



You can select memorized positions as follows.

1. Make sure the parking brake is set and the shift lever is in Park.
2. Press the desired memory button (1 or 2) until you hear a beep, then release the button.

The system will move the seat and outside mirrors to the memorized positions. The indicator light in the selected memory button will flash during movement. When the adjustments are complete, you will hear two beeps and the indicator light will remain on.

*CONTINUED*

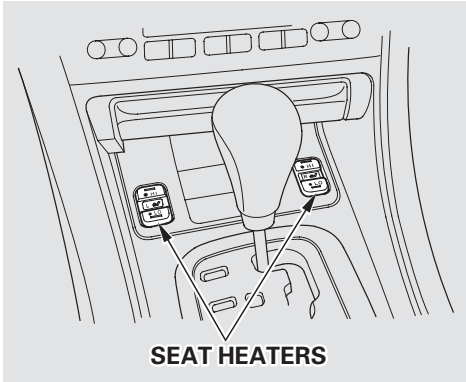
## Driving Position Memory System

---

To stop the system's automatic adjustment;

- Press any button on the control panel: MEMO, 1 or 2.
- Push any of the adjustment switches for the seat.
- Shift out of Park.
- Adjust the outside mirrors.

If desired, you can use the adjustment switches to change the positions of the seat or outside mirrors after they are in their memorized position. If you change the memorized position, the indicator light in the memory button will go out. To keep this driving position for later use, you must store it in the driving position memory.



Both front seats are equipped with seat heaters. The ignition switch must be ON (II) to use them. Push the front of the switch, HI, to rapidly heat up the seat. After the seat reaches a comfortable temperature, select LO by pushing the back of the switch. This will keep the seat warm.

The HI or LO indicator lights and remains lit until you turn it off by pushing the opposite side of the switch lightly. The indicator will turn off.

In HI, the heater turns off when the seat gets warm, and turns back on after the seat's temperature drops. It continues to cycle as long as you leave it set on HI. The HI indicator remains lit as a reminder that you have the heater on.

In LO, the heater runs continuously. It does not cycle with temperature changes.

Follow these precautions whenever you use the seat heaters:

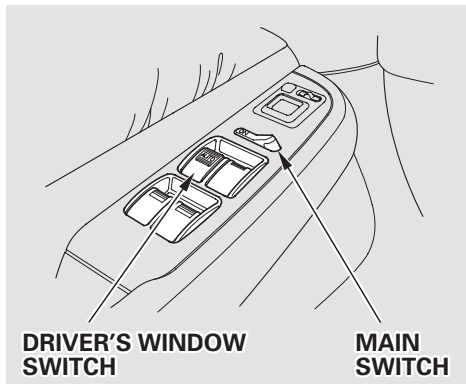
- Use the HI setting only to heat the seats quickly. Select the LO setting when the seats feel warm. The HI setting draws large amounts of current from the battery.
- Do not use the seat heaters, even on the LO setting, if the engine is left idling for an extended period. They can weaken the battery, causing hard starting.

Because of the sensors for the side airbag system, there is no heater in the passenger's seat-back.

## Power Windows

Your car's windows are electrically-powered. Turn the ignition switch to ON (II) to raise or lower any window.

Each door has a switch that controls its window. To open the window, push the switch down and hold it. Release the switch when you want the window to stop. Close the window by pulling back on the switch and holding it.



The driver's door armrest has a master power window control panel. To open any of the passengers' windows, push down on the appropriate switch and hold it down until the window reaches the desired position. To close the window, pull back on the window switch. Release the switch when the window gets to the position you want.

### **⚠ WARNING**

Closing a power window on someone's hands or fingers can cause serious injury.

Make sure your passengers are away from the windows before closing them.

The master control panel also contains these extra features:

**AUTO** — To open the driver's window fully, push the window switch firmly down, then release it. The window automatically goes down all the way. To stop the window from going all the way down, pull back on the window switch briefly.

To close the driver's window fully, pull back the window switch firmly, then release it. The window automatically goes all the way up. To stop the window from going all the way up, push down on the window switch briefly.

To open or close the driver's window partially, push down or pull back on the window switch lightly and hold it. The window will stop when you release the switch.

### **Auto Reverse**

If the driver's window runs into any obstacle while it is closing automatically, it will stop, and then reverse direction. To close the window, remove the obstacle, then use the window switch again.

Auto reverse stops sensing when the window is almost closed. You should always check that all passengers and objects are away from the window before closing it.

The MAIN switch controls power to the passengers' windows. With this switch off, the passengers' windows cannot be raised or lowered. The MAIN switch does not affect the driver's window. Keep the MAIN switch off when you have children in the car so they do not injure themselves by operating the windows unintentionally. The lights inside the switches come on when you turn the parking lights or headlights on.

*CONTINUED*



## Power Windows

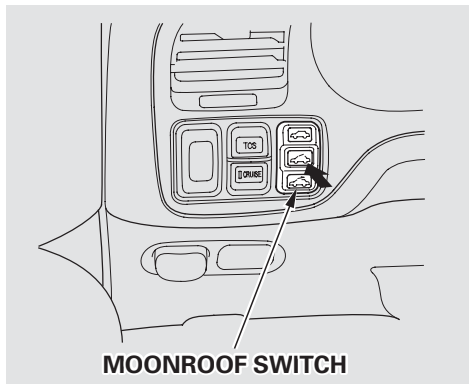
---

If your car's battery is disconnected or goes dead, or the driver's window fuse is removed, the AUTO function will be disabled. The power window system needs to be reset after reconnecting the battery or installing the fuse. You should do the following.




1. Start the engine. Push down on the driver's window switch until the window is fully open.
2. Pull back on the driver's window switch to close the window completely, then hold the switch for a second or two more.

If the power windows do not operate properly after resetting, have your car checked by an Acura dealer.

The power window system has a key-off delay function. The windows will still operate for up to ten minutes after you turn off the ignition. Opening either front door cancels the delay function. You must turn the ignition switch ON (II) again before you can raise or lower the windows.



The moonroof has two positions: it can be tilted up in the back for ventilation, or it can be slid back into the roof. Use the switch under the left dashboard vent to operate the moonroof. The ignition switch must be ON (II).

To tilt up the back of the moonroof, press and hold the center button (  ). To close the moonroof, press and hold the top of the switch (  ). To open the moonroof, press and hold the bottom of the switch (  ). Release the switch when the moonroof gets to the desired position. Make sure everyone's hands are away from the moonroof before opening or closing it.

## **▲ WARNING**

Closing the moonroof on someone's hands or fingers can cause serious injury.

Make sure all hands and fingers are clear of the moonroof before closing it.

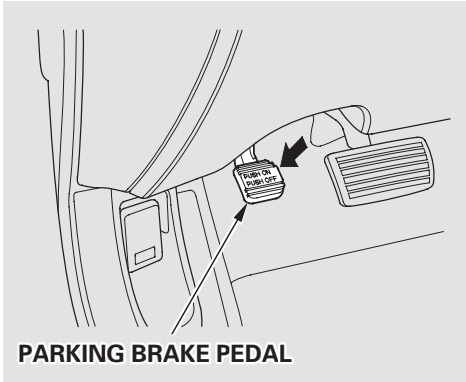
The moonroof has a key-off delay. You can still open and close the moonroof for up to ten minutes after you turn off the ignition. The key-off delay cancels as soon as you open either front door. You must then turn the ignition ON (II) for the moonroof to operate.

## **NOTICE**

*If you try to open the moonroof in below-freezing temperatures, or when it is covered with snow or ice, you can damage the moonroof panel or motor.*

# Parking Brake

---



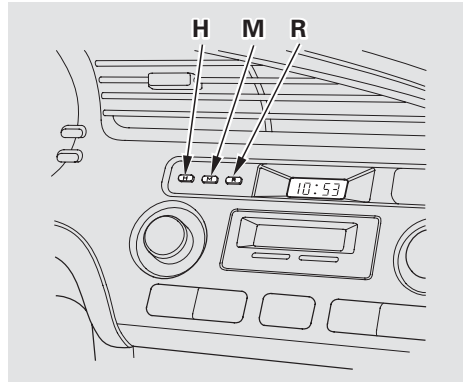
## NOTICE

*Driving the car with the parking brake applied can damage the rear brakes and axles.*

To apply the parking brake, push the parking brake pedal down with your foot. To release the parking brake, push on the pedal again. The parking brake light on the instrument panel should go out when the parking brake is fully released with the engine running. (see page [59](#).)

### *Cars without Navigation System*

The digital clock displays the time with the ignition switch in any position.



To set the clock:

1. Press and hold the H button until the hour advances to the desired time.
2. Press and hold the M button until the numbers advance to the desired time.

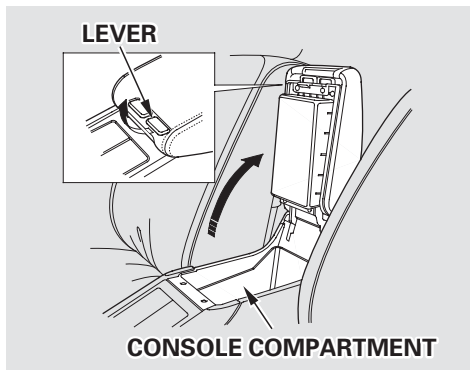
You can use R to quickly set the time to the nearest hour. If the displayed time is before the half hour, pressing R sets the clock back to the previous hour. If the displayed time is after the half hour, pressing R sets the clock forward to the beginning of the next hour.

For example:

- 1:06 would RESET to 1:00.
- 1:52 would RESET to 2:00.

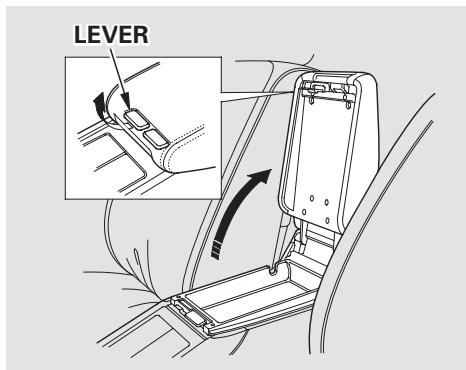
# Console Compartment, Coin Box

## Console Compartment



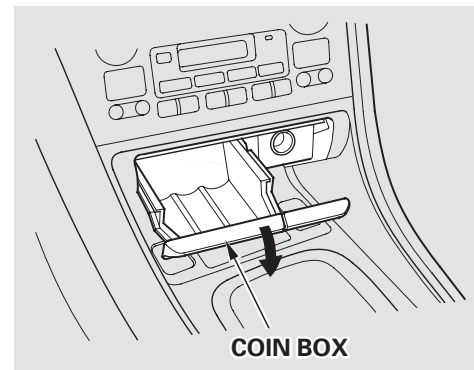
To open the console compartment, pull up on the left lever and lift the lid.

To close, lower the lid and push it down until it latches.



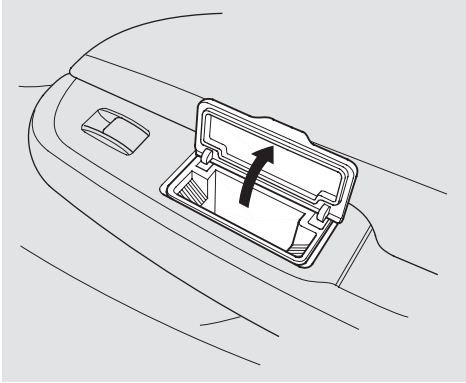
You can put small items in the tray located in the console compartment lid. To use the tray, pull up on the right lever and lift up the armrest pad.

## Coin Box

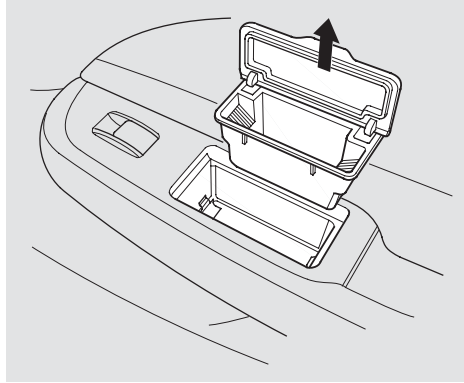


The coin box is located under the audio system. To open the coin box, pull the bottom edge. Close it with a firm push.

## Armrest Storage Compartments



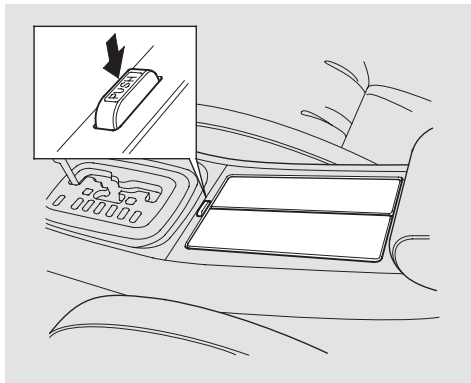
Small, lidded storage compartments are located in the armrest of the front passenger's door, and in the armrests of both rear doors. To open a compartment, pivot the lid up.



To remove a storage compartment for emptying, open the lid, then carefully pull the compartment straight up and out of the armrest.

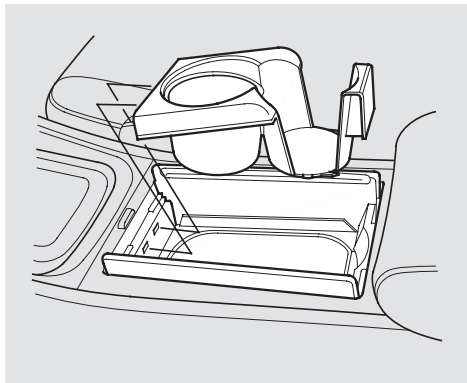
These storage compartments can also be used as ashtrays. Make sure you remove any flammable materials from the compartment before using it as an ashtray.

## Beverage Holder

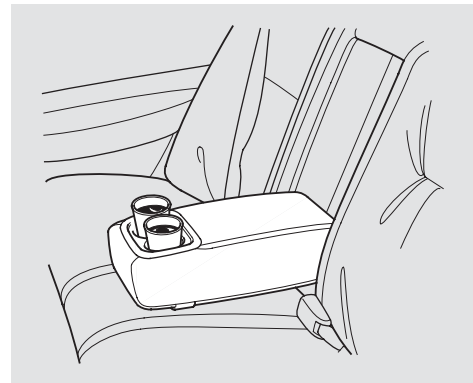


To open the beverage holder, push on the button. The beverage holder lid is spring-loaded and will swing open. To close it, push either half of the lid closed.

Be careful when you are using the beverage holder. A spilled liquid that is very hot can scald you or your passengers. Spilled liquids can also damage the upholstery, carpeting, and electrical components in the interior.

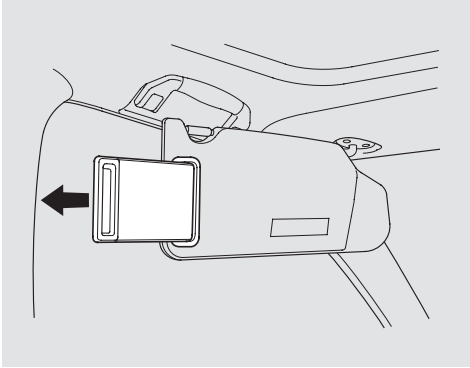


The beverage holder can be removed. To remove it, lift up the front of the holder by holding it at the middle. To reinstall it, put in the back of the holder, align the front tabs in the slots and push down the front of the holder.



The rear seat also has a beverage holder. To use it, pivot the armrest down.

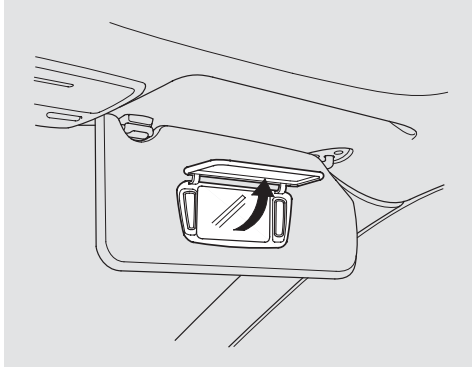
## Sun Visor



To use the sun visor, pull it down. You can also use the sun visor at the side window. Remove the support rod from the clip and swing the sun visor toward the side window. In this position, the sun visor can be extended by sliding out the extension.

Make sure you put the sun visor back in place when you are getting into or out of the car. Do not use the sun visor extension over the rear view mirror.

## Vanity Mirror



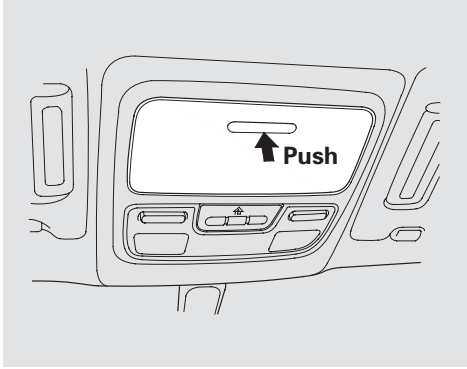
To use a vanity mirror on the back of the sun visor, pull up the cover.

The light beside the mirror comes on only when the headlight switch is in one of the on positions.

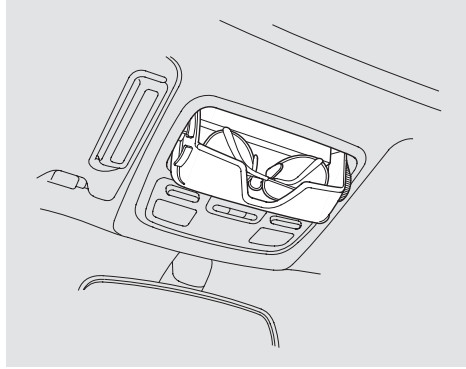


## Sunglasses Holder, Accessory Power Sockets

### Sunglasses Holder



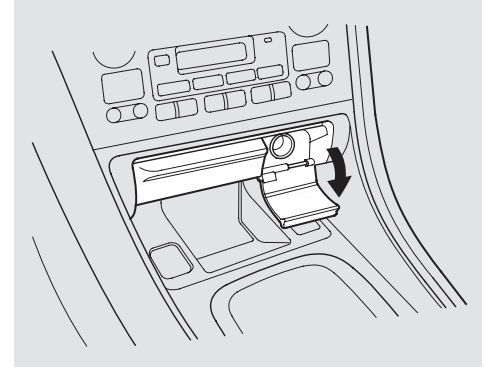
To open the sunglasses holder, push on the front edge. It will unlatch and swing down. To close it, push it until it latches. Make sure the holder is closed while you are driving.



Some larger styles of sunglasses may not fit in the holder.

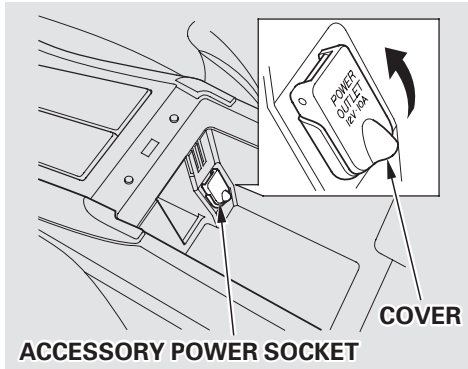
You may also store small items in this holder. Make sure they are small enough to let the holder close and latch, and that they are not heavy enough to cause the holder to pop open while driving.

### Accessory Power Sockets



Your car has two accessory power sockets. One is located on the front panel next to the coin box, and the other is in the console compartment. To use an accessory power socket, the ignition switch must be in ACCESSORY (I) or ON (II).

To open the socket on the front panel, pull the cover down.

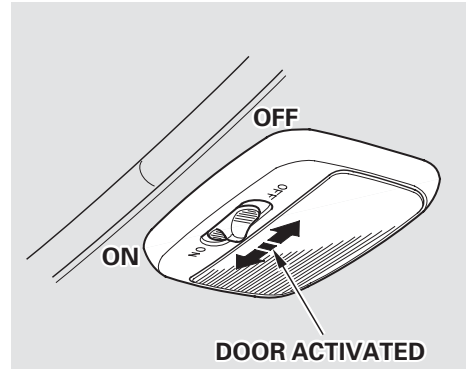


To use the socket in the console compartment, pull the cover up.

These sockets are intended to supply power for 12 volt DC accessories that are rated 120 watts or less (10 amps).

They will not power an automotive type cigarette lighter element.

### Ceiling Light

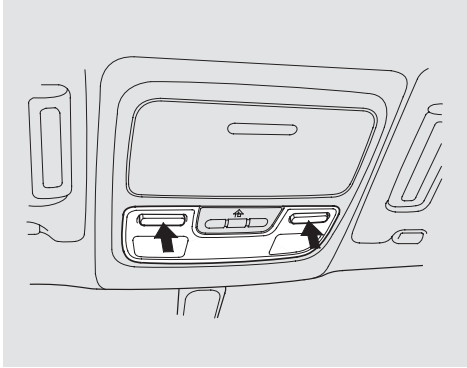


The ceiling light has a three-position switch. In the OFF position, the light does not come on. In the center position, the ceiling light comes on when you open any door. The light fades out after all doors are closed. In the ON position, the ceiling light stays on continuously.

The ceiling light (with the switch in the center position) also comes on when you unlock the door with the remote transmitter (see page 81).

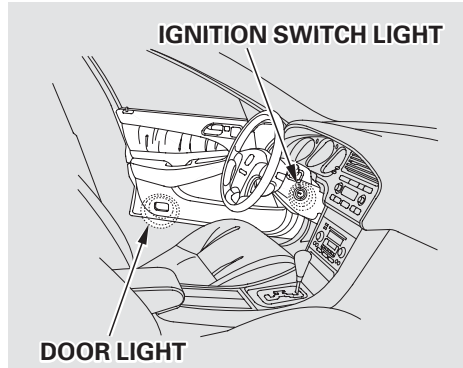
# Interior Lights, Storage Tray

## Spotlights



Turn on the spotlight by pushing the button next to each light. Push the button again to turn it off. You can use the spotlights at all times.

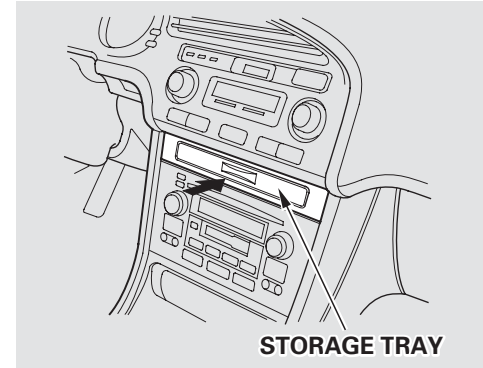
## Courtesy Lights



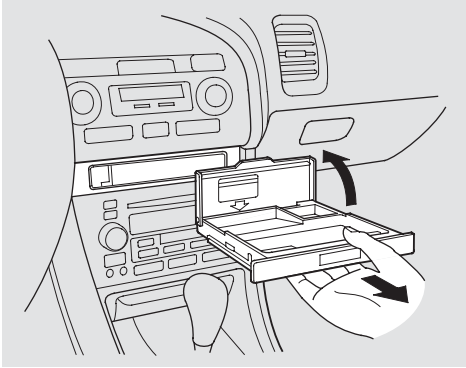
The courtesy light in each front door comes on when the door is opened, and goes out when the door is closed.

Your car also has a courtesy light in the ignition switch. This light comes on when you open the driver's door. It remains on for several seconds after the door is closed.

## Storage Tray



*Cars without Navigation System*  
The storage tray is located above the audio system. Push on the center of the tray to get it to pop out. Then remove it by pulling it straight out.



You can put a writing pad, pen, and small items in the inner box in the storage tray. Lift the lid to use the tray.

To reinstall the storage tray into the dashboard, close the lid, then push the storage tray in until it latches.



## Comfort and Convenience Features

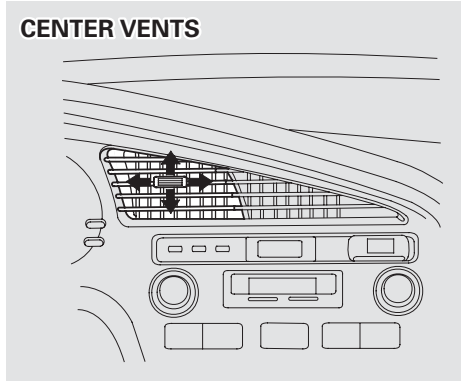
---

Climate Control System.....	116	Security System .....	152
<i>3.2 TL without Navigation System</i>		Cruise Control.....	153
Fully-automatic Operation .....	118	Homelink Universal	
Semi-automatic Operation .....	119	Transceiver.....	157
<i>3.2 TL with Navigation System</i>			
Fully-automatic Operation .....	123		
Semi-automatic Operation .....	124		
Sunlight Sensor/			
Temperature Sensor .....	128		
Audio System .....	129		
Operating the Radio .....	130		
Adjusting the Sound.....	134		
Audio System Lighting .....	135		
Radio Frequencies.....	135		
Radio Reception.....	135		
Operating the Cassette			
Player .....	137		
Tape Search Functions .....	138		
Caring for the Cassette			
Player .....	141		
Operating the CD Changer .....	142		
Protecting Compact Discs.....	148		
CD Changer Error			
Indications .....	149		
Remote Audio Controls .....	150		
Theft Protection .....	151		

# Climate Control System

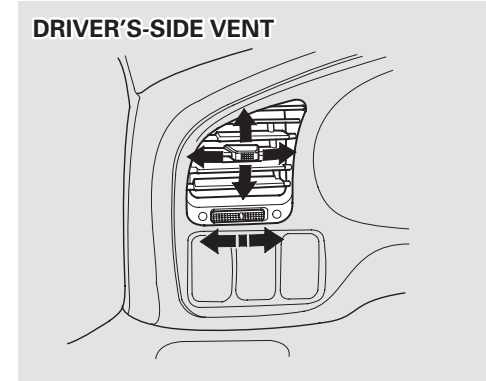
The automatic climate control system in your Acura picks the proper combination of air conditioning, heating, and ventilation to maintain the interior temperature you select. The system also adjusts the fan speed and air flow levels.

The direction of air flow from the vents in the center and each side of the dashboard, and in back of the center console is adjustable.



To adjust the air flow from each vent, move the tab in the center of each vent up-and-down and side-to-side.

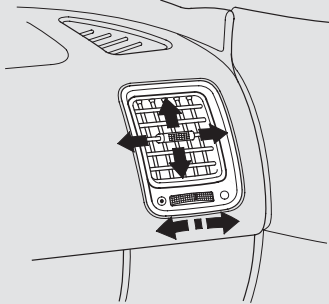
The side and rear vents can be opened and closed with the dials.



The climate control system draws air through the exterior vents at the bottom of the windshield. Keep these vents clear of leaves and other debris.

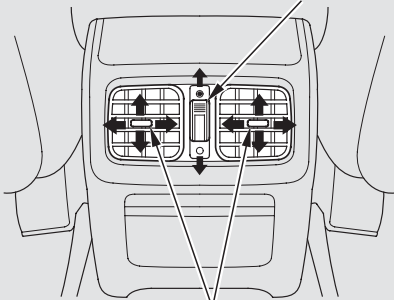
For the climate control system to provide heating and cooling, the engine must be running.

PASSENGER'S-SIDE VENT

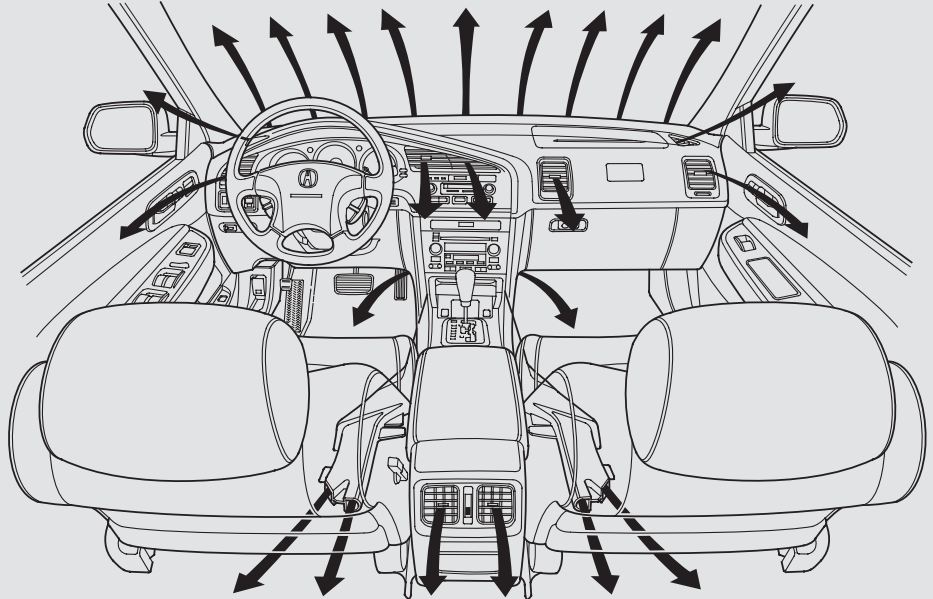


REAR VENTS

DIAL



TABS






# Climate Control System

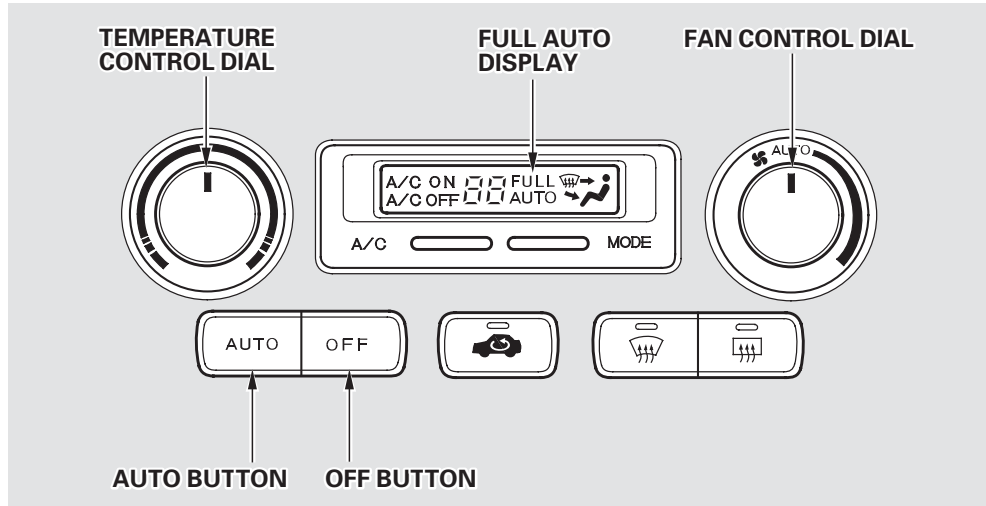
## 3.2 TL without Navigation System Fully-automatic Operation

To put the Automatic Climate Control in fully-automatic mode, press the AUTO button and set the fan control dial to AUTO, then set the desired temperature by turning the temperature control dial. You will see FULL AUTO in the system's display. The light in the

 button also shows you which mode, Recirculation or Fresh Air, is selected.

The system automatically selects the proper mix of conditioned and/or heated air that will, as quickly as possible, raise or lower the interior temperature from its current level to the set temperature.

When you set the temperature to its lower limit (60°F/18°C) or its upper limit (90°F/32°C), the system runs at full cooling or heating only. It does not regulate the interior temperature.



When the temperature is set between the lower and upper limits, the system regulates the interior temperature to the set value.

Pressing the OFF button shuts the climate control system completely off. Keep the system completely off only for short periods. To keep stale air and mustiness from collecting, you should have the fan running at all times.

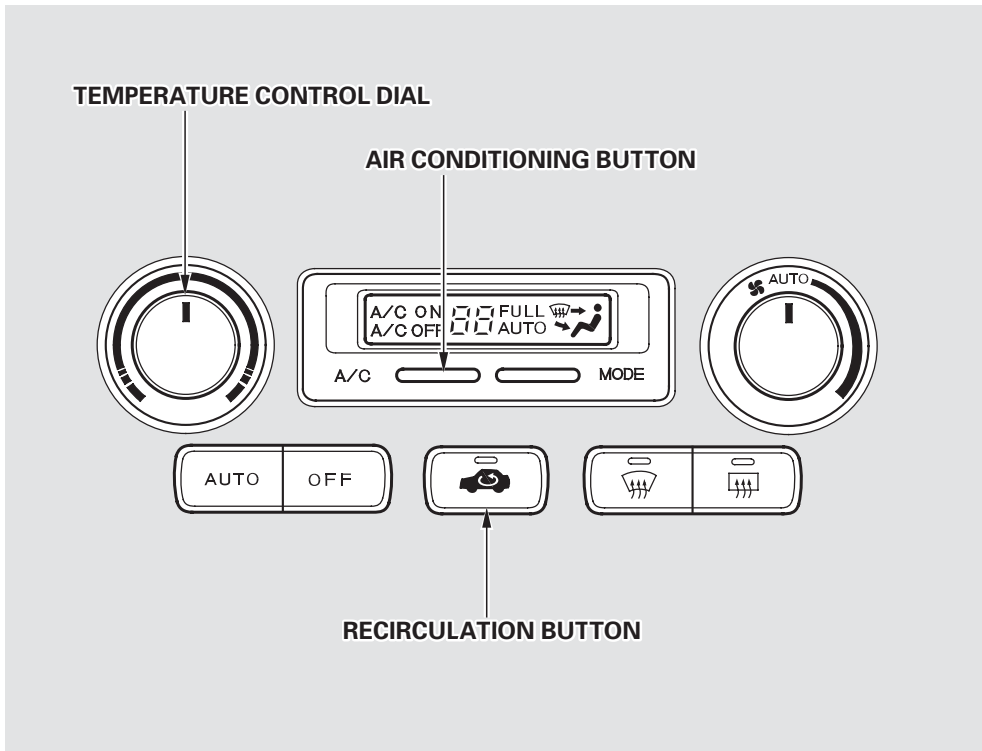
## Semi-automatic Operation

You can manually select various functions of the Climate Control system when it is in FULL AUTO. All other features remain automatically controlled. Making any manual selection causes the word FULL to go out.

### *Air Conditioning (A/C) Button*

Press the A/C button to turn the air conditioning on and off. You will see A/C ON or A/C OFF in the display.

When you turn the A/C off, the system cannot regulate the inside temperature if you set the dial below the outside temperature. With the A/C on, use the temperature control dial to adjust the temperature of the air flow to a comfortable setting.



CONTINUED

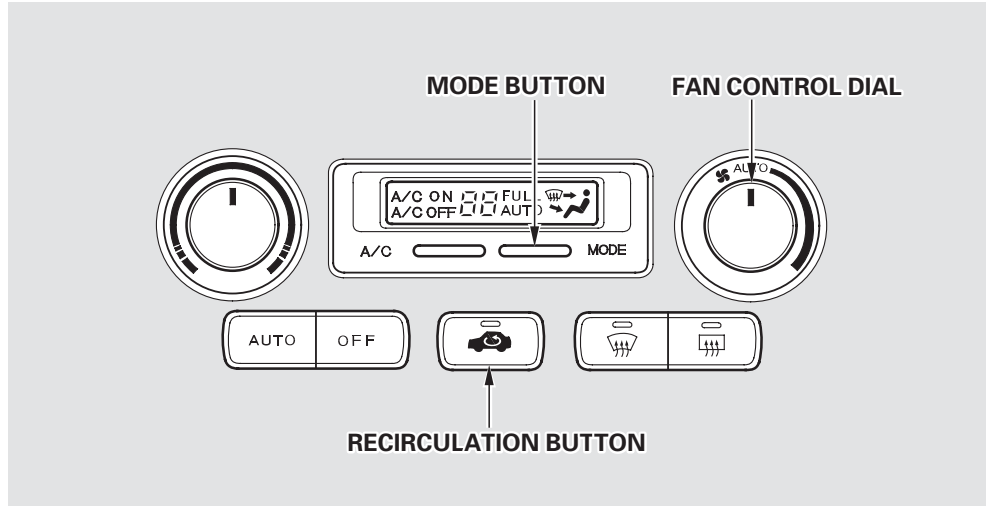
# Climate Control System

## ***Recirculation Button***

This button controls the source of the air going into the system. When the indicator in this button is lit, air from the car's interior is sent through the system again (Recirculation mode). When the indicator is off, air is brought in from outside the car (Fresh Air mode). You can, for example, manually put the system in recirculation mode when driving through an area of smoke or fumes.


## ***Fan Control Dial***

You can manually select the fan speed by turning the fan control dial. When you turn the dial clockwise, the fan is taken out of automatic mode and starts to run at its lowest speed. Turning the dial fully clockwise increases the fan's speed, which increases air flow.




## ***Mode Button***

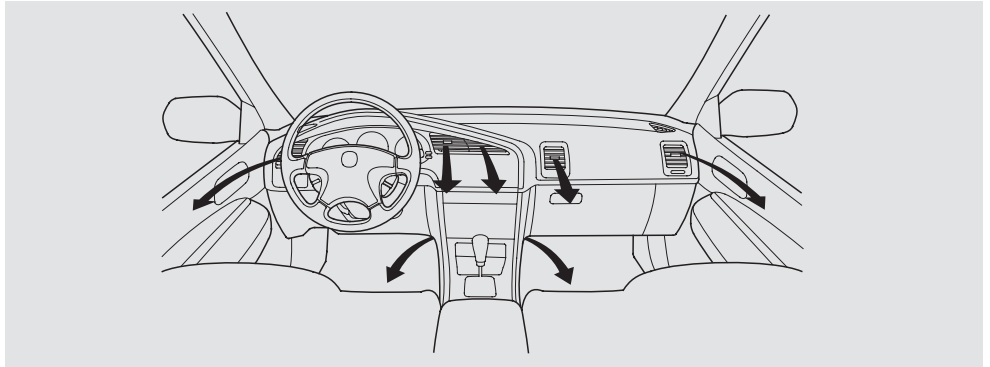
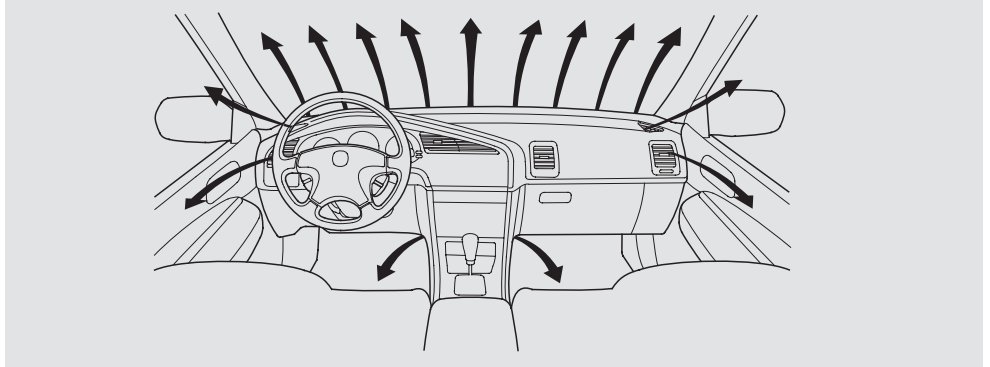
Use the MODE button to select the vents the air flows from. Some air will flow from the side vents and the dashboard corner vents in all modes. Each time you press the MODE button, the display shows the mode selected. Press the button four times to see all the modes.

 The main air flow is divided between the floor vents and defroster vents at the base of the windshield.

 The main air flow comes from the floor vents.


 The main air flow is divided between the dashboard vents and the floor vents.


 The main air flow comes from the dashboard vents.




*CONTINUED*

# Climate Control System

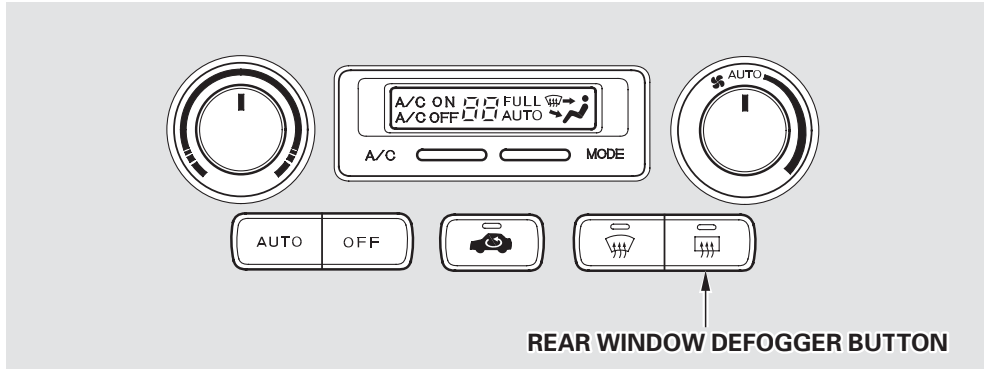
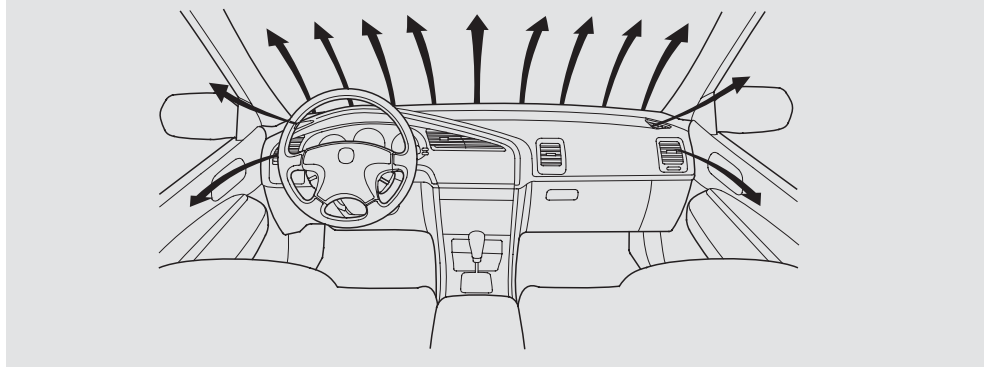
The  button directs the main air flow to the windshield for faster defrosting. It also overrides any MODE selection you may have made.

When you select , the A/C turns on automatically and the system selects Fresh Air mode. If the fan control dial is in AUTO, the fan speed increases automatically. If it is not in AUTO, manually increase the fan speed or set the dial to AUTO. You can increase air flow to the windshield by closing the side vents in the dashboard.


When you turn off  by pressing the button again, the system returns to its former settings.

### ***Rear Window Defogger Button***

This button turns the rear window defogger on and off (see page [74](#)).

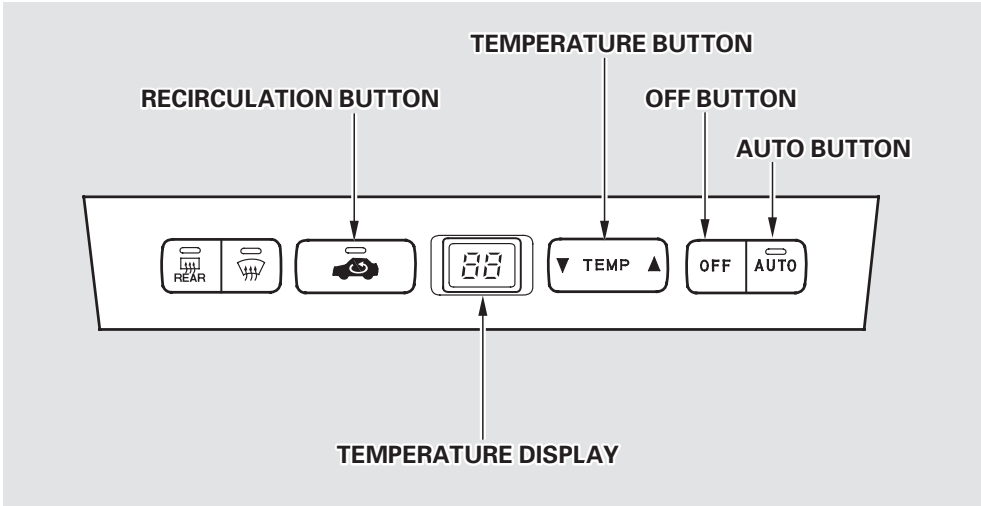


### 3.2 TL with Navigation System Fully-automatic Operation

To put the Automatic Climate Control in fully-automatic mode, press the AUTO button. The indicator in the button will light. Then set the desired temperature by pressing either side of the TEMP button: ▲ to raise the temperature above the displayed value, or ▼ to lower the temperature. The light in the  button also shows you which mode, Recirculation or Fresh Air, is selected.

The system automatically selects the proper mix of conditioned and/or heated air that will, as quickly as possible, raise or lower the interior temperature from its current level to the set temperature.

When you set the temperature to its lower limit (60°F/18°C) or its upper limit (90°F/32°C), the system runs at full cooling or heating only. It does



not regulate the interior temperature. When the temperature is set between the lower and upper limits, the system regulates the interior temperature to the set value.

Pressing the OFF button shuts the climate control system completely off. Keep the system completely off only for short periods. To keep stale air and mustiness from collecting, you should have the fan running at all times.

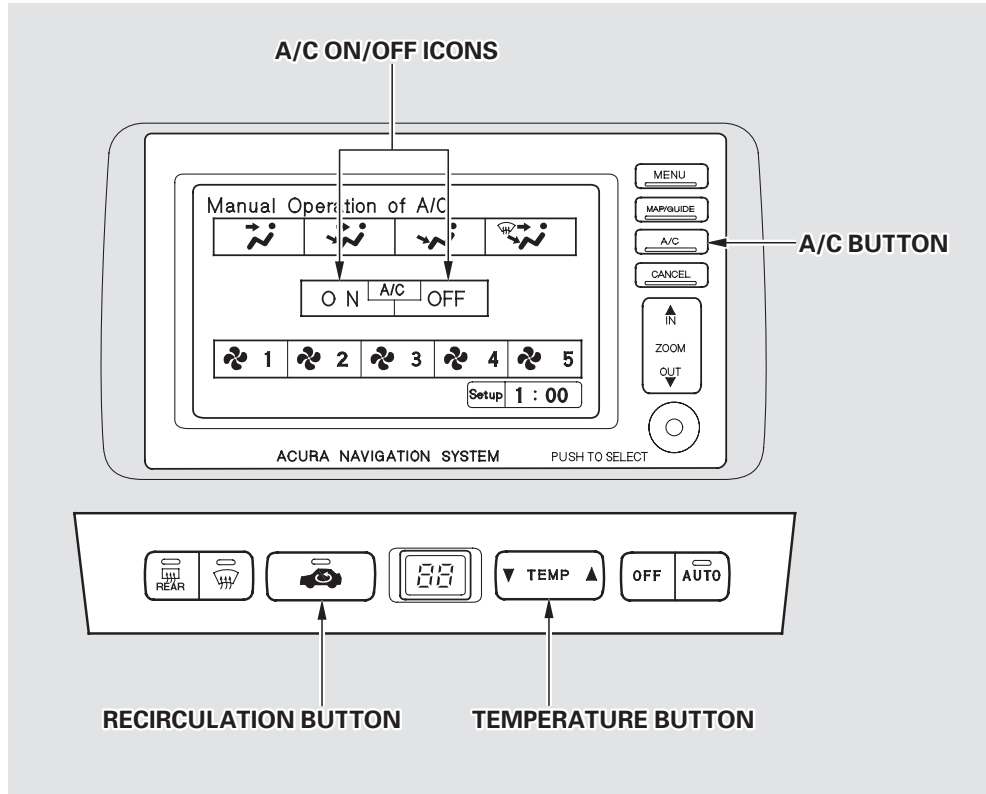
# Climate Control System

## Semi-automatic Operation

You can manually select various functions of the Climate Control system when it is in FULL AUTO. All other features remain automatically controlled. Some of these functions appear in the Navigation System display. Press the A/C button next to the display to show these functions. Making any manual selection causes the indicator in the AUTO button to go out.

## A/C (Air Conditioning) On/Off Icons

Pressing “ON” or “OFF” in the display turns the air conditioning on and off. You will see A/C ON or A/C OFF activated in the display.



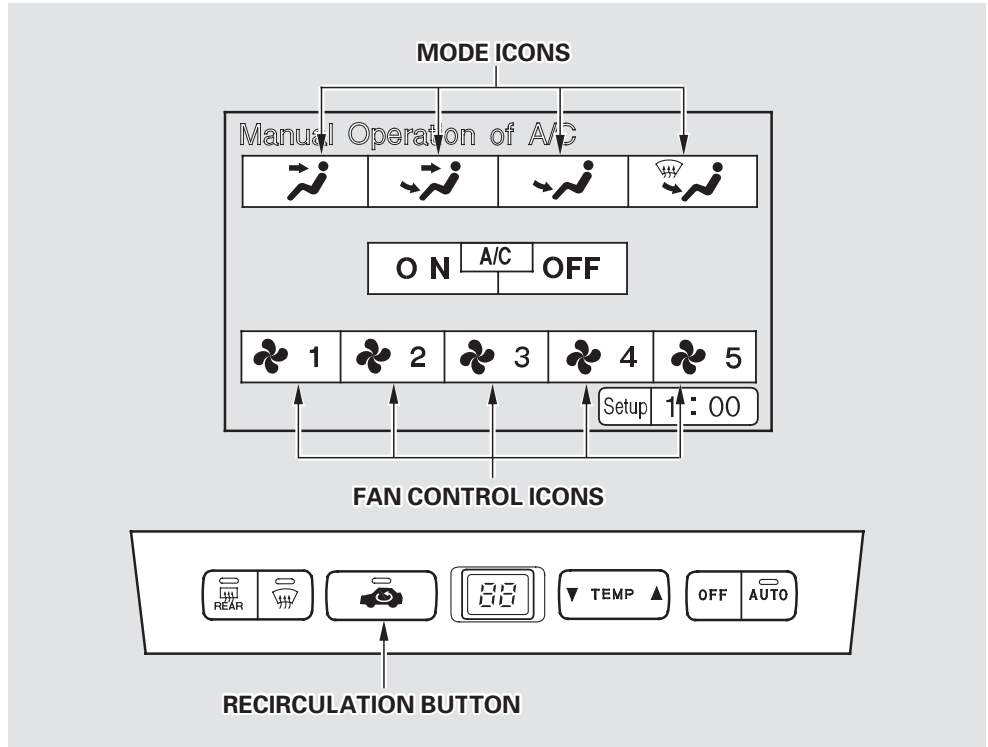
When you turn the A/C off, the system cannot regulate the inside temperature if you set it below the outside temperature. With the A/C on, use the temperature buttons to adjust the temperature of the air flow to a comfortable setting.

### ***Recirculation Button***

This button controls the source of the air going into the system. When the indicator in this button is lit, air from the car's interior is sent through the system again (Recirculation mode). When the indicator is off, air is brought in from outside the car (Fresh Air mode). You can, for example, manually put the system in recirculation mode when driving through an area of smoke or fumes.

### ***Fan Control Icons***

You can manually select the fan speed by pressing any of the fan control icons.



CONTINUED




# Climate Control System

## *Mode Icons*

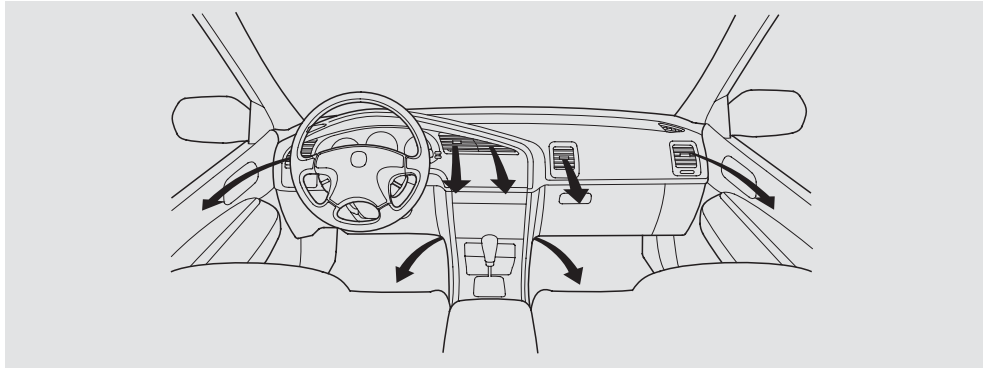
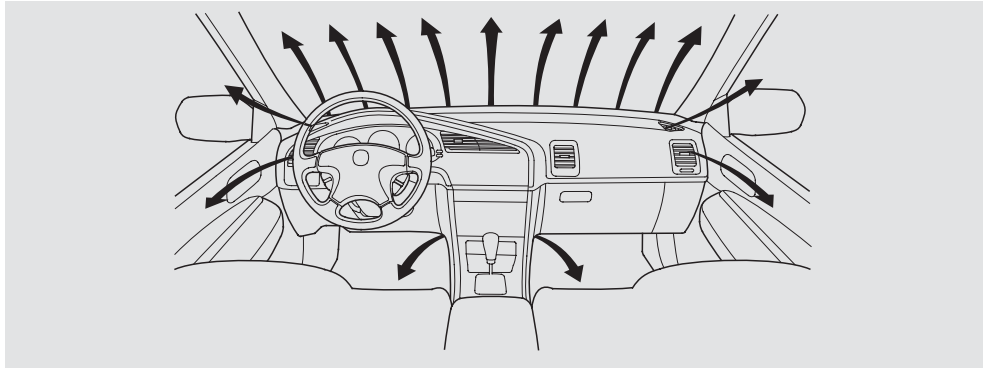
Use the MODE icons to select the vents the air flows from. Some air will flow from the dashboard corner vents and the side vents in all modes.


 The main air flow is divided between the floor vents and defroster vents at the base of the windshield.


 The main air flow comes from the floor vents.


 The main air flow is divided between the dashboard vents and the floor vents.

 The main air flow comes from the dashboard vents.



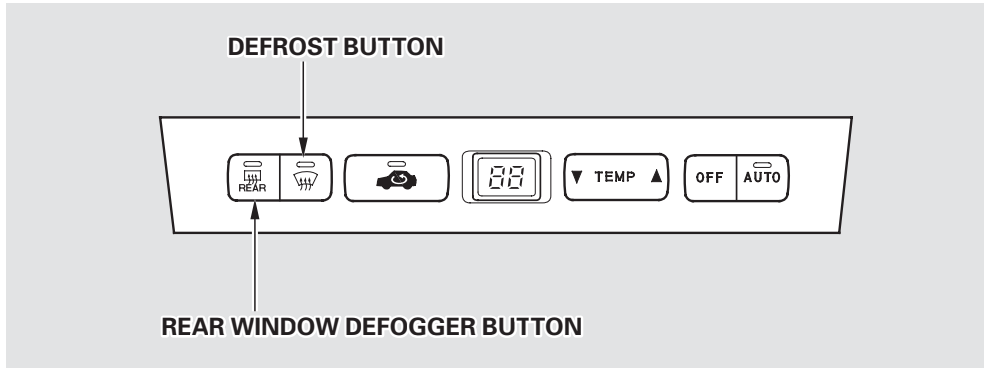
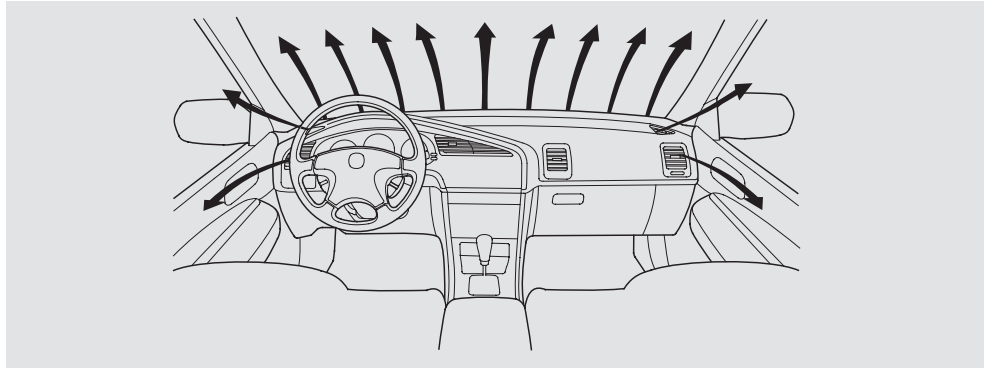
The  button directs the main air flow to the windshield for faster defrosting. It also overrides any MODE selection you may have made.

When you select , the A/C turns on automatically, the system selects Fresh Air mode, and the fan speed increases. You can increase air flow to the windshield by closing the side vents in the dashboard.

When you turn off  by pressing the button again, the system returns to its former settings.

### ***Rear Window Defogger Button***

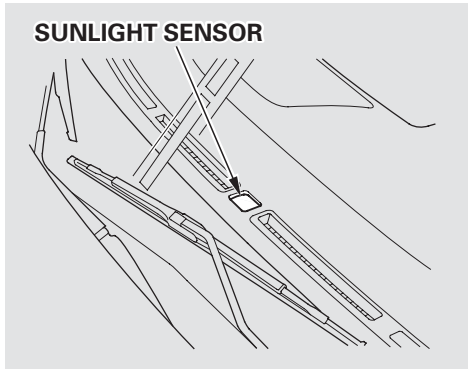
This button turns the rear window defogger on and off (see page [74](#)).



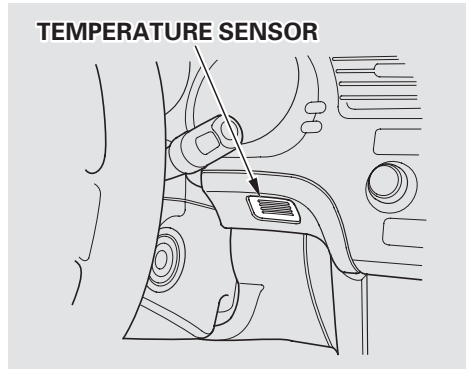
# Climate Control System

---

## Sunlight Sensor/Temperature Sensor




The climate control system has two sensors. A sunlight sensor is located in the top of the dashboard and a temperature sensor is next to the steering column. Do not cover the sensors or spill any liquid on them.



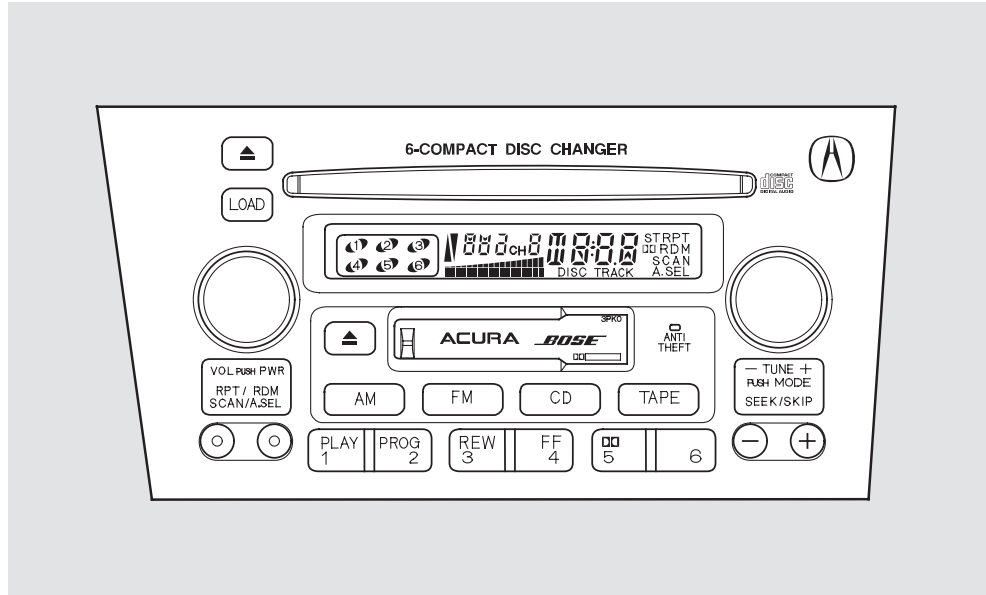
## AM/FM/Cassette/CD Changer Audio System

Your Acura's audio system provides clear reception on both AM and FM bands, while the preset buttons allow you to easily select your favorite stations.

The cassette system features Dolby\* noise reduction, automatic sensing of chromium-dioxide (CrO<sub>2</sub>) tape, and autoreverse for continuous play.

\* Dolby noise reduction manufactured under license from Dolby Laboratories Licensing Corporation. "DOLBY" and the double-D symbol  are trademarks of Dolby Laboratories Licensing Corporation.

The in-dash CD changer holds up to six discs. You operate the CD changer with the same controls used for the radio. See page [142](#) for CD changer operation.



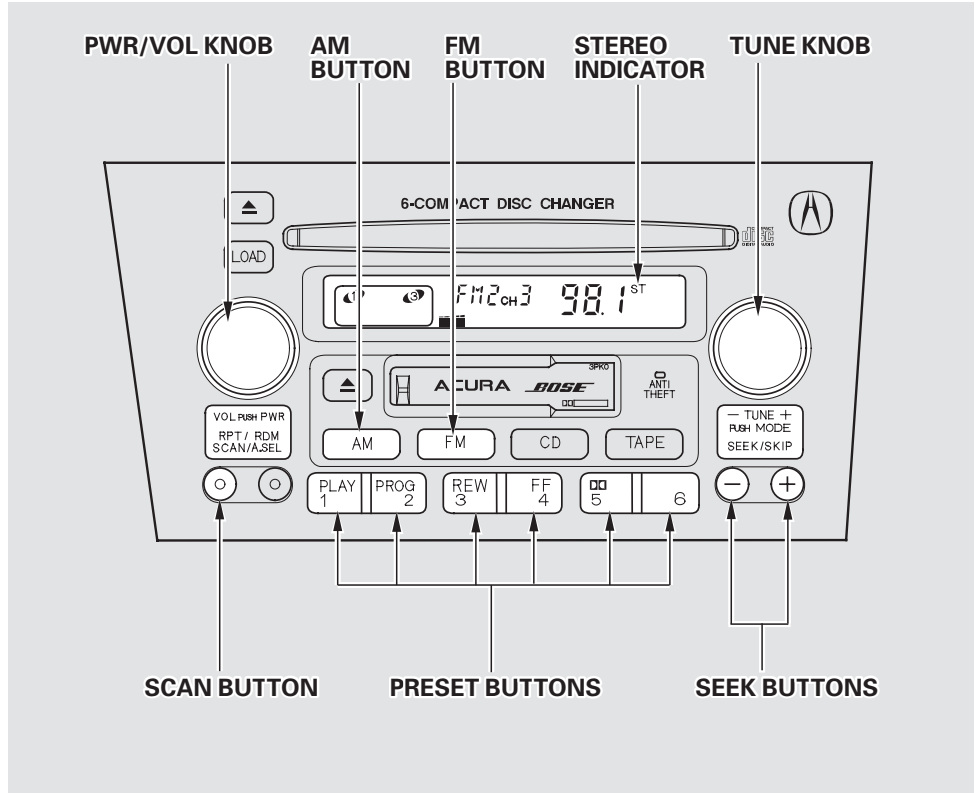
The anti-theft feature will disable the system if it is disconnected from the car's battery. To get the system working again, you must enter a code number (see page [151](#)).

# Audio System

## Operating the Radio

The ignition switch must be in ACCESSORY (I) or ON (II) to operate the audio system. Turn the system on by pressing the PWR/VOL knob or the AM or FM button. Adjust the volume by turning the knob.

The band and frequency that the radio was last tuned to is displayed. To change bands, press the AM or FM button. On the FM band, ST will be displayed if the station is broadcasting in stereo. Stereo reproduction on AM is not available.



You can use any of four methods to find radio stations on the selected band: TUNE, SEEK, SCAN or the Preset buttons.

**TUNE** — Use the TUNE knob to tune the radio to a desired frequency. Turn the TUNE knob to the right to tune to a higher frequency, or to the left to tune to a lower frequency. Turn the knob right or left until the display reaches the desired frequency.

**SEEK** — The SEEK function searches the band for a station with a strong signal. To activate it, press either SEEK button (⊖ or ⊕), then release it. Depending on which SEEK button you press, the system scans upward or downward from the current frequency. It stops when it finds a station with a strong signal.

**SCAN** — The SCAN function samples all the stations with strong signals on the selected band. To activate it, press the SCAN button, then release it. When the system is in the SCAN mode, SCAN shows in the display. The system will scan up the band for a station with a strong signal. When it finds one, it will stop and play that station for approximately five seconds. If you do nothing, the system will then scan for the next strong station and play that for five seconds. When it plays a station that you want to continue listening to, press the SCAN button again.

**Preset** — You can store the frequencies of your favorite radio stations in the six preset buttons. Each button will store one frequency on the AM band, and two frequencies on the FM band.

To store a frequency:

1. Select the desired band, AM or FM. FM1 and FM2 let you store two frequencies with each Preset button.
2. Use the TUNE or SEEK function to tune the radio to a desired station.
3. Pick the Preset button you want for that station. Press the button and hold it until you hear a beep.
4. Repeat steps 1 to 3 to store a total of six stations on AM and twelve on FM.

Once a station's frequency is stored, simply press and release the proper preset button to tune to it.

The preset frequencies will be lost if your car's battery goes dead, is disconnected, or the radio fuse is removed.

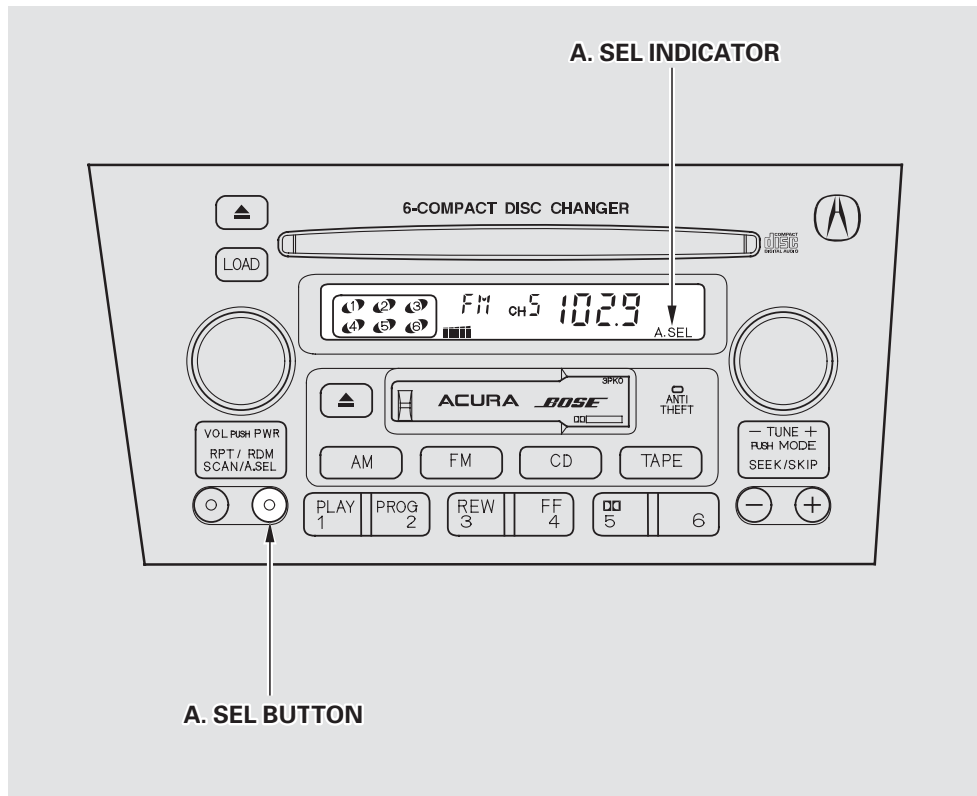
*CONTINUED*

## Audio System

**AUTO SELECT** – If you are traveling far from home and can no longer receive the stations you preset, you can use the Auto Select feature to find stations in the local area.

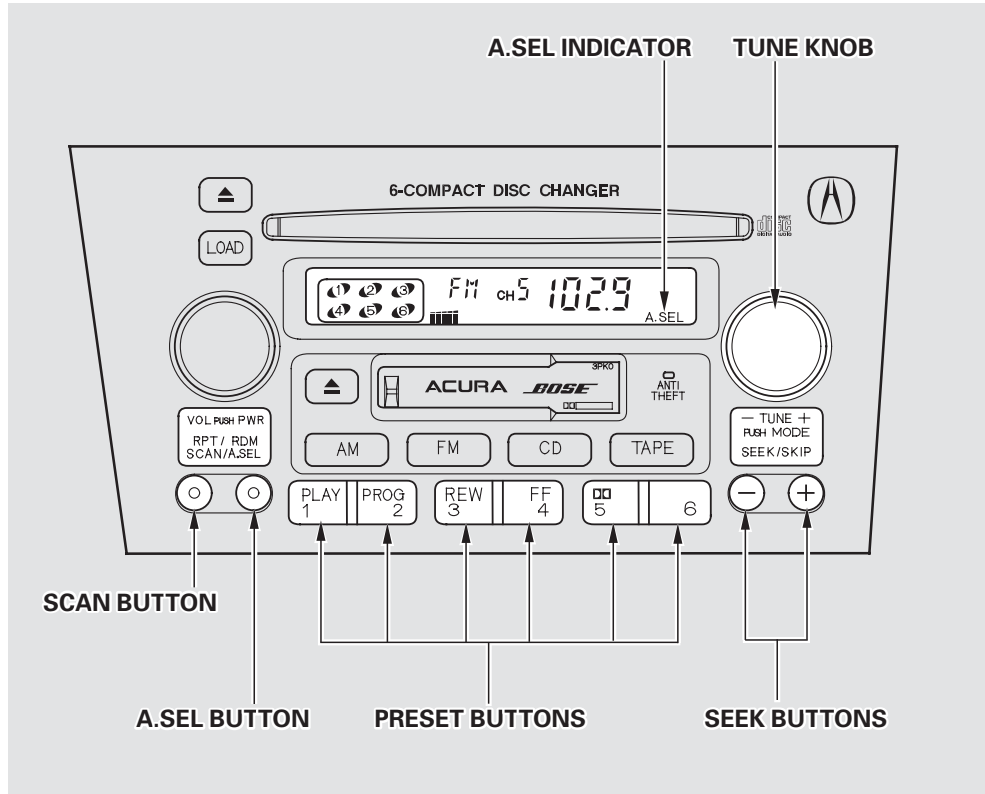
To activate Auto Select, press the A. SEL button. A. SEL will flash in the display, and the system will go into scan mode for several seconds. It automatically scans both bands, looking for stations with strong signals. It stores the frequencies of six AM stations and twelve FM stations in the preset buttons. You can then use the preset buttons to select those stations.

If you are in a remote area, Auto Select may not find six strong AM stations or twelve strong FM stations. If this happens, you will see a “0” displayed when you press any preset button that does not have a station stored.



If you do not like the stations Auto Select has stored, you can store other frequencies in the preset buttons. Use the TUNE, SEEK, or SCAN function to find the desired frequencies, then store them in the selected preset buttons as described previously.

Auto Select does not erase the frequencies that you preset previously. When you return home, turn off Auto Select by pressing the A. SEL button. The preset buttons will then select the frequencies you originally set.





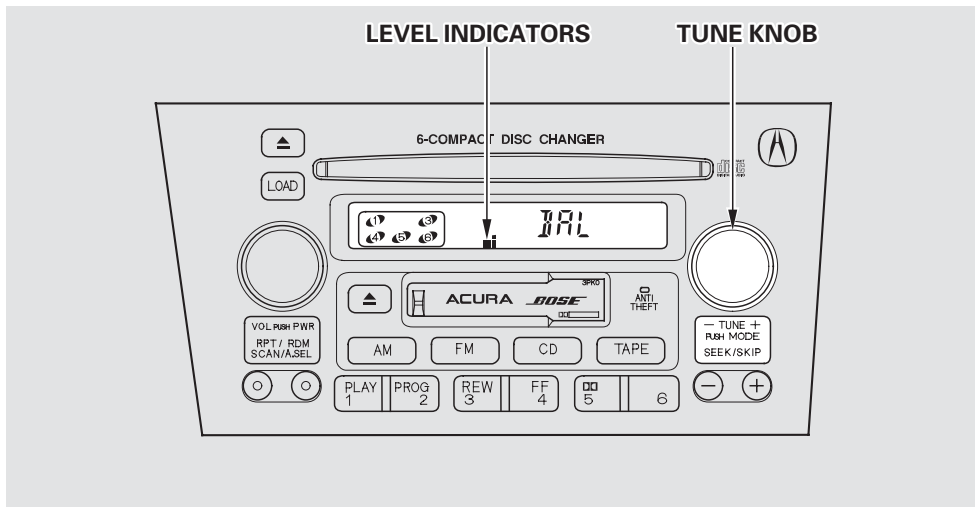
# Audio System

## Adjusting the Sound

Bass, Treble, Balance, and Fader are each adjustable. You select which of these you want to adjust by pressing the TUNE knob. The mode changes from BAS to TRE to FAD to BAL, and then back to the selected audio mode, each time you press the TUNE knob.

**Treble/Bass** — Use these modes to adjust the tone to your liking. Select TRE or BAS by pressing the TUNE knob. Adjust the desired mode by turning the TUNE knob. The level indicators on the display show you the range.

**Balance/Fader** — These two modes adjust the strength of the sound coming from each speaker. BAL adjusts the side-to-side strength, while FAD adjusts the front-to-back strength.



Select BAL or FAD by pressing the TUNE knob. Adjust the Balance or Fader to your liking by turning the TUNE knob. The level indicators on the display show you the range.

The system will automatically return the display to the selected audio mode about five seconds after you stop adjusting a mode with the TUNE knob.

## Audio System Lighting

You can use the instrument panel brightness control dial to adjust the illumination of the audio system (see page 71). The audio system illuminates when the parking lights are on, even if the radio is turned off.

## Radio Frequencies

Your Acura's radio can receive the complete AM and FM bands. Those bands cover these frequencies:

AM band:

530 to 1,710 kilohertz

FM band:

87.7 to 107.9 megahertz

Radio stations on the AM band are assigned frequencies at least ten kilohertz apart (530, 540, 550).

Stations on the FM band are assigned frequencies at least 0.2 megahertz apart (87.9, 88.1, 88.3).

Stations must use these exact frequencies. It is fairly common for stations to round-off the frequency in their advertising, so your radio could display a frequency of 100.9 even though the announcer may identify the station as "FM101."

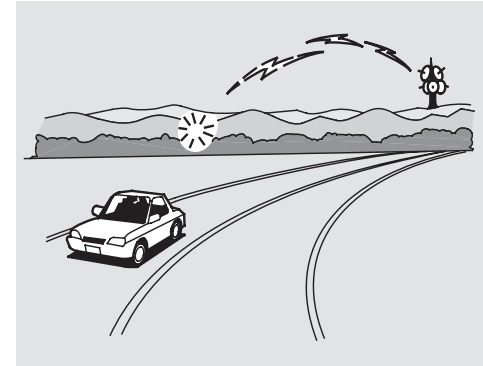
## Radio Reception

How well your Acura's radio receives stations is dependent on many factors, such as the distance from the station's transmitter, nearby large objects, and atmospheric conditions.

A radio station's signal gets weaker as you get farther away from its transmitter. If you are listening to an AM station, you will notice the sound volume becoming weaker, and the station drifting in and out. If you are listening to an FM station, you will see the stereo indicator flickering off and on as the signal weakens.

Eventually, the stereo indicator will

go off and the sound will fade completely as you get out of range of the station's signal.

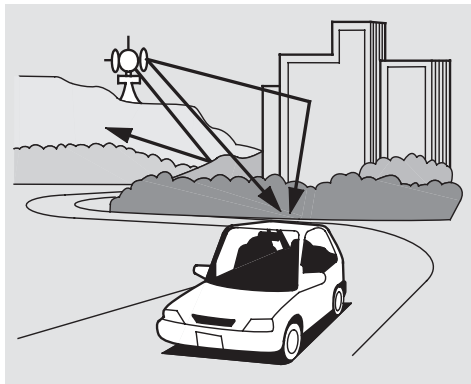


Driving very near the transmitter of a station that is broadcasting on a frequency close to the frequency of the station you are listening to can also affect your radio's reception. You may temporarily hear both stations, or hear only the station you are close to.

*CONTINUED*

## Audio System

---



Radio signals, especially on the FM band, are deflected by large objects such as buildings and hills. Your radio then receives both the direct signal from the station's transmitter, and the deflected signal. This causes the sound to distort or flutter. This is a main cause of poor radio reception in city driving.



Radio reception can be affected by atmospheric conditions such as thunderstorms, high humidity, and even sunspots. You may be able to receive a distant radio station one day and not receive it the next day because of a change in conditions.

Electrical interference from passing vehicles and stationary sources can cause temporary reception problems.



*As required by the FCC:  
Changes or modifications not expressly  
approved by the party responsible for  
compliance could void the user's  
authority to operate the equipment.*

### Operating the Cassette Player

The ignition switch must be in ACCESSORY (I) or ON (II).

Make sure the tape opening on the cassette is facing to the right, then insert the cassette most of the way into the slot. The system will pull it in the rest of the way, and begin to play.

The tape direction indicator will light to show you which side of the cassette is playing. The ▲ indicates the side you inserted facing upward is now playing. If you want to play the other side, press the PROG button.

Dolby noise reduction turns on when you insert a cassette. The  indicator will light in the display. If the tape was not recorded with Dolby noise reduction, turn it off by pressing the  button.

Noise reduction remains off until you turn it on by pressing the button again.

When the system reaches the end of the tape, it will automatically reverse direction and play the other side. If you want to remove the cassette from the drive, press the EJECT button.

You can remove the cassette with the ignition switch in any position, even if the audio system is turned off.

If you turn the system off while a tape is playing, either with the PWR/VOL knob or by turning off the ignition, the cassette will remain in the drive. When you turn the system back on, the tape will begin playing where it left off.

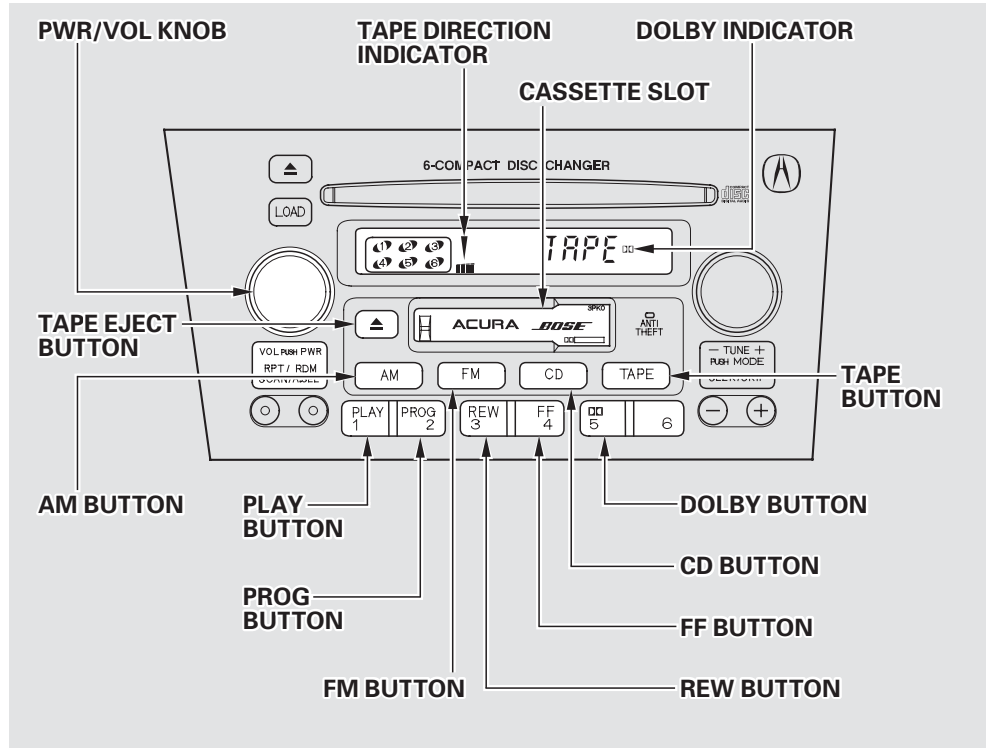
To switch to the radio or CD changer while listening to a tape, press the AM, FM or CD button. To change back to the cassette player, press the TAPE button.

# Audio System

## Tape Search Functions

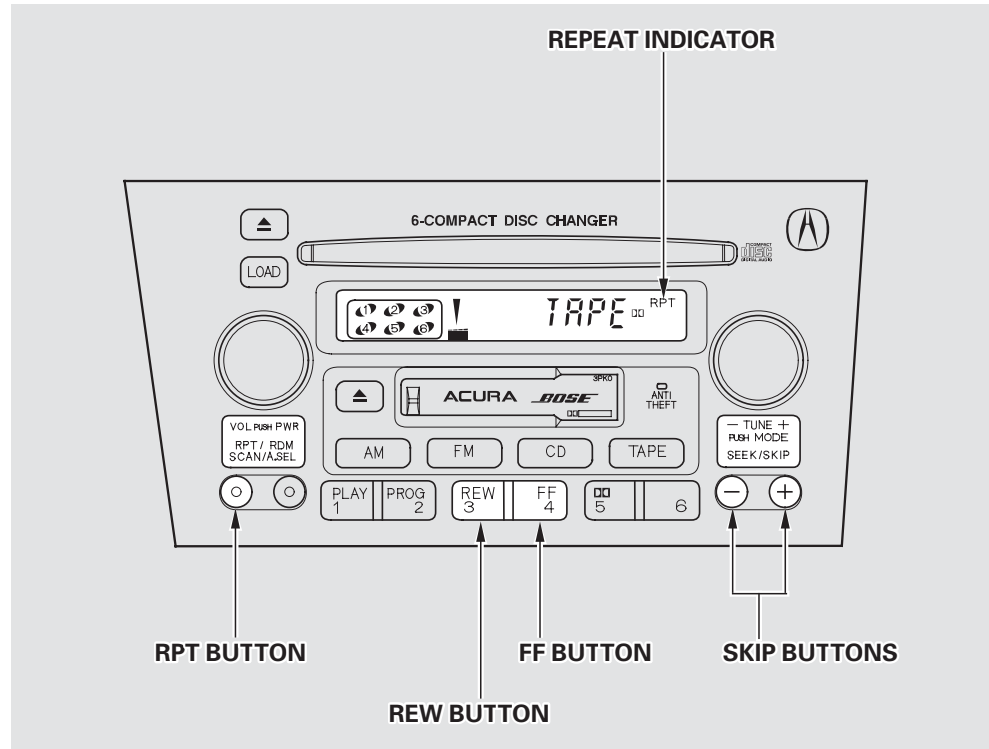
With a cassette playing, you can use the FF, REW, SKIP, or REPEAT function to find a desired program.

**FF/REW** — Fast Forward and Rewind move the tape rapidly. To rewind the tape, push the REW button. You will see REW in the display. To fast forward the tape, push the FF button. You will see FF displayed. Press the FF, REW or PLAY button to take the system out of rewind or fast forward. When the system reaches the end of the tape, it reverses direction and begins to play.



**SKIP** — The SKIP function allows you to find the beginning of a song or passage. To skip to the beginning of a song or passage currently playing, push the  $\ominus$  button. You will see REW flashing in the display as the tape rewinds. To skip to the beginning of the next song, push the  $\oplus$  button. You will see FF flashing in the display as the tape fast forwards. When the system finds the beginning of a song or passage, it goes back to PLAY.

To stop the SKIP function before it finds the beginning of a song or passage, press either of the SKIP buttons ( $\ominus$  or  $\oplus$ ).

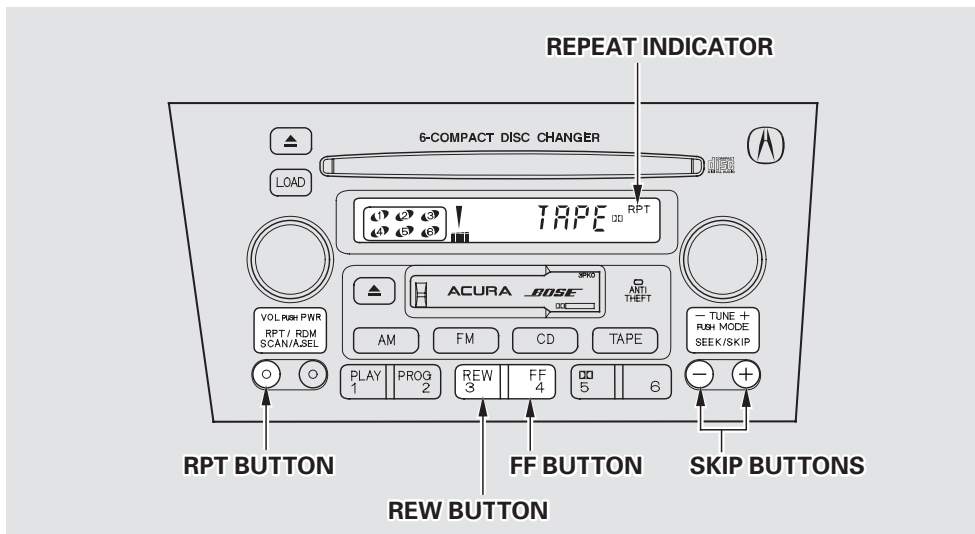


CONTINUED

## Audio System

**REPEAT** – The Repeat function continuously replays the current song or passage. Press the RPT button to activate it; you will see RPT displayed as a reminder. When the system reaches the end of the song or passage currently playing, it will automatically go into rewind. When it senses the beginning of the same song or passage, the system returns to PLAY mode. It will continue to repeat this same program until you deactivate REPEAT by pressing the button again.

Pressing the REW or FF button, or either of the SKIP buttons, also turns off REPEAT.



The SKIP and REPEAT functions use silent periods on the tape to find the end of a song or passage. These features may not work to your satisfaction if there is almost no gap between selections, a high noise level between selections, or a silent period in the middle of a selection.

### Caring for the Cassette Player

The cassette player picks up dirt and oxides from the tape. This contamination builds up over time and causes the sound quality to degrade. To prevent this, you should clean the player after every 30 hours of use. Your dealer has a cleaning kit available.

If you do not clean the cassette player regularly, it may eventually become impossible to remove the contamination with a normal cleaning kit.

Use 100-minute or shorter cassettes. Cassettes longer than that use thinner tape that may break or jam the drive.

Look at the cassette before you insert it. If the tape is loose, tighten it by turning a hub with a pencil or your finger.

If the label is peeling off, remove it from the cassette or it could cause the cassette to jam in the player. Never try to insert a warped or damaged cassette in the player.

When they are not in use, store cassettes in their cases to protect them from dust and moisture. Never place cassettes where they will be exposed to direct sunlight, high heat, or high humidity. If a cassette is exposed to extreme heat or cold, let it reach a moderate temperature before inserting it in the player.

Never try to insert foreign objects into the cassette player.

If you see the error indication “*TAPER*” on the display, press the EJECT button to remove the cassette from the unit. Make sure the tape is not damaged. If the cassette will not eject or the error indication stays on after the cassette ejects, take the car to your Acura dealer.



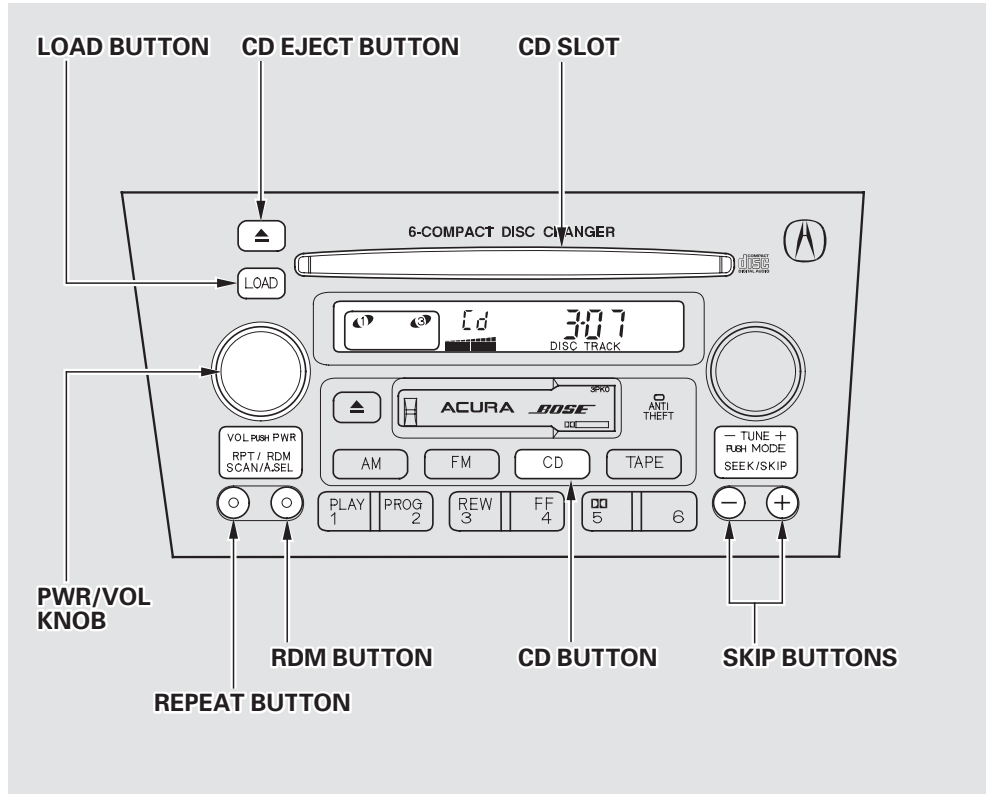
# Audio System

## Operating the CD Changer

Your Acura's audio system has an in-dash CD changer that holds up to six discs, providing several hours of continuous entertainment. You operate this CD changer with the same controls used for the radio and cassette player.

To load the CDs or operate the CD changer, the ignition switch must be in ACCESSORY (I) or ON (II).

Load and play only standard round discs. Odd-shaped CDs may jam in the drive or cause other problems. You cannot load and play 3-inch (8-cm) discs in this system.



### *Loading CDs in the Changer*

To load multiple CDs in one operation:

1. Press and hold the Load button until you hear a beep and see “\_ \_ \_ \_” in the display, then release the button.
2. On the left side of the display, the CD Loaded indicator for an empty position will begin blinking.
3. When you see LOAd in the display, insert the disc into the CD slot. Insert it only about halfway, the drive will pull it in the rest of the way. You will again see the dashes in the display as the CD is loaded.
4. When LOAd appears again in the display, insert the next disc into the CD slot.

5. Repeat this until all six positions are loaded. The system will then begin playing the last CD loaded.

If you are not loading CDs into all six positions, press the Load button again after the last CD has loaded. The system will begin playing the last CD loaded.

If you stop loading CDs before all six positions are filled, and you do not press the Load button, the system will wait for ten seconds, then stop the load operation and begin playing the last CD loaded.

To load a single CD:

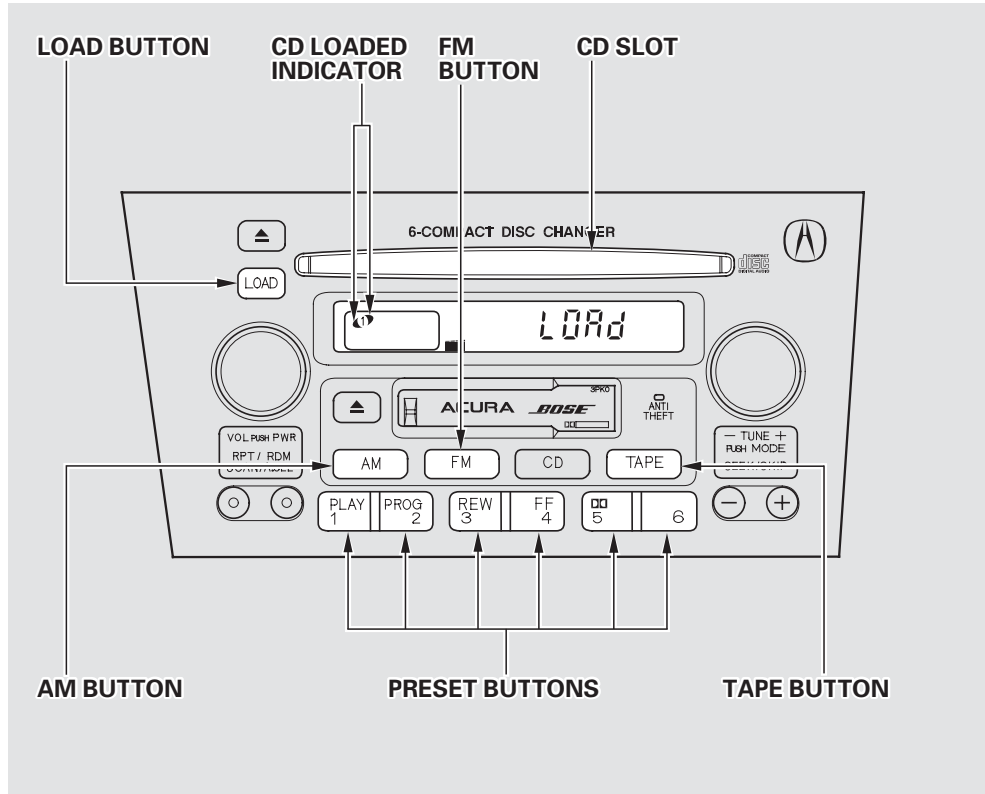
1. Press and release the Load button.
2. When the CD Loaded indicator for an empty position starts to blink, and you see LOAd in the display, insert the disc into the CD slot. Insert it only about halfway, the drive will pull it in the rest of the way.
3. The system will load the CD, and begin playing it.

*CONTINUED*

# Audio System

If you press the Load button while a CD is playing, the system will stop playing that CD and start the loading sequence. It will then play the CD just loaded.

You can also load a CD into an empty position while a CD is playing by pressing the appropriate preset button. Select an empty position (the CD Loaded indicator is off), and press the preset button for that position (1 to 6). The system will stop playing the current CD and start the loading sequence. It will then play the CD just loaded.



### **Operation**

Select the CD changer by pressing the CD button. You will see “Cd” in the display. The system will begin playing the last selected disc in the CD changer. You will see the disc and track numbers displayed.

When that disc ends, the next disc in the CD changer is loaded and played. After the last disc finishes, the system returns to disc 1.

To select a different disc, press the appropriate Preset button (1 – 6). If you select an empty position in the CD changer, the system will go into the loading sequence (see page 143).

You can use the SKIP buttons while a disc is playing to select passages and change tracks.

To move rapidly within a track, press and hold the appropriate SKIP button. You will hear a beep and the system will continue to move. Press the ⊕ button to move forward, or the ⊖ button to move backward. Release the button when the system reaches the point you want.

Each time you press the ⊕ button and release it, the system skips forward to the beginning of the next track. Press and release the ⊖ button to skip backward to the beginning of the current track. Press and release it again to skip to the beginning of the previous track.

**REPEAT** – To activate the Repeat feature, press and release the RPT button. You will see RPT in the display as a reminder. The system continuously replays the current track. Press the RPT button again to turn it off. Pressing either of the SKIP buttons also turns off the repeat feature.

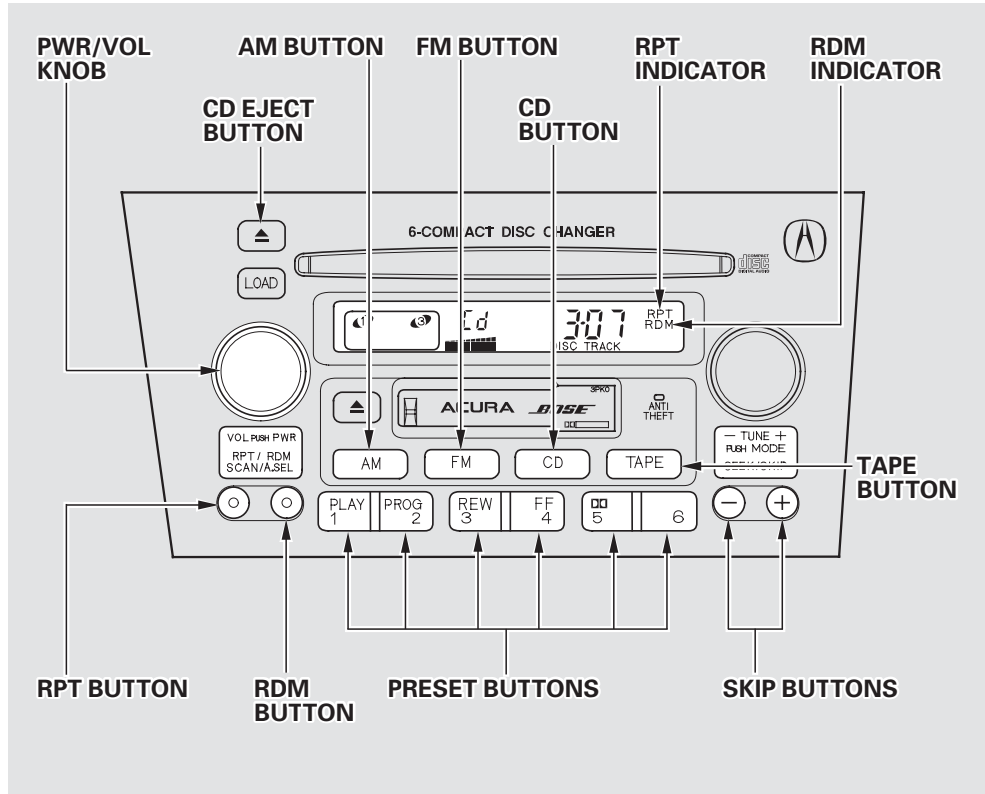
**RANDOM PLAY** – This feature, when activated, plays the tracks within a CD in random order, rather than in the order they are recorded on the CD. To activate Random Play, press the RDM button. You will see RDM in the display. The system will then select and play tracks randomly. This continues until you deactivate Random Play by pressing the RDM button again, or you select a different CD with a preset button.

*CONTINUED*

# Audio System

To take the system out of CD mode, press the AM or FM button, or insert a cassette in the player. If a tape is already in the cassette player, press the TAPE button. When you return to CD mode by pressing the CD button, play will continue at the same point that it left off.

If you turn the system off while a CD is playing, either with the PWR/VOL knob or the ignition switch, play will continue at the same point when you turn it back on.



### ***Removing CDs from the Changer***

To remove the disc that is currently playing, press the Eject button. You will see “EJEC” in the display. When you remove the disc from the slot, the system automatically begins the Load sequence so you can load another CD in that position. If you do not load another CD, after ten seconds the system begins playing the next disc in the changer. If the changer is empty, the system selects the previous mode (AM, FM, or Tape).

If you do not remove the disc from the slot, the system will reload the disc after ten seconds and begin playing it.

To remove a different CD from the changer, first select it with the appropriate preset button. When that CD begins playing, press the Eject button.

If you press the Eject button while listening to the radio or tape, or with the audio system turned off, the disc that was last selected is ejected. After that disc is ejected, pressing the Eject button again will eject the next disc in the numerical order. By doing this six times, you can remove all the CDs from the changer.

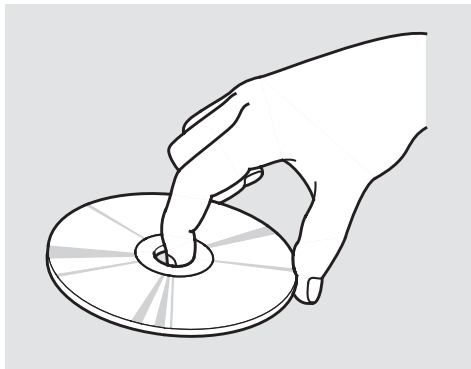
In any mode, if you press the Eject button and hold it until you hear a beep, the system will eject all of the discs in the changer.

You can also eject discs when the ignition switch is off. The disc that was last selected is ejected first. You can eject all six discs, one at a time.

# Audio System

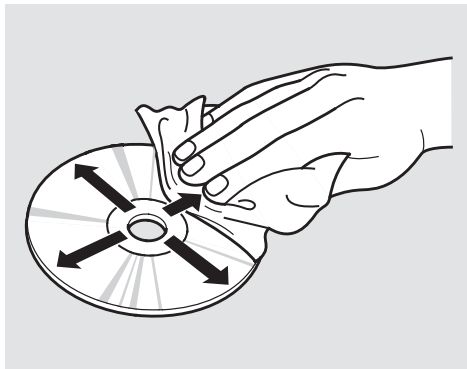
---

## Protecting Compact Discs

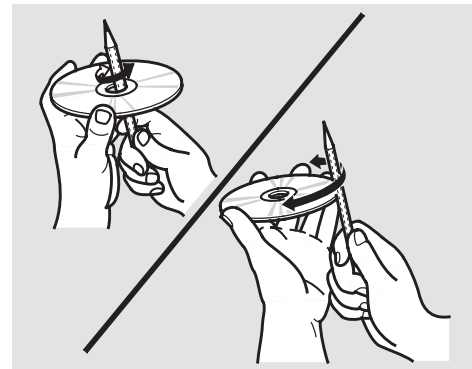


Handle a CD by its edges; never touch either surface. Contamination from fingerprints, liquids, felt-tip pens, and labels can cause the CD to not play properly, or possibly jam in the drive.

When a CD is not being played, store it in its case to protect it from dust and other contamination. To prevent warpage, keep CDs out of direct sunlight and extreme heat.



To clean a disc, use a clean soft cloth. Wipe across the disc from the center to the outside edge.




A new CD may be rough on the inner and outer edges. The small plastic pieces causing this roughness can flake off and fall on the recording surface of the disc, causing skipping or other problems. Remove these pieces by rubbing the inner and outer edges with the side of a pencil or pen.

Never try to insert foreign objects in the CD player or the magazine.

## CD Changer Error Indications

If you see an error indication in the display while operating the CD changer, find the cause in the chart to the right. If you cannot clear the error indication, take the car to your Acura dealer.

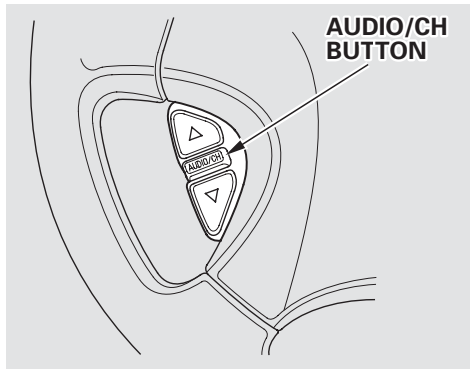
Indication	Cause	Solution
CD ErE0	Disc-changer malfunction.	Consult your Acura dealer.
CD Er-H	High temperature.	Will disappear when the temperature returns to normal.
CD1 E01	Disc-changer malfunction.	Consult your Acura dealer.
CD1 ---H	High temperature.	Will disappear when the temperature returns to normal.
CD1 EEE	Misconnection or disconnection of optional trunk-mounted CD changer.	See your Acura dealer.
CD1 --- -	No CD magazine in the optional trunk-mounted CD changer.	Insert a CD magazine.
CD1  DISC	No CD in magazine.	Insert a CD in magazine.



# Audio System

---

## Remote Audio Controls



Two controls for the audio system are mounted in the steering wheel hub. These let you control basic functions without removing your hand from the wheel.

The top and bottom buttons adjust the volume up (▲) or down (▼). Press the proper button and hold it until the desired volume is reached, then release it.

The AUDIO/CH button has three functions, depending on whether you are listening to the radio, or playing a cassette or CD.

If you are listening to the radio, use the AUDIO/CH button to change stations. Each time you press this button, the system advances to the next preset station on the band you are listening to. You will see the number of the selected Preset button in the display. To change bands, press the AM or FM button on the audio system's front panel.

If you are playing a cassette, use the AUDIO/CH button to advance to the next selection. You will see "FF" blinking in the display when you press the AUDIO/CH button. The system fast forwards until it senses a silent period, then goes back to PLAY.

If you are playing a CD, the system skips to the beginning of the next track each time you push the AUDIO/CH button. You will see the disc and track number in the display.

### **Theft Protection**

Your car's audio system will disable itself if it is disconnected from electrical power for any reason. To make it work again, the user must enter a specific five-digit code in the Preset buttons. Because there are hundreds of number combinations possible from five digits, making the system work without knowing the exact code is nearly impossible.

You should have received a card that lists your audio system's code number and serial number. It is best to store this card in a safe place at home. In addition, you should write the audio system's serial number in this Owner's Manual. If you should happen to lose the card, you must obtain the code number from your Acura dealer. To do this, you will need the system's serial number.

If your car's battery is disconnected or goes dead, or the radio fuse is removed, the audio system will disable itself. If this happens, you will see "Code" in the frequency display the next time you turn on the system. Use the Preset buttons to enter the five-digit code. If it is entered correctly, the radio will start playing.

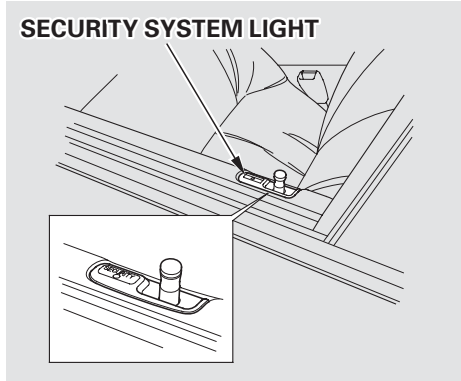
If you make a mistake entering the code, do not start over or try to correct your mistake. Complete the five-digit sequence, then enter the correct code. You have ten tries to enter the correct code. If you are unsuccessful in ten attempts, you must then leave the system on for one hour before trying again.

You will have to store your favorite stations in the Preset buttons after the system begins working. Your original settings were lost when power was disconnected.

## Security System

The security system helps to protect your car and valuables from theft. The horn sounds and a combination of headlights, parking lights, side marker lights and taillights flashes if someone attempts to break into your car or remove the radio. This alarm continues for two minutes, then the system resets. To reset an alarming system before the two minutes have elapsed, unlock either front door with the key or the remote transmitter.

The security system sets automatically fifteen seconds after you lock the doors, hood, and trunk. For the system to activate, you must lock the doors from the outside with the key, lock tab, door lock switch, or remote transmitter. The security system light next to the driver's door lock starts blinking immediately to show you the system is setting itself.



Once the security system is set, opening any door (without using the key or the remote transmitter), or the hood, will cause it to alarm. It also alarms if the radio is removed from the dashboard or the wiring is cut.

With the system set, you can still open the trunk with the remote transmitter without triggering the alarm. The alarm will sound if the trunk is opened with the trunk release button on the driver's door, the trunk release handle behind the trunk pass-through cover, or the emergency trunk opener.

The security system will not set if the hood, trunk, or any door is not fully closed. If the system will not set, check the Door and Trunk Open Monitor on the instrument panel (see page 62), to see if the doors and trunk are fully closed. Since it is not part of the monitor display, manually check the hood.

Do not attempt to alter this system or add other devices to it.

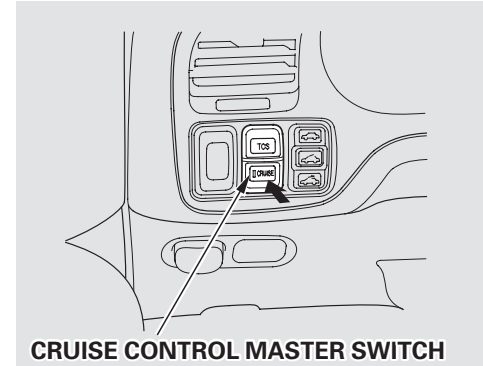
Cruise control allows you to maintain a set speed above 25 mph (40 km/h) without keeping your foot on the accelerator pedal. It should be used for cruising on straight, open highways. It is not recommended for conditions such as city driving, winding roads, slippery roads, heavy rain, or bad weather. You should have full control of the car under those conditions.

## **⚠ WARNING**

Improper use of the cruise control can lead to a crash.

Use the cruise control only when traveling on open highways in good weather.

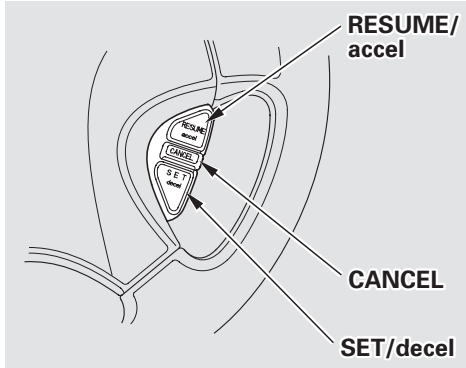
## *Using the Cruise Control*



1. Push in the Cruise Control Master Switch to the left of the steering column. The indicator in the switch will light.
2. Accelerate to the desired cruising speed above 25 mph (40 km/h).

*CONTINUED*

# Cruise Control



3. Press and release the SET/decel button on the steering wheel. The CRUISE CONTROL light on the instrument panel comes on to show the system is now activated.

The cruise control may not hold the set speed when you are going up and down hills. If your speed increases going down a hill, use the brakes to slow down to the desired speed. This will cancel the cruise control. To resume the set speed, press the RESUME/accel button. The CRUISE CONTROL light on the instrument panel comes on.

When climbing a steep hill, the automatic transmission may downshift to hold the set speed.

## *Changing the Set Speed*

You can increase the set cruising speed in any of these ways:

- Press and hold the RESUME/accel button. The car will accelerate. When you reach the desired cruising speed, release the button.
- To increase your speed in very small amounts, tap the RESUME/accel button repeatedly. Each time you do this, your car will speed up about 1 mph (1.6 km/h).
- Push on the accelerator pedal. Accelerate to the desired cruising speed and press the SET/decel button.

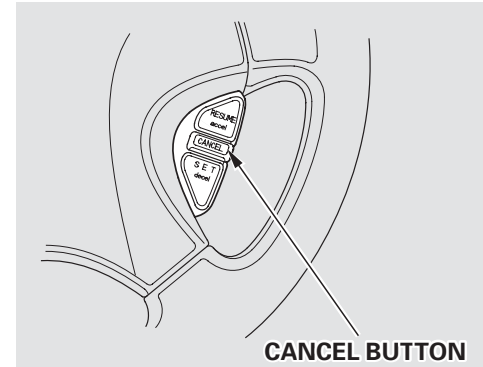
You can decrease the set cruising speed in any of these ways:

- Press and hold the SET/decel button. The car will decelerate. Release the button when you reach the desired speed.
- To slow down in very small amounts, tap the SET/decel button repeatedly. Each time you do this, your car will slow down about 1 mph (1.6 km/h).
- Tap the brake pedal lightly with your foot. The CRUISE CONTROL light on the instrument panel will go out. When the car slows to the desired speed, press the SET/decel button. The car will then maintain the desired speed.

Even with the cruise control turned on, you can still use the accelerator pedal to speed up for passing. After completing the pass, take your foot off the accelerator pedal. The car will return to the set cruising speed.

Resting your foot on the brake pedal will cause the cruise control to cancel.

### *Canceling the Cruise Control*



You can cancel the cruise control in any of these ways:

- Tap the brake pedal.
- Push the CANCEL button on the steering wheel.
- Press the Cruise Control Master Switch.

*CONTINUED*

## Cruise Control

---

When you push the CANCEL button, or tap the brake pedal, the CRUISE CONTROL light on the instrument panel will go out and the car will begin to slow down. You can use the accelerator pedal in the normal way.

The system remembers the previously-set cruising speed. To return to that speed, accelerate to above 25 mph (40 km/h), then press and release the RESUME/accel button. The CRUISE CONTROL light comes on, and the car will accelerate to the same cruising speed as before.

Pressing the Cruise Control Master Switch turns the system completely off and erases the previous cruising speed from memory. To use the system again, refer to *Using the Cruise Control*.

The HomeLink Universal Transceiver built into your car can be programmed to operate remotely-controlled devices around your home, such as garage doors, lighting, or home security systems. It can replace up to three remote transmitters.

## **Customer Assistance**

If you have problems with training the HomeLink Universal Transceiver, or would like information on home products that can be operated by the transmitter, call (800) 355-3515. On the Internet, go to [www.homelink.com](http://www.homelink.com).

## **Important Safety Precautions**

Always refer to the operating instructions and safety information that came with your garage door opener or other equipment you intend to operate with the HomeLink Universal Transceiver. If you do not have this information, you should contact the manufacturer of the equipment.

While training or using HomeLink, make sure you have a clear view of the garage door or gate, and that no one will be injured by its movement.

## **General Information**

If you are training HomeLink to operate a garage door or gate, it is recommended that you unplug the motor for that device during training. Repeatedly pressing the remote control button could burn out the motor.

HomeLink stores the code in a permanent memory. There should be no need to retrain HomeLink if your car's battery goes dead or is disconnected.

If your garage door opener was manufactured before April 1982, you may not be able to program HomeLink to operate it. Garage door openers manufactured before that date do not have a safety feature that causes them to stop and reverse if an obstacle is detected during closing, increasing the risk of injury. If you have questions, call (800) 355-3515.



# HomeLink Universal Transceiver

---

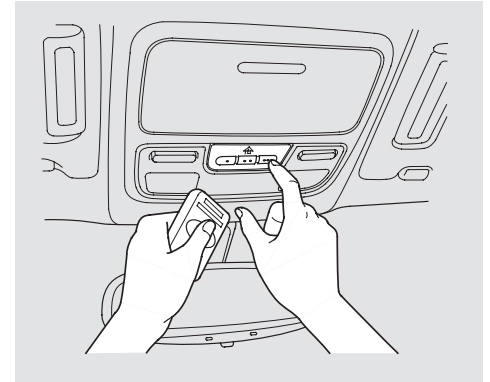
## Training HomeLink

Before you can use HomeLink to operate devices around your home, it must “learn” the proper codes. For example, to train HomeLink to open and close the garage door:

**Before you begin** — If you just took delivery of your vehicle and have not trained any of the buttons in HomeLink before, you should erase any previously learned codes before training the first button. To do this, press and hold the two outside buttons on the HomeLink transceiver for about 20 seconds, until the red light flashes. Release the buttons, then proceed to Step 1.

If you are training the second or third buttons, go directly to Step 1.

1. Unplug the garage door opener motor from the house current.
2. Hold the end of the garage door opener remote control 2 to 5 inches from HomeLink. Make sure you are not blocking your view of the red light in HomeLink.



3. Select the HomeLink button you want to train.
4. Press the button on the remote control and the button on HomeLink at the same time. Hold down both buttons.

## *Canadian Owners:*

The remote control you are training from may stop transmitting after two seconds. This is not long enough for HomeLink to learn the code. Release and press the button on the remote control every two seconds until HomeLink has learned the code.

5. The red light in HomeLink should begin flashing. It will flash slowly at first, then rapidly.
6. When the red light flashes rapidly, release both buttons. HomeLink should have learned the code from the remote control.
7. Plug in the garage door opener motor, then test the HomeLink transceiver button by pushing it. It should operate the garage door.

If the button does not work, repeat this procedure to train it again. If it still does not work, you may have a

variable or rolling code garage door opener. Test this by pressing and holding the HomeLink transceiver button you just trained. If the red light blinks for two seconds, then stays on, you have a rolling code garage door opener. You may be able to verify this with the manufacturer's documentation. Go to "Training With a Rolling Code System."

8. Repeat these steps to train the other two HomeLink buttons to operate any other remotely-controlled devices around your home (lighting, automatic gate, security system, etc.).

## **Training With a Rolling Code System**

For security purposes, newer garage door opening systems use a "rolling" or variable code. Information from the remote control and the garage door opener are needed before HomeLink can operate the garage door opener.

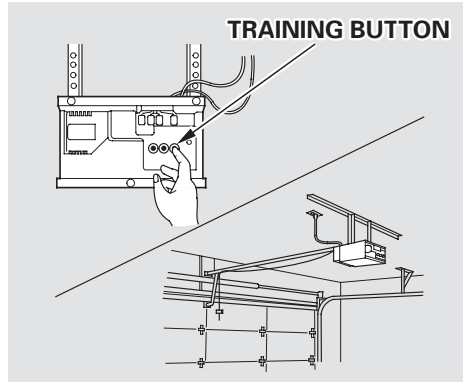
The "Training HomeLink" procedure trains HomeLink to the proper garage door opener code. The following procedure synchronizes HomeLink to the garage door opener so they send and receive the correct codes.

*CONTINUED*

# HomeLink Universal Transceiver

It may be helpful to have someone assist you with this procedure.

1. Make sure you have properly completed the “Training HomeLink” procedure.
2. Find the “Training” button on your garage door opener unit. The location will vary, depending on the manufacturer. The manufacturer’s documentation may help.



3. Press the Training button on the garage door opener unit until the light next to the button comes on, then release it. The light may blink, or come on and stay on. You then have approximately 30 seconds to complete the following steps.

4. Press and release the button on HomeLink. (The same button you trained with the “Training HomeLink” procedure.)
5. Press and release the HomeLink button again. This should turn off the training light on the garage door opener unit. (Some systems may require you to press and release the button up to three times.)
6. Press the HomeLink button again. It should operate the garage door.

## Retraining a Button

To train an already programmed HomeLink button to operate a new device:

1. Select the HomeLink button you want to train.
2. Press and hold the HomeLink button until the red light begins to flash slowly (approximately 20 seconds).
3. While continuing to hold the HomeLink button, place the remote control for the device 2 to 5 inches from HomeLink.
4. Press and hold the button on the remote control. Hold both buttons until the red light begins to flash rapidly.

5. Release both buttons. HomeLink should now be trained to operate the device.

## Erasing Codes

To erase the codes stored in all three buttons, press and hold the two outside buttons until the red light begins to flash, then release the buttons.

You should erase all three codes before selling the car.

*As required by the FCC:*

*This device complies with Part 15 of the FCC rules. Operation is subject to the following two conditions: (1) This device may not cause harmful interference, and (2) this device must accept any interference received, including interference that may cause undesired operation.*

*Changes or modifications not expressly approved by the party responsible for compliance could void the user's authority to operate the equipment.*

*This device complies with Industry Canada Standard RSS-210.*

*Operation is subject to the following two conditions: (1) this device may not cause interference, and (2) this device must accept any interference that may cause undesired operation of the device.*



Before you begin driving your Acura, you should know what gasoline to use, and how to check the levels of important fluids. You also need to know how to properly store luggage or packages. The information in this section will help you. If you plan to add any accessories to your car, please read the information in this section first.

Break-in Period .....	164
Gasoline .....	164
Service Station Procedures .....	165
Filling the Fuel Tank.....	165
Opening the Hood .....	166
Oil Check.....	168
Engine Coolant Check .....	169
Fuel Economy .....	170
Vehicle Condition .....	170
Driving Habits.....	170
Accessories and Modifications ....	171
Carrying Cargo .....	173

## Break-in Period, Gasoline

---

### Break-in Period

Help assure your car's future reliability and performance by paying extra attention to how you drive during the first 600 miles (1,000 km). During this period:

- Avoid full-throttle starts and rapid acceleration.
- Avoid hard braking. New brakes need to be broken-in by moderate use for the first 200 miles (300 km).
- Do not change the oil until the recommended time or mileage interval shown in the maintenance schedule.

You should follow these same recommendations with an overhauled or exchanged engine, or when the brakes are relined.

### Gasoline

Your Acura is designed to operate on premium unleaded gasoline with a pump octane number of 91 or higher.

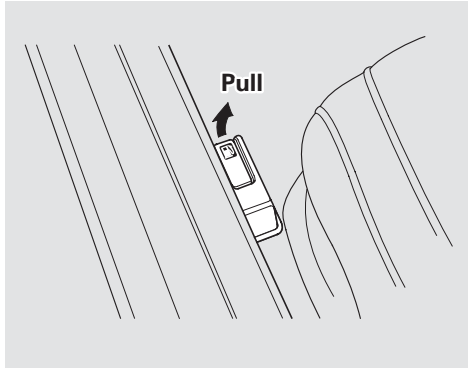
Use of a lower octane gasoline can cause occasional, metallic knocking noises in the engine and will result in decreased engine performance.

We recommend gasolines containing detergent additives that help prevent fuel system and engine deposits.

Using gasoline containing lead will damage your car's emissions controls. This contributes to air pollution.

In Canada, some gasolines contain an octane-enhancing additive called MMT. If you use such gasolines, your emissions control system performance may deteriorate and the Malfunction Indicator Lamp on your instrument panel may turn on. If this happens, contact your authorized Acura dealer for service.

### Filling the Fuel Tank

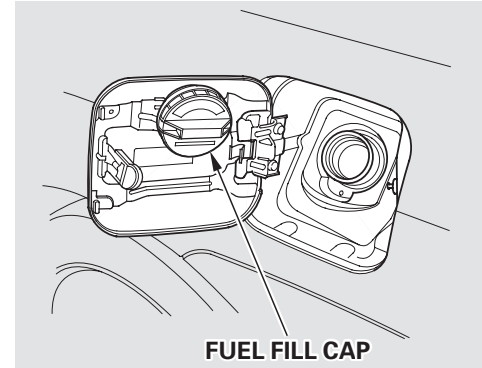


1. Because the fuel fill cap is on the driver's side of the car, park with that side closest to the service station pumps.
2. Open the fuel fill door by pulling on the handle at the outside of the driver's seat.

### **⚠ WARNING**

Gasoline is highly flammable and explosive. You can be burned or seriously injured when handling fuel.

- Stop the engine and keep heat, sparks, and flame away.
- Handle fuel only outdoors.
- Wipe up spills immediately.



3. Remove the fuel fill cap slowly. You may hear a hissing sound as pressure inside the tank escapes. Place the cap in the holder on the fuel fill door.

*CONTINUED*



## Service Station Procedures

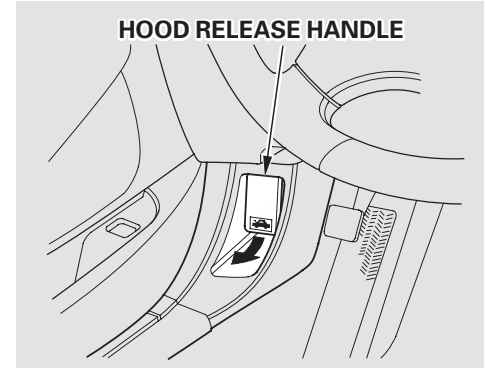
---

4. Stop filling the tank after the fuel nozzle automatically clicks off. Do not try to “top off” the tank, leave some room for the fuel to expand with temperature changes.

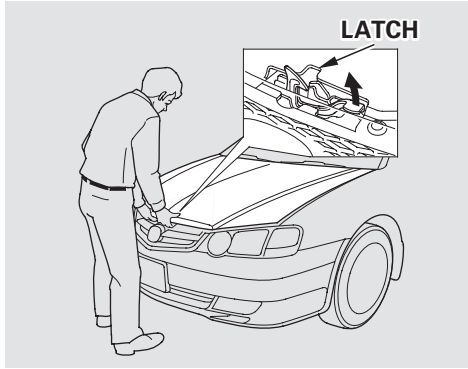
Your car has an on-board refueling vapor recovery system to help keep fuel vapors from going into the atmosphere. If the fuel pump keeps clicking off even though the tank is not full, there may be a problem with this system. Consult your dealer.

5. Screw the fuel fill cap back on, tighten it until it clicks several times. If you do not properly tighten the cap, the Malfunction Indicator Lamp may come on (see page [293](#)).
6. Push the fuel fill door closed until it latches.

### Opening the Hood

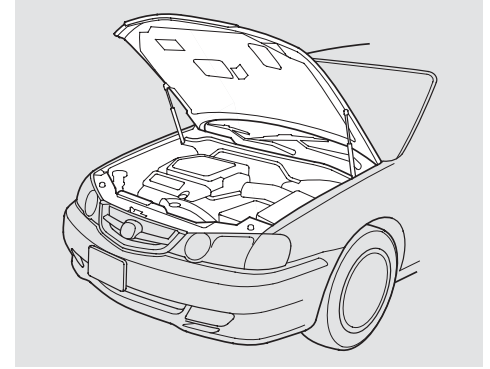


1. Shift to Park or Neutral and set the parking brake. Pull the hood release handle located under the lower left corner of the dashboard. The hood will pop up slightly.



2. Standing in front of the car, put your fingers under the front edge of the hood to the right of center. Slide your hand to the left until you feel the hood latch handle. Push this handle up until it releases the hood. Lift the hood.

If you can open the hood without lifting the hood latch handle, or the hood latch handle moves stiffly or does not spring back as before, the mechanism should be cleaned and lubricated (see page [237](#)).



3. Lift the hood up most of the way. The hydraulic supports will lift it up the rest of the way and hold it up.

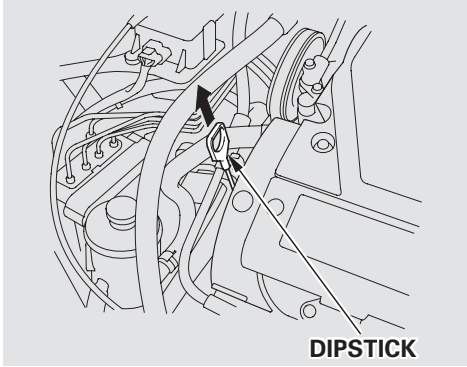
To close the hood, lower it to about a foot (30 cm) above the fender, then press down firmly with your hands. After closing the hood, make sure it is securely latched.

*CONTINUED*

# Service Station Procedures

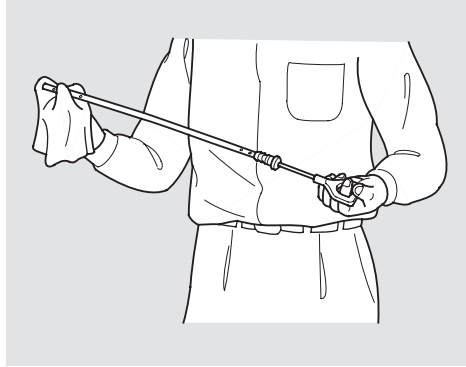
---

## Oil Check

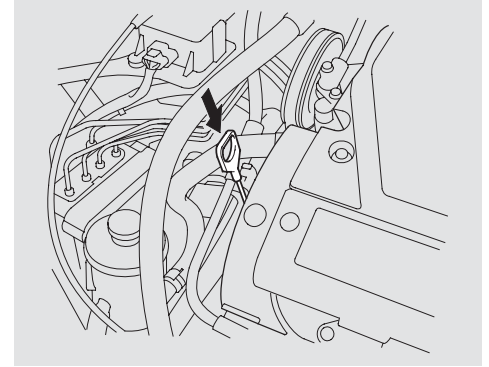


Check the engine oil level every time you fill the car with fuel. Wait a few minutes after turning the engine off before you check the oil.

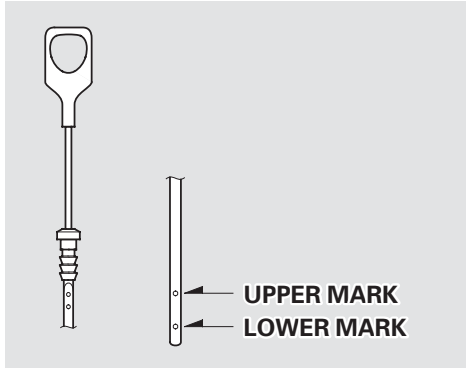
1. Remove the dipstick (orange handle).



2. Wipe the dipstick with a clean cloth or paper towel.



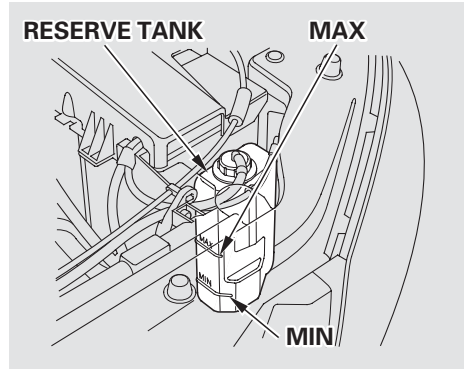
3. Insert it all the way back in its tube.



4. Remove the dipstick again and check the level. It should be between the upper and lower marks.

If it is near or below the lower mark, see **Adding Oil** on page [223](#).

### *Engine Coolant Check*



Look at the coolant level in the radiator reserve tank. Make sure it is between the MAX and MIN lines. If it is below the MIN line, see **Adding Engine Coolant** on page [228](#) for information on adding the proper coolant.

Refer to **Owner Maintenance Checks** on page [221](#) for information on checking other items in your Acura.

# Fuel Economy

---

The condition of your car and your driving habits are the two most important things that affect the fuel mileage you get.

## Vehicle Condition

Always maintain your car according to the maintenance schedule. This will keep it in top operating condition.

An important part of that maintenance is the **Owner Maintenance Checks** (see page 221 ). For example, an underinflated tire causes more “rolling resistance,” which uses fuel. It also wears out faster, so check the tire pressure at least monthly.

In winter, the build-up of snow on your car’s underside adds weight and rolling resistance. Frequent cleaning helps your fuel mileage and reduces the chance of corrosion.

## Driving Habits

You can improve fuel economy by driving moderately. Rapid acceleration, abrupt cornering, and hard braking use more fuel.

Always drive in the highest gear that allows the engine to run and accelerate smoothly.

Depending on traffic conditions, try to maintain a constant speed. Every time you slow down and speed up, your car uses extra fuel. Use the cruise control, when appropriate, to increase fuel economy.

A cold engine uses more fuel than a warm engine. It is not necessary to “warm-up” a cold engine by letting it idle for a long time. You can drive away in about a minute, no matter how cold it is outside. The engine will warm up faster, and you get better fuel economy. To cut down on the number of “cold starts,” try to combine several short trips into one.

The air conditioning puts an extra load on the engine which makes it use more fuel. Turn off the A/C or set the climate control to a higher temperature to cut down on air conditioning use. Use the flow-through ventilation when the outside air temperature is moderate.

Modifying your car, or installing some non-Acura accessories, can make your car unsafe. Before you make any modifications or add any accessories, be sure to read the following information.

### Accessories

Your dealer has Genuine Acura accessories that allow you to personalize your car. These accessories have been designed and approved for your car, and are covered by warranty.

Non-Acura accessories are usually designed for universal applications. Although aftermarket accessories may fit on your car, they may not meet factory specifications, and could adversely affect your car's handling and stability. (See "Modifications" on the page [172](#) for additional information.)

### **▲ WARNING**

Improper accessories or modifications can affect your car's handling, stability and performance, and cause a crash in which you can be hurt or killed.

Follow all instructions in this owner's manual regarding accessories and modifications.

When properly installed, cellular phones, alarms, two-way radios, and low-powered audio systems should not interfere with your car's computer-controlled systems, such as the SRS and anti-lock brake system.

However, if electronic accessories are improperly installed, or exceed your car's electrical system capacity, they can interfere with the operation

of your car, or even cause the airbags to deploy.

Before installing any accessory:

- Make sure the accessory does not obscure any lights, or interfere with proper car operation or performance.
- Be sure electronic accessories do not overload electrical circuits (see page [300](#)).
- Have the installer contact your Acura dealer for assistance before installing any electronic accessory.

If possible, have your dealer inspect the final installation.

## Accessories and Modifications

---

### Modifications

Do not remove any original equipment or modify your car in any way that would alter its design or operation. This could make your car unsafe and illegal to drive.

For example, do not make any modifications that would change the ride height of your car, or install wheels and tires with a different overall diameter.

Such modifications can adversely affect handling, and interfere with the operation of the car's anti-lock brakes and other systems.

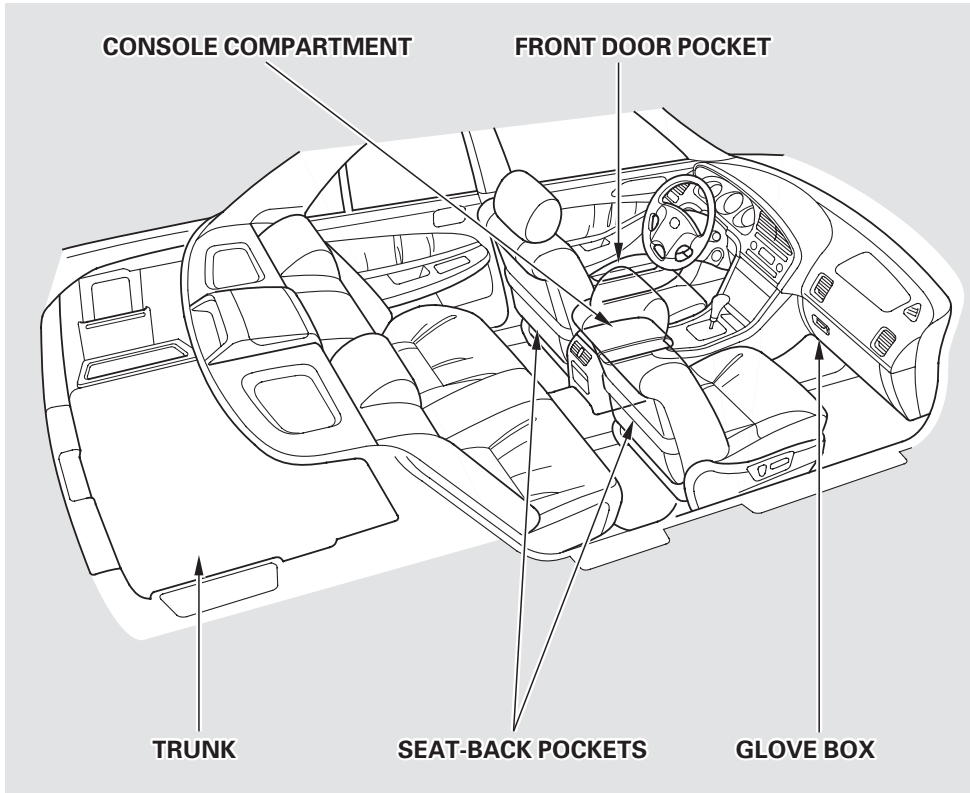
In addition, any modifications that decrease ground clearance increase the chance of undercarriage parts striking a curb, speed bump, or other raised object, which could cause your airbags to deploy.

Do not modify your steering wheel or any other part of your Supplemental Restraint System. Modifications could make the system ineffective.

### Additional Safety Precautions

- ***Do not attach or place objects on the front airbag covers.*** Any object attached to or placed on the covers marked "SRS AIRBAG," in the center of the steering wheel and on top of the dashboard, could interfere with the proper operation of the airbags. Or, if the airbags inflate, the objects could be propelled inside the car and hurt someone.

- ***Do not attach hard objects on or near a front door.*** If a side airbag inflates, a cup holder or other hard object attached on or near the door could be propelled inside the car and hurt someone.
- ***Do not place any objects over the outside edge of a front seat-back.*** Covering the outside edge of a front seat-back, with a non-Acura seat cover for example, could prevent the airbag from inflating properly.



Your car has several convenient storage areas so you can stow cargo safely.

The glove box, and the pockets in the front doors and seat-backs, are designed for small, lightweight items. The trunk is intended for larger, heavier items.

In addition, the trunk pass-through allows you to carry longer items.

However, carrying too much cargo, or improperly storing it, can affect your car's handling, stability and operation and make it unsafe. Before carrying any type of cargo, be sure to read the following pages.



# Carrying Cargo

---

## Load Limit

The maximum load for your car is 850 lbs (395 kg).

This figure includes the total weight of all occupants, cargo, accessories, and the tongue weight if you are towing a trailer.

To figure out how much cargo you can carry:

- Add up the weight of all occupants.
- If you are towing a trailer, add the tongue weight to the number above.
- Subtract the total from 850 lbs (395 kg).

The final number is the total weight of cargo you can carry.

## **▲ WARNING**

Overloading or improper loading can affect handling and stability and cause a crash in which you can be hurt or killed.

Follow all load limits and other loading guidelines in this manual.

## Carrying Items in the Passenger Compartment

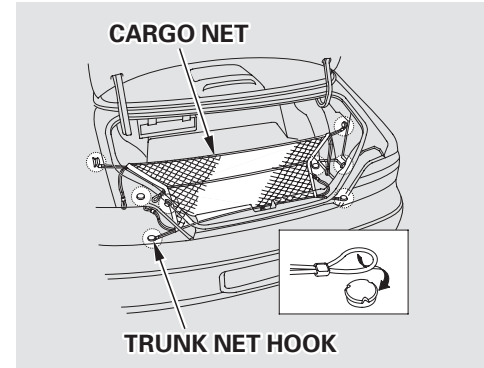
- Store or secure all items that could be thrown around and hurt someone during a crash.
- Do not put any items on top of the rear shelf. They can block your view and be thrown around the car during a crash.
- Be sure items placed on the floor behind the front seats cannot roll under the seats and interfere with the driver's ability to operate the pedals, or with the proper operation of the seats.
- Keep the glove box closed while driving. If the lid is open, a passenger could injure their knees during a crash or sudden stop.

### Carrying Cargo in the Trunk or on a Roof Rack

- Distribute cargo evenly on the floor of the trunk, placing the heaviest items on the bottom and as far forward as possible.
- If you carry large items that prevent you from closing the trunk lid, exhaust gas can enter the passenger area. To avoid the possibility of carbon monoxide poisoning, follow the instructions on page 53 .

- If you can carry any items on a roof rack, be sure the total weight of the rack and the items does not exceed the maximum allowable weight. Please contact your Acura dealer for further information.

### Cargo Net



The cargo net can be used to help hold down items stored in the trunk. To use the cargo net, hook it to the buttons on the floor and sides of the trunk. You can use the cargo net in several configurations by hooking it to different buttons.

When you are not using the cargo net, store it in the pocket in the left side of the trunk.



This section gives you tips on starting the engine under various conditions, and how to operate the automatic transmission. It also includes important information on parking your car, the braking system, the Traction Control System, and facts you need if you are planning to tow a trailer.

Preparing to Drive ..... 178  
Starting the Engine..... 179  
    Starting in Cold Weather  
        at High Altitude ..... 179  
Automatic Transmission..... 180  
    Shift Lever Position Indicator .. 180  
    Shift Lever Positions ..... 181  
    Engine Speed Limiter ..... 187  
    Shift Lock Release..... 187  
Parking..... 189  
The Braking System..... 190  
    Brake Wear Indicators..... 190  
    Brake System Design..... 191  
    Anti-lock Brakes ..... 191  
        Important Safety  
        Reminders ..... 192  
        ABS Indicator ..... 192  
Traction Control System..... 193  
    TCS ON/OFF Switch..... 194  
    TCS Indicator ..... 195  
Vehicle Stability Assist System... 196  
Driving in Bad Weather ..... 199  
Towing a Trailer ..... 201

# Preparing to Drive

---

You should do the following checks and adjustments every day before you drive your car.

1. Make sure all windows, mirrors, and outside lights are clean and unobstructed. Remove frost, snow, or ice.
2. Check that the hood and trunk are fully closed.
3. Visually check the tires. If a tire looks low, use a gauge to check its pressure.
4. Check that any items you may be carrying with you inside are stored properly or fastened down securely.
5. Check the adjustment of the seat (see page [88](#) ).
6. Check the adjustment of the inside and outside mirrors (see page [94](#) ).
7. Check the adjustment of the steering wheel (see page [75](#) ).
8. Make sure the doors are securely closed and locked.
9. Fasten your seat belt. Check that your passengers have fastened their seat belts (see page [15](#) ).
10. Turn the ignition switch ON (II). Check the indicator lights in the instrument panel.
11. Start the engine (see page [179](#) ).
12. Check the gauges and indicator lights in the instrument panel (see page [57](#) ).

1. Apply the parking brake.
2. In cold weather, turn off all electrical accessories to reduce the drain on the battery.
3. Make sure the shift lever is in Park. Press on the brake pedal.
4. Without touching the accelerator pedal, turn the ignition key to the START (III) position. If the engine does not start right away, do not hold the key in START (III) for more than 15 seconds at a time. Pause for at least 10 seconds before trying again.
5. If the engine does not start within 15 seconds, or starts but stalls right away, repeat step 4 with the accelerator pedal pressed half-way down. If the engine starts, release pressure on the accelerator pedal so the engine does not race.
6. If the engine still does not start, press the accelerator pedal all the way down and hold it there while starting in order to clear flooding. As before, keep the ignition key in the START (III) position for no more than 15 seconds. Return to step 5 if the engine does not start. If it starts, lift your foot off the accelerator pedal so the engine does not race.
2. Push the accelerator pedal half-way to the floor and hold it there while starting the engine. Do not hold the ignition key in START (III) for more than 15 seconds. When the engine starts, release the accelerator pedal gradually as the engine speeds up and smooths out.
3. If the engine fails to start in step 2, push the accelerator pedal to the floor and hold it there while you try to start the engine for no more than 15 seconds. If the engine does not start, return to step 2.

### **Starting in Cold Weather at High Altitude (Above 8,000 feet/ 2,400 meters)**

An engine is harder to start in cold weather. The thinner air found at high altitude above 8,000 feet (2,400 meters) adds to the problem. Use the following procedure:

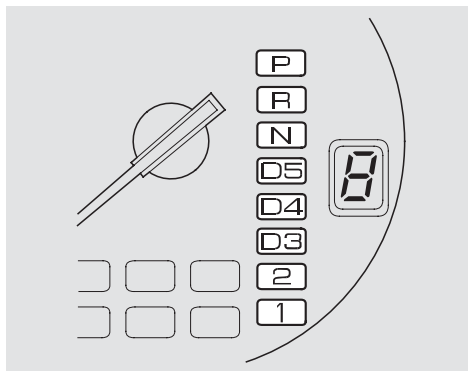
1. Turn off all electrical accessories to reduce the drain on the battery.

## Automatic Transmission

---

Your Acura's transmission has five forward speeds, and is electronically controlled for smoother shifting. It also has a "lock-up" torque converter for better fuel economy. You may feel what seems like another shift when the converter locks.

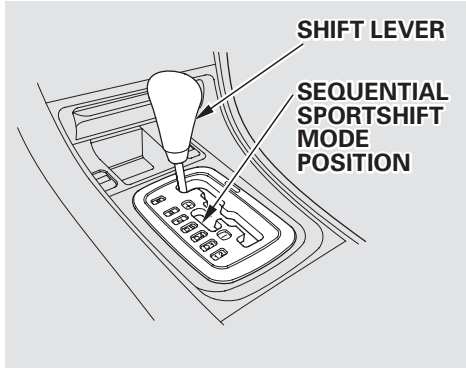
### Shift Lever Position Indicator



This indicator in the tachometer shows which position the shift lever is in. The illuminated number next to the "D5" indicator shows you the gear you have selected in the Sequential SportShift mode.

The "D5" indicator comes on for a few seconds when you turn the ignition switch ON (II). If it flashes while driving (in any shift position), it indicates a possible problem in the transmission. Avoid rapid acceleration and have the transmission checked by an authorized Acura dealer as soon as possible.

## Shift Lever Positions



The shift lever has nine positions. It must be in Park or Neutral to start the engine. When you are stopped in D5, D4, D3, 2, 1, N, R, or the Sequential SportShift mode, press firmly on the brake pedal and keep your foot off the accelerator pedal.

To select the Sequential SportShift mode, slide the shift lever toward the left from the “D5” position. In this mode the shift lever allows you to shift up and down manually.

To shift from:	Do this:
P to R	Press the brake pedal, then move the shift lever.
R to N N to D5 D5 to D4 D4 to D3 D3 to 2 2 to 1 1 to 2 2 to D3 D3 to D4 D4 to D5 D5 to N N to R R to P	Move the lever.

Whenever you move the shift lever, slide it along the guide on the console.

You cannot shift out of Park with the brake pedal depressed when the ignition switch is in LOCK (0) or ACCESSORY (I).

*CONTINUED*

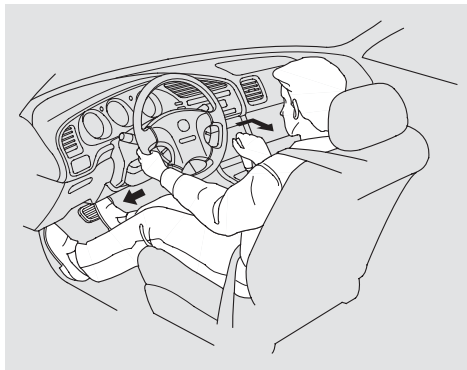


## Automatic Transmission

---

**Park (P)** — This position mechanically locks the transmission. Use Park whenever you are turning off or starting the engine. To shift out of Park, you must press on the brake pedal and have your foot off the accelerator pedal. Move the shift lever to the right to shift out of the Park position.

If you have done all of the above and still cannot move the lever out of Park, see Shift Lock Release on page [187](#).



To avoid transmission damage, come to a complete stop before shifting into Park. The shift lever must be in Park before you can remove the key from the ignition switch.

**Reverse (R)** — To shift to Reverse from Park, see the explanation under Park. To shift to Reverse from Neutral, come to a complete stop and then shift.

Your car has a reverse lockout so you cannot accidentally shift to Reverse from Neutral or any other driving position when the vehicle speed exceeds 7 — 9 mph (12 — 14 km/h).

If you cannot shift to Reverse when the car is stopped, press the brake pedal and slowly shift to Neutral, and then to Reverse.

If there is a problem in the reverse lockout system, or your car's battery is disconnected or goes dead, you cannot shift to Reverse. (Refer to Shift Lock Release on page [187](#)).

**Neutral (N)** — Use Neutral if you need to restart a stalled engine, or if it is necessary to stop briefly with the engine idling. Shift to Park position if you need to leave the car for any reason. Press on the brake pedal when you are moving the shift lever from Neutral to another gear.

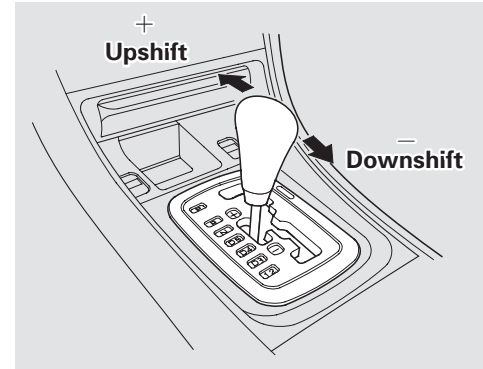
**Drive (D5)** — Use this position for your normal driving. The transmission automatically selects a suitable gear for your speed and acceleration. You may notice the transmission shifting up at higher speeds when the engine is cold. This helps the engine warm up faster.

**Sequential SportShift Mode** — With the shift lever in “D5” position, you can select the Sequential SportShift mode to shift gears; much like a manual transmission, but without a clutch pedal.

To enter the Sequential SportShift mode, move the shift lever to the left. To return to “D5”, move the shift lever to the right.

When you move the shift lever from “D5” to the Sequential SportShift mode, the display shows the selected gear.

In the Sequential SportShift mode, each time you push forward on the shift lever, the transmission shifts to a higher gear. Pull back on the lever to downshift. The number of the gear selected is displayed next to the “D5” indicator (see page [180](#) ).



Even with the Sequential SportShift Mode selected, the transmission will automatically upshift and downshift between first and second gear.

CONTINUED

## Automatic Transmission

---

When you accelerate away from a stop, the transmission will start in first gear and then automatically upshift to second gear. You have to manually upshift between second and fifth gears. Make sure you upshift before the engine speed reaches the tachometer's red zone.

The transmission remains in the selected gear (5, 4, 3). There is no automatic downshift when you push the accelerator pedal to the floor.

The transmission may automatically downshift from the higher gear to the lower gear under the following conditions:

### Driving on level roads and downhill

To shift from	Speed range
4 → 3	under 18 mph (29 km/h)
5 → 4	under 34 mph (55 km/h)

### Driving uphill

To shift from	Speed range
4 → 3	under 34 mph (55 km/h)
5 → 4	under 47 mph (75 km/h)

Downshifting gives you more power when climbing or provides engine braking when going down a steep hill.

The transmission will also shift automatically as the vehicle comes to a complete stop. It will downshift to first gear when the vehicle speed is under 9 mph (15 km/h).

If you try to manually downshift at a speed that would cause the engine to exceed the redline in a lower gear, the transmission will not downshift.

The gear indicator will flash the number of the lower gear several times, then return to the higher gear.

If the car speed slows to below the redline of the selected lower gear position while the indicator is flashing, the transmission will downshift and the display will show the selected lower gear.

If the transmission temperature is below 14 °F ( -10 °C), you may not be able to use the Sequential SportShift mode.

The table shows the speed ranges for upshifting and downshifting.

To shift from	Speed range
2 → 3	over 9 mph (15 km/h)
3 → 4	over 18 mph (29 km/h)
4 → 5	over 34 mph (55 km/h)

To shift from	Speed range
3 → 2	under 60 mph <sup>*1</sup> (96 km/h) under 65 mph <sup>*2</sup> (104 km/h)
4 → 3	under 93 mph <sup>*1</sup> (150 km/h) under 104 mph <sup>*2</sup> (166 km/h)
5 → 4	under 125 mph (200 km/h)

\*1 : Premium model

\*2 : Type S

*CONTINUED*

## Automatic Transmission

---

**Drive (D4, D3)** — These positions are similar to D5, except when you select the D4 position, only the first four gears are selected. When you select D3, only the first three gears are selected. D4 can also keep the transmission from cycling between fourth and fifth gears in stop-and-go driving, and D3 can keep the transmission from cycling between third and fourth gears.

Use D3 when towing a trailer in hilly terrain, or to provide engine braking when going down a steep hill. D3 gives you more power and increased engine braking.

For faster acceleration when in D3, D4 or D5, you can get the transmission to automatically downshift by pushing the accelerator pedal to the floor. The transmission will shift down one or two gears, depending on your speed.

**Second (2)** — This position locks the transmission in second gear. It does not downshift to first gear when you come to a stop. Second gives you more power when climbing, and increased engine braking when going down steep hills. Use second gear when starting out on a slippery surface or in deep snow. It will help reduce wheelspin.

**First (1)** – With the lever in this position, the transmission locks in First gear.

If you shift into First position when the vehicle speed is above 31 mph (50 km/h), the transmission shifts into Second gear first to avoid sudden engine braking.

### **Engine Speed Limiter**

If you exceed the maximum speed for the gear you are in, the engine speed will enter into the tachometer's red zone. If this occurs, you may feel the engine cut in and out. This is caused by a limiter in the engine's computer controls. The engine will run normally when you reduce the RPM below the red zone.

### **Shift Lock Release**

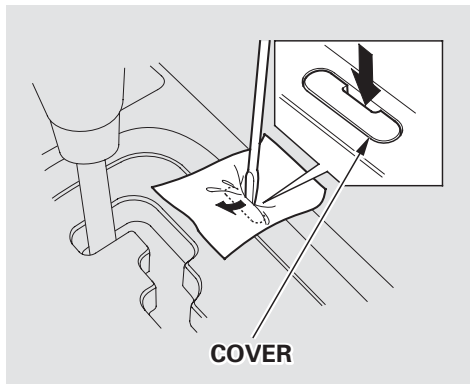
This allows you to move the shift lever out of Park if the normal method of pushing on the brake pedal does not work. This procedure also releases the Reverse Lockout.

1. Set the Parking brake.
2. Make sure the ignition switch is in the OFF (0) position.

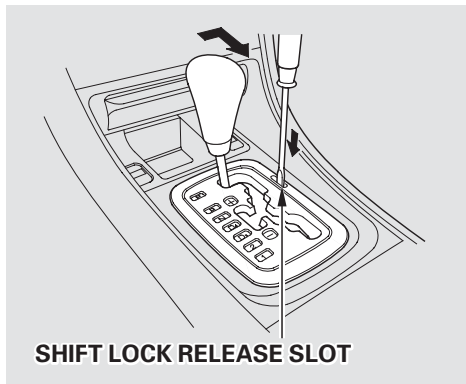
To release the Reverse Lockout, make sure the ignition switch is in the ACCESSORY (I) position.

*CONTINUED*

## Automatic Transmission



3. Put a cloth on the edge of the Shift Lock Release slot next to the shift lever.  
Use a small flat-tipped screwdriver or small metal plate (neither are included in the tool kit) to remove the cover. Carefully pry off the edge of the cover.



4. Insert a screwdriver in the Shift Lock Release slot.
5. Push down on the screwdriver and move the shift lever out of Park to Neutral.

To release the Reverse Lockout, move the shift lever from Neutral to Reverse, then Park.

6. Remove the screwdriver from the Shift Lock Release slot, then reinstall the cover. Make sure the notch on the cover is on the right side. Depress the brake pedal and restart the engine.

If you need to use the Shift Lock Release, it means your car is developing a problem. Have the car checked by your Acura dealer.

Always use the parking brake when you park your car. The indicator on the instrument panel shows that the parking brake is not fully released; it does not indicate that the parking brake is firmly set. Make sure the parking brake is set firmly or your car may roll if it is parked on an incline.

Set the parking brake before you put the transmission in Park. This keeps the car from moving and putting pressure on the parking mechanism in the transmission — making it easier to move the shift lever out of Park when you want to drive away.

If the car is facing uphill, turn the front wheels away from the curb.

If the car is facing downhill, turn the front wheels toward the curb.

Make sure the parking brake is fully released before driving away. Driving with the parking brake partially set can overheat or damage the rear brakes.

### **Parking Tips**

- Make sure the moonroof and the windows are closed.
- Turn off the lights.
- Place any packages, valuables, etc., in the trunk or take them with you.
- Lock the doors with the key or the remote transmitter. Check the indicator on the driver's door to verify that the security system is set.
- Never park over dry leaves, tall grass, or other flammable materials. The three way catalytic converter gets very hot, and could cause these materials to catch on fire.



## The Braking System

---

Your Acura is equipped with disc brakes at all four wheels. A power assist helps reduce the effort needed on the brake pedal. The ABS helps you retain steering control when braking very hard.

Put your foot on the brake pedal only when you intend to brake. Resting your foot on the pedal keeps the brakes applied lightly, causing them to build up heat. Heat build-up can reduce how well your brakes work. It also keeps your brake lights on all the time, confusing drivers behind you.

Constant application of the brakes when going down a long hill builds up heat and reduces their effectiveness. Use the engine to assist the brakes by downshifting to a lower gear and taking your foot off the accelerator pedal.

Check your brakes after driving through deep water. Apply the brakes moderately to see if they feel normal. If not, apply them gently and frequently until they do. Since a longer distance is needed to stop with wet brakes, be extra cautious and alert in your driving.

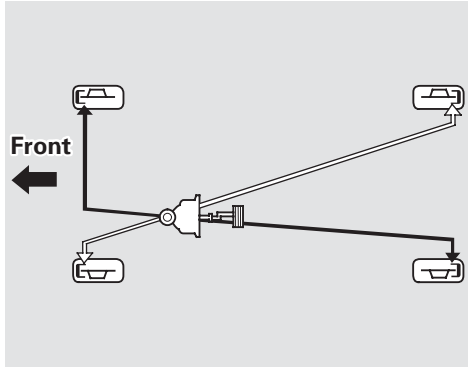
### **Brake Wear Indicators**

All four brakes have audible brake wear indicators. When the brake pads need replacing, you will hear a distinctive metallic “screeching” sound when you apply the brakes. If you do not have the brake pads replaced, they will begin screeching all the time.

Your brakes may sometimes squeal or squeak when you apply them lightly. Do not confuse this with the brake wear indicators. They make a very audible “screeching.”

## Brake System Design

The hydraulic system that operates the brakes has two separate circuits. Each circuit works diagonally across the vehicle (the left-front brake is connected with the right-rear brake, etc.). If one circuit should develop a problem, you will still have braking at two wheels.



## Anti-lock Brakes

Your car has an Anti-lock Brake System (ABS) as standard equipment. ABS helps to prevent the wheels from locking up and skidding during hard braking, allowing you to retain steering control.

When the front tires skid, you lose steering control; the car continues straight ahead even though you turn the steering wheel. The ABS helps to prevent lock-up and helps you retain steering control by pumping the brakes rapidly; much faster than a person can do it.

**You should never pump the brake pedal,** this defeats the purpose of the ABS. Let the ABS work for you by always keeping firm, steady pressure on the brake pedal as you steer away from the hazard. This is sometimes referred to as *“stomp and steer.”*

You will feel a pulsation in the brake pedal when the ABS activates, and you may hear some noise. This is normal, it is the ABS rapidly pumping the brakes.

Activation varies with the amount of traction your tires have. On dry pavement, you will need to press on the brake pedal very hard before you activate the ABS. However, you may feel the ABS activate immediately if you are trying to stop on snow or ice.

CONTINUED

# The Braking System

## *Important Safety Reminders*

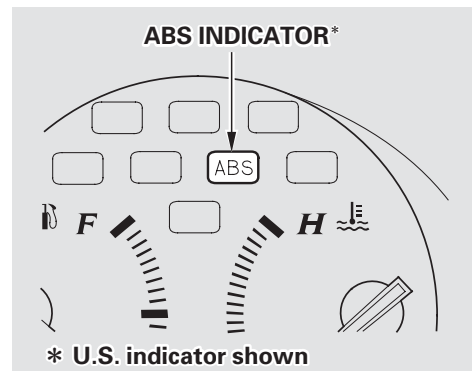
**ABS does not reduce the time or distance it takes to stop the vehicle**, it only helps with steering control during braking. You should always maintain a safe following distance from other vehicles.

**ABS will not prevent a skid that results from changing direction abruptly**, such as trying to take a corner too fast or making a sudden lane change. Always drive at a safe, prudent speed for the road and weather conditions.

**ABS cannot prevent a loss of stability.** Always steer moderately when you are braking hard. Severe or sharp steering wheel movement can still cause your car to veer into oncoming traffic or off the road.

**A vehicle with ABS may require a longer distance to stop** on loose or uneven surfaces, such as gravel or snow, than a vehicle without anti-lock. Slow down and allow a greater distance between vehicles under those conditions.

## *ABS Indicator*



The ABS is self-checking. If anything goes wrong, the ABS indicator on the instrument panel comes on (see page 60). This means the anti-lock function of the braking system has shut down. The brakes still work like a conventional system without anti-lock, providing normal stopping ability. You should have the dealer inspect your car as soon as possible.

# The Braking System, Traction Control System

Test your brakes as instructed on page 295. If the brakes feel normal, drive slowly and have your car repaired by your dealer as soon as possible. Avoid sudden hard braking which could cause the rear wheels to lock up and possibly lead to a loss of control.

## *On Premium model*

The TCS indicator will come on along with the ABS indicator.

## *On Type S*

The VSA system indicator may come on along with the ABS indicator if there is a problem with the anti-lock brake system.

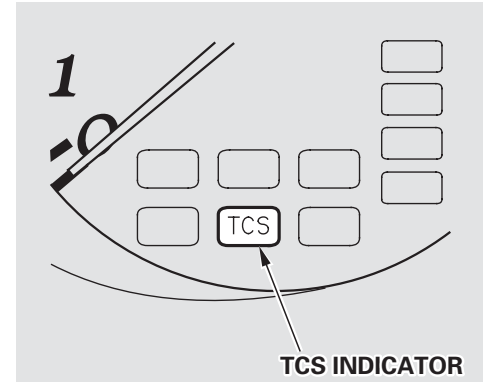
## **Traction Control System**

### *On Premium model*

Your Acura is equipped with a Traction Control System (TCS) to assist you in maintaining traction while driving slowly on loose or slippery surfaces. The TCS assists only in low-speed, low-traction conditions; up to approximately 18 mph (30 km/h).

The TCS monitors the speed of all four wheels. When it senses a front wheel losing traction, it applies braking to that wheel. The TCS indicator flashes when this occurs.

Driving with TCS requires no special skills or technique. The TCS does not control your car's whole braking system and cannot prevent skidding if you enter a corner too fast. It is still your responsibility to drive at reasonable speeds and to leave a sufficient margin of safety.



When starting out or driving at low speeds on a loose or slippery road surface, you may notice that the vehicle does not respond to the accelerator in the same way it does at other times. This is a sign the TCS is activating. You will see the TCS indicator light flash.

*CONTINUED*

## Traction Control System

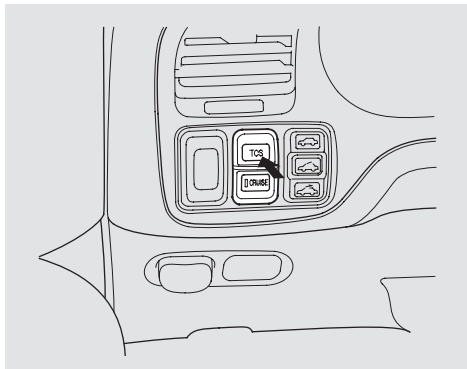
---

You should still install winter tires on your car during the winter. Make sure to use the same size originally supplied with vehicle. Exercise the same caution in winter driving as you would if your car was not equipped with TCS.

Driving with the compact spare tire installed (see page 278 ) may activate the TCS. You should turn off the system.

If the brakes overheat while the TCS is activating, the TCS indicator will stop flashing and stay on temporarily. This indicates that the TCS system has turned off. After the brakes have cooled down (usually for about 10 minutes), the TCS will turn back on and the indicator will turn off.

### *TCS ON/OFF Switch*



This switch is under the side vent. It lets you turn the Traction Control System on and off. You cannot turn off the TCS while the TCS indicator light is flashing.

Deactivate the system by pressing the TCS On/Off switch. The TCS indicator light comes on as a reminder. Pressing the switch again turns the system back on.

The Traction Control System turns on every time you start the engine, even if you turned it off the last time you drove the vehicle.

### ***TCS Indicator***

The TCS indicator comes on or flashes under the following conditions:

- When you turn the ignition switch to ON (II).
- When you manually turn off the TCS.
- It flashes when the TCS is regulating wheelspin.
- If the system's diagnostics senses a problem in the TCS, the indicator will come on and stay on.
- If the brakes overheat, the indicator will come on.

If the TCS indicator comes on and stays on for more than 10 minutes while driving, pull to the side of the road when it is safe and turn off the engine. Reset the system by restarting the engine, and watch the TCS indicator. If the indicator remains on, or comes back on while driving, have the system inspected by your Acura dealer. You can still drive the vehicle without TCS.

This indicator will come on along with the ABS indicator if there is a problem in the anti-lock brake system (see **ABS Indicator** on page [192](#)).

The TCS indicator may occasionally come on for one or two seconds and then go out. This is normal.

## Vehicle Stability Assist (VSA) System

---

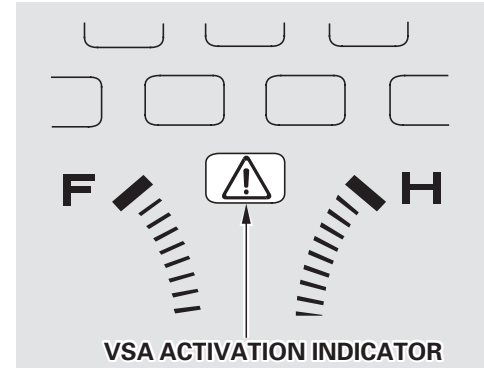
### *On Type S*

The Vehicle Stability Assist system helps to stabilize the vehicle during cornering if the car turns more or less than desired. It also assists you in maintaining traction while accelerating on loose or slippery road surfaces. It does this by regulating the engine's output, and by selectively applying braking.

When VSA activates, you may notice that the engine does not respond to the accelerator in the same way it does at other times. You will also see the VSA Activation Indicator blink.

The VSA system cannot enhance the car's driving stability in all situations and does not control your vehicle's entire braking system. It is still your responsibility to drive and corner at reasonable speeds and to leave a sufficient margin of safety.

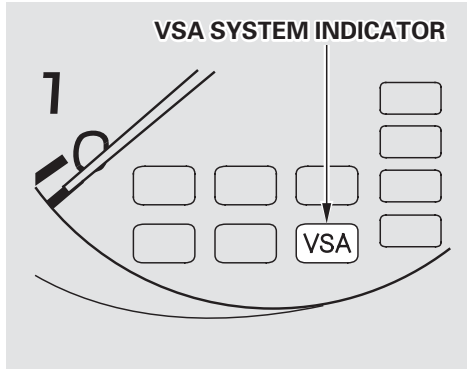
### *VSA Activation Indicator*



When VSA activates, you will see the VSA Activation indicator blink.

# Vehicle Stability Assist (VSA) System

## VSA System Indicator



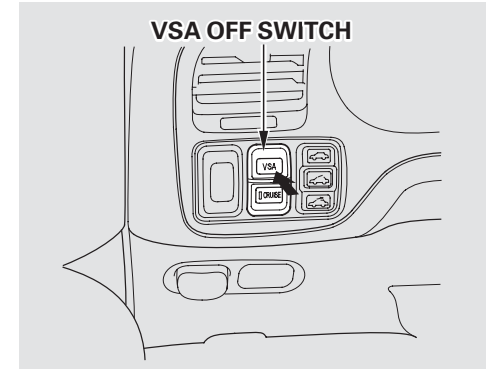
The VSA system indicator (see page 61) comes on and stays on when there is a problem with the VSA system. The VSA Activation indicator will also come on.

If the VSA indicator comes on while driving, pull to the side of the road when it is safe and turn off the engine. Reset the system by restarting the engine, and watch the VSA system indicator. If the indicator remains on, or comes back on while driving, have the VSA system inspected by your Acura dealer.

If the indicator does not come on when the ignition switch is turned ON (II), there may be a problem with the VSA system. Have your dealer inspect your car as soon as possible.

Without VSA, your car will have normal braking and cornering ability, but it will not have VSA traction and stability enhancement.

## VSA Off Switch



This switch is under the left vent. Press it to turn the Vehicle Stability Assist system on and off.

When VSA is off, the VSA Activation Indicator light comes on as a reminder. Pressing the switch again turns the system back on.

*CONTINUED*



## Vehicle Stability Assist (VSA) System

---

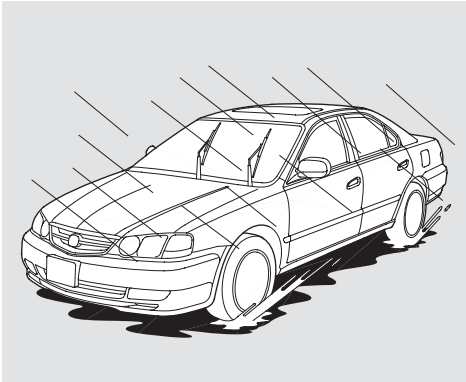
VSA is turned on every time you start the engine, even if you turned it off the last time you drove the car.

### **VSA and Tire Sizes**

Driving with varying tire or wheel sizes may cause the VSA to malfunction. When replacing tires, make sure they are of the same size and type as your original tires (see page [254](#)).

Deactivate the VSA system if you need to drive with the compact spare tire installed (see page [278](#)).

If you install winter tires, make sure they are the same size as those that were originally supplied with your car. Exercise the same caution during winter driving as you would if your car was not equipped with VSA.



Rain, fog, and snow conditions require a different driving technique because of reduced traction and visibility. Keep your car well-maintained and exercise greater caution when you need to drive in bad weather. The cruise control should not be used in these conditions.

**Driving Technique** — Always drive slower than you would in dry weather. It takes your car longer to react, even in conditions that may seem just barely damp. Apply smooth, even pressure to all the controls. Abrupt steering wheel movements or sudden, hard application of the brakes can cause loss of control in wet weather. Be extra cautious for the first few miles (kilometers) of driving while you adjust to the change in driving conditions. This is especially true in snow. A person can forget some snow-driving techniques during the summer months. Practice is needed to relearn those skills.

Exercise extra caution when driving in rain after a long dry spell. After months of dry weather, the first rains bring oil to the surface of the roadway, making it slippery.

## Driving in Bad Weather

---

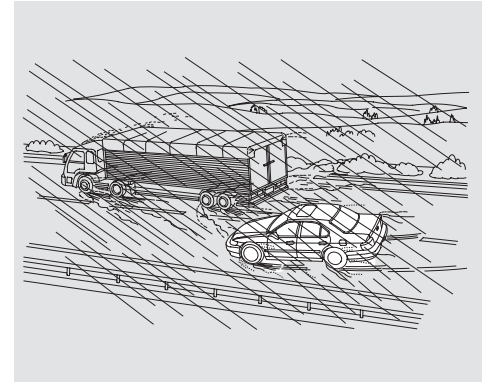
**Visibility** — Being able to see clearly in all directions and being visible to other drivers are important in all weather conditions. This is more difficult in bad weather. To be seen more clearly during daylight hours, turn on your headlights.

Inspect your windshield wipers and washers frequently. Keep the windshield washer reservoir full of the proper fluid. Have the windshield wiper blades replaced if they start to streak the windshield or leave parts unwiped. Use the defroster and air conditioning to keep the windows from fogging up on the inside (see pages [122](#) and [127](#)).

**Traction** — Check your tires frequently for wear and proper pressure. Both are important in preventing “hydroplaning” (loss of traction on a wet surface). In the winter, mount snow tires on all four wheels for the best handling.

Watch road conditions carefully, they can change from moment to moment. Wet leaves can be as slippery as ice. “Clear” roads can have patches of ice. Driving conditions can be very hazardous when the outside temperature is near freezing. The road surface can become covered with areas of water puddles mixed with areas of ice, so your traction can change without warning.

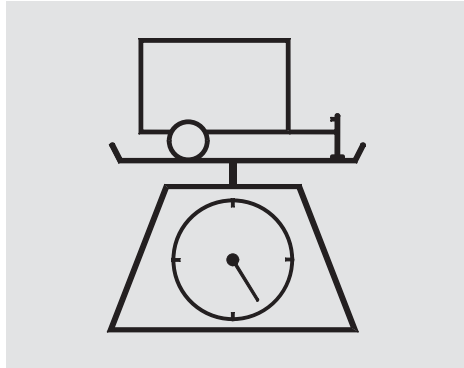
Be careful when downshifting. If traction is low, you can lock up the drive wheels for a moment and cause a skid.



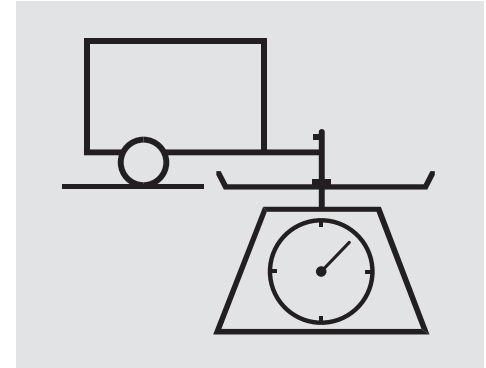
Be very cautious when passing, or being passed by other vehicles. The spray from large vehicles reduces your visibility, and the wind buffeting can cause you to lose control.

Your Acura has been designed primarily to carry passengers and their cargo. You can use it to tow a trailer if you carefully observe the load limits, use the proper equipment, and follow the guidelines in this section.

### Load Limits



- **Total Trailer Weight:** The total weight of the trailer and everything loaded in it must not exceed 1,000 lbs (450 kg). Towing a load that is too heavy can seriously affect your vehicle's handling and performance. It can also damage the engine and drivetrain.



- **Tongue Load:** The weight that the tongue of a fully-loaded trailer puts on the hitch should be approximately 10 percent of the trailer weight. Too little tongue load can make the trailer unstable and cause it to sway. Too much tongue load reduces front-tire traction and steering control.

*CONTINUED*

## Towing a Trailer

---

To achieve a proper tongue load, start by loading 60 percent of the load toward the front of the trailer and 40 percent toward the rear, then re-adjust the load as needed.

- **Gross Vehicle Weight Rating (GVWR):**

The total weight of the vehicle, all occupants, all cargo, *and* the tongue load must not exceed:

*Premium model*

4,400 lbs (1,995 kg)

*Type S*

4,475 lbs (2,030 kg)

- **Gross Axle Weight Rating (GAWR):**

The total weight of the vehicle, all occupants, all cargo, and the tongue load must not exceed:

*Premium model*

2,425 lbs (1,100 kg)

on the front axle

2,050 lbs (930 kg)

on the rear axle

*Type S*

2,470 lbs (1,120 kg)

on the front axle

2,050 lbs (930 kg)

on the rear axle

### **⚠ WARNING**

Exceeding load limits or improperly loading your vehicle and trailer can cause a crash in which you can be seriously injured or killed.

Check the loading of your vehicle and trailer carefully before starting to drive.

## **Checking Loads**

The best way to confirm that vehicle and trailer weights are within limits is to have them checked at a public scale.

Using a suitable scale or a special tongue load gauge, check the tongue load the first time you set up a towing combination (a fully-loaded vehicle and trailer), then recheck the tongue load whenever the conditions change.

## **Towing Equipment and Accessories**

Towing can require a variety of equipment, depending on the size of your trailer, how it will be used, and how much load you are towing.

Discuss your needs with your trailer sales or rental agency, and follow the guidelines in the rest of this section. Also make sure that all equipment is properly installed and that it meets federal, state, province, and local regulations.

### ***Hitches***

Any hitch used on your vehicle must be properly bolted to the underbody.

## ***Safety Chains***

Always use safety chains. Make sure they are secured to both the trailer and hitch, and that they cross under the tongue so they can catch the trailer if it becomes unhitched. Leave enough slack to allow the trailer to turn corners easily, but do not let the chains drag on the ground.

*CONTINUED*

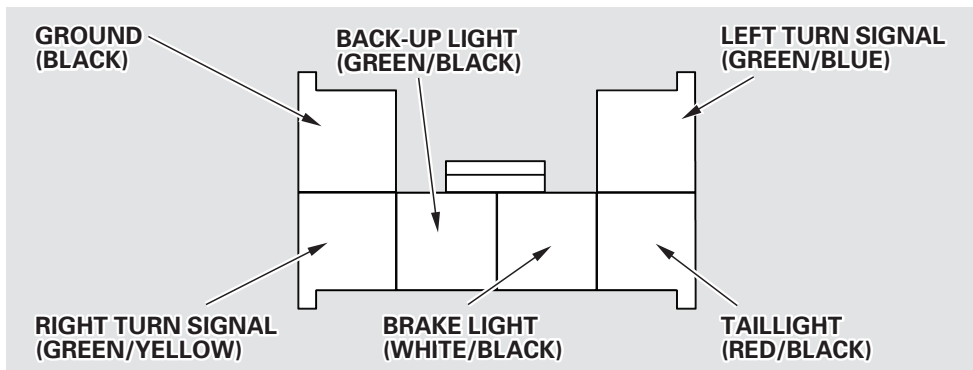
# Towing a Trailer

## *Trailer Brakes*

Acura recommends that any trailer having a total weight of 1,000 lbs (450 kg) or more be equipped with its own electric or surge-type brakes.

If you choose electric brakes, be sure they are electronically actuated. Do not attempt to tap into your vehicle's hydraulic system. No matter how successful it may seem, any attempt to attach trailer brakes to your vehicle's hydraulic system will lower braking effectiveness and create a potential hazard.

## *Trailer Lights*



Your car has a trailer lighting connector located in the trunk by the left taillight. To use the connector, undo the fastener and unscrew the cargo net mounting button on the left side of the trunk lining. Refer to the drawing in this page for the wiring color code and purpose of each pin.

If you use a converter, you can get the connector and pins that mate with the connector in your car from your Acura dealer.

Since lighting and wiring vary in trailer type and brand, you should also have a qualified mechanic install a suitable connector between the vehicle and the trailer.

### ***Additional Trailer Equipment***

Many states and Canadian provinces require special outside mirrors when towing a trailer. Even if they don't, you should install special mirrors if you cannot clearly see behind you, or if the trailer creates a blind spot.

Ask your trailer sales or rental agency if any other items are recommended or required for your towing situation.

### **Pre-Tow Checklist**

When preparing to tow, and before driving away, be sure to check the following:

- The vehicle has been properly serviced, and the tires, brakes, suspension, and cooling system are in good operating condition.
  - All weights and loads are within limits (see pages [201](#) and [202](#)).
  - The hitch, safety chains, and any other attachments are secure.
  - All items on and in the trailer are properly secured and cannot shift while you drive.
- The lights and brakes on your vehicle and the trailer are working properly.
  - Your vehicle tires and spare are properly inflated (see page [252](#)), and the trailer tires and spare are inflated as recommended by the trailer maker.



# Towing a Trailer

---

## Driving Safely With a Trailer

The added weight, length, and height of a trailer will affect your vehicle's handling and performance, so driving with a trailer requires some special driving skills and techniques.

For your safety and the safety of others, take time to practice driving maneuvers before heading for the open road, and follow the guidelines discussed below.

## Towing Speeds and Gears

Drive slower than normal in all driving situations, and obey posted speed limits for vehicles with trailers. Use the D5 or D4 position when towing a trailer on level roads. D3 is the proper shift lever position to use when towing a trailer in hilly terrain. (See “*Driving on Hills*” in the following column for additional gear information.)

When towing a trailer in the Sequential SportShift mode, select Fourth, Third, Second, or First gear; depending on the vehicle speeds and road condition. Do not use Fifth gear. The recommended speed range for each gear position is shown in the table.

Gear position	Speed range
1	0 – 37 mph (0 – 60 km/h)
2	12 – 68 mph (20 – 110 km/h)
3, 4	over 25 mph (over 40 km/h)

## Making Turns and Braking

Make turns more slowly and wider than normal. The trailer tracks a smaller arc than your vehicle, and it can hit or run over something the vehicle misses. Allow more time and distance for braking. Do not brake or turn suddenly as this could cause the trailer to jackknife or turn over.

## Driving on Hills

When climbing hills, closely watch your temperature gauge. If it nears the red (Hot) mark, turn the air conditioning off, reduce speed and, if necessary, pull to the side of the road to let the engine cool.

If the transmission shifts frequently between 4th and 5th gears while going up a hill, shift to D4. And if the transmission shifts frequently between 3rd and 4th gears, shift to D3.

If you must stop when facing uphill, use the foot brake or parking brake. Do not try to hold the vehicle in place by pressing on the accelerator, as this can cause the automatic transmission to overheat.

When driving down hills, reduce your speed and shift down to 2nd gear. Do not “ride” the brakes, and remember it will take longer to slow down and stop when towing a trailer.

### ***Handling Crosswinds and Buffeting***

Crosswinds and air turbulence caused by passing trucks can disrupt your steering and cause trailer swaying. When being passed by a large vehicle, keep a constant speed and steer straight ahead. Do not try to make quick steering or braking corrections.

### ***Backing Up***

Always drive slowly and have someone guide you when backing up. Grip the *bottom* of the steering wheel; then turn the wheel to the left to get the trailer to move to the left, and turn the wheel right to move the trailer to the right.

### ***Parking***

Follow all normal precautions when parking, including putting the transmission in Park and firmly setting the parking brake. Also, place wheel chocks at each of the trailer’s tires.



This section explains why it is important to keep your car well maintained and to follow basic maintenance safety precautions.

This section also includes Maintenance Schedules for normal driving and severe driving conditions, a Maintenance Record, and instructions for simple maintenance tasks you may want to take care of yourself.

If you have the skills and tools to perform more complex maintenance tasks on your Acura, you may want to purchase the Service Manual. See page 325 for information on how to obtain a copy, or see your Acura dealer.

Maintenance Safety.....	210	Wiper Blades.....	246
Important Safety Precautions ..	211	Air Conditioning System.....	248
Maintenance Schedule.....	212	Air Conditioning Filter.....	249
Required Maintenance Record ...	219	Drive Belts.....	249
Owner Maintenance Checks.....	221	Timing Belt.....	250
Fluid Locations.....	222	Tires .....	250
Engine Oil.....	223	Inflation.....	251
Adding Oil.....	223	Inspection .....	252
Recommended Oil.....	223	Maintenance.....	253
Synthetic Oil.....	224	Tire Rotation .....	254
Additives.....	225	Replacing Tires and Wheels ...	254
Changing the Oil and Filter.....	225	Wheels and Tires.....	255
Cooling System .....	228	Winter Driving .....	256
Adding Engine Coolant.....	228	Snow Tires.....	256
Replacing Engine Coolant .....	230	Traction Devices.....	256
Windshield Washers .....	233	Lights .....	257
Automatic Transmission Fluid....	234	Headlight Aiming .....	259
Brake Fluid.....	236	Replacing Bulbs .....	259
Brake System.....	236	Storing Your Car.....	267
Power Steering.....	237		
Hood Latch.....	237		
Air Cleaner Element.....	238		
Spark Plugs.....	240		
Replacement.....	240		
Specifications .....	242		
Battery .....	243		

## Maintenance Safety

---

Regularly maintaining your car is the best way to protect your investment. Proper maintenance is essential to your safety and the safety of your passengers. It will also reward you with more economical, trouble-free driving and help reduce air pollution.

### **⚠ WARNING**

Improperly maintaining this car or failing to correct a problem before driving can cause a crash in which you can be seriously hurt or killed.

Always follow the inspection and maintenance recommendations and schedules in this owner's manual.

This section includes instructions for simple maintenance tasks, such as checking and adding oil. Any service items not detailed in this section should be performed by an Acura technician or other qualified mechanic.

Some of the most important safety precautions are given here. However, we cannot warn you of every conceivable hazard that can arise in performing maintenance. Only you can decide whether or not you should perform a given task.

### **⚠ WARNING**

Failure to properly follow maintenance instructions and precautions can cause you to be seriously hurt or killed.

Always follow the procedures and precautions in this owner's manual.

### **Important Safety Precautions**

Before you begin any maintenance, make sure your car is parked on level ground and that the parking brake is set. Also, be sure the engine is off. This will help to eliminate several potential hazards:

- **Carbon monoxide poisoning from engine exhaust.** Be sure there is adequate ventilation whenever you operate the engine.
- **Burns from hot parts.** Let the engine and exhaust system cool before touching any parts.
- **Injury from moving parts.** Do not run the engine unless instructed to do so.

Read the instructions before you begin, and make sure you have the tools and skills required.

To reduce the possibility of fire or explosion, be careful when working around gasoline or batteries. Use a commercially available degreaser or parts cleaner, not gasoline, to clean parts. Keep cigarettes, sparks, and flames away from the battery and all fuel-related parts.

You should wear eye protection and protective clothing when working near the battery or when using compressed air.

# Maintenance Schedule

---

The Maintenance Schedule specifies how often you should have your car serviced and what things need attention. It is essential that you have your car serviced as scheduled to retain its high level of safety, dependability, and emissions control performance.

The services and time or distance intervals shown in the maintenance schedule assume you will use your vehicle as normal transportation for passengers and their possessions. You should also follow these recommendations:

- Avoid exceeding your car's load limit. This puts excess stress on the engine, brakes, and many other parts of your car. The load limit is shown on the label on the driver's doorjamb.
- Operate your car on reasonable roads within the legal speed limit.
- Drive your car regularly over a distance of several miles (kilometers).
- Always use unleaded gasoline with the proper octane rating (see page [164](#)).

## **Which Schedule to Follow:**

Service your car according to the time and mileage periods on one of the Maintenance Schedules on the following pages. Select the schedule for "Severe Conditions" if most of your driving is done under one or more of the conditions listed on that page. Otherwise, follow the schedule for "Normal Conditions."

Your authorized Acura dealer knows your car best and can provide competent, efficient service. However, service at a dealer is not mandatory to keep your warranties in effect. Maintenance may be done by any qualified service facility or person who is skilled in this type of automotive service. Keep all the receipts as proof of completion, and have the person who does the work fill out the Maintenance Record. Check your warranty booklet for more information.

We recommend the use of genuine Acura parts and fluids whenever you have maintenance done. These are manufactured to the same high-quality standards as the original components, so you can be confident of their performance and durability.

U.S. Cars:  
**Maintenance, replacement or repair of emissions control devices and systems may be done by any automotive repair establishment or individual using parts that are “certified” to EPA standards.**

According to state and federal regulations, failure to perform maintenance on the items marked with # will not void your emissions warranties. However, Acura recommends that all maintenance services be performed at the recommended time or mileage period to ensure long-term reliability.



Service at the indicated distance or time — whichever comes first.	miles x 1,000	15	30	45	60	75	90	105	120
	km x 1,000	24	48	72	96	120	144	168	192
	months	12	24	36	48	60	72	84	96
Replace engine oil	Replace every 7,500 miles (12,000 km) or 12 months								
Replace engine oil filter	●	●	●	●	●	●	●	●	●
Check engine oil and coolant	Check oil and coolant at each fuel stop								
Replace air cleaner element		●		●		●			●
Inspect valve clearance	Adjust only if noisy							●	
Replace spark plugs								●	
Replace timing belt, and inspect water pump								●	
Inspect and adjust drive belts		●		●		●			●
Inspect idle speed								●	
Replace engine coolant	120,000 miles (192,000 km) or 120 months, then every 60,000 miles (96,000 km) or 60 months								
Replace transmission fluid	120,000 miles (192,000 km) or 72 months, then every 90,000 miles (144,000 km) or 60 months								
Inspect front and rear brakes	●	●	●	●	●	●	●	●	●
Replace brake fluid	Every 36 months (independent of mileage)								
Check parking brake adjustment	●	●	●	●	●	●	●	●	●
Replace air conditioning filter		●		●		●			●
Rotate tires (Check tire inflation and condition at least once per month)	Rotate tires every 7,500 miles (12,000 km)								
<b>Visually inspect the following items:</b>									
Tie rod ends, steering gear box, and boots									
Suspension components									
Driveshaft boots									
Brake hoses and lines (including ABS)	●	●	●	●	●	●	●	●	●
All fluid levels and condition of fluids									
Cooling system hoses and connections									
# Exhaust system									
# Fuel lines and connections									

# : See information on maintenance and emissions warranty, last column, page 213.

### U.S. Owners

Follow the Normal Conditions Maintenance Schedule if the severe driving conditions specified in the Severe Conditions Maintenance Schedule do not apply.

NOTE: If you only *OCCASIONALLY* drive under a “severe” condition, you should follow the Normal Conditions Maintenance Schedule.

### Canadian Owners

Follow the Maintenance Schedule for Severe Conditions.

Service at the indicated distance or time, whichever comes first. Do the items in **A, B, C, D** as required for each distance/time interval.

**U.S. Owners** — Refer to page 214 to determine which schedule to use.

**Canadian Owners** — Use the Maintenance Schedule for Severe Conditions.

7,500 mi/12,000 km	Do items in A.
15,000 mi/24,000 km/1 yr	Do items in A, B.
22,500 mi/36,000 km	Do items in A.
30,000 mi/48,000 km/2 yrs	Do items in A, B, C.
37,500 mi/60,000 km	Do items in A.
45,000 mi/72,000 km/3 yrs	Do items in A, B, D.
52,500 mi/84,000 km	Do items in A.
60,000 mi/96,000 km/4 yrs	Do items in A, B, C.
67,500 mi/108,000 km	Do items in A.
75,000 mi/120,000 km/5 yrs	Do items in A, B.
82,500 mi/132,000 km	Do items in A.
90,000 mi/144,000 km/6 yrs	Do items in A, B, C, D.
97,500 mi/156,000 km	Do items in A.
105,000 mi/168,000 km/7 yrs	<input type="checkbox"/> Replace timing belt, and inspect water pump. <input type="checkbox"/> Inspect valve clearance. <input type="checkbox"/> Check idle speed. <input type="checkbox"/> Replace spark plugs. Do items in A, B.
112,500 mi/180,000 km	Do items in A.
120,000 mi/192,000 km/8 yrs	Do items in A, B, C.
120,000 mi/192,000 km/10 yrs	<input type="checkbox"/> Replace engine coolant, then replace every 60,000 mi/96,000 km/5 yrs.
120,000 mi/192,000 km/6 yrs	<input type="checkbox"/> Replace transmission fluid, then replace every 90,000 mi/144,000 km/5 yrs.

<b>A</b>	<input type="checkbox"/> Replace engine oil. <input type="checkbox"/> Rotate tires (follow pattern on page 254 ).
<b>B</b>	<input type="checkbox"/> Replace engine oil filter. <input type="checkbox"/> Inspect front and rear brakes. <input type="checkbox"/> Check parking brake adjustment. <input type="checkbox"/> Inspect tie rod ends, steering gear box and boots. <input type="checkbox"/> Inspect suspension components. <input type="checkbox"/> Inspect driveshaft boots. <input type="checkbox"/> Inspect brake hoses and lines (including ABS). <input type="checkbox"/> Check all fluid levels, condition of fluids, and check for leaks. <input type="checkbox"/> Inspect cooling system hoses and connections. <input type="checkbox"/> # Inspect exhaust system. <input type="checkbox"/> # Inspect fuel lines and connections.
<b>C</b>	<input type="checkbox"/> Replace air cleaner element. <input type="checkbox"/> Inspect and adjust drive belts. <input type="checkbox"/> Replace air conditioning filter.
<b>D</b>	<input type="checkbox"/> Replace brake fluid every 3 years (independent of mileage).

# : See information on maintenance and emissions warranty, last column, page 213 .

**NOTE:**

- Check engine oil and coolant at each fuel stop.
- Check and adjust valve clearance, cold engine, only if noisy.

Service at the indicated distance or time — whichever comes first.	miles x 1,000	15	30	45	60	75	90	105	120
	km x 1,000	24	48	72	96	120	144	168	192
	months	12	24	36	48	60	72	84	96
Replace engine oil and oil filter	Replace every 3,750 miles (6,000 km) or 6 months								
Check engine oil and coolant	Check oil and coolant at each fuel stop								
Clean (○)* <sup>1</sup> or replace (●) air cleaner element — Use normal schedule except in dusty conditions	○	●	○	●	○	●	○	●	
Inspect valve clearance	Adjust only if noisy								●
Replace spark plugs								●	
<sup>2</sup> Replace timing belt <sup>2</sup> , and inspect water pump								●	
Inspect and adjust drive belts		●		●		●		●	●
Inspect idle speed								●	
Replace engine coolant	120,000 miles (192,000 km) or 120 months, then every 60,000 miles (96,000 km) or 60 months								
Replace transmission fluid	60,000 miles (96,000 km) or 36 months, then every 30,000 miles (48,000 km) or 24 months								
Inspect front and rear brakes	Inspect every 7,500 miles (12,000 km) or 6 months								
Replace brake fluid	Every 36 months (independent of mileage)								
Check parking brake adjustment	●	●	●	●	●	●	●	●	●
Replace air conditioning filter <sup>*3</sup>	●	●	●	●	●	●	●	●	●
Lubricate all hinges, locks and latches	●	●	●	●	●	●	●	●	●
Rotate tires (Check tire inflation and condition at least once per month)	Rotate tires every 7,500 miles (12,000 km)								
<b>Visually inspect the following items:</b>									
Tie rod ends, steering gear box, and boots Suspension components Driveshaft boots	Every 7,500 miles (12,000 km) or 6 months								
Brake hoses and lines (including ABS) All fluid levels and conditions of fluids Cooling system hoses and connections	●	●	●	●	●	●	●	●	●
<sup>#</sup> Exhaust system									
<sup>#</sup> Fuel lines and connections									
Lights and controls, Vehicle underbody									

\* 1 : Premium model only

\* 2 : See Timing Belt on page 250 for replacement information under special driving conditions.

\* 3 : See Air Conditioning Filter on page 249 for replacement information under special driving conditions.

## U.S. Owners

Follow the Severe Conditions Maintenance Schedule if you drive your car *MAINLY* under one or more of the following conditions:

- Driving less than 5 miles (8 km) per trip or, in freezing temperatures, driving less than 10 miles (16 km) per trip.
- Driving in extremely hot [over 90°F (32°C)] conditions.
- Extensive idling or long periods of stop-and-go driving.
- Trailer towing, driving with a roof rack, or driving in mountainous conditions.
- Driving on muddy, dusty, or de-iced roads.

## Canadian Owners

Follow the Maintenance Schedule for Severe Conditions.

# : See information on maintenance and emissions warranty, last column, page 213.

Service at the indicated distance or time, whichever comes first. Do the items in **A, B, C, D, E** as required for each distance/time.

**U.S. Owners** — Refer to page 216 to determine which schedule to use.

**Canadian Owners** — Use the Maintenance Schedule for Severe Conditions.

3,750 mi/6,000 km	Do items in A.
7,500 mi/12,000 km	Do items in A, B.
11,250 mi/18,000 km	Do items in A.
15,000 mi/24,000 km/1 yr	<input type="checkbox"/> Clean air cleaner element.* <sup>1</sup> Do items in A, B, C.
18,750 mi/30,000 km	Do items in A.
22,500 mi/36,000 km	Do items in A, B.
26,250 mi/42,000 km	Do items in A.
30,000 mi/48,000 km/2 yrs	Do items in A, B, C, D.
33,750 mi/54,000 km	Do items in A.
37,500 mi/60,000 km	Do items in A, B.
41,250 mi/66,000 km	Do items in A.
45,000 mi/72,000 km/3 yrs	<input type="checkbox"/> Clean air cleaner element.* <sup>1</sup> Do items in A, B, C, E.
48,750 mi/78,000 km	Do items in A.
52,500 mi/84,000 km	Do items in A, B.
56,250 mi/90,000 km	Do items in A.
60,000 mi/96,000 km/4 yrs	<input type="checkbox"/> # Replace timing belt* <sup>2</sup> , and inspect water pump. Do items in A, B, C, D.
60,000 mi/96,000 km/3 yrs	<input type="checkbox"/> Replace transmission fluid.
63,750 mi/102,000 km	Do items in A.
67,500 mi/108,000 km	Do items in A, B.
71,250 mi/114,000 km	Do items in A.
75,000 mi/120,000 km/5 yrs	<input type="checkbox"/> Clean air cleaner element.* <sup>1</sup> Do items in A, B, C.
78,750 mi/126,000 km	Do items in A.

\* 1 : Premium model only

\* 2 : See Timing Belt on page 250 for replacement information under special driving conditions.

\* 3 : See Air Conditioning Filter on page 249 for replacement information under special driving conditions.

<b>A</b>	<input type="checkbox"/> Replace engine oil and filter.
<b>B</b>	<input type="checkbox"/> Inspect front and rear brakes. <input type="checkbox"/> Rotate tires (follow pattern on page 254 ). <input type="checkbox"/> Inspect tie rod ends, steering gear box and boots. <input type="checkbox"/> Inspect suspension components. <input type="checkbox"/> Inspect driveshaft boots.
<b>C</b>	<input type="checkbox"/> Check parking brake adjustment. <input type="checkbox"/> Lubricate all hinges, locks and latches with multipurpose grease. <input type="checkbox"/> Inspect brake hoses and lines (including ABS). <input type="checkbox"/> Check all fluid levels, condition of fluids, and check for leaks. <input type="checkbox"/> Inspect cooling system hoses and connections. <input type="checkbox"/> # Inspect exhaust system. <input type="checkbox"/> # Inspect fuel lines and connections. <input type="checkbox"/> Check all lights. <input type="checkbox"/> Inspect the underbody.
<b>D</b>	<input type="checkbox"/> Replace air cleaner element. <input type="checkbox"/> Inspect and adjust drive belts. <input type="checkbox"/> Replace air conditioning filter* <sup>3</sup> .
<b>E</b>	<input type="checkbox"/> Replace brake fluid every 3 years (independent of mileage).

# : See information on maintenance and emissions warranty, last column, page 213.

NOTE:

- Check engine oil and coolant at each fuel stop.
- Check and adjust valve clearance, cold engine, only if noisy.

82,500 mi/132,000 km	Do items in A, B.
86,250 mi/138,000 km	Do items in A.
90,000 mi/144,000 km/6 yrs	Do items in A, B, C, D, E.
90,000 mi/144,000 km/5 yrs	<input type="checkbox"/> Replace transmission fluid.
93,750 mi/150,000 km	Do items in A.
97,500 mi/156,000 km	Do items in A, B.
101,250 mi/162,000 km	Do items in A.
105,000 mi/168,000 km/7 yrs	<input type="checkbox"/> Replace timing belt <sup>*2</sup> , and inspect water pump. <input type="checkbox"/> Check idle speed. <input type="checkbox"/> Clean air cleaner element. <sup>*1</sup> <input type="checkbox"/> Replace spark plugs. <input type="checkbox"/> Inspect valve clearance. Do items in A, B, C.
108,750 mi/174,000 km	Do items in A.
112,500 mi/180,000 km	Do items in A, B.
116,250 mi/186,000 km	Do items in A.
120,000 mi/192,000 km/8 yrs	<input type="checkbox"/> Replace timing belt <sup>*2</sup> , and inspect water pump. Do items in A, B, C, D.
120,000 mi/192,000 km/10 yrs	<input type="checkbox"/> Replace engine coolant, then replace every 60,000 mi/96,000 km/5 yrs.
120,000 mi/192,000 km/7 yrs	<input type="checkbox"/> Replace transmission fluid.

# : See information on maintenance and emissions warranty, last column, page 213.

\* 1 : Premium model only

\* 2 : See Timing Belt on page 250 for replacement information under special driving conditions.

\* 3 : See Air Conditioning Filter on page 249 for replacement information under special driving conditions.

NOTE:

- Check engine oil and coolant at each fuel stop.
- Check and adjust valve clearance, cold engine, only if noisy.

# Required Maintenance Record (for Normal and Severe Schedules)

You or the servicing dealer can record all completed maintenance here, whether you follow the schedule for normal conditions (page 214) or severe conditions (page 216). Keep the receipts for all work done on your car.

<b>3,750 mi</b> 6,000 km	Signature or dealer stamp	mi/km
		Date
<b>7,500 mi</b> 12,000 km		mi/km
		Date
<b>11,250 mi</b> 18,000 km		mi/km
		Date
<b>15,000 mi</b> 24,000 km (or 1 year)		mi/km
		Date
<b>18,750 mi</b> 30,000 km		mi/km
		Date
<b>22,500 mi</b> 36,000 km		mi/km
		Date
<b>26,250 mi</b> 42,000 km		mi/km
		Date
<b>30,000 mi</b> 48,000 km (or 2 years)		mi/km
		Date

<b>33,750 mi</b> 54,000 km	Signature or dealer stamp	mi/km
		Date
<b>37,500 mi</b> 60,000 km		mi/km
		Date
<b>41,250 mi</b> 66,000 km		mi/km
		Date
<b>45,000 mi</b> 72,000 km (or 3 years)		mi/km
		Date
<b>48,750 mi</b> 78,000 km		mi/km
		Date
<b>52,500 mi</b> 84,000 km		mi/km
		Date
<b>56,250 mi</b> 90,000 km		mi/km
		Date
<b>60,000 mi</b> 96,000 km (or 4 years)		mi/km
		Date

## Required Maintenance Record (for Normal and Severe Schedules)

---

<b>63,750 mi</b> 102,000 km	Signature or dealer stamp	mi/km
		Date
<b>67,500 mi</b> 108,000 km		mi/km
		Date
<b>71,250 mi</b> 114,000 km		mi/km
		Date
<b>75,000 mi</b> 120,000 km (or 5 years)		mi/km
		Date
<b>78,750 mi</b> 126,000 km		mi/km
		Date
<b>82,500 mi</b> 132,000 km		mi/km
		Date
<b>86,250 mi</b> 138,000 km		mi/km
		Date
<b>90,000 mi</b> 144,000 km (or 6 years)		mi/km
		Date

<b>93,750 mi</b> 150,000 km	Signature or dealer stamp	mi/km
		Date
<b>97,500 mi</b> 156,000 km		mi/km
		Date
<b>101,250 mi</b> 162,000 km		mi/km
		Date
<b>105,000 mi</b> 168,000 km (or 7 years)		mi/km
		Date
<b>108,750 mi</b> 174,000 km		mi/km
		Date
<b>112,500 mi</b> 180,000 km		mi/km
		Date
<b>116,250 mi</b> 186,000 km		mi/km
		Date
<b>120,000 mi</b> 192,000 km (or 8 years)		mi/km
		Date

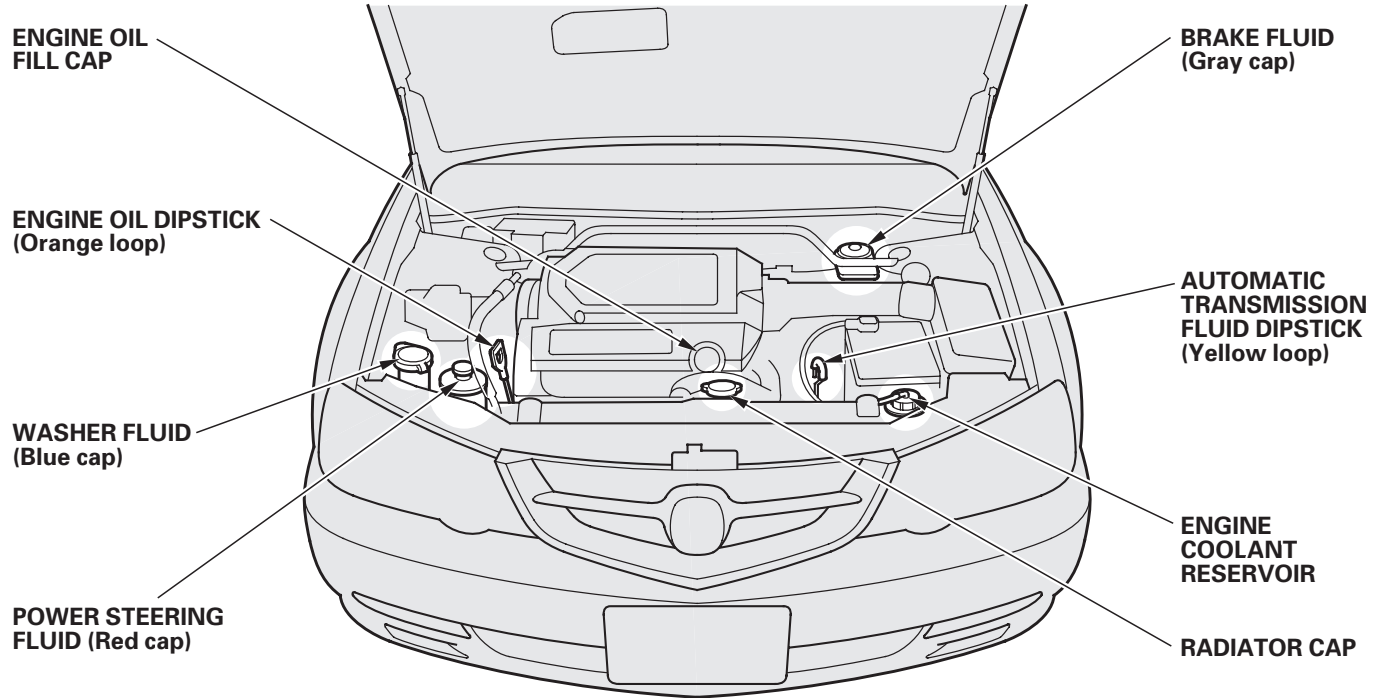
You should check the following items at the specified intervals. If you are unsure of how to perform any check, turn to the page given.

- Engine oil level — Check every time you fill the fuel tank. See page [168](#) .
- Engine coolant level — Check the radiator reserve tank every time you fill the fuel tank. See page [169](#) .
- Windshield washer fluid — Check the level in the reservoir monthly. If weather conditions cause you to use the washers frequently, check the reservoir each time you stop for fuel. See page [233](#) .
- Automatic transmission — Check the fluid level monthly. See page [234](#) .
- Brakes — Check the fluid level monthly. See page [236](#) .
- Tires — Check the tire pressure monthly. Examine the tread for wear and foreign objects. See page [250](#) .
- Lights — Check the operation of the headlights, parking lights, taillights, high-mount brake light, turn signals, brake lights, and license plate lights monthly. See page [257](#) .

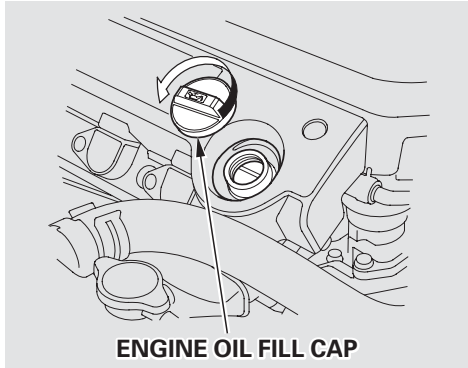


# Fluid Locations

---



## Adding Oil



To add oil, unscrew and remove the engine oil fill cap on top of the valve cover. Pour in the oil, and install the engine oil fill cap. Tighten it securely. Wait a few minutes and recheck the oil level. Do not fill above the upper mark; you could damage the engine.

## Recommended Oil

Oil is major contributor to your engine's performance and longevity. Always use a premium-grade detergent oil displaying the API Certification Seal. This seal indicates the oil is energy conserving, and that it meets the American Petroleum Institute's latest requirements. It is highly recommended that you use Honda Motor Oil in your vehicle for as long as you own it.

Make sure the API Certification Seal says "For Gasoline Engines."

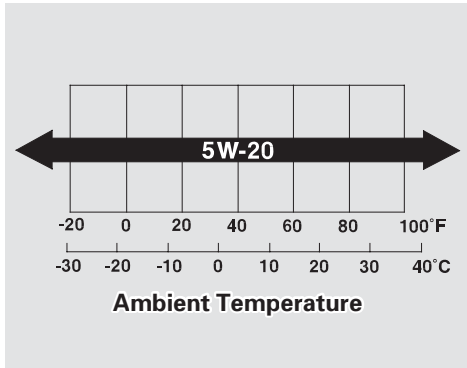


*CONTINUED*

# Engine Oil

---

The numbers on the container's label tell you the oil's viscosity or weight. Select the oil for your vehicle according to this chart.



5W-20 oil is formulated for year-round protection of your Acura, to improve cold weather starting, and to help your engine use less fuel.

If 5W-20 oil is not available, a 5W-30 oil may be used. However, it should be replaced with 5W-20 at the next oil change.

## Synthetic Oil

You may use a synthetic motor oil if it meets the same requirements given for a conventional motor oil: it displays the API Certification Seal, and it is the proper weight as shown on the chart. When using synthetic oil, you must follow the oil and filter change intervals given in the maintenance schedule.

### **Additives**

Your Acura does not need any oil additives. Purchasing additives for the engine or transmission will not increase your car's performance or longevity. It only increases the cost of operating your car.

### **Changing the Oil and Filter**

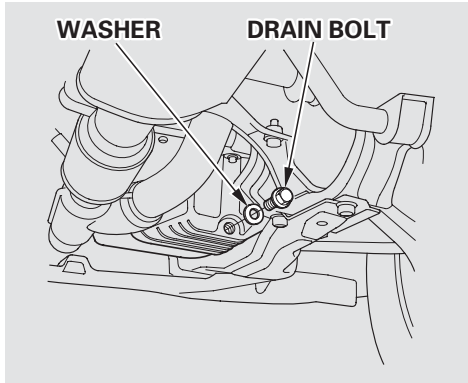
Always change the oil and filter according to the time and distance (miles/kilometers) recommendations in the maintenance schedule. The oil and filter collect contaminants that can damage your engine if they are not removed regularly.

Changing the oil and filter requires special tools and access from underneath the car. The car should be raised on a service station-type hydraulic lift for this service. Unless you have the knowledge and proper equipment, you should have this maintenance done by a skilled mechanic.

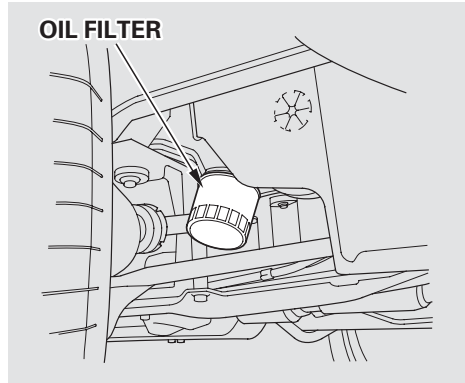
1. Run the engine until it reaches normal operating temperature, then shut it off.

*CONTINUED*

# Engine Oil



2. Open the hood and remove the engine oil fill cap. Remove the oil drain bolt and washer from the bottom of the engine. Drain the oil into an appropriate container.



3. Remove the oil filter and let the remaining oil drain. A special wrench (available from your Acura dealer) is required to remove the filter.

4. Install a new oil filter according to instructions that come with it.
5. Put a new washer on the drain bolt, then reinstall the drain bolt. Tighten it to:  
**29 lbf·ft (39 N·m , 4.0 kgf·m)**

6. Refill the engine with the recommended oil.  
Engine oil change capacity  
(including filter):  
4.6 US qt (4.4 ℓ , 3.9 Imp qt)

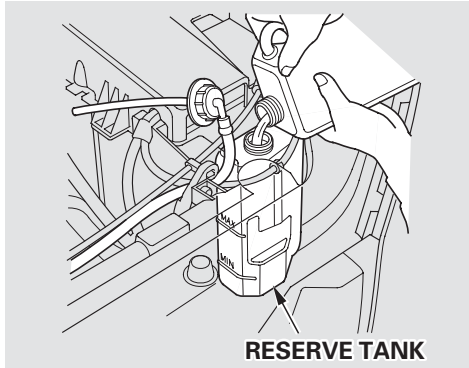
7. Replace the engine oil fill cap.  
Start the engine. The oil pressure indicator light should go out within five seconds. If it does not, turn off the engine and reinspect your work.
8. Let the engine run for several minutes and check the drain bolt and oil filter for leaks.
9. Turn off the engine, let it sit for several minutes, then check the oil level. If necessary, add oil to bring the level to the upper mark on the dipstick.

### NOTICE

*Improper disposal of engine oil can be harmful to the environment. If you change your own oil, please dispose of the used oil properly. Put it in a sealed container and take it to a recycling center. Do not discard it in a trash bin or dump it on the ground.*

# Cooling System

## Adding Engine Coolant



If the coolant level in the reserve tank is at or below the MIN line, add coolant to bring it up to the MAX line. Inspect the cooling system for leaks. This coolant should always be a mixture of 50 percent antifreeze and 50 percent water. Never add straight antifreeze or plain water.

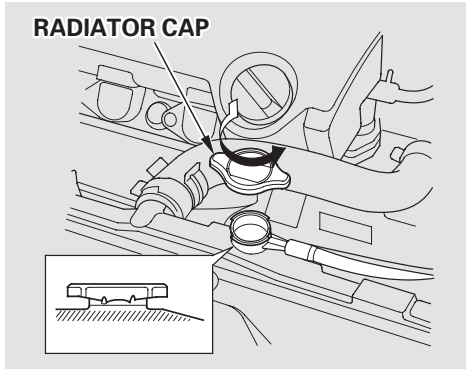
Always use Honda All Season Antifreeze/Coolant Type 2. This coolant is pre-mixed with 50 percent antifreeze and 50 percent water. It does not require any additional mixing. If it is not available, you may use another major-brand non-silicate coolant as a temporary replacement. Make sure it is a high-quality coolant recommended for aluminum engines. However, continued use of any non-Honda coolant can result in corrosion, causing the cooling system to malfunction or fail. Have the cooling system flushed and refilled with Honda antifreeze/coolant as soon as possible.

If the reserve tank is completely empty, you should also check the coolant level in the radiator.

### **⚠ WARNING**

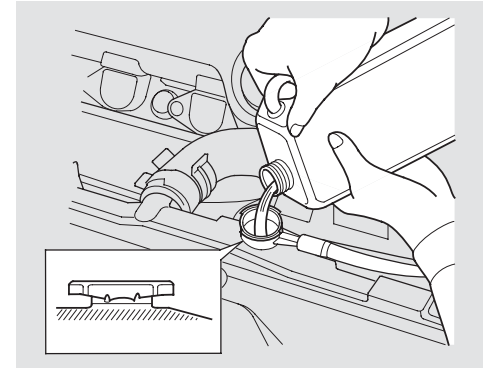
Removing the radiator cap while the engine is hot can cause the coolant to spray out, seriously scalding you.

Always let the engine and radiator cool down before removing the radiator cap.



1. Make sure the engine and radiator are cool.
2. Turn the radiator cap counterclockwise, without pressing down on it, until it stops. This relieves any pressure remaining in the cooling system.

3. Remove the radiator cap by pushing down and turning counterclockwise.



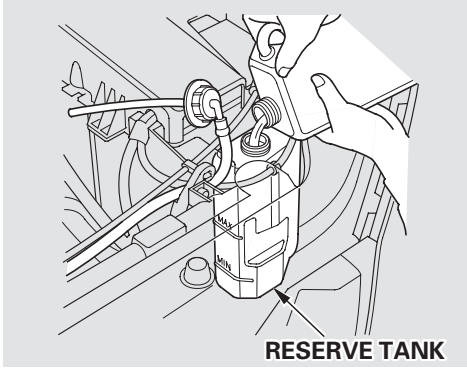
4. The coolant level should be up to the base of the filler neck. Add coolant if it is low.
5. Put the radiator cap back on. Tighten it fully.

*CONTINUED*



## Cooling System

---



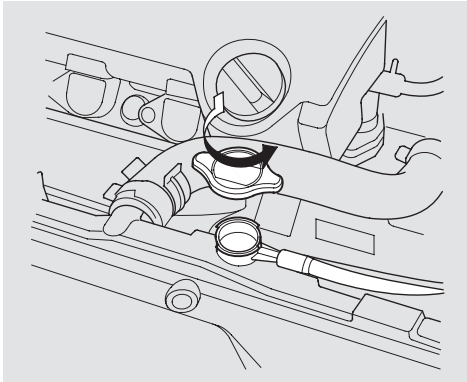
6. Pour coolant into the reserve tank. Fill it to halfway between the MAX and MIN marks. Put the cap back on the reserve tank.

Do not add any rust inhibitors or other additives to your car's cooling system. They may not be compatible with the coolant or engine components.

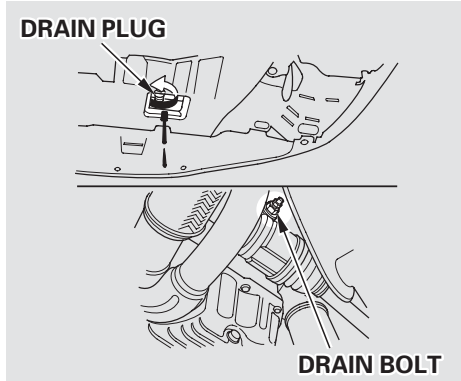
### Replacing Engine Coolant

The cooling system should be completely drained and refilled with new coolant according to the time and distance recommendations in the maintenance schedule. Only use Honda All Season Antifreeze/Coolant Type 2. Use of any non-Honda coolant or plain water can result in corrosion and deposits in the cooling system.

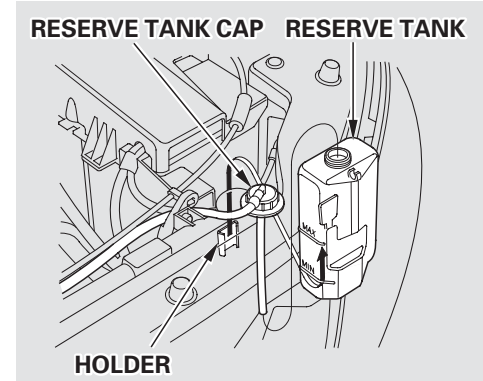
Draining the coolant requires access to the underside of the car. Unless you have the tools and knowledge, you should have this maintenance done by a skilled mechanic.



1. Turn the ignition ON (II). Turn the heater temperature control dial to maximum heat (climate control to 90°F/32°C). Turn off the ignition. Open the hood. Make sure the engine and radiator are cool to the touch.
2. Remove the radiator cap.



3. Loosen the drain plug on the bottom of the radiator. The coolant will drain through the splash guard.
4. Install a rubber hose on the drain bolt at the rear of the engine cylinder block. Loosen the drain bolt.



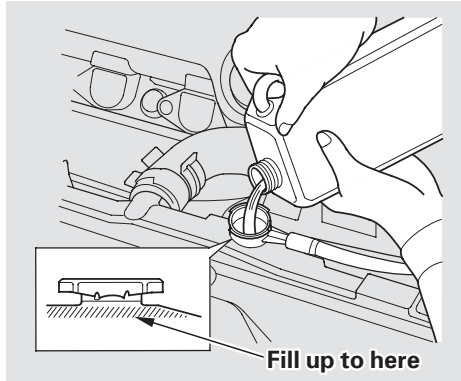
5. Remove the reserve tank from its holder by pulling it straight up. Drain the coolant, then put the tank back in its holder.
6. When the coolant stops draining, tighten the drain plug at the bottom of the radiator.

*CONTINUED*

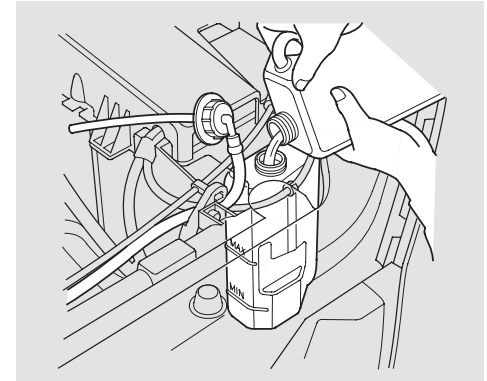
## Cooling System

7. Tighten the drain bolt at the rear of the engine cylinder block securely.

Tightening torque:  
7 lbf·ft (9.8 N·m , 1.0 kgf·m)



8. Pour Honda All Season Antifreeze/Coolant Type 2 into the radiator up to the base of the filler neck. This coolant is a mixture of 50 percent antifreeze and 50 percent water. Pre-mixing is not required.  
The cooling system capacity is:  
1.48 US gal (5.6 ℓ , 1.23 Imp gal)
9. Start the engine and let it run for about 30 seconds. Then turn off the engine. Pour coolant into the



- radiator up to the base of the filler neck.
10. Fill the reserve tank to the MAX mark. Install the reserve tank cap.
11. Install the radiator cap, and tighten it to the first stop.

12. Start the engine and let it run until the radiator cooling fan comes on at least twice. Then stop the engine.
13. Remove the radiator cap. Pour coolant into the radiator up to the base of the filler neck and into the reserve tank up to the MAX mark.
14. Start the engine and hold it at 1,500 rpm until the cooling fan comes on. Turn off the engine. Check the coolant level in the radiator and add coolant if needed.
15. Install the radiator cap, and tighten it fully.

16. If necessary, fill the reserve tank to the MAX mark. Install the reserve tank cap.

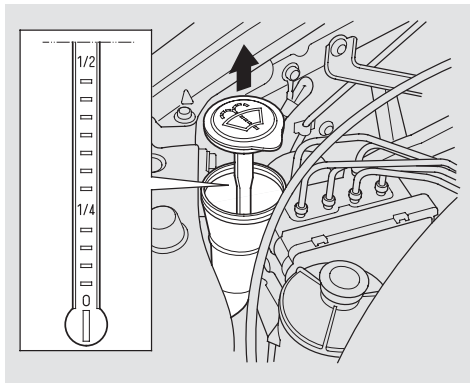
### **Windshield Washers**

Check the level in the windshield washer reservoir at least monthly during normal usage. In bad weather, when you use the washers often, check the level every time you stop for fuel.

The windshield washer reservoir is located behind the passenger's side headlight.

*CONTINUED*

## Windshield Washers, Automatic Transmission Fluid



Check the reservoir's fluid level by removing the cap and looking at the level gauge attached to the cap.

### **Canadian Models**

The low washer level indicator will light when the level is low (see page 63).

Fill the reservoir with a good-quality windshield washer fluid. This increases the cleaning capability and prevents freezing in cold weather.

### **NOTICE**

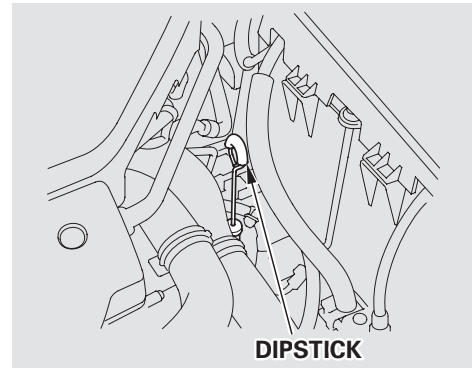
*Do not use engine antifreeze or a vinegar/water solution in the windshield washer reservoir.*

*Antifreeze can damage your car's paint, while a vinegar/water solution can damage the windshield washer pump.*

*Use only commercially-available windshield washer fluid.*

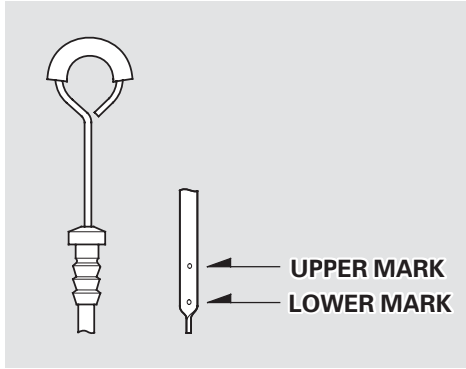
When you refill the reservoir, clean the edges of the windshield wiper blades with windshield washer fluid on a clean cloth. This will help to condition the blade edges.

### **Automatic Transmission Fluid**



Check the fluid level with the engine at normal operating temperature.

1. Park the car on level ground. Shut off the engine.
2. Remove the dipstick (yellow loop) from the transmission and wipe it with a clean cloth.



3. Insert the dipstick all the way into the transmission securely as shown in the illustration.
4. Remove the dipstick and check the fluid level. It should be between the upper and lower marks.

5. If the level is below the lower mark, remove the fill plug and add fluid to bring it to the upper mark.

Always use Honda ATF-Z1 (Automatic Transmission Fluid). If it is not available, you may use a DEXRON® III automatic transmission fluid as a temporary replacement. However, continued use can affect shift quality. Have the transmission flushed and refilled with Honda ATF-Z1 as soon as it is convenient.

To thoroughly flush the transmission, the technician should drain and refill it with Honda ATF-Z1, then drive the vehicle a short distance. Do this three times. Then drain and refill the transmission a final time.

6. Insert the dipstick all the way back into the transmission securely as shown in the illustration.

The transmission should be drained and refilled with new fluid according to the time and distance recommendations in the maintenance schedule.

If you are not sure how to add fluid, contact your Acura dealer.

# Brake Fluid

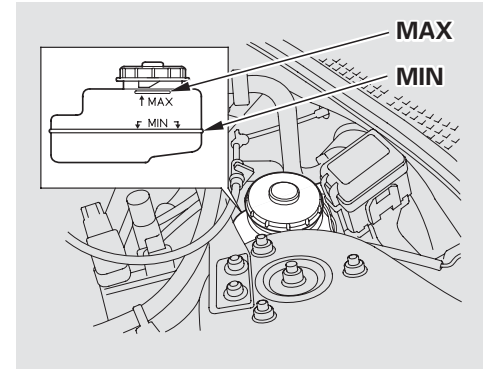
Check the fluid level in the brake fluid reservoir monthly.

The brake fluid should be replaced according to the time recommendation in the maintenance schedule.

Always use Honda Heavy Duty Brake Fluid DOT 3. If it is not available, you should use only DOT 3 or DOT 4 fluid, from a sealed container, as a temporary replacement. However, the use of any non-Honda brake fluid can cause corrosion and decrease the life of the system. Have the brake system flushed and refilled with Honda Heavy Duty Brake Fluid DOT 3 as soon as possible.

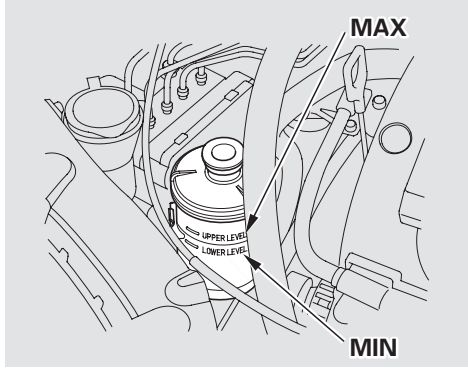
Brake fluid marked DOT 5 is not compatible with your car's braking system and can cause extensive damage.

## Brake System



The fluid level should be between the MIN and MAX marks on the side of the reservoir. If the level is at or below the MIN mark, your brake system needs attention. Have the brake system inspected for leaks or worn brake pads.

## Power Steering



Check the level when the engine is cold. Look at the side of the reservoir. The fluid should be between the UPPER LEVEL and LOWER LEVEL. If it is below the LOWER LEVEL, add power steering fluid to the UPPER LEVEL.

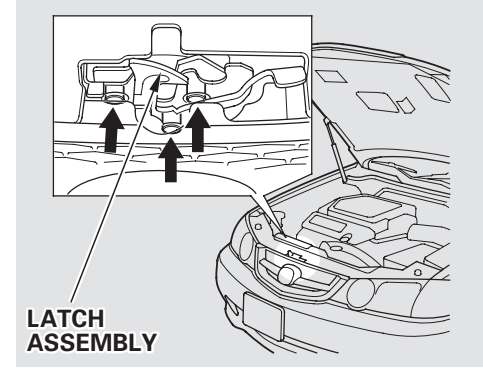
Always use Honda Power Steering Fluid. If it is not available, you may use another power steering fluid as an emergency replacement. However, continued use can cause increased wear and poor steering in cold weather. Have the power steering system flushed and refilled with Honda PSF as soon as possible.

A low power steering fluid level can indicate a leak in the system. Check the fluid level frequently and have the system inspected as soon as possible.

### NOTICE

*Turning the steering wheel to full left or right lock and holding it there can damage the power steering pump.*

## Hood Latch



Clean the hood latch assembly with a mild cleaner, then lubricate it with a multipurpose grease. Lubricate all the moving parts (as shown), including the pivot. Follow the time and distance recommendations in the Maintenance Schedule. If you are not sure how to clean and grease the latch, contact your Acura dealer.



## Air Cleaner Element

The air cleaner element should be cleaned or replaced according to the time and distance recommendations in the maintenance schedule.

### Cleaning (Severe Conditions)

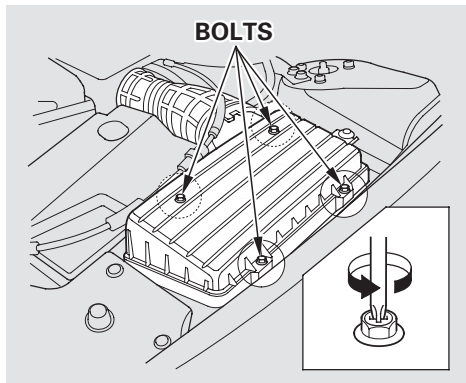
*On Premium model*

Clean the air cleaner element by blowing compressed air through it in the opposite direction to normal air flow. If you do not have access to compressed air (such as a service station), ask your Acura dealer to do this service.

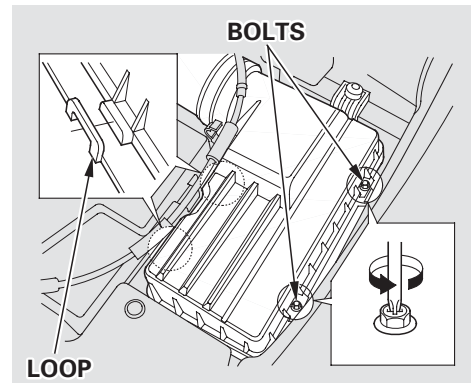
Follow the replacement procedure for removal and reinstallation.

### Replacement

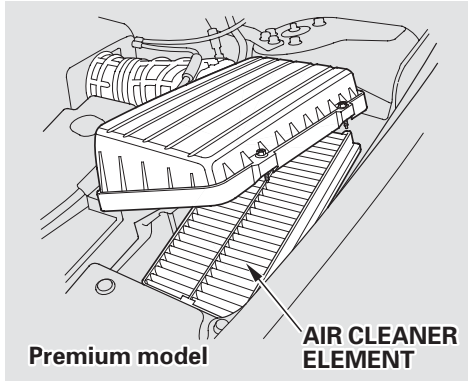
The air cleaner element is inside the air cleaner housing on the driver's side of the engine compartment. To replace it:



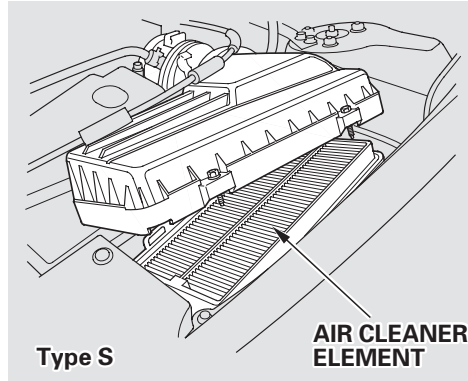
1. *On Premium model*  
Loosen the four bolts by using a Phillips-head screwdriver and remove the air cleaner housing cover.



1. *On Type S*  
Loosen the two bolts with a Phillips-head screwdriver. Remove the air cleaner housing cover by lifting and pivoting it out of the loops.



2. Remove the old air cleaner element.



3. Carefully clean the inside of the air cleaner housing with a damp rag.
4. Place the new air cleaner element in the air cleaner housing.

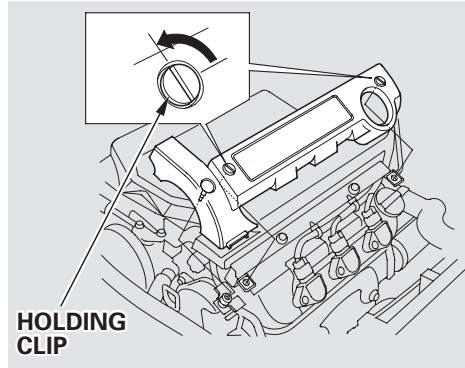
5. *On Premium model*  
Reinstall the air cleaner housing cover, tighten the four bolts.

*On Type S*  
Align the tabs on the battery side and reinstall the air cleaner housing cover, then tighten the two bolts.

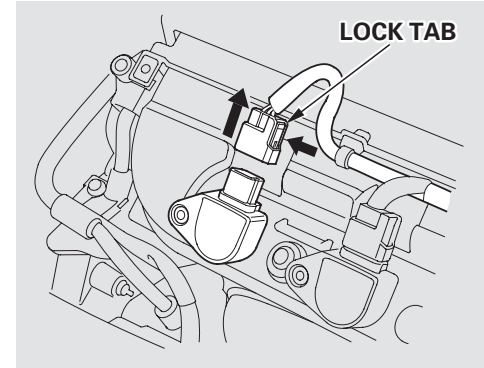
# Spark Plugs

The spark plugs in your car are a special platinum-tipped design for longer life. The spark plugs should be replaced according to the time and distance recommendations in the maintenance schedule.

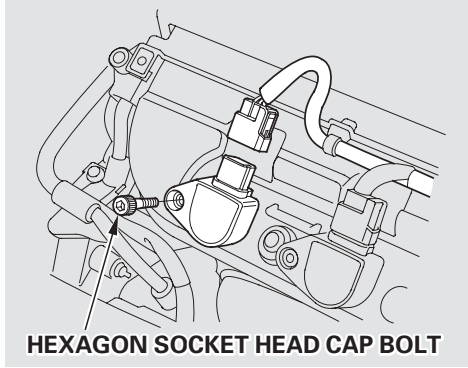
## Replacement



1. Loosen the two holding clips by turning the heads one-quarter turn counterclockwise with a flat-tipped screwdriver. Remove the cover on the front cylinder bank by pulling it straight up.
2. Clean up any dirt and oil that have collected around the ignition coils.

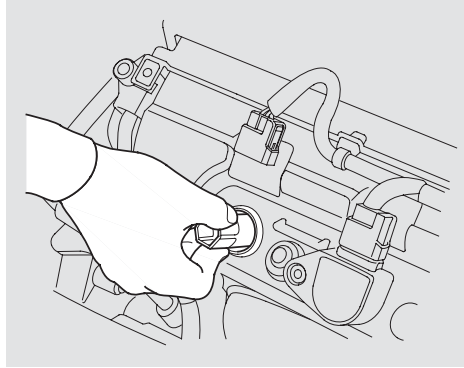


3. Disconnect the wire connector from the ignition coil by pushing on the lock tab and pulling on the connector. Pull on the plastic connector, not the wires.

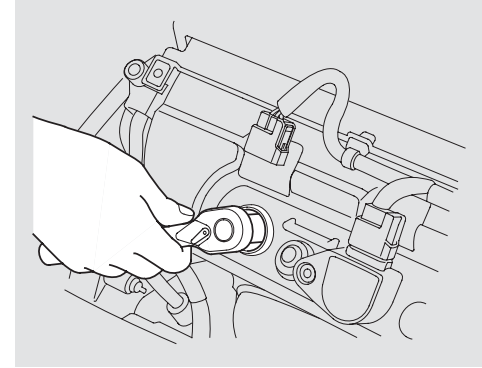


**HEXAGON SOCKET HEAD CAP BOLT**

4. Use a wrench to remove the hexagon socket head cap bolt holding the ignition coil. Remove the ignition coil by pulling it straight out.
5. Remove the spark plug with a five-eighths inch (16 mm) spark plug socket.



6. Put the new spark plug into the socket; then screw it into the hole. Screw it in by hand so you do not crossthead it.



7. Torque the spark plug. (If you do not have a torque wrench, tighten the spark plug two-thirds of a turn after it contacts the cylinder head.)  
Tightening torque:  
13 lbf·ft (18 N·m , 1.8 kgf·m)

*CONTINUED*

# Spark Plugs

---

## NOTICE

*Tighten the spark plugs carefully. A spark plug that is too loose can overheat and damage the engine. Overtightening can cause damage to the threads in the cylinder head.*

8. Install the ignition coil. Reinstall the hexagon socket head cap bolt.
9. Push the wire connector onto the ignition coil. Make sure it locks in place.

10. Repeat this procedure for the other five spark plugs.
11. Reinstall the cover on the front cylinder bank while putting its mounting clip in the hole on the passenger's side. Secure the cover by turning the heads of the two holding clips one-quarter turn clockwise with a flat-tipped screwdriver.

## Specifications:

### *Premium model*

NGK: PZFR5F-11

DENSO: PKJ16CR-L11

Spark Plug Gap:

0.04 in (1.1 mm)<sup>+0</sup><sub>-0.1 mm</sub>

### *Type S*

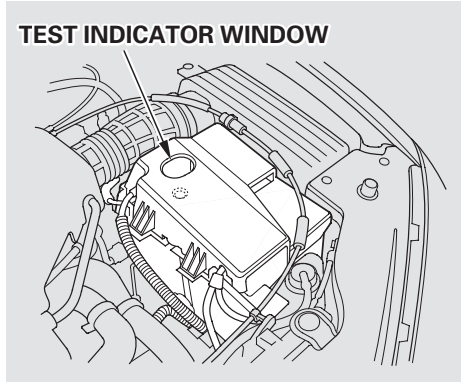
NGK: PZFR6E-11

DENSO: PKJ20CR-M11

Spark Plug Gap:

0.04 in (1.1 mm)<sup>+0</sup><sub>-0.1 mm</sub>

Check the condition of your car's battery monthly. You should check the color of the test indicator window, and for corrosion on the terminals.



Remove the battery cover.

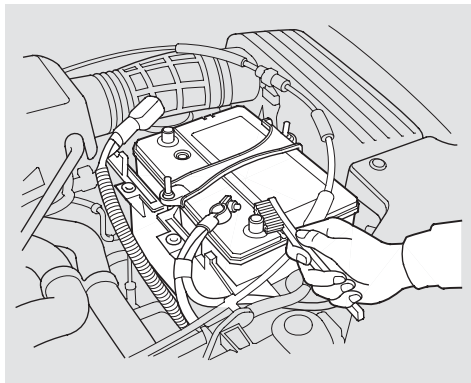
Check the battery condition by looking at the test indicator window on the battery. The label on the battery explains the test indicator's colors.

Check the battery terminals for corrosion (a white or yellowish powder). To remove it, cover the terminals with a solution of baking soda and water. It will bubble up and turn brown. When this stops, wash it off with plain water. Dry off the battery with a cloth or paper towel. Coat the terminals with grease to help prevent future corrosion.

**WARNING:** Battery posts, terminals and related accessories contain lead and lead compounds. **Wash hands after handling.**

*CONTINUED*

## Battery



If the terminals are severely corroded, clean them with baking soda and water. Then use a wrench to loosen and remove the cables from the terminals. Always disconnect the negative (–) cable first and reconnect it last. Clean the battery terminals with a terminal cleaning tool or wire brush. Reconnect and tighten the cables, then coat the terminals with grease.

If you need to connect the battery to a charger, disconnect both cables to prevent damage to the car's electrical system.

### **⚠ WARNING**

The battery gives off explosive hydrogen gas during normal operation.

A spark or flame can cause the battery to explode with enough force to kill or seriously hurt you.

Wear protective clothing and a face shield, or have a skilled mechanic do the battery maintenance.

If your car's battery is disconnected or goes dead, the audio system will disable itself. The next time you turn on the radio you will see "Code" in the frequency display. Use the Preset buttons to enter the five-digit code (see page [151](#) ).

## NOTICE

*Charging the battery with the cables connected can seriously damage your car's electronic controls. Detach the battery cables before connecting the battery to a charger.*

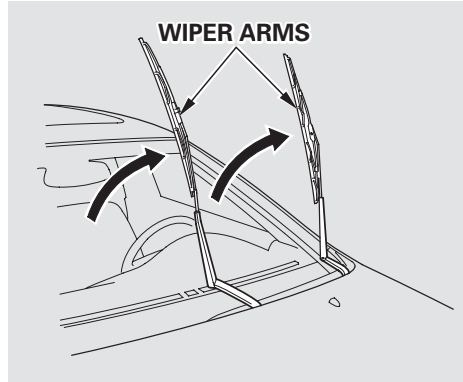
If your car's battery is disconnected or goes dead, all stored driving positions will be lost. To store the driving positions again, see the storing procedure on page [96](#) .

*Cars with Navigation System*  
The Navigation System will also disable itself. The next time you turn on the ignition switch, the system will require you to enter a PIN before it can be used. Refer to the Navigation System Owner's Manual.



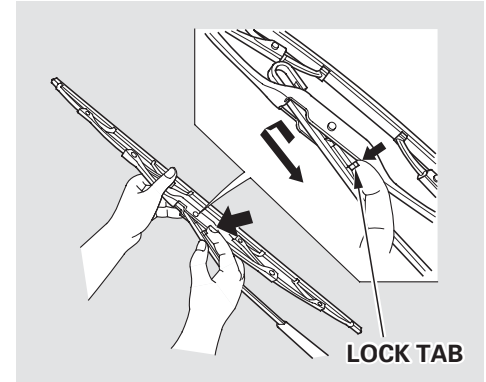
# Wiper Blades

Check the condition of the wiper blades at least every six months. Look for signs of cracking in the rubber, or areas that are getting hard. Replace the blades if you find these signs, or they leave streaks and unwiped areas when used.

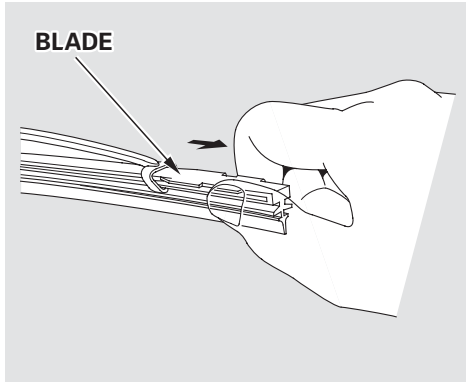


To replace the blade:

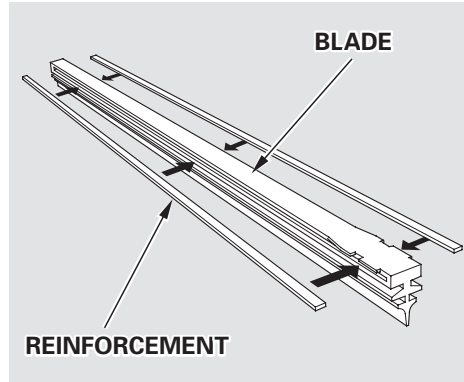
1. Turn the ignition ON (II), switch the wipers to INT or — (low position), then turn the ignition OFF when the wiper arm is approximately midway in its travel.
2. Raise the wiper arm off the windshield.



3. Disconnect the blade assembly from the wiper arm by pushing in the lock tab. Hold it in while you push the blade assembly toward the base of the arm.



4. Remove the blade from its holder by grasping the tabbed end of the blade. Pull firmly until the tabs come out of the holder.



5. Examine the new wiper blades. If they have no plastic or metal reinforcement along the back edge, remove the metal reinforcement strips from the old wiper blade and install them in the slots along the edge of the new blade.

6. Slide the new wiper blade into the holder until the tabs lock.
7. Slide the wiper blade assembly onto the wiper arm. Make sure it locks in place.
8. Lower the wiper arm down against the windshield.
9. Turn the ignition switch ON (II) and return the windshield wipers to their park position.

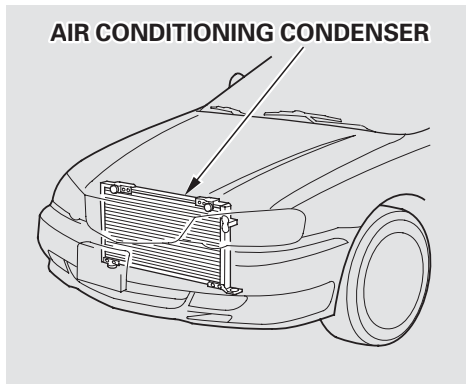
## Air Conditioning System

Your car's air conditioning is a sealed system. Any major maintenance, such as recharging, should be done by a qualified mechanic. You can do a couple of things to make sure the air conditioning works efficiently.

Periodically check the engine's radiator and air conditioning condenser for leaves, insects, and dirt stuck to the front surface. These block the air flow and reduce cooling efficiency. Use a light spray from a hose or a soft brush to remove them.

### NOTICE

*The condenser and radiator fins bend easily. Only use a low-pressure spray or soft-bristle brush to clean them.*



Run the air conditioning at least once a week during the cold weather months. Run it for at least ten minutes while you are driving at a steady speed with the engine at normal operating temperature. This circulates the lubricating oil contained in the refrigerant.

If the air conditioning does not get as cold as before, have your dealer check the system. Recharge the system with Refrigerant HFC-134a (R-134a). (See Specifications on page 308.)

### NOTICE

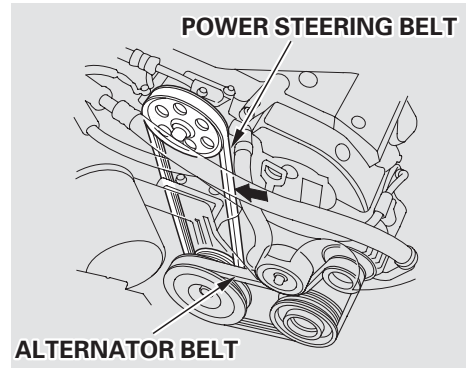
*Whenever you have the air conditioning system serviced, make sure the service facility uses a refrigerant recycling system. This system captures the refrigerant for reuse. Releasing refrigerant into the atmosphere can damage the environment.*

### Air Conditioning Filter

The air conditioning filter removes pollen and dust that is brought in from the outside through the climate control system.

This filter should be replaced every 30,000 miles (48,000 km) under normal conditions. It should be replaced every 15,000 miles (24,000 km) if you drive primarily in urban areas that have high concentrations of soot in the air from industry and diesel-powered vehicles. Replace it more often if air flow from the climate control system becomes less than usual. Have the air conditioning filter replaced by your Acura dealer.

### Drive Belts



Check the condition of the two drive belts (power steering belt and alternator belt). Examine the edges of each belt for cracks or fraying.

Check the tension of the power steering belt by pushing on it with your thumb midway between the pulleys.

The belt should have the following “play” or deflection.

Power steering belt:  
0.51 – 0.65 in (13.0 – 16.5 mm)

If you see signs of wear or looseness, have your dealer adjust or replace the belts.

## Timing Belt, Tires

---

### Timing Belt

The timing belt should normally be replaced at the intervals shown in the maintenance schedule.

Replace this belt at 60,000 miles (U.S.) or 100,000 km (Canada) if you regularly drive your car in one or more of these conditions:

- In very high temperatures (over 110°F, 43°C).
- In very low temperatures (under -20°F, -29°C).

### Tires

To safely operate your car, your tires must be the proper type and size, in good condition with adequate tread, and correctly inflated. The following pages give more detailed information on how and when to check air pressure, how to inspect your tires for damage and wear, and what to do when your tires need to be replaced.

### **WARNING**

Using tires that are excessively worn or improperly inflated can cause a crash in which you can be seriously hurt or killed.

Follow all instructions in this owner's manual regarding tire inflation and maintenance.

## **Inflation**

Keeping the tires properly inflated provides the best combination of handling, tread life and riding comfort. Underinflated tires wear unevenly, adversely affect handling and fuel economy, and are more likely to fail from being overheated. Overinflated tires can make your car ride more harshly, are more prone to damage from road hazards, and wear unevenly.

We recommend that you visually check your tires every day. If you think a tire might be low, check it immediately with a tire gauge.

Use a gauge to measure the air pressure at least once a month. Even tires that are in good condition may lose one to two psi (10 to 20 kPa, 0.1 to 0.2 kgf/cm<sup>2</sup>) per month. Remember to check the spare tire at the same time you check all the other tires.

Check the pressure in the tires when they are cold. This means the car has been parked for at least three hours. If you have to drive the car before checking the tire pressure, the tires can still be considered “cold” if you drive less than 1 mile (1.6 km).

If you check the pressure when the tires are hot (the car has been driven several miles), you will see readings 4 to 6 psi (30 to 40 kPa, 0.3 to 0.4 kgf/cm<sup>2</sup>) higher than the cold reading. This is normal. Do not let air out to match the specified cold pressure. The tire will be underinflated.

You should get your own tire pressure gauge and use it whenever you check your tire pressures. This will make it easier for you to tell if a pressure loss is due to a tire problem and not due to a variation between gauges.

*CONTINUED*

# Tires

---

## ***Recommended Tire Pressures for Normal Driving***

The following chart shows the recommended cold tire pressures for most normal driving conditions and speeds. Tire pressures for high speed driving are the same as for normal driving.

### *Premium model*

Tire Size	Cold Tire Pressure for Normal Driving
P205/60R16 91V	32 psi (220 kPa , 2.2 kgf/cm <sup>2</sup> )

### *Type S*

Tire Size	Cold Tire Pressure for Normal Driving
P215/50R17 93V	32 psi (220 kPa , 2.2 kgf/cm <sup>2</sup> )

The compact spare tire pressure is: 60 psi (420 kPa , 4.2 kgf/cm<sup>2</sup>)

These pressures are also given on the tire information label on the driver's doorjamb.

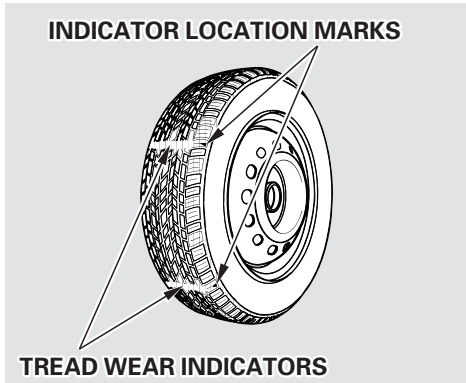
Tubeless tires have some ability to self-seal if they are punctured. However, because leakage is often very slow, you should look closely for punctures if a tire starts losing pressure.

## **Inspection**

Every time you check inflation, you should also examine the tires for damage, foreign objects, and wear.

You should look for:

- Bumps or bulges in the tread or side of the tire. Replace the tire if you find either of these conditions.
- Cuts, splits, or cracks in the side of the tire. Replace the tire if you can see fabric or cord.
- Excessive tread wear.



Your car's tires have wear indicators molded into the tread. When the tread wears down to that point, you will see a 1/2 inch (12.7 mm) wide band running across the tread. This shows there is less than 1/16 inch (1.6 mm) of tread left on the tire. A tire that is this worn gives very little traction on wet roads. You should replace the tire if you can see the tread wear indicator in three or more places around the tire.

### Maintenance

In addition to proper inflation, correct wheel alignment helps to decrease tire wear. If you find a tire is worn unevenly, have your dealer check the wheel alignment.

The tires were properly balanced by the factory. They may need to be rebalanced at some time before they are worn out. Have your dealer check the tires if you feel a consistent vibration while driving. A tire should always be rebalanced if it is removed from the wheel for repair.

Make sure the installer balances the wheels when you have new tires installed. This increases riding comfort and tire life. Your car's original tires were dynamic or "spin" balanced at the factory. For best results, have the installer perform a dynamic balance.

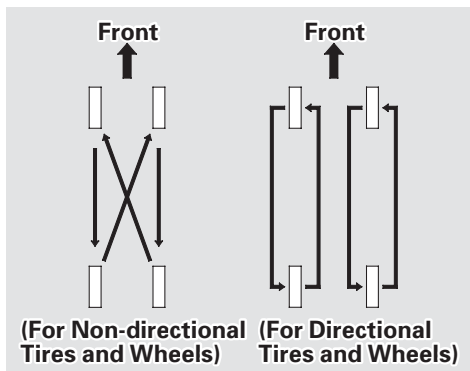
### NOTICE

*Improper wheel weights can damage your car's aluminum wheels. Use only Genuine Acura wheel weights for balancing.*



# Tires

## Tire Rotation



To help increase tire life and distribute wear more evenly, you should have the tires rotated every 7,500 miles (12,000 km). Move the tires to the positions shown in the chart each time they are rotated.

When shopping for replacement tires, you may find that some tires are “directional.” This means they are designed to rotate only in one direction. If you use directional tires, they should be rotated only front-to-back.

## Replacing Tires and Wheels

The tires that came with your car were selected to match the performance capabilities of the car while providing the best combination of handling, ride comfort, and long life. You should replace them with radial tires of the same size, load range, speed rating, and maximum cold tire pressure rating (as shown on the tire’s sidewall). Mixing radial and bias-ply tires on your car can reduce its braking ability, traction, and steering accuracy.

**▲ WARNING**

Installing improper tires on your car can affect handling and stability. This can cause a crash in which you can be seriously hurt or killed.

Always use the size and type of tires recommended in this owner's manual.

It is best to replace all four tires at the same time. If that is not possible or necessary, then replace the two front tires or the two rear tires as a pair. Replacing just one tire can seriously affect your car's handling.

The ABS and VSA system work by comparing the speed of the wheels. When replacing tires, use the same size originally supplied with the car. Tire size and construction can affect wheel speed and may cause the system to work inconsistently.

If you ever need to replace a wheel, make sure you use an identical style aluminum alloy wheel that originally came on your Acura. Replacement wheels are available at your Acura dealer.

**Wheels and Tires**

Wheel:

*Premium model*

16 x 6 1/2 JJ

*Type S*

17 x 6 1/2 JJ

Tire:

*Premium model*

P205/60R16 91V

*Type S*

P215/50R17 93V

See page [310](#) for information about DOT Tire Quality Grading.

# Tires

---

## Winter Driving

Tires that are marked “M+S” or “All Season” on the sidewall have an all-weather tread design. They should be suitable for most winter driving conditions. Tires without these markings are designed for optimum traction in dry conditions. They may not provide adequate performance in winter driving. For the best performance in snowy or icy conditions, you should install snow tires or tire chains. They may be required by local laws under certain conditions.

## Snow Tires

If you mount snow tires on your Acura, make sure they are radial tires of the same size and load range as the original tires. Mount snow tires on all four wheels to balance your car’s handling in all weather conditions. Keep in mind the traction provided by snow tires on dry roads may not be as high as your car’s

original equipment tires. You should drive cautiously even when the roads are clear. Check with the tire dealer for maximum speed recommendations.

## Traction Devices

### *Premium model only*

Because your Acura has limited tire clearance, mount only SAE Class “S” cable-type traction devices on the front tires. Use traction devices only when required by driving conditions or local laws. Make sure they are the correct size for your tires.

Metal link-type “chains” should not be used. No matter how tight they seem to be installed, they can come into contact with the body and suspension, causing serious damage.

When installing cables, follow the manufacturer’s instructions and mount them as tightly as you can. Drive slowly with them installed. If

you hear them coming in contact with the body or chassis, stop and investigate. Make sure the cables are installed tightly, and that they are not contacting the brake lines or suspension.

Remove them as soon as you begin driving on cleared roads.

## NOTICE

*Traction devices that are the wrong size or improperly installed can damage your car’s brake lines, suspension, body, and wheels. Stop driving if they are hitting any part of the car.*

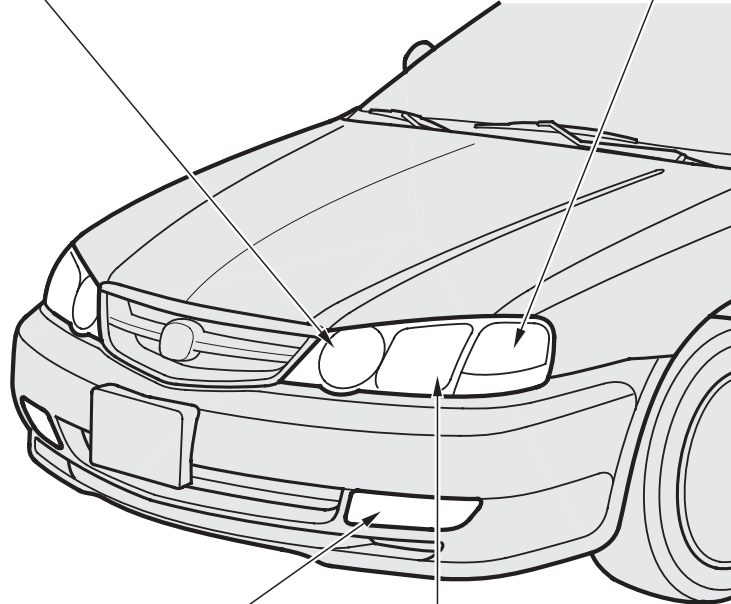
### *Type S*

Do not install any types of chains or cable-type traction devices on your vehicle.

Check the operation of your car's exterior lights at least once a month. A burned out bulb can create an unsafe condition by reducing your car's visibility and the ability to signal your intentions to other drivers.

HIGH BEAM HEADLIGHT

TURN SIGNAL/SIDE MARKER LIGHT/  
PARKING LIGHT



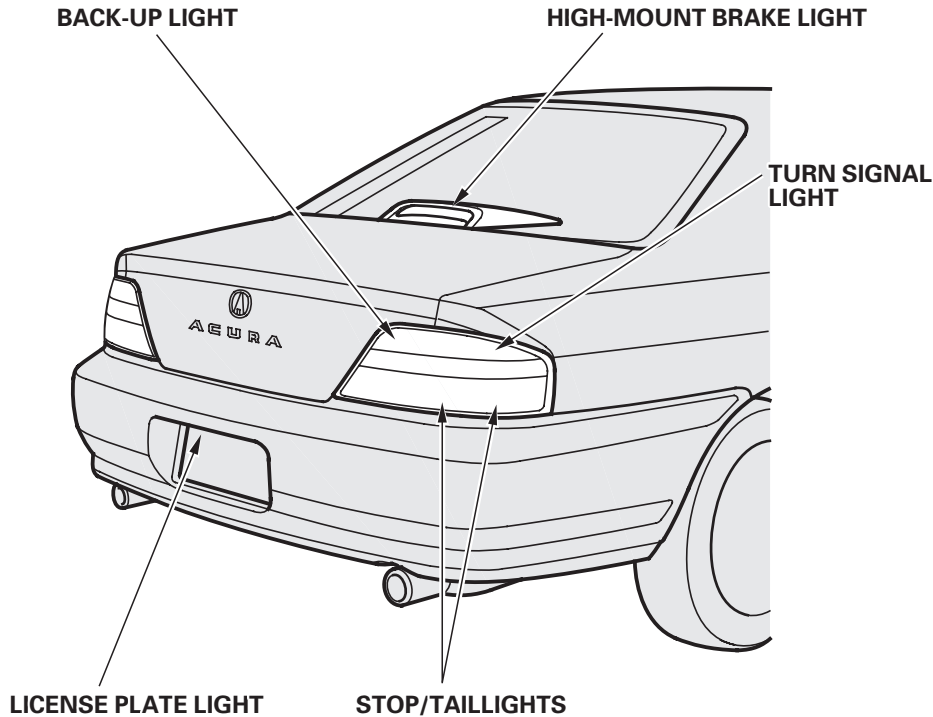
FOG LIGHT

LOW BEAM HEADLIGHT

*CONTINUED*

# Lights

---



Check the following:

- Headlights (low and high beam)
- Fog lights
- Parking lights
- Taillights
- Brake lights
- Turn signals
- Back-up lights
- Hazard light function
- License plate light
- Side marker lights
- High-mount brake light
- Daytime running lights (Canadian models)

If you find any bulbs are burned out, replace them as soon as possible. Refer to the chart on page [309](#) to determine what type of replacement bulb is needed.

## Headlight Aiming

The headlights were properly aimed when your car was new. If you regularly carry heavy items in the trunk or pull a trailer, readjustment may be required. Adjustment of the headlights should be performed by an Acura technician or other qualified mechanic.

## Replacing a Headlight Bulb

The low beam headlight bulbs are a type of high voltage discharge tube. High voltage can remain in the circuit even with the light switch off and the key removed. Because of this, you should not attempt to examine or change a low beam headlight bulb yourself. If a low beam headlight bulb fails, take the car to your dealer to have it replaced.

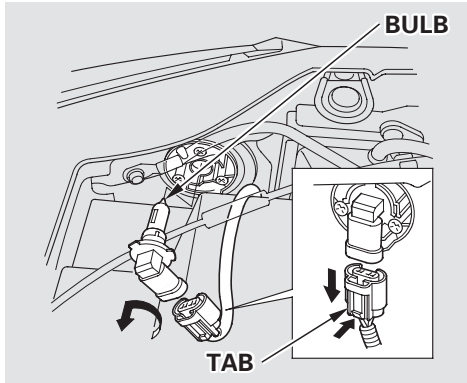
Halogen bulbs are used for the high beam headlight bulbs. When replacing a high beam headlight bulb, handle it by its base and protect the glass from contact with your skin or hard objects. If you touch the glass, clean it with denatured alcohol and a clean cloth.

## NOTICE

*Halogen headlight bulbs get very hot when lit. Oil, perspiration, or a scratch on the glass can cause the bulb to overheat and shatter.*

CONTINUED

# Lights



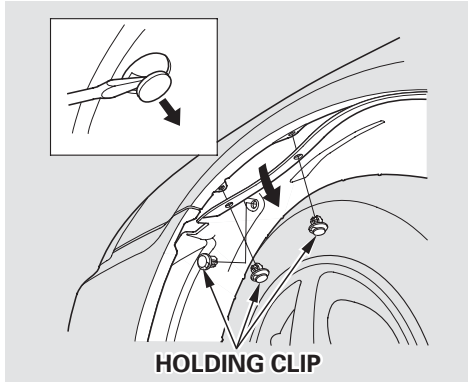
1. Open the hood.  
If you need to change a bulb on the driver's side, remove the radiator reserve tank.
2. Remove the electrical connector from the bulb by squeezing the connector to unlock the tab, then slide the connector off the bulb.

3. Remove the bulb by turning it approximately one-quarter turn counterclockwise.
4. Insert the new bulb into the hole and turn it one-quarter turn clockwise to lock it in place.
5. Push the electrical connector back onto the bulb. Make sure it is on all the way.
6. Turn on the headlights to test the new bulb.
7. Reinstall the radiator reserve tank.

## Replacing Front Turn Signal and Side Marker Light Bulbs

The front side marker/turn signal light bulb and parking light bulb use the same bulb.

1. If you are changing the bulb on the driver's side, start the engine, turn the steering wheel all the way to the right, and turn off the engine. If you are changing the bulb on the passenger's side, turn the steering wheel to the left.



2. Use a flat-tipped screwdriver to remove the three holding clips from the inner fender.
3. Pull the inner fender cover away from the fender and bumper.



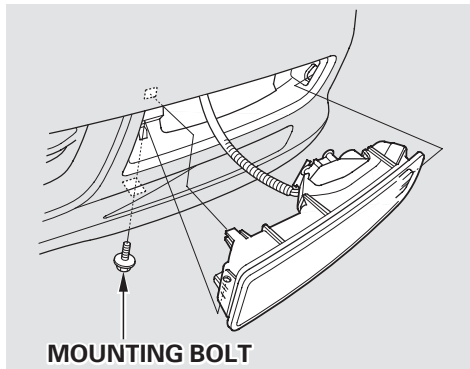
4. Remove the socket from the headlight assembly by turning it one-quarter turn counterclockwise.

5. Remove the burned out bulb from the socket by pushing it in and turning counterclockwise until it unlocks.
6. Install the new bulb in the socket. Turn it clockwise to lock it in place.
7. Insert the socket back into the headlight assembly. Turn it clockwise to lock it in place.
8. Test the lights to make sure the new bulb is working.
9. Put the inner fender cover in place. Install the three holding clips. Lock each clip in place by pushing on the center.



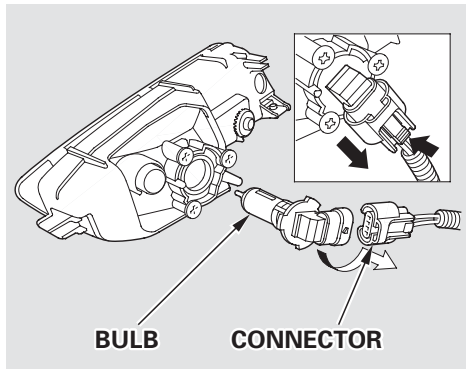
# Lights

## Replacing a Fog Light Bulb



Your car uses halogen fog light bulbs. See page 309 for information on replacing a halogen bulb.

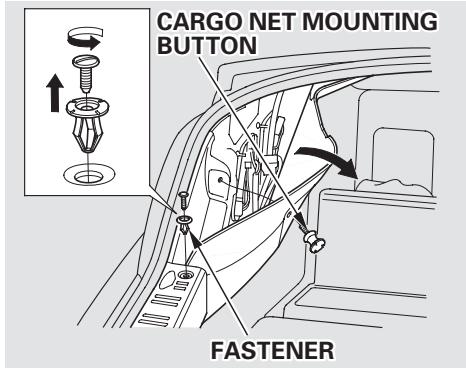
1. Use a wrench to loosen the light assembly's mounting bolt.
2. Remove the light assembly from the bumper.



3. Remove the electrical connector from the bulb by squeezing the connector to unlock the tab, then slide the connector off the bulb.
4. Remove the bulb by turning it approximately one-quarter turn counterclockwise.

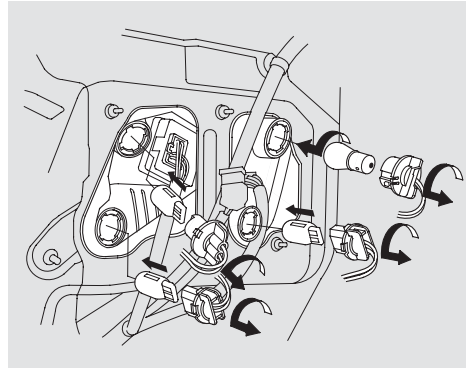
5. Insert the new bulb into the hole and turn it one-quarter turn clockwise to lock it in place.
6. Push the electrical connector onto the new bulb. Turn on the front fog lights to test the new bulb.
7. Put the light assembly into the bumper. Tighten the mounting bolt.

## Replacing Rear Bulbs



1. Open the trunk.

Remove the fastener on the edge of the trunk opening by turning it counterclockwise with a coin. Unscrew the cargo net mounting button. Pull the lining back.

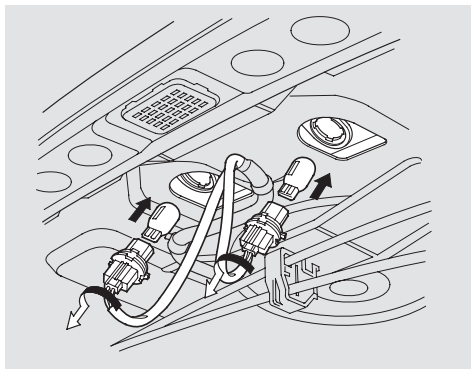


2. Determine which of the four bulbs is burned out: stop/taillights, turn signal light, or back-up light.
3. Remove the socket by turning it one-quarter turn counterclockwise.
4. To remove the turn signal bulb push it in slightly and turn it counterclockwise. To remove the stop/taillight or back-up light, pull the bulb straight out of its socket.

5. Install the new bulb into the socket.
6. Reinstall the socket into the light assembly by turning it clockwise until it locks.
7. Test the lights to make sure the new bulb is working.
8. Reinstall the trunk lining. Make sure it is installed under the edge of the trunk seal.
9. Put the fastener in the hole on the side of the trunk lining and push on the center until it locks (the center is flush with the head).
10. Screw the cargo net mounting button back into the hole.

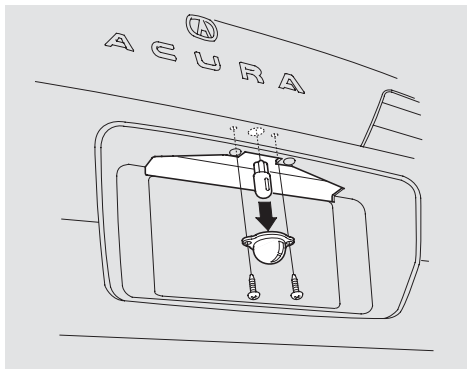
# Lights

## Replacing a High-mount Brake Light Bulb



1. Open the trunk and remove the socket from the light assembly by turning it one-quarter turn counter-clockwise.
2. Remove the burned-out bulb by pulling it straight out of the socket.
3. Install the new bulb and reinstall the socket. Make sure the new bulb is working.

## Replacing a Rear License Plate Bulb



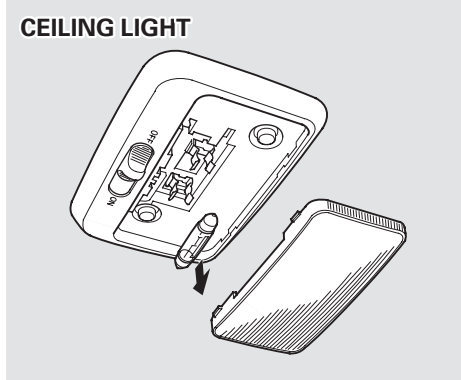
1. Use a small Phillips-head screwdriver to remove the two screws. Remove the lens from the license plate assembly.
2. Remove the bulb by pulling it straight out. Push the new bulb into the socket.

3. Put the lens back in place and tighten the two screws securely.

## Replacing Bulbs in the Interior Lights

The ceiling light, door light and vanity mirror light come apart the same way, but they do not use the same type of bulb.

1. Remove the lens by carefully prying on the edge of the lens with a fingernail file or a small flat-tip screwdriver. Do not pry on the edge of the housing around the lens.



Door light:

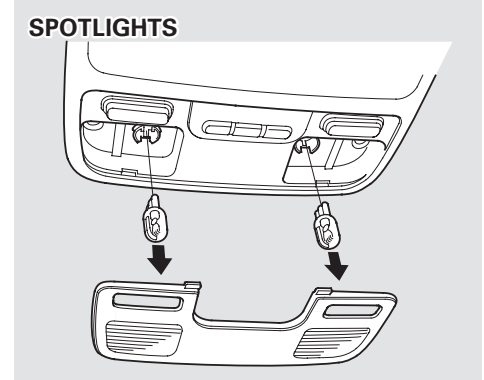
Pry on the top middle of the lens.

Ceiling light:

Pry on the front edge of the lens near both sides.

Spotlights:

Pry on the front edge in front of both spotlights.

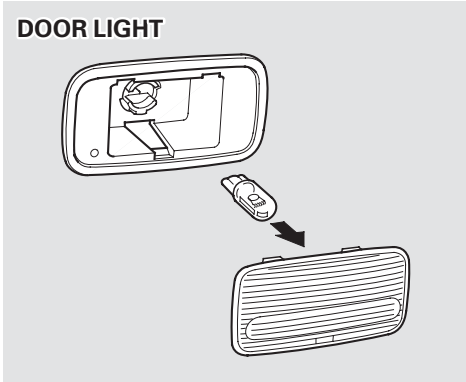


2. Remove the bulb by pulling it straight out of its metal tabs.
3. Push the new bulb into the metal tabs. Snap the lens back in place.

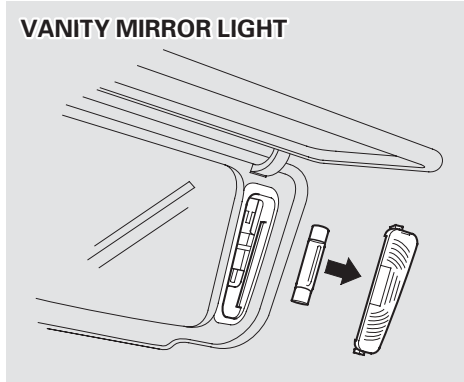
*CONTINUED*

# Lights

## DOOR LIGHT

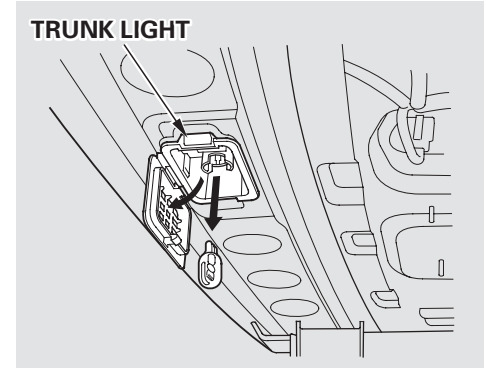


## VANITY MIRROR LIGHT



## Replacing the Trunk Light Bulb

### TRUNK LIGHT



1. Open the trunk. Pull down the trunk light cover.
2. Remove the bulb by pulling it straight out of its metal tabs.
3. Push the new bulb into the metal tabs.
4. Push the cover back in place.

If you need to park your car for an extended period (more than one month), there are several things you should do to prepare it for storage. Proper preparation helps prevent deterioration and makes it easier to get your car back on the road. If possible, store your car indoors.

- Fill the fuel tank.
- Change the engine oil and filter (see page [225](#) ).
- Wash and dry the exterior completely.
- Clean the interior. Make sure the carpeting, floor mats, etc. are completely dry.
- Leave the parking brake off. Put the transmission in Park.

- Block the rear wheels.
- If the car is to be stored for a longer period, it should be supported on jackstands so the tires are off the ground.
- Leave one window open slightly (if the car is being stored indoors).
- Disconnect the battery.
- Support the front wiper blade arms with a folded towel or rag so they do not touch the windshield.
- To minimize sticking, apply a silicone spray lubricant to all door and trunk seals. Also, apply a vehicle body wax to the painted surfaces that mate with the door and trunk seals.

- Cover the car with a “breathable” cover, one made from a porous material such as cotton. Nonporous materials, such as plastic sheeting, trap moisture, which can damage the paint.
- If possible, run the engine for a while periodically (preferably once a month).

If you store your car for 12 months or longer, have your Acura dealer perform the inspections called for in the 24 months/30,000 miles (48,000 km) maintenance schedule (Normal Conditions) as soon as you take it out of storage (see page [214](#) ). The replacements called for in the maintenance schedule are not needed unless the car has actually reached that time or mileage.



Regular cleaning and polishing of your Acura helps to keep it “new” looking. This section gives you hints on how to clean your car and preserve its appearance: the paint, brightwork, wheels and interior. Also included are several things you can do to help prevent corrosion.

Exterior Care.....	270
Washing .....	270
Waxing .....	271
Aluminum Wheels.....	271
Paint Touch-up.....	271
Interior Care.....	272
Carpeting .....	272
Floor Mats .....	272
Fabric .....	273
Vinyl .....	273
Leather.....	273
Seat Belts.....	273
Windows .....	274
Air Fresheners.....	274
Corrosion Protection.....	275
Body Repairs .....	276



## Exterior Care

---

### Washing

Frequent washing helps preserve your car's beauty. Dirt and grit can scratch the paint, while tree sap and bird droppings can permanently ruin the finish.

Wash your car in a shady area, not in direct sunlight. If the car is parked in the sun, move it into the shade and let the exterior cool down before you start.

Only use the solvents and cleaners recommended in this Owner's Manual.

#### NOTICE

*Chemical solvents and strong cleaners can damage the paint, metal, and plastic on your car.*

- Rinse the car thoroughly with cool water to remove loose dirt.
- Fill a bucket with cool water. Mix in a mild detergent, such as dishwashing liquid or a product made especially for car washing.
- Wash the car using the water and detergent solution and a soft-bristle brush, sponge, or soft cloth. Start at the top and work your way down. Rinse frequently.
- Check the body for road tar, tree sap, etc. Remove these stains with tar remover or turpentine. Rinse it off immediately so it does not harm the finish. Remember to re-wax these areas, even if the rest of the car does not need waxing.
- When you have washed and rinsed the whole exterior, dry it with a chamois or soft towel. Letting it air-dry will cause dulling and water spots.

As you dry the car, inspect it for chips and scratches that could allow corrosion to start. Repair them with touch-up paint (see page [271](#) ).

### **Waxing**

Always wash and dry the whole car before waxing it. You should wax your car, including the metal trim, whenever water sits on the surface in large patches. It should form into beads or droplets after waxing.

You should use a quality liquid or paste wax. Apply it according to the instructions on the container. In general, there are two types of products:

**Waxes** — A wax coats the finish and protects it from damage by exposure to sunlight, air pollution, etc. You should use a wax on your Acura when it is new.

**Polishes** — Polishes and cleaner/waxes can restore the shine to paint that has oxidized and lost some of its shine. They normally contain mild abrasives and solvents that remove the top layer of the finish. You

should use a polish on your Acura if the finish does not have its original shine after using a wax.

Cleaning tar, insects, etc. with removers also takes off the wax. Remember to re-wax those areas, even if the rest of the car does not need waxing.

### **Aluminum Wheels**

Clean your Acura's aluminum alloy wheels as you do the rest of the exterior. Wash them with the same solution, and rinse them thoroughly.

The wheels have a protective clear-coat that keeps the aluminum from corroding and tarnishing. Using harsh chemicals, including some commercial wheel cleaners, or stiff brushes can damage this clear-coat. Only use a mild detergent and soft brush or sponge to clean the wheels.

### **Paint Touch-up**

Your dealer has touch-up paint to match your car's color. The color code is printed on a sticker on the driver's doorjamb. Take this code to your dealer so you are sure to get the correct color.

Inspect your car frequently for chips or scratches in the paint. Repair them right away to prevent corrosion of the metal underneath. Use the touch-up paint only on small chips and scratches. More extensive paint damage should be repaired by a professional.

## Interior Care

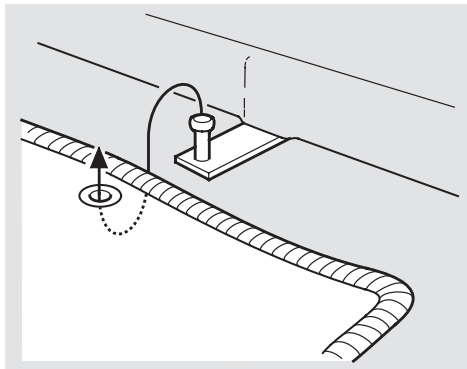
---

### Carpeting

Vacuum the carpeting frequently to remove dirt. Ground-in dirt will make the carpet wear out faster.

Periodically shampoo the carpet to keep it looking new. Use one of the foam-type carpet cleaners on the market. Follow the instructions that come with the cleaner, applying it with a sponge or soft brush. Keep the carpeting as dry as possible by not adding water to the foam.

### Floor Mats



The Genuine Acura driver's floor mat that came with your car was designed to be hooked over the floor mat anchor. This keeps the floor mat from sliding forward and possibly interfering with the pedals.

If you remove the floor mat, make sure to re-anchor it when you put it back in your car.

If you replace it, use a genuine Acura floor mat that is designed to be used with the floor mat anchor in your car.

If you use a non-Acura floor mat in the driver's footwell, make sure it fits properly and that it can be used with the floor mat anchor.

Do not put additional floor mats on top of the anchored mat, otherwise the additional mats may slide forward and interfere with the pedals.

### Fabric

Vacuum dirt and dust out of the material frequently. For general cleaning, use a solution of mild soap and lukewarm water, letting it air dry. To clean off stubborn spots, use a commercially-available fabric cleaner. Test it on a hidden area of the fabric first, to make sure it does not bleach or stain the fabric. Follow the instructions that come with the cleaner.

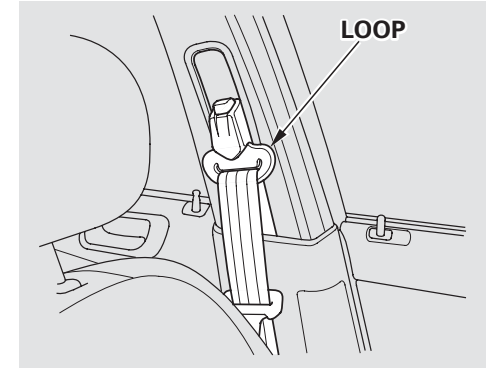
### Vinyl

Remove dirt and dust with a vacuum cleaner. Wipe the vinyl with a soft cloth dampened in a solution of mild soap and water. Use the same solution with a soft-bristle brush on more difficult spots. You can also use commercially-available spray or foam-type vinyl cleaners.

### Leather

Vacuum dirt and dust from the leather frequently. Pay particular attention to the pleats and seams. Clean the leather with a soft cloth dampened with clear water, then buff it with a clean, dry cloth. If further cleaning is needed, use a soap specifically for leather, such as saddle soap. Apply this soap with a damp, soft cloth. Wipe down and buff as described above.

### Seat Belts



If your seat belts get dirty, you can use a soft brush with a mixture of mild soap and warm water to clean them. Do not use bleach, dye, or cleaning solvents. They can weaken the belt material. Let the belts air-dry before you use the car.

*CONTINUED*

## Interior Care

---

Dirt build-up in the loops of the seat belt anchors can cause the belts to retract slowly. Wipe the insides of the loops with a clean cloth dampened in mild soap and warm water or isopropyl alcohol.

### Windows

Clean the windows, inside and out, with a commercially-available glass cleaner. You can also use a mixture of one part white vinegar to ten parts water. This will remove the haze that builds up on the inside of the windows. Use a soft cloth or paper towels to clean all glass and clear plastic surfaces.

#### NOTICE

*The rear window defogger and antenna wires are bonded to the inside of the glass. Wiping vigorously up-and-down can dislodge and break these wires. When cleaning the rear window, use gentle pressure and wipe side-to-side.*

### Air Fresheners

If you want to use an air freshener/deodorizer in the interior of your car, it is best to use a solid type. Some liquid air fresheners contain chemicals that may cause parts of the interior trim and fabric to crack or discolor.

If you use a liquid air freshener, make sure you fasten it securely so it does not spill as you drive.

Two factors normally contribute to causing corrosion in your car:

1. Moisture trapped in body cavities. Dirt and road salt that collects in hollows on the underside of the car stays damp, promoting corrosion in that area.
2. Removal of paint and protective coatings from the exterior and underside of the car.

Many corrosion-preventive measures are built into your Acura. You can help keep your car from corroding by performing some simple periodic maintenance:

- Repair chips and scratches in the paint as soon as you discover them.
  - Inspect and clean out the drain holes in the bottom of the doors and body.
  - Check the floor coverings for dampness. Carpeting and floor mats may remain damp for a long time, especially in winter. This dampness can eventually cause the floor panels to corrode.
- Use a high-pressure spray to clean the underside of your car. This is especially important in areas that use road salt in winter. It is also a good idea in humid climates and areas subject to salt air. Be careful of the ABS wheel sensors and wiring at each wheel.
  - Have the corrosion-preventive coatings on the underside of your car inspected and repaired periodically.

## Body Repairs

---

Body repairs can affect your car's resistance to corrosion. If your car needs repairs after a collision, pay close attention to the parts used in the repair and the quality of the work.

Make sure the repair facility uses genuine Acura replacement body parts. Some companies make sheet metal pieces that seem to duplicate the original Acura body parts, but are actually inferior in fit, finish, and corrosion resistance. Once installed, they do not give the same high-quality appearance.

When reporting your collision to the insurance company, tell them you want genuine Acura parts used in the repair. Although most insurers recognize the quality of original parts, some may try to specify that the repairs be done with other available parts. You should investigate this before any repairs have begun.

Take your car to your authorized Acura dealer for inspection after the repairs are completed. Your dealer can make sure that quality materials were used, and that corrosion-preventive coatings were applied to all repaired and replaced parts.

This section covers the more-common problems that motorists experience with their vehicles. It gives you information about how to safely evaluate the problem and what to do to correct it. If the problem has stranded you on the side of the road, you may be able to get going again. If not, you will also find instructions on getting your car towed.

Compact Spare Tire.....	278
Changing a Flat Tire .....	279
If Your Engine Won't Start.....	285
Nothing Happens or the Starter Motor Operates Very Slowly.....	285
The Starter Operates Normally .....	286
Jump Starting .....	286
If Your Engine Overheats.....	289
Low Oil Pressure Indicator .....	291
Charging System Indicator.....	292
Malfunction Indicator Lamp .....	293
Readiness Codes.....	294
Brake System Indicator .....	295
Closing the Moonroof .....	296
Fuses .....	297
Checking and Replacing .....	298
Emergency Towing .....	302



## Compact Spare Tire

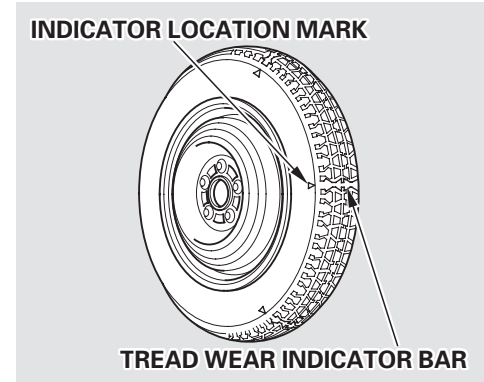
Your car has a compact spare tire that takes up less space. Use this spare tire as a temporary replacement only. Get your regular tire repaired or replaced and put it back on your car as soon as you can.

Check the inflation pressure of the compact spare tire every time you check the other tires. It should be inflated to:  
60 psi (420 kPa , 4.2 kgf/cm<sup>2</sup>)

Follow these precautions whenever you are using the compact spare tire:

- Do not exceed 50 mph (80 km/h) under any circumstances.
- This tire gives a harsher ride and less traction on some road surfaces than the regular tire. Use greater caution while driving on this tire.

- Do not mount snow chains on the compact spare.
- The wheel of the compact spare tire is designed especially to fit your car. Do not use your spare tire on another vehicle unless it is the same make and model.
- *Premium model*  
Turn off the Traction Control System (see page 194 ). Driving with the compact spare tire may activate the TCS.
- *Type S*  
Turn off the VSA system (see page 197 ). Driving with the compact spare tire may activate the VSA system.



The compact spare tire has a shorter tread life than a regular tire. Replace it when you can see the tread wear indicator bars. The replacement should be the same size and design tire, mounted on the same wheel. The compact spare tire is not designed to be mounted on a regular wheel, and the compact wheel is not designed for mounting a regular tire.

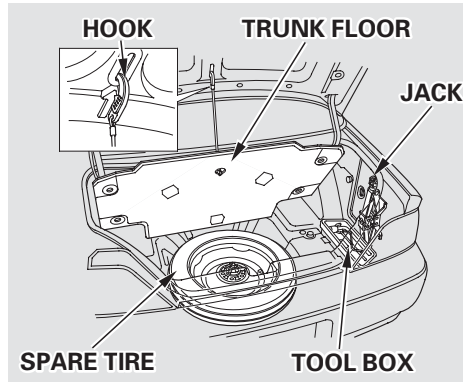
## Changing a Flat Tire

If you have a flat tire while driving, stop in a safe place to change it. Stopping in traffic or on the shoulder of a busy road is dangerous. Drive slowly along the shoulder until you get to an exit or an area to stop that is far away from the traffic lanes.

### **▲ WARNING**

The car can easily roll off the jack, seriously injuring anyone underneath.

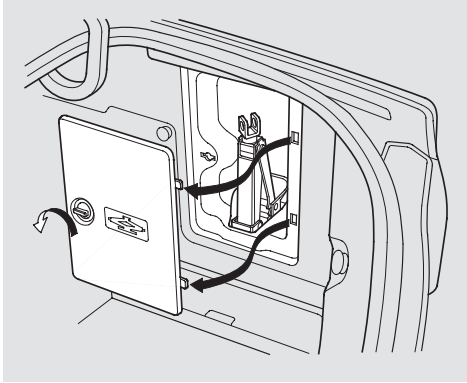
Follow the directions for changing a tire exactly, and never get under the car when it is supported only by the jack.



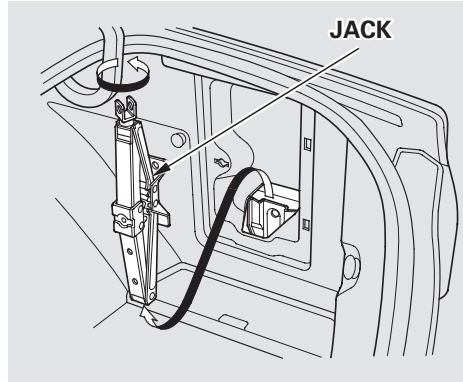
1. Park the car on firm, level, and non-slippery ground away from traffic. Put the transmission in Park. Apply the parking brake. If you are towing a trailer, unhitch the trailer.
2. Turn on the hazard warning lights and turn the ignition switch to LOCK (0). Have all the passengers get out of the car while you change the tire.
3. Open the trunk. Raise the trunk floor by lifting up on the back edge. To keep the trunk floor out of the way, attach the hook into the slot in the trunk lid.
4. Unscrew the wing bolt and take the spare tire out of its well.
5. The tools are in the tool box on the right side of the trunk. Take the tools out of the tool box.

*CONTINUED*

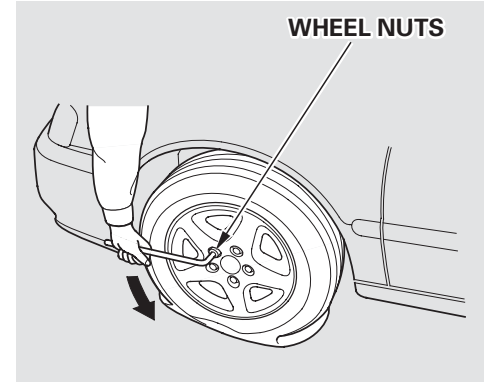
## Changing a Flat Tire



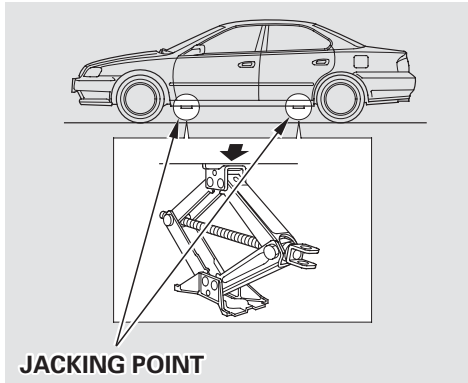
6. The jack is behind a cover in the right fender. Remove the cover by turning the handle counterclockwise, then pulling on the cover.



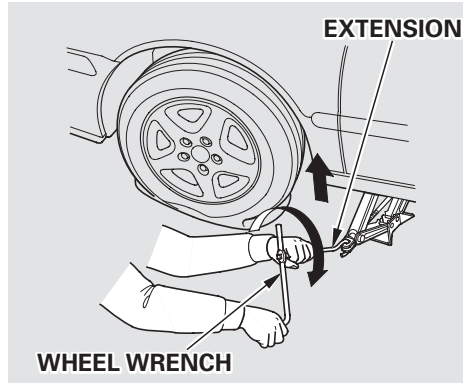
7. Turn the jack's end bracket counterclockwise to loosen it, then remove the jack.



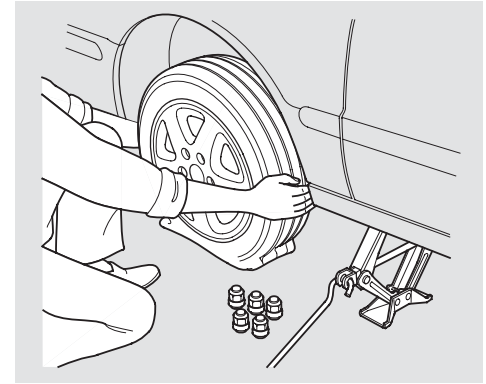
8. Loosen the five wheel nuts 1/2 turn with the wheel wrench.



9. Locate the jacking point nearest the tire you need to change. It is pointed to by an arrow molded into the underside of the body. Place the jack under the jacking point. Turn the end bracket clockwise until the top of the jack contacts the jacking point. Make sure the jacking point tab is resting in the jack notch.



10. Use the extension and wheel wrench as shown to raise the vehicle until the flat tire is off the ground.

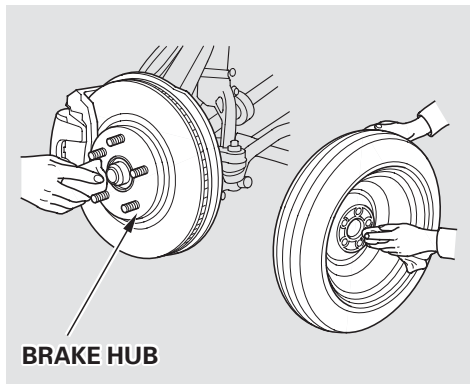


11. Remove the wheel nuts and flat tire. Temporarily place the flat tire on the ground with the outside surface of the wheel facing up. You could scratch the wheel if you put it face down.

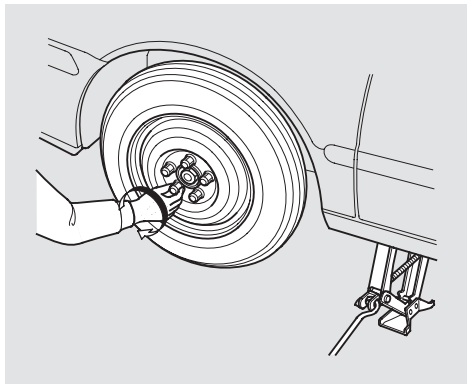
*CONTINUED*

## Changing a Flat Tire

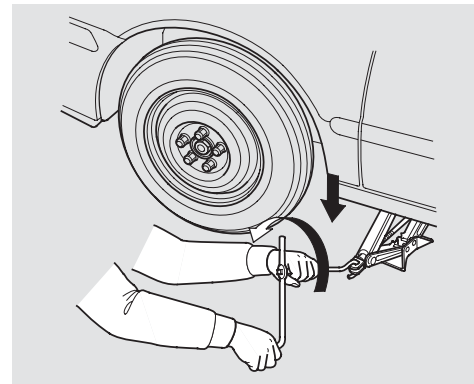
---



12. Before mounting the spare tire, wipe any dirt off the mounting surface of the wheel and hub with a clean cloth. Wipe the hub carefully, it may be hot from driving.

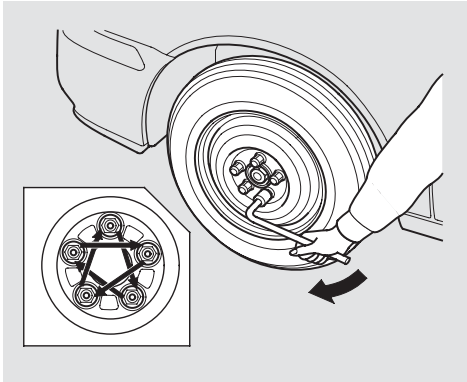


13. Put on the spare tire. Put the wheel nuts back on finger-tight, then tighten them in a crisscross pattern with the wheel wrench until the wheel is firmly against the hub. Do not try to tighten them fully.

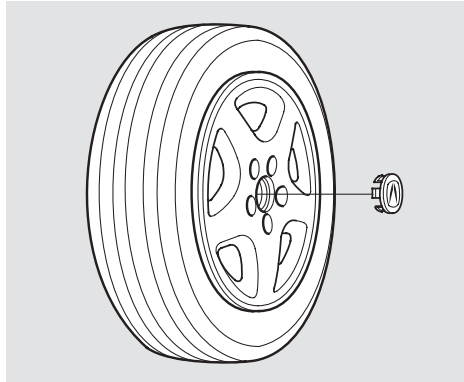


14. Lower the car to the ground and remove the jack.

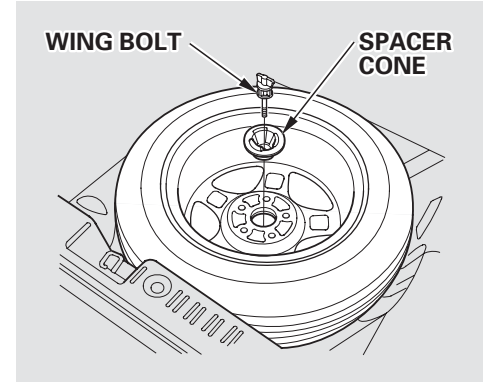
## Changing a Flat Tire



15. Tighten the wheel nuts securely in the same crisscross pattern. Have the wheel nut torque checked at the nearest automotive service facility.  
Tighten the wheel nuts to:  
80 lbf·ft (108 N·m , 11 kgf·m)



16. Remove the center cap before storing the flat tire in the trunk well.



17. Place the flat tire face down in the spare tire well.
18. Remove the spacer cone from the wing bolt, turn it over, and put it back on the bolt.
19. Secure the flat tire by screwing the wing bolt back into its hole.

*CONTINUED*

## Changing a Flat Tire

---

20. Store the jack in its holder. Turn the jack's end bracket to lock it in place. Replace the cover. Store the tools.

### **⚠ WARNING**

Loose items can fly around the interior in a crash and could seriously injure the occupants.

Store the wheel, jack and tools securely before driving.

21. Store the center cap in the trunk. Make sure it does not get scratched or damaged.

22. Unclip the hook from the trunk lid and lower the trunk floor.

23. Close the trunk lid.

Diagnosing why your engine won't start falls into two areas, depending on what you hear when you turn the key to START (III):

- You hear nothing, or almost nothing. The engine's starter motor does not operate at all, or operates very slowly.
- You can hear the starter motor operating normally, or the starter motor sounds like it is spinning faster than normal, but the engine does not start up and run.

### **Nothing Happens or the Starter Motor Operates Very Slowly**

When you turn the ignition switch to START (III), you do not hear the normal noise of the engine trying to start. You may hear a clicking sound or series of clicks, or nothing at all. Check these things:

- Check the transmission interlock. The transmission must be in Park or Neutral or the starter will not operate.
- Turn the ignition switch to ON (II). Turn on the headlights and check their brightness. If the headlights are very dim or don't light at all, the battery is discharged. See **Jump Starting** on page [286](#).

- Turn the ignition switch to START (III). If the headlights do not dim, check the condition of the fuses. If the fuses are OK, there is probably something wrong with the electrical circuit for the ignition switch or starter motor. You will need a qualified technician to determine the problem. (See **Emergency Towing** on page [302](#).)

If the headlights dim noticeably or go out when you try to start the engine, either the battery is discharged or the connections are corroded. Check the condition of the battery and terminal connections (see page [243](#)). You can then try jump starting the car from a booster battery (see page [286](#)).



## If Your Engine Won't Start, Jump Starting

---

### The Starter Operates Normally

In this case, the starter motor's speed sounds normal, or even faster than normal, when you turn the ignition switch to START (III), but the engine does not run.

- Your car has the Immobilizer System. You should use a properly-coded master or valet key to start the engine (see page [77](#)). A key that is not properly coded will cause the immobilizer system indicator in the dash panel to blink rapidly.
- Are you using the proper starting procedure? Refer to **Starting the Engine** on page [179](#).

- Do you have fuel? Turn the ignition switch to ON (II) for a minute and watch the fuel gauge. The low fuel level warning light may not be working, so you were not reminded to fill the tank.
- There may be an electrical problem, such as no power to the fuel pump. Check all the fuses (see page [297](#)).

If you find nothing wrong, you will need a qualified technician to find the problem. See **Emergency Towing** on page [302](#).

### Jump Starting

If your car's battery has run down, you may be able to start the engine by using a booster battery. Although this seems like a simple procedure, you should take several precautions.

#### **WARNING**

A battery can explode if you do not follow the correct procedure, seriously injuring anyone nearby.

Keep all sparks, open flames, and smoking materials away from the battery.

You cannot start your Acura by pushing or pulling it.

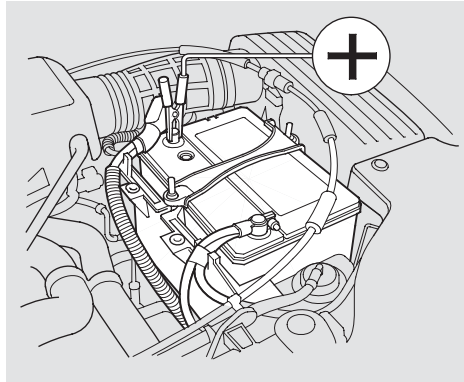
To jump start your car, follow these directions closely:

1. Open the hood and check the physical condition of the battery (see page 243 ). In very cold weather, check the condition of the electrolyte. If it seems slushy or like ice, do not try jump starting until it thaws.

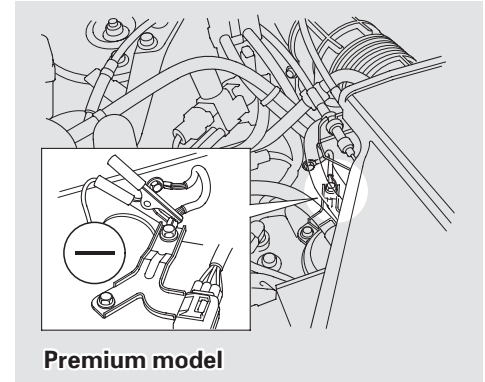
## NOTICE

*If a battery sits in extreme cold, the electrolyte inside can freeze. Attempting to jump start with a frozen battery can cause it to rupture.*

2. Turn off all the electrical accessories: climate control, stereo system, lights, etc. Put the transmission in Neutral or Park and set the parking brake.



3. Remove the battery cover.
4. Connect one jumper cable to the positive (+) terminal on your Acura's battery. Connect the other end to the positive (+) terminal on the booster battery.

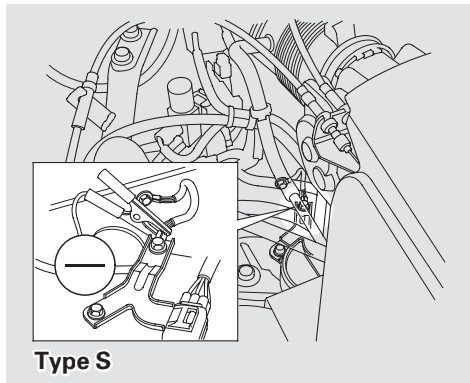


Premium model

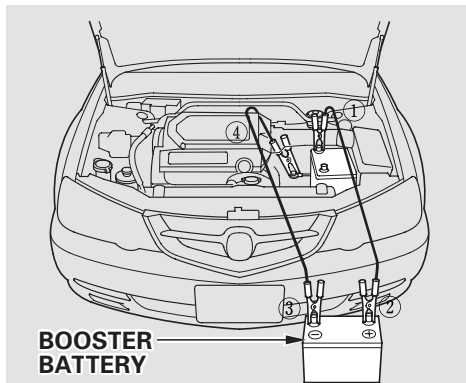
5. Connect the second jumper cable to the negative (-) terminal on the booster battery. Connect the other end to the grounding strap as shown. Do not connect this jumper cable to any other part of the engine.

CONTINUED

## Jump Starting



6. If the booster battery is in another vehicle, have an assistant start that vehicle and run it at a fast idle.



The numbers in the illustration show you the order to connect the jumper cables. Make sure to disconnect the cables in the reverse order.

7. Start your car. If the starter motor still operates slowly, check the jumper cable connections to make sure they have good metal-to-metal contact.

8. Once your car is running, disconnect the negative cable from your car, then from the booster battery. Disconnect the positive cable from your car, then the booster battery.

Keep the ends of the jumper cables away from each other and any metal on the vehicle until all are disconnected. Otherwise, you may cause an electrical short.

## If Your Engine Overheats

The pointer of your car's temperature gauge should stay in the mid-range under most conditions. It may go higher if you are driving up a long steep hill on a very hot day. If it climbs to the red mark, you should determine the reason.

### NOTICE

*Driving with the temperature gauge pointer at the red mark can cause serious damage to your engine.*

Your car can overheat for several reasons, such as lack of coolant or a mechanical problem. The only indication may be the temperature gauge climbing to or above the red mark. Or you may see steam or spray coming from under the car or engine cover. In either case, you should take immediate action.

### **▲ WARNING**

Steam and spray from an overheated engine can seriously scald you.

Do not open the hood if steam is coming out.

1. Safely pull to the side of the road. Put the transmission in Neutral or Park and set the parking brake. Turn off the climate control and all other accessories. Turn on the hazard warning indicators.
2. If you see steam and/or spray coming from under the hood, turn off the engine.
3. If you do not see steam or spray, leave the engine running and watch the temperature gauge. If the high heat is due to overloading (climbing a long, steep hill on a hot day with the A/C running, for example), the engine should start to cool down almost immediately. If it does, wait until the temperature gauge comes down to the mid-point then continue driving.

*CONTINUED*

## If Your Engine Overheats

---

4. If the temperature gauge stays at the red mark, turn off the engine.
5. Wait until you see no more signs of steam or spray, then open the hood.
6. Look for any obvious coolant leaks, such as a split radiator hose. Everything is still extremely hot, so use caution. If you find a leak, it must be repaired before you continue driving (see **Emergency Towing** on page [302](#) ).
7. If you don't find an obvious leak, check the coolant level in the radiator reserve tank (see page [169](#) ). If the level is below the MIN mark, add coolant to halfway between the MIN and MAX marks.
8. If there was no coolant in the reserve tank, you may also have to add coolant to the radiator. Let the engine cool down until the pointer

reaches the middle of the temperature gauge, or lower, before checking the radiator.

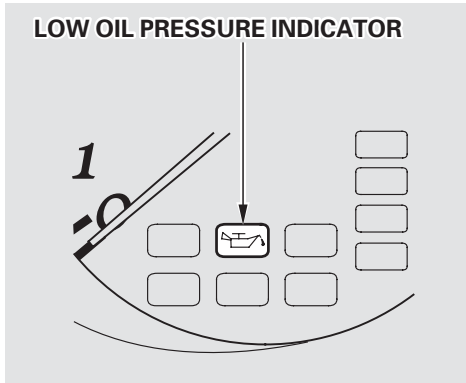
### **▲ WARNING**

Removing the radiator cap while the engine is hot can cause the coolant to spray out, seriously scalding you.

Always let the engine and radiator cool down before removing the radiator cap.

9. Using gloves or a large heavy cloth, turn the radiator cap counterclockwise, without pushing down, to the first stop. This releases any remaining pressure in the cooling system. After the pressure releases, push down on the cap and turn it until it comes off.

10. Start the engine and set the temperature control dial to maximum (climate control to FULL AUTO at 90°F/32°C). Add coolant to the radiator up to the base of the filler neck. If you do not have the proper coolant mixture available, you can add plain water. Remember to have the cooling system drained and refilled with the proper mixture as soon as you can.
11. Put the radiator cap back on tightly. Run the engine and watch the temperature gauge. If it goes back to the red mark, the engine needs repair. (See **Emergency Towing** on page [302](#) .)
12. If the temperature stays normal, check the coolant level in the radiator reserve tank. If it has gone down, add coolant to the MAX mark. Put the cap back on tightly.



This indicator should light when the ignition switch is ON (II), and go out after the engine starts. It should never come on when the engine is running. If it starts flashing, it indicates that the oil pressure dropped very low for a moment, then recovered. If the indicator stays on with the engine running, it shows that the engine has lost oil pressure and serious engine damage is possible. In either case, you should take immediate action.

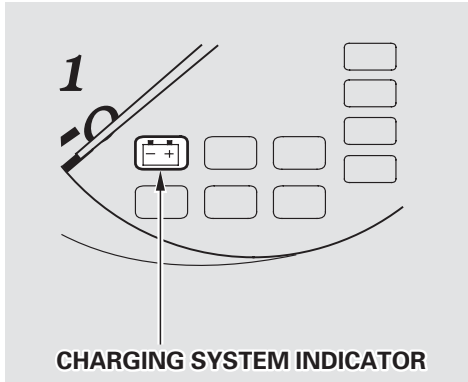
### NOTICE

*Running the engine with low oil pressure can cause serious mechanical damage almost immediately. Turn off the engine as soon as you can safely get the car stopped.*

1. Safely pull off the road and shut off the engine. Turn on the hazard warning indicators.
2. Let the car sit for a minute. Open the hood and check the oil level (see page [168](#)). Although oil level and oil pressure are not directly connected, an engine that is very low on oil can lose pressure during cornering and other driving maneuvers.
3. If necessary, add oil to bring the level back to the full mark on the dipstick (see page [223](#)).
4. Start the engine and watch the oil pressure indicator. If the light does not go out within ten seconds, turn off the engine. There is a mechanical problem that needs to be repaired before you can continue driving. (See **Emergency Towing** on page [302](#).)

# Charging System Indicator

---

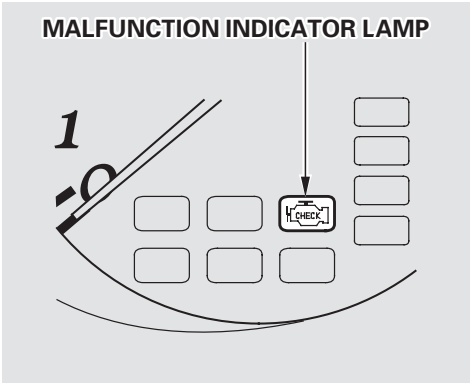


This indicator should come on when the ignition switch is ON (II), and go out after the engine starts. If it comes on brightly when the engine is running, it indicates that the charging system has stopped charging the battery.

Immediately turn off all electrical accessories: radio, climate control, rear defogger, cruise control, etc. Try not to use other electrically-operated controls such as the power windows. Keep the engine running and take extra care not to stall it. Starting the engine will discharge the battery rapidly.

By eliminating as much of the electrical load as possible, you can drive several miles (kilometers) before the battery is too discharged to keep the engine running. Drive to a service station or garage where you can get technical assistance.

# Malfunction Indicator Lamp



This indicator comes on for a few seconds when you turn the ignition switch ON (II). If it comes on at any other time, it indicates one of the engine's emissions control systems may have a problem. Even though you may feel no difference in your car's performance, it can reduce your fuel economy and cause your car to put out excessive emissions. Continued operation may cause serious damage.

If you have recently refueled your car, the cause of this indicator coming on could be a loose or missing fuel fill cap. Check the cap and tighten it until it clicks several times. Replace the fuel fill cap if it is missing. Tightening the cap will not make the indicator turn off immediately; it takes at least three driving trips.

If the indicator remains on past three driving trips, or the fuel cap was not loose or missing, have the car checked by the dealer as soon as possible. Drive moderately until the dealer has inspected the problem. Avoid full-throttle acceleration and driving at high speed.

You should also have the dealer inspect your car if this indicator comes on repeatedly, even though it may turn off as you continue driving.

## NOTICE

*If you keep driving with the malfunction indicator lamp on, you can damage your car's emissions controls and engine. Those repairs may not be covered by your car's warranties.*

CONTINUED



# Malfunction Indicator Lamp

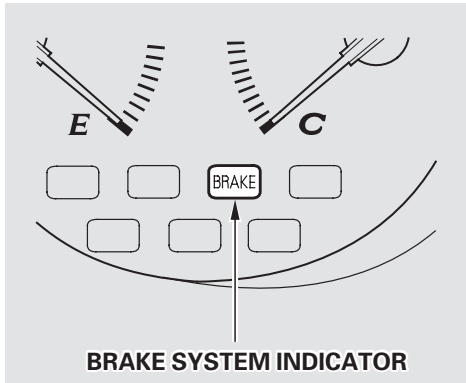
---

## Readiness Codes

Your car has certain “readiness codes” that are part of the on-board diagnostics for the emissions systems. In some states, part of the emissions testing is to make sure these codes are set. If they are not set, the test cannot be completed.

If your car’s battery has been disconnected or gone dead, these codes are erased. It takes several days of driving under various conditions to set the codes again.

If possible, do not take your vehicle for a state emissions test until the readiness codes are set. To check if they are set, turn the ignition ON (II), but do not start the engine. The Malfunction Indicator Lamp will come on for 20 seconds. If it then goes off, the readiness codes are set. If it blinks 5 times, the readiness codes are not set. Refer to State Emissions Testing for more information. (See page [317](#).)



The Brake System Indicator normally comes on when you turn the ignition switch ON (II). It is a reminder to check the parking brake. It comes on and stays lit if you do not fully release the parking brake.

If it comes on at any other time, it indicates a problem with the car's brake system. In most cases, the problem is a low fluid level in the brake fluid reservoir. Press lightly on the brake pedal to see if it feels normal. If it does, check the brake fluid level the next time you stop at a service station (see page 236 ). If the fluid level is low, take the car to your dealer and have the brake system inspected for leaks or worn brake pads.

However, if the brake pedal does not feel normal, you should take immediate action. Because of the brake system's dual-circuit design, a problem in one part of the system will still give you braking at two wheels. You will feel the brake pedal go down much farther before the car begins to slow down, and you will have to press harder on the pedal. The distance needed to stop will be much longer.

Slow down by shifting to a lower gear, and pull to the side of the road when it is safe. Because of the longer distance needed to stop, it is hazardous to drive the car. You should have it towed, and repaired as soon as possible. (See **Emergency Towing** on page 302 .)

If you must drive the car a short distance in this condition, drive slowly and cautiously.

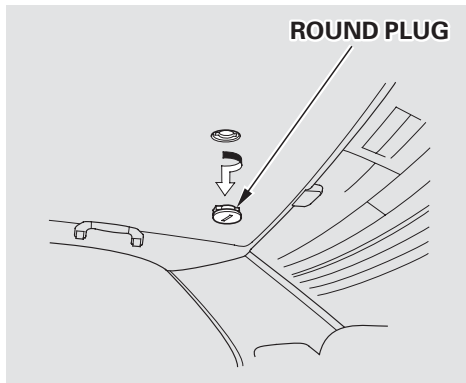
### *Type S*

If the ABS indicator and the VSA system indicator come on with this indicator, have the car inspected by your dealer immediately.

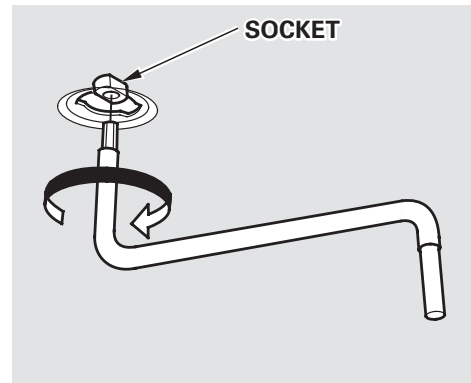
## Closing the Moonroof

If the electric motor will not close the moonroof, do the following:

1. Check the fuse for the moonroof motor (see page 297 ). If the fuse is blown, replace it with one of the same or lower rating.
2. Try closing the moonroof. If the new fuse blows immediately or the moonroof motor still does not operate, you can close the moonroof manually.
3. Get the moonroof wrench out of the tool kit in the trunk.

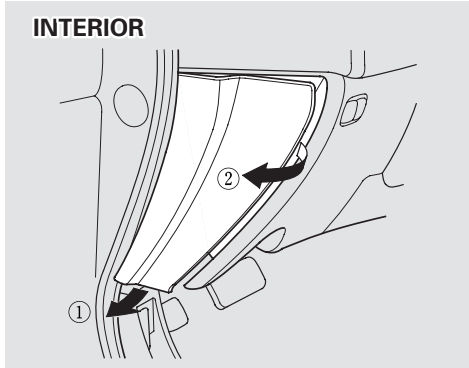


4. Use a screwdriver or coin to remove the round plug in the center of the headliner.

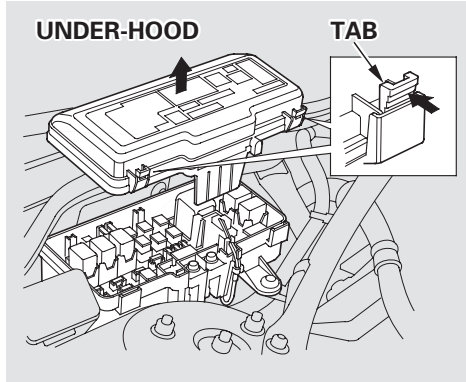


5. Insert the moonroof wrench into the socket behind this plug. Turn the wrench until the moonroof is fully closed.
6. Remove the wrench. Replace the round plug.

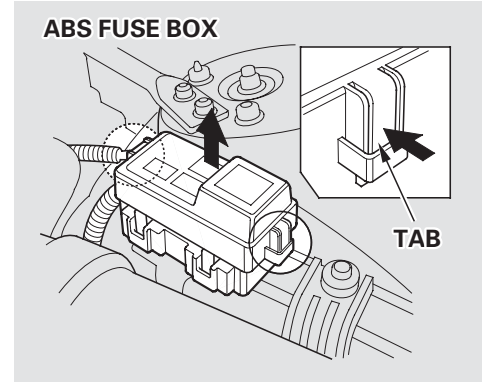
All the electrical circuits in your car have fuses to protect them from a short circuit or overload. These fuses are located in three fuse boxes.



The interior fuse boxes are located on each side of the dashboard. To open an interior fuse box, open the car door. Pull the bottom of the cover open, then take it out of its side hinges by pulling it toward you.



The under-hood fuse box is located in the back of the engine compartment on the passenger's side. To open it, push the tabs as shown.



The fuse box for the ABS is also located in the engine compartment on the driver's side. To open it, push the tabs as shown.

*CONTINUED*

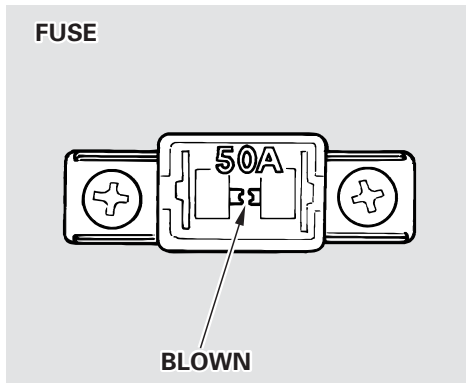
# Fuses

## Checking and Replacing Fuses

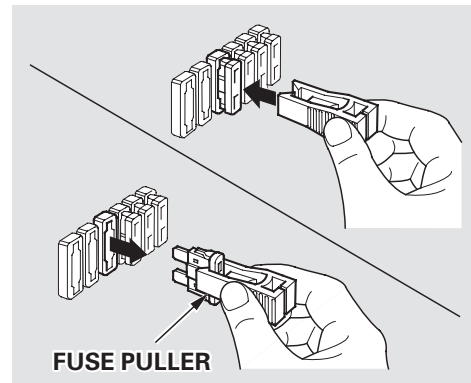
If something electrical in your car stops working, the first thing you should check for is a blown fuse.

Determine from the chart on pages 300 and 302, or the diagram on the fuse box lid, which fuse or fuses control that component. Check those fuses first, but check all the fuses before deciding that a blown fuse is not the cause. Replace any blown fuses and check the component's operation.

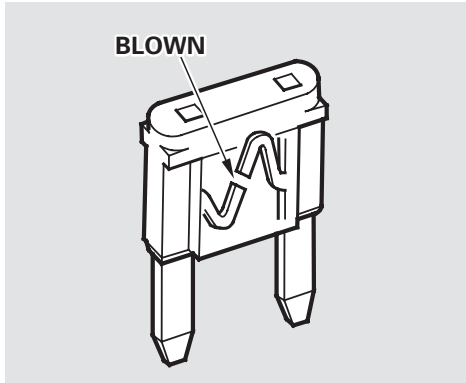
1. Turn the ignition switch to LOCK (0). Make sure the headlights and all other accessories are off.
2. Remove the cover from the fuse box.



3. Check each of the large fuses in the under-hood fuse box by looking through the top at the wire inside. Removing these fuses requires a Phillips-head screwdriver.



4. Check the smaller fuses in the under-hood fuse box and all the fuses in the interior fuse boxes by pulling out each fuse with the fuse puller provided in the under-hood fuse box.



5. Look for a burned wire inside the fuse. If it is burned, replace it with one of the spare fuses of the same rating or lower.

If you cannot drive the car without fixing the problem, and you do not have a spare fuse, take a fuse of the same rating or a lower rating from one of the other circuits. Make sure you can do without that circuit temporarily (such as the accessory power socket or radio).

If you replace the blown fuse with a spare fuse that has a lower rating, it might blow out again. This does not indicate anything wrong. Replace the fuse with one of the correct rating as soon as you can.

## NOTICE

*Replacing a fuse with one that has a higher rating greatly increases the chances of damaging the electrical system. If you do not have a replacement fuse with the proper rating for the circuit, install one with a lower rating.*

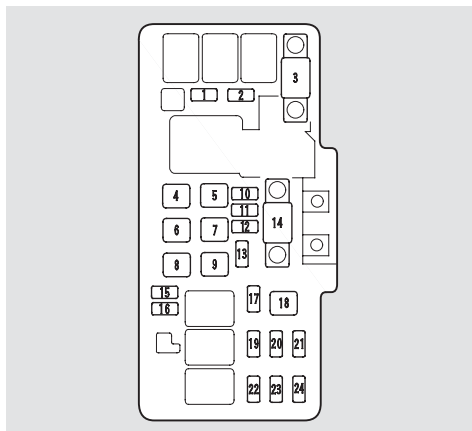
6. If the replacement fuse of the same rating blows in a short time, there is probably a serious electrical problem in your car. Leave the blown fuse in that circuit and have your car checked by a qualified mechanic.

If the radio fuse is removed, the audio system will disable itself. The next time you turn on the radio you will see “Code” in the frequency display. Use the Preset buttons to enter the five-digit code (see page [151](#) ).

*CONTINUED*

# Fuses

## UNDER-HOOD FUSE BOX



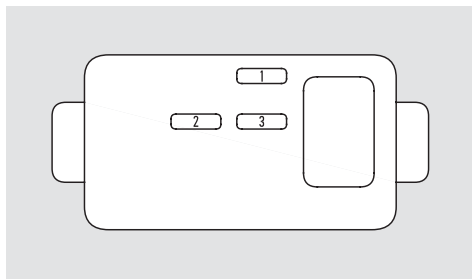
No.	Amps.	Circuits Protected
1* <sup>1</sup>	20 A	Condenser Fan
1* <sup>2</sup>	30 A	Condenser Fan
2	15 A	Small Light
3	60 A	IG1 Main
4	40 A	Rear Window Defogger
5	40 A	Heater Motor
6	20 A	Fog Light
7	40 A	Power Seat
8	40 A	Power Window Motor
9	40 A	Back Up, ACC
10	15 A	Spare Fuse
11	10 A	Spare Fuse
12	7.5 A	Spare Fuse

No.	Amps.	Circuits Protected
13* <sup>1</sup>	20 A	Cooling Fan
13* <sup>2</sup>	30 A	Cooling Fan
14	120 A	Battery
15	30 A	Spare Fuse
16	20 A	Spare Fuse
17	15 A	Hazard
18* <sup>2</sup>	30 A	VSA Throttle Motor
19	15 A	ACG S
20	20 A	Stop
21	20 A	TCS, VSA F/S
22	20 A	Right Headlight
23	—	Not Used
24	20 A	Left Headlight

\* 1 : Premium model

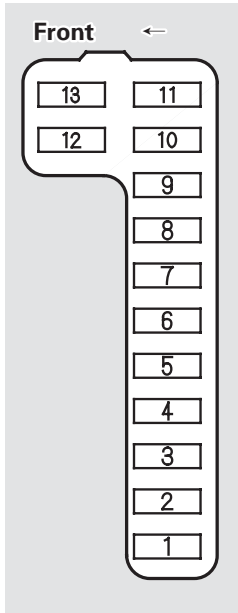
\* 2 : Type S only

## ABS FUSE BOX



No.	Amps.	Circuits Protected
1	40 A	ABS Motor
2	20 A	ABS F/S
3	7.5 A	ABS Motor Check

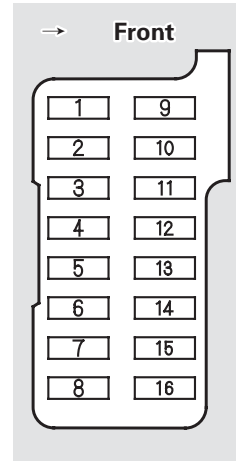
## INTERIOR FUSE BOXES Driver's Side



No.	Amps.	Circuits Protected
1	15 A	Fuel Pump
2	10 A	SRS
3	7.5 A	Heater Control, A/C Clutch Relay, Cooling Fan Relay
4	7.5 A	R/C Mirror
5	7.5 A	Daytime Running Lights*
6	15 A	ECU (ECM/PCM), Cruise Control
7	7.5 A	Moonroof
8	7.5 A	ACC Relay, Navigation
9	7.5 A	Instrument Panel, Back-up Lights, Memory Seat
10	7.5 A	Turn Signals
11	15 A	IG Coil
12	30 A	Wiper, Washer
13	7.5 A	Starter Signal

\* : On Canadian models

## Passenger's Side



No.	Amps.	Circuits Protected
1	20 A	Driver's Power Window
2	20 A	Driver's Power Seat Reclining
3	20 A	Heated Seat
4	20 A	Driver's Power Seat Slide
5	20 A	Passenger's Power Seat Slide
6	20 A	Passenger's Power Seat Reclining
7	20 A	Rear Left Power Window
8	20 A	Front Right Power Window
9	20 A	ACC (Radio)
10	10 A	Navigation System, Daytime Running Lights* <sup>1</sup>
11	7.5 A	Interior Light, Courtesy Lights
12	20 A	Power Door Locks
13	7.5 A	Clock, Back up
14* <sup>2</sup>	7.5 A	A/C Mg Clutch
15	30 A	Moonroof
16	20 A	Rear Right Power Window

\* 1 : On Canadian models

\* 2 : Type S only



## Emergency Towing

---

If your car needs to be towed, call a professional towing service or, if you belong to one, an organization that provides roadside assistance. Never tow your car behind another vehicle with just a rope or chain. It is very dangerous.

There are three popular types of professional towing equipment.

***Flat-bed Equipment*** — The operator loads your car on the back of a truck. **This is the best way to transport your Acura.**

***Wheel-lift Equipment*** — The tow truck uses two pivoting arms that go under the tires (front or rear) and lift them off the ground. The other two tires remain on the ground. **This is an acceptable way to tow your Acura.**

***Sling-type Equipment*** — The tow truck uses metal cables with hooks on the ends. These hooks go around parts of the frame or suspension and the cables lift that end of the car off the ground. Your car's suspension and body can be seriously damaged. **This method of towing is unacceptable.**

If your Acura cannot be transported by flat-bed, it should be towed by wheel-lift equipment with the front wheels off the ground. If, due to damage, your car must be towed with the front wheels on the ground, do the following.

- Release the parking brake.
- Start the engine.
- Shift to D5, then to N.
- Turn off the engine.

### NOTICE

*Improper towing preparation will damage the transmission. Follow the above procedure exactly. If you cannot shift the transmission or start the engine, your car must be transported with the front wheels off the ground.*

With the front wheels on the ground, it is best to tow the car no farther than 50 miles (80 km), and keep the speed below 35 mph (55 km/h).

If you decide to tow your car with all four wheels on the ground, make sure you use a properly-designed and attached tow bar. Prepare the car for towing as described above, and leave the ignition switch in Accessory (I) so the steering wheel does not lock. Make sure the radio and any items plugged into the accessory power socket are turned off so they do not run down the battery.

### NOTICE

*The steering system can be damaged if the steering wheel is locked. Leave the ignition switch in Accessory (I), and make sure the steering wheel turns freely before you begin towing.*

### NOTICE

*Trying to lift or tow your car by the bumpers will cause serious damage. The bumpers are not designed to support the car's weight.*



The diagrams in this section give you the dimensions and capacities of your Acura, and the locations of the identification numbers. It also includes information you should know about your vehicle's tires and emissions control systems.

- Identification Numbers..... 306
- Specifications ..... 308
- DOT Tire Quality Grading
  - (U.S. Cars) ..... 310
  - Treadwear ..... 310
  - Traction – AA, A, B, C ..... 310
  - Temperature – A, B, C ..... 311
- Oxygenated Fuels..... 312
- Driving in Foreign Countries ..... 313

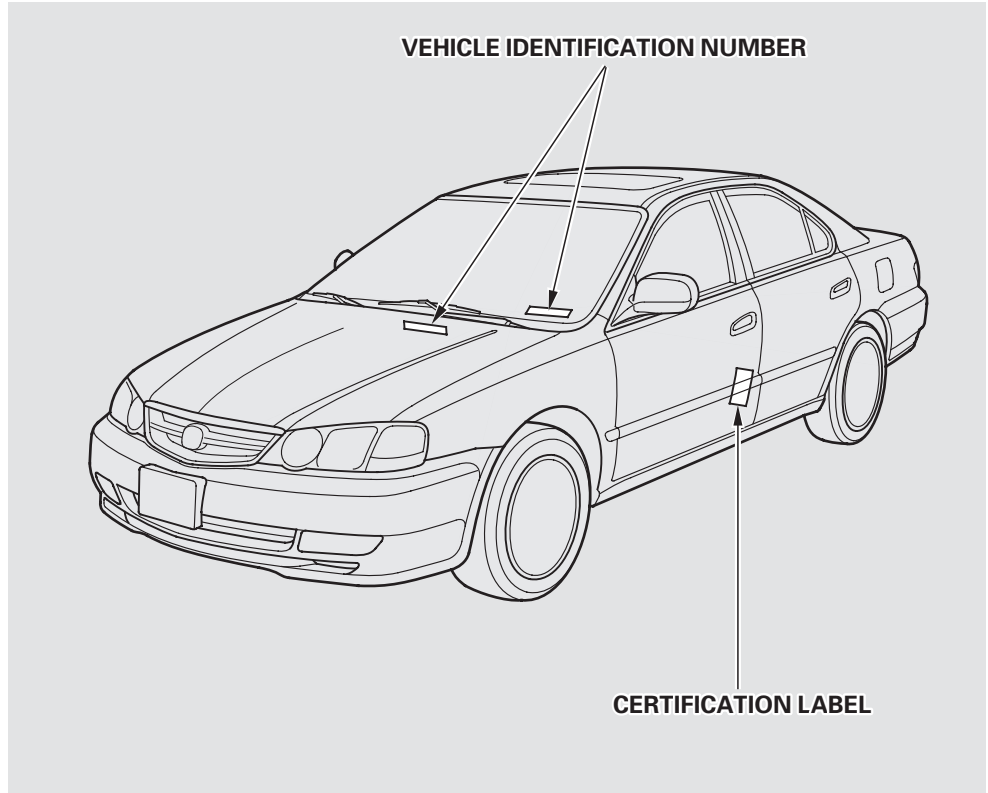
- Emissions Controls..... 314
  - The Clean Air Act..... 314
  - Crankcase Emissions Control System..... 314
  - Evaporative Emissions Control System..... 314
  - Onboard Refueling Vapor Recovery ..... 314
  - Exhaust Emissions Controls .... 315
    - PGM-FI System ..... 315
    - Ignition Timing Control System..... 315
    - Exhaust Gas Recirculation (EGR) System..... 315
    - Three Way Catalytic Converter..... 315
  - Replacement Parts..... 315
  - Three Way Catalytic Converter... 316
  - State Emissions Testing ..... 317

## Identification Numbers

---

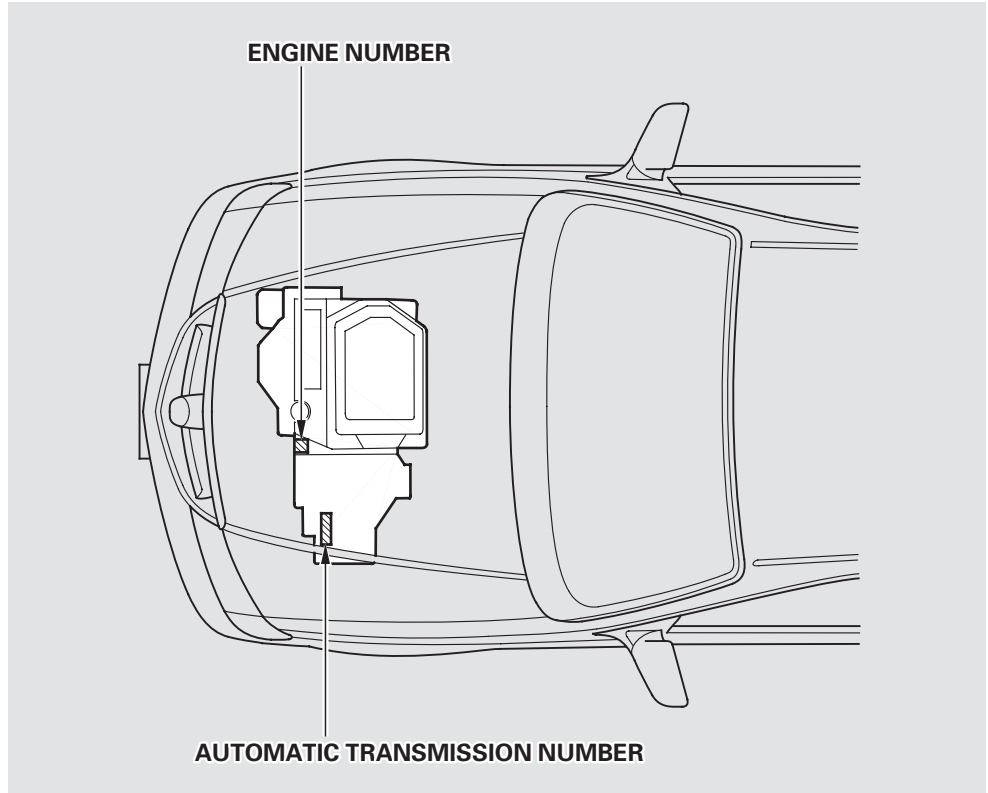
Your car has several identifying numbers located in various places.

The Vehicle Identification Number (VIN) is the 17-digit number your Acura dealer uses to register your car for warranty purposes. It is also necessary for licensing and insuring your car. The easiest place to find the VIN is on a plate fastened to the top of the dashboard. You can see it by looking through the windshield on the driver's side. It is also on the Certification label attached to the driver's doorjamb, and is stamped on the engine compartment bulkhead. The VIN is also provided in bar code on the Certification label.



The Engine Number is stamped into the engine block. It is on the front.

The Transmission Number is on a label on top of the transmission.



# Specifications

## Dimensions

Length		192.5 in (4,890 mm)
Width		70.7 in (1,795 mm)
Height		55.7 in (1,415 mm)
Wheelbase		108.1 in (2,745 mm)
Track	Front	61.2 in (1,555 mm)
	Rear	60.4 in (1,535 mm)

## Weights

Gross vehicle weight rating	See the certification label attached to the driver's doorjamb.	
-----------------------------	--	--

## Air Conditioning

Refrigerant type	HFC-134a (R-134a)	
Charge quantity	25–27 oz (700–750 g)	
Lubricant type	ND-OIL8	

## Capacities

Fuel tank	Approx. 17.17 US gal (65.0 ℓ , 14.30 Imp gal)	
-----------	--	--

## Capacities

Engine coolant	Change* <sup>1</sup>	1.48 US gal (5.6 ℓ , 1.23 Imp gal)
	Total	1.98 US gal (7.5 ℓ , 1.65 Imp gal)
Engine oil	Change* <sup>2</sup>	
	Including filter	4.6 US qt (4.4 ℓ , 3.9 Imp qt)
	Without filter	4.2 US qt (4.0 ℓ , 3.5 Imp qt)
	Total	5.3 US qt (5.0 ℓ , 4.4 Imp qt)
Automatic transmission fluid	Change	3.1 US qt (2.9 ℓ , 2.6 Imp qt)
	Total	7.6 US qt (7.2 ℓ , 6.3 Imp qt)
Windshield washer reservoir	U.S. Cars	2.6 US qt (2.5 ℓ , 2.2 Imp qt)
	Canada Cars	4.8 US qt (4.5 ℓ , 4.0 Imp qt)

\* 1 : Including the coolant in the reserve tank and that remaining in the engine.

Reserve tank capacity: 0.16 US gal (0.6 ℓ , 0.13 Imp gal)

\* 2 : Excluding the oil remaining in the engine.

## Lights

Headlights*	12 V — 60 W (HB3) (High beam)
Front turn signal/Side marker/ Parking lights	12 V — 24/2.2 CP
Fog Lights	12 V — 51 W (HB4)
Rear turn signal lights	12 V — 21 W
Stop/Taillights	12 V — 21/5 W
High-mount brake light	12 V — 21 W
Back-up lights	12 V — 18 W
License plate light	12 V — 3 CP
Ceiling light	12 V — 7 W
Trunk light	12 V — 5 W
Door courtesy lights	12 V — 2 CP
Vanity mirror lights	12 V — 1.1 W
Spotlights	12 V — 4 CP

\* Low beam headlight bulbs are a type of high voltage discharge tube.

## Battery

Capacity	12 V — 65 AH/20 HR
----------	--------------------

## Fuses

Interior	See page 301 or the fuse label attached to the inside of the fuse box door on each side of the dashboard.
Under-hood	See page 300 or the fuse box cover.

## Engine

Type	Water cooled 4-stroke SOHC VTEC 6-cylinder (V6), gasoline engine
Bore x Stroke	3.50 x 3.39 in (89.0 x 86.0 mm)
Displacement	195.8 cu-in (3,210 cm <sup>3</sup> )
Compression ratio	9.8 : 1* <sup>1</sup> 10.5 : 1* <sup>2</sup>
Spark plugs	See spark plug maintenance section page 242 .

\* 1 : Premium model

\* 2 : Type S

## Alignment

Toe-in	Front	0.00 in (0.0 mm)
	Rear	0.08 in (2.0 mm)
Camber	Front	0°
	Rear	−0°30'
Caster	Front	3°00'

## Tires

Size	Front/Rear	P205/60R16 91V * <sup>1</sup> P215/50R17 93V * <sup>2</sup>
	Spare	T135/80R16 101M
Pressure	Front/Rear	32 psi (220 kPa , 2.2 kgf/cm <sup>2</sup> )
	Spare	60 psi (420 kPa , 4.2 kgf/cm <sup>2</sup> )

\* 1 : Premium model

\* 2 : Type S



## DOT Tire Quality Grading (U.S. Cars)

---

The tires on your car meet all U.S. Federal Safety Requirements. All tires are also graded for treadwear, traction, and temperature performance according to Department of Transportation (DOT) standards. The following explains these gradings.

### **Uniform Tire Quality Grading**

Quality grades can be found where applicable on the tire sidewall between the tread shoulder and the maximum section width. For example:

**Treadwear 200**  
**Traction AA**  
**Temperature A**

### **Treadwear**

The treadwear grade is a comparative rating based on the wear rate of the tire when tested under controlled conditions on a specified government test course. For example, a tire graded 150 would wear one and one-half (1 1/2) times as well on the government course as a tire graded 100. The relative performance of tires depends upon the actual conditions of their use, however, and may depart significantly from the norm due to variations in driving habits, service practices and differences in road characteristics and climate.

### **Traction – AA, A, B, C**

The traction grades, from highest to lowest, are AA, A, B, and C. Those grades represent the tire's ability to stop on wet pavement as measured under controlled conditions on specified government test surfaces of asphalt and concrete. A tire marked C may have poor traction performance.

**Warning:** The traction grade assigned to this tire is based on straight-ahead braking traction tests, and does not include acceleration, cornering, hydroplaning, or peak traction characteristics.

### **Temperature – A, B, C**

The temperature grades are A (the highest), B, and C, representing the tire's resistance to the generation of heat and its ability to dissipate heat when tested under controlled conditions on a specified indoor laboratory test wheel. Sustained high temperature can cause the material of the tire to degenerate and reduce tire life, and excessive temperature can lead to sudden tire failure. The grade C corresponds to a level of performance which all passenger car tires must meet under the Federal Motor Vehicle Safety Standard No. 109. Grades B and A represent higher levels of performance on the laboratory test wheel than the minimum required by law.

Warning: The temperature grade for this tire is established for a tire that is properly inflated and not overloaded. Excessive speed, underinflation, or excessive loading, either separately or in combination, can cause heat buildup and possible tire failure.

## Oxygenated Fuels

---

Some conventional gasolines are being blended with alcohol or an ether compound. These gasolines are collectively referred to as oxygenated fuels. To meet clean air standards, some areas of the United States and Canada use oxygenated fuels to help reduce emissions.

If you use an oxygenated fuel, be sure it is unleaded and meets the minimum octane rating requirement.

Before using an oxygenated fuel, try to confirm the fuel's contents. Some states/provinces require this information to be posted on the pump.

The following are the U.S. EPA and Canadian CGSB approved percentages of oxygenates:

**ETHANOL** (ethyl or grain alcohol)  
You may use gasoline containing up to 10 percent ethanol by volume. Gasoline containing ethanol may be marketed under the name "Gasohol."

**MTBE** (Methyl Tertiary Butyl Ether)  
You may use gasoline containing up to 15 percent MTBE by volume.

**METHANOL** (methyl or wood alcohol)  
Your vehicle was not designed to use fuel that contains methanol. Methanol can corrode metal parts in the fuel system, and also damage plastic and rubber components. This damage would not be covered by your warranties.

If you notice any undesirable operating symptoms, try another service station or switch to another brand of gasoline.

Fuel system damage or performance problems resulting from the use of an oxygenated fuel containing more than the percentages of oxygenates given above are not covered under warranty.

If you are planning to take your Acura outside the U.S. or Canada, contact the tourist bureaus in the areas you will be traveling in to find out about the availability of unleaded gasoline with the proper octane rating.

If unleaded gasoline is not available, be aware that using leaded gasoline in your Acura will affect performance and fuel mileage, and damage its emissions controls. It will no longer comply with U.S. and Canadian emissions regulations, and will be illegal to operate in North America. To bring your car back into compliance will require the replacement of several components, such as the oxygen sensors and the three way catalytic converter. These replacements are not covered under warranty.

# Emissions Controls

---

The burning of gasoline in your car's engine produces several byproducts. Some of these are carbon monoxide (CO), oxides of nitrogen (NO<sub>x</sub>) and hydrocarbons (HC). Gasoline evaporating from the tank also produces hydrocarbons. Controlling the production of NO<sub>x</sub>, CO, and HC is important to the environment. Under certain conditions of sunlight and climate, NO<sub>x</sub> and HC react to form photochemical "smog." Carbon monoxide does not contribute to smog creation, but it is a poisonous gas.

## **The Clean Air Act**

The United States Clean Air Act\* sets standards for automobile emissions. It also requires that automobile manufacturers explain to owners how their emissions controls work and what to do to maintain them. This section summarizes how the emissions controls work. Scheduled maintenance is on page 214 .

\* In Canada, Acura vehicles comply with the Canadian Motor Vehicle Safety Standards (CMVSS) for Emissions valid at the time they are manufactured.

## **Crankcase Emissions Control System**

Your car has a Positive Crankcase Ventilation System. This keeps gasses that build up in the engine's crankcase from going into the atmosphere. The Positive Crankcase Ventilation valve routes them from

the crankcase back to the intake manifold. They are then drawn into the engine and burned.

## **Evaporative Emissions Control System**

As gasoline evaporates in the fuel tank, an evaporative emissions control canister filled with charcoal adsorbs the vapor. It is stored in this canister while the engine is off. After the engine is started and warmed up, the vapor is drawn into the engine and burned during driving.

## **Onboard Refueling Vapor Recovery**

The Onboard Refueling Vapor Recovery (ORVR) system captures the fuel vapors during refueling. The vapors are adsorbed in a canister filled with activated carbon. While driving, the fuel vapors are drawn into the engine and burned off.

## **Exhaust Emissions Controls**

The exhaust emissions controls include four systems: PGM-FI, Ignition Timing Control, Exhaust Gas Recirculation and Three Way Catalytic Converter. These four systems work together to control the engine's combustion and minimize the amount of HC, CO, and NOx that comes out the tailpipe. The exhaust emissions control systems are separate from the crankcase and evaporative emissions control systems.

### ***PGM-FI System***

The PGM-FI System uses sequential multiport fuel injection. It has three subsystems: Air Intake, Engine Control, and Fuel Control. The Powertrain Control Module (PCM) uses various sensors to determine how much air is going into the engine. It then controls how much fuel to inject under all operating conditions.

### ***Ignition Timing Control System***

This system constantly adjusts the ignition timing, reducing the amount of HC, CO and NOx produced.

### ***Exhaust Gas Recirculation (EGR) System***

The Exhaust Gas Recirculation (EGR) system takes some of the exhaust gas and routes it back into the intake manifold. Adding exhaust gas to the air/fuel mixture reduces the amount of NOx produced when the fuel is burned.

### ***Three Way Catalytic Converter***

The three way catalytic converter is in the exhaust system. Through chemical reactions, it converts HC, CO, and NOx in the engine's exhaust to carbon dioxide (CO<sub>2</sub>), dinitrogen (N<sub>2</sub>), and water vapor.

## **Replacement Parts**

The emissions control systems are designed and certified to work together in reducing emissions to levels that comply with the Clean Air Act. To make sure the emissions remain low, you should use only new Genuine Honda replacement parts or their equivalent for repairs. Using lower quality parts may increase the emissions from your car.

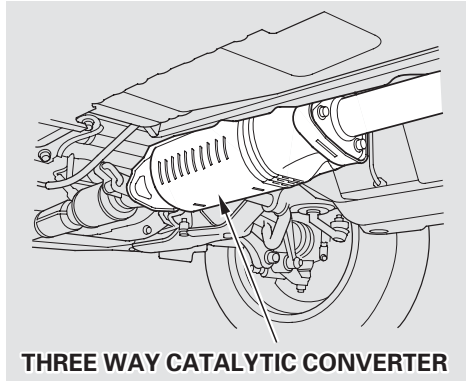
The emissions control systems are covered by warranties separate from the rest of your car. Read your warranty manual for more information.

## Three Way Catalytic Converter

---

The three way catalytic converter contains platinum, palladium and rhodium. These metals serve as catalysts, promoting chemical reactions to convert the exhaust gasses without affecting the metals. The catalytic converter is referred to as a three-way catalyst, since it acts on HC, CO, and NOx. A replacement unit must be an original Acura part or its equivalent.

The three way catalytic converter must operate at a high temperature for the chemical reactions to take place. It can set on fire any combustible materials that come near it. Park your car away from high grass, dry leaves, or other flammables.



A defective three way catalytic converter contributes to air pollution, and can impair your engine's performance. Follow these guidelines to protect your car's three way catalytic converter.

- Always use unleaded gasoline. Even a small amount of leaded gasoline can contaminate the catalyst metals, making the three way catalytic converter ineffective.

- Keep the engine tuned-up.
- Have your car diagnosed and repaired if it is misfiring, backfiring, stalling, or otherwise not running properly.

### Testing of Readiness Codes

If you take your vehicle for a state emissions test shortly after the battery has been disconnected or gone dead, it may not pass the test. This is because of certain “readiness codes” that must be set in the on-board diagnostics for the emissions systems. These codes are erased when the battery is disconnected, and set again only after several days of driving under a variety of conditions.

If the testing facility determines that the readiness codes are not set, you will be requested to return at a later date to complete the test. If you must get the vehicle re-tested within the next two or three days, you can condition the vehicle for re-testing by doing the following.

- Make sure the gas tank is nearly, but not completely, full (around 3/4).
- Make sure the vehicle has been parked with the engine off for 8 hours or more.
- Make sure the ambient temperature is between 20° and 95°F.

- Without touching the accelerator pedal, start the engine and let it idle for 20 seconds.
- Keep the vehicle in Park . Increase the engine speed to 2,000 rpm and hold it there until the temperature gauge rises to at least 1/4 of the scale (approximately 3 minutes).

*CONTINUED*



## State Emissions Testing

---

- Select a nearby lightly traveled major highway where you can maintain a speed of 50 to 60 mph for at least 20 minutes. Drive on the highway in D5. Do not use the cruise control. When traffic allows, drive for 90 seconds without moving the accelerator pedal. (Vehicle speed may vary slightly; this is okay.) If you cannot do this for a continuous 90 seconds because of traffic conditions, drive for at least 30 seconds, then repeat it two more times (for a total of 90 seconds).
- Then drive in city/suburban traffic for at least 10 minutes. When traffic conditions allow, let the vehicle coast for several seconds without using the accelerator pedal or the brake pedal.

If the testing facility determines the readiness codes are still not set, see your Acura dealer.

# Warranty and Customer Relations

---

Customer Relations	
Information.....	320
Canada Zone Office Map.....	321
Warranty Coverages .....	322
Reporting Safety Defects	
(U.S. Vehicles) .....	323

## Customer Relations Information

---

Acura dealership personnel are trained professionals. They should be able to answer all your questions. If you encounter a problem that your dealership does not solve to your satisfaction, please discuss it with the dealership's management. The Service Manager or General Manager can help. Almost all problems are solved in this way.

If you are dissatisfied with the decision made by the dealership's management, contact the Acura Customer Relations Office.

U.S. Owners:  
Acura Automobile Division  
Client Services Office  
American Honda Motor Co., Inc.  
1919 Torrance Blvd.  
Torrance, CA 90501-2746

or telephone: (800) 382-2238

In Puerto Rico and the U.S. Virgin Islands:

Vortex Motor Corp.  
Bella International  
P.O. Box 190816  
San Juan, PR 00919-0816  
(787) 250-4327

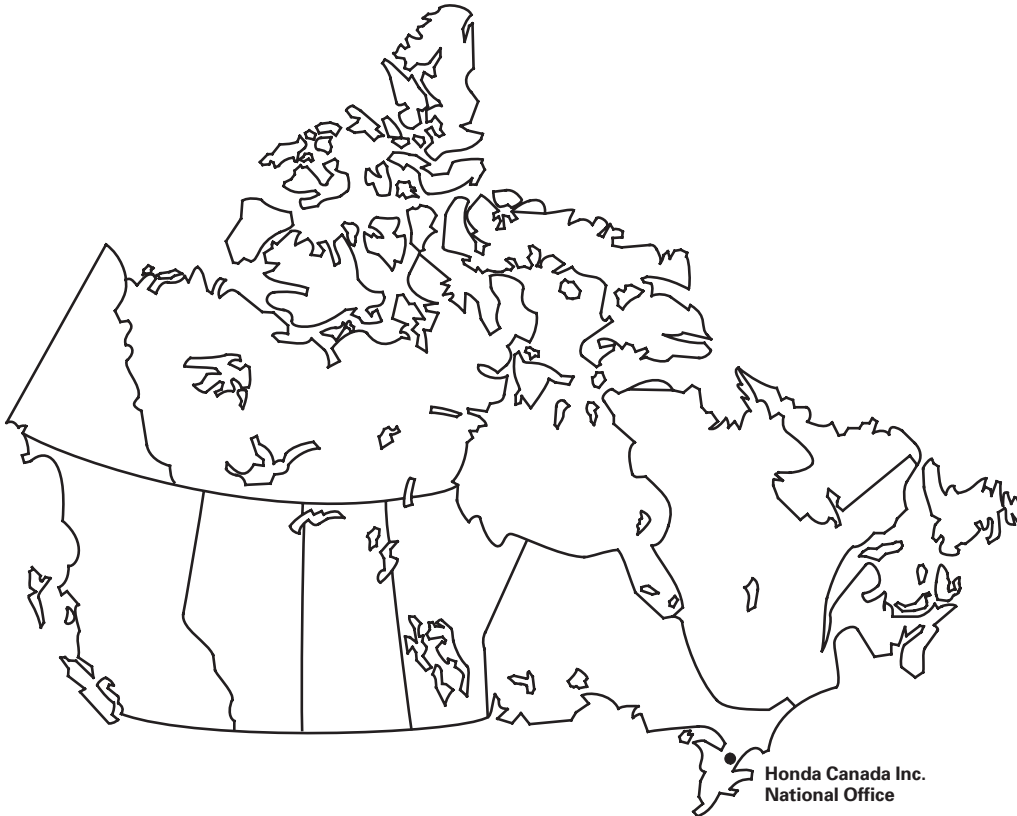
Canadian Owners:  
Refer to the Canadian Zone Office  
Map on the next page.

When you call or write, please give us this information:

- Vehicle Identification Number (see page 306 )
- Name and address of the dealer who services your car
- Date of purchase
- Mileage on your car
- Your name, address, and telephone number
- A detailed description of the problem
- Name of the dealer who sold the car to you

# Canada Zone Office Map

---



## **CUSTOMER RELATIONS RELATIONS AVEC LA CLIENTÈLE**

Honda Canada Inc.  
715 Milner Avenue  
Toronto, ON  
M1B 2K8

Tel: 1-888-9-ACURA-9

Fax: Toll-free 1-877-939-0909  
Toronto (416) 287-4776

## Warranty Coverages

---

### U.S. Owners

Your new Acura is covered by these warranties:

***New Vehicle Limited Warranty*** — covers your new vehicle, except for the battery, emissions control systems and accessories, against defects in materials and workmanship.

***Emissions Control Systems Defects Warranty and Emissions Performance Warranty*** — these two warranties cover your vehicle's emissions control systems. Time, mileage, and coverage are conditional. Please read the warranty manual for exact information.

***Original Equipment Battery Limited Warranty*** — this warranty gives up to 100 percent credit toward a replacement battery.

***Seat Belt Limited Warranty*** — a seat belt that fails to function properly is covered for the useful life of the vehicle.

***Rust Perforation Limited Warranty*** — all exterior body panels are covered for rust-through from the inside for the specified time period with no mileage limit.

***Accessory Limited Warranty*** — genuine Acura Accessories are covered under this warranty. Time and mileage limits depend on the type of accessory and other factors. Please read your warranty manual for details.

***Replacement Parts Limited Warranty*** — covers all genuine Acura replacement parts against defects in materials and workmanship.

***Replacement Battery Limited Warranty*** — provides prorated coverage for a replacement battery purchased from an Acura dealer.

***Replacement Muffler Lifetime Limited Warranty*** — provides coverage for as long as the purchaser of the muffler owns the vehicle.

Restrictions and exclusions apply to all these warranties. Please read the 2002 Acura Warranty Information booklet that came with your car for precise information on warranty coverages. Your Acura's original tires are covered by their manufacturer. Tire warranty information is in a separate booklet.

### Canadian Owners

Please refer to the 2002 Warranty Manual that came with your car.

## Reporting Safety Defects (U.S. Vehicles)

---

If you believe that your vehicle has a defect which could cause a crash or could cause injury or death, you should immediately inform the National Highway Traffic Safety Administration (NHTSA) in addition to notifying Acura Automobile Division, American Honda Motor Co., Inc.

If NHTSA receives similar complaints, it may open an investigation, and if it finds that a safety defect exists in a group of vehicles, it may order a recall and remedy campaign. However, NHTSA cannot become involved in individual problems between you, your dealer, or Acura Automobile Division, American Honda Motor Co., Inc.

To contact NHTSA, you may either call the Auto Safety Hotline toll-free at 1-800-424-9393 (or 366-0123 in Washington D.C. area) or write to: NHTSA, U.S. Department of Transportation, Washington, D.C. 20590. You can also obtain other information about motor vehicle safety from the Hotline.



## Purchasing Factory Authorized Manuals (U.S. only)

The following publications covering the operation and servicing of your vehicle can be obtained from Helm Incorporated, either by filling out the attached form or, for credit card holders, calling the toll-free phone number on the form. For manuals prior to the year shown below, contact Helm Incorporated, P.O. Box 07280, Detroit, Michigan 48207, or call 1-800-782-4356.

Publication Form Number	Form Description	Price Each*
61S0K02	1999-2001 Acura 3.2 TL Service Manual	\$67.00
61S0K03	2002 Acura 3.2 TL Service Manual Supplement	\$36.00
61S0K03EL	1999-2002 Acura 3.2 TL Electrical Troubleshooting Manual	\$45.00
61S0K30	1999-2002 Acura 3.2 TL Body Repair Manual	\$42.00
31S0K630	2002 Acura 3.2 TL Owner's Manual	\$35.00
31S0K730	2002 Acura 3.2 TL Navigation Manual	\$27.00
ACU-R	Order Form for Previous Years- Indicate Year and Model Desired	FREE

\* Prices are subject to change without notice and without incurring obligation.

*Valid only for sales within the U.S. Canadian owners should contact their authorized Acura dealer.*

**ORDER TOLL FREE: 1-800-782-4356**

**(NOTE: For Credit Card Holder Orders Only)**

Monday-Friday 8:00 A.M. – 6:00 P.M. EST

**MINIMUM CREDIT CARD PURCHASE \$10.00**

**OR**

By completing this form you can order the materials desired. You can pay by check or money order, or charge to your credit card. Mail to Helm Incorporated at the address shown on the back of the order form.

2 0 0 2  A C U	PUBLICATION NUMBER	VEHICLE MODEL		Qty	Price Each*	Total Price
		Name	Year			
* Prices are subject to change without notice and without incurring obligation.					TOTAL MATERIAL	
					Mich. Purchases Add 6% Sales Tax	
Orders are mailed within 10 days. Please allow adequate time for delivery.					HANDLING CHARGE \$6.00	
					GRAND TOTAL	



# Authorized Manuals

S H I P  T O	NOTE: Dealers and Companies please provide dealer or company name, and also the name of the person to whose attention the shipment should be sent. For purchases outside U.S.A. please write to the address shown below for a quotation.	
	Customer Name _____	Attention _____
	Street Address — No P.O. Box Number _____	Apartment Number _____
	City _____	State & Zip Code _____
	Daytime Telephone Number (     ) _____	

P A Y M E N T	<input type="checkbox"/> Check or money order enclosed payable to Helm Inc — U.S. funds only. Do not send cash					
	<input type="checkbox"/> Master Card <input type="checkbox"/> VISA <input type="checkbox"/> Check here if your billing address is different from the shipping address shown above.					
	Account Number _____     Expiration: Mo. Yr. _____					
	<table border="1" style="width: 100%; border-collapse: collapse;"><tr><td style="width: 25%;"> </td><td style="width: 25%;"> </td><td style="width: 25%;"> </td><td style="width: 25%;"> </td><td style="width: 25%;"> </td></tr></table>					
_____ CUSTOMER SIGNATURE     DATE						

These Publications cannot be returned for credit without receiving advance authorization within 14 days of delivery. On returns, a restocking fee may be applied against the original order.

**HELM** P.O. BOX 07280-DETROIT, MICHIGAN 48207-1-800-782-4356

## Service Manual:

This manual covers maintenance and recommended procedures for repair to engine and chassis components. It is written for the Journeyman mechanic, but is simple enough for most mechanically-inclined owners to understand.

## Electrical Troubleshooting Manual:

This manual complements the Service Manual by providing in-depth troubleshooting information for each electrical circuit in your vehicle.

## Body Repair Manual:

This manual describes the procedures involved in the replacement of damaged body parts.

**A**

Accessories and Modifications .... 171  
 Accessories..... 171  
 Additional Safety Precautions.. 172  
 Modifications ..... 172  
 ACCESSORY (Ignition Key  
 Position) ..... 79  
 Accessory Power Sockets..... 110  
 Additives, Engine Oil..... 225  
 Airbag (SRS) ..... 9, 47  
 Air Cleaner Element..... 238  
 Air Conditioning Filter ..... 249  
 Air Conditioning System..... 116, 123  
 Maintenance..... 248  
 Usage ..... 118, 123  
 Air Pressure, Tires ..... 251  
 Alcohol in Gasoline..... 312  
 Antifreeze ..... 228  
 Anti-lock Brakes (ABS)  
 Indicator..... 60, 192  
 Operation ..... 191  
 Anti-theft, Audio System..... 151  
 Anti-theft Steering Column Lock .. 78  
 Appearance Care ..... 269  
 Audio System ..... 129

Automatic Lighting Off Feature .... 70  
 Automatic Seat Belt Tensioners .... 45  
 Automatic Speed Control..... 153  
 Automatic Transmission..... 180  
 Capacity, Fluid ..... 308  
 Checking Fluid Level..... 234  
 Shifting..... 180  
 Shift Lever Position Indicator .. 180  
 Shift Lever Positions ..... 181  
 Shift Lock Release..... 187

**B**

Battery  
 Charging System  
 Indicator..... 59, 292  
 Jump Starting ..... 286  
 Maintenance..... 243  
 Specifications ..... 309  
 Before Driving ..... 163  
 Belts, Seat ..... 8, 44  
 Beverage Holder..... 108  
 Body Repair ..... 276  
 Brakes  
 Anti-lock System (ABS) ..... 191  
 Break-in, New Linings ..... 164

Bulb Replacement ..... 263  
 Fluid ..... 236  
 Parking..... 104  
 System Indicator ..... 59, 295  
 Wear Indicators ..... 190  
 Braking System..... 190  
 Break-in, New Car ..... 164  
 Brightness Control, Instruments... 71  
 Brights, Headlights ..... 69  
 Bulb Replacement  
 Back-up Lights..... 263  
 Brake Lights..... 263  
 Ceiling Light..... 265  
 Courtesy Lights ..... 265  
 Fog Lights ..... 262  
 Front Side Marker Lights..... 260  
 Headlights ..... 259  
 High-mount Brake Light ..... 264  
 License Plate Light..... 264  
 Specifications ..... 309  
 Spotlights..... 265  
 Turn Signal Lights..... 260  
 Bulbs, Halogen..... 259

CONTINUED

# Index

## C

Capacities Chart.....	308
Carbon Monoxide Hazard .....	53
Carrying, Cargo .....	173
Cassette Player	
Care .....	141
Operation .....	137
CAUTION, Explanation of .....	ii
CD Changer.....	142
Ceiling Light.....	111
Certification Label.....	306
Chains .....	256
Changing Oil	
How to.....	225
When to.....	214
Changing a Flat Tire .....	279
Changing Engine Coolant.....	230
Charging System Indicator ....	59, 292
Checklist, Before Driving.....	178
Childproof Door Locks .....	84
Child Safety .....	21
Child Seats.....	26
Tether Anchorage Points .....	41
Cleaner Element, Air.....	238

## Cleaning

Aluminum Wheels.....	271
Carpeting .....	272
Exterior .....	270
Interior .....	272
Leather.....	273
Seat Belts.....	273
Vinyl .....	273
Windows .....	274
Climate Control System.....	116, 123
Clock, Setting the .....	105
CO in the Exhaust .....	53
Coin Box .....	106
Cold Weather, Starting in.....	179
Compact Spare .....	278
Console Compartment .....	106
Consumer Information * .....	320
Controls, Instruments and.....	55
Coolant	
Adding.....	228
Checking.....	169
Proper Solution .....	228
Replacing .....	230
Temperature Gauge.....	66
Corrosion Protection.....	275

## Crankcase Emissions Control

System.....	314
Cruise Control Operation .....	153
Customer Relations Office .....	320

## D

DANGER, Explanation of.....	ii
Dashboard .....	2, 56
Daytime Running Lights.....	70
Defects, Reporting Safety.....	323
Defogger, Rear Window .....	74
Defrosting the Windows.....	122, 127
Dimensions.....	308
Dimming the Headlights .....	69
Dipstick	
Automatic Transmission.....	234
Engine Oil.....	168
Directional Signals.....	71
Disc Brake Wear Indicators.....	190
Disposal of Used Oil.....	227
Doors	
Monitor Light.....	62
Power Door Locks.....	79
DOT Tire Quality Grading .....	310
Drive Belts.....	249

Driver and Passenger Safety..... 5  
 Driving ..... 177  
     Economy ..... 170  
     In Bad Weather..... 199  
     In Foreign Countries..... 313  
 Driving Position Memory  
     System..... 96

**E**

Economy, Fuel ..... 170  
 Emergencies on the Road..... 277  
     Battery, Jump Starting ..... 286  
     Brake System Indicator ..... 295  
     Changing a Flat Tire ..... 279  
     Charging System Indicator ..... 292  
     Checking the Fuses..... 297  
     Low Oil Pressure Indicator ..... 291  
     Malfunction Indicator Lamp .... 293  
     Manually Closing Moonroof ... 296  
     Overheated Engine ..... 289  
 Emergency Brake..... 104  
 Emergency Flashers ..... 73  
 Emergency Towing ..... 302  
 Emergency Trunk Opener ..... 86  
 Emissions Controls..... 314

Emissions Testing, State ..... 317  
 Engine  
     Belts..... 249  
     Coolant Temperature Gauge .... 66  
     Malfunction Indicator  
         Lamp ..... 59, 293  
     Oil Pressure Indicator..... 59, 291  
     Oil, What Kind to Use ..... 223  
     Overheating..... 289  
     Specifications ..... 309  
     Speed Limiter ..... 187  
     Starting..... 179

Ethanol in Gasoline ..... 312  
 Evaporative Emissions Controls.. 314  
 Exhaust Fumes ..... 53  
 Expectant Mothers, Use of Seat  
     Belts by ..... 19  
 Exterior, Cleaning the..... 270

**F**

Fan, Interior ..... 120, 125  
 Features, Comfort and  
     Convenience ..... 115  
 Filling the Fuel Tank..... 165

Filter  
     Air Cleaner ..... 238  
     Air Conditioning ..... 249  
     Oil ..... 225  
 Flashers, Hazard Warning..... 73  
 Flat Tire, Changing a ..... 279  
 Floor Mats ..... 272  
 Fluids  
     Automatic Transmission..... 234  
     Brake ..... 236  
     Power Steering..... 237  
     Windshield Washers ..... 233  
 FM Stereo Radio  
     Reception ..... 135  
 Fog Lights..... 70  
 Foreign Countries, Driving in ..... 313  
 Four-way Flashers ..... 73  
 Front Airbags ..... 9, 47  
 Fuel..... 164  
     Fill Door and Cap..... 165  
     Gauge ..... 66  
     Octane Requirement ..... 164  
     Oxygenated ..... 312  
     Reserve Indicator..... 63  
     Tank, Filling the..... 165

CONTINUED

# Index

---

Fuses, Checking the..... 297

## G

Gas Mileage, Improving..... 170  
Gasohol ..... 312  
Gasoline ..... 164  
    Fuel Reserve Indicator..... 63  
    Gauge ..... 66  
    Octane Requirement..... 164  
    Tank, Filling the..... 165  
Gas Station Procedures..... 164  
Gauges  
    Engine Coolant Temperature .... 66  
    Fuel..... 66  
    Speedometer ..... 64  
    Tachometer ..... 64  
GAWR (Gross Axle Weight  
    Rating) ..... 202  
Gearshift Lever Positions  
    Automatic Transmission..... 180  
Glass Cleaning ..... 274  
Glove Box ..... 87  
GVWR (Gross Vehicle Weight  
    Rating) ..... 202

## H

Halogen Headlight Bulbs..... 259  
Hazard Warning Flashers..... 73  
Headlights..... 69  
    Aiming..... 259  
    Automatic Lighting Off  
        Feature..... 70  
    Daytime Running Lights..... 70  
    High Beam Indicator..... 62  
    Reminder Chime..... 69  
    Replacing Halogen Bulbs ..... 259  
    Turning on..... 69  
Head Restraints ..... 91  
High Altitude, Starting at..... 179  
High-Low Beam Switch ..... 69  
HomeLink Universal  
    Transceiver..... 157  
Hood Latch ..... 237  
Hood, Opening the ..... 166  
Hydroplaning..... 200

## I

Identification Number, Vehicle.... 306

## Ignition

    Keys..... 76  
    Switch..... 78  
    Timing Control System..... 315  
Immobilizer System..... 77  
Important Safety Precautions ..... 6  
Indicators, Instrument Panel..... 57  
Infant Restraint ..... 30  
Infant Seats..... 30  
    Tether Anchorage Points ..... 41  
Inflation, Proper Tire ..... 251  
Inside Mirror ..... 94  
Inspection, Tire ..... 252  
Instrument Panel ..... 57  
Instrument Panel Brightness ..... 71  
Interior Cleaning..... 272  
Interior Lights ..... 111  
Introduction..... i

## J

Jacking up the Car ..... 281  
Jack, Tire ..... 280  
Jump Starting ..... 286

**K**

Keys..... 76

**L**

Label, Certification..... 306

Lane Change, Signaling..... 71

Lap/Shoulder Belts..... 15, 44

Lights

    Bulb Replacement..... 259

    Indicator..... 57

    Parking..... 69

    Turn Signal..... 71

Load Limit..... 174

LOCK (Ignition Key Position)..... 78

Lockout Prevention..... 80

Locks

    Anti-theft Steering Column..... 78

    Fuel Fill Door..... 165

    Glove Box..... 87

    Power Door..... 79

    Trunk..... 85

Low Coolant Level..... 169

Low Oil Pressure Indicator .... 59, 291

Lubricant Specifications Chart .... 308

Luggage..... 173

**M**

Maintenance..... 209

    Owner Maintenance Checks.... 221

    Record..... 219

    Required Indicator..... 67

    Safety..... 210

    Schedule..... 214-218

Malfunction Indicator

    Lamp..... 59, 293

Memory, Driving Position..... 96

Meters, Gauges..... 64

Methanol in Gasoline..... 312

Mirrors, Adjusting..... 94

Moonroof..... 103

    Closing Manually..... 296

    Operation..... 103

**N**

Neutral Gear Position..... 183

New Vehicle Break-in..... 164

NOTICE, Explanation of..... i

Numbers, Identification..... 306

**O**

Octane Requirement, Gasoline.... 164

Odometer..... 65

Odometer, Trip..... 65

Oil

    Change, How to..... 225

    Change, When to..... 214

    Checking Engine..... 168

    Pressure Indicator..... 59, 291

    Selecting Proper Viscosity

        Chart..... 224

ON (Ignition Key Position)..... 79

Onboard Refueling Vapor

    Recovery..... 314

Operation in Foreign Countries... 313

Outside Mirrors..... 94

Overheating, Engine..... 289

Owner Maintenance Checks..... 221

Oxygenated Fuels..... 312

CONTINUED

# Index

## P

Paint Touch-up.....	271
Panel Brightness Control .....	71
Park Gear Position.....	182
Parking.....	189
Parking Brake .....	104
Parking Brake and Brake System Indicator.....	59, 295
Parking Lights.....	69
Parking Over Things that Burn...	189
PGM-FI System.....	315
Polishing and Waxing .....	271
Pre-Drive Safety Checklist .....	11
Pregnancy, Using Seat Belts .....	19
Protecting Adults.....	12
Additional Safety Precautions....	20
Advice for Pregnant Women.....	19
Protecting Children .....	21
Protecting Infants .....	30
Protecting Larger Children.....	37
Protecting Small Children .....	34
Using Child Seats with Tethers.....	41

## R

Radiator Overheating.....	289
Radio/Cassette/CD Sound System.....	129
Readiness Codes.....	294, 317
Rear Lights, Bulb Replacement...	263
Rear Seat Armrest.....	92
Rear View Mirror.....	94
Rear Window Defogger .....	74
Reclining the Seat Backs .....	89
Reminder Lights .....	57
Remote Audio Controls.....	150
Remote Transmitter .....	81
Replacement Information Air Cleaner Element.....	238
Air Conditioning Filter .....	249
Engine Coolant.....	230
Engine Oil and Filter .....	225
Fuses .....	298
Light Bulbs .....	259
Schedule .....	214
Spark Plugs.....	240
Tires .....	254
Wiper Blades .....	246

Replacing Seat Belts After a Crash.....	46
Reserve Tank, Engine Coolant ...	169
Restraint, Child .....	21
Reverse Gear Position.....	182
Rotation, Tire .....	254

## S

Safety Belts.....	8, 44
Safety Defects, Reporting* .....	323
Safety Features .....	7
Airbags.....	9
Door Locks.....	10
Head Restraints .....	10
Seat Belts .....	8
Seats & Seat-Backs.....	10
Safety Labels, Location of .....	54
Safety Messages .....	ii
Seat Belts .....	8, 44
Additional Information.....	44
Cleaning .....	273
Lap/Shoulder Belt.....	15, 44
Maintenance.....	46
Reminder Light and Beeper.....	44, 59

System Components.....	44
Use During Pregnancy.....	19
Seat Heaters .....	99
Seats, Adjusting the.....	88
Security System .....	152
Sequential SportShift Mode .....	183
Serial Number .....	306
Service Intervals .....	214
Service Manual* .....	325
Service Station Procedures .....	165
Setting the Clock .....	105
Shift Lever Position Indicator .....	180
Shift Lock Release.....	187
Side Airbags .....	9, 49
Side Airbag Indicator .....	51, 60
Side Marker Lights, Bulb Replacement.....	260
Signaling Turns.....	71
Snow Tires.....	256
Solvent-type Cleaners.....	270
Sound System.....	129
Spare Tire Inflating.....	278
Specifications .....	309
Spark Plugs, Replacing .....	240
Specifications Charts.....	308

Speed Control.....	153
Speedometer .....	64
Spotlights.....	112
SRS, Additional Information.....	47
Additional Safety Precautions....	52
How the SRS Indicator Works.....	50
How Your Airbags Work .....	47
SRS Components .....	47
SRS Service.....	52
SRS Indicator.....	50, 60
START (Ignition Key Position) .....	79
Starting the Engine.....	179
In Cold Weather at High Altitude .....	179
With a Dead Battery .....	286
State Emissions Testing .....	317
Steam Coming from Engine.....	289
Steering Wheel Adjustment .....	75
Anti-theft Column Lock .....	78
Stereo Sound System .....	129
Storing Your Car.....	267
Sun Visor.....	109
Sunglasses Holder .....	110

Supplemental Restraint System.....	47
Servicing .....	52
SRS Indicator.....	50
System Components.....	47

## T

Tachometer .....	64
Taillights, Changing Bulbs in.....	263
Taking Care of the Unexpected ..	277
Tape Player.....	137
Technical Descriptions DOT Tire Quality Grading .....	310
Emissions Control Systems.....	314
Oxygenated Fuels.....	312
Three Way Catalytic Converter.....	316
Temperature Gauge .....	66
Tether Anchorage Points .....	41
Three Way Catalytic Converter...	316
Time, Setting the .....	105
Timing Belt.....	250
Tire Chains.....	256
Tire, How to Change a Flat .....	279

*CONTINUED*



# Index

---

Tires .....	250
Air Pressure .....	251
Checking Wear .....	252
Compact Spare .....	278
DOT Tire Quality Grading .....	310
Inflation .....	251
Inspection .....	252
Replacing .....	254
Rotating.....	254
Snow .....	256
Specifications .....	309
Traction Devices.....	256
Winter Driving .....	256
Tools, Tire Changing .....	279
Towing	
A Trailer.....	201
Emergency Wrecker .....	302
Traction Control System (TCS)	
Indicator.....	61, 195
Operation .....	193
Traction Devices.....	256
Transmission	
Checking Fluid Level,	
Automatic .....	234
Fluid Selection.....	235
Identification Number.....	307

Shifting the Automatic.....	180
Treadwear .....	252, 310
Trip Meter .....	65
Trunk.....	85
Emergency Trunk Release.....	86
Opening the .....	85
Open Monitor Light .....	62
Turn Signals .....	71

## U

Underside, Cleaning .....	275
Unexpected, Taking Care	
of the .....	277
Uniform Tire Quality Grading .....	310
Unleaded Gasoline.....	164
Upholstery Cleaning.....	272
Used Oil, How to Dispose of .....	227

## V

Vanity Mirror .....	109
Vehicle Capacity Load .....	174
Vehicle Dimensions.....	308
Vehicle Identification Number.....	306

Vehicle Stability Assist (VSA)	
System.....	196
VSA System Indicator .....	61, 196
VSA Activation Indicator ....	61, 197
VSA Off Switch.....	197
Vehicle Storage .....	267
VIN .....	306
Vinyl Cleaning.....	273
Viscosity, Oil.....	224

## W

WARNING, Explanation of .....	ii
Warning Labels, Location of .....	54
Warranty Coverages* .....	322
Washer, Windshield	
Checking the Fluid Level .....	233
Indicator.....	63
Operation.....	73
Washing .....	270
Waxing and Polishing .....	271
Wheels	
Adjusting the Steering .....	75
Alignment and Balance .....	253
Compact Spare .....	278

Windows  
  Cleaning ..... 274  
  Operating the Power ..... 100  
  Rear, Defogger ..... 74

Windshield  
  Cleaning ..... 72  
  Defroster ..... 122, 125  
  Washers ..... 73

Wipers, Windshield  
  Changing Blades ..... 246  
  Operation ..... 72

Worn Tires ..... 252

Wrecker, Emergency Towing ..... 302

\*: U.S. and Canada only

# Service Information Summary

---

**Gasoline:**

Premium unleaded gasoline, pump octane number of 91 or higher.

**Fuel Tank Capacity:**

17.17 US gal (65.0 ℓ , 14.30 Imp gal)

**Recommended Engine Oil:**

API Service SJ "Energy Conserving" oil, SAE 5W-20 viscosity (see page [223](#) ).

Oil change capacity (including filter):

4.6 US qt (4.4 ℓ , 3.9 Imp qt)

**Automatic Transmission Fluid:**

Honda ATF-Z1 (Automatic Transmission Fluid) preferred, or a DEXRON® III ATF as a temporary replacement (see page [235](#) ).

**Power Steering Fluid:**

Honda Power Steering Fluid preferred, or another brand of power steering fluid as a temporary replacement. Do not use ATF (see page [237](#) ).

**Brake Fluid:**

Honda Heavy Duty Brake Fluid DOT 3 preferred, or a DOT 3 or DOT 4 brake fluid as a temporary replacement (see page [236](#) ).

**Tire Pressure (measured cold):**

Front/Rear:

32 psi (220 kPa , 2.2 kgf/cm<sup>2</sup>)

**Spare Tire Pressure:**

60 psi (420 kPa , 4.2 kgf/cm<sup>2</sup>)