

# 2002 RL Online Reference Owner's Manual

Use these links (and links throughout this manual) to navigate through this reference.  
For a printed owner's manual, click on authorized manuals or go to [www.helminc.com](http://www.helminc.com).

## Contents

---

### Owner's Identification Form

<b>Introduction</b> .....	<b>i</b>
<b>A Few Words About Safety</b> .....	<b>ii</b>
<b>Your Vehicle at a Glance</b> .....	<b>2</b>
<b>Driver and Passenger Safety</b> .....	<b>5</b>
Proper use and care of your vehicle's seat belts, and Supplemental Restraint System.	
<b>Instruments and Controls</b> .....	<b>53</b>
Instrument panel indicator and gauge, and how to use dashboard and steering column controls.	
<b>Comfort and Convenience Features</b> .....	<b>115</b>
How to operate the climate control system, the audio system, and other convenience features.	
<b>Before Driving</b> .....	<b>179</b>
What gasoline to use, how to break-in your new vehicle, and how to load luggage and other cargo.	
<b>Driving</b> .....	<b>191</b>
The proper way to start the engine, shift the transmission, and park, plus towing a trailer.	
<b>Maintenance</b> .....	<b>215</b>
The Maintenance Schedule shows you when you need to take your vehicle to the dealer.	
<b>Appearance Care</b> .....	<b>275</b>
Tips on cleaning and protecting your vehicle. Things to look for if your car ever needs body repairs.	
<b>Taking Care of the Unexpected</b> .....	<b>283</b>
This section covers several problems motorists sometimes experience, and how to handle them.	
<b>Technical Information</b> .....	<b>311</b>
ID numbers, dimensions, capacities, and technical information.	
<b>Warranty and Customer Relations (U.S. and Canada)</b> .....	<b>325</b>
A summary of the warranties covering your new Honda, and how to contact us.	
<b>Authorized Manuals (U.S. only)</b> .....	<b>329</b>
How to order manuals and other technical literature.	
<b>Index</b> .....	<b>I</b>
<b>Service Information Summary</b>	
A summary of information you need when you pull up to the fuel pump.	

## Owner's Identification

---

OWNER \_\_\_\_\_  
\_\_\_\_\_

ADDRESS \_\_\_\_\_

STREET

\_\_\_\_\_

CITY

STATE/PROVINCE

ZIP CODE/  
POSTAL CODE

V. I. N. \_\_\_\_\_

DELIVERY DATE \_\_\_\_\_

(Date sold to original retail purchaser)

DEALER NAME \_\_\_\_\_ DEALER NO. \_\_\_\_\_

ADDRESS \_\_\_\_\_

STREET

\_\_\_\_\_

CITY

STATE/PROVINCE

ZIP CODE/  
POSTAL CODE

OWNER'S SIGNATURE \_\_\_\_\_

DEALER'S SIGNATURE \_\_\_\_\_

This Owner's Manual should be considered a permanent part of the car, and should remain with the car when it is sold.

This Owner's Manual covers all models of the 3.5 RL. You may find descriptions of equipment and features that are not on your particular model.

The information and specifications included in this publication were in effect at the time of approval for printing. Honda Motor Co., Ltd. reserves the right, however, to discontinue or change specifications or design at any time without notice and without incurring any obligation whatsoever.

Congratulations on your selection of the 2002 Acura 3.5 RL. We are certain you will be pleased with your purchase of one of the finest luxury cars in the world.

One of the best ways to enhance the enjoyment of your new Acura is to read this manual. In it, you will learn how to operate its driving controls and convenience items. Afterwards, keep this owner's manual in your car so you can refer to it at any time.

Several warranties protect your new Acura. Read the warranty booklet thoroughly so you understand the coverages and are aware of your rights and responsibilities.

Maintaining your car according to the schedules given in this manual helps to keep your driving trouble-free while it preserves your investment. When your car needs maintenance, keep in mind that your Acura dealer's staff is specially trained in servicing the many systems unique to your Acura. Your Acura dealer is dedicated to your satisfaction and will be pleased to answer any questions and concerns.

## California Proposition 65 Warning

**WARNING:** This product contains or emits chemicals known to the State of California to cause cancer and birth defects or other reproductive harm.

As you read this manual, you will find information that is preceded by a **NOTICE** symbol. This information is intended to help you avoid damage to your Acura, other property, or the environment.

## A Few Words About Safety


---

Your safety, and the safety of others, is very important. And operating this car safely is an important responsibility.

To help you make informed decisions about safety, we have provided operating procedures and other information on labels and in this manual. This information alerts you to potential hazards that could hurt you or others.

Of course, it is not practical or possible to warn you about all the hazards associated with operating or maintaining your car. You must use your own good judgement.

You will find this important safety information in a variety of forms, including:

- **Safety Labels** — on the car.
- **Safety Messages** — preceded by a safety alert symbol  and one of three signal words: **DANGER**, **WARNING**, or **CAUTION**.

These signal words mean:

 **DANGER**

You **WILL** be **KILLED** or **SERIOUSLY HURT** if you don't follow instructions.

 **WARNING**

You **CAN** be **KILLED** or **SERIOUSLY HURT** if you don't follow instructions.

 **CAUTION**

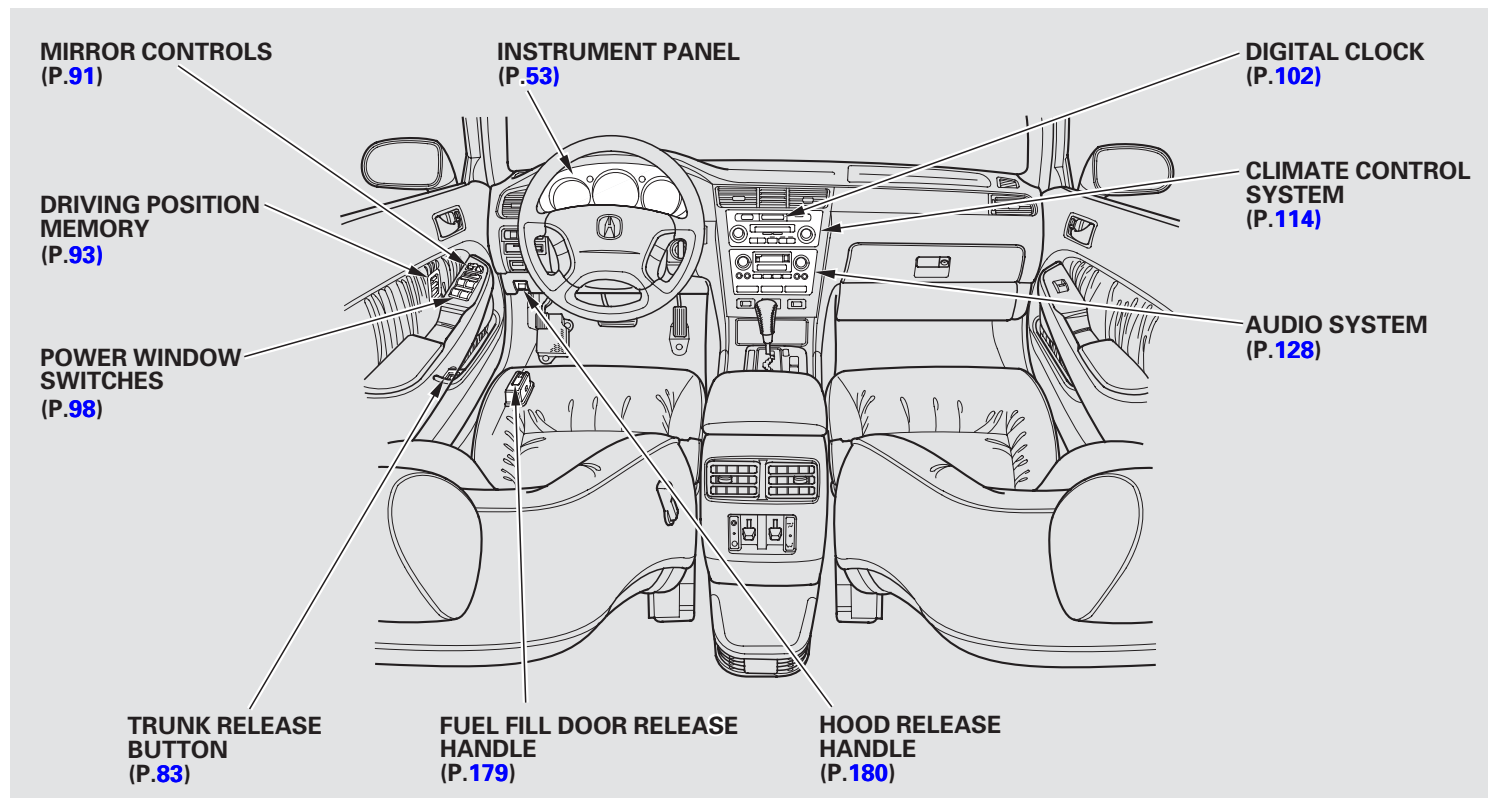
You **CAN** be **HURT** if you don't follow instructions.

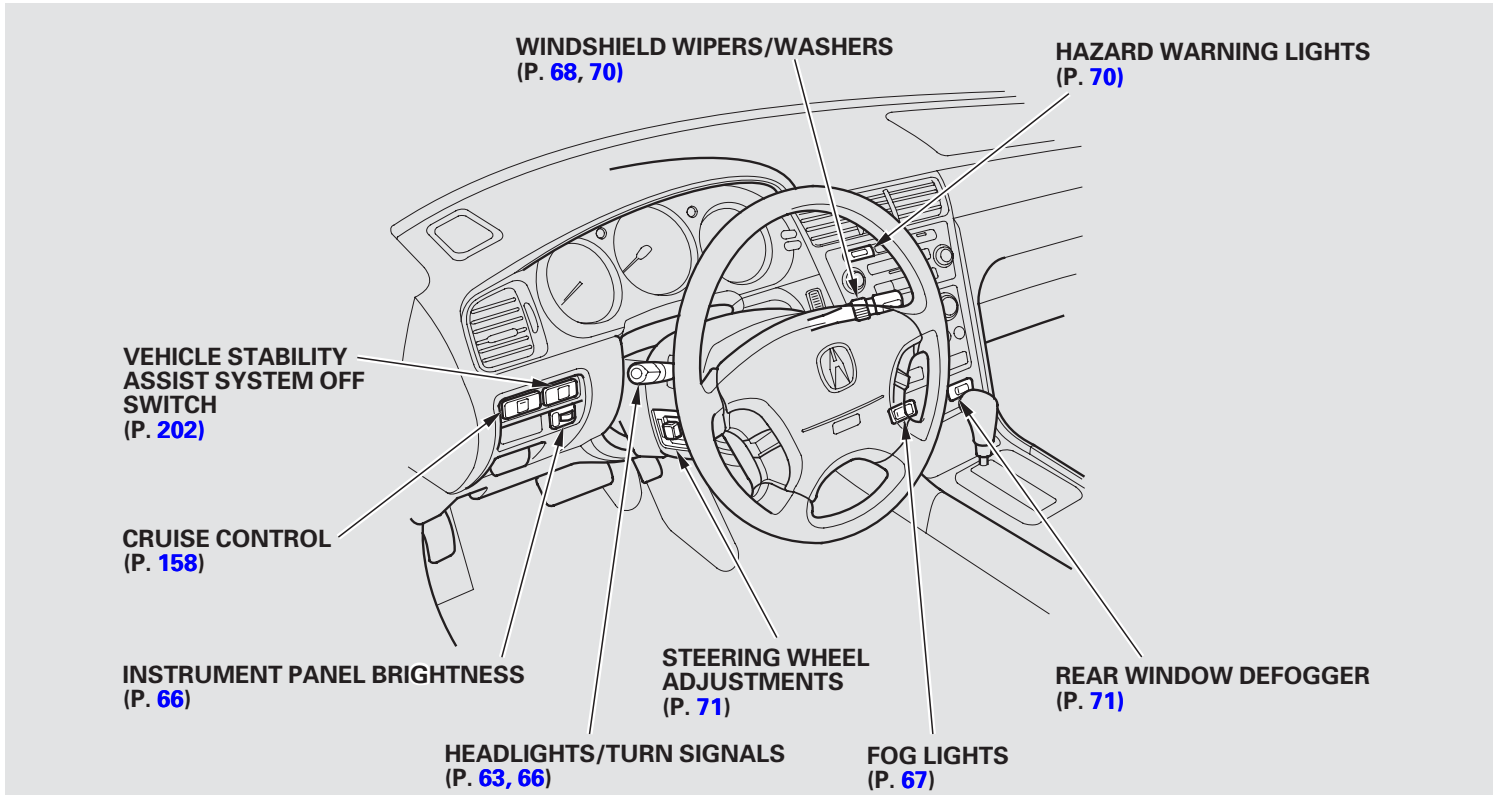
- **Safety Headings** — such as Important Safety Reminders or Important Safety Precautions.
- **Safety Section** — such as Driver and Passenger Safety.
- **Instructions** — how to use this car correctly and safely.

This entire book is filled with important safety information — please read it carefully.

# Your Car at a Glance

---







This section gives you important information about how to protect yourself and your passengers. It shows you how to use seat belts properly. It explains your Supplemental Restraint System. And it tells you how to properly restrain infants and children in your car.

Important Safety Precautions .....	6	2. Adjust the Front Seats .....	12	Protecting Small Children .....	32
Your Car's Safety Features .....	7	3. Adjust the Seat-Backs .....	13	Protecting Larger Children .....	35
Seat Belts .....	8	4. Adjust the Head Restraints ....	14	Using Child Seats with	
Airbags .....	9	5. Fasten and Position the Seat		Tethers.....	39
Seats & Seat-Backs.....	10	Belts .....	15	Additional Information About Your	
Head Restraints .....	10	6. Adjust the Steering Wheel ....	17	Seat Belts.....	40
Door Locks .....	10	7. Maintain a Proper Sitting		Seat Belt System Components... 40	
Pre-Drive Safety Checklist .....	11	Position .....	17	Lap/Shoulder Belt.....	40
Protecting Adults .....	12	Advice for Pregnant Women.....	18	Automatic Seat Belt	
1. Close and Lock the Doors .....	12	Additional Safety Precautions....	19	Tensioners.....	41
		Protecting Children .....	20	Seat Belt Maintenance .....	42
		All Children Must Be		Additional Information About Your	
		Restrained .....	20	Airbags.....	43
		Children Should Sit in the Back		SRS Components .....	43
		Seat.....	21	How Your Front Airbags	
		The Passenger's Front Airbag		Work.....	43
		Poses Serious Risks		How Your Side Airbags Work....	45
		to Children.....	21	How the SRS Indicator Light	
		If You Must Drive with Several		Works.....	46
		Children .....	23	How The Side Airbag Indicator	
		If a Child Requires Close		Light Works .....	47
		Attention .....	23	Airbag Service .....	48
		Additional Safety Precautions....	23	Additional Safety Precautions....	48
		General Guidelines for Using		Carbon Monoxide Hazard .....	49
		Child Seats.....	24	Safety Labels.....	50
		Protecting Infants.....	28		



## Important Safety Precautions

---

You'll find many safety recommendations throughout this section, and throughout this manual. The recommendations on this page are the ones we consider to be the most important.

### **Always Wear Your Seat Belt**

A seat belt is your best protection in all types of collisions. Airbags supplement seat belts, but airbags are designed to inflate only in a moderate to severe frontal collision. So even though your car is equipped with airbags, make sure you and your passengers always wear your seat belts, and wear them properly. (See page [15](#).)

### **Restrain All Children**

Children are safest when they are properly restrained in the back seat, not the front seat. A child who is too small for a seat belt must be properly restrained in a child safety seat. (See page [20](#).)

### **Be Aware of Airbag Hazards**

While airbags can save lives, they can cause serious or fatal injuries to occupants who sit too close to them, or are not properly restrained. Infants, young children, and short adults are at the greatest risk. Be sure to follow all instructions and warnings in this manual. (See page [9](#).)

### **Don't Drink and Drive**

Alcohol and driving don't mix. Even one drink can reduce your ability to respond to changing conditions, and your reaction time gets worse with every additional drink. So don't drink and drive, and don't let your friends drink and drive, either.

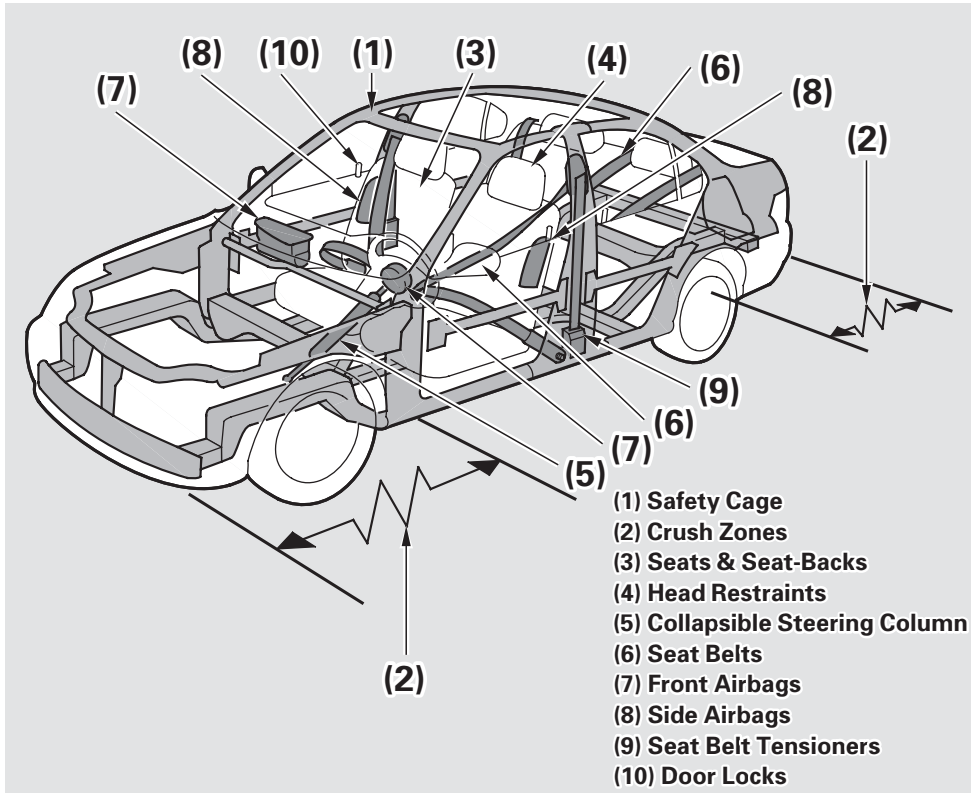
### **Control Your Speed**

Excessive speed is a major factor in crash injuries and deaths. Generally, the higher the speed the greater the risk, but serious accidents can also occur at lower speeds. Never drive faster than is safe for current conditions, regardless of the maximum speed posted.

### **Keep Your Car in Safe Condition**

Having a tire blowout or a mechanical failure can be extremely hazardous. To reduce the possibility of such problems, check your tire pressures and condition frequently, and perform all regularly scheduled maintenance. (See page [216](#).)

## Your Car's Safety Features



Your car is equipped with many features that work together to protect you and your passengers during a crash.

Some safety features do not require any action on your part. These include a strong steel framework that forms a safety cage around the passenger compartment; front and rear crush zones that are designed to crumple and absorb energy during a crash; a collapsible steering column; and seat belt tensioners that automatically tighten the front seat belts in the event of a crash.

*CONTINUED*

## Your Car's Safety Features

---

These safety features are designed to reduce the severity of injuries in a crash. However, you and your passengers can't take full advantage of these safety features unless you remain sitting in a proper position and ***always wear your seat belts properly***. In fact, some safety features can contribute to injuries if they are not used properly.

### Seat Belts

For your safety, and the safety of your passengers, your car is equipped with seat belts in all seating positions.



Your seat belt system also includes a light on the instrument panel to remind you and your passengers to fasten your seat belts.

### ***Why Wear Seat Belts***

Seat belts are the single most effective safety device for adults and larger children. (Infants and smaller children must be properly restrained in child seats.)

Not wearing a seat belt properly increases the chance of serious injury or death in a crash, even though your car has airbags.

In addition, most states and all Canadian provinces require you to wear seat belts.

### **⚠ WARNING**

Not wearing a seat belt properly increases the chance of serious injury or death in a crash, even if you have airbags.

Be sure you and your passengers always wear seat belts and wear them properly.

When properly worn, seat belts:

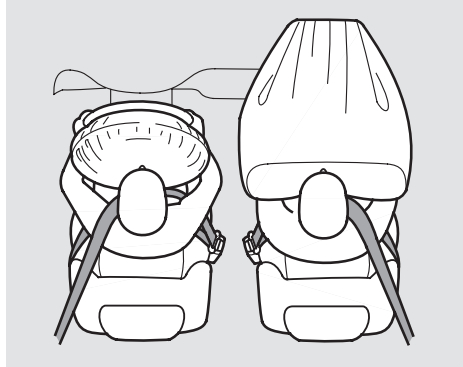
- Keep you connected to the vehicle so you can take advantage of the vehicle's built-in safety features.
- Help protect you in almost every type of crash, including frontal, side, and rear impacts and rollovers.

- Help keep you from being thrown against the inside of the car and against other occupants.
- Keep you from being thrown out of the car.
- Help keep you in a good position should the airbags ever deploy. A good position reduces the risk of injury from an inflating airbag, and allows you to get the best advantage from the airbag.

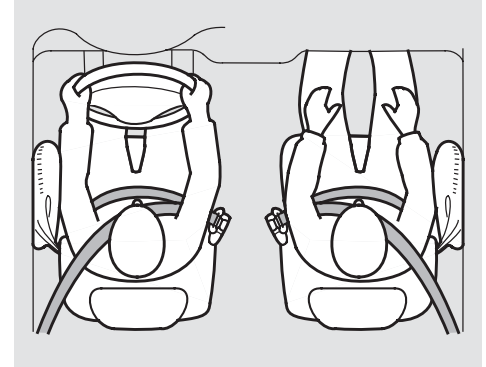
Of course, seat belts cannot completely protect you in every crash. But in most cases, seat belts can reduce your risk of serious injury.

***What you should do:*** Always wear your seat belt, and make sure you wear it properly.

### Airbags



Your car has a Supplemental Restraint System (SRS) with front airbags to help protect the heads and chests of the driver and a front seat passenger during a moderate to severe frontal collision.



Your car also has side airbags to help protect the upper torso of the driver or a front seat passenger during a moderate to severe side impact.

The most important things you need to know about your airbags are:

- ***Airbags do not replace seat belts.*** They are designed to supplement the seat belts.

*CONTINUED*

# Your Car's Safety Features

---

- ***Airbags offer no protection in rear impacts, rollovers, or minor frontal or side collisions.***
- ***Airbags can pose serious hazards.*** To do their job, airbags must inflate with tremendous force and speed. So while airbags help save lives, they can cause minor injuries, or more serious or even fatal injuries if occupants are not properly restrained or sitting properly.

***What you should do:*** Always wear your seat belt properly, and sit upright and as far back as possible from the steering wheel or dashboard.

## **Seats & Seat-Backs**

Your car's seats are designed to keep you in a comfortable, upright position so you can take full advantage of the protection offered by seat belts and the energy absorbing materials in the seats.

How you adjust your seats and seat-backs can also affect your safety. For example, sitting too close to the steering wheel or dashboard increases the risk of you or your passenger being injured by striking the inside of the car, or by an inflating airbag.

Reclining a seat-back too far reduces the seat belt's effectiveness and increases the chance that the seat's occupant will slide under the seat belt in a crash and be seriously injured.

***What you should do:*** Move the front seats as far back as possible, and keep adjustable seat-backs in an upright position whenever the car is moving.

## **Head Restraints**

Head restraints can help protect you from whiplash and other injuries. For maximum protection, the back of your head should rest against the center of the head restraint.

## **Door Locks**

Keeping your doors locked reduces the chance of being thrown out of the car during a crash. It also helps prevent occupants from accidentally opening a door and falling out, and outsiders from unexpectedly opening your doors.

### Pre-Drive Safety Checklist

To make sure you and your passengers get the maximum protection from your car's safety features, check the following each time before you drive away:

- All adults, and children who have outgrown child safety seats, are wearing their seat belts and wearing them properly (see page [15](#)).
- Any infant or small child is properly restrained in a child seat in the back seat (see page [20](#)).

- Front seat occupants are sitting upright and as far back as possible from the steering wheel and dashboard (see page [12](#)).
- Seat-backs are upright (see page [13](#)).
- Head restraints are properly adjusted (see page [14](#)).
- All doors are closed and locked (see page [12](#)).
- All cargo is properly stored or secured (see page [186](#)).

The rest of this section gives more detailed information about how you can maximize your safety.

Remember, however, that no safety system can prevent all injuries or deaths that can occur in severe crashes, even when seat belts are properly worn and the airbags deploy.

# Protecting Adults

## Introduction

The following pages provide instructions on how to properly protect the driver and other adult occupants.

These instructions also apply to children who have outgrown child seats and are large enough to wear lap/shoulder belts. (See page 35 for important additional guidelines on how to properly protect larger children.)

## 1. Close and Lock the Doors

After everyone has entered the car, be sure the doors are closed and locked.



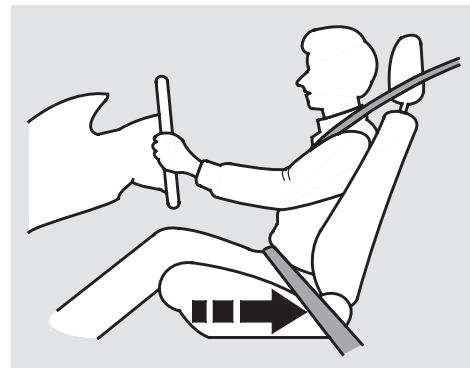
Your car has a door monitor light on the instrument panel to indicate when a specific door is not tightly closed.

For safety, locking the doors reduces the chance that a passenger, especially a child, will open a door while the car is moving and accidentally fall out. It also reduces the chance of someone being thrown out of the car during a crash.

For security, locked doors can prevent an outsider from unexpectedly opening a door when you come to a stop.

See page 78 for how to lock the doors.

## 2. Adjust the Front Seats



Any driver who sits too close to the steering wheel is at risk of being seriously injured or killed by striking the steering wheel or from being struck by an inflating front airbag during a crash.

To reduce the chance of injury, wear your seat belt properly, sit upright with your back against the seat, and move the seat away from the steering wheel to the farthest distance that allows you to maintain full control of the car.

The National Highway Traffic Safety Administration and Transport Canada recommend that drivers adjust the seat so the center of the chest is at least 10 inches away from the center of the steering wheel. Also make sure your front seat passenger moves the seat as far to the rear as possible.

### **▲WARNING**

Sitting too close to a front airbag can result in serious injury or death if the front airbags inflate.

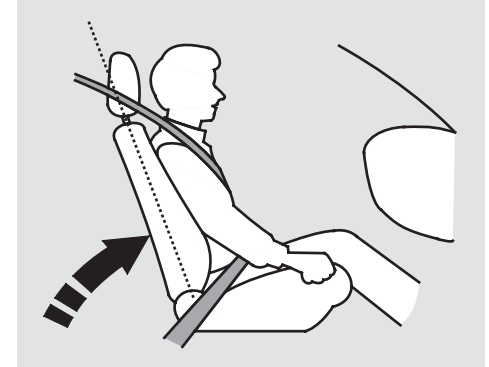
Always sit as far back from the front airbags as possible.

Most shorter drivers can get far enough away from the steering wheel and still reach the pedals. However, if you are concerned about sitting too close, we recommend that you investigate whether some type of adaptive equipment may help.

Once your seat is adjusted correctly, rock it back and forth to make sure the seat is locked in position.

See page [86](#) for how to adjust the front seats.

### 3. Adjust the Seat-Backs



Adjust the driver's seat-back to a comfortable, upright position, leaving ample space between your chest and the airbag cover in the center of the steering wheel. If you sit too close to the steering wheel, you could be injured if the front airbag inflates.

*CONTINUED*



## Protecting Adults

---

A front passenger should also adjust the seat-back to an upright position, but as far from the dashboard as possible. A passenger who sits too close to the dashboard could be injured if the front airbag inflates.

Reclining a seat-back so that the shoulder part of the belt no longer rests against the occupant's chest reduces the protective capability of the belt. It also increases the chance of sliding under the belt in a crash and being seriously injured. The farther a seat-back is reclined, the greater the risk of injury.

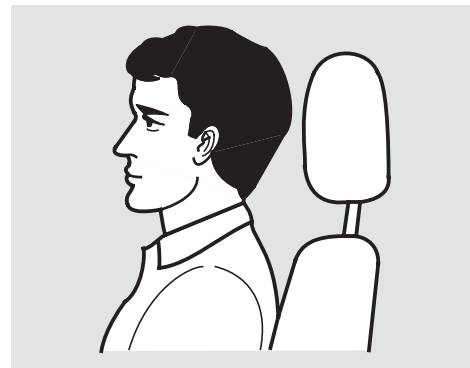
### **⚠ WARNING**

Reclining the seat-back too far can result in serious injury or death in a crash.

Adjust the seat-back to an upright position and sit well back in the seat.

See page [87](#) for how to adjust seat-backs.

### 4. Adjust the Head Restraints



Before driving, make sure everyone with an adjustable head restraint has properly positioned the head restraint. The restraint should be positioned so the back of the occupant's head rests against the center of the restraint. A taller person should adjust the restraint as high as possible.

### **⚠ WARNING**

Improperly positioning head restraints reduces their effectiveness and you can be seriously injured in a crash.

Make sure head restraints are in place and positioned properly before driving.

Properly adjusted head restraints will help protect occupants from whiplash and other crash injuries.

See page [88](#) for how to adjust the head restraints.

### **5. Fasten and Position the Seat Belts**

Insert the latch plate into the buckle, then tug on the belt to make sure the belt is securely latched. Also check that the belt is not twisted, because a twisted belt can cause serious injuries in a crash.



Position the lap part of the belt as low as possible across your hips, then pull up on the shoulder part of the belt so the lap part fits snugly. This lets your strong pelvic bones take the force of a crash and reduces the chance of internal injuries.

*CONTINUED*

## Protecting Adults

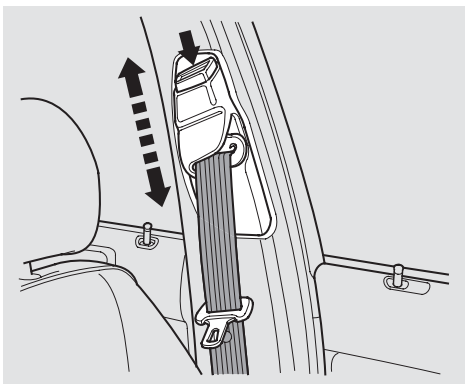
If necessary, pull up on the belt again to remove any slack from the shoulder part, then check that the belt rests across the center of your chest and over your shoulder. This spreads the forces of a crash over the strongest bones in your upper body.

### **▲WARNING**

Improperly positioning the seat belts can cause serious injury or death in a crash.

Make sure all seat belts are properly positioned before driving.

If the seat belt touches or crosses your neck, or if it crosses your arm instead of your shoulder, you need to adjust the seat belt anchor height.



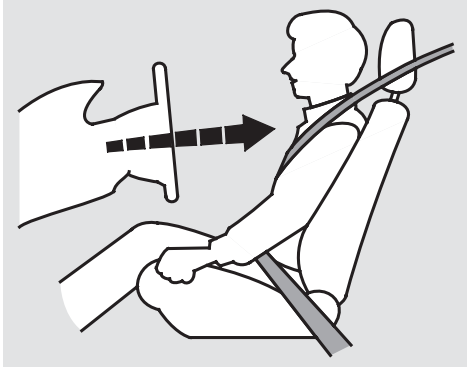
To adjust the height of a front seat belt anchor, press the release button and slide the anchor up or down as needed (it has four positions).

***Never place the shoulder portion of a lap/shoulder belt under your arm or behind your back.*** This could cause very serious injuries in a crash.

If a seat belt does not seem to work as it should, it may not protect the occupant in a crash. ***No one should sit in a seat with an inoperative seat belt.*** Anyone using a seat belt that is not working properly can be seriously injured or killed. Have your Acura dealer check the belt as soon as possible.

See page 40 for additional information about your seat belt system and how to take care of your belts.

## 6. Adjust the Steering Wheel



Adjust the steering wheel, if needed, so that the wheel points toward your chest, not toward your face.

Pointing the steering wheel toward your chest provides optimal protection from the airbag.

See page [71](#) for how to adjust the steering wheel.

## 7. Maintain a Proper Sitting Position

After all occupants have adjusted their seats and put on seat belts, it is very important that they continue to sit upright, well back in their seats, with their feet on the floor, until the car is parked and the engine is off.

Sitting improperly can increase the chance of injury during a crash. For example, if an occupant slouches, lies down, turns sideways, sits forward, leans forward or sideways, or puts one or both feet up, the chance of injury during a crash is greatly increased.

In addition, an occupant who is out of position in the front seat can be seriously or fatally injured by striking interior parts of the car, or by being struck by an inflating front airbag. Being struck by an inflating side airbag can result in possibly serious injuries.

### **▲ WARNING**

Sitting improperly or out of position can result in serious injury or death in a crash.

Always sit upright, well back in the seat, with your feet on the floor.

*CONTINUED*

## Protecting Adults

---

Remember, to get the best protection from your car's airbags and other safety features, you must sit properly and wear your seat belt properly.

### Advice for Pregnant Women



Because protecting the mother is the best way to protect her unborn child, a pregnant woman should always wear a seat belt whenever she drives or rides in a car.

Remember to keep the lap portion of the belt as low as possible across your hips.

Pregnant women should also sit upright and as far back as possible from the steering wheel or dashboard. This will reduce the risk of injuries to both the mother and her unborn child that can be caused by a crash or an inflating airbag.

Each time you have a check-up, ask your doctor if it's okay for you to drive.

### Additional Safety Precautions

- ***Two people should never use the same seat belt.*** If they do, they could be very seriously injured in a crash.
- ***Do not put any accessories on seat belts.*** Devices intended to improve occupant comfort or reposition the shoulder part of a seat belt can severely compromise the protective capability of the seat belt and increase the chance of serious injury in a crash.
- ***Do not place hard or sharp objects between yourself and a front airbag.*** Carrying hard or sharp objects on your lap, or driving with a pipe or other sharp object in your mouth, can result in injuries if your front airbag inflates.
- ***Do not attach or place objects on the front airbag covers.*** Any object attached to or placed on the covers marked “SRS AIRBAG” in the center of the steering wheel and on top of the dashboard could interfere with the proper operation of the airbags. Or, if the airbags inflate, the objects could be propelled inside the car and hurt someone.
- ***Do not attach hard objects on or near a front door.*** If a side airbag inflates, a cup holder or other hard object attached on or near the door could be propelled inside the car and hurt someone.
- ***Keep your hands and arms away from the airbag covers.*** If your hands or arms are close to the airbag cover in the center of the steering wheel or on top of the dashboard, they could be injured if the front airbags inflate.

## Protecting Children



Children depend on adults to protect them. However, despite their best intentions, many parents and other adults may not know how to *properly* protect young passengers.

So if you have children, or if you ever need to drive with a grandchild or other children in your car, be sure to read this section.

### **⚠ WARNING**

Children who are unrestrained or improperly restrained can be seriously injured or killed in a crash.

Any child too small for a seat belt should be properly restrained in a child seat. A larger child should be properly restrained with a seat belt.

### **All Children Must Be Restrained**

Each year, many children are injured or killed in vehicle crashes because they are either unrestrained or not properly restrained. In fact, vehicle accidents are the number one cause of death of children ages 12 and under.

To reduce the number of child deaths and injuries, every state and Canadian province requires that infants and children be restrained whenever they ride in a vehicle.

***Any child who is too small to wear a seat belt should be properly restrained in a child seat.*** (See page [24](#).)

***A larger child should always be restrained with a seat belt.*** (See page [35](#).)

### **Children Should Sit in the Back Seat**

According to accident statistics, children of all ages and sizes are safer when they are restrained in the back seat, not the front seat. The National Highway Traffic Safety Administration and Transport Canada recommend that all children ages 12 and under be properly restrained in the back seat.

In the back seat, children are less likely to be injured by striking hard interior parts during a collision or hard braking. Also, children cannot be injured by an inflating airbag when they ride in the back.

### **The Passenger's Front Airbag Poses Serious Risks to Children**

Front airbags have been designed to help protect adults in a moderate to severe frontal collision. To do this, the passenger's front airbag is quite large, and it inflates with tremendous speed.

#### ***Infants***

***Never put a rear-facing child seat in the front seat of a vehicle equipped with a passenger's front airbag.*** If the airbag inflates, it can hit the back of the child seat with enough force to kill or very seriously injure an infant.

#### ***Small Children***

***Placing a forward-facing child seat in the front seat of a vehicle equipped with a passenger's front airbag can be hazardous.*** If the vehicle seat is too far forward, or the child's head is thrown forward during a collision, an inflating front airbag can strike the child with enough force to kill or very seriously injure a small child.

#### ***Larger Children***

***Children who have outgrown child seats are also at risk of being injured or killed by an inflating passenger's front airbag.*** Whenever possible, larger children should sit in the back seat, properly restrained with a seat belt. (See page 35 for important information about protecting larger children.)

*CONTINUED*



# Protecting Children

## U.S. Models

To remind you of the passenger's front airbag hazards, and that children must be properly restrained in the back seat, your car has warning labels on the dashboard and on the driver's and front passenger's visors. Please read and follow the instructions on these labels.

 <b>WARNING</b>	
	<p>DEATH or SERIOUS INJURY can occur</p> <ul style="list-style-type: none"><li>• Children 12 and under can be killed by the air bag</li><li>• The <b>BACK SEAT</b> is the <b>SAFEST</b> place for children</li><li>• <b>NEVER</b> put a rear-facing child seat in the front</li><li>• Sit as far back as possible from the air bag</li><li>• <b>ALWAYS</b> use <b>SEAT BELTS</b> and <b>CHILD RESTRAINTS</b></li></ul>

 <b>WARNING</b>	
<p><b>Children Can Be KILLED or INJURED by Passenger Air Bag</b></p> <ul style="list-style-type: none"><li>• The back seat is the safest place for children 12 and under.</li><li>• Make sure all children use seat belts or child seats.</li></ul> <p>To be removed by owner only.</p>	

## Canadian Models

To remind you of the front airbag hazards, your car has warning labels on the driver's and front passenger's visors. Please read and follow the instructions on these labels.

<p><b>CAUTION</b></p> <p>TO AVOID SERIOUS INJURY:</p> <ul style="list-style-type: none"><li>• FOR MAXIMUM SAFETY PROTECTION IN ALL TYPES OF CRASHES, YOU MUST ALWAYS WEAR YOUR SAFETY BELT.</li><li>• DO NOT INSTALL REARWARD-FACING CHILD SEATS IN ANY FRONT PASSENGER SEAT POSITION.</li><li>• DO NOT SIT OR LEAN UNNECESSARILY CLOSE TO THE AIR BAG.</li><li>• DO NOT PLACE ANY OBJECTS OVER THE AIR BAG OR BETWEEN THE AIR BAG AND YOURSELF.</li><li>• SEE THE OWNER'S MANUAL FOR FURTHER INFORMATION AND EXPLANATIONS.</li></ul>	<p><b>PRÉCAUTION:</b></p> <p>POUR EVITER DES BLESSURES GRAVES:</p> <ul style="list-style-type: none"><li>• POUR PROFITER D'UNE PROTECTION MAXIMALE LORS D'UNE COLLISION BOUCLEZ TOUJOURS VOTRE CEINTURE DE SECURITE.</li><li>• N'INSTALLEZ JAMAIS UN SIEGE POUR ENFANTS FAISANT FACE A L'ARRIERE SUR LE SIEGE DU PASSAGER AVANT.</li><li>• NE VOUS APPUYEZ PAS ET NE VOUS ASSEYEZ PAS PRES DU COUSSIN GONFLABLE.</li><li>• NE DEPOSEZ AUCUN OBJET SUR LE COUSSIN GONFLABLE OU ENTRE LE COUSSIN GONFLABLE ET VOUS.</li><li>• LISEZ LE GUIDE UTILISATEUR POUR DE PLUS AMPLES RENSEIGNEMENTS.</li></ul>
---------------------------------------------------------------------------------------------------------------------------------------------------------------------------------------------------------------------------------------------------------------------------------------------------------------------------------------------------------------------------------------------------------------------------------------------------------------------------------------------------------------------------------------	------------------------------------------------------------------------------------------------------------------------------------------------------------------------------------------------------------------------------------------------------------------------------------------------------------------------------------------------------------------------------------------------------------------------------------------------------------------------------------------------------------------------------------------------------------------------------------------------------

## If You Must Drive with Several Children

Your car has three seating positions in the back seat where children can be properly restrained.

If you ever have to carry more than three children in your car:

- Place the largest child in the front seat, provided the child is large enough to wear a seat belt properly (see page 35).
- Move the vehicle seat as far to the rear as possible (see page 12).
- Have the child sit upright and well back in the seat (see page 17).
- Make sure the seat belt is properly positioned and secured (see page 15).

## If a Child Requires Close Attention

Many parents say they prefer to put an infant or small child in the front passenger seat so they can watch the child, or because the child requires attention.

Placing a child in the front seat exposes the child to hazards from the passenger's front airbag, and paying close attention to a child distracts the driver from the important tasks of driving, placing both of you at risk.

If a child requires physical attention or frequent visual contact, we strongly recommend that another adult ride with the child in the back seat. The back seat is far safer for a child than the front.

## Additional Safety Precautions

- **Use childproof door locks to prevent children from opening the doors.** Using this feature will prevent children from opening the doors and accidentally falling out (see page 82).
- **Use the main power window switch to prevent children from opening the rear windows.** Using this feature will prevent children from playing with the windows, which could expose them to hazards or distract the driver (see page 100).

CONTINUED

## Protecting Children

---

- ***Lock all doors and the trunk when your car is not in use.*** Children who play in cars can accidentally get trapped inside the trunk. Teach your children not to play in or around cars. Know how to operate the emergency trunk opener (US models only) and decide if your children should be shown how to use this feature (see page 84).
- ***Keep car keys and remote transmitters out of the reach of children.*** Even very young children learn how to unlock vehicle doors, turn on the ignition, and open the trunk, which can lead to accidental injury or death.

- ***Do not leave children alone in your vehicle.*** Leaving children without adult supervision is illegal in most states and Canadian provinces, and can be very hazardous. For example, infants and small children left in a vehicle on a hot day can die from heatstroke. And children left alone with the key in the ignition can accidentally set the vehicle in motion, possibly injuring themselves or others.

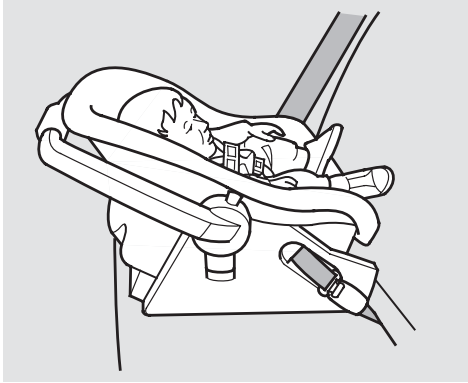
### General Guidelines for Using Child Seats

The following pages give general guidelines for selecting and installing child seats for infants and small children.

#### ***Selecting a Child Seat***

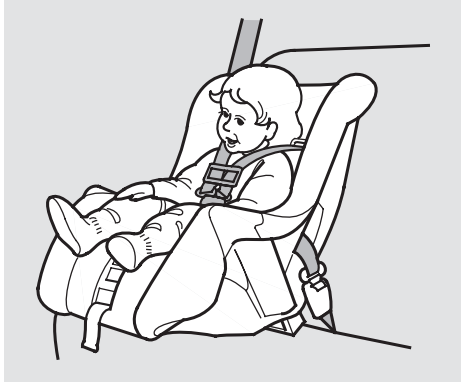
To provide proper protection, a child seat should meet three requirements:

- 1. The child seat should meet safety standards.*** The child seat should meet Federal Motor Vehicle Safety Standard 213 (FMVSS 213) or Canadian Motor Vehicle Safety Standard 213 (CMVSS 213). Look for the manufacturer's statement of compliance on the box and seat.



**2. The child seat should be of the proper type and size to fit the child.**

**Infants:** Children up to about one year old should be restrained in a rear-facing, reclining child seat. Only a rear-facing seat provides the proper support to protect an infant's head, neck, and back. See page [28](#) for additional information on protecting infants.



**Small Children:** A child who is too large for a rear-facing child seat, and who can sit up without support, should be restrained in a forward-facing child seat. See page [32](#) for additional information on protecting small children.

**3. The child seat should fit the vehicle seating position (or positions) where it will be used.**

Due to variations in the design of child seats, vehicle seats, and seat belts, all child seats will not fit all vehicle seating positions.

However, Acura is confident that one or more child seat models can fit and be properly installed in all recommended seating positions in your car.

Before purchasing a child seat, we recommend that parents test the child seat in the specific vehicle seating position (or positions) where they intend to use the seat. If a previously purchased child seat does not fit, you may need to buy a different one that will fit.

*CONTINUED*

# Protecting Children

## Placing a Child Seat

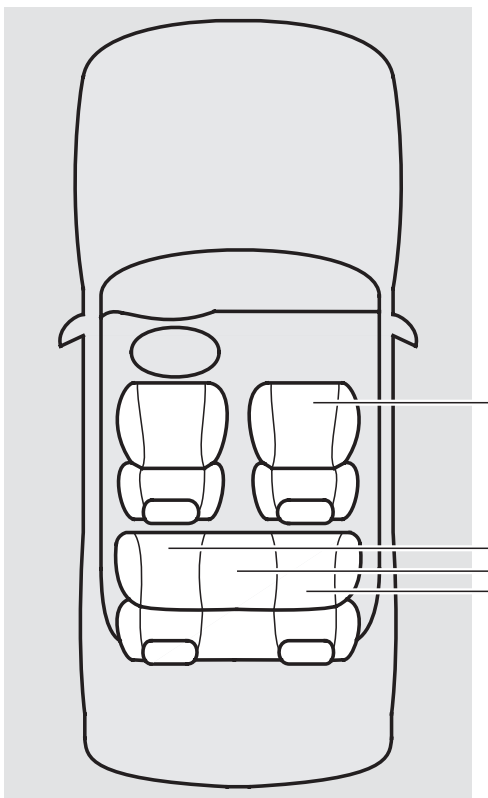
This page briefly summarizes Acura's recommendations on where to place rear-facing and forward-facing child seats in your car.

### Airbags Pose Serious Risks to Children

The passenger's front airbag inflates with enough force to kill or seriously injure an infant in a rear-facing child seat.

A small child in a forward-facing child seat is also at risk. If the vehicle seat is too far forward, or the child's head is thrown forward during a collision, an inflating front airbag can kill or seriously injure the child.

If a small child must ride in the front, follow the instructions provided in this section.



### Front Passenger's Seat

**Infants:** Never in the front seat, due to the front airbag hazard.

**Small children:** Not recommended, due to the front airbag hazard. If a small child must ride in front, move the vehicle seat to the rear-most position and secure a front-facing child seat with the seat belt (see page 32).

### Back Seats

**Infants:** Recommended positions. Secure a rear-facing child seat with the seat belt (see page 28).

**Small children:** Recommended positions. Secure a front-facing child seat with the seat belt (see page 32).

## ***Installing a Child Seat***

After selecting a proper child seat, and a good position to install the seat, there are three main steps in installing the seat:

- 1. Secure the child seat to the car with a seat belt.*** All child seats must be secured to the car with the lap part of a lap/shoulder belt. A child whose seat is not properly secured to the car can be endangered in a crash. See pages [29](#) and [33](#) for instructions on how to secure child seats in this car.
- 2. Make sure the child seat is firmly secured.*** After installing a child seat, push and pull the seat forward and from side to side to verify that it is secure.

To provide security during normal driving maneuvers as well as during a collision, we recommend that parents secure a child seat as firmly as possible.

However, a child seat does not need to be “rock solid.” In some vehicles or seating positions, it may be difficult to install a child seat so that it does not move at all. Some side-to-side or back-and-forth movement can be expected and should not reduce the child seat’s effectiveness.

If the child seat is not secure, try installing it in a different seating position, or use a different style of child seat that can be firmly secured in the desired seating position.

- 3. Secure the child in the child seat.*** Make sure the child is properly strapped in the child seat according to the child seat maker’s instructions. A child who is not properly secured in a child seat can be thrown out of the seat in a crash and be seriously injured.

## ***Storing a Child Seat***

When you are not using a child seat, either remove it and store it in a safe place, or make sure it is properly secured. An unsecured child seat can be thrown around the car during a crash or sudden stop and injure someone.

# Protecting Children

## Protecting Infants



### ***Child Seat Type***

Only a rear-facing child seat provides proper support for a baby's head, neck, and back. Infants up to about one year of age must be restrained in a rear-facing child seat.

Two types of seats may be used: a seat designed exclusively for infants, or a convertible seat used in the rear-facing, reclining mode.

## **▲WARNING**

Placing a rear-facing child seat in the front seat can result in serious injury or death if the passenger's front airbag inflates.

Always place a rear-facing child seat in the back seat, not the front.

We recommend that an infant be restrained in a rear-facing child seat until the infant reaches the seat maker's weight or height limit and is able to sit up without support.

### ***Rear-Facing Child Seat Placement***

In this car, a rear-facing child seat can be placed in any seating position in the back seat, but not in the front seat.

### ***Never put a rear-facing child seat in***

***the front seat.*** If the passenger's front airbag inflates, it can hit the back of the child seat with enough force to kill or seriously injure an infant. If an infant must be closely watched, we recommend that another adult sit in the back seat with the baby.

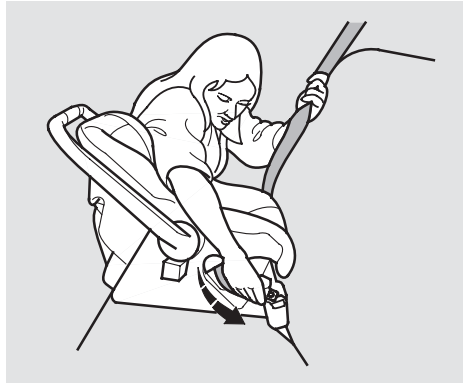
### ***Do not put a rear-facing child seat in a forward-facing position.***

If placed facing forward, an infant could be very seriously injured during a frontal collision.

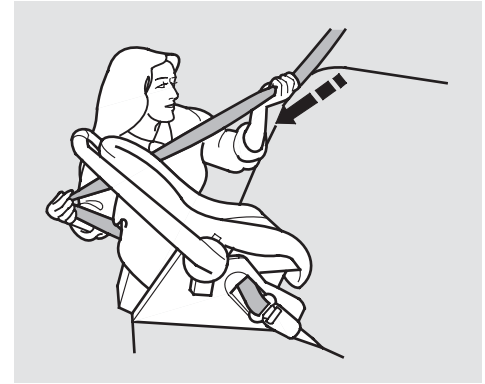
### ***Rear-Facing Child Seat Installation***

The lap/shoulder belts in the back seats have a locking mechanism that must be activated to secure a child seat.

The following pages provide instructions and tips on how to secure a rear-facing child seat with this type of seat belt.



1. With the child seat in the desired back seating position, route the belt through the child seat according to the seat maker's instructions, then insert the latch plate into the buckle.



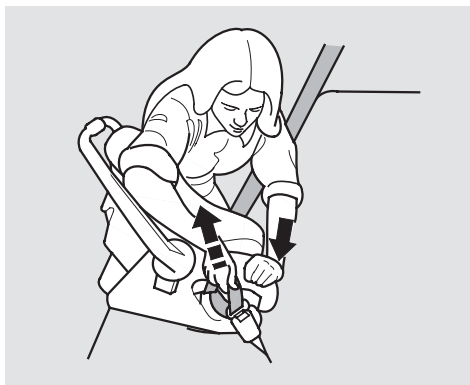
2. To activate the lockable retractor, slowly pull the shoulder part of the belt all the way out until it stops, then let the belt feed back into the retractor (you might hear a clicking noise as the belt retracts).
3. After the belt has retracted, tug on it. If the belt is locked, you will not be able to pull it out. If you can pull the belt out, it is not locked and you will need to repeat these steps.

*CONTINUED*

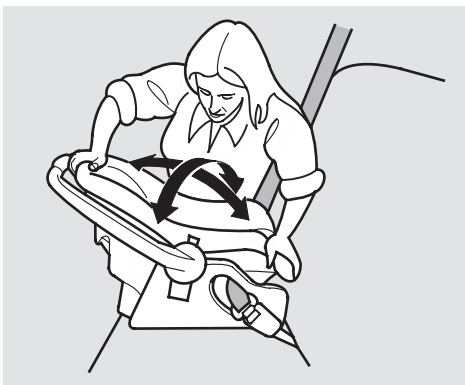


## Protecting Children

---



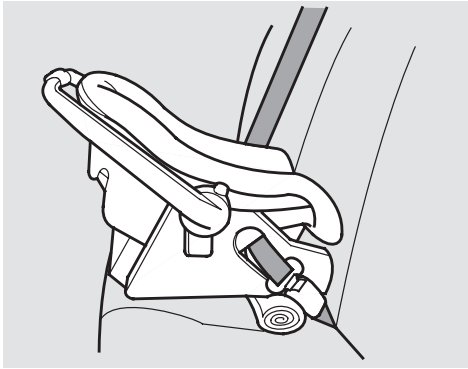
4. After confirming that the belt is locked, grab the shoulder part of the belt near the buckle and pull up to remove any slack from the lap part of the belt. Remember, if the lap part of the belt is not tight, the child seat will not be secure. To remove slack, it may help to put weight on the child seat, or push on the back of the seat, while pulling up on the belt.



5. Push and pull the child seat forward and from side to side to verify that it is secure enough to stay upright during normal driving maneuvers. If the child seat is not secure, unlatch the belt, allow it to retract fully, then repeat these steps.

To deactivate the locking mechanism and remove a child seat, unlatch the buckle, unrout the seat belt, and let the belt fully retract.

### **Rear-Facing Child Seat Installation Tips**



For proper protection, an infant must ride in a reclined, or semi-reclined position. To determine the proper reclining angle, check with the baby's doctor or follow the seat maker's recommendations.

To achieve the desired reclining angle, it may help to put a rolled up towel under the toe of the child seat, as shown.

When properly installed, a rear-facing child seat may prevent the driver or a front-seat passenger from moving the seat as far back as recommended (see page 12). Or it may prevent them from locking the seat-back in the desired upright position (see page 13).

In either case, we recommend that you place the child seat directly behind the front passenger seat, move the front seat as far forward as needed, and leave it unoccupied. Or you may wish to get a smaller child seat that allows you to safely carry a front passenger.

### **Additional Precautions for Infants**

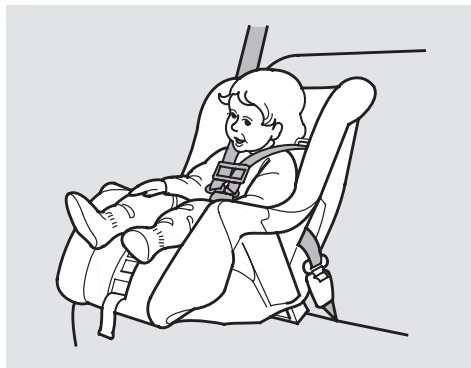
- **Never hold an infant on your lap.** If you are not wearing a seat belt in a crash, you could be thrown forward into the dashboard and crush the infant.

If you are wearing a seat belt, the infant can be torn from your arms during a crash. For example, if your car crashes into a parked vehicle at 30 mph (48 km/h), a 20-lb (9 kg) infant will become a 600-lb (275 kg) force, and you will not be able to hold on.

- **Never put a seat belt over yourself and an infant.** During a crash, the belt could press deep into the infant and cause very serious injuries.

# Protecting Children

## Protecting Small Children



### **Child Seat Type**

A child who can sit up without support, and who fits within the child seat maker's weight and height limits, should be restrained in a forward-facing, upright child seat.

Of the different seats available, we recommend those that have a five-point harness system as shown.

We also recommend that a small child stay in the child seat as long as possible, until the child reaches the weight or height limit for the seat.

### **Child Seat Placement**

In this car, the best place to install a forward-facing child seat is in one of the seating positions in the back seat.

***Placing a forward-facing child seat in the front seat of a vehicle equipped with a passenger's front airbag can be hazardous.*** If the vehicle seat is too far forward, or the child's head is thrown forward during a collision, an inflating front airbag can strike the child with enough force to cause very serious or fatal injuries. If a small child must be closely watched, we recommend that another adult sit in the back seat with the child.

## **▲WARNING**

Improperly placing a forward-facing child seat in the front seat can result in serious injury or death if the front airbags inflate.

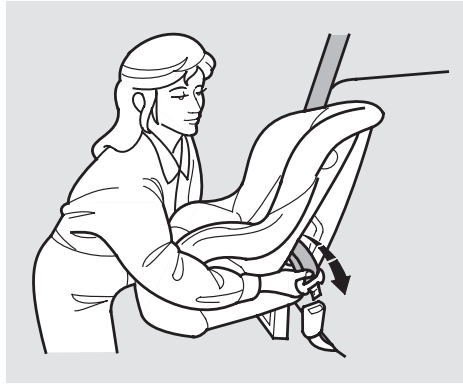
If you must place a forward-facing child seat in front, move the vehicle seat as far back as possible and properly restrain the child.

If it is necessary to put a forward-facing child seat in the front, move the vehicle seat as far to the rear as possible, be sure the child seat is firmly secured to the car, and the child is properly strapped in the seat.

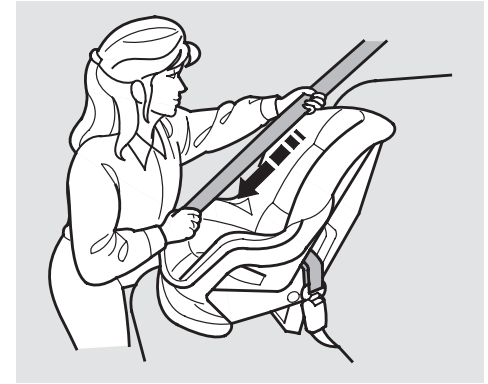
### ***Child Seat Installation***

The lap/shoulder belts in the back and front passenger seating positions have a locking mechanism that must be activated to secure a child seat.

The following pages provide instructions on how to secure a forward-facing child seat with this type of seat belt.



1. With the child seat in the desired seating position, route the belt through the child seat according to the seat maker's instructions, then insert the latch plate into the buckle.



2. To activate the lockable retractor, slowly pull the shoulder part of the belt all the way out until it stops, then let the belt feed back into the retractor (you might hear a clicking noise as the belt retracts).
3. After the belt has retracted, tug on it. If the belt is locked, you will not be able to pull it out. If you can pull the belt out, it is not locked and you will need to repeat these steps.

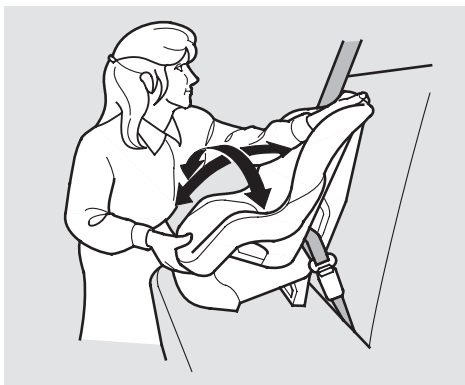
*CONTINUED*

## Protecting Children

---



4. After confirming that the belt is locked, grab the shoulder part of the belt near the buckle and pull up to remove any slack from the lap part of the belt. Remember, if the lap part of the belt is not tight, the child seat will not be secure. It may help to put weight on the child seat, or push on the back of the seat, while pulling up on the belt.



5. Push and pull the child seat forward and from side to side to verify that it is secure enough to stay upright during normal driving maneuvers. If the child seat is not secure, unlatch the belt, allow it to retract fully, then repeat these steps.

To deactivate the locking mechanism in order to remove a child restraint system, unlatch the buckle, unroute the seat belt, and let the belt fully retract.

## ***Additional Precautions for Small Children***

- ***Never hold a small child on your lap.*** If you are not wearing a seat belt in a crash, you could be thrown forward into the dashboard and crush the child.

If you are wearing a seat belt, the child can be torn from your arms during a crash. For example, if your car crashes into a parked vehicle at 30 mph (48 km/h), a 30-lb (14 kg) child will become a 900-lb (410 kg) force, and you will not be able to hold on.

- ***Never put a seat belt over yourself and a child.*** During a crash, the belt could press deep into the child and cause very serious injuries.

## **Protecting Larger Children**

When a child reaches the recommended weight or height limit for a forward-facing child seat, the child should sit in the back seat and wear a lap/shoulder belt.

If a child is too short for the shoulder part of the belt to properly fit, we recommend that the child use a booster seat until the child is tall enough to use the seat belt without a booster.

The following pages give instructions on how to check proper seat belt fit, what kind of booster seat to use if one is needed, and important precautions for a child who must sit in the front seat.

## **⚠ WARNING**

Allowing a larger child to sit improperly in the front seat can result in injury or death if the passenger's front airbag inflates.

If a larger child must sit in front, make sure the child moves the seat as far back as possible and wears the seat belt properly.

*CONTINUED*

## Protecting Children

---

### Checking Seat Belt Fit



To determine if a lap/shoulder belt properly fits a child, have the child put on the seat belt. Follow the instructions on page 15. Then check how the belt fits.

If the shoulder part of the belt rests over the child's collarbone and against the center of the chest, as shown, the child is large enough to wear the seat belt.

However, if the belt touches or crosses the child's neck, the child needs to use a booster seat.

***Do not let a child wear a seat belt across the neck.*** This could result in serious neck injuries during a crash.

***Do not let a child put the shoulder part of a seat belt behind the back or under the arm.*** This could cause very serious injuries during a crash. It also increases the chance that the child will slide under the belt in a crash and be injured.

***Do not put any accessories on a seat belt.*** Devices intended to improve occupant comfort or reposition the shoulder part of a seat belt, severely compromise the protective capability of the seat belt and increase the chance of serious injury in a crash.

***Two children should never use the same seat belt.*** If they do, they could be very seriously injured in a crash.

### *Using a Booster Seat*



If a child needs a booster seat, we recommend choosing a style that allows the child to use the lap/shoulder belt directly, without a shield, as shown.

Whichever style you select, follow the booster seat maker's instructions.

A child may continue using a booster seat until the tops of the ears are even with the top of the seat-back. A child of this height should be tall enough to use the lap/shoulder belt without a booster.

### *When Can a Larger Child Sit in Front*

The National Highway Traffic Safety Administration and Transport Canada recommend that all children ages 12 and under be properly restrained in a back seat.

The back seat is the safest place for a child of any age or size.

In addition, the passenger's front airbag poses serious risks to children. If the seat is too far forward, or the child's head is thrown forward during a collision, or the child is unrestrained or out of position, an inflating front airbag can kill or seriously injure the child.

The side airbag also poses risks. If any part of a larger child's body is in the path of a deploying airbag, the child could receive possibly serious injuries.

*CONTINUED*



## Protecting Children

---

Of course, children vary widely. And while age may be one indicator of when a child can safely ride in the front, there are other important factors you should consider.

### *Physical Size*

Physically, a child must be large enough for the lap/shoulder belt to properly fit over the hips, chest, and shoulder (see pages 15 and 35). If the seat belt does not fit properly, the child should not sit in the front.

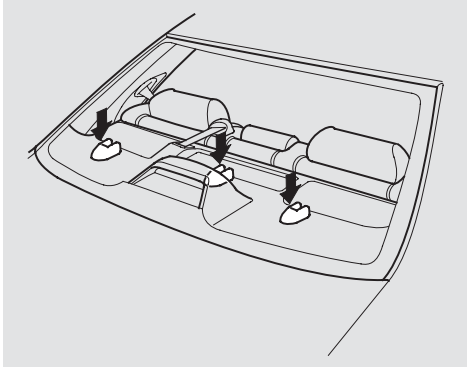
### *Maturity*

To safely ride in front, a child must be able to follow the rules, including sitting properly and wearing the seat belt properly throughout a ride.

If you decide that a child can safely ride up front, be sure to:

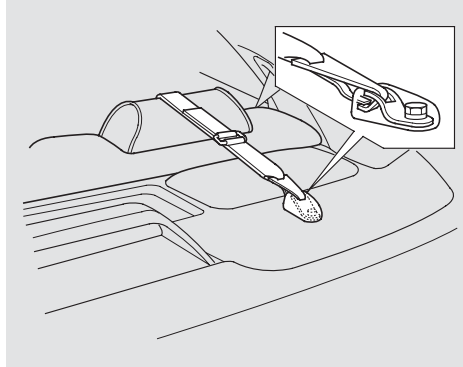
- Carefully read the owner's manual and make sure you understand all seat belt instructions and all safety information.
- Move the vehicle seat to the rear-most position.
- Have the child sit up straight, back against the seat, and feet on or near the floor.
- Check that the child's seat belt is properly positioned and secured.
- Supervise the child. Even mature children sometimes need to be reminded to fasten the seat belts or sit properly.

## Using Child Seats with Tethers



Your car has three tether anchorage points under the rear window for securing a tether-style child seat to the car.

Since a tether can provide additional security, we recommend using a tether whenever one is required or available.



Attach the tether strap hook to the tether anchorage point as shown in the illustration, then tighten the strap according to the child seat maker's instructions. Make sure the strap is not twisted.

## Additional Information About Your Seat Belts

---

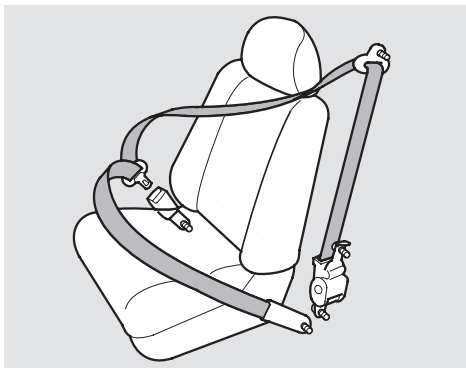
### Seat Belt System Components

Your seat belt system includes lap/shoulder belts in all five seating positions. The front seat belts are also equipped with automatic seat belt tensioners.



The seat belt system also includes a light on the instrument panel to remind you and your passengers to fasten your belts. If the driver's seat belt is not fastened before the ignition is turned ON (II), the light will come on and a beeper will also sound. The beeper will stop after a few seconds, but the light will stay on until the driver's seat belt is fastened.

### Lap/Shoulder Belt



This seat belt has a single belt that goes over your shoulder, across your chest and across your hips.

To fasten the belt, insert the latch plate into the buckle, then tug on the belt to make sure the buckle is latched.

To unlock the belt, push the red **PRESS** button on the buckle. Guide the belt across your body to the door pillar. After exiting the car, be sure the belt is out of the way and will not get closed in the door.

All seat belts have an emergency locking retractor. In normal driving, the retractor lets you move freely in your seat while it keeps some tension on the belt. During a collision or sudden stop, the retractor automatically locks the belt to help restrain your body.

The seat belts in all seating positions except the driver's have an additional locking mechanism that must be activated to secure a child seat. (See pages [29](#) and [33](#) for instructions on how to secure child seats with this type of seat belt.)

## Additional Information About Your Seat Belts

If the shoulder part of the belt is pulled all the way out, the locking mechanism will activate. The belt will retract, but it will not allow the passenger to move freely.

To deactivate the locking mechanism, unlatch the buckle and let the seat belt fully retract. To refasten the belt, pull it out only as far as needed.

See page 15 for instructions on how to wear the lap/shoulder belt properly.

### Automatic Seat Belt Tensioners



For added protection, the front seat belts are equipped with automatic seat belt tensioners. When activated, the tensioners immediately tighten the belts to help hold the driver and a front passenger in place.

The tensioners are designed to activate primarily in frontal collisions. The tensioners are independent of the airbag system, so they can be activated during a collision that

might not cause the airbags to deploy. In this case, the airbags would not be needed but the additional seat belt tension can be helpful.

The tensioners will be activated in a collision severe enough to cause the front airbags to inflate.

When the tensioners are activated, the seat belts will remain tight until they are unbuckled in the normal way.

**SRS**

The SRS indicator light will come on if there is a problem with your automatic seat belt tensioners (see page 45).

## Additional Information About Your Seat Belts

---

### Seat Belt Maintenance

For safety, you should check the condition of your seat belts regularly.

Pull each belt out fully and look for frays, cuts, burns, and wear. Check that the latches work smoothly and that the lap/shoulder belts retract easily. Any belt not in good condition or not working properly will not provide good protection and should be replaced as soon as possible.

### *U.S. Models*

Acura provides a lifetime warranty on seat belts. Acura will repair or replace any seat belt component that fails to function properly during normal use. Please see your *Acura Warranty Information* booklet for details.

### **▲WARNING**

Not checking or maintaining seat belts can result in serious injury or death if the seat belts do not work properly when needed.

Check your seat belts regularly and have any problem corrected as soon as possible.

If a seat belt is worn during a crash, it must be replaced by the dealer. A belt that has been worn during a crash may not provide the same level of protection in a subsequent crash. The dealer should also inspect the anchors for damage and replace them if needed.

Automatic seat belt tensioners that deployed during a crash must be replaced.

For information on how to clean your seat belts, see page [277](#) .

## Additional Information About Your Airbags

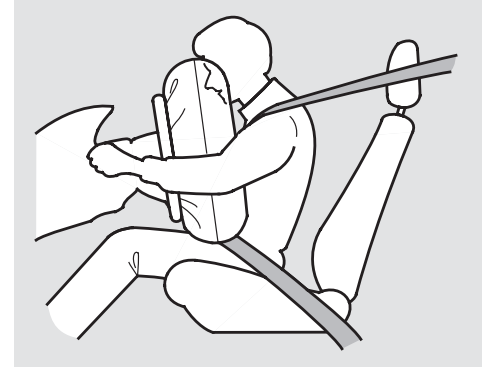
### SRS Components

Your Supplemental Restraint System (SRS) includes:

- Two front airbags. The driver's airbag is stored in the center of the steering wheel; the front passenger's airbag is stored in the dashboard. Both are marked "SRS AIRBAG."
- Automatic seat belt tensioners (see page 41).
- Sensors that can detect a moderate to severe frontal collision.
- A sophisticated electronic system that continually monitors and records information about the sensors, the control unit, the airbag activators, and driver and passenger seat belt use when the ignition is ON (II).

- An indicator light on the instrument panel that alerts you to a possible problem with the system (see page 45).
- Emergency backup power in case your car's electrical system is disconnected in a crash.

### How Your Front Airbags Work



If you ever have a moderate to severe frontal collision, the sensors will detect the vehicle's rapid deceleration. If the rate of deceleration is high enough, the control unit will instantly inflate the front airbags.

*CONTINUED*

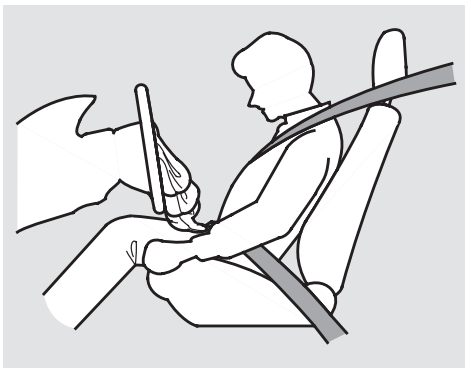
## Additional Information About Your Airbags

---

During a frontal crash, your seat belts help restrain your lower body and torso. Your airbag provides a cushion to help restrain and protect your head and chest.

Since both airbags use the same sensors, both airbags normally inflate at the same time. However, it is possible for only one airbag to inflate.

This can occur when the severity of a collision is at the margin, or threshold, that determines whether or not the airbags will deploy. In such cases, the seat belt will provide sufficient protection, and the supplemental protection offered by the airbag would be minimal.



After inflating, the front airbags immediately deflate, so they won't interfere with the driver's visibility, or the ability to steer or operate other controls.

The total time for inflation and deflation is approximately one-tenth of a second, so fast that most occupants are not aware that the airbags deployed until they see them lying in their laps.

After a crash, you may see what looks like smoke. This is actually powder from the airbag's surface. Although the powder is not harmful, people with respiratory problems may experience some temporary discomfort. If this occurs, get out of the car as soon as it is safe to do so.

### *U.S. Owners*

For additional information on how your airbags work, see the booklet titled *SRS: What You Need to Know About Airbags* that came with your owner's manual.

### *Canadian Owners*

For additional information on how your airbags work, ask your dealer for a copy of the booklet titled *SRS: What You Need to Know About Airbags*.

## Additional Information About Your Airbags

### How Your Side Airbags Work

Your car is equipped with side airbags for the driver and a front seat passenger. The airbags are stored in the outer edges of the front seat-backs, and both are marked “SIDE AIRBAG.”



If you ever have a moderate to severe side impact, the sensors will detect rapid deceleration and signal the control unit to instantly inflate either the driver's or the passenger's side airbag.

Only one airbag will deploy during a side impact. If the impact is on the passenger's side, the passenger's side airbag will deploy even if there is no passenger.

To get the best protection from the side airbags, front seat occupants should wear their seat belts and sit upright and well back in their seats.



## Additional Information About Your Airbags

---

### How the SRS Indicator Light Works

**SRS** The purpose of the SRS indicator light is to alert you to a potential problem with your front airbags. This light will also alert you to a potential problem with your automatic seat belt tensioners (page 41); or your side airbags or passenger's side airbag automatic cutoff system (page 45).

When you turn the ignition ON (II), this indicator will light briefly then go out. This tells you that the system is working properly.

If the light comes on at any other time, or does not come on at all, you should have the system checked by your dealer. For example:

- If the SRS indicator light does not come on after you turn the ignition ON (II).
- If the light stays on after the engine starts.
- If the light comes on or flashes on and off while you drive.

If you see any of these indications, your front or side airbags may not deploy, your passenger's side airbag automatic cutoff system may not work properly, or your seat belt tensioners may not work when you need them. See your Acura dealer as soon as possible.

### **WARNING**

Ignoring the SRS indicator light can result in serious injury or death if the airbags, cutoff system, or tensioners do not work properly.

Have your vehicle checked by a dealer as soon as possible if the SRS light alerts you to a potential problem.

### How The Side Airbag Indicator Light Works

 This light alerts you that the passenger's side airbag has been automatically shut off.

To reduce the risk of injury from an inflating side airbag, your car has an automatic cutoff system for the passenger's side airbag.

Although Acura does not encourage children to ride in the front seat, this system is designed to shut off the side airbag if a child leans sideways and the child's head is in the side airbag deployment path.

If a small-statured adult leans sideways, or larger adult slouches and leans sideways into the deployment path of the side airbag, the system may also shut off the side airbag.

If the side airbag indicator light comes on, you should have the passenger sit upright. Once the passenger is out of the deployment path of the side airbag, the system will turn the airbag back on and the light will go out.

A front seat passenger should not use a cushion or other object as a backrest. It may prevent the cutoff system from working properly.

When you turn the ignition ON (II), the indicator should light briefly and go out (see page [55](#)). If it doesn't light, stays on, or comes on while driving without a passenger in the front seat, have the system checked.

## Additional Information About Your Airbags

---

### Airbag Service

Your front and side airbag systems are virtually maintenance-free, and there are no parts you can safely service. However, you must have your car serviced if:

- **Your airbags ever inflate.** Any airbag that has deployed must be replaced along with the control unit and other related parts. Do not try to remove or replace any airbag by yourself. This must be done by an Acura dealer or a knowledgeable body shop.
- **The SRS indicator light alerts you to a problem.** Take your car to an authorized Acura dealer as soon as possible. If you ignore this indication, the airbags might not inflate when you need them.

### Additional Safety Precautions

- **Do not attempt to deactivate your airbags.** Together, airbags and seat belts provide the best protection.
- **Do not tamper with airbag components or wiring for any reason.** Tampering could cause the airbags to deploy, possibly causing very serious injury.
- **Do not expose the front seat-backs to water.** If rain or spilled water soaks into a seat-back, it can prevent the side airbag system from working properly.

- **Do not cover or replace front seat-back covers without consulting an Acura dealer.** Improperly replacing or covering front seat-back covers can prevent your side airbags from inflating during a collision.

See page [185](#) for further information and precautions relating to your airbags.

Your car's exhaust contains carbon monoxide gas. You should have no problem with carbon monoxide entering the car in normal driving if you maintain your car properly. Have the exhaust system inspected for leaks whenever:

- The car is raised for an oil change.
- You notice a change in the sound of the exhaust.
- The car was in an accident that may have damaged the underside.

### **▲WARNING**


Carbon monoxide gas is toxic. Breathing it can cause unconsciousness and even kill you.

Avoid any enclosed areas or activities that expose you to carbon monoxide.

High levels of carbon monoxide can collect rapidly in enclosed areas, such as a garage. Do not run the engine with the garage door closed. Even with the door open, run the engine only long enough to move the vehicle out of the garage.

With the trunk lid open, air flow can pull exhaust gas into your car's interior and create a hazardous condition. If you must drive with the trunk lid open, open all the windows and set the climate control system as shown below.

If you must sit in your parked car, even in an unconfined area, with the engine running, adjust the climate control system as follows:

1. Select the Fresh Air mode.
2. Select the  mode.
3. Set the fan speed to high.
4. Set the temperature control to a comfortable setting.

# Safety Labels

These labels are in the locations shown. They warn you of potential hazards that could cause serious injury. Read these labels carefully.

If a label comes off or becomes hard to read, contact your Acura dealer for a replacement.

## SUN VISOR

*U.S. models*

<b>⚠ WARNING</b>	
	<b>DEATH or SERIOUS INJURY can occur</b>
	<ul style="list-style-type: none"> <li>• Children 12 and under can be killed by the air bag</li> <li>• The <b>BACK SEAT</b> is the <b>SAFEST</b> place for children</li> <li>• <b>NEVER</b> put a rear-facing child seat in the front</li> <li>• Sit as far back as possible from the air bag</li> <li>• <b>ALWAYS</b> use <b>SEAT BELTS</b> and <b>CHILD RESTRAINTS</b></li> </ul>

*Canadian models*

<p><b>CAUTION</b> TO AVOID SERIOUS INJURY: • FOR MAXIMUM SAFETY PROTECTION IN ALL TYPES OF CRASHES, YOU MUST ALWAYS WEAR YOUR SAFETY BELT. • <b>DO NOT</b> INSTALL REARWARD-FACING CHILD SEATS IN ANY FRONT PASSENGER SEAT POSITION. • <b>DO NOT</b> SIT OR LEAN UNNECESSARILY CLOSE TO THE AIR BAG. • <b>DO NOT</b> PLACE ANY OBJECTS OVER THE AIR BAG OR BETWEEN THE AIR BAG AND YOURSELF. • SEE THE OWNER'S MANUAL FOR FURTHER INFORMATION AND EXPLANATIONS.</p>	<p><b>PRÉCAUTION:</b> <b>POUR ÉVITER DES BLESSURES GRAVES:</b> • <b>POUR PROFITER D'UNE PROTECTION MAXIMALE</b>, LORS D'UNE COLLISION, <b>BOUCLEZ TOUJOURS VOTRE CEINTURE DE SÉCURITÉ.</b> • <b>N'INSTALLEZ JAMAIS UN SIÈGE POUR ENFANTS FASANT FACE À L'ARRIÈRE</b> SUR LE SIÈGE DU PASSAGER AVANT. • <b>NE VOUS APPUYEZ PAS ET NE VOUS ASSEYEZ PAS PRES DU COUSSIN GONFLABLE.</b> • <b>NE DÉPOSEZ AUCUN OBJET SUR LE COUSSIN GONFLABLE OU ENTRE LE COUSSIN GONFLABLE ET VOUS.</b> • <b>LISEZ LE GUIDE UTILISATEUR POUR DE PLUS AMPLES RENSEIGNEMENTS.</b></p>
---------------------------------------------------------------------------------------------------------------------------------------------------------------------------------------------------------------------------------------------------------------------------------------------------------------------------------------------------------------------------------------------------------------------------------------------------------------------------------------------	-----------------------------------------------------------------------------------------------------------------------------------------------------------------------------------------------------------------------------------------------------------------------------------------------------------------------------------------------------------------------------------------------------------------------------------------------------------------------------------------------------------------------------------------------------------------------------------------

## DASHBOARD

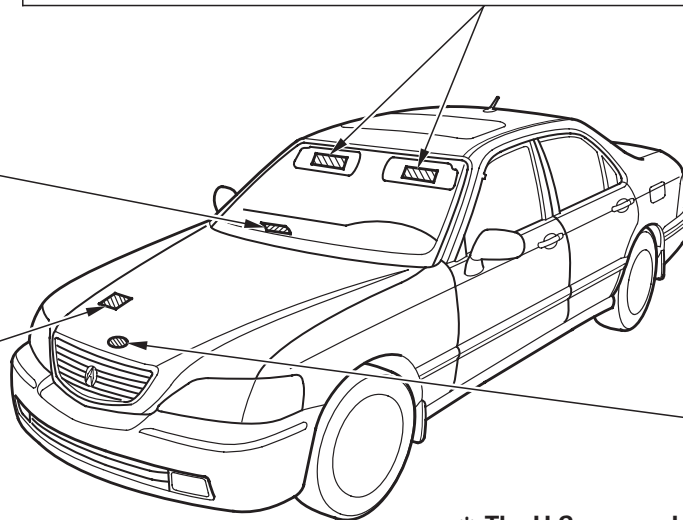
*U.S. models only*

<b>⚠ WARNING</b>	
<b>Children Can Be KILLED or INJURED by Passenger Air Bag</b>	
<ul style="list-style-type: none"> <li>• The back seat is the safest place for children 12 and under.</li> <li>• Make sure all children use seat belts or child seats.</li> </ul>	
To be removed by owner only.	

## HOOD

<b>⚠ WARNING</b>	
<b>Accidental deployment can seriously hurt or kill you.</b>	
<b>Follow Service Manual instructions carefully.</b>	

<b>⚠ ATTENTION</b>	
Un déploiement accidentel risque de causer de graves blessures, voire la mort.	
Suivre attentivement les instructions du manuel de réparation.	



## RADIATOR CAP

<b>DANGER</b>	
<b>WARNING</b>	
<b>危険</b>	
▶ <b>NEVER OPEN WHEN HOT.</b> Hot coolant will scald you.	
▶ <b>N'OUVREZ PAS QUAND CHAUD.</b>	
▶ <b>NICHT BEI HEISSEM MOTOR ÖFFNEN.</b>	
▶ 熱い時あけないで下さい。	
▶ 高温時、請勿打开。	
<b>1.1</b>	

\* The U.S. car model

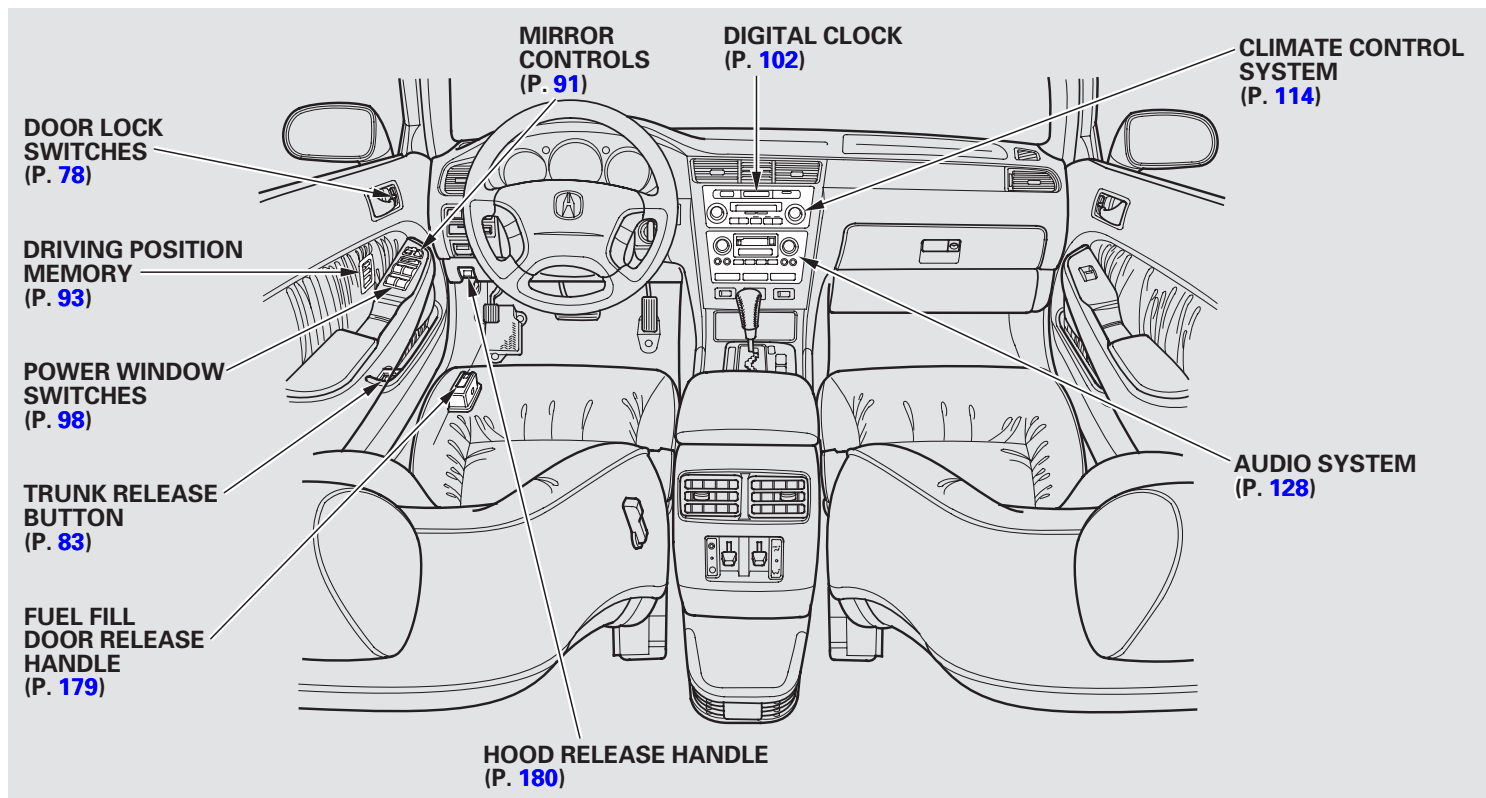
This section gives information about the controls and displays that contribute to the daily operation of your Acura. All the essential controls are within easy reach.

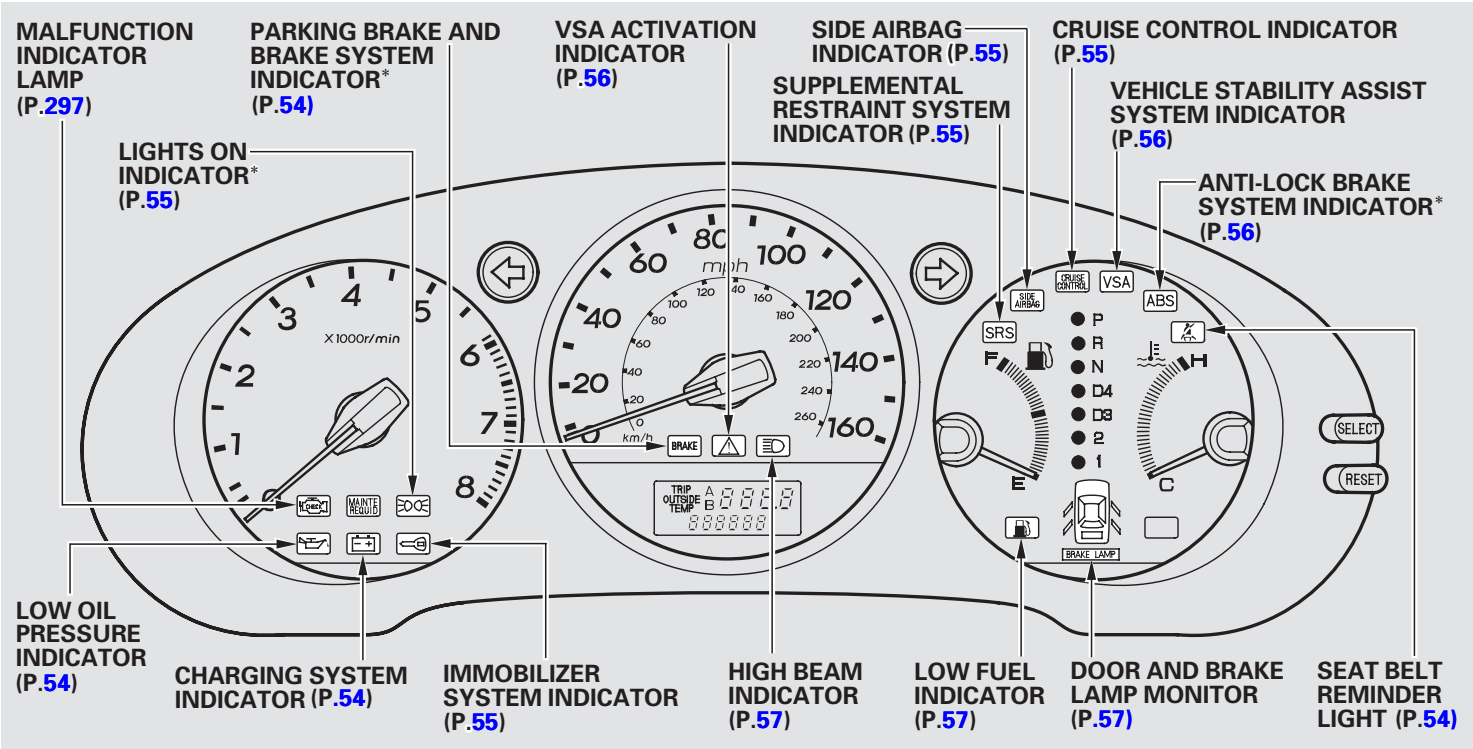
Control Locations .....	52
Indicator Lights.....	53
Gauges .....	58
Speedometer .....	58
Tachometer .....	58
Odometer.....	59
Trip Meter/Outside Temperature Indicator.....	59
Temperature Gauge.....	60
Fuel Gauge .....	60
Maintenance Required Indicator.....	61

Controls Near the Steering	
Wheel.....	62
Headlights .....	63
Automatic Lighting .....	64
Daytime Running Lights.....	65
Instrument Panel Brightness.....	66
Turn Signals .....	66
Fog Lights .....	67
Windshield Wipers .....	68
Windshield Washers .....	70
Hazard Warning.....	70
Rear Window Defogger .....	71
Steering Wheel Adjustments .....	71
Keys and Locks.....	74
Keys.....	74
Immobilizer System.....	75
Ignition Switch .....	77
Power Door Locks.....	78
Remote Transmitter .....	79
Childproof Door Locks .....	82
Trunk .....	83
Emergency Trunk Opener .....	84
Glove Box .....	85
Seat Adjustments.....	86
Driver's Seat Adjustments.....	86
Driver's Lumbar Support.....	88

Front Passenger's Seat	
Adjustments .....	88
Head Restraints .....	88
Armrest.....	89
Mirrors.....	91
Adjusting the Power Mirrors .....	91
Driving Position Memory	
System.....	93
Seat Heaters .....	95
Ski Sleeve.....	96
Power Windows .....	98
Moonroof .....	100
Parking Brake .....	102
Digital Clock.....	102
Sunglasses Holder .....	104
Beverage Holder.....	105
Console Compartment .....	106
Coin Box .....	106
Sun Visor.....	107
Vanity Mirror .....	107
Accessory Power Socket .....	108
Cigarette Lighter .....	109
Ashtrays.....	110
Ceiling Lights.....	111
Courtesy Lights .....	112

# Control Locations





\* The U.S. instrument panel is shown. Differences for the Canadian models are noted in the text.



## Indicator Lights

---

The instrument panel has many indicators to give you important information about your car.



### Seat Belt Reminder Light

This indicator lights when you turn the ignition switch ON (II). It is a reminder to you and your passengers to protect yourselves by fastening the seat belts. A beeper also sounds if you have not fastened your seat belt.

If you do not fasten your seat belt, the beeper will stop after a few seconds but the light stays on until you do. Both the light and the beeper stay off if you fasten your seat belt before turning on the ignition.



### Low Oil Pressure Indicator

The engine can be severely damaged if this light flashes or stays on when the engine is running. For complete information, see page [295](#).



### Charging System Indicator

If this light comes on when the engine is running, the battery is not being charged. For complete information, see page [296](#).

U.S.

**BRAKE**

Canada



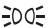

### Parking Brake and Brake System Indicator

This light has two functions:

1. This indicator comes on when you turn the ignition switch ON (II). It is a reminder to check the parking brake. Driving with the parking brake not fully released can damage the brakes and tires.
2. If the indicator remains lit after you have fully released the parking brake while the engine is running, or if it comes on while driving, it can indicate a problem in the brake system. For complete information, see page [299](#).



### Lights On Indicator (U.S. models only)

This indicator reminds you that the exterior lights are on. It comes on when the light switch is in either the  or  position. If you turn the ignition switch to ACCESSORY (I) or LOCK (0) without turning off the light switch, this indicator will remain on. A reminder chime will also sound when you open the driver's door.

This indicator will also come on when the light switch is in AUTO and the lights turn on automatically.



### Cruise Control Indicator

This lights when you set the cruise control. See page [158](#) for information on operating the cruise control.



### Immobilizer System Indicator

This indicator comes on for a few seconds when you turn the ignition switch ON (II). It will then go off if you have inserted a properly-coded ignition key. If it is not a properly-coded key, the indicator will blink and the engine will not start (see page [75](#) ).

This indicator also blinks several times when you turn the ignition switch from ON (II) to ACCESSORY (I) or LOCK (0).



### Malfunction Indicator Lamp

See page [297](#) .



### Supplemental Restraint System Indicator

This indicator lights when you turn the ignition switch ON (II). If it comes on at any other time, it indicates a potential problem with your front airbags. This light will also alert you to a potential problem with your side airbags, passenger's side airbag automatic cutoff system or automatic seat belt tensioners. For complete information, see page [45](#) .



### Side Airbag Indicator

This indicator lights when you turn the ignition switch ON (II). If it comes on at any other time, it indicates that the passenger's side airbag has automatically shut off. For complete information, see page [47](#) .

## Indicator Lights

---

### **Vehicle Stability Assist (VSA) System Indicator**

This indicator normally comes on for a few seconds when you turn the ignition switch ON (II).

If this light comes on and stays on at any other time, or it does not come on when you turn the ignition switch ON (II), there is a problem with the VSA system. Take the car to your dealer to have it checked. Without VSA, your car still has normal driving ability, but will not have VSA traction and stability enhancement. See page [201](#) for more information on the VSA system.

### **VSA Activation Indicator**

This indicator has three functions:

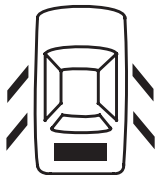
1. It comes on as a reminder that you have turned off the Vehicle Stability Assist (VSA) system.
2. It flashes when VSA is active (see page [201](#)).
3. It comes on along with the VSA system indicator if there is a problem with the VSA system.

This indicator normally comes on for a few seconds when you turn the ignition switch ON (II). See page [201](#) for more information on the VSA system.

### **U.S. ABS** **Canada ABS** **Anti-lock Brake System (ABS) Indicator**

This light normally comes on for a few seconds when you turn the ignition switch ON (II), and when the ignition switch is turned to START (III). If this light comes on at any other time, there is a problem in the ABS. If this happens, take the car to your dealer to have it checked. With the light on, your car still has normal braking ability but no anti-lock. For complete information, see page [199](#).

## Door and Brake Lamp Monitor



**BRAKE LAMP**

The appropriate light comes on in this display if the trunk or any door is not closed tightly. If a brake light does not work, the **BRAKE LAMP** indicator comes on when you push the brake pedal with the ignition switch ON (II).

A burned out brake light is a hazard when drivers behind you cannot tell you are braking. Have your brake lights repaired right away.

All the lights in the monitor display come on for a few seconds when you turn the ignition switch ON (II).



## Turn Signal and Hazard Warning Indicators

The left or right turn signal light blinks when you signal a lane change or turn. If the light does not blink or blinks rapidly, it usually means one of the turn signal bulbs is burned out (see page 260). Replace the bulb as soon as possible, since other drivers cannot see that you are signalling.

When you turn on the Hazard Warning switch, both turn signal lights blink. All turn signals on the outside of the vehicle should flash.



## Low Fuel Indicator

This light comes on as a reminder that you must refuel soon.



## High Beam Indicator

This light comes on with the high beam headlights. See page 63 for information on the headlight controls.

On Canadian models, this indicator comes on with reduced brightness when the Daytime Running Lights (DRL) are on (see page 65).



## “Daytime Running Lights” Indicator

*Canadian models only*

This indicator lights when you turn the ignition switch to ON (II) with the headlight switch off and the parking brake set. It should go off if you turn on the headlights or release the parking brake. If it comes on at any other time, it means there is a problem with the DRL. There may also be a problem with the high beam headlights.

# Gauges

The gauges illuminate when you turn the ignition switch ON (II).

## Speedometer

### *U.S. Models*

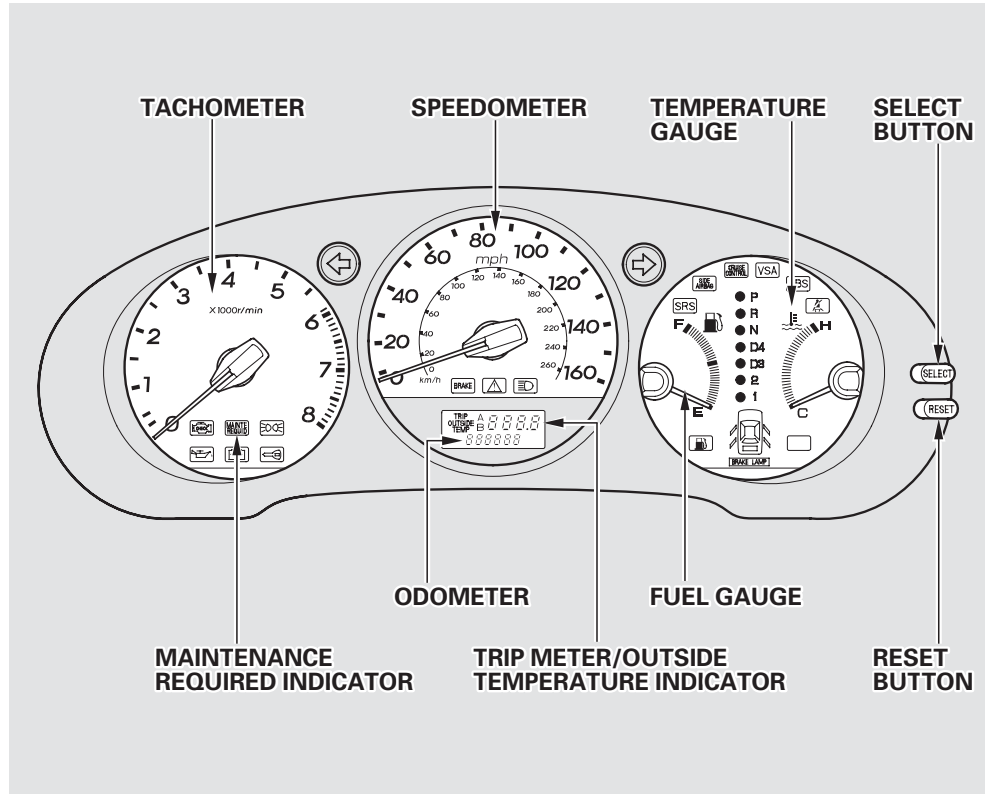
This shows your speed in miles per hour (mph). The smaller inner numbers are the speed in kilometers per hour (km/h).

### *Canadian Models*

This shows your speed in kilometers per hour (km/h). The smaller inner numbers are the speed in miles per hour (mph).

## Tachometer

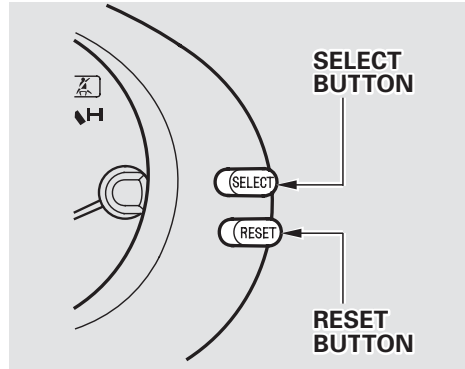
The tachometer shows the engine speed in revolutions per minute (rpm). To protect the engine from damage, never drive with the tachometer needle in the red zone.



## Odometer

The odometer shows the total distance your car has been driven. It measures miles in U.S. models and kilometers in Canadian models. It is illegal under U.S. federal law and Canadian provincial regulations to disconnect, reset, or alter the odometer with the intent to change the number of miles or kilometers indicated.

## Trip Meter/Outside Temperature Indicator



The trip meter and the outside temperature indicator use the same display. To switch the display between the trip meter and the outside temperature, press the Select button. When you turn the ignition switch to ON (II), what you last selected is displayed.

## Trip Meter

The trip meter shows the number of miles (U.S.) or kilometers (Canada) driven since you last reset it.

There are two trip meters, Trip A and Trip B. Switch between these and the outside temperature display by pressing the Select button repeatedly. Each trip meter works independently, so you can keep track of two different distances.

To reset a trip meter, display it and then press the Reset button until you hear a beep. Both trip meters will reset if the car's battery goes dead or is disconnected.

*CONTINUED*

# Gauges

---

## ***Outside Temperature Indicator***

This indicator displays the outside temperature in Fahrenheit in U.S. models, and in Centigrade in Canadian models.

The temperature sensor is located in the front bumper. Therefore, the temperature reading can be affected by heat reflection from the road surface, engine heat, and the exhaust from the surrounding traffic. This can cause the temperature reading not to be correct when your speed is under 19 mph (30 km/h).

In certain weather conditions, temperature readings near freezing (32°F, 0°C) could mean that ice is forming on the road surface.

## **Temperature Gauge**

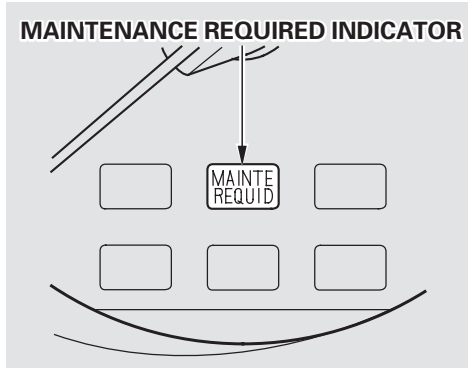
This shows the temperature of the engine's coolant. During normal operation, the pointer should rise from the bottom white mark to about the middle of the gauge. In severe driving conditions, such as very hot weather or a long period of uphill driving, the pointer may rise to near the upper white mark. If it reaches the red (Hot) mark, pull safely to the side of the road. Turn to page [293](#) for instructions and precautions on checking the engine's cooling system.

## **Fuel Gauge**

This shows how much fuel you have. It is most accurate when the car is on level ground. It may show slightly more or less than the actual amount when you are driving on curvy or hilly roads.

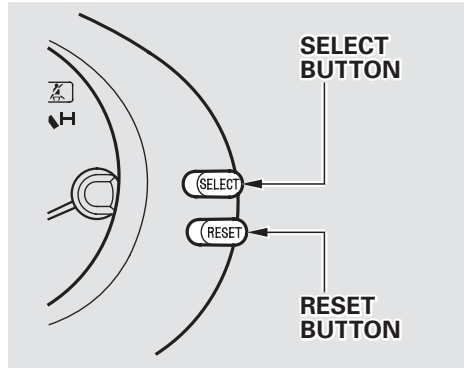
The gauge stays at the same fuel level reading after you turn off the ignition. When you add fuel, the gauge slowly changes to the new reading after you turn the ignition switch back ON (II).

## Maintenance Required Indicator



This indicator reminds you that it is time to take your car in for scheduled maintenance. Refer to the Maintenance Schedules for Normal and Severe Driving Conditions on pages [218](#) – [222](#).

For the first 6,000 miles (9,600 km) after the Maintenance Required Indicator is reset, it will come on for two seconds when you turn the ignition switch ON (II).



Between 6,000 miles (9,600 km) and 7,500 miles (12,000 km) this indicator will light for two seconds when you first turn the ignition switch ON (II), and then flash for ten seconds.

If you exceed 7,500 miles (12,000 km) without having the scheduled maintenance performed, this indicator will remain on as a constant reminder.

Your dealer will reset this indicator after completing the scheduled maintenance. If this maintenance is done by someone other than your Acura dealer, reset the indicator as follows.

1. Turn off the engine.
2. Press and hold the select and reset buttons next to the instrument panel, then turn the ignition switch ON (II).
3. Hold the buttons for approximately ten seconds until the indicator resets.



## Controls Near the Steering Wheel

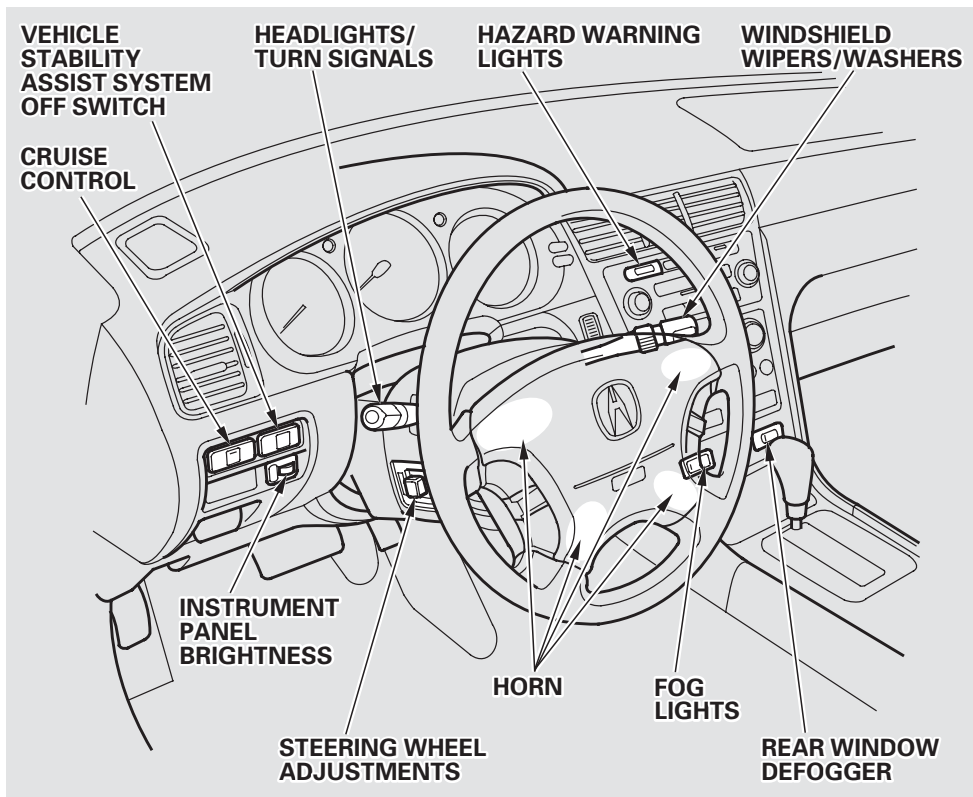
The two levers on the steering column contain controls for driving features you use most often. The left lever controls the turn signals, headlights, and high beams. The right lever controls the windshield washers and wipers.

The switch for the hazard warning lights is on the dashboard to the right of the steering column.

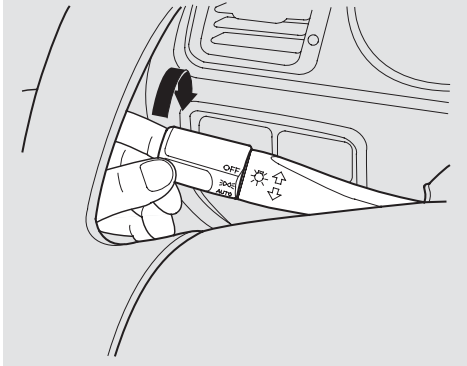
The controls under the left air vent are for the cruise control, instrument panel brightness and the VSA System.



The switches for the rear window defogger and fog lights are under the audio system.

The steering wheel adjustment switch on the side of the steering column allows you to tilt and telescope the steering wheel.



## Headlights

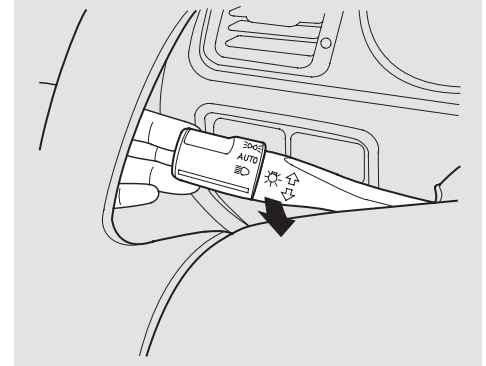


The rotating switch on the left lever controls the lights. Turning this switch to the  position turns on the parking lights, taillights, side marker lights, and rear license plate lights. Turning the switch to the  position turns on the headlights.

If you leave the lights on with the ignition switch in ACCESSORY (I) or LOCK (0), you will hear a reminder chime when you open the driver's door.

### *U.S. models only*

When the light switch is in either of these positions, the Lights On indicator comes on as a reminder. This light remains on if you leave the light switch on and turn the ignition switch to ACCESSORY (I) or LOCK (0).



To change between low beams and high beams, pull the turn signal lever until you hear a click, then let go. The blue high beam indicator will light (see page 57).

CONTINUED

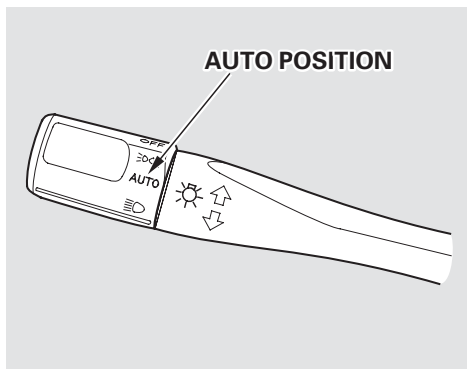
## Controls Near the Steering Wheel

---

To flash the high beams, pull the turn signal lever back lightly, then release it. The high beams will come on and go off.

The high beams will stay on for as long as you hold the lever back, no matter what position the headlight switch is in.

### Automatic Lighting




#### *On U.S. models*

The Automatic Lighting feature turns on the headlights, all other exterior lights, and the instrument panel lights when it senses low ambient light.

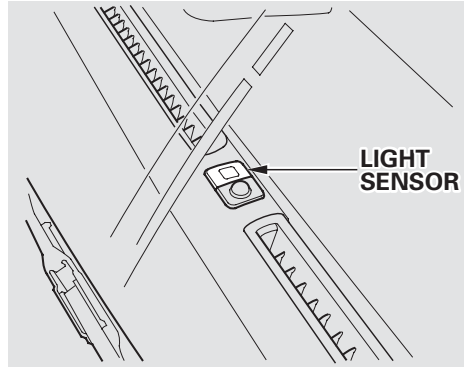
To turn on automatic lighting, turn the light switch to AUTO at any time. The lights will come on automatically when the outside light level becomes low (at dusk, for example). The

Lights On indicator comes on as a reminder. The lights and indicator will turn off automatically when the system senses high ambient light.

The lights will remain on when you turn off the ignition switch. They will turn off automatically when you open the driver's door. To turn them on again, either turn the ignition switch to ON (II) or turn the light switch to .

Even with the automatic lighting feature turned on, we recommend that you turn on the lights manually when driving at night or in a dense fog, or when you enter dark areas, such as long tunnels or parking structures.

Do not leave the light switch in AUTO if you will not be driving the car for an extended period (a week or more). You should also turn off the lights if you plan to leave the engine idling or the engine off for a long time. This will prevent the battery from discharging.



The automatic lighting feature is controlled by a sensor located on top of the dashboard. Do not cover this sensor or spill liquids on it.

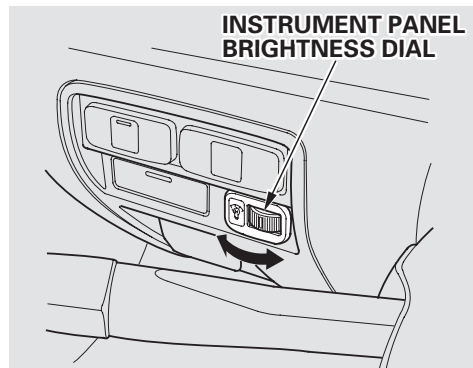
### **Daytime Running Lights (Canadian Models)**

With the headlight switch off, the high beam headlights come on with reduced brightness when you turn the ignition switch to ON (II) and release the parking brake. They remain on until you turn the ignition off, even if you set the parking brake.



The headlights revert to normal operation when you turn them on with the switch.

## Controls Near the Steering Wheel

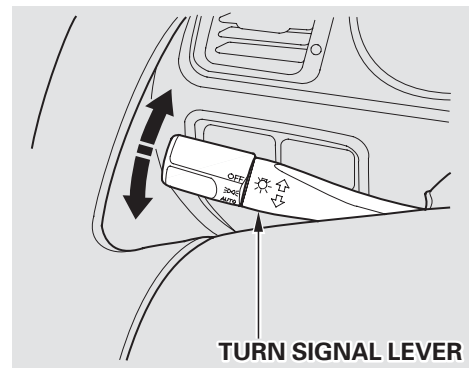
### Instrument Panel Brightness



The dial on the dashboard to the left of the instrument panel is used to adjust the brightness of the lights in the controls and displays. Turn the dial to adjust the brightness.

To reduce glare at night, the instrument panel illumination dims when you turn the light switch to  or . Turning the instrument panel brightness control fully to the left, past the detent, will return the instrument panel to its full brightness.

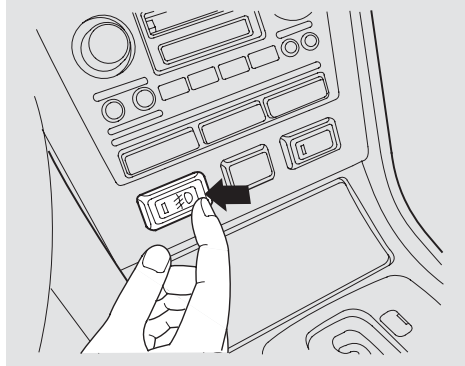
### Turn Signals



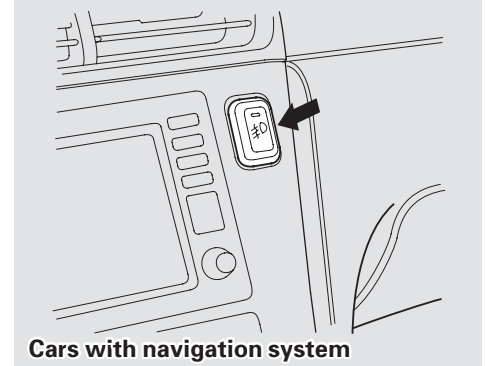
Signal a turn or lane change with this lever. Push down on the lever to signal a left turn, and up to signal a right turn. If you push it up or down all the way, the turn signal continues to blink even when you release the lever. It shuts off automatically as you complete the turn.

To signal a lane change, push lightly on the turn signal lever in the proper direction and hold it. The lever will return to the center position as soon as you release it.

### Fog Lights



Turn the fog lights on and off by pressing the button. The indicator in the button lights to show the fog lights are on.



**Cars with navigation system**

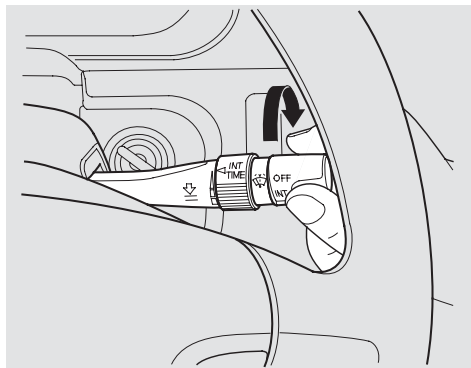
You can use the fog lights only when the headlights are on low beam. They will go off when you turn the headlights off or onto high beam.

#### *U.S. models only*

With the light switch in the AUTO position, you can also use the fog lights when the headlights turn on automatically. They will go off when the headlights turn off.

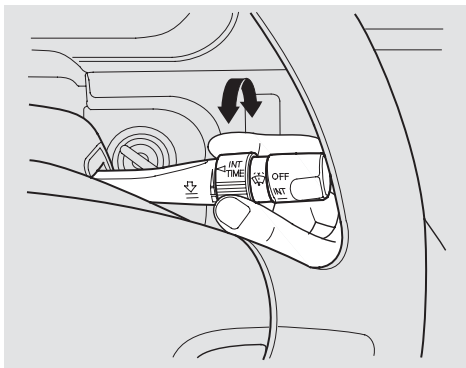
## Controls Near the Steering Wheel

### Windshield Wipers



The right lever controls the windshield wipers and washers. The rotary switch at the end of the lever has three positions:

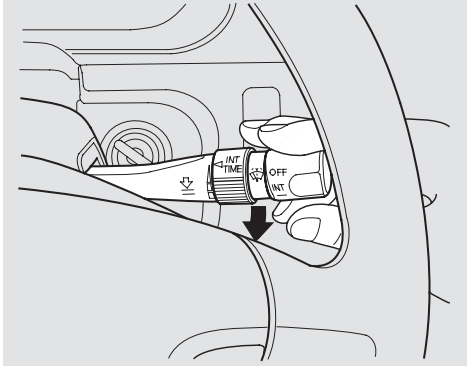
- INT: intermittent
- : low speed
- == : high speed



In intermittent, the wipers operate every few seconds. The sweep interval will change slightly with speed; getting shorter as you drive faster. In low speed and high speed, the wipers run continuously.

You can vary how often the wipers sweep the windshield by turning the INT TIME ring next to the rotary switch.

If you turn the INT TIME ring to the shortest delay, the wipers will change from intermittent to low speed operation when vehicle speed exceeds 12 mph (20 km/h).

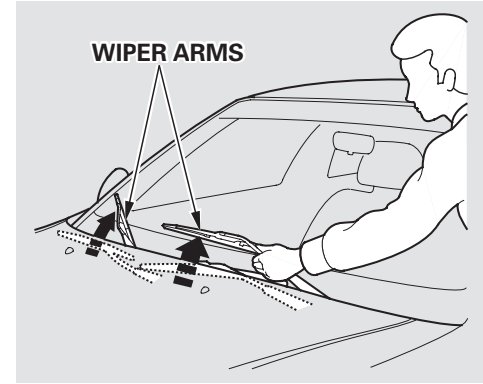


To operate the wipers in mist mode, push the control lever down. The wipers run at high speed until you release the lever. This gives you a quick way to clear the windshield.

### ***Wiper Arms Winter Position***

The windshield wiper arms have two parked positions: Winter and Summer. In the winter position, the arms sit slightly above the edge of the hood. This reduces the possibility of damage to the wiper arms or windshield wiper motor by a build-up of snow and ice.

Adjust the wiper arms to the winter position by grasping either arm near the pivot. Pull on the arm, parallel to the windshield, until it locks in the higher position. Push the arm in the other direction to return the wipers to the summer position.



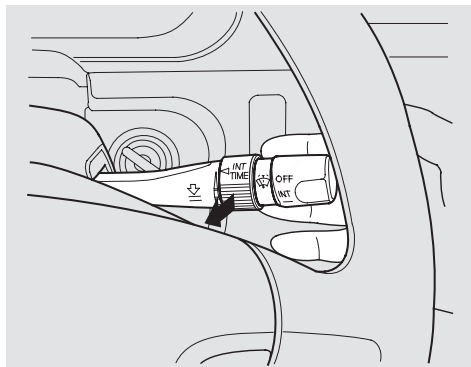
A heavy build-up of snow or ice on the wiper arms will cause them to automatically park in the winter position.



## Controls Near the Steering Wheel

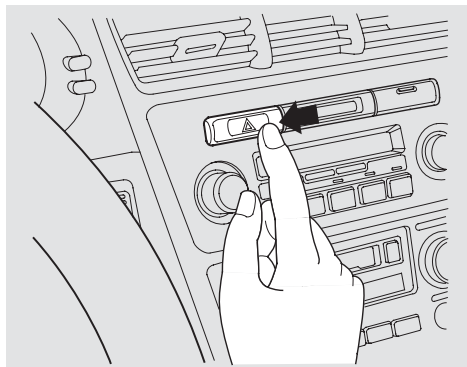
---

### Windshield Washers

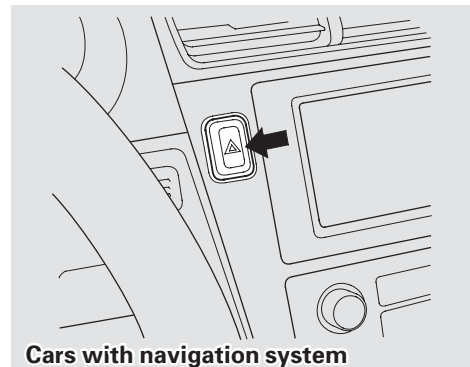


To clean the windshield, pull back on the wiper control lever. The washers spray until you release the lever. The wipers run at low speed while you're pulling the lever, then complete one more sweep of the windshield after you release it.

### Hazard Warning

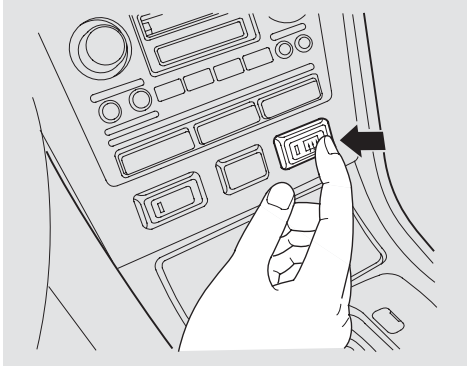


Push the red button to turn on the hazard warning lights (four-way flashers). This causes all four outside turn signals and both indicators in the instrument panel to flash. Use the hazard warning lights if you need to park in a dangerous area near heavy traffic, or if your car is disabled.

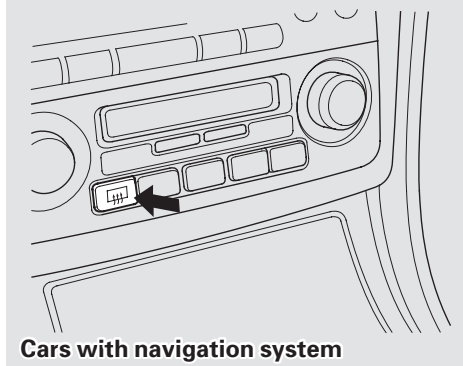


Cars with navigation system

## Rear Window Defogger



The rear window defogger will clear fog, frost, and thin ice from the window. Push the defogger button to turn it on and off. The light in the button lights to show the defogger is on. If you do not turn it off, the defogger will shut itself off after about 25 minutes. It also shuts off when you turn off the ignition. You have to turn it on again when you restart the car.



Make sure the rear window is clear and you have good visibility before starting to drive.

The defogger and antenna wires on the inside of the rear window can be accidentally damaged. When cleaning the glass, always wipe side to side.

## Steering Wheel Adjustments

See page 17 for important safety information about how to properly position the steering wheel.

Your Acura's steering wheel is electrically-adjustable for angle and distance. The adjustment switch is on the left side of the steering column. Always adjust the steering wheel before you begin driving.

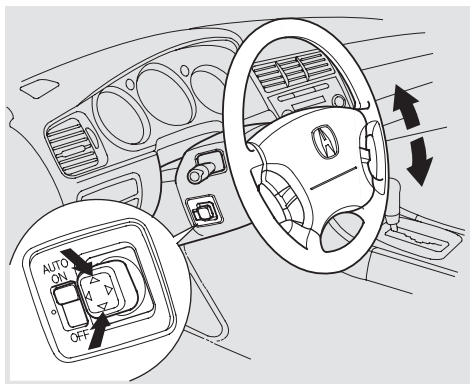
### **▲WARNING**

Adjusting the steering wheel position while driving may cause you to lose control of the car and be seriously injured in a crash.

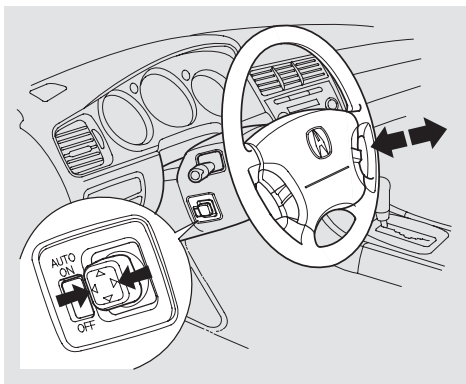
Adjust the steering wheel only when the car is stopped.

CONTINUED

## Controls Near the Steering Wheel

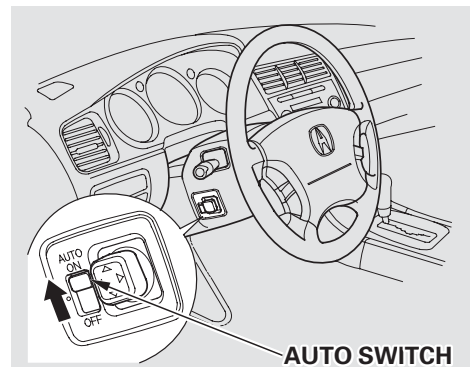


1. Locate the adjustment switch on the left side of the steering column. Move the steering wheel, in, out, up, or down by pushing and holding the adjustment switch in that direction.



2. Release the switch when the steering wheel reaches the desired position. Make sure the steering wheel points towards your chest, not toward your face, and that you can see the instrument panel gauges and warning lights.

### *Automatic Movement*



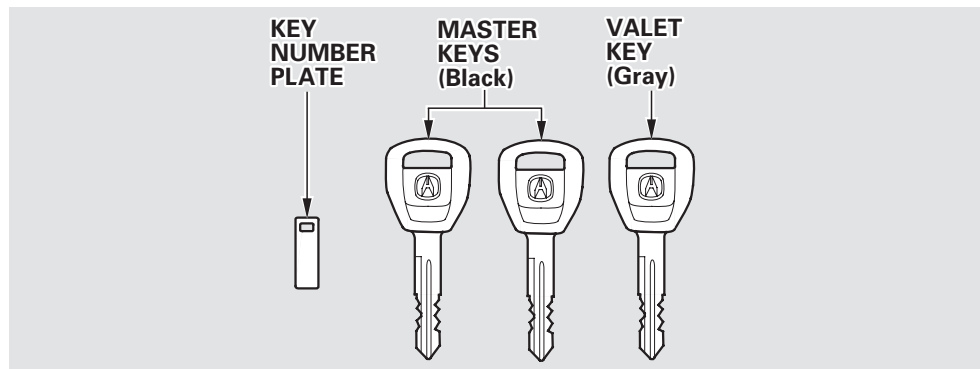
The AUTO switch controls automatic movement of the steering wheel. When this switch is in the ON position, the steering wheel automatically moves fully in and up when you remove the key from the ignition switch.

The steering wheel then returns to its original position when you insert the key back in the ignition switch.

Steering wheel movement is also controlled by the Driving Position Memory System (see page [93](#) ).

# Keys and Locks

## Keys



Your car comes with two master keys and a valet key. The master key fits all the locks on your car:

- Ignition
- Doors
- Trunk
- Trunk pass-through cover
- Glove box

The valet key works only in the ignition and the door locks. You can keep the trunk, trunk pass-through cover, and glove box locked when you leave your car and the valet key at a parking facility.

You should have received a key number plate with your keys. You will need this key number if you ever have to get a lost key replaced. Keep the plate stored in a safe place. If you

need to replace a key, use only an Acura-approved key blank.

These keys contain electronic circuits that are activated by the Immobilizer System. They will not work to start the engine if the circuits are damaged.

- Protect the keys from direct sunlight, high temperature, and high humidity.
- Do not drop the keys or set heavy objects on them.
- Keep the keys away from liquids. If they get wet, dry them immediately with a soft cloth.

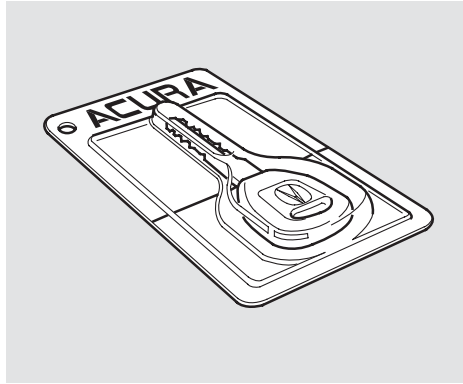
The keys do not contain batteries. Do not try to take them apart.

### **Remote Transmitter**

Your car also comes with two remote transmitters; see page 79 for an explanation of the operation.

### **Learning Key**

You should also receive a small case containing a learning key. It is used by the Acura dealer to code replacement keys to your car's Immobilizer System. It must not be used in your car's ignition switch. Store the learning key with the key number plate in a safe place.



If you attempt to use the learning key to start your car's engine, it may cause a malfunction in the system that makes your master and valet keys unusable. If this happens, you should contact your Acura dealer.

If you need a new key made, take the key number plate, the learning key, and all other keys that came with your car to your Acura dealer.

### **Immobilizer System**

The Immobilizer System protects your car from theft. A properly-coded master or valet key must be used in the ignition switch for the engine to start. If an improperly-coded key (or other device) is used, the engine's fuel system is disabled.

When you turn the ignition switch to ON (II), the Immobilizer System indicator should come on for a few seconds, then go out. If the indicator starts to blink, it means the system does not recognize the coding of the key. Turn the ignition switch to LOCK (0), remove the key, reinsert it, and turn the switch to ON (II) again.

*CONTINUED*

## Keys and Locks

---

The system may not recognize your key's coding if another immobilizer key or other metal object is near the ignition switch when you insert the key. To make sure the system recognizes the key code:

- Do not keep other immobilizer keys on the same key ring.
- Use a plastic or leather key fob, not metal.
- Keep other keys away from your vehicle's key and the ignition switch while trying to start the engine.

If the system repeatedly does not recognize the coding of your key, contact your Acura dealer.

The Immobilizer System indicator will also blink several times when you turn the ignition switch from ON (II) to ACCESSORY (I) or LOCK (0).

Do not attempt to alter this system or add other devices to it. Electrical problems could result that may make your car undriveable.

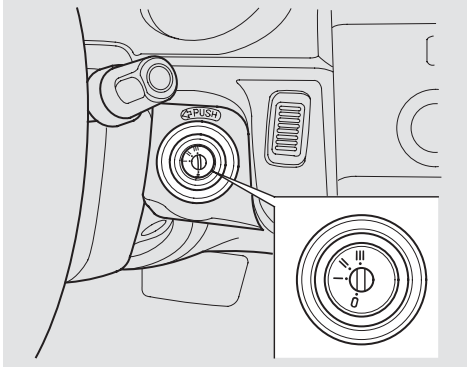
If you have lost your key and you cannot start the engine, contact your Acura dealer.

*As required by the FCC:  
This device complies with Part 15 of the FCC rules. Operation is subject to the following two conditions: (1) This device may not cause harmful interference, and (2) this device must accept any interference received, including interference that may cause undesired operation.*

*Changes or modifications not expressly approved by the party responsible for compliance could void the user's authority to operate the equipment.*

*This device complies with Industry Canada Standard RSS-210.  
Operation is subject to the following two conditions: (1) this device may not cause interference, and (2) this device must accept any interference that may cause undesired operation of the device.*

## Ignition Switch



The ignition switch is on the right side of the steering column. It has four positions:

- LOCK (0)
- ACCESSORY (I)
- ON (II)
- START (III)

**LOCK (0)** – You can insert or remove the key only in this position. To switch from ACCESSORY to LOCK, you must push the key in slightly as you turn it. The shift lever must also be in Park. The anti-theft lock will lock the steering column when you remove the key.

If the front wheels are turned, the anti-theft lock may sometimes make it difficult to turn the key from LOCK to ACCESSORY. Firmly turn the steering wheel to the left or to the right as you turn the key.

**ACCESSORY (I)** – In this position, you can operate the audio system and the cigarette lighter.

**ON (II)** – This is the normal key position when driving. All features and accessories on the car are usable. Several of the lights on the instrument panel come on as a test when you turn the ignition switch from

ACCESSORY to ON.

**START (III)** – Use this position only to start the engine. The switch returns to ON (II) when you let go of the key.

The engine will not start if the Immobilizer System does not recognize the key's coding (see page 69).

You will hear a reminder beeper if you leave the key LOCK (0) or ACCESSORY (I) position and open the driver's door. Remove the key to turn off the beeper.

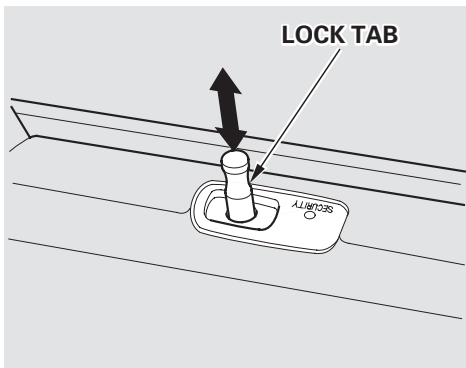


# Keys and Locks

## Power Door Locks



Each front door has a master door lock switch. Either switch locks and unlocks all doors. Push the switch down to lock all doors, and up to unlock them.



Each door has a lock tab at the top of the door. When you push down the lock tab on the driver's door, all doors lock. Pulling up the lock tab on the driver's door only unlocks that door. The lock tab on each passenger's door only locks and unlocks that door.

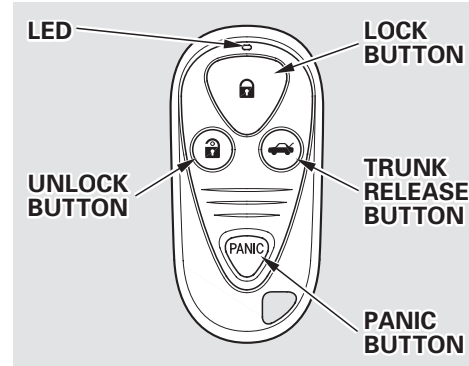
To lock any passenger's door when getting out of the car, push the lock tab down and close the door. To lock the driver's door, remove the key from the ignition switch and push the lock tab down or push the master switch down, then close the door.

All doors can be locked from the outside by using the key in either front door. To unlock only the driver's door from the outside, insert the key in the driver's door lock, turn the key and release it. If you turn the key and hold it, all doors will unlock. All four doors will unlock when you unlock the passenger's door with the key.

### ***Lockout Prevention***

If you forget and leave the key in the ignition switch, Lockout Prevention will not allow you to lock the driver's door. With the driver's door open and the key in the ignition, both master door lock switches are disabled. However, if the driver's door is not open, the master door lock switches are not disabled. Pushing the switch down on the open passenger's door will lock all doors. If you try to lock an open driver's door by pushing in the lock tab, the tabs on all doors pop out. Pushing in the lock tab on the passenger's door only locks that door.

### **Remote Transmitter**



You can lock and unlock your car with the remote transmitter. When you push the LOCK button, all doors lock. You will hear a beep, and the parking lights, taillights and license plate lights will flash once.

When you push the UNLOCK button once, only the driver's door unlocks. The remaining doors unlock when you push the button a second time. You will hear two beeps, and the outside lights will flash twice, each time you push the button.

The ceiling lights (if the ceiling light switch is in the center position) and the door courtesy lights will come on when you press the UNLOCK button. If you do not open any door, the lights stay on for about 10 seconds, then fade out. If you relock the doors with the remote transmitter before 10 seconds have elapsed, the lights will go off immediately.

*CONTINUED*

## Keys and Locks

---

If you unlock the doors with the remote transmitter, but do not open any of the doors within 30 seconds, the doors automatically relock and the security system sets.

You cannot lock any of the doors with the remote transmitter if any door is not fully closed or the key is in the ignition switch. You cannot unlock any of the doors with the key in the ignition switch.

To open the trunk, push the Trunk Release button for approximately one second.

You can open the trunk with the remote transmitter regardless of the position of the main switch in the glove box. The trunk will not open if the key is in the ignition switch.

### ***Turning the Beep Off and On***

You can program the keyless entry system so it does not beep when you lock and unlock the doors. This procedure only turns off the beep; the exterior lights will still flash.

To turn this feature off, stand near the car with the remote transmitter. Press and hold the Trunk Release button, then press the Lock button within one second. You should see the LED on the remote transmitter come on for one second. Release the buttons after the LED goes out.

To turn this feature on, repeat the above procedure. You should see the LED blink twice.

After you program the remote transmitter, make sure the trunk lid is closed.

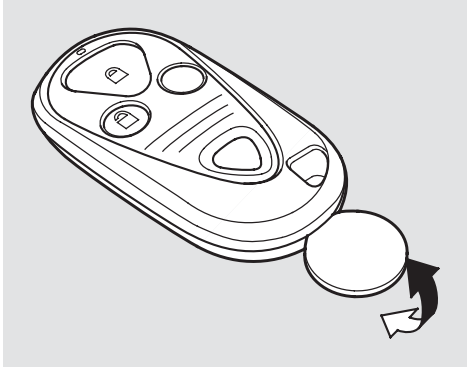
### ***Panic Mode***

Panic mode allows you to remotely activate your car's security system to attract attention. When activated, the horn will sound, and the exterior lights will flash, for about 30 seconds. To activate panic mode, press and hold the PANIC button for about two seconds.

To cancel Panic mode before 30 seconds, press any button on the remote transmitter. You can also turn the ignition switch to ON (II).

Panic mode will not activate if the ignition switch is in the ON (II) position.

### Replacing the Battery



When the remote transmitter's battery begins to get weak, it may take several pushes on the button to lock or unlock the doors and the tailgate, and the LED will get dim. Replace the battery as soon as possible.

Battery type: CR2025



To replace the battery, place a cloth on the edge of the transmitter and remove the upper half by carefully prying on the edge with a small flat-tip screwdriver.

Remove the old battery and note the polarity. Make sure the polarity of the new battery is the same (+ side facing up), then insert it in the transmitter.

Snap the two halves of the transmitter case back together.

*CONTINUED*

## Keys and Locks

### **Transmitter Care**

Avoid severe shock to the transmitter, such as dropping or throwing it. Also, protect it from extreme hot or cold temperatures.

Clean the transmitter case with a soft cloth. Do not use strong cleaners or solvents that could harm the case. Immersing the transmitter in any liquid will harm the transmitter and cause it to not function properly.

If you lose a transmitter, you will need to have the replacement programmed to your car's system by your Acura dealer. Any other transmitters you have will also need to be reprogrammed.

*As required by the FCC:*

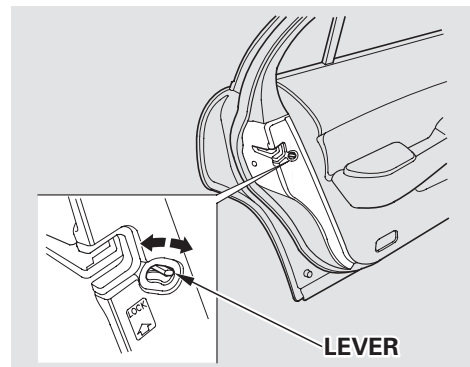
*This device complies with Part 15 of the FCC rules. Operation is subject to the following two conditions: (1) This device may not cause harmful interference, and (2) this device must accept any interference received, including interference that may cause undesired operation.*

*Changes or modifications not expressly approved by the party responsible for compliance could void the user's authority to operate the equipment.*

*This device complies with Industry Canada Standard RSS-210.*

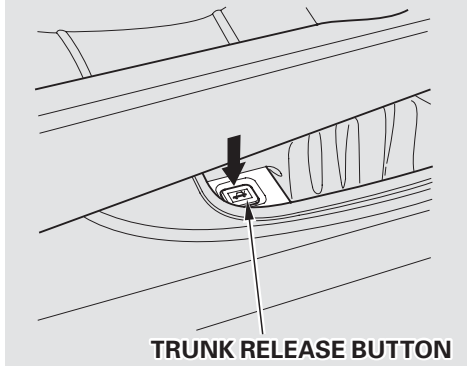
*Operation is subject to the following two conditions: (1) this device may not cause interference, and (2) this device must accept any interference that may cause undesired operation of the device.*

### **Childproof Door Locks**



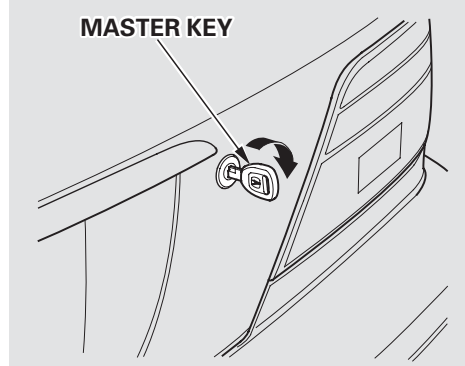
The childproof door locks are designed to prevent children seated in the rear from accidentally opening the rear doors. Each rear door has a lock lever near the edge. With the lever in the LOCK position, the door cannot be opened from the inside regardless of the position of the lock tab. To open the door, pull the lock tab up and use the outside door handle.

## Trunk



You can open the trunk in three ways:

- Press the trunk release button on the driver's door.
- Use the master key to open the trunk lock. The valet key does not work in this lock.
- Press and hold the trunk release button on the remote transmitter for approximately one second (see page 79 ).



To close the trunk, press down on the trunk lid.

See page 186 for cargo loading and weight limit information. Keep the trunk lid closed at all times while driving to avoid damaging the lid, and to prevent exhaust gas from getting into the interior. See **Carbon Monoxide Hazard** on page 49 .



To protect items in the trunk when you need to give the key to someone else:

1. Disable the trunk release button on the driver's door by turning off the trunk main switch in the glove box.

*CONTINUED*

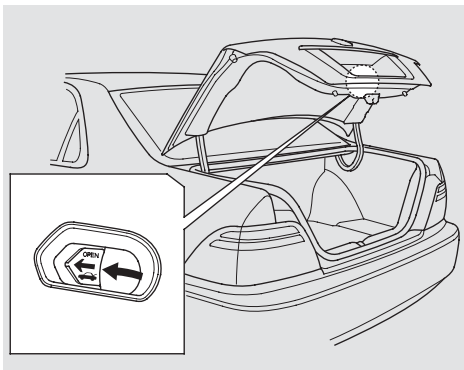
## Keys and Locks

---

2. Lock the glove box with the master key.
3. Make sure the trunk pass-through cover is locked (see page [90](#) ).
4. Give the person the valet key.

Even if the trunk main switch is turned off, you can open the trunk with the master key or the remote transmitter.

### Emergency Trunk Opener (U.S. models only)



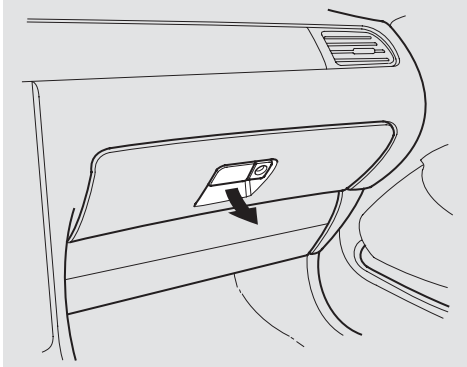
As a safety feature, your car has a release lever on the trunk latch so the trunk can be opened from the inside.

To open the trunk, push the release lever to the left.

Parents should decide if their children should be shown how to use this feature.

For more information about child safety, see page [24](#) .

### Glove Box



Open the glove box by pulling the bottom of the handle. Close it with a firm push. Lock or unlock the glove box with the master key.

The glove box light comes on only when the parking lights are on.

### **▲WARNING**

An open glove box can cause serious injury to your passenger in a crash, even if the passenger is wearing the seat belt.

Always keep the glove box closed while driving.



## Seat Adjustments

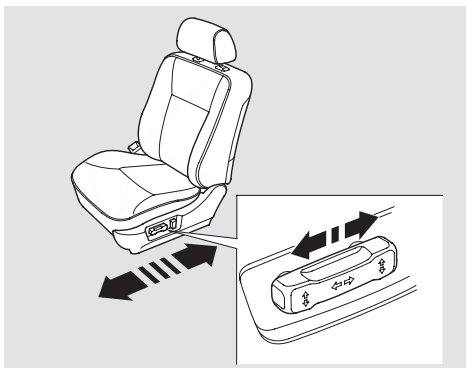
See pages 12 – 14 for important safety information and warnings about how to properly position seats and seat-backs.

Make all seat adjustments before you start driving.

Your Acura has power adjustments for both front seats. The two power seat adjustment switches are on the outside edge of the seat bottom.

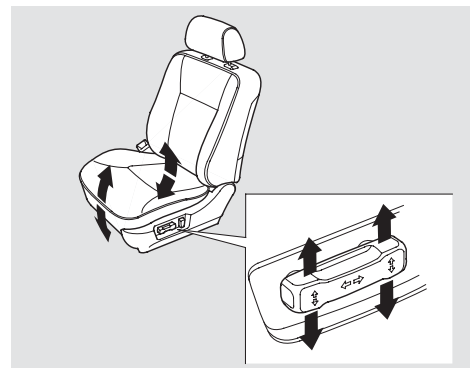
You can adjust the power seats with the ignition switch in any position.

### Driver's Seat Adjustments

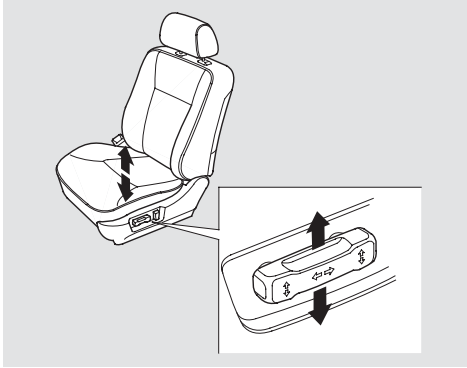


The long horizontal switch adjusts the seat bottom in several directions. The short vertical switch adjusts the seat-back angle.

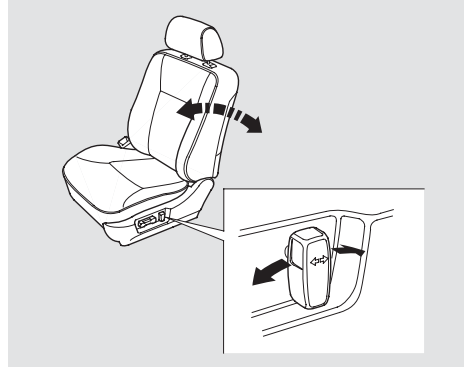
Push the horizontal switch forward or backward to move the seat forward or backward.



Pull up or push down on the front of the switch to move the seat bottom's front edge up or down. Pull up or push down on the rear of the switch to move the rear of the seat bottom up or down.



Pull the center of the horizontal switch up to raise the seat. Push it down to lower the seat.



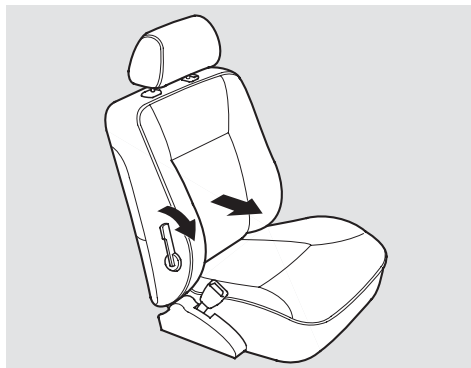
Adjust the seat-back angle by pushing the rear switch in the direction you want to move.

The driver's seat includes a memory feature. Two seat positions can be stored in separate memories. You can then select a memorized position by pushing the appropriate memory button. Refer to page [93](#) for how to memorize and select the seat positions.

## Seat Adjustments

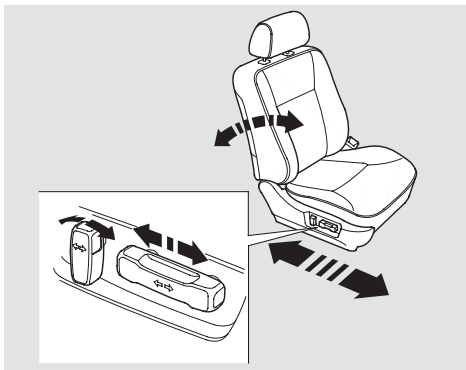
---

### Driver's Lumbar Support



Vary the lumbar support by moving the lever on the right side of the seat-back. Pivot the lever forward until it stops, then let it return. Doing this several times adjusts the lumbar support through its full range.

### Front Passenger's Seat Adjustments

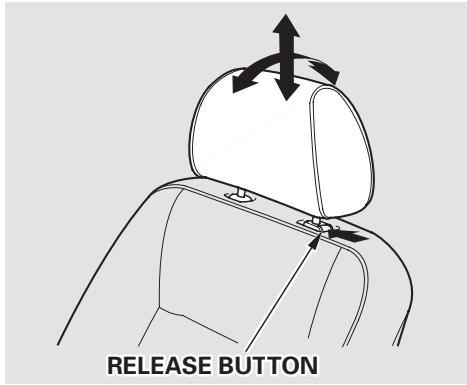


The seat adjustment switches are on the outside edge of the seat bottom. Push the long horizontal switch forward or backward to move the seat bottom in that direction. Adjust the seat-back angle by pushing the vertical switch in the direction you want to move.

### Head Restraints

See page 14 for important safety information and a warning about how to properly position the head restraints.

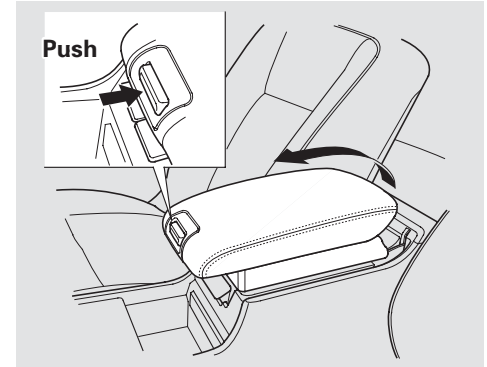
The head restraints help protect you and your passengers from whiplash and other injuries. They are most effective when you adjust them so the back of the occupant's head rests against the center of the restraint. A taller person should adjust the restraint as high as possible.



The head restraints adjust for height and tilt. You need both hands to adjust the restraint. Do not attempt to adjust it while driving. To raise it, pull upward. To lower the restraint, push the release button sideways and push the restraint down. To adjust the tilt, pivot the head restraint to the desired position.

To remove a head restraint for cleaning or repair, pull it up as far as it will go. Push the release button and pull the restraint out of the seat-back.

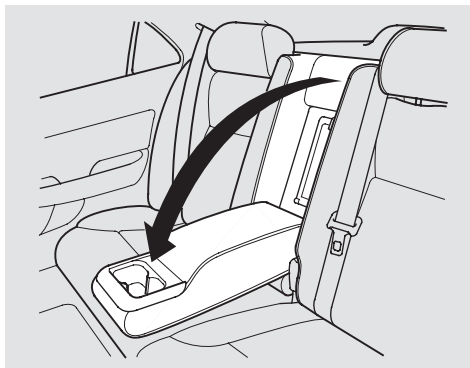
### Armrest



The lid of the console compartment can be used as an armrest at the high or low position. To raise the armrest, push the button on the lid. Make sure the armrest is securely latched. To lower it, press the button and push the armrest down until it latches.

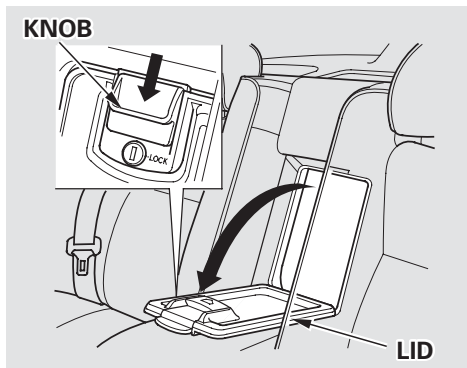
Make sure the passengers' hands or fingers are away from the armrest before pushing it down.

## Armrest



The rear seat armrest is located at the center of the rear seat. Pivot it down to use it.

### Trunk Pass-through Cover



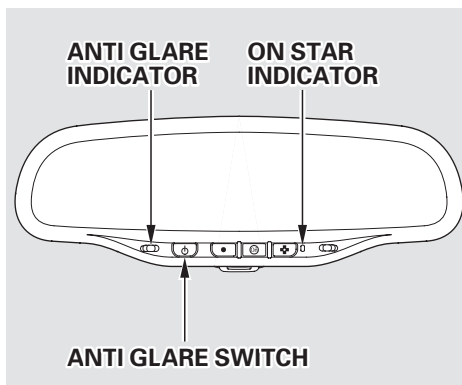
The pass-through cover can be opened from either side; it folds forward onto the center armrest. Open the cover by sliding the knob downward and pushing or pulling on the cover. To close the cover, swing it up and push firmly on the top. Make sure it latches properly.

Make sure all items in the trunk and those extending through the pass-through are secured.

For security, this cover can be locked and unlocked only with the master key. To lock the cover, insert the key and turn it clockwise.

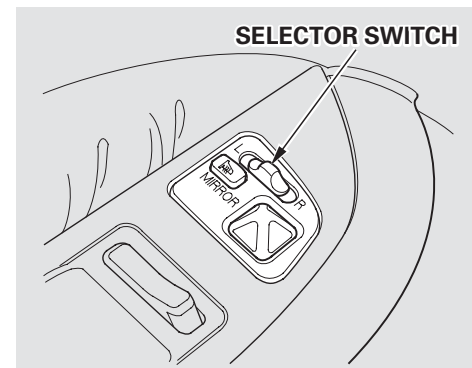
Never drive with this cover open and the trunk lid open. See **Carbon Monoxide Hazard** on page 49 .

Keep the inside and outside mirrors clean and adjusted for best visibility. Be sure to adjust the mirrors before you start driving.



The inside mirror has an automatic anti-glare mechanism. When the AUTO switch is pushed in, the indicator will light. When the mirror senses light from the headlights of the car behind you, the mirror surface will automatically darken to reduce the glare.

## Adjusting the Power Mirrors

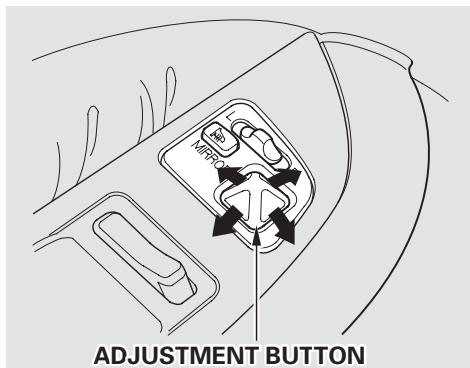


Adjust the outside mirrors with the adjustment button on the driver's door armrest:

1. Turn the ignition switch ON (II).
2. Move the selector switch to L (driver's side) or R (passenger's side).

*CONTINUED*

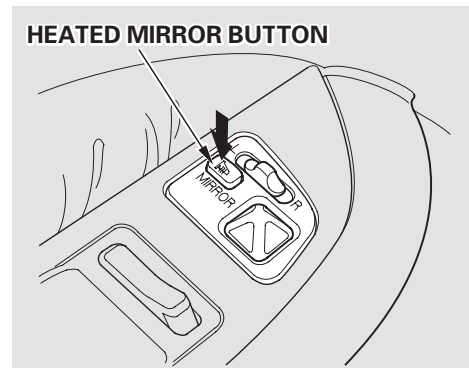
## Mirrors



3. Move the mirror right, left, up or down by pushing the adjustment button in that direction.

4. When you finish, move the selector switch to the center (off) position. This turns off the adjustment button so you can't move a mirror out of position by accidentally bumping the button.

Outside mirror positions can be stored in the driving position memory system (see page [93](#) ).



The outside mirrors are heated to remove fog and frost. With the ignition switch ON (II), turn on the heaters by pressing the button. The light in the button comes on as a reminder. Press the button again to turn the heaters off.

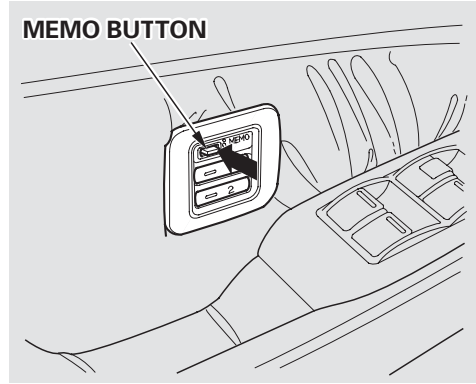
Your Acura has a memory feature for the steering wheel, driver's seat, and outside mirror positions.

Two seat, steering wheel, and outside mirror positions for different drivers or driving conditions can be stored in separate memories. You select a memorized position by pushing the appropriate button.

### ***Storing a Driving Position in Memory***

Store a driving position as explained in this section only when the car is parked.

1. Turn the ignition switch ON (II). You cannot add a new driving position in the memory unless the ignition switch is ON (II). You can recall a memorized position with the ignition switch in any position.
2. Adjust the seat to a comfortable position (see page 86 ). Adjust the steering wheel to a comfortable position (see page 71 ). Adjust the outside mirrors for best visibility (see page 91 ).



3. Press and release the MEMO button on the control panel. You will hear a beep. Immediately press and hold one of the memory buttons (1 or 2) until you hear two beeps. The indicator light in the memory button will come on. The current positions of the driver's seat, steering wheel, and outside mirrors are now stored.

*CONTINUED*



## Driving Position Memory System

---

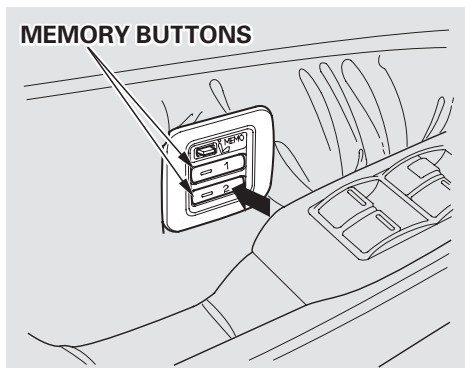
Doing any of the following after pressing the MEMO button will cancel the storing procedure.

- Not pressing a memory button within 5 seconds.
- Readjusting the seat or steering position.
- Readjusting the outside mirror position.

Each memory button stores only one driving position. Storing a new position erases the previous setting stored in that button's memory. If you want to add a new position while retaining the current one, use the other memory button.

All stored driving positions will be lost if your car's battery goes dead or is disconnected.

### *Selecting a Memorized Position*



You can select memorized positions as follows.

1. Make sure the parking brake is set and the shift lever is in Park.
2. Insert the key in the ignition switch. If you do not insert the key in the ignition switch, the steering wheel will not adjust to the memorized position until you do.

3. Press the desired memory button (1 or 2) until you hear a beep, then release the button.

The system will move the seat, steering wheel and outside mirrors to the memorized positions. The indicator light in the selected memory button will flash during movement. When the adjustments are complete, you will hear two beeps and the indicator light will remain on.

# Driving Position Memory System, Seat Heaters

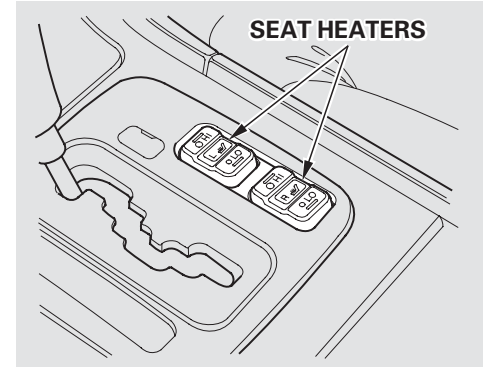
To stop the system's automatic adjustment;

- Press any button on the control panel: MEMO, 1 or 2.
- Push any of the adjustment switches for the seat or steering wheel.
- Shift out of Park.
- Adjust the outside mirrors.

If you select a memorized position without inserting the key in the ignition switch, only the seat and outside mirrors will adjust. To get the system to also adjust the steering wheel, insert the key in the ignition switch. You will hear two beeps when it is complete.

If desired, you can use the adjustment switches to change the positions of the seat, steering wheel or outside mirrors after they are in their memorized position. To keep this driving position for later use, you must store it in the driving position memory.

## Seat Heaters



Both front seats are equipped with seat heaters. The ignition switch must be ON (II) to use them. Push the front of the switch, HI, to rapidly heat up the seat. After the seat reaches a comfortable temperature, select LO by pushing the back of the switch. This will keep the seat warm.

*CONTINUED*

## Seat Heaters, Ski Sleeve

The HI or LO indicator lights and remains lit until you turn it off by pushing the opposite side of the switch lightly. The indicator will turn off.

In HI, the heater turns off when the seat gets warm, and turns back on after the seat's temperature drops. It continues to cycle as long as you leave it set on HI. The HI indicator remains lit as a reminder that you have the heater on.

In LO, the heater runs continuously. It does not cycle with temperature changes.

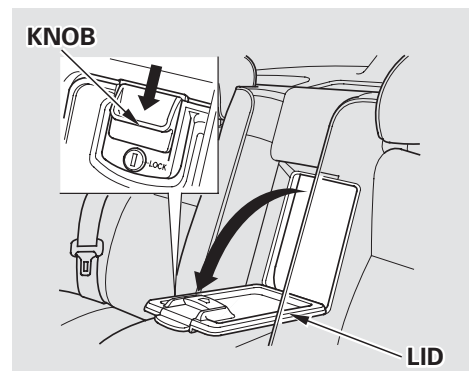
Because of the sensors for the side airbag system, there is no heater in the passenger's seat-back.

Follow these precautions whenever you use the seat heaters:

- Use the HI setting only to heat the seats quickly. Select the LO setting when the seats feel warm. The HI setting draws large amounts of current from the battery.
- Do not use the seat heaters, even on the LO setting, if the engine is left idling for an extended period. They can weaken the battery, causing hard starting.

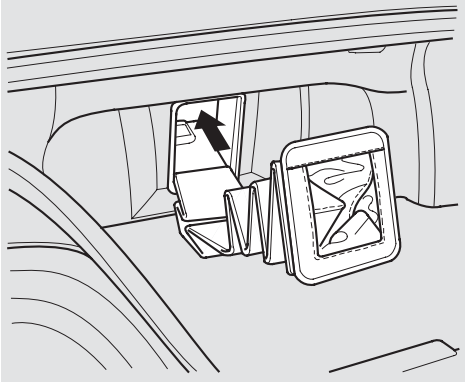
### Ski Sleeve

The ski sleeve allows you to carry skis or other long objects safely without soiling or damaging the interior of your car. It attaches to the trunk pass-through.

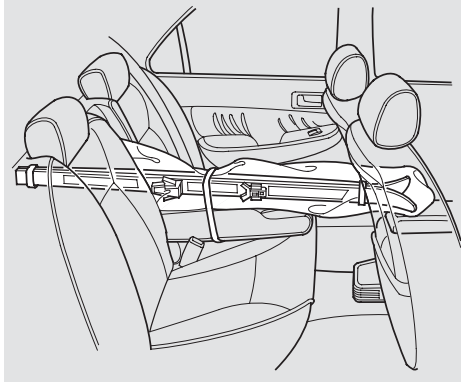


To use the ski sleeve:

1. Pull down the rear seat armrest. Open the trunk pass-through cover by sliding the knob downward and pulling on the cover.



2. Open the trunk. Remove the ski sleeve from its storage bag.
3. Attach the ski sleeve to the trunk pass-through.
4. Load the skis into the ski sleeve from the trunk. Make sure the tip of the ski sleeve is resting on the center console.



5. Use the strap on the ski sleeve to secure it tightly to the rear seat armrest.

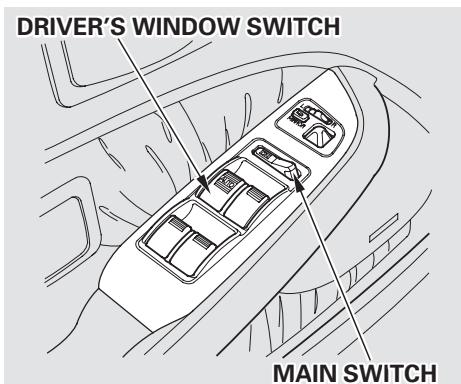
Follow these precautions when you use the ski sleeve:

- Do not transport skis that are longer or heavier than these limits:  
Maximum length: 84 in (215 cm)  
Maximum weight: 55 lbs (25 kg)
- After use, make sure the ski sleeve is dry both inside and out before folding it up for storage. This will help to prevent mildew.

## Power Windows

Your car's windows are electrically-powered. Turn the ignition switch to ON (II) to raise or lower any window.

Each door has a switch that controls its window. To open the window, push the switch down and hold it. Release the switch when you want the window to stop. Close the window by pulling back on the switch and holding it.



The driver's door armrest has a master power window control panel. To open any of the passengers' windows, push down on the appropriate switch and hold it until the window reaches the desired position. To close the window, pull back on the window switch. Release the switch when the window gets to the position you want.

### **⚠ WARNING**

Closing a power window on someone's hands or fingers can cause serious injury.

Make sure your passengers are away from the windows before closing them.

The master control panel also contains these extra features:

**AUTO** — To open the driver's window fully, push the window switch firmly down, then release it. The window automatically goes down all the way. To stop the window from going all the way down, pull back on the window switch briefly.

To close the driver's window fully, pull back the window switch firmly, then release it. The window automatically goes all the way up. To stop the window from going all the way up, push down on the window switch briefly.

To open or close the driver's window partially, push down or pull back on the window switch lightly and hold it. The window will stop when you release the switch.

The MAIN switch controls power to the passenger's window. With this switch off, the passenger's window cannot be raised or lowered. The MAIN switch does not affect the driver's window. Keep the MAIN switch off when you have children in the car so they do not injure themselves by operating the window unintentionally. The lights inside the switches come on when you turn the parking lights or headlights on.

### ***Auto Reverse***

If the driver's window runs into any obstacle while it is closing automatically, it will stop, and then reverse direction. To close the window, remove the obstacle, then use the window switch again.

Auto reverse stops sensing when the window is almost closed. You should always check that all passengers and objects are away from the window before closing it.

*CONTINUED*

## Power Windows, Moonroof

---

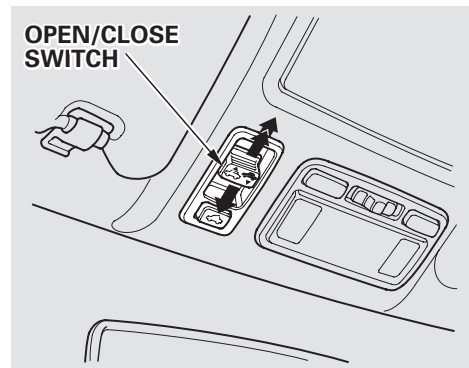
If your car's battery is disconnected or goes dead, or the driver's window fuse is removed, the AUTO function will be disabled. The power window system needs to be reset after reconnecting the battery or installing the fuse. You should do the following.

1. Start the engine. Push down on the driver's window switch until the window is fully open.
2. Pull back on the driver's window switch to close the window completely then hold the switch for a further second or two more.

If the power windows do not operate properly after resetting, have your car checked by an Acura dealer.

The power window system has a key-off delay function. The windows will still operate for up to ten minutes after you turn off the ignition. Opening either front door cancels the delay function. You must turn the ignition switch ON (II) again before you can raise or lower the windows.

### Moonroof

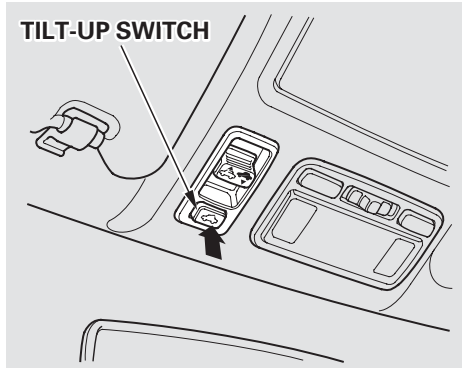


There are two switches on the ceiling near the front ceiling light. The ignition switch must be ON (II).

To open the moonroof, pull the OPEN/CLOSE switch backward and hold it until the moonroof reaches the desired position.

To close the moonroof, push the OPEN/CLOSE switch forward and hold it. The moonroof will not close completely; it will stop about 5.1 inches (130 mm) away from being closed. Make sure your passengers are clear of the moonroof, then release the switch and push it forward again to close the moonroof completely.

The moonroof has an AUTO function. To open the moonroof fully, pull the OPEN/CLOSE switch backward firmly until it clicks, then release it. The moonroof opens automatically all the way. To stop the moonroof from opening all the way, push the switch forward briefly. To open the moonroof partially, pull the OPEN/CLOSE switch backward lightly and hold it until the moonroof reaches the desired position. The AUTO function only works to open the moonroof.



When you push and hold the TILT-UP switch, the rear of the moonroof will tilt up. To close it, push the OPEN/CLOSE switch forward. If you pull the switch backward and hold it, the moonroof will tilt down and then open. The AUTO function cannot work with the moonroof in the tilt up position.

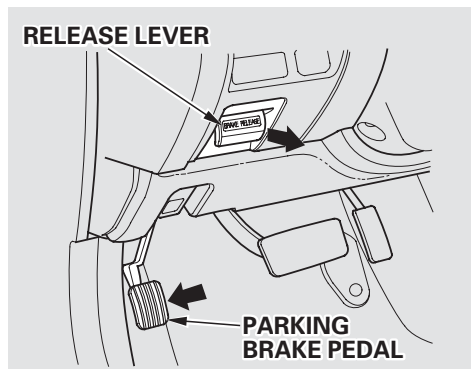
## NOTICE

*If you try to open the moonroof in below-freezing temperatures, or when it is covered with snow or ice, you can damage the moonroof panel or motor.*



## Parking Brake, Digital Clock

### Parking Brake



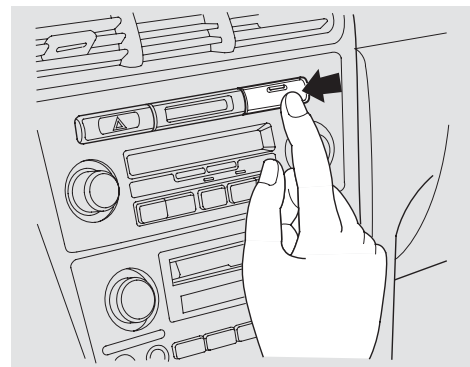
To apply the parking brake, depress the pedal fully. To release it, pull the release lever. The parking brake light on the instrument panel should go out when the parking brake is fully released with the engine running (see page 54 ). If you try to drive the car without releasing the parking brake, the ABS indicator may come on, and the ABS may not work properly. The VSA system indicator will also come on along

with the ABS indicator (see page 199 ).

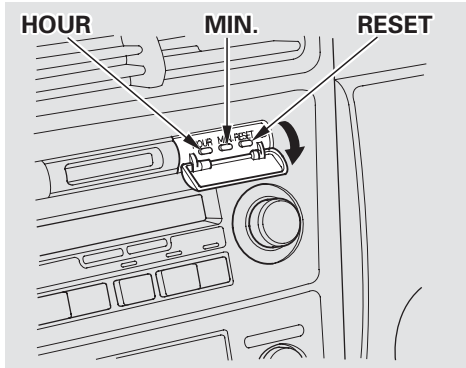
### NOTICE

*Driving the car with the parking brake applied can damage the rear brakes and axles.*

### Digital Clock



*3.5 RL without Navigation System*  
The digital clock displays the time with the ignition switch ON (II). To see the time with the ignition off, press and hold the wide button to the right of the clock.



To set the clock:

1. Turn the ignition switch ON (II) to display the time.
2. Swing down the front cover of the wide button to the right of the clock display. You will see HOUR, MIN., and RESET buttons.

3. Press and hold the HOUR button until the hour advances to the desired hour.
4. Press and hold the MIN. button until the numbers advance to the desired time.

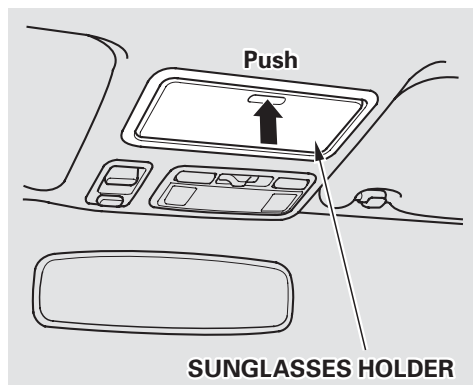
You can use the RESET button to quickly set the time to the nearest hour. If the displayed time is before the half hour, pressing the RESET button sets the clock back to the previous hour. If the displayed time is after the half hour, pressing the RESET button sets the clock forward to the beginning of the next hour.

For example:

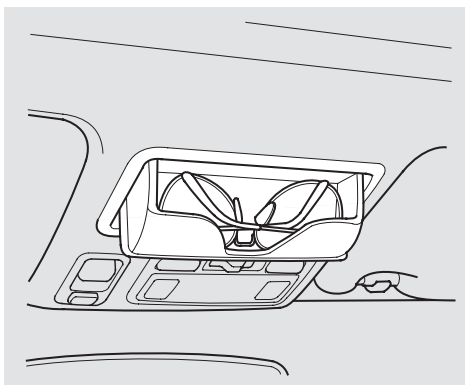
- 1:06 would RESET to 1:00.
- 1:52 would RESET to 2:00.

## Sunglasses Holder

---



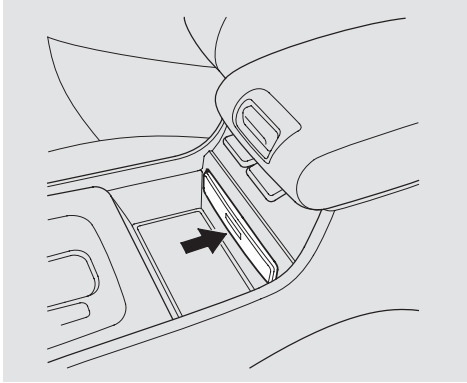
To open the sunglasses holder, push on the front edge. It will unlatch and swing down. To close it, push it until it latches. Make sure the holder is closed while you are driving.



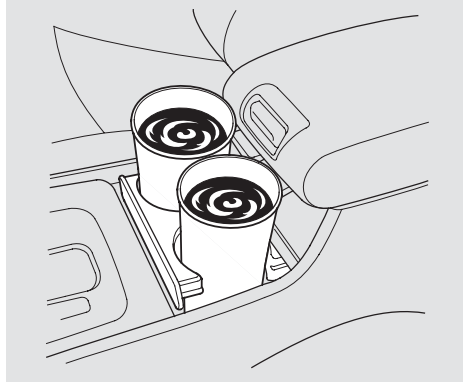
Some larger styles of sunglasses may not fit in the holder.

You may also store small items in this holder. Make sure they are small enough to let the holder close and latch, and that they are not heavy enough to cause the holder to pop open while driving.

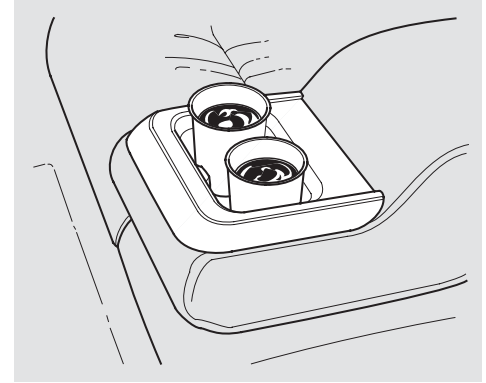
## Beverage Holder



To use the front beverage holder, push on the lid. The beverage holder will pop out. To close it, push it until it latches.



Be careful when you are using the beverage holder. A spilled liquid that is very hot can scald you or your passengers. Spilled liquids can also damage the upholstery, carpeting, and electrical components in the interior.

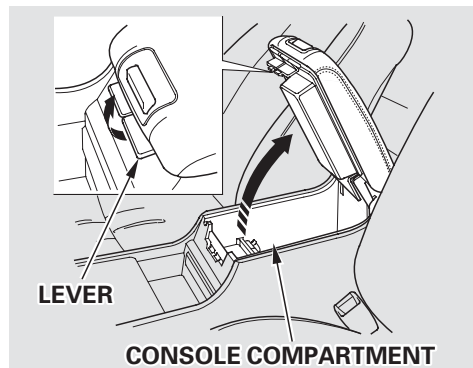


The rear seat also has a beverage holder in the center armrest. To use it, pivot the armrest down.

## Console Compartment, Coin Box

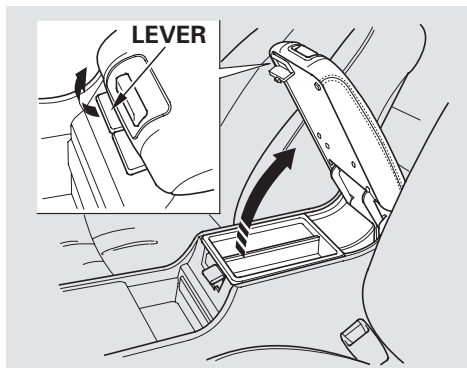
---

### Console Compartment



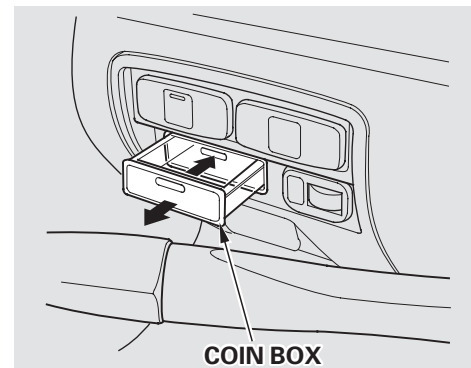
To open the console compartment, pull the left lever and lift the lid.

To close, lower the lid and push it down until it latches.



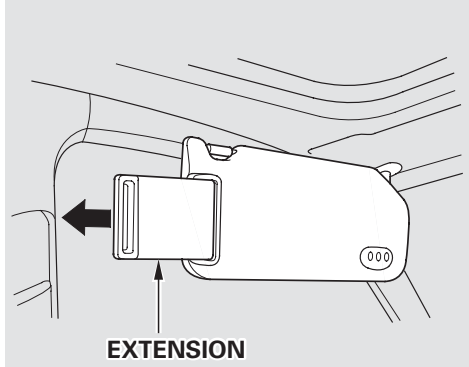
You can put small items in the tray located in the console compartment lid. To use the tray, pull the right lever and lift up the armrest pad.

### Coin Box



The coin box is located under the air vent. To open the coin box, push on the front. To close it, push it in until it clicks.

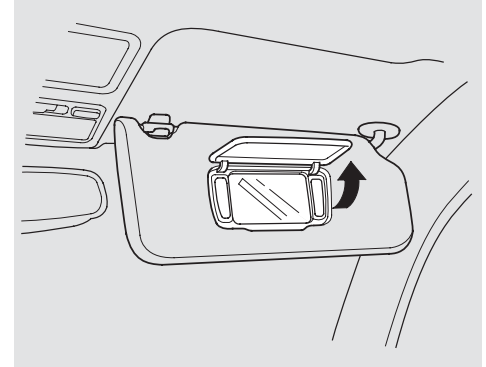
### Sun Visor



To use the sun visor, pull it down. You can also use the sun visor at the side window. Remove the support rod from the clip and swing the sun visor toward the side window. In this position, the sun visor can be extended by sliding out the extension.

Make sure you put the sun visor back in place when you are getting into or out of the car. Do not use the sun visor extension over the rear view mirror.

### Vanity Mirror

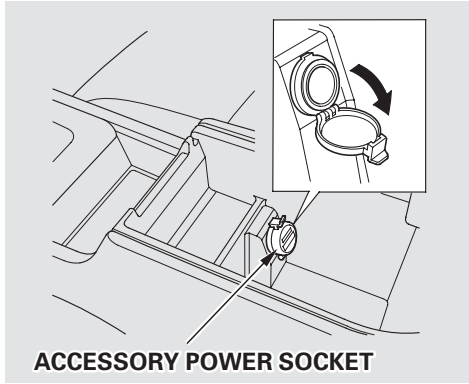


To use a vanity mirror on the back of the sun visor, pull up the cover.

The light beside the mirror comes on when you pull up the cover.

## Accessory Power Socket

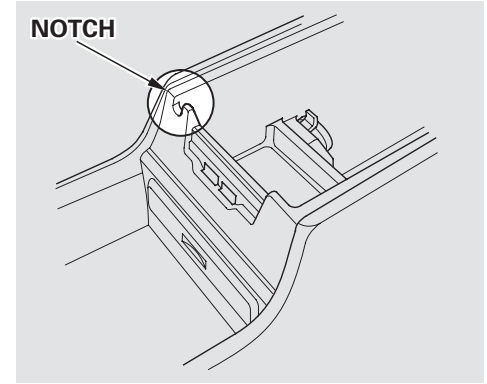
---



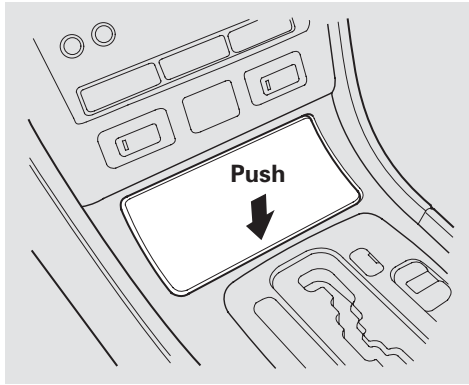
To use the accessory power socket, pull down on the cover. The ignition switch must be in ACCESSORY (I) or ON (II).

This socket is intended to supply power for 12 volt DC accessories that are rated 120 watts or less (10 amps).

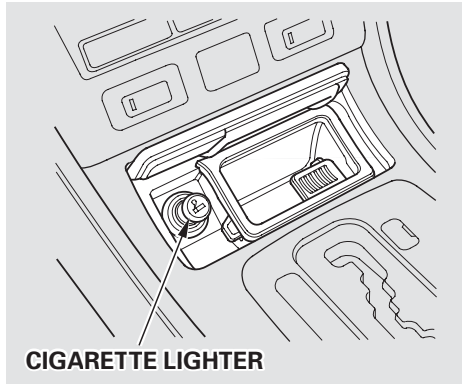
It will not power an automotive type cigarette lighter element.



Route the wire through the notch in the edge of the console compartment.



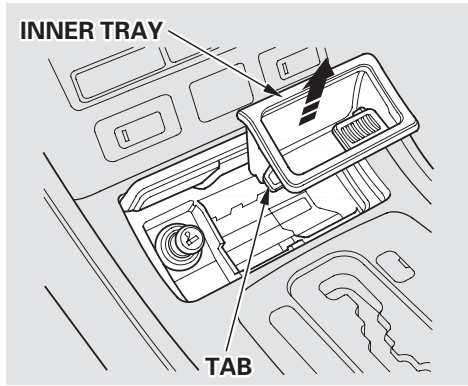
The cigarette lighter is next to the front ashtray under the ashtray lid. Open the lid by pushing on it.



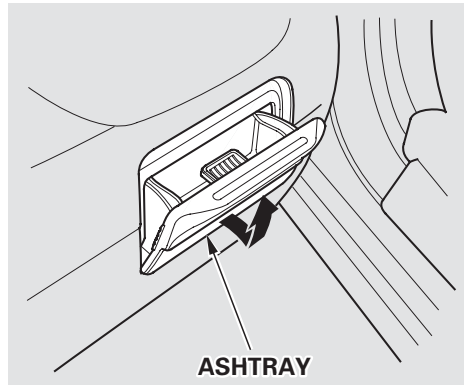
The ignition switch must be in ACCESSORY (I) or ON (II) for the cigarette lighter to work. To heat up the lighter, push it in. It will pop out when it is ready for use. Do not hold the lighter in while it is heating up, you could cause it to overheat.



# Ashtrays



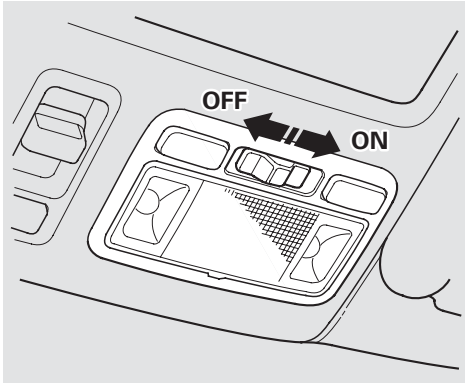
Open the front ashtray by pushing on the lid. To close the ashtray, push it in until it clicks shut. To remove it for emptying, grasp the tab on the left side of the inner tray and lift it up and out.



The rear ashtrays are in the front lower corner of each door. Open the ashtray by swinging the upper edge of the lid down. To remove the ashtray for emptying, open it, then lift up and out.

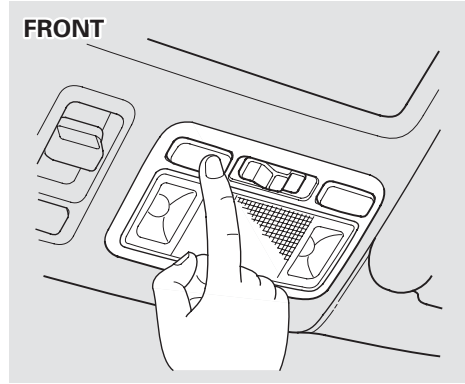
## NOTICE

*Use the ashtray only for cigarettes, cigars, and other smoking materials. To prevent a possible fire and damage to your car, don't put paper or other things that can burn in the ashtray.*



Both front and rear ceiling lights contain a main light as well as two spotlights.

The front ceiling light has a three-position switch. With the switch in the OFF position (far left), the main lights do not come on. In the center position, the main lights come on when you open any door. After all doors are closed tightly, they dim slightly then fade out in about 10 seconds. In the ON position (far



right), the main lights stay on continuously.

Turn on the spotlights in the front and rear ceiling lights by pushing the grey button next to each light. Push the button again to turn it off. You can use the front spotlights at all times. The rear spotlights only light when the parking lights or headlights are on.

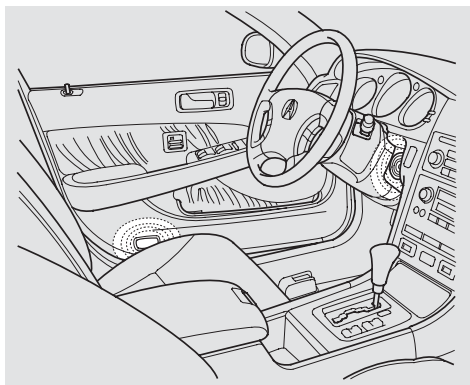


*U.S. models only*

With the light switch in the AUTO position, you can use the rear spotlights only when the headlights turn on automatically.

## Courtesy Lights

---



In addition to the ceiling lights, your Acura has courtesy lights in each door and the ignition switch.

The door courtesy lights come on whenever you open any door. After all doors are closed tightly, they dim slightly then fade out in about 10 seconds.

Even if the door is open, the lights will turn off after three minutes when the key is not in the ignition switch or the ignition switch is in the LOCK (0) or ACCESSORY (I) position, and the light switch is in the off position.

The door courtesy lights and ceiling lights (with the switch in the center position) come on when you unlock the door with the key, lock tab on the driver's door, master door lock switch, or remote transmitter (see page 79 ). If you relock the driver's door or close the driver's door with the key in the ignition switch, the lights turn off immediately. Otherwise, they remain on, then fade out in about 10 seconds.

The door courtesy lights and ceiling lights (with the switch in the center position) also come on when you remove the key from the ignition switch. If you do not open a door, they stay on, then fade out in about 10 seconds.

The courtesy light in the ignition switch comes on when you open the driver's door. It remains on about 10 seconds after the door is closed.

## Comfort and Convenience Features

Climate Control System.....	114	Radio Reception.....	143
<i>3.5 RL without Navigation System</i>		Operating the Cassette	
Fully-automatic Operation.....	116	Player .....	145
Semi-automatic Operation.....	117	Tape Search Functions.....	145
<i>3.5 RL with Navigation System</i>		Caring for the Cassette	
Fully-automatic Operation.....	121	Player .....	148
Semi-automatic Operation.....	122	Operating the CD Changer.....	149
Rear Ventilation.....	126	Loading the CD Changer.....	151
Sunlight Sensor/		Protecting Compact Discs.....	153
Temperature Sensor .....	127	CD Changer Error	
Audio System .....	128	Indications .....	154
AM/FM/Cassette Stereo		Remote Audio Controls .....	155
Audio System .....	128	Theft Protection .....	156
<i>3.5 RL without Navigation System</i>		Security System .....	157
Operating the Radio .....	129	Cruise Control.....	158
Adjusting the Sound.....	132	HomeLink Universal	
Audio System Lighting .....	133	Transceiver .....	162
Operating the Cassette		Customer Assistance .....	162
Player .....	133	Important Safety Precautions ..	162
Tape Search Functions .....	134	Training HomeLink.....	163
Operating the CD Changer.....	136	Training with a Rolling Code	
<i>3.5 RL with Navigation System</i>		System.....	164
Operating the Radio .....	139	Erasing Codes.....	166
Adjusting the Sound.....	142	OnStar .....	167
Audio System Lighting .....	143		
Radio Frequencies.....	143		

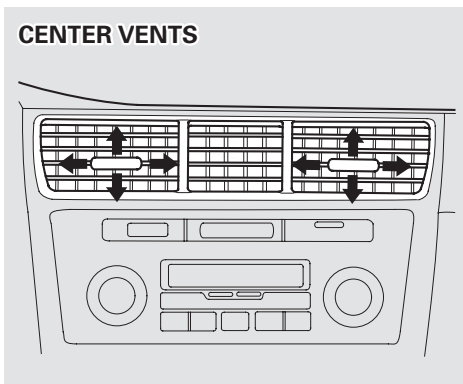
## Climate Control System

The automatic climate control system in your Acura picks the proper combination of air conditioning, heating, and ventilation to maintain the interior temperature you select. The system also adjusts the fan speed and air flow levels.

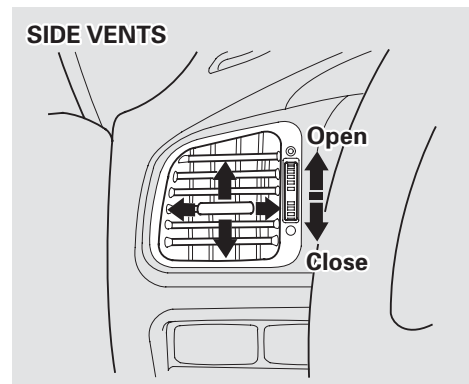
The direction of air flow from the vents in the center and each side of the dashboard is adjustable. Move the tab in the center of each vent up-and-down and side-to-side.

The side vents can be opened and closed with the dials next to them.

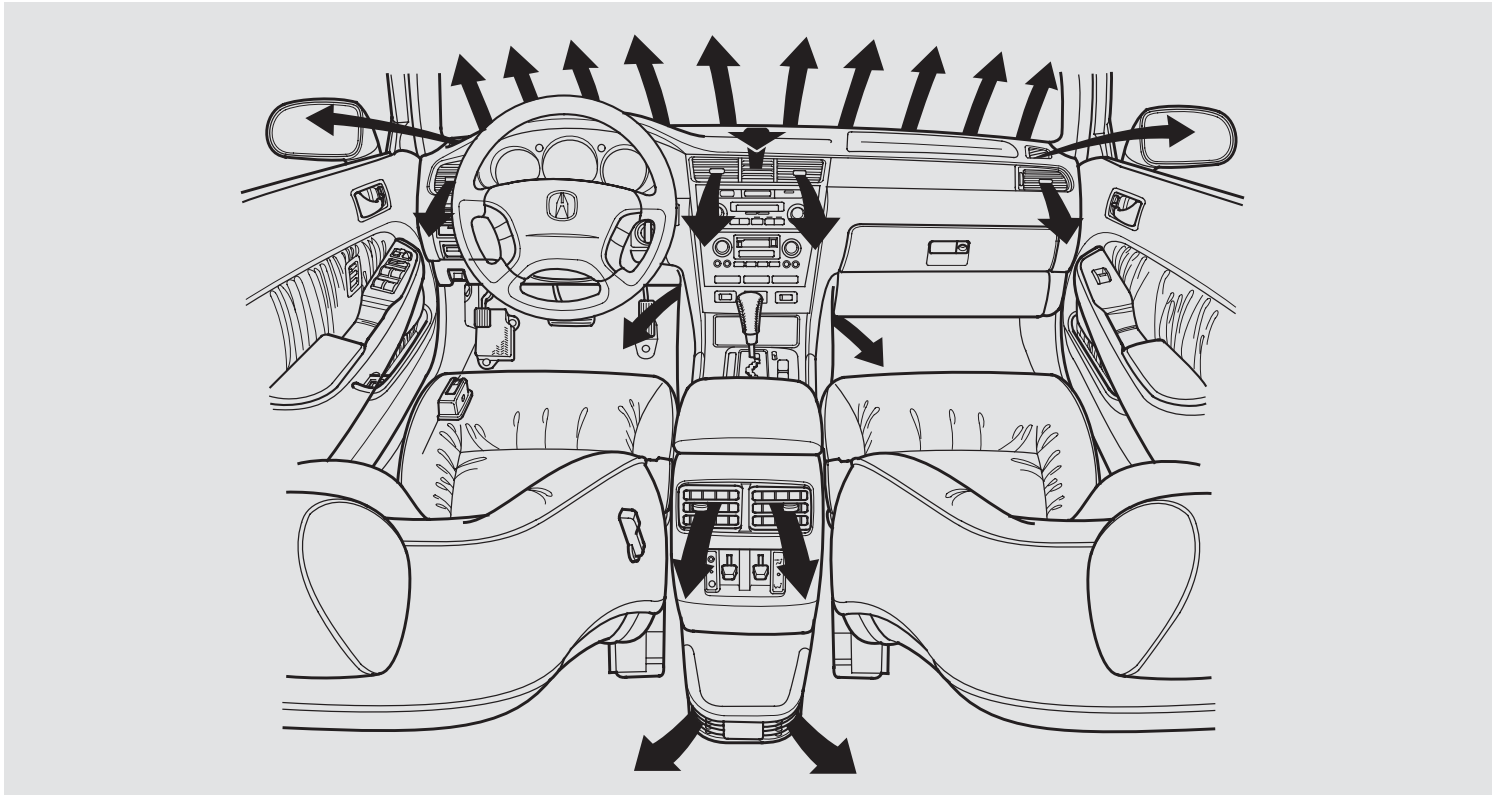
In the rear seat, you can also adjust the ventilation when the climate control system is on (see page [126](#) ).



The climate control system draws air through the exterior vents at the bottom of the windshield. Keep these vents clear of leaves and other debris.





For the climate control system to provide heating and cooling, the engine must be running.



## Climate Control System

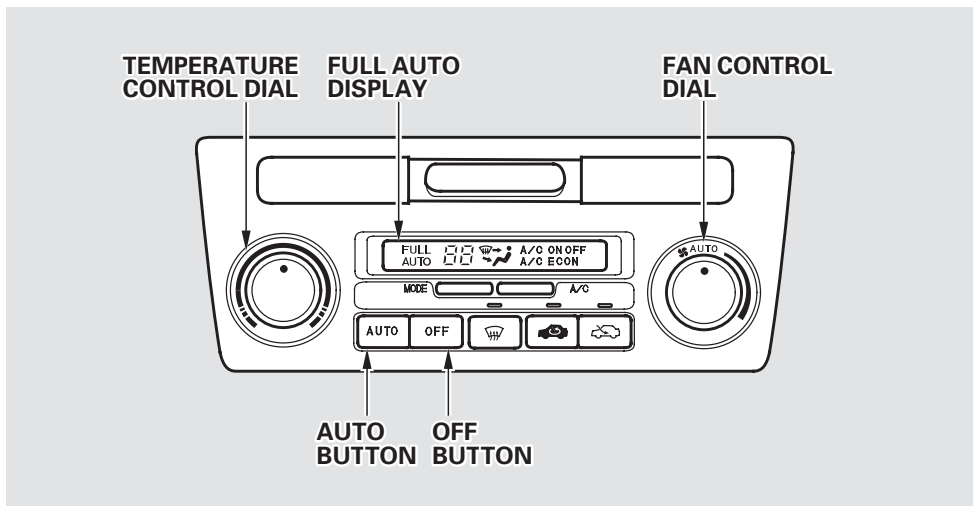
### 3.5 RL without Navigation System

#### Fully-automatic Operation

To put the Automatic Climate Control in fully-automatic mode, press the AUTO button and set the fan control dial to AUTO, then set the desired temperature by turning the temperature control dial. You will see FULL AUTO in the system's display. The light above either the  or  button also goes on to show you which is selected.

The system automatically selects the proper mix of conditioned and/or heated air that will, as quickly as possible, raise or lower the interior temperature from its current level to the set temperature.

When you set the temperature to its lower limit (60°F/18°C) or its upper limit (90°F/32°C), the system runs at full cooling or heating only. It does not regulate the interior temperature. When the temperature is set



between the lower and upper limits, the system regulates the interior temperature to the set value.

In cold weather, the fan will not come on automatically until the car has been driven for a short time and the heater starts to develop warm air.

Pressing the OFF button shuts the climate control system completely off. Keep the system completely off only for short periods. To keep stale air and mustiness from collecting, you should have the fan running at all times.

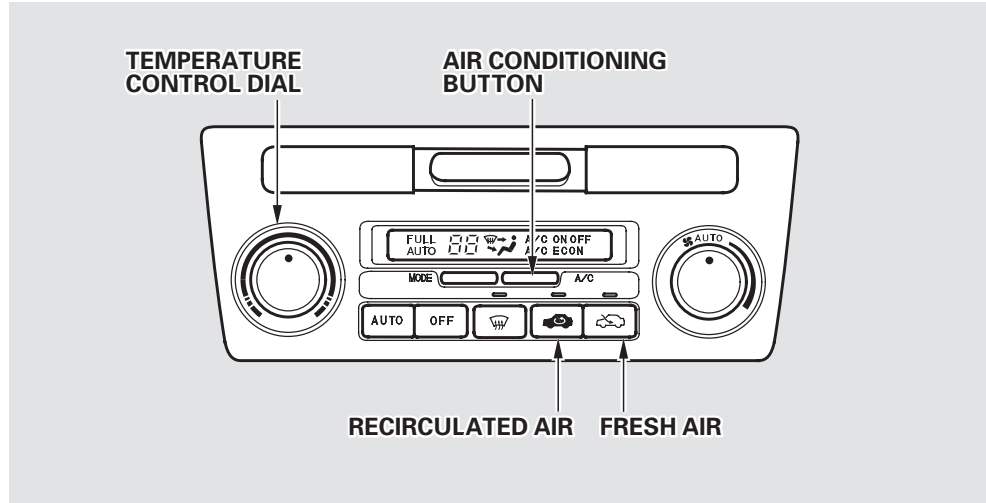
## Semi-automatic Operation

You can manually select various functions of the Climate Control system when it is in FULL AUTO. All other features remain automatically controlled. Making any manual selection causes the word FULL to go out.

## Air Conditioning (A/C) Button

Press the A/C button to operate the air conditioning. Each time you press the A/C button, the display shows the mode: A/C ECON, A/C OFF, or A/C ON.

When you turn the A/C off, the system cannot regulate the inside temperature if you set the dial below the outside temperature. With the A/C on, use the temperature control dial to adjust the temperature of the air flow to a comfortable setting.



With the A/C in economy mode, you will see A/C ECON in the system's display. Use this mode to get better fuel economy.


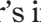
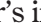

In this mode, you may feel a slight reduction in cooling efficiency. If you want more cooling, select A/C ON or FULL AUTO.

CONTINUED



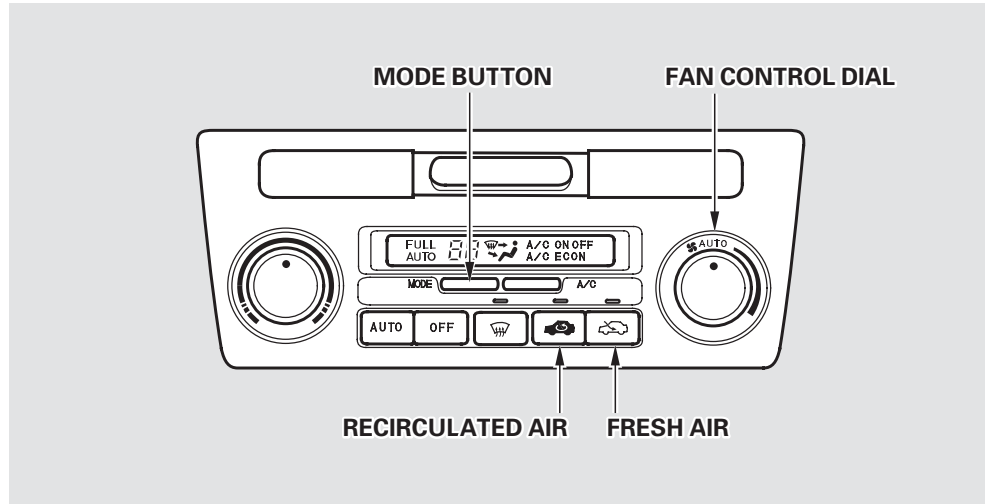
# Climate Control System

## *Recirculated and Fresh Air*

These two buttons control the source of the air going into the system. In Fresh Air mode (  ), air is brought in from outside the vehicle. In Recirculation mode (  ), air from the car's interior is sent through the system again. You can, for example, manually put the system in recirculation mode when driving through an area of smoke or fumes. When you press the  or  button, the light in that button comes on.


## *Fan Control Dial*


You can manually select the fan speed by turning the fan control dial. When you turn the dial clockwise, the fan is taken out of automatic mode and starts to run at its lowest speed. Turning the dial fully clockwise increases the fan's speed, which increases air flow.




## *Mode Button*

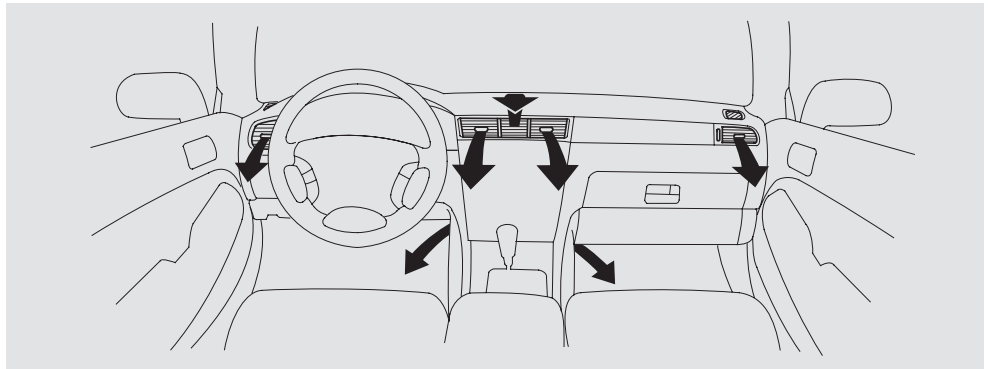
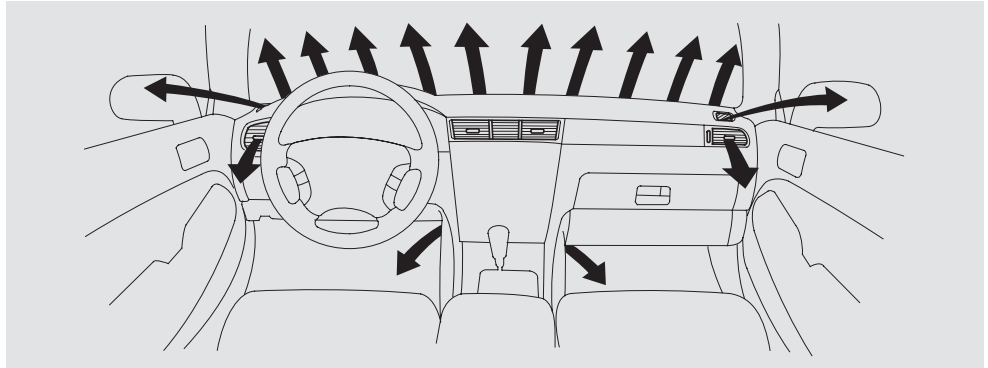
Use the MODE button to select the vents the air flows from. Some air will flow from the side vents and the dashboard corner vents in all modes. Each time you press the MODE button, the display shows the mode selected. Press the button four times to see all the modes.

 The main air flow is divided between the floor vents and defroster vents at the base of the windshield.

 The main air flow comes from the floor vents.


 The main air flow is divided between the dashboard vents and the floor vents.


 The main air flow comes from the dashboard vents.




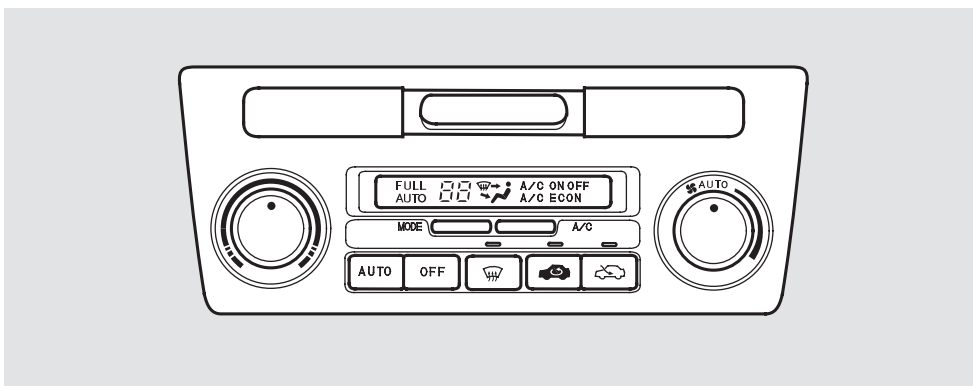
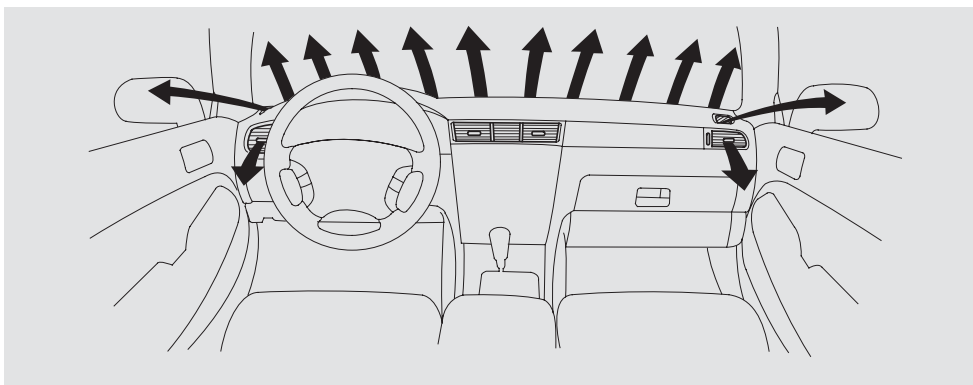
*CONTINUED*

## Climate Control System

The  button directs the main air flow to the windshield for faster defrosting. It also overrides any MODE selection you may have made.


When you select , the A/C turns on automatically and the system selects Fresh Air mode. For faster defrosting, manually set the fan speed to high. You can also increase air flow to the windshield by closing the side vents in the dashboard.

When you turn off  by pressing the button again, the system returns to its former settings.



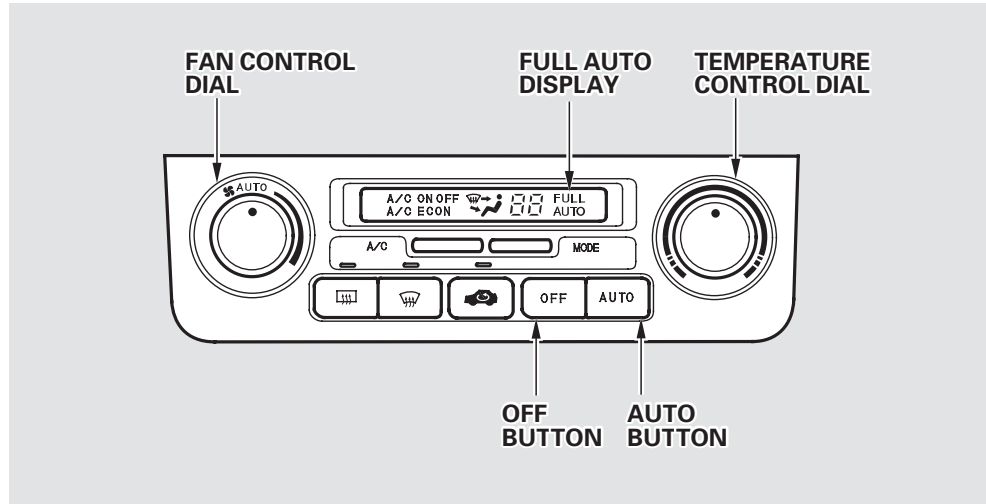
## 3.5 RL with Navigation System

### Fully-automatic Operation

To put the Automatic Climate Control in fully-automatic mode, press the AUTO button and set the fan control dial to AUTO, then set the desired temperature by turning the temperature control dial. You will see FULL AUTO in the system's display. The light above the  button also shows you which mode, Recirculation or Fresh Air, is selected.

The system automatically selects the proper mix of conditioned and/or heated air that will, as quickly as possible, raise or lower the interior temperature from its current level to the set temperature.

When you set the temperature to its lower limit (60°F/18°C) or its upper limit (90°F/32°C), the system runs at full cooling or heating only. It does not regulate the interior temperature.



When the temperature is set between the lower and upper limits, the system regulates the interior temperature to the set value.

In cold weather, the fan will not come on automatically until the car has been driven for a short time and the heater starts to develop warm air.

Pressing the OFF button shuts the climate control system completely off. Keep the system completely off only for short periods. To keep stale air and mustiness from collecting, you should have the fan running at all times.

# Climate Control System

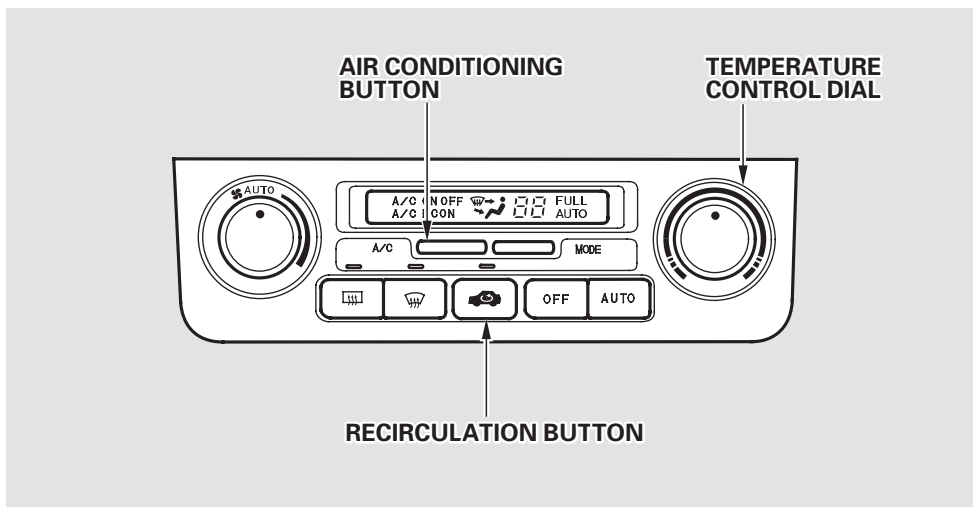
## Semi-automatic Operation

You can manually select various functions of the Climate Control system when it is in FULL AUTO. All other features remain automatically controlled. Making any manual selection causes the word FULL to go out.

## Air Conditioning (A/C) Button

Press the A/C button to operate the air conditioning. Each time you press the A/C button, the display shows the mode: A/C ECON, A/C OFF, or A/C ON.

When you turn the A/C off, the system cannot regulate the inside temperature if you set the dial below the outside temperature. With the A/C on, use the temperature control dial to adjust the temperature of the air flow to a comfortable setting.



With the A/C in economy mode, you will see A/C ECON in the system's display. Use this mode to get better fuel economy.

In this mode, you may feel a slight reduction in cooling efficiency. If you want more cooling, select A/C ON or FULL AUTO.

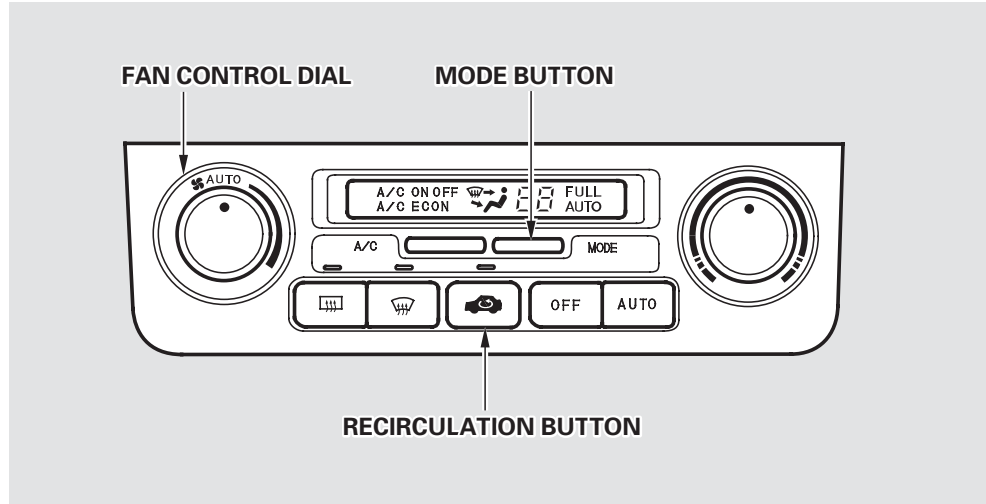
## ***Recirculation Button***

This button controls the source of the air going into the system. When the indicator above this button is lit, air from the car's interior is sent through the system again (Recirculation mode). When the indicator is off, air is brought in from outside the car (Fresh Air mode).

You can, for example, manually put the system in recirculation mode when driving through an area of smoke or fumes.

## ***Fan Control Dial***

You can manually select the fan speed by turning the fan control dial. When you turn the dial clockwise, the fan is taken out of automatic mode and starts to run at its lowest speed. Turning the dial fully clockwise increases the fan's speed, which increases air flow.




## ***Mode Button***

Use the MODE button to select the vents the air flows from. Some air will flow from the side vents and the dashboard corner vents in all modes. Each time you press the MODE button, the display shows the mode selected. Press the button four times to see all the modes.


*CONTINUED*

## Climate Control System

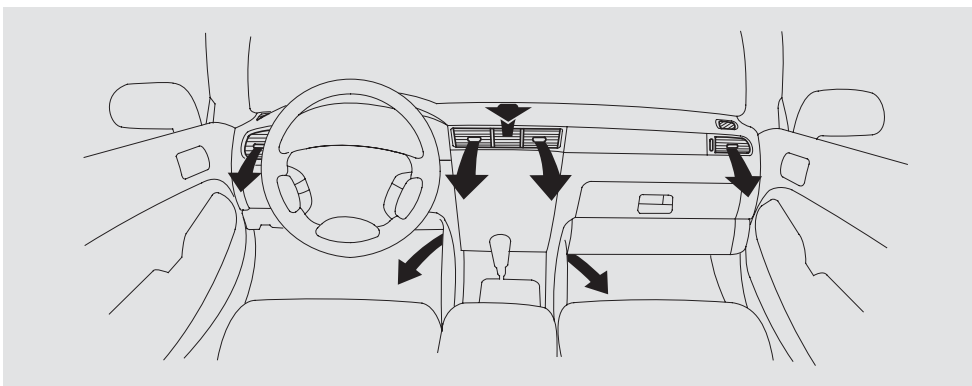
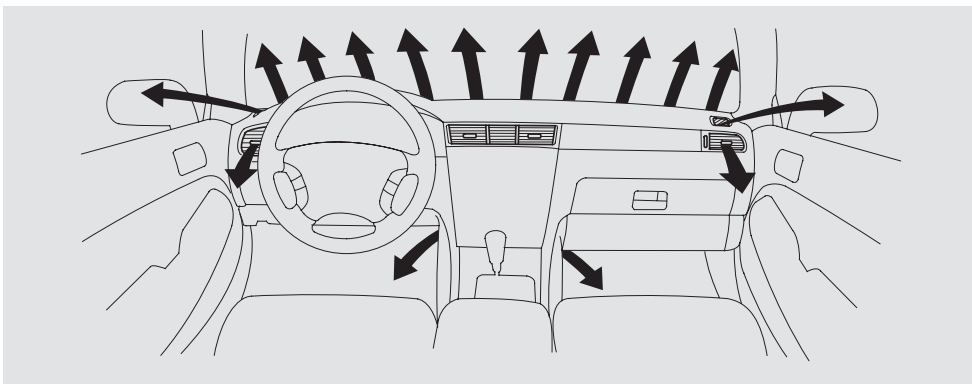
---


 The main air flow is divided between the floor vents and defroster vents at the base of the windshield.


 The main air flow comes from the floor vents.


 The main air flow is divided between the dashboard vents and the floor vents.

 The main air flow comes from the dashboard vents.



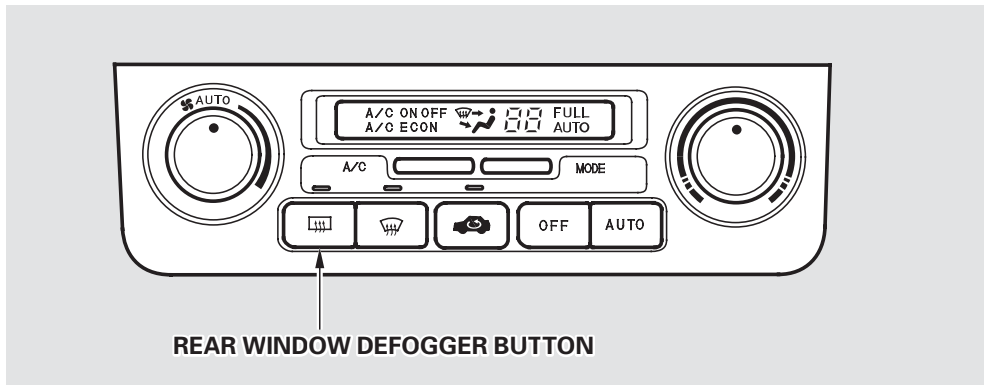
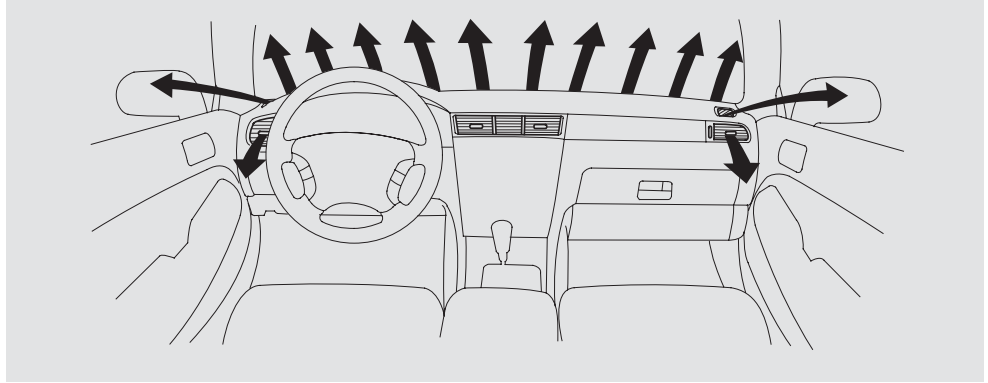
The  button directs the main air flow to the windshield for faster defrosting. It also overrides any MODE selection you may have made.

When you select , the A/C turns on automatically and the system selects Fresh Air mode. For faster defrosting, manually set the fan speed to high. You can also increase air flow to the windshield by closing the side vents in the dashboard.

When you turn off  by pressing the button again, the system returns to its former settings.

## Rear Window Defogger Button

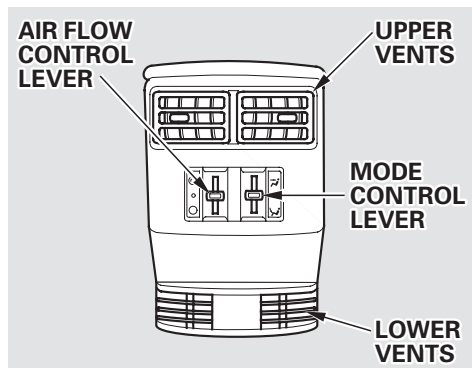
This button turns the rear window defogger on and off (see page 71).





# Climate Control System

## Rear Ventilation



The air flow from the rear vents can be adjusted when the climate control system is on.

You can adjust the direction of the air coming from the upper vents in the center console by moving the tab in the center of each vent up-and-down and side-to-side.

You can also adjust the amount of the air flow by sliding the air flow control lever under the upper vents. Slide this lever upward to increase the amount of air flow.

- (Upper position): Maximum
- (Center position): Moderate
- (Lower position): Off

## *Mode Control Lever*

Use the mode control lever to select the air flow level. Air flows into the rear seat at three levels.

 (Upper position):

Air flows from the upper vents in the back of the center console.

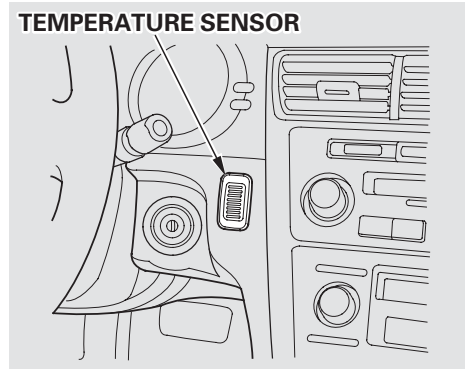
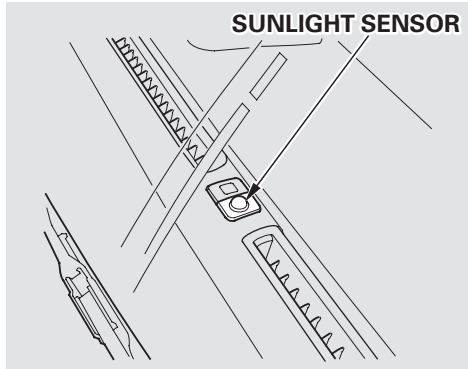
— (Center position):

Air flow is divided between the upper vents and the lower vents in the back of the center console.

 (Lower position):

Air flows from the lower vents.

## Sunlight Sensor/Temperature Sensor




The climate control system has two sensors. A sunlight sensor is located in the top of the dashboard and a temperature sensor is next to the steering column. Do not cover the sensors or spill any liquid on them.

# Audio System

## AM/FM/Cassette Stereo Audio System

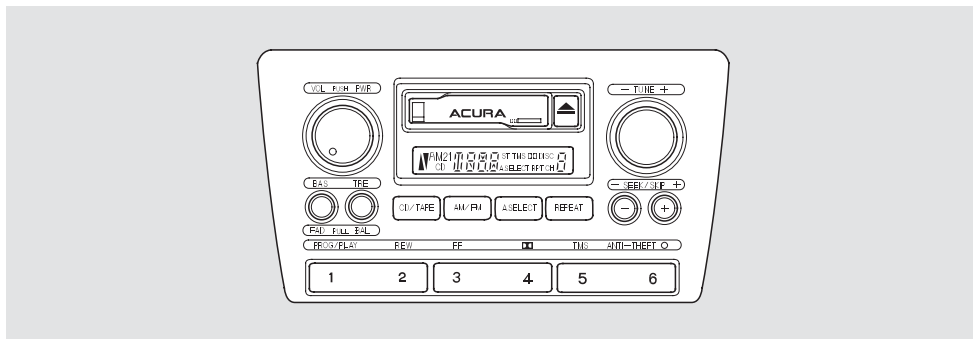
Your Acura's audio system provides clear reception on both AM and FM bands, while the preset buttons allow you to easily select your favorite stations.

The cassette system features Dolby\* noise reduction, automatic sensing of chromium-dioxide (CrO<sub>2</sub>) tape, and auto-reverse for continuous play.

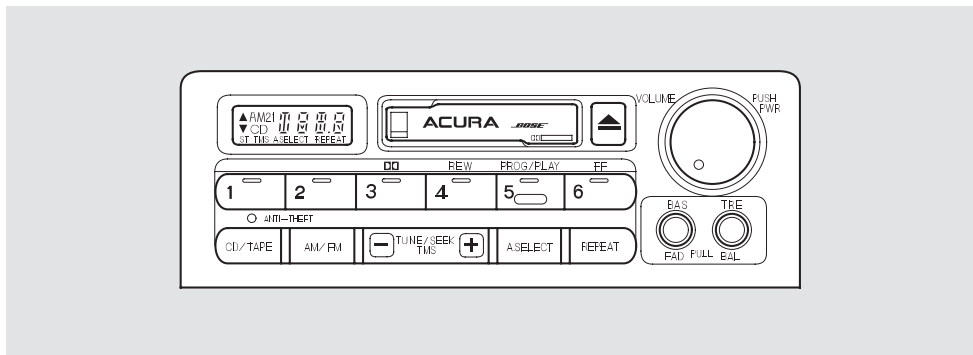
\* Dolby noise reduction manufactured under license from Dolby Laboratories Licensing Corporation. "DOLBY" and the double-D symbol  are trademarks of Dolby Laboratories Licensing Corporation.

The anti-theft feature will disable the system if it is disconnected from the car's battery. To get the system working again, you must enter a code number (see page 156).

## 3.5 RL without Navigation System



## 3.5 RL with Navigation System



### **3.5 RL without Navigation System Operating the Radio**

The ignition switch must be in ACCESSORY (I) or ON (II) to operate the audio system. Turn the system on by pushing the PWR/VOL knob or the AM/FM button. Adjust the volume by turning the knob.

The band and frequency that the radio was last tuned to is displayed. To change bands, press the AM/FM button. On the FM band, ST will be displayed if the station is broadcasting in stereo. ST will flash if you are driving in an area where the radio signal is weak. Stereo reproduction on AM is not available.

You can use any of three methods to find radio stations on the selected band: TUNE, SEEK, or the Preset buttons.

**TUNE** — Use the TUNE knob to tune the radio to a desired frequency. Turn the TUNE knob to the right to tune to a higher frequency, or to the left to tune to a lower frequency. Turn the knob right or left until the display reaches the desired frequency.

**SEEK** — The SEEK function searches the band for a station with a strong signal. To activate it, push either side of the SEEK/SKIP buttons (– or +). Push the + button to scan up from the current frequency, and the – button to scan down. It stops when it finds a station with a strong signal.

**Preset** — You can store the frequencies of your favorite radio stations in the six preset buttons. Each button will store one frequency on the AM band, and two frequencies on the FM band.

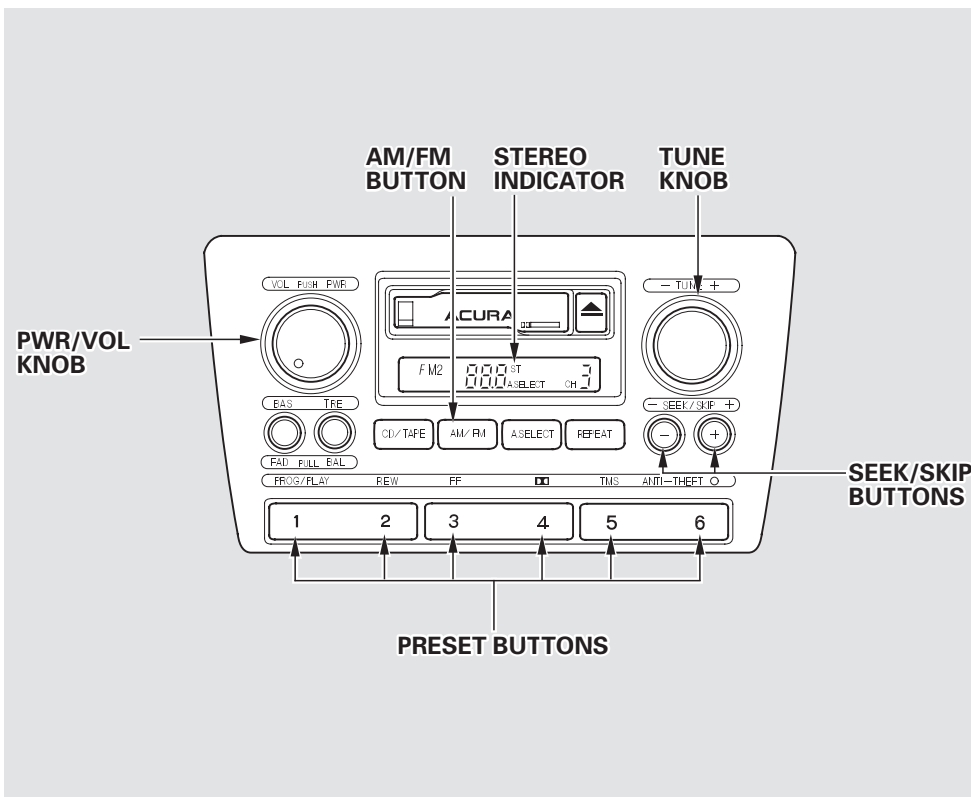
*CONTINUED*

## Audio System

To store a frequency:

1. Select the desired band, AM or FM. FM1 and FM2 let you store two frequencies with each Preset button.
2. Use the TUNE or SEEK function to tune the radio to a desired station.
3. Pick the Preset button you want for that station. Press the button and hold it until you hear a beep.
4. Repeat steps 1 to 3 to store a total of six stations on AM and twelve on FM.

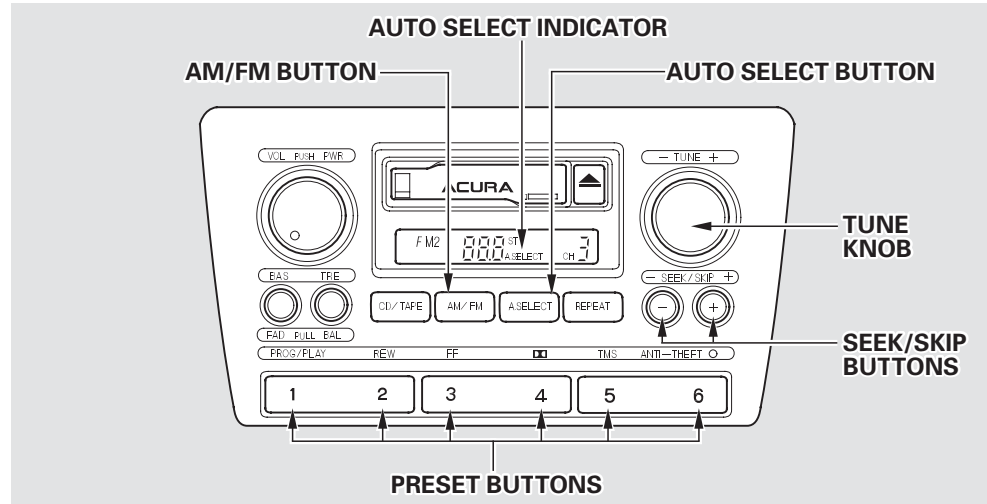
Once a station's frequency is stored, simply press and release the proper Preset button to tune to it. The preset frequencies will be lost if your car's battery goes dead, is disconnected, or the radio fuse is removed.



**AUTO SELECT** — If you are traveling far from home and can no longer receive the stations you preset, you can use the Auto Select feature to find stations in the local area.

To activate Auto Select, press the A. SELECT button. A. SELECT will appear in the display, and the system will go into scan mode for several seconds. It automatically scans both bands, looking for stations with strong signals. It stores the frequencies of six AM stations and twelve FM stations in the preset buttons. You can then use the preset buttons to select those stations.

If you are in a remote area, Auto Select may not find six strong AM stations or twelve strong FM stations. If this happens, you will see a “0” displayed when you press any preset button that does not have a station stored.



With Auto Select on, you cannot manually store any frequencies in the preset buttons. If you do not like the stations found by Auto Select, you can use the TUNE and SEEK functions to find other stations.

Auto Select does not erase the frequencies that you preset previously. When you return home, turn off Auto Select by pressing the A. SELECT button. The preset buttons will then select the frequencies you originally set.

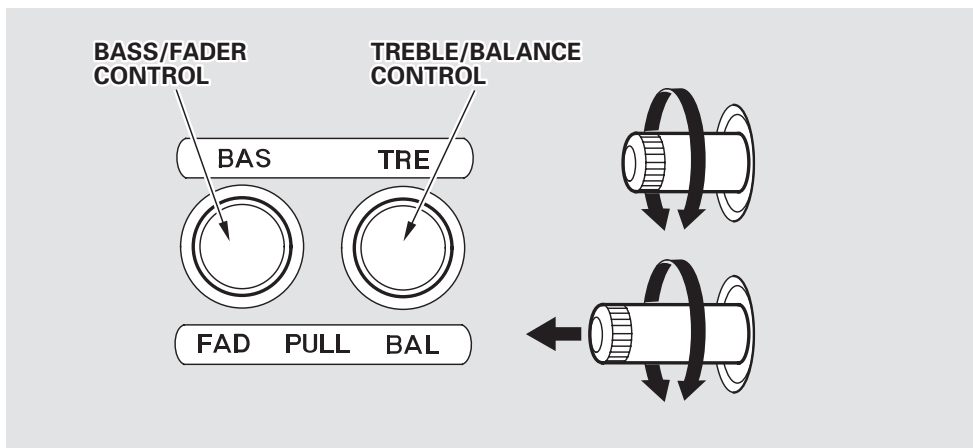
## Audio System

### Adjusting the Sound

**Balance/Fader** — These two controls adjust the strength of the sound coming from each speaker. The Balance control adjusts the side-to-side strength, while the Fader control adjusts the front-to-back strength.

To adjust the fader, push on the BASS/FADER control knob to get it to pop out. Pull it out slightly farther, and adjust the front-to-back sound to your liking. Push the knob back in when you are done so you cannot change the setting by accidentally bumping it.

To adjust the balance, push on the TREBLE/BALANCE control knob to get it to pop out. Pull it out slightly farther, and adjust the side-to-side sound to your liking. Push the knob back in when you are done so you cannot change the setting by accidentally bumping it.



**Treble/Bass** — Use these controls to adjust the tone to your liking.

To adjust the Treble level, push on the TREBLE/BALANCE control knob to get it to pop out. Without pulling it out farther, turn the knob to adjust the treble level. Push the knob back in when you are done so you cannot change the setting by accidentally bumping it.

To adjust the Bass level, push on the BASS/FADER control knob to get it to pop out. Without pulling it out farther, turn the knob to adjust the bass level. Push the knob back in when you are done so you cannot change the setting by accidentally bumping it.

### Audio System Lighting

You can use the instrument panel brightness control dial to adjust the illumination of the audio system (see page 66). The audio system illuminates when the parking lights are on, even if the radio is turned off.


### Radio Frequencies and Reception

For information, See page 141.

### Operating the Cassette Player

The ignition switch must be in ACCESSORY (I) or ON (II). Make sure the tape opening on the cassette is facing to the right, then insert the cassette most of the way into the slot. The system will pull it in the rest of the way, and begin to play.

The tape direction indicator will light to show you which side of the cassette is playing. The ▲ indicates the side you inserted facing upward is now playing. If you want to play the other side, press the PROG/PLAY button.

Dolby noise reduction turns on when you insert a cassette. If the tape was not recorded with Dolby noise reduction, turn it off by pressing the  button.

When the system reaches the end of the tape, it will automatically reverse direction and play the other side. If you want to remove the cassette from the drive, press the EJECT button.

If you turn the system off while a tape is playing, either with the PWR/VOL knob or by turning off the ignition, the cassette will remain in the drive. When you turn the system back on, the tape will begin playing where it left off.

To switch to the radio or CD changer while listening to a tape, press the AM/FM or CD/TAPE button. To change back to the cassette player, press the CD/TAPE button.

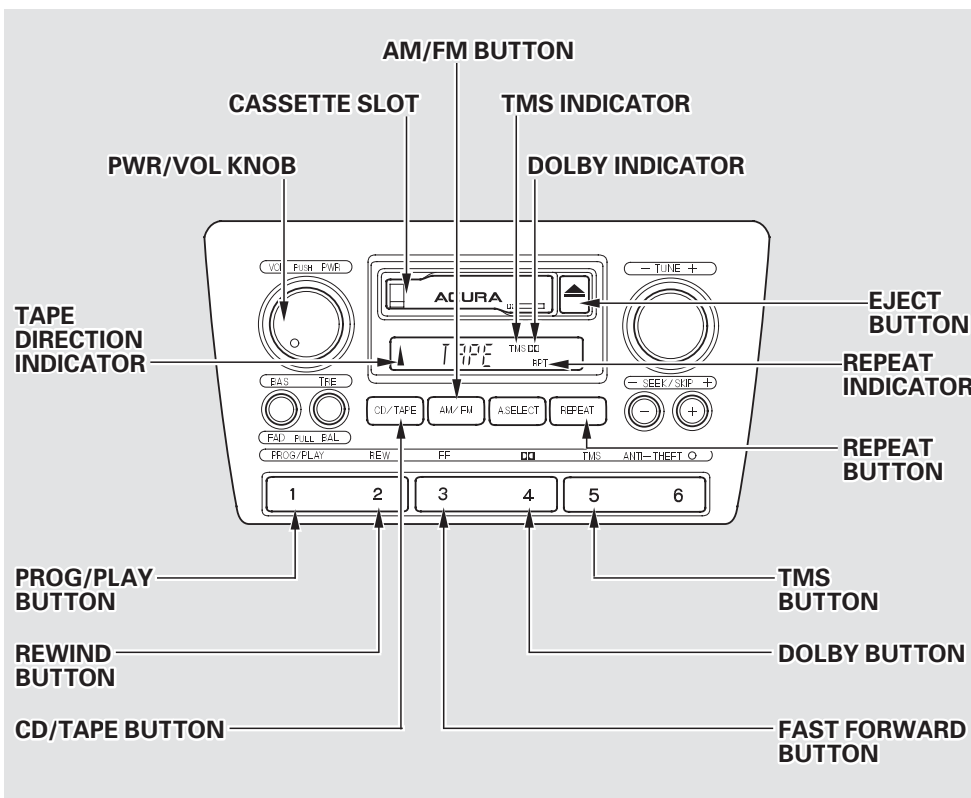


# Audio System

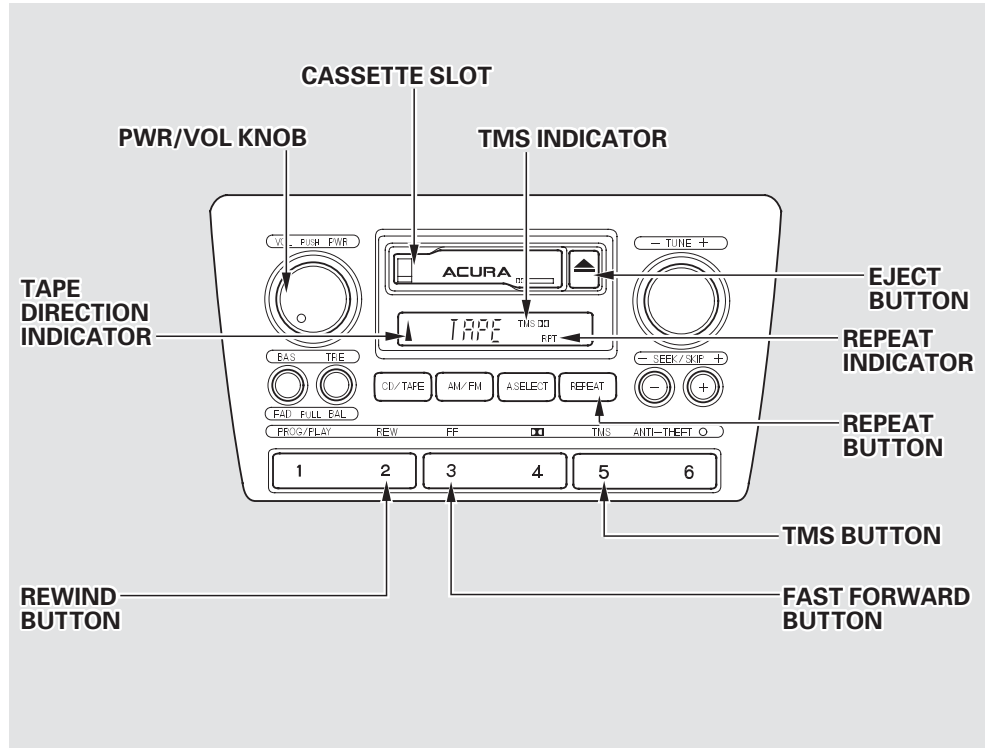
## Tape Search Functions

With a cassette playing, you can use the FF, REW, TMS, or REPEAT function to find a desired program.

**FF/REW** — Fast Forward and Re-wind move the tape rapidly. To re-wind the tape, push the REW button. You will see REW in the display. To fast forward the tape, push the FF button. You will see FF displayed. Press the PROG/PLAY button to take the system out of rewind or fast forward. When the system reaches the end of the tape, it reverses direction and begins to play if in fast forward, or it begins to play if in rewind.



**TMS** — The Tape Music Search Function allows you to find the beginning of a song or passage. To activate TMS, press the TMS button. You will see TMS displayed. To find the beginning of the song or passage currently playing, push the REW button. You will see REW flashing in the display as the tape rewinds. To find the beginning of the next song, push the FF button. You will see FF flashing in the display as the tape fast forwards. When the system finds the beginning of a song or passage, it goes back to PLAY mode. Press the TMS button again to turn it off.



CONTINUED

## Audio System

---

**REPEAT** — The Repeat function continuously replays the current song or passage. Press the REPEAT button to activate it; you will see RPT displayed as a reminder. When the system reaches the end of the song or passage currently playing, it will automatically go into rewind. When it senses the beginning of the same song or passage, the system returns to PLAY mode. It will continue to repeat this same program until you deactivate REPEAT by pressing the button again. Pressing the REW or FF button also turns off REPEAT.

The TMS and REPEAT functions use silent periods on the tape to find the end of a song or passage. These features may not work to your satisfaction if there is almost no gap between selections, a high noise level between selections, or a silent period in the middle of a selection.

### **Caring for Cassettes**

Damaged cassettes can jam inside the drive or cause other problems. See page [148](#) for information on cassette care and protection.

### **Operating the CD Changer**

A Compact Disc changer is standard equipment. It holds up to six discs, providing several hours of continuous entertainment. You operate the CD changer with the same controls used for the radio and cassette player.

To load the CDs in the magazine and load the magazine into the CD changer, refer to page [159](#). Play only standard round discs. Odd-shaped CDs may jam in the drive or cause other problems.

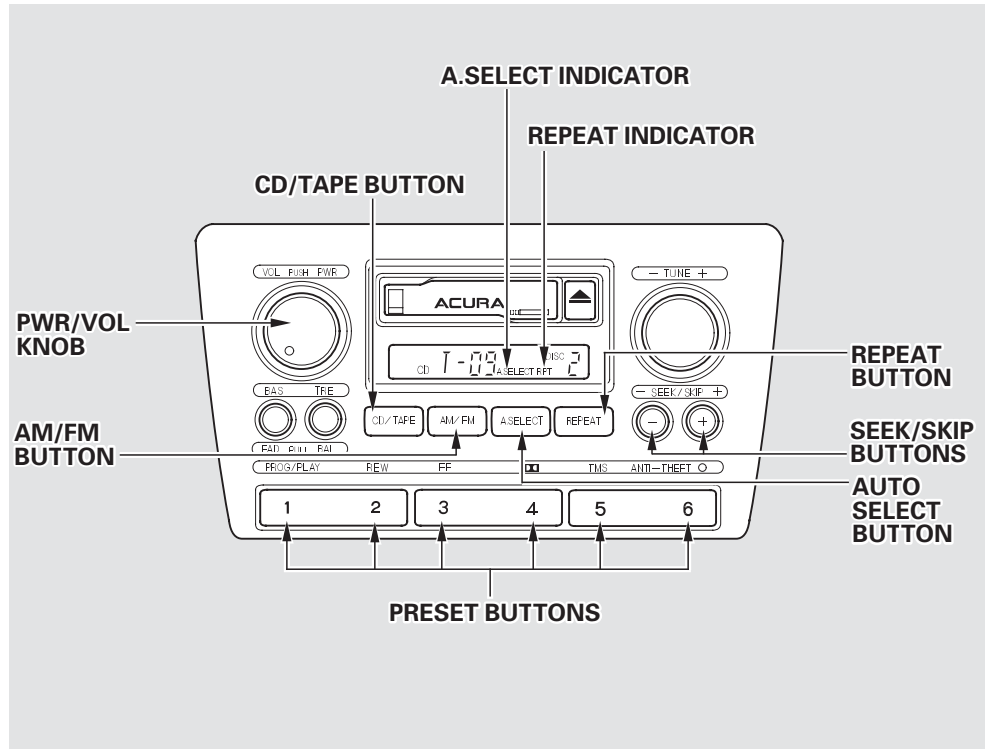
Do not play discs with disc accessories such as protective seals or rubbers. Using them may also cause the audio system to malfunction.

To operate the CD changer, the ignition switch must be in ACCESSORY (I) or ON (II).

Select the CD mode by pressing the CD/TAPE button. You will see “CD” in the display. The system will start to play the first track of the first disc in the magazine. You will see the disc and track number displayed.

When that disc ends, the next disc in the magazine is loaded and played. After the last disc finishes, the system returns to disc 1.

To select a different disc, press the appropriate preset button (1 – 6). If you select an empty slot in the magazine, the changer will, after finding that slot empty, try to load the CD in the next slot. This continues until it finds a CD to load and play.



*CONTINUED*

## Audio System

---

You can use the SEEK/SKIP buttons to select tracks within a disc. If you push and release either side of the SEEK/SKIP buttons (– or +), the system will move to the beginning of a track. Push the + button to move to the beginning of the next track, and push the – button to move to the beginning of the current track.

If you push and hold the SEEK/SKIP button, you will hear a beep and the system will continue to move across tracks. Release the button when you think it has reached the desired place on the disc.

**REPEAT** – When you activate the Repeat feature by pressing the REPEAT button, the system continuously replays the current track. You will see RPT in the display as a reminder. Press the REPEAT button again to turn it off.

**RANDOM PLAY** – This feature, when activated, plays the tracks on a CD in random order, rather than in the order they are recorded on the CD. To activate Random Play, press the A. SELECT button. You will see A. SELECT in the display. The system will then select and play tracks randomly on the current disc. When all tracks on that disc have been played, the next disc is loaded and played randomly. This continues until you deactivate Random Play by pressing A. SELECT again.

To take the system out of CD mode, press the AM/FM button or insert a cassette in the player. If a tape is already in the cassette player, press the CD/TAPE button. When you return to CD mode, play will continue at the same point that it left off.

If you turn the system off while a CD is playing, either with the PWR/VOL knob or the ignition switch, play will continue at the same point when you turn it back on.

### **Protecting Compact Discs**

For information on how to handle and protect compact discs, see page [153](#).

### **3.5 RL with Navigation System** **Operating the Radio**

The ignition switch must be in ACCESSORY (I) or ON (II) to operate the audio system. Turn the system on by pushing the PWR/VOL knob or the AM/FM button. Adjust the volume by turning the knob.

The band and frequency that the radio was last tuned to is displayed. To change bands, press the AM/FM button. On the FM band, ST will be displayed if the station is broadcasting in stereo. ST will flash if you are driving in an area where the radio signal is weak. Stereo reproduction on AM is not available.

You can use any of three methods to find radio stations on the selected band: TUNE, SEEK, or the Preset buttons.

**TUNE** — Use the TUNE bar to tune the radio to a desired frequency. Push and release the appropriate side of the bar quickly. The frequency numbers will change in small increments.

**SEEK** — The SEEK function searches the band for a station with a strong signal. To activate it, push either side of the SEEK bar (– or +) until you hear a beep. Push the bar on the + side to scan up from the current frequency, and on the – side to scan down. It stops when it finds a station with a strong signal.

**Preset** — You can store the frequencies of your favorite radio stations in the six preset buttons. Each button will store one frequency on the AM band, and two frequencies on the FM band.

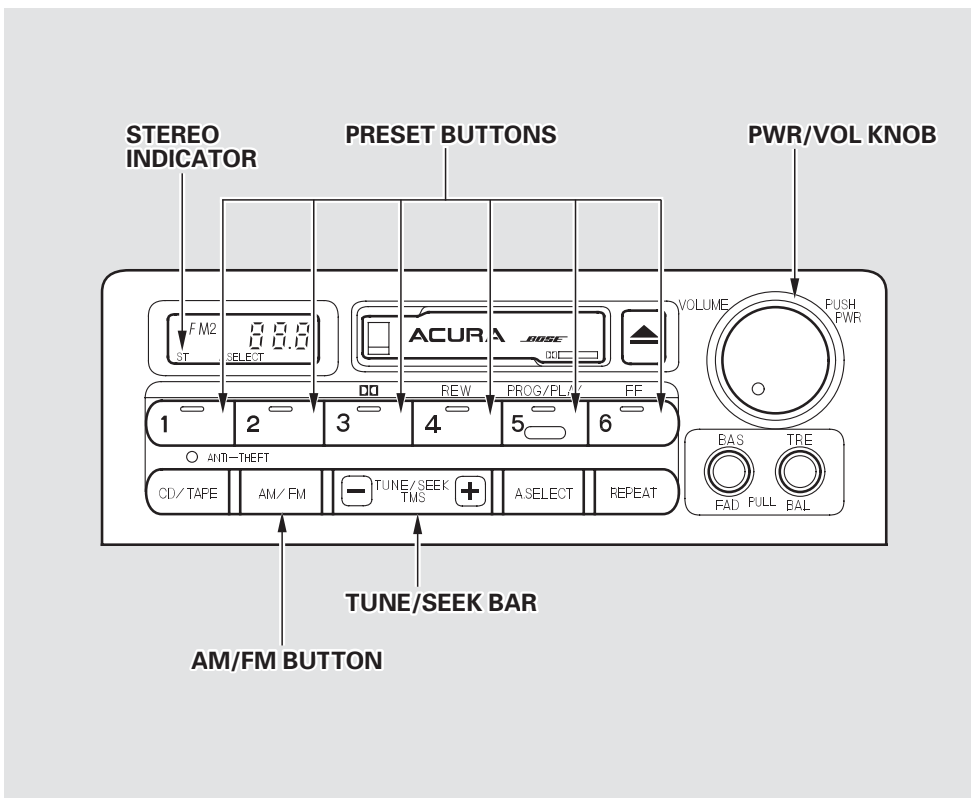
*CONTINUED*

## Audio System

To store a frequency:

1. Select the desired band, AM or FM. FM1 and FM2 let you store two frequencies with each Preset button.
2. Use the TUNE or SEEK function to tune the radio to a desired station.
3. Pick the Preset button you want for that station. Press the button and hold it until you hear a beep.
4. Repeat steps 1 to 3 to store a total of six stations on AM and twelve on FM.

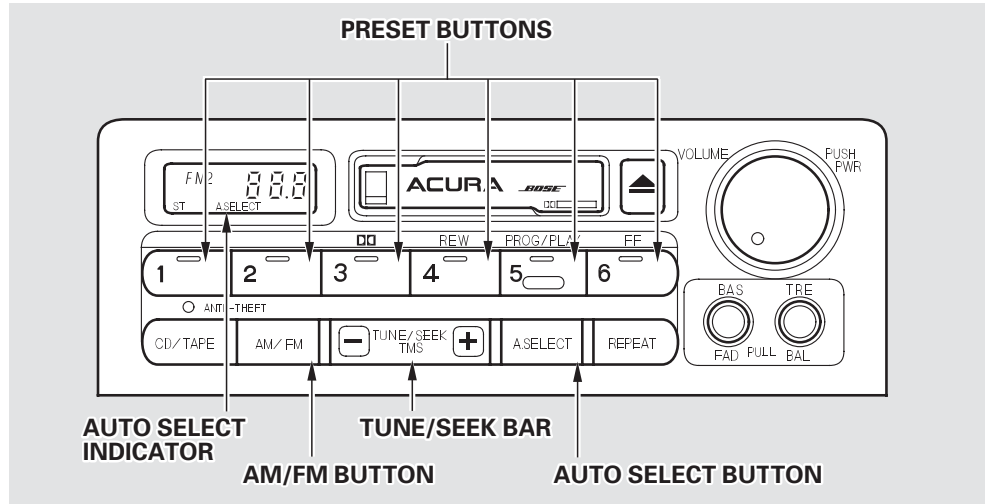
Once a station's frequency is stored, simply press and release the proper Preset button to tune to it. The preset frequencies will be lost if your car's battery goes dead, is disconnected, or the radio fuse is removed.



**AUTO SELECT** — If you are traveling far from home and can no longer receive the stations you preset, you can use the Auto Select feature to find stations in the local area.

To activate Auto Select, press the A. SELECT button. A. SELECT will appear in the display, and the system will go into scan mode for several seconds. It automatically scans both bands, looking for stations with strong signals. It stores the frequencies of six AM stations and twelve FM stations in the preset buttons. You can then use the preset buttons to select those stations.

If you are in a remote area, Auto Select may not find six strong AM stations or twelve strong FM stations. If this happens, you will see a “0” displayed when you press any preset button that does not have a station stored.



With Auto Select on, you cannot manually store any frequencies in the preset buttons. If you do not like the stations found by Auto Select, you can use the TUNE and SEEK functions to find other stations.

Auto Select does not erase the frequencies that you preset previously. When you return home, turn off Auto Select by pressing the A. SELECT button. The preset buttons will then select the frequencies you originally set.



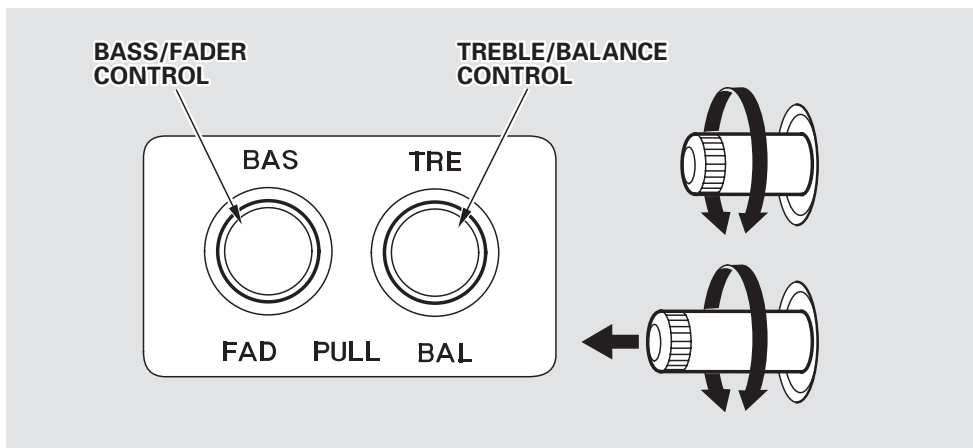
## Audio System

### Adjusting the Sound

**Balance/Fader** — These two controls adjust the strength of the sound coming from each speaker. The Balance control adjusts the side-to-side strength, while the Fader control adjusts the front-to-back strength.

To adjust the fader, push on the BASS/FADER control knob to get it to pop out. Pull it out slightly farther, and adjust the front-to-back sound to your liking. Push the knob back in when you are done so you cannot change the setting by accidentally bumping it.

To adjust the balance, push on the TREBLE/BALANCE control knob to get it to pop out. Pull it out slightly farther, and adjust the side-to-side sound to your liking. Push the knob back in when you are done so you cannot change the setting by accidentally bumping it.



**Treble/Bass** — Use these controls to adjust the tone to your liking.

To adjust the Treble level, push on the TREBLE/BALANCE control knob to get it to pop out. Without pulling it out farther, turn the knob to adjust the treble level. Push the knob back in when you are done so you cannot change the setting by accidentally bumping it.

To adjust the Bass level, push on the BASS/FADER control knob to get it to pop out. Without pulling it out farther, turn the knob to adjust the bass level. Push the knob back in when you are done so you cannot change the setting by accidentally bumping it.

### Audio System Lighting

You can use the instrument panel brightness control dial to adjust the illumination of the audio system (see page 66 ). The audio system illuminates when the parking lights are on, even if the radio is turned off.

### Radio Frequencies

Your Acura's radio can receive the complete AM and FM bands. Those bands cover these frequencies:

AM band:

530 to 1,710 kilohertz

FM band:

87.7 to 107.9 megahertz

Radio stations on the AM band are assigned frequencies at least ten kilohertz apart (530, 540, 550). Stations on the FM band are assigned frequencies at least 0.2 megahertz apart (87.9, 88.1, 88.3).

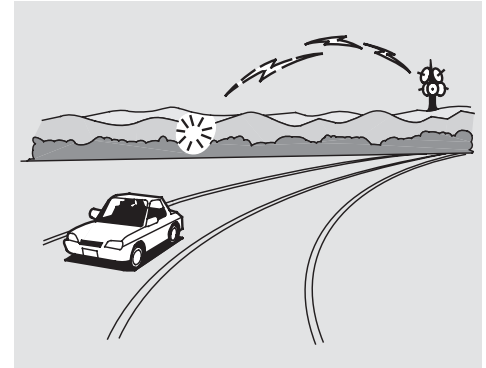
Stations must use these exact frequencies. It is fairly common for stations to round-off the frequency in their advertising, so your radio could display a frequency of 100.9 even though the announcer may identify the station as "FM101."

### Radio Reception

How well your Acura's radio receives stations is dependent on many factors, such as the distance from the station's transmitter, nearby large objects, and atmospheric conditions.

A radio station's signal gets weaker as you get farther away from its transmitter. If you are listening to an AM station, you will notice the sound volume becoming weaker, and the station drifting in and out. If you are listening to an FM station, you will see the stereo indicator flickering off and on as the signal weakens. Eventually, the stereo indicator will

go off and the sound will fade completely as you get out of range of the station's signal.

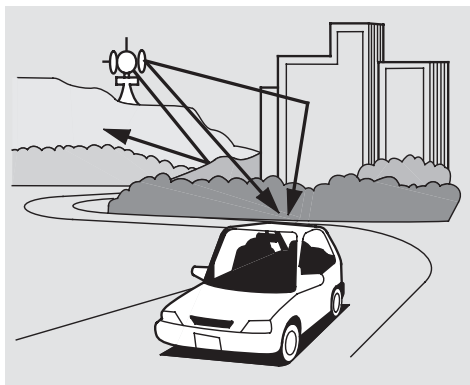


Driving very near the transmitter of a station that is broadcasting on a frequency close to the frequency of the station you are listening to can also affect your radio's reception. You may temporarily hear both stations, or hear only the station you are close to.

*CONTINUED*

## Audio System

---



Radio signals, especially on the FM band, are deflected by large objects such as buildings and hills. Your radio then receives both the direct signal from the station's transmitter, and the deflected signal. This causes the sound to distort or flutter. This is a main cause of poor radio reception in city driving.



Radio reception can be affected by atmospheric conditions such as thunderstorms, high humidity, and even sunspots. You may be able to receive a distant radio station one day and not receive it the next day because of a change in conditions.

Electrical interference from passing vehicles and stationary sources can cause temporary reception problems.



*As required by the FCC:  
Changes or modifications not expressly  
approved by the party responsible for  
compliance could void the user's  
authority to operate the equipment.*

### Operating the Cassette Player

The ignition switch must be in ACCESSORY (I) or ON (II).

Make sure the tape opening on the cassette is facing to the right, then insert the cassette most of the way into the slot. The system will pull it in the rest of the way, and begin to play.

The tape direction indicator will light to show you which side of the cassette is playing. The ▲ indicates the side you inserted facing upward is now playing. If you want to play the other side, press the PROG/PLAY button.

Dolby B noise reduction turns on when you insert a cassette. The indicator in the  button will light. If the tape was not recorded with Dolby B noise reduction, turn it off by pressing the  button.

When the system reaches the end of the tape, it will automatically reverse direction and play the other side. If you want to remove the cassette from the drive, press the EJECT button.

If you turn the system off while a tape is playing, either with the PWR/VOL knob or by turning off the ignition, the cassette will remain in the drive. When you turn the system back on, the tape will begin playing where it left off.

To switch to the radio or CD changer while listening to a tape, press the AM/FM or CD/TAPE button. To change back to the cassette player, press the CD/TAPE button.

### Tape Search Functions

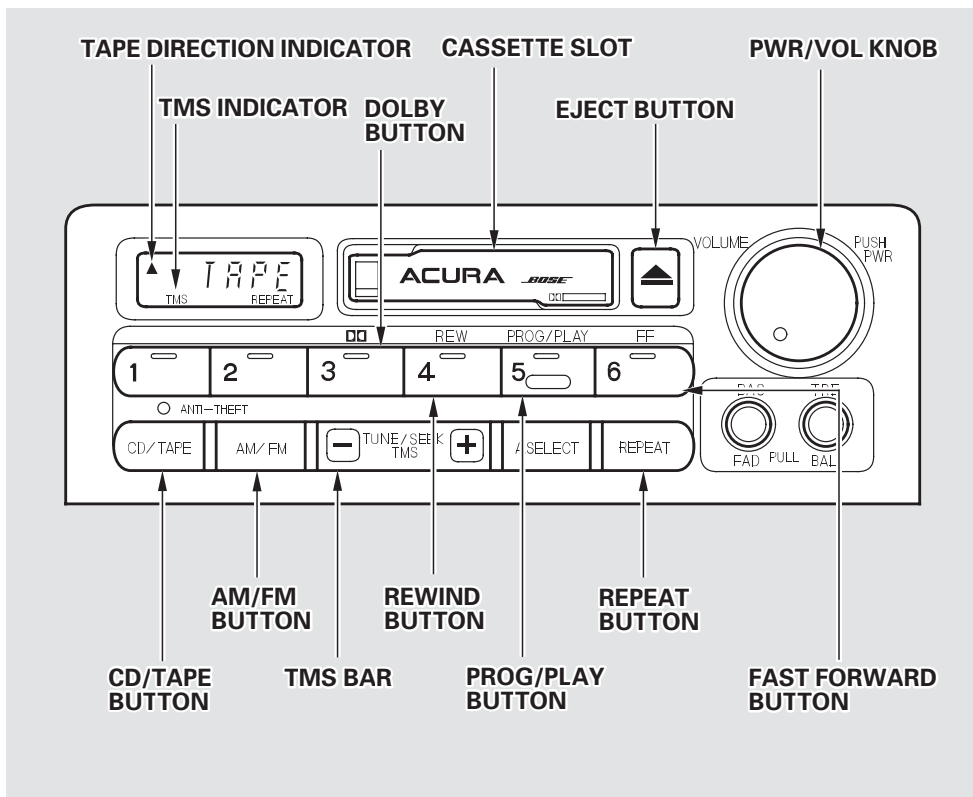
With a cassette playing, you can use the FF, REW, TMS, or REPEAT function to find a desired program.

**FF/REW** — Fast Forward and Rewind move the tape rapidly. To rewind the tape, push the REW button. The indicator in this button will light. To fast forward the tape, push the FF button. The indicator in this button will light. Press the PROG/PLAY button to take the system out of rewind or fast forward. When the system reaches the end of the tape, it reverses direction and begins to play if in fast forward, or it begins to play if in rewind.

*CONTINUED*

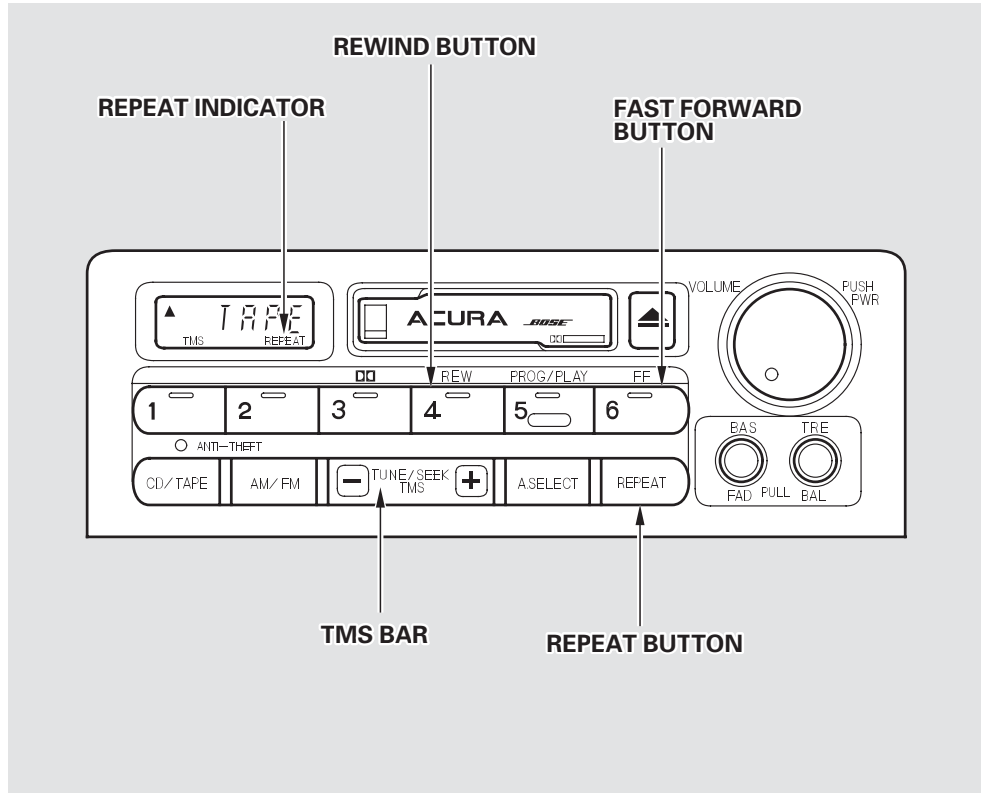
## Audio System

**TMS** — The Tape Music Search Function allows you to find the beginning of a song or passage. To activate TMS, push either side of the TMS bar (- or +). To find the beginning of the song or passage currently playing, push the bar on the - side. You will see TMS indicator and the indicator in the REW button flashing. To find the beginning of the next song, push the bar on the + side. You will see TMS indicator and the indicator in the FF button flashing.



**REPEAT** — The Repeat function continuously replays the current song or passage. Press the REPEAT button to activate it; you will see REPEAT displayed as a reminder. When the system reaches the end of the song or passage currently playing, it will automatically go into rewind. When it senses the beginning of the same song or passage, the system returns to PLAY mode. It will continue to repeat this same program until you deactivate REPEAT by pressing the button again. Pressing the REW or FF button also turns off REPEAT.

The TMS and REPEAT functions use silent periods on the tape to find the end of a song or passage. These features may not work to your satisfaction if there is almost no gap between selections, a high noise level between selections, or a silent period in the middle of a selection.



## Audio System

---

### Caring for the Cassette Player

The cassette player picks up dirt and oxides from the tape. This contamination builds up over time and causes the sound quality to degrade. To prevent this, you should clean the player after every 30 hours of use. Your dealer has a cleaning kit available.

If you do not clean the cassette player regularly, it may eventually become impossible to remove the contamination with a normal cleaning kit.

Use 100-minute or shorter cassettes. Cassettes longer than that use thinner tape that may break or jam the drive.

Look at the cassette before you insert it. If the tape is loose, tighten it by turning a hub with a pencil or your finger.

If the label is peeling off, remove it from the cassette or it could cause the cassette to jam in the player. Never try to insert a warped or damaged cassette in the player.

When they are not in use, store cassettes in their cases to protect them from dust and moisture. Never place cassettes where they will be exposed to direct sunlight, high heat, or high humidity. If a cassette is exposed to extreme heat or cold, let it reach a moderate temperature before inserting it in the player.

Never try to insert foreign objects into the cassette player.

If you see the error indication “TAPER” (3.5 RL with navigation system)/“TAP” (3.5 RL without navigation system) on the display, press the EJECT button to remove the cassette from the unit. Make sure the tape is not damaged. If the cassette will not eject or the error indication stays on after the cassette ejects, take the car to your Acura dealer.

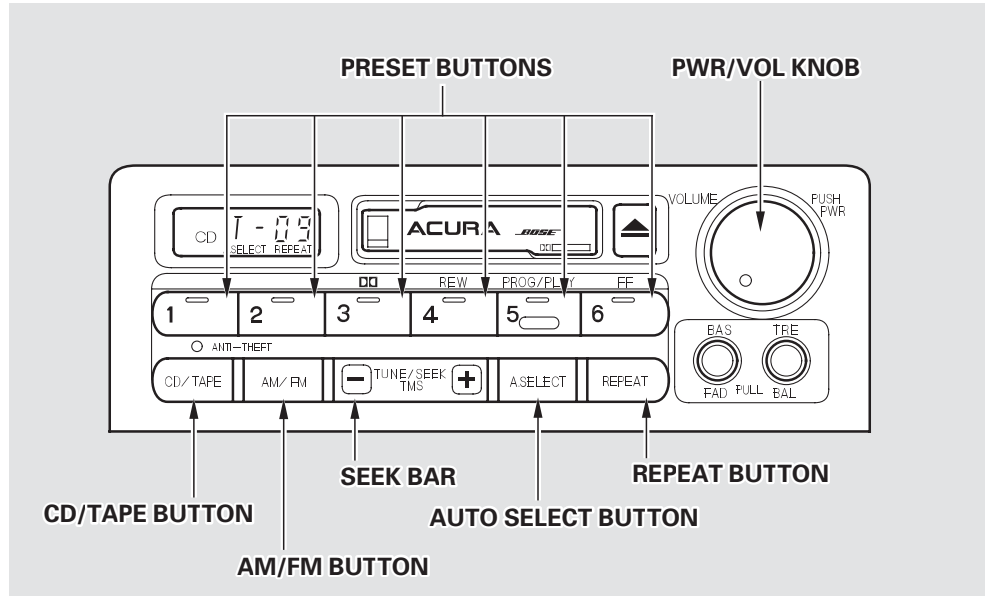
## Operating the CD Changer

A Compact Disc changer is standard equipment. It holds up to six discs, providing several hours of continuous entertainment. You operate the CD changer with the same controls used for the radio and cassette player.

To load the CDs in the magazine and load the magazine into the CD changer, refer to page 159. Play only standard round discs. Odd-shaped CDs may jam in the drive or cause other problems.

Do not play discs with disc accessories such as protective seals or rubbers. Using them may also cause the audio system to malfunction.

To operate the CD changer, the ignition switch must be in ACCESSORY (I) or ON (II).



Select the CD mode by pressing the CD/TAPE button. You will see “CD” in the display. The system will start to play the first track of the first disc in the magazine. You will see the disc and track number displayed.

When that disc ends, the next disc in the magazine is loaded and played. After the last disc finishes, the system returns to disc 1.

*CONTINUED*



## Audio System

---

To select a different disc, press the appropriate preset button (1–6). If you select an empty slot in the magazine, the changer will, after finding that slot empty, try to load the CD in the next slot. This continues until it finds a CD to load and play.

You can use the SEEK bar to select tracks within a disc. If you push and release either side of the SEEK bar (– or +), the system will move to the beginning of a track. Push the + button to move to the beginning of the next track, and push the – button to move to the beginning of the current track.

If you push and hold the SEEK bar (– or +), you will hear a beep and the system will continue to move across tracks. Release the button when you think it has reached the desired place on the disc.

**REPEAT** — When you activate the Repeat feature by pressing the REPEAT button, the system continuously replays the current track. You will see REPEAT in the display as a reminder. Press the REPEAT button again to turn it off.

**RANDOM PLAY** — This feature, when activated, plays the tracks on a CD in random order, rather than in the order they are recorded on the CD. To activate Random Play, press the A. SELECT button. You will see A. SELECT in the display. The system will then select and play tracks randomly on the current disc. When all tracks on that disc have been played, the next disc is loaded and

played randomly. This continues until you deactivate Random Play by pressing A. SELECT again.

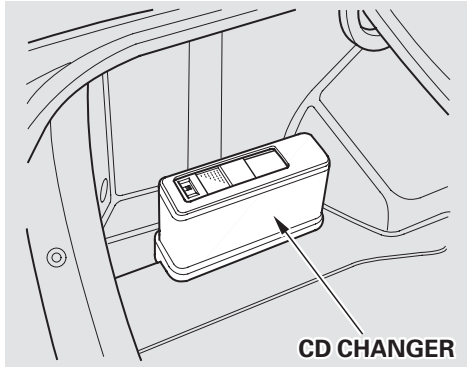
To take the system out of CD mode, press the AM/FM button or insert a cassette in the player. If a tape is already in the cassette player, press the CD/TAPE button. When you return to CD mode, play will continue at the same point that it left off.

If you turn the system off while a CD is playing, either with the PWR/VOL knob or the ignition switch, play will continue at the same point when you turn it back on.

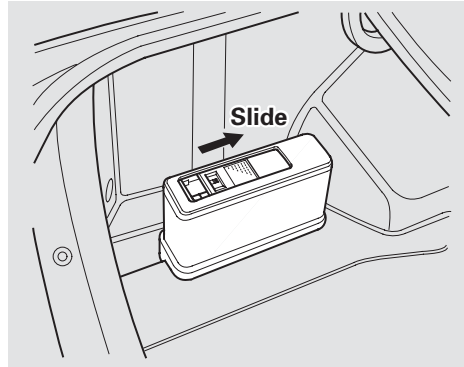
### **Protecting Compact Discs**

For information on how to handle and protect compact discs, see page [153](#).

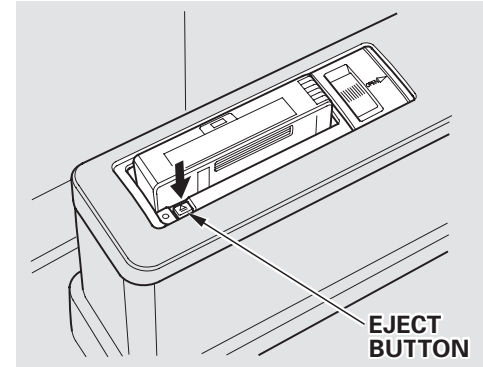
## Loading the CD Changer



The CD changer is located in the trunk on the driver's side.



1. Slide the lid to open the CD changer.

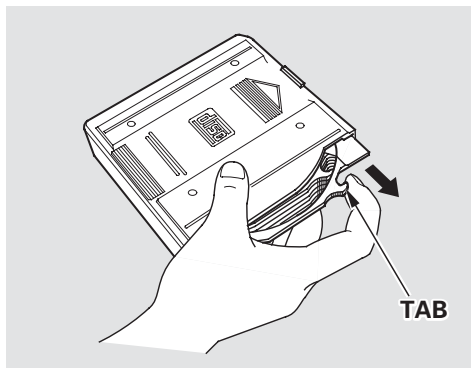


2. Push the EJECT button to remove the CD magazine. The magazine will pop up automatically.

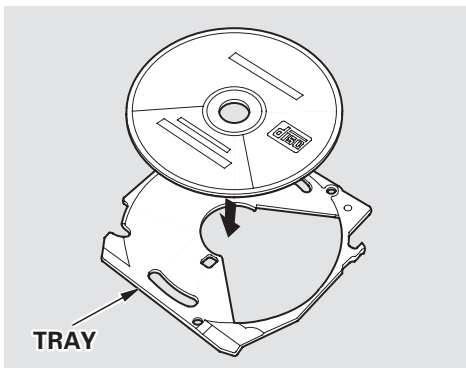
*CONTINUED*

## Audio System

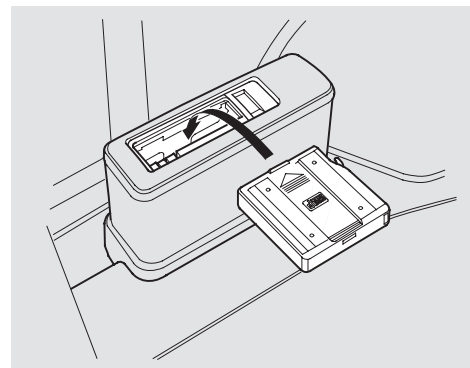
---



3. To install a CD, pull the tab out to remove the tray from the magazine.

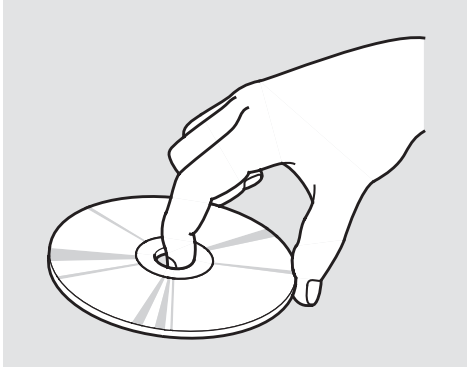


4. Put a CD on a tray with the printed surface up as shown.  
5. Reinstall the tray in the magazine. Repeat this procedure for the other five trays.

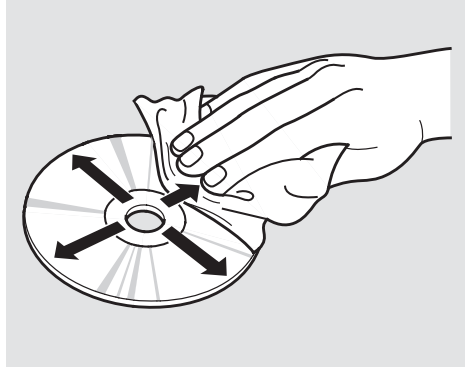


6. Store all six trays in the magazine, and then reinstall the magazine in the CD changer as shown in the illustration.  
7. Slide the lid closed until it clicks.

## Protecting Compact Discs

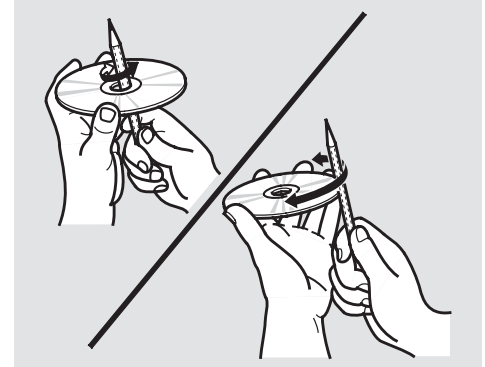


Handle a CD by its edges; never touch either surface. Contamination from fingerprints, liquids, felt-tip pens, and labels can cause the CD to not play properly, or possibly jam in the drive.



When a CD is not being played, store it in its case to protect it from dust and other contamination. To prevent warpage, keep CDs out of direct sunlight and extreme heat.

To clean a disc, use a clean soft cloth. Wipe across the disc from the center to the outside edge.



A new CD may be rough on the inner and outer edges. The small plastic pieces causing this roughness can flake off and fall on the recording surface of the disc, causing skipping or other problems. Remove these pieces by rubbing the inner and outer edges with the side of a pencil or pen.

Never try to insert foreign objects in the CD player or the magazine.

## Audio System

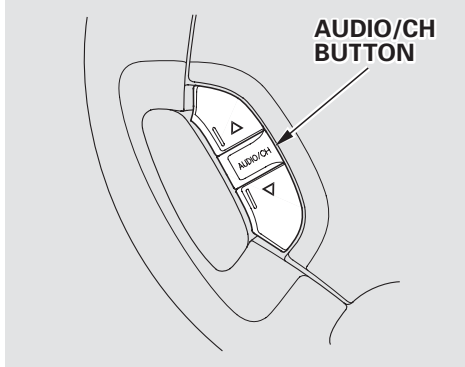
---

### CD Changer Error Indications

If you see an error indication in the display while operating the CD changer, find the cause in the chart to the right. If you cannot clear the error indication, take the car to your Acura dealer.

Indication	Cause	Solution
<b>EOI</b>	Disc-changer malfunction.	Press the magazine eject button. If the magazine does not eject, consult your Acura dealer.
<b>--H</b>	High temperature.	Will disappear when the temperature returns to normal.
<b>EEE</b>	Misconnection or disconnection of CD changer.	See your Acura dealer.
<b>---</b>	No CD magazine in the CD changer.	Insert a CD magazine.
<b>T-00<sup>DISC</sup>0</b>	No CD in magazine.	Insert a CD in the magazine.

## Remote Audio Controls



Two controls for the audio system are mounted in the steering wheel hub. These let you control basic functions without removing your hand from the wheel.

The top and bottom buttons adjust the volume up (▲) or down (▼). Press the proper button and hold it until the desired volume is reached, then release it.

The AUDIO/CH button has three functions, depending on whether you are listening to the radio, or playing a cassette or CD.

If you are listening to the radio, use the AUDIO/CH button to change stations. Each time you press this button, the system advances to the next preset station on the band you are listening to. You will see the number of the selected Preset button in the display. To change bands, press the AM/FM button on the audio system's front panel.

If you are playing a cassette, use the AUDIO/CH button to advance to the next selection. You will see "FF" blinking in the display when you press the AUDIO/CH button. The system fast forwards until it senses a silent period, then goes back to PLAY.

If you are playing a CD, the system skips to the beginning of the next track each time you push the AUDIO/CH button. You will see the disc and track number in the display.

## Audio System

---

### Theft Protection

Your car's audio system will disable itself if it is disconnected from electrical power for any reason. To make it work again, the user must enter a specific five-digit code in the Preset buttons. Because there are hundreds of number combinations possible from five digits, making the system work without knowing the exact code is nearly impossible.

You should have received a card that lists your audio system's code number and serial number. It is best to store this card in a safe place at home. In addition, you should write the audio system's serial number in this Owner's Manual. If you should happen to lose the card, you must obtain the code number from your Acura dealer. To do this, you will need the system's serial number.

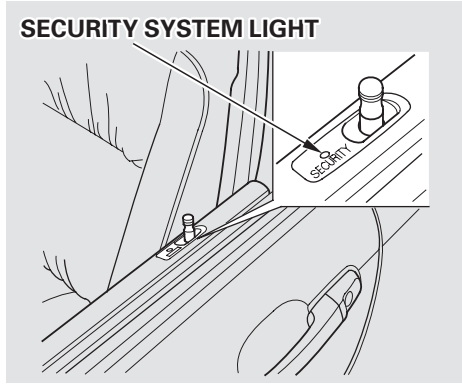
If your car's battery is disconnected or goes dead, or the radio fuse is removed, the audio system will disable itself. If this happens, you will see "Code" in the frequency display the next time you turn on the system. Use the Preset buttons to enter the five-digit code. If it is entered correctly, the radio will start playing.

If you make a mistake entering the code, do not start over or try to correct your mistake. Complete the five-digit sequence, then enter the correct code. You have three tries to enter the correct code. If you are unsuccessful in three attempts, you must then leave the system on for one hour before trying again.

You will have to store your favorite stations in the Preset buttons after the system begins working. Your original settings were lost when power was disconnected.

The security system helps to protect your car and valuables from theft. The horn sounds and a combination of headlights, parking lights, side marker lights and taillights flashes if someone attempts to break into your car or remove the radio. This alarm continues for two minutes, then the system resets. To reset an alarming system before the two minutes have elapsed, unlock either front door with the key or the remote transmitter.

The security system sets automatically fifteen seconds after you lock the doors, hood, and trunk. For the system to activate, you must lock the doors from the outside with the key, lock tab, door lock switch, or remote transmitter. The security system light next to the driver's door lock starts blinking immediately to show you the system is setting itself.



Once the security system is set, opening any door (without using the key or the remote transmitter), or the hood, will cause it to alarm. It also alarms if the radio is removed from the dashboard or the wiring is cut.

With the system set, you can still open the trunk with the master key or the remote transmitter without triggering the alarm. The alarm will sound if the trunk lock is forced, or the trunk is opened with the trunk release button on the driver's door.

The security system will not set if the hood, trunk, or any door is not fully closed. If the system will not set, check the Door and Brake Lamp Monitor on the instrument panel (see page 57), to see if the doors and trunk are fully closed. Since it is not part of the monitor display, manually check the hood.

Do not attempt to alter this system or add other devices to it.



## Cruise Control

Cruise control allows you to maintain a set speed above 25 mph (40 km/h) without keeping your foot on the accelerator pedal. It should be used for cruising on straight, open highways. It is not recommended for conditions such as city driving, winding roads, slippery roads, heavy rain, or bad weather. You should have full control of the car under those conditions.

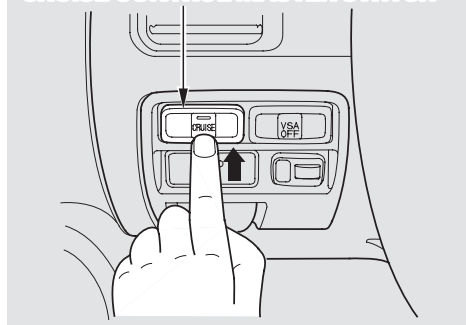
### **⚠ WARNING**

Improper use of the cruise control can lead to a crash.

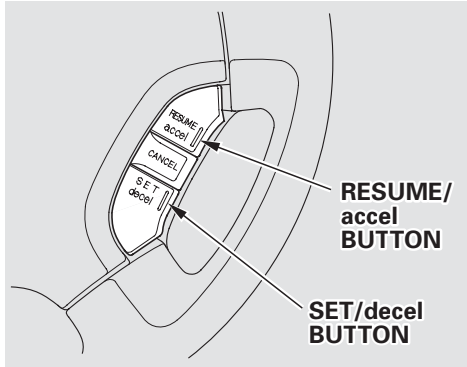
Use the cruise control only when traveling on open highways in good weather.

### *Using the Cruise Control*

#### **CRUISE CONTROL MASTER SWITCH**



1. Push in the Cruise Control Master Switch to the left of the steering column. The indicator in the switch will light.
2. Accelerate to the desired cruising speed above 25 mph (40 km/h).



3. Press and release the SET/decel button on the steering wheel. The CRUISE CONTROL light on the instrument panel comes on to show the system is now activated.

The cruise control may not hold the set speed when you are going up and down hills. If your speed increases going down a hill, use the brakes to slow down to the desired speed. This will cancel the cruise control. To resume the set speed, press the RESUME/accel button. The CRUISE CONTROL light on the instrument panel comes on.

When climbing a steep hill, the automatic transmission may downshift to hold the set speed.

## ***Changing the Set Speed***

You can increase the set cruising speed in any of these ways:

- Press and hold the RESUME/accel button. The car will accelerate. When you reach the desired cruising speed, release the button.
- Push on the accelerator pedal. Accelerate to the desired cruising speed and press the SET/decel button.
- To increase your speed in very small amounts, tap the RESUME/accel button repeatedly. Each time you do this, your car will speed up about 1 mph (1.6 km/h).

*CONTINUED*

## Cruise Control

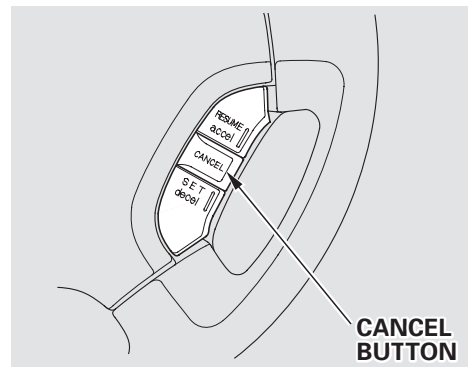
You can decrease the set cruising speed in any of these ways:

- Press and hold the SET/decel button. The car will decelerate. Release the button when you reach the desired speed.
- Tap the brake pedal lightly with your foot. The CRUISE CONTROL light on the instrument panel will go out. When the car slows to the desired speed, press the SET/decel button. The car will then maintain the desired speed.
- To slow down in very small amounts, tap the SET/decel button repeatedly. Each time you do this, your car will slow down about 1 mph (1.6 km/h).

Even with the cruise control turned on, you can still use the accelerator pedal to speed up for passing. After completing the pass, take your foot off the accelerator pedal. The car will return to the set cruising speed.

Resting your foot on the brake pedal will cause the cruise control to cancel.

### *Canceling the Cruise Control*



You can cancel the cruise control in any of these ways:

- Tap the brake pedal.
- Push the CANCEL button on the steering wheel.
- Press the Cruise Control Master Switch.

When you push the CANCEL button, or tap the brake pedal, the CRUISE CONTROL light on the instrument panel will go out and the car will begin to slow down. You can use the accelerator pedal in the normal way.

The system remembers the previously-set cruising speed. To return to that speed, accelerate to above 25 mph (40 km/h), then press and release the RESUME/accel button. The CRUISE CONTROL light comes on, and the car will accelerate to the same cruising speed as before.

Pressing the Cruise Control Master Switch turns the system completely off and erases the previous cruising speed from memory. To use the system again, refer to *Using the Cruise Control*.

# HomeLink Universal Transceiver

---

The HomeLink Universal Transceiver built into your car can be programmed to operate remotely-controlled devices around your home, such as garage doors, lighting, or home security systems. It can replace up to three remote transmitters.

## Customer Assistance

If you have problems with training the HomeLink Universal Transceiver, or would like information on home products that can be operated by the transmitter, call (800) 355-3515. On the Internet, go to [www.homelink.com](http://www.homelink.com).

## Important Safety Precautions

Always refer to the operating instructions and safety information that came with your garage door opener or other equipment you intend to operate with the HomeLink Universal Transceiver. If you do not have this information, you should contact the manufacturer of the equipment.

While training or using HomeLink, make sure you have a clear view of the garage door or gate, and that no one will be injured by its movement.

## General Information

If you are training HomeLink to operate a garage door or gate, it is recommended that you unplug the motor for that device during training. Repeatedly pressing the remote control button could burn out the motor.

HomeLink stores the code in a permanent memory. There should be no need to retrain HomeLink if your car's battery goes dead or is disconnected.

If your garage door opener was manufactured before April 1982, you may not be able to program HomeLink to operate it. Garage door openers manufactured before that date do not have a safety feature that causes them to stop and reverse if an obstacle is detected during closing, increasing the risk of injury. If you have questions, call (800) 355-3515.

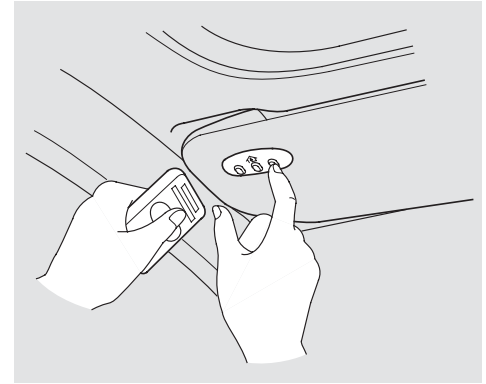
## Training HomeLink

Before you can use HomeLink to operate devices around your home, it must “learn” the proper codes. For example, to train HomeLink to open and close the garage door:

**Before you begin** — If you just took delivery of your vehicle and have not trained any of the buttons in HomeLink before, you should erase any previously learned codes before training the first button. To do this, press and hold the two outside buttons on the HomeLink transceiver for about 20 seconds, until the red light flashes. Release the buttons, then proceed to Step 1.

If you are training the second or third buttons, go directly to Step 1.

1. Unplug the garage door opener motor from the house current.
2. Hold the end of the garage door opener remote control 2 to 5 inches from HomeLink. Make sure you are not blocking your view of the red light in HomeLink.



3. Select the HomeLink button you want to train.
4. Press the button on the remote control and the button on HomeLink at the same time. Hold down both buttons.

*CONTINUED*

# HomeLink Universal Transceiver

---

## *Canadian Owners:*

The remote control you are training from may stop transmitting after two seconds. This is not long enough for HomeLink to learn the code. Release and press the button on the remote control every two seconds until HomeLink has learned the code.

5. The red light in HomeLink should begin flashing. It will flash slowly at first, then rapidly.
6. When the red light flashes rapidly, release both buttons. HomeLink should have learned the code from the remote control.
7. Plug in the garage door opener motor, then test the HomeLink transceiver button by pushing it. It should operate the garage door.

If the button does not work, repeat this procedure to train it again. If it still does not work, you may have a

variable or rolling code garage door opener. Test this by pressing and holding the HomeLink transceiver button you just trained. If the red light blinks for two seconds, then stays on, you have a rolling code garage door opener. You may be able to verify this with the manufacturer's documentation. Go to "Training With a Rolling Code System."

8. Repeat these steps to train the other two HomeLink buttons to operate any other remotely-controlled devices around your home (lighting, automatic gate, security system, etc.).

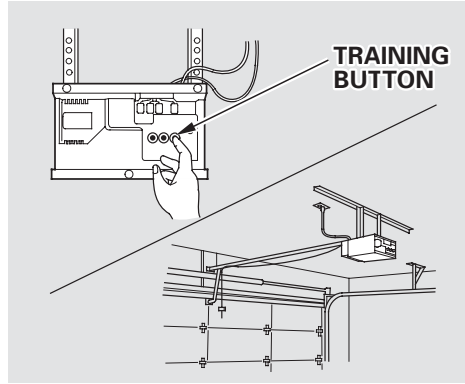
## **Training With a Rolling Code System**

For security purposes, newer garage door opening systems use a "rolling" or variable code. Information from the remote control and the garage door opener are needed before HomeLink can operate the garage door opener.

The "Training HomeLink" procedure trains HomeLink to the proper garage door opener code. The following procedure synchronizes HomeLink to the garage door opener so they send and receive the correct codes.

It may be helpful to have someone assist you with this procedure.

1. Make sure you have properly completed the “Training HomeLink” procedure.
2. Find the “Training” button on your garage door opener unit. The location will vary, depending on the manufacturer. The manufacturer’s documentation may help.



3. Press the Training button on the garage door opener unit until the light next to the button comes on, then release it. The light may blink, or come on and stay on. You then have approximately 30 seconds to complete the following steps.

4. Press and hold the button on HomeLink for 3 – 4 seconds. (The same button you trained with the “Training HomeLink” procedure.)
5. Press and hold the HomeLink button again for 3 – 4 seconds. This should turn off the training light on the garage door opener unit. (Some systems may require you to press the button up to three times.)
6. Press the HomeLink button again. It should operate the garage door.



# HomeLink Universal Transceiver

---

## Retraining a Button

To train an already programmed HomeLink button to operate a new device:

1. Select the HomeLink button you want to train.
2. Press and hold the HomeLink button until the red light begins to flash slowly (approximately 20 seconds).
3. While continuing to hold the HomeLink button, place the remote control for the device 2 to 5 inches from HomeLink.
4. Press and hold the button on the remote control. Hold both buttons until the red light begins to flash rapidly.

5. Release both buttons. HomeLink should now be trained to operate the device.

## Erasing Codes

To erase the codes stored in all three buttons, press and hold the two outside buttons until the red light begins to flash, then release the buttons.

You should erase all three codes before selling the car.

*As required by the FCC:*

*This device complies with Part 15 of the FCC rules. Operation is subject to the following two conditions: (1) This device may not cause harmful interference, and (2) this device must accept any interference received, including interference that may cause undesired operation.*

*Changes or modifications not expressly approved by the party responsible for compliance could void the user's authority to operate the equipment.*

*This device complies with Industry Canada Standard RSS-210. Operation is subject to the following two conditions: (1) this device may not cause interference, and (2) this device must accept any interference that may cause undesired operation of the device.*

The OnStar® system in your vehicle gives you immediate access to a wide range of services and information with the touch of a button. An OnStar advisor is available 24 hours a day, 7 days a week.

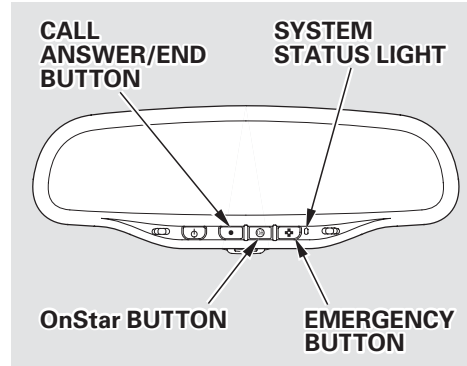
The basic Safety & Security Plan provides:

- Roadside Assistance.
- Emergency Services.
- Automatic Notification of Airbag Deployment.
- Accident Assist.
- Remote Door Locking/Unlocking.
- Stolen Vehicle Tracking.
- Misplaced Vehicle Assistance.

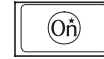
The Premium Service Plan provides these additional features:

- Route Support.
- Ride Assist.
- Information and Convenience Services.
- Concierge Services.

## OnStar Control Panel



The OnStar control buttons and indicator are located in the base of the rear view mirror.



## OnStar Services Button

Press this button to contact an OnStar advisor. You will hear a chime, followed by the announcement, "Connecting to OnStar." The connection should take 20 to 30 seconds. The advisor will assist you with any of the services included in your plan.

Depending on what service you request, you may need to give your Personal Identification Number (PIN) to the advisor. Your PIN is a number you make up and provide when you establish your OnStar service.

If cellular telephone service is not available in the area you are driving in, you will hear a fast busy signal. The system will retry the connection several times before returning to the ready mode.

*CONTINUED*

## OnStar System

---

To cancel these retries, press the Call Answer/End (DOT) button.

A microphone is located in the base of the rear view mirror so you can speak to the advisor without taking your hands off the steering wheel or diverting your attention from the road. The OnStar advisor's voice comes from the audio system's speakers. Use the volume control on the audio system or on the steering wheel to adjust the volume.

### **Emergency Button**

Press this button to contact an OnStar advisor only if you have an emergency situation. You will hear a tone, followed by the announcement, "Connecting to OnStar Emergency." Your call is given highest priority.

The advisor will ask about the nature of the emergency, locate your vehicle, and notify the appropriate emergency service agencies.

If you press this button accidentally, do not cancel the call. Wait until the OnStar advisor answers, then explain your mistake.

### **Call Answer/End Button**

Press this "DOT" button to end a call to the OnStar advisor, or to cancel the call if you should press one of the other buttons accidentally. If the OnStar center should call you, press this button to answer the call.

This button is also used to initiate the Personal Calling and Virtual Advisor services, if you have subscribed.

### **System Status Light**

This light shows you the status of the system.

**Solid Green** — The system is ready for use.

**Blinking Green** — A call is in progress.

**Solid Red** — There is a problem in the system. Press the OnStar button to contact an advisor. If the call connects, the advisor will assist you with verifying the system's operation. If you are not able to contact an advisor, take your vehicle to an Acura dealer to have the system diagnosed.

**Blinking Red** — There is a problem in the system with a call in progress.

## **Safety and Security Plan Features**

The OnStar system uses the Global Positioning System (GPS) to locate your vehicle whenever you place a call. This allows the advisor to quickly contact the nearest services without requiring you to provide detailed directions.

**Roadside Assistance** — Contact the OnStar advisor if you need assistance with a problem (flat tire, out of fuel, etc.) while traveling. The advisor will contact an appropriate agency to come and assist you.

**Emergency Services** — Contact an OnStar advisor if you have an emergency situation. The advisor will contact the nearest emergency services provider (ambulance, fire department, etc.) and advise them of your situation.

**Automatic Notification of Airbag Deployment** — If you are ever in an accident that causes the airbags to deploy, the OnStar system automatically places a call (provided the OnStar system and your vehicle's electrical system are still intact). The advisor will attempt to speak to you to evaluate the situation, and contact the nearest emergency services provider.

**Accident Assist** — The OnStar advisor can help you if you are ever in a minor accident by giving you a list of information you should collect at the accident scene. Complete, detailed information will make it easier to complete accident reports and insurance claims.

**Remote Door Locking/Unlocking** — By sending a signal to your vehicle, the advisor can lock or unlock your vehicle's doors. This is helpful if you are away from your

vehicle and realize you forgot to lock the doors, or if you have locked the keys in your vehicle. To get OnStar's assistance, call (888) 4-ONSTAR (466-7827).

**Stolen Vehicle Tracking** — Using GPS, OnStar can locate your vehicle almost anywhere. If your vehicle is ever stolen, contact OnStar at (888) 4-ONSTAR. The advisor will put you in contact with the proper authorities, and assist them with locating your vehicle.

**Misplaced Vehicle Assistance** — If you are unable to locate your vehicle in a large parking lot or parking structure, contact OnStar at (888) 4-ONSTAR. The advisor will remotely activate the exterior lights and the horn, allowing you to locate your vehicle.

# OnStar System

---

## **Premium Service Plan Features**

The Premium Service Plan provides these additional features.

**Route Support** — The OnStar advisor can give you verbal directions from your current location to a desired destination.

**Ride Assist** — If you need a ride (taxi, limousine service, etc.) the OnStar advisor can make the arrangements for you. Use the OnStar button or call (888) 4-ONSTAR.

**Information and Convenience Services** — The OnStar advisor can give you information on nearby hotels, restaurants, ATMs, hospitals, gas stations, and many other services in any area you are traveling in. The advisor can also help you with hotel or restaurant reservations.

**Concierge Services** — The OnStar advisor can assist you with purchasing theater tickets, airline tickets, rental car reservations for a vacation, and just about any other purchase you desire.

## **Personal Calling**

The OnStar Personal Calling plan is an extra-cost option that gives you the ability to use your vehicle's OnStar system as a hands-free cellular telephone.

To sign up for Personal Calling, press the OnStar button in your vehicle, and notify the advisor that you'd like to sign up. The advisor will get all the information needed to set up your account, and provide you with your new cellular telephone number.

You will need to provide a credit card number, and prepurchase "units" or minutes of air time (one unit equals

one minute).

**Placing a Telephone Call** — You must use voice commands to give the OnStar system your calling information. To make a phone call:

- Press the Call Answer/End (DOT) Button.
- OnStar will respond with "Ready."
- Say "Dial."
- OnStar will respond with "Number Please."
- Say the first digit of the number.
- OnStar will repeat that digit. Always wait for OnStar to confirm the digit before going to the next digit.
- Say the second digit of the number.
- OnStar will repeat that digit.

- Continue this until you have given OnStar the complete telephone number. Then say “Dial.”
- OnStar will respond with “Dialing” and then repeat the complete telephone number. It will then place the telephone call.
- When you have finished your conversation, press the DOT button again to hang up.

If you make a mistake speaking a digit of the phone number, or the system responds with the wrong digit, say “Clear.” This will cause the system to erase the last digit.

If you need to cancel the phone call attempt before entering the complete phone number, say “Cancel.” The system will cancel the operation and return to Ready.

If the system has difficulty understanding a voice command, it can respond with:

“Pardon” — The system could not match your voice command to one it knows. Repeat the command distinctly.

“Slower please” — The system missed the command because it was not yet ready for it, or there was too much background noise. Repeat the command after a short pause.

**Voice Feedback On/Off** — With voice feedback off, the system will respond with a tone rather than “Ready,” or repeating each number you say. Other responses will still be by voice. To turn voice feedback on or off:

- Press the DOT button.
- OnStar will respond with “Ready.”
- Say “Voice Feedback.”

- OnStar will respond with “Voice feedback On/Off.”

### **Incoming Telephone Calls** —

When someone places a telephone call to you, the audio system will mute and you will hear the ring. Press the DOT button to answer the call. When you have completed the call, press the DOT button again to hang up.

### **Using Nametags**

The OnStar system can store up to twenty 32-digit telephone numbers in its memory. When you store these numbers in its memory, you give each one a nametag. When you want to place a telephone call, you can recall the number by giving the system the nametag.

*CONTINUED*

## OnStar System

---

**Storing a Nametag** — To store a telephone number and its nametag in the system:

- Press the DOT button.
- OnStar will respond with “Ready.”
- Say “Store.”
- OnStar will respond with “Number Please.”
- Say the first digit of the number.
- OnStar will repeat that digit.
- Say the second digit of the number.
- OnStar will repeat that digit.
- Continue this until you have given OnStar the complete telephone number. Then say “Store” again.
- OnStar will respond with “Nametag Please.”

- Say the name that you want assigned to that telephone number.
- OnStar will respond with “Again.”
- Repeat the nametag.
- OnStar will respond with “Once more.”
- Repeat the nametag.
- OnStar will respond with “Storing < nametag >.”

**Placing a Telephone Call** — To place a telephone call using a nametag:

- Press the DOT button.
- OnStar will respond with “Ready.”
- Say “Call.”
- OnStar will respond with “Nametag Please.”
- Say the nametag for the number you want to call.
- OnStar will respond with “Calling < nametag >,” then place the telephone call.

If you have forgotten what nametags you have stored, the system will read them to you. Press the DOT button. When the system responds with “Ready,” say “Directory.”

**Deleting a Nametag** — To delete a nametag and telephone number from memory:

- Press the DOT button.
- OnStar will respond with “Ready.”
- Say “Delete.”
- OnStar will respond with “Nametag Please.”

- Say the nametag for the number you want to delete.
- OnStar will respond with “Delete < nametag >, Yes or No.”
- Say “Yes.”
- OnStar will respond with “Deleting < nametag >.”

**Redialing a Number** — To redial the last telephone number you called:

- Press the DOT button.
- OnStar will respond with “Ready.”
- Say “Redial.”
- OnStar will respond with “Redialing,” then place the telephone call.

## Security Code

By giving the system a security code that you make up, you can lock out the Personal Calling and Virtual Advisor capabilities of the system so unauthorized people cannot make telephone calls. To turn security on

or off:

- Press the DOT button.
- OnStar will respond with “Ready.”
- Say “Security.”
- OnStar will respond with “Enter four-digit security code.”
- Say the first digit of the code.
- OnStar will repeat that digit.
- Say the second digit of the code.
- OnStar will repeat that digit.
- Say the third digit of the code.
- OnStar will repeat that digit.
- Say the fourth digit of the code.
- OnStar will respond with “Security code < number > is now ON/OFF.”

If you forget the security code entered, or someone else enters a security code unknown to you, you must contact an OnStar advisor to reset the code. Press the OnStar button, or call (888) 4-ONSTAR.

## Keeping Track of Units

You must prepurchase units (minutes) of cellular air time. The OnStar system tracks how many units you have remaining.

To find out how many units you have remaining:

- Press the DOT button.
- OnStar will respond with “Ready.”
- Say “Units.”

*CONTINUED*



## OnStar System

---

- OnStar will respond with “Verify or add.”
- Say “Verify.”
- OnStar will respond with “You have <number> units remaining.”

**Adding Units** — To purchase more units of cellular air time:

- Press the DOT button.
- OnStar will respond with “Ready.”
- Say “Units.”
- OnStar will respond with “Verify or add.”
- Say “Add.”
- OnStar will connect you to an advisor to handle your purchase.

You can also call OnStar at (888) 4-ONSTAR, or get information about your account at the OnStar web site, [www.onstar.com](http://www.onstar.com).

### OnStar Virtual Advisor

For an additional fee, you can also enjoy the benefits of Virtual Advisor. This feature lets you hear information in your vehicle about weather, sports, news, and stocks. It is even possible to have your e-mail read to you.

Although Virtual Advisor can provide information on many subjects, you can set up a customized profile with OnStar that makes it easier to get information about areas that are of specific interest to you. To do this, you must go to the OnStar web site, [www.onstar.com](http://www.onstar.com). This is a secure site; you will need your account number and PIN to access your account information and to design your customized profile.

If you do not have Internet access, a default profile can be set up for you.

To use the Virtual Advisor from your vehicle:

- Press the DOT button.
- OnStar will respond with “Ready.”
- Say “Virtual Advisor.”

The system will connect you to the Virtual Advisor. The Virtual Advisor will prompt you for the information you desire.

If you would like to hear a list of voice commands that are available, say “Help.” OnStar is continually upgrading the system, and new commands become available.

### **Personal Identification Number**

You make up and provide your Personal Identification Number (PIN) when you establish your account with OnStar. You should write down your PIN and keep it with you at all times.

You can change your PIN at any time. Contact the OnStar advisor by pressing the OnStar button, or by calling (888) 4-ONSTAR.

If you forget your PIN, contact the OnStar advisor. For security reasons, your PIN will be mailed to you.

### **System Limitations**

OnStar uses the Global Positioning System (GPS) to locate your vehicle for functions such as route guidance and roadside assistance. GPS is affected by structures that can obstruct the signal, such as tunnels, parking structures, and tall buildings. It may not be possible for OnStar to pinpoint your location if you are in or near such structures.

OnStar uses cellular technology to communicate with your vehicle. Cellular coverage varies by location, which may affect the ability to establish a connection, or the quality of the connection.

When you turn off your vehicle's ignition, the OnStar system goes into low-power mode. After 48 hours, it switches to sleep mode to conserve your vehicle's battery power. Features such as remote door unlocking and misplaced vehicle assistance will not work after your vehicle has been parked for more than 48 hours.



Before you begin driving your Acura, you should know what gasoline to use, and how to check the levels of important fluids. You also need to know how to properly store luggage or packages. The information in this section will help you. If you plan to add any accessories to your car, please read the information in this section first.

Break-in Period .....	178
Gasoline .....	178
Service Station Procedures .....	179
Filling the Fuel Tank.....	179
Opening the Hood .....	180
Oil Check.....	181
Engine Coolant Check .....	182
Fuel Economy .....	183
Car Condition .....	183
Driving Habits.....	183
Accessories and Modifications ....	184
Carrying Cargo .....	186

## Break-in Period, Gasoline

---

### Break-in Period

Help assure your car's future reliability and performance by paying extra attention to how you drive during the first 600 miles (1,000 km). During this period:

- Avoid full-throttle starts and rapid acceleration.
- Avoid hard braking. New brakes need to be broken-in by moderate use for the first 200 miles (300 km).
- Do not change the oil until the recommended time or mileage interval shown in the maintenance schedule.

You should follow these same recommendations with an overhauled or exchanged engine, or when the brakes are relined.

### Gasoline

Your Acura is designed to operate on premium unleaded gasoline with a pump octane number of 91 or higher.

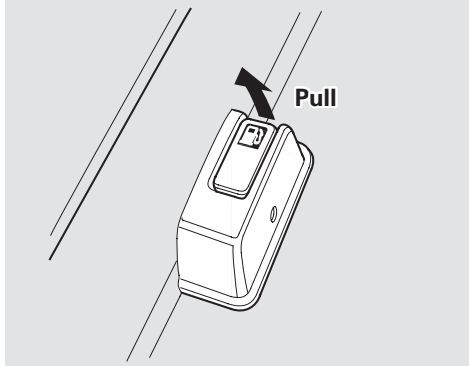
If you are unable to find premium unleaded gasoline, you may substitute an unleaded regular gasoline. The engine will compensate for the lower octane, but you may notice a slight decrease in power as a result.

We recommend gasolines containing detergent additives that help prevent fuel system and engine deposits.

Using gasoline containing lead will damage your car's emissions controls. This contributes to air pollution.

In Canada, some gasolines contain an octane-enhancing additive called MMT. If you use such gasolines, your emissions control system performance may deteriorate and the Malfunction Indicator Lamp on your instrument panel may turn on. If this happens, contact your authorized Acura dealer for service.

## Filling the Fuel Tank

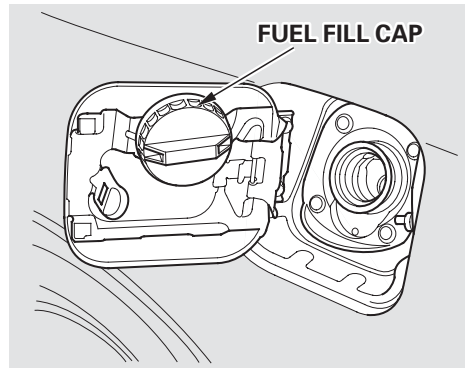


1. Because the fuel fill cap is on the driver's side of the car, park with that side closest to the service station pumps.
2. Open the fuel fill door by pulling on the handle to the left of the driver's seat.

## **▲WARNING**

Gasoline is highly flammable and explosive. You can be burned or seriously injured when handling fuel.

- Stop the engine and keep heat, sparks, and flame away.
- Handle fuel only outdoors.
- Wipe up spills immediately.



3. Remove the fuel fill cap slowly. You may hear a hissing sound as pressure inside the tank escapes. Place the cap in the holder on the fuel fill door.
4. Stop filling the tank after the fuel nozzle automatically clicks off. Do not try to "top off" the tank, leave some room for the fuel to expand with temperature changes.

Your car has an on-board refueling vapor recovery system to help keep fuel vapors from going into the atmosphere. If the fuel nozzle keeps clicking off even though the tank is not full, there may be a problem with this system. Consult your dealer.

*CONTINUED*

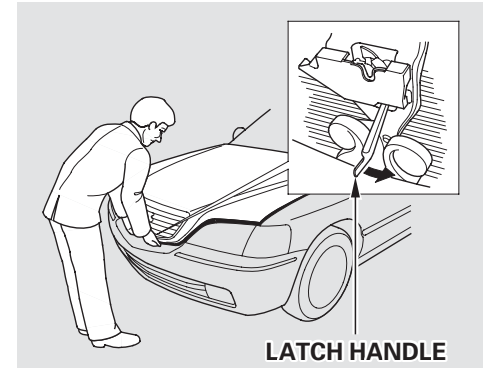
## Service Station Procedures

5. Screw the fuel fill cap back on, tighten it until it clicks several times. If you do not properly tighten the cap, the Malfunction Indicator Lamp may come on (see page 297 ).
6. Push the fuel fill door closed until it latches.

### Opening the Hood



1. Shift to Park or Neutral and set the parking brake. Pull the hood release handle located under the lower left corner of the dashboard. The hood will pop up slightly.



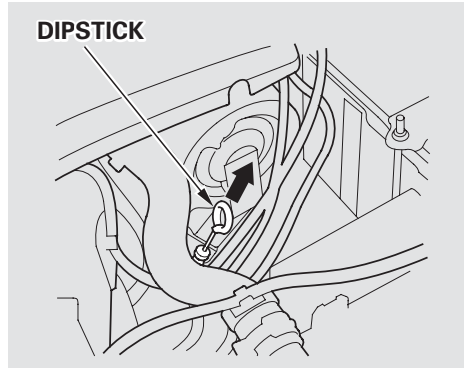
2. Standing in front of the car, reach in between the hood and the front bumper with your finger. Slide the latch handle.

If you can open the hood without sliding the hood latch handle, or the hood latch handle moves stiffly or does not spring back as before, the mechanism should be cleaned and lubricated (see page 241 ).

3. Lift the hood up most of the way. The hydraulic supports will lift it up the rest of the way and hold it up.

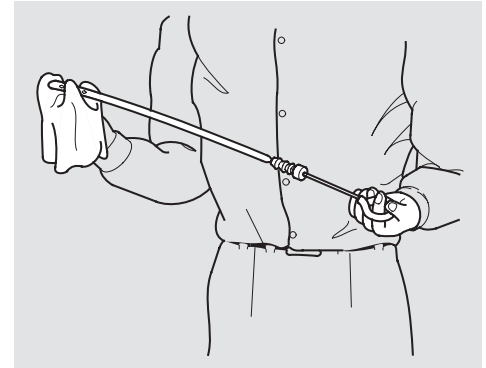
To close the hood, lower it to about a foot (30 cm) above the fender, then press down firmly with your hands. After closing the hood, make sure it is securely latched.

### *Oil Check*



Check the engine oil level every time you fill the vehicle with fuel. Wait a few minutes after turning the engine off before you check the oil.

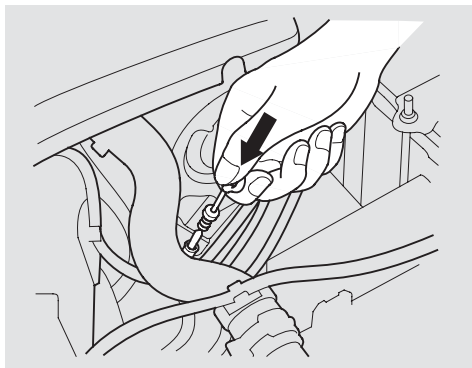
1. Remove the dipstick (orange handle).



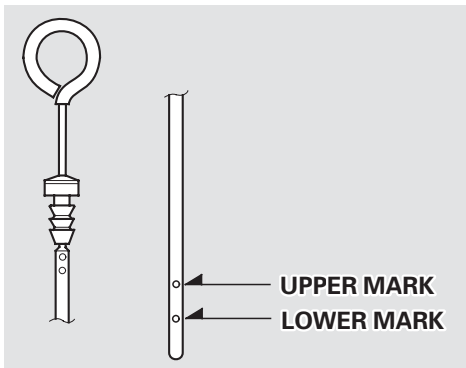
2. Wipe the dipstick with a clean cloth or paper towel.

*CONTINUED*





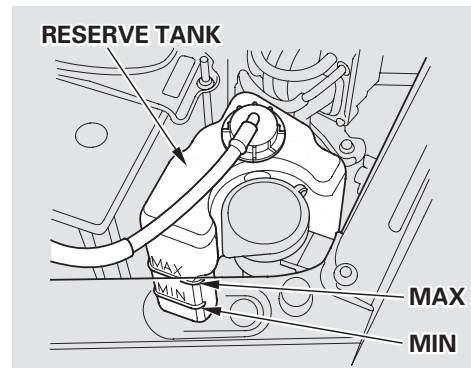
3. Insert it all the way back in its tube.



4. Remove the dipstick again and check the level. It should be between the upper and lower marks.

If it is near or below the lower mark, see **Adding Oil** on page [227](#) .

### *Engine Coolant Check*



Look at the coolant level in the radiator reserve tank. Make sure it is between the MAX and MIN lines. If it is below the MIN line, see **Adding Engine Coolant** on page [231](#) for information on adding the proper coolant.

Refer to **Owner Maintenance Checks** on page [225](#) for information on checking other items in your Acura.

The condition of your car and your driving habits are the two most important things that affect the fuel mileage you get.

### **Car Condition**

Always maintain your car according to the maintenance schedule. This will keep it in top operating condition.

An important part of that maintenance is the **Owner Maintenance Checks** (see page 225). For example, an underinflated tire causes more “rolling resistance,” which uses fuel. It also wears out faster, so check the tire pressure at least monthly.

In winter, the build-up of snow on your car’s underside adds weight and rolling resistance. Frequent cleaning helps your fuel mileage and reduces the chance of corrosion.

### **Driving Habits**

You can improve fuel economy by driving moderately. Rapid acceleration, abrupt cornering, and hard braking use more fuel.

Always drive in the highest gear that allows the engine to run and accelerate smoothly.

Depending on traffic conditions, try to maintain a constant speed. Every time you slow down and speed up, your car uses extra fuel. Use the cruise control, when appropriate, to increase fuel economy.

A cold engine uses more fuel than a warm engine. It is not necessary to “warm-up” a cold engine by letting it idle for a long time. You can drive away in about a minute, no matter how cold it is outside. The engine will warm up faster, and you get better fuel economy. To cut down on the number of “cold starts,” try to combine several short trips into one.

The air conditioning puts an extra load on the engine which makes it use more fuel. Turn off the A/C or set the climate control to a higher temperature to cut down on air conditioning use. Use the flow-through ventilation when the outside air temperature is moderate.

## Accessories and Modifications

---

Modifying your car, or installing some non-Acura accessories, can make your car unsafe. Before you make any modifications or add any accessories, be sure to read the following information.

### Accessories

Your dealer has Genuine Acura accessories that allow you to personalize your car. These accessories have been designed and approved for your car, and are covered by warranty.

Non-Acura accessories are usually designed for universal applications. Although aftermarket accessories may fit on your car, they may not meet factory specifications, and could adversely affect your car's handling and stability. (See "Modifications" on page [185](#) for additional information.)

### **WARNING**

Improper accessories or modifications can affect your car's handling, stability and performance, and cause a crash in which you can be hurt or killed.

Follow all instructions in this owner's manual regarding accessories and modifications.

When properly installed, cellular phones, alarms, two-way radios, and low-powered audio systems should not interfere with your car's computer-controlled systems, such as the SRS and anti-lock brake system.

However, if electronic accessories are improperly installed, or exceed your car's electrical system capacity, they can interfere with the operation of your car, or even cause the airbags to deploy.

Before installing any accessory:

- Make sure the accessory does not obscure any lights, or interfere with proper car operation or performance.
- Be sure electronic accessories do not overload electrical circuits (see page [302](#)).
- Have the installer contact your Acura dealer for assistance before installing any electronic accessory.

If possible, have your dealer inspect the final installation.

### Modifications

Do not remove any original equipment or modify your car in any way that would alter its design or operation. This could make your car unsafe and illegal to drive.

For example, do not make any modifications that would change the ride height of your car, or install wheels and tires with a different overall diameter.

Such modifications can adversely affect handling, and interfere with the operation of the car's anti-lock brakes and other systems.

In addition, any modifications that decrease ground clearance increase the chance of undercarriage parts striking a curb, speed bump, or other raised object, which could cause your airbags to deploy.

Do not modify your steering wheel or any other part of your Supplemental Restraint System. Modifications could make the system ineffective.

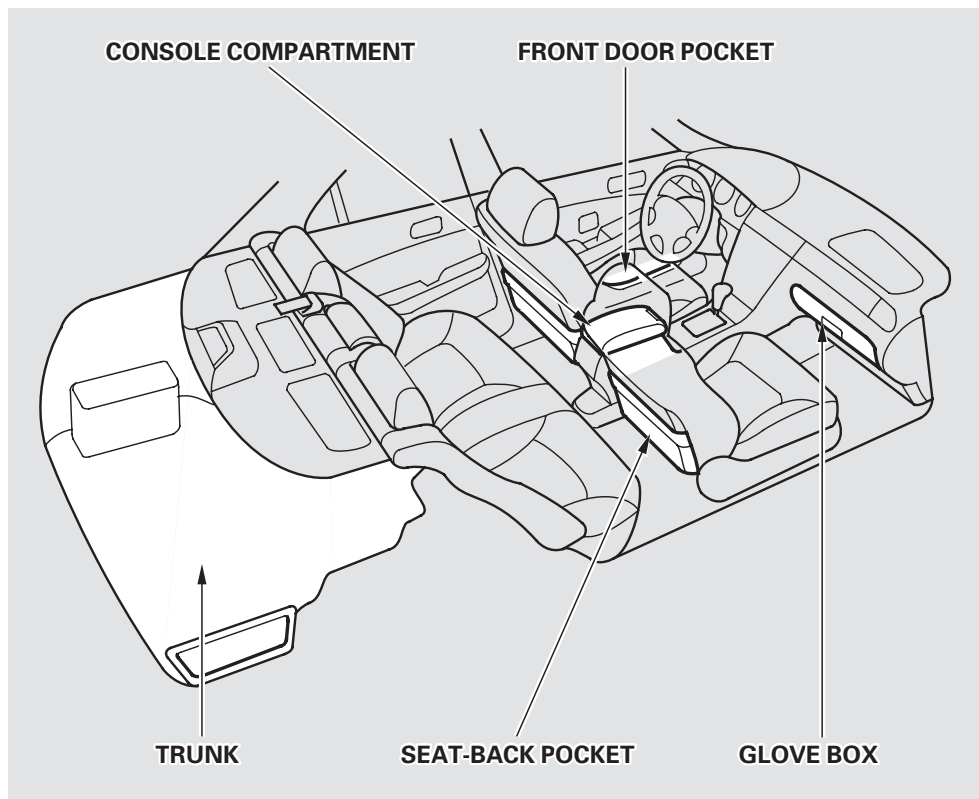
### Additional Safety Precautions

- ***Do not attach or place objects on the front airbag covers.*** Any object attached to or placed on the covers marked "SRS AIRBAG," in the center of the steering wheel and on top of the dashboard, could interfere with the proper operation of the airbags. Or, if the airbags inflate, the objects could be propelled inside the car and hurt someone.

- ***Do not attach hard objects on or near a front door.*** If a side airbag inflates, a cup holder or other hard object attached on or near the door could be propelled inside the car and hurt someone.
- ***Do not place any objects over the outside edge of a front seat-back.*** Covering the outside edge of a front seat-back, with a non-Acura seat cover for example, could prevent the airbag from inflating properly.

## Carrying Cargo

---



Your car has several convenient storage areas so you can stow cargo safely.

The glove box, and the pockets in the front doors and seat-back, are designed for small, lightweight items. The trunk is intended for larger, heavier items.

However, carrying too much cargo, or improperly storing it, can affect your car's handling, stability, and operation and make it unsafe. Before carrying any type of cargo, be sure to read the following pages.

### Load Limit

The maximum load for your car is 850 lbs (395 kg).

This figure includes the total weight of all occupants, cargo, accessories, and the tongue weight if you are towing a trailer.

To figure out how much cargo you can carry:

- Add up the weight of all occupants.
- If you are towing a trailer, add the tongue weight to the number above.
- Subtract the total from 850 lbs (395 kg).

The final number is the total weight of cargo you can carry.

### **▲ WARNING**

Overloading or improper loading can affect handling and stability and cause a crash in which you can be hurt or killed.

Follow all load limits and other loading guidelines in this manual.

### Carrying Items in the Passenger Compartment

- Store or secure all items that could be thrown around and hurt someone during a crash.
- Do not put any items on top of the rear shelf. They can block your view and be thrown around the car during a crash.
- Be sure items placed on the floor behind the front seats cannot roll under the seats and interfere with the driver's ability to operate the pedals, or with the proper operation of the seats.
- Keep the glove box closed while driving. If the lid is open, a passenger could injure their knees during a crash or sudden stop.

## Carrying Cargo

---

### Carrying Cargo in the Trunk or on a Roof Rack

- Distribute cargo evenly on the floor of the trunk, placing the heaviest items on the bottom and as far forward as possible.
- If you carry large items that prevent you from closing the trunk lid, exhaust gas can enter the passenger area. To avoid the possibility of carbon monoxide poisoning, follow the instructions on page [49](#) .
- If you can carry any items on a roof rack, be sure the total weight of the rack and the items does not exceed the maximum allowable weight. Please contact your Acura dealer for further information.

This section gives you tips on starting the engine under various conditions, and how to operate the automatic transmission. It also includes important information on parking your car, the braking system, the Vehicle Stability Assist System, and facts you need if you are planning to tow a trailer.

- Preparing to Drive ..... 190
- Starting the Engine..... 191
  - Starting in Cold Weather at High Altitude ..... 191
- Automatic Transmission..... 192
  - Shift Lever Position Indicator .. 192
  - Shift Lever Positions ..... 192
  - Engine Speed Limiter ..... 194
  - Shift Lock Release..... 195
- Parking ..... 196
- The Braking System..... 197
  - Brake Wear Indicators..... 197
  - Brake System Design..... 198
  - Anti-lock Brakes ..... 198
  - Important Safety Reminders ..... 199
  - ABS Indicator ..... 199
- Vehicle Stability Assist System.... 201
- Driving in Bad Weather ..... 204
- Towing a Trailer ..... 206



## Preparing to Drive

---

You should do the following checks and adjustments every day before you drive your car.

1. Make sure all windows, mirrors, and outside lights are clean and unobstructed. Remove frost, snow, or ice.
2. Check that the hood and trunk are fully closed.
3. Visually check the tires. If a tire looks low, use a gauge to check its pressure.
4. Check that any items you may be carrying with you inside are stored properly or fastened down securely.
5. Check the adjustment of the seat (see page [86](#) ).
6. Check the adjustment of the inside and outside mirrors (see page [91](#) ).
7. Check the adjustment of the steering wheel (see page [71](#) ).
8. Make sure the doors are securely closed and locked.
9. Fasten your seat belt. Check that your passengers have fastened their seat belts (see page [15](#) ).
10. Turn the ignition switch ON (II). Check the indicator lights in the instrument panel.
11. Start the engine (see page [191](#) ).
12. Check the gauges and indicator lights in the instrument panel (see page [53](#) ).

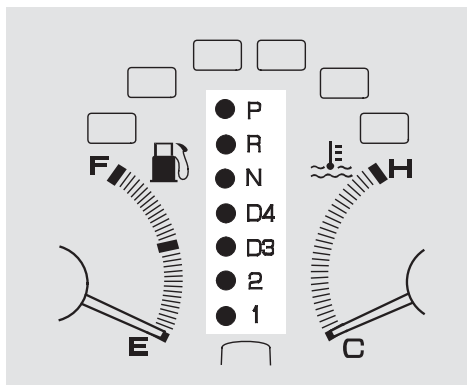
1. Apply the parking brake.
  2. In cold weather, turn off all electrical accessories to reduce the drain on the battery.
  3. Make sure the shift lever is in Park. Press on the brake pedal.
  4. Without touching the accelerator pedal, turn the ignition key to the START (III) position. If the engine does not start right away, do not hold the key in START (III) for more than 15 seconds at a time. Pause for at least 10 seconds before trying again.
  5. If the engine does not start within 15 seconds, or starts but stalls right away, repeat step 4 with the accelerator pedal pressed half-way down. If the engine starts, release pressure on the accelerator pedal so the engine does not race.
  6. If the engine still does not start, press the accelerator pedal all the way down and hold it there while starting in order to clear flooding. As before, keep the ignition key in the START (III) position for no more than 15 seconds. Return to step 5 if the engine does not start. If it starts, lift your foot off the accelerator pedal so the engine does not race.
- Starting in Cold Weather at High Altitude (Above 8,000 feet/ 2,400 meters)**  
An engine is harder to start in cold weather. The thinner air found at high altitude above 8,000 feet (2,400 meters) adds to the problem. Use the following procedure:
1. Turn off all electrical accessories to reduce the drain on the battery.
  2. Push the accelerator pedal half-way to the floor and hold it there while starting the engine. Do not hold the ignition key in START (III) for more than 15 seconds. When the engine starts, release the accelerator pedal gradually as the engine speeds up and smooths out.
  3. If the engine fails to start in step 2, push the accelerator pedal to the floor and hold it there while you try to start the engine for no more than 15 seconds. If the engine does not start, return to step 2.

# Automatic Transmission

Your Acura's transmission has four forward speeds, and is electronically controlled for smoother shifting. It also has a "lock-up" torque converter for better fuel economy. You may feel what seems like another shift when the converter locks.

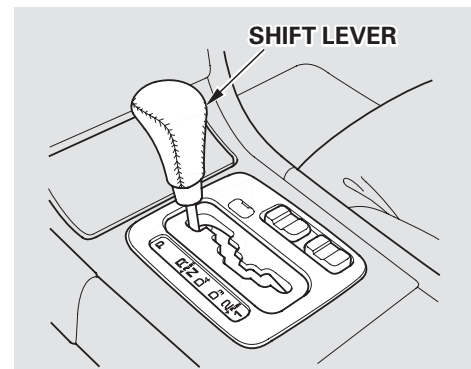
## Shift Lever Position Indicator

This indicator between the fuel gauge and temperature gauge shows which position the shift lever is in.



The "D4" indicator comes on for a few seconds when you turn the ignition switch ON (II). If it flashes while driving (in any shift position), it indicates a possible problem in the transmission. Avoid rapid acceleration and have the transmission checked by an authorized Acura dealer as soon as possible.

## Shift Lever Positions



The shift lever has seven positions. It must be in Park or Neutral to start the engine. When you are stopped in D4, D3, 2, 1, N or R, press firmly on the brake pedal, and keep your foot off the accelerator pedal.

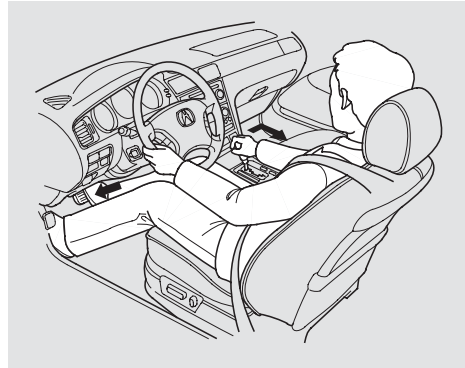
To shift from:	Do this:
P to R	Press the brake pedal.
N to R 2 to 1	Push down on the shift lever.
1 to 2 2 to D <sub>3</sub> D <sub>3</sub> to D <sub>4</sub> D <sub>4</sub> to N D <sub>4</sub> to D <sub>3</sub> D <sub>3</sub> to 2 N to D <sub>4</sub> R to N R to P	Move the lever.

Whenever you move the shift lever, slide it along the guide on the console.

**Park (P)** — This position mechanically locks the transmission. Use Park whenever you are turning off or starting the engine. To shift out of Park, you must press on the brake pedal and have your foot off the accelerator pedal. Move the shift lever to the right to shift out of the

Park position.

If you have done all of the above and still cannot move the lever out of Park, see Shift Lock Release on page 195 .



To avoid transmission damage, come to a complete stop before shifting into Park. The shift lever must be in Park before you can remove the key from the ignition switch.

**Reverse (R)** — To shift to Reverse from Park, see the explanation under Park. To shift to Reverse from Neutral, come to a complete stop and then shift. Push down on the shift lever before shifting into Reverse from Neutral.

**Neutral (N)** — Use Neutral if you need to restart a stalled engine, or if it is necessary to stop briefly with the engine idling. Shift to Park position if you need to leave the car for any reason. Press on the brake pedal when you are moving the shift lever from Neutral to another gear.

*CONTINUED*

## Automatic Transmission

---

**Drive (D4)** – Use this position for your normal driving. The transmission automatically selects a suitable gear for your speed and acceleration. You may notice the transmission shifting up at higher speeds when the engine is cold. This helps the engine warm up faster.

**Drive (D3)** – This position is similar to D4, except only the first three gears are selected. Use D3 when towing a trailer in hilly terrain, or to provide engine braking when going down a steep hill. D3 can also keep the transmission from cycling between third and fourth gears in stop-and-go driving.

For faster acceleration when in D3 or D4, you can get the transmission to automatically downshift by pushing the accelerator pedal to the floor. The transmission will shift down one or two gears, depending on your speed.

**Second (2)** – This position locks the transmission in second gear. It does not downshift to first gear when you come to a stop. Second gives you more power when climbing, and increased engine braking when going down steep hills. Use second gear when starting out on a slippery surface or in deep snow. It will help reduce wheelspin.

**First (1)** – To shift from Second to First, push down on the shift lever. With the lever in this position, the transmission locks in First gear. By upshifting and downshifting through 1, 2, D3 and D4, you can operate this transmission much like a manual transmission without a clutch pedal.

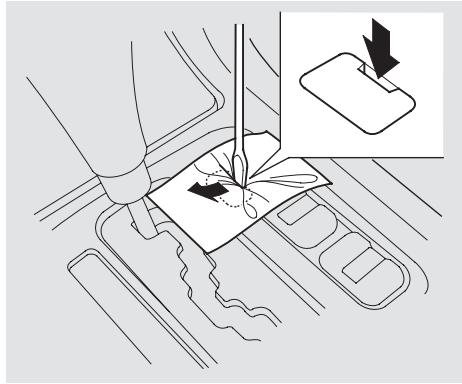
### Engine Speed Limiter

If you exceed the maximum speed for the gear you are in, the engine speed will enter into the tachometer's red zone. If this occurs, you may feel the engine cut in and out. This is caused by a limiter in the engine's computer controls. The engine will run normally when you reduce the RPM below the red zone.

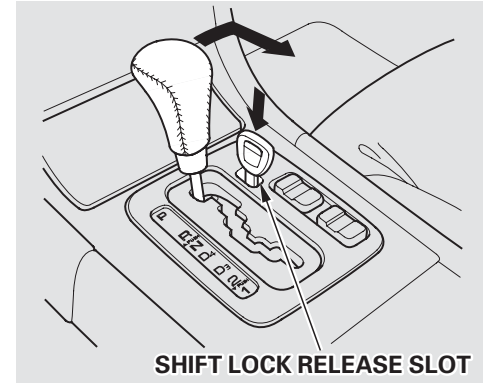
### Shift Lock Release

This allows you to move the shift lever out of Park if the normal method of pushing on the brake pedal does not work.

1. Set the Parking brake.
2. Remove the key from the ignition switch.
3. Put a cloth on the edge of the Shift Lock Release slot cover next to the shift lever.  
Use a small flat-tipped screwdriver or small metal plate (neither are included in the tool kit) to remove the cover. Carefully pry on the edge of the cover.



4. Insert the key in the Shift Lock Release slot.
5. Push down on the key and move the shift lever out of Park to Neutral.



6. Remove the key from the Shift Lock Release slot, then reinstall the cover. Make sure the notch on the cover is on the right side. Depress the brake pedal and restart the engine.

If you need to use the Shift Lock Release, it means your car is developing a problem. Have the car checked by your Acura dealer.

## Parking

---

Always use the parking brake when you park your car. The indicator on the instrument panel shows that the parking brake is not fully released; it does not indicate that the parking brake is firmly set. Make sure the parking brake is set firmly or your car may roll if it is parked on an incline.

Set the parking brake before you put the transmission in Park. This keeps the car from moving and putting pressure on the parking mechanism in the transmission — making it easier to move the shift lever out of Park when you want to drive away.

If the car is facing uphill, turn the front wheels away from the curb.

If the car is facing downhill, turn the front wheels toward the curb.

Make sure the parking brake is fully released before driving away. Driving with the parking brake partially set can overheat or damage the rear brakes.

### Parking Tips

- Make sure the moonroof and the windows are closed.
- Turn off the lights.
- Place any packages, valuables, etc., in the trunk or take them with you.
- Lock the doors with the key or the remote transmitter. Check the indicator on the driver's door to verify that the security system is set.
- Never park over dry leaves, tall grass, or other flammable materials. The three way catalytic converter gets very hot, and could cause these materials to catch on fire.

Your Acura is equipped with disc brakes at all four wheels. A power assist helps reduce the effort needed on the brake pedal. The ABS helps you retain steering control when braking very hard.

Put your foot on the brake pedal only when you intend to brake. Resting your foot on the pedal keeps the brakes applied lightly, causing them to build up heat. Heat build-up can reduce how well your brakes work. It also keeps your brake lights on all the time, confusing drivers behind you.

Constant application of the brakes when going down a long hill builds up heat and reduces their effectiveness. Use the engine to assist the brakes by downshifting to a lower gear and taking your foot off the accelerator pedal.

Check your brakes after driving through deep water. Apply the brakes moderately to see if they feel normal. If not, apply them gently and frequently until they do. Since a longer distance is needed to stop with wet brakes, be extra cautious and alert in your driving.

## **Brake Wear Indicators**

All four brakes have audible brake wear indicators. When the brake pads need replacing, you will hear a distinctive metallic “screeching” sound when you apply the brakes. If you do not have the brake pads replaced, they will begin screeching all the time.

Your brakes may sometimes squeal or squeak when you apply them lightly. Do not confuse this with the brake wear indicators. They make a very audible “screeching.”

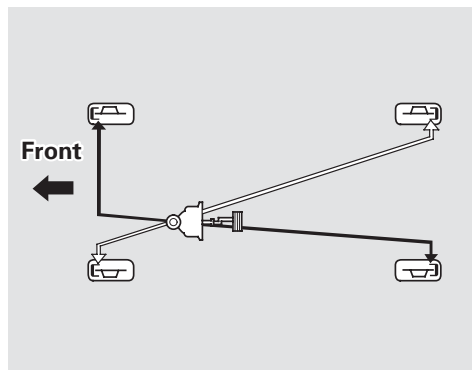


# The Braking System

---

## Brake System Design

The hydraulic system that operates the brakes has two separate circuits. Each circuit works diagonally across the car (the left-front brake is connected with the right-rear brake, etc.). If one circuit should develop a problem, you will still have braking at two wheels.



## Anti-lock Brakes

Your car has an Anti-lock Brake System (ABS) as standard equipment. ABS helps to prevent the wheels from locking up and skidding during hard braking, allowing you to retain steering control.

When the front tires skid, you lose steering control; the car continues straight ahead even though you turn the steering wheel. The ABS helps to prevent lock-up and helps you retain steering control by pumping the brakes rapidly; much faster than a person can do it.

The ABS also balances the front-to-rear braking distribution according to vehicle loading.

**You should never pump the brake pedal;** this defeats the purpose of the ABS. Let the ABS work for you by always keeping firm, steady pressure on the brake pedal as you steer away from the hazard. This is sometimes referred to as *“stomp and steer.”*

You will feel a pulsation in the brake pedal when the ABS activates, and you may hear some noise. This is normal; it is the ABS rapidly pumping the brakes.

Activation varies with the amount of traction your tires have. On dry pavement, you will need to press on the brake pedal very hard before you activate the ABS. However, you may feel the ABS activate immediately if you are trying to stop on snow or ice.

## **Important Safety Reminders**

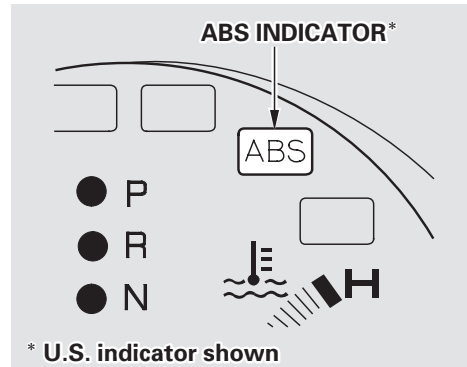
**ABS does not reduce the time or distance it takes to stop the car;** it only helps with steering control during braking. You should always maintain a safe following distance from other vehicles.

**ABS will not prevent a skid that results from changing direction abruptly,** such as trying to take a corner too fast or making a sudden lane change. Always drive at a safe, prudent speed for the road and weather conditions.

**ABS cannot prevent a loss of stability.** Always steer moderately when you are braking hard. Severe or sharp steering wheel movement can still cause your car to veer into oncoming traffic or off the road.

**A vehicle with ABS may require a longer distance to stop** on loose or uneven surfaces, such as gravel or snow, than a vehicle without anti-lock. Slow down and allow a greater distance between vehicles under those conditions.

## **ABS Indicator**



The ABS is self-checking. If anything goes wrong, the ABS indicator on the instrument panel comes on (see page 56 ). This means the anti-lock

function of the braking system has shut down. The brakes still work like a conventional system without anti-lock, providing normal stopping ability. You should have the dealer inspect your car as soon as possible if this light stays on after you start the engine, or comes on while driving.

*CONTINUED*

## The Braking System

---

If the ABS indicator and the brake system indicator come on together, and the parking brake is fully released, the front-to-rear braking distribution system may also shut down.

Test your brakes as instructed on page [289](#) . If the brakes feel normal, drive slowly and have your car repaired by your dealer as soon as possible. Avoid sudden hard braking which could cause the rear wheels to lock up and possibly lead to a loss of control.

The VSA system indicator may come on along with the ABS indicator if there is a problem with the anti-lock brake system.

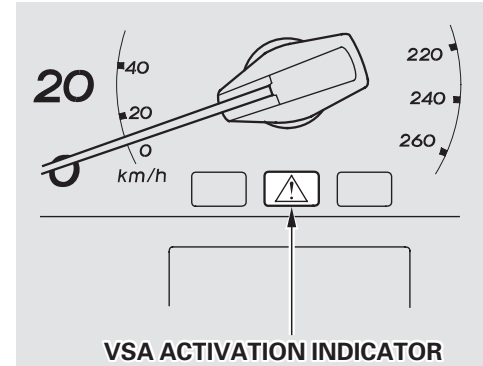
# Vehicle Stability Assist (VSA) System

The Vehicle Stability Assist system helps to stabilize the vehicle during cornering if the car turns more or less than desired. It also assists you in maintaining traction while accelerating on loose or slippery road surfaces. It does this by regulating the engine's output, and by selectively applying braking.

When VSA activates, you may notice that the engine does not respond to the accelerator in the same way it does at other times. You will also see the VSA Activation Indicator blink.

The VSA system cannot enhance the car's driving stability in all situations and does not control your vehicle's entire braking system. It is still your responsibility to drive and corner at reasonable speeds and to leave a sufficient margin of safety.

## VSA Activation Indicator

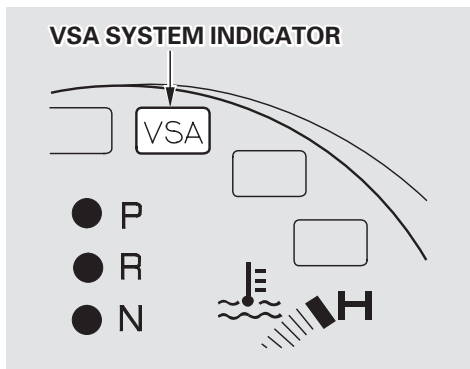


When VSA activates, you will see the VSA Activation indicator blink.

*CONTINUED*

# Vehicle Stability Assist (VSA) System

## VSA System Indicator



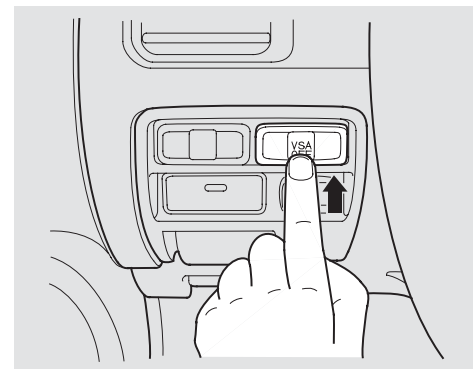
The VSA system indicator (see page 56) comes on and stays on when there is a problem with the VSA system.

If the VSA indicator comes on while driving, pull to the side of the road when it is safe and turn off the engine. Reset the system by restarting the engine, and watch the VSA system indicator. If the indicator remains on, or comes back on while driving, have the VSA system inspected by your Acura dealer.

If the indicator does not come on when the ignition switch is turned ON (II), there may be a problem with the VSA system. Have your dealer inspect your car as soon as possible.

Without VSA, your car will have normal braking and cornering ability, but it will not have VSA traction and stability enhancement.

## VSA Off Switch



This switch is under the left vent. Press it to turn the Vehicle Stability Assist system on and off.

When VSA is off, the VSA Activation Indicator light comes on as a reminder. Pressing the switch again turns the system back on.

VSA is turned on every time you start the engine, even if you turned it off the last time you drove the car.

### **VSA and Tire Sizes**

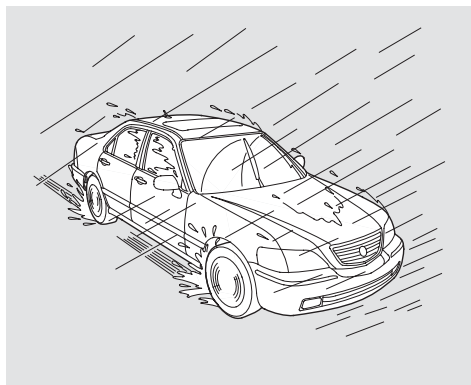
Driving with varying tire or wheel sizes may cause the VSA to malfunction. When replacing tires, make sure they are of the same size and type as your original tires (see page [257](#) ).

Deactivate the VSA system if you need to drive with the compact spare tire installed (see page [282](#) ).

If you install winter tires, make sure they are the same size as those that were originally supplied with your car. Exercise the same caution during winter driving as you would if your car was not equipped with VSA.

## Driving in Bad Weather

---



Rain, fog, and snow conditions require a different driving technique because of reduced traction and visibility. Keep your car well-maintained and exercise greater caution when you need to drive in bad weather. The cruise control should not be used in these conditions.

**Driving Technique** — Always drive slower than you would in dry weather. It takes your car longer to react, even in conditions that may seem just barely damp. Apply smooth, even pressure to all the controls. Abrupt steering wheel movements or sudden, hard application of the brakes can cause loss of control in wet weather. Be extra cautious for the first few miles (kilometers) of driving while you adjust to the change in driving conditions. This is especially true in snow. A person can forget some snow-driving techniques during the summer months. Practice is needed to relearn those skills.

Exercise extra caution when driving in rain after a long dry spell. After months of dry weather, the first rains bring oil to the surface of the roadway, making it slippery.

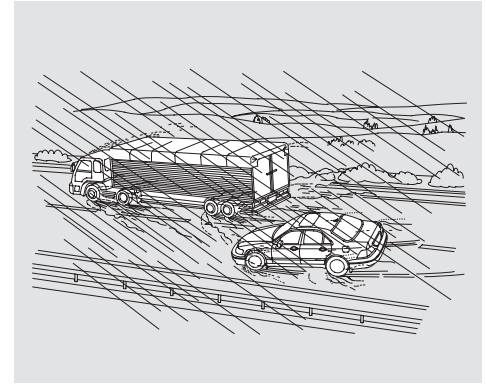
**Visibility** — Being able to see clearly in all directions and being visible to other drivers are important in all weather conditions. This is more difficult in bad weather. To be seen more clearly during daylight hours, turn on your headlights.

Inspect your windshield wipers and washers frequently. Keep the windshield washer reservoir full of the proper fluid. Have the windshield wiper blades replaced if they start to streak the windshield or leave parts unwiped. Use the defroster and air conditioning to keep the windows from fogging up on the inside (see pages [120](#) and [125](#)).

**Traction** — Check your tires frequently for wear and proper pressure. Both are important in preventing “hydroplaning” (loss of traction on a wet surface). In the winter, mount snow tires on all four wheels for the best handling.

Watch road conditions carefully, they can change from moment to moment. Wet leaves can be as slippery as ice. “Clear” roads can have patches of ice. Driving conditions can be very hazardous when the outside temperature is near freezing. The road surface can become covered with areas of water puddles mixed with areas of ice, so your traction can change without warning.

Be careful when downshifting. If traction is low, you can lock up the drive wheels for a moment and cause a skid.



Be very cautious when passing, or being passed by other vehicles. The spray from large vehicles reduces your visibility, and the wind buffeting can cause you to lose control.

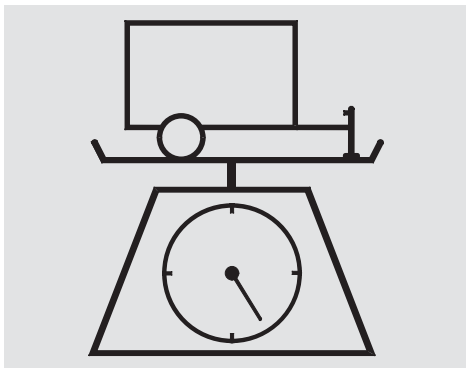


## Towing a Trailer

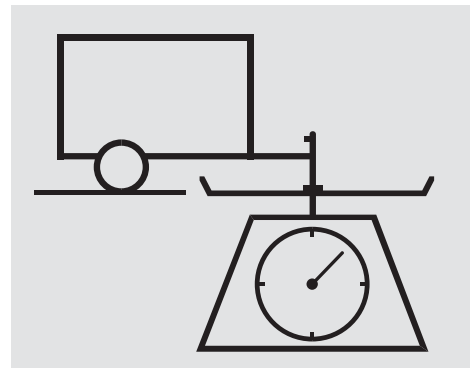
---

Your Acura has been designed primarily to carry passengers and their cargo. You can use it to tow a trailer if you carefully observe the load limits, use the proper equipment, and follow the guidelines in this section.

### Load Limits



- **Total Trailer Weight:** The total weight of the trailer and everything loaded in it must not exceed 2,000 lbs (900 kg). Towing a load that is too heavy can seriously affect your car's handling and performance. It can also damage the engine and drivetrain.



- **Tongue Load:** The weight that the tongue of a fully-loaded trailer puts on the hitch should be approximately 10 percent of the trailer weight. Too little tongue load can make the trailer unstable and cause it to sway. Too much tongue load reduces front-tire traction and steering control.

To achieve a proper tongue load, start by loading 60 percent of the load toward the front of the trailer and 40 percent toward the rear, then re-adjust the load as needed.

- **Gross Vehicle Weight Rating (GVWR):**

The total weight of the vehicle, all occupants, all cargo, and the tongue load must not exceed:  
4,830 lbs (2,190 kg)

- **Gross Axle Weight Rating (GAWR):**

The total weight of the vehicle, all occupants, all cargo, and the tongue load must not exceed:

2,570 lbs (1,165 kg)  
on the front axle

2,260 lbs (1,025 kg)  
on the rear axle

### **⚠ WARNING**

Exceeding load limits or improperly loading your vehicle and trailer can cause a crash in which you can be seriously injured or killed.

Check the loading of your vehicle and trailer carefully before starting to drive.

### **Checking Loads**

The best way to confirm that vehicle and trailer weights are within limits is to have them checked at a public scale.

Using a suitable scale or a special tongue load gauge, check the tongue load the first time you set up a towing combination (a fully-loaded vehicle and trailer), then recheck the tongue load whenever the conditions change.

# Towing a Trailer

---

## **Towing Equipment and Accessories**

Towing can require a variety of equipment, depending on the size of your trailer, how it will be used, and how much load you are towing.

Discuss your needs with your trailer sales or rental agency, and follow the guidelines in the rest of this section. Also make sure that all equipment is properly installed and that it meets federal, state, province, and local regulations.

### ***Hitches***

Any hitch used on your vehicle must be properly bolted to the underbody.

### ***Safety Chains***

Always use safety chains. Make sure they are secured to both the trailer and hitch, and that they cross under the tongue so they can catch the trailer if it becomes unhitched. Leave enough slack to allow the trailer to turn corners easily, but do not let the chains drag on the ground.

### ***Trailer Brakes***

Acura recommends that any trailer having a total weight of 1,000 lbs (450 kg) or more be equipped with its own electric or surge-type brakes.

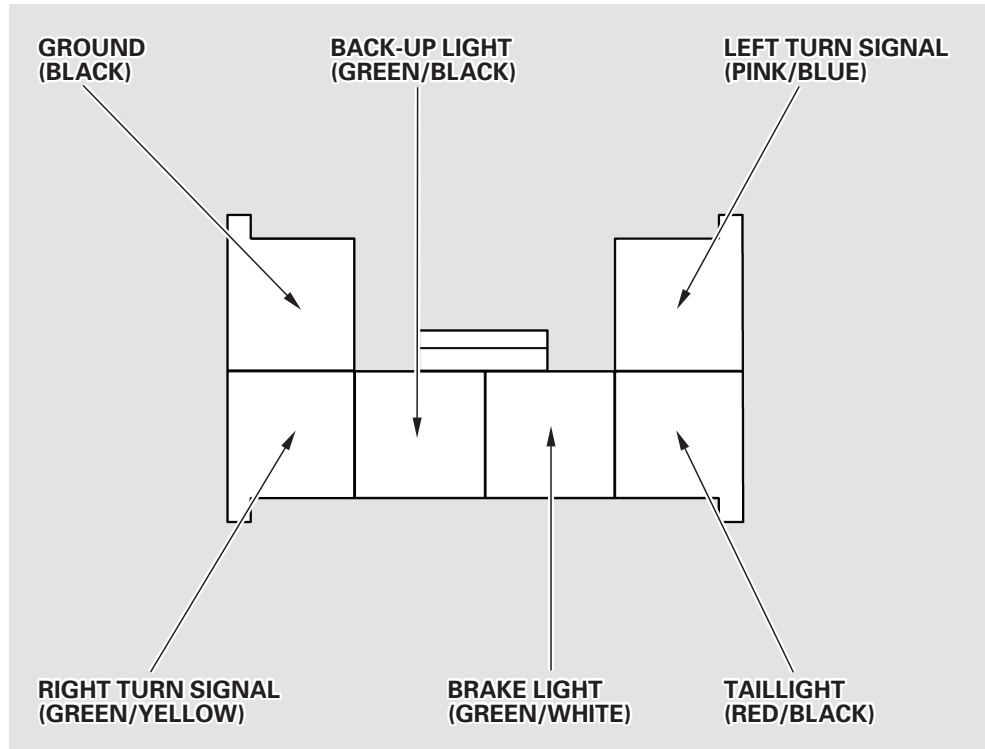
If you choose electric brakes, be sure they are electronically actuated. Do not attempt to tap into your vehicle's hydraulic system. No matter how successful it may seem, any attempt to attach trailer brakes to your vehicle's hydraulic system will lower braking effectiveness and create a potential hazard.

### Trailer Lights

Your vehicle has a trailer lighting connector located in the trunk by the left taillight. To use the connector, undo the fastener on the left side of the trunk lining. Refer to the drawing in this page for the wiring color code and purpose of each pin.

If you use a converter, you can get the connector and pins that mate with the connector in your vehicle from your Acura dealer.

Since lighting and wiring vary in trailer type and brand, you should also have a qualified mechanic install a suitable connector between the vehicle and the trailer.



*CONTINUED*

# Towing a Trailer

---

## *Additional Trailer Equipment*

Many states and Canadian provinces require special outside mirrors when towing a trailer. Even if they don't, you should install special mirrors if you cannot clearly see behind you, or if the trailer creates a blind spot.

Ask your trailer sales or rental agency if any other items are recommended or required for your towing situation.

## **Pre-Tow Checklist**

When preparing to tow, and before driving away, be sure to check the following:

- The vehicle has been properly serviced, and the tires, brakes, suspension, and cooling system are in good operating condition.
- All weights and loads are within limits (see pages [206](#) and [207](#) ).
- The hitch, safety chains, and any other attachments are secure.
- All items on and in the trailer are properly secured and cannot shift while you drive.
- The lights and brakes on your vehicle and the trailer are working properly.

- Your vehicle tires and spare are properly inflated (see page [254](#) ), and the trailer tires and spare are inflated as recommended by the trailer maker.

### **Driving Safely With a Trailer**

The added weight, length, and height of a trailer will affect your vehicle's handling and performance, so driving with a trailer requires some special driving skills and techniques.

For your safety and the safety of others, take time to practice driving maneuvers before heading for the open road, and follow the guidelines discussed below.

### ***Towing Speeds and Gears***

Drive slower than normal in all driving situations, and obey posted speed limits for vehicles with trailers. Use the D4 position when towing a trailer on level roads. D3 is the proper shift lever position to use when towing a trailer in hilly terrain. (See “***Driving on Hills***” in the next column for additional gear information.)

### ***Making Turns and Braking***

Make turns more slowly and wider than normal. The trailer tracks a smaller arc than your vehicle, and it can hit or run over something the vehicle misses. Allow more time and distance for braking. Do not brake or turn suddenly as this could cause the trailer to jackknife or turn over.

### ***Driving on Hills***

When climbing hills, closely watch your temperature gauge. If it nears the red (Hot) mark, turn the air conditioning off, reduce speed and, if necessary, pull to the side of the road to let the engine cool.

If the automatic transmission shifts frequently between 3rd and 4th gears while going up a hill, shift to D3.

If you must stop when facing uphill, use the foot brake or parking brake. Do not try to hold the vehicle in place by pressing on the accelerator, as this can cause the automatic transmission to overheat.

When driving down hills, reduce your speed and shift down to 2nd gear. Do not “ride” the brakes, and remember it will take longer to slow down and stop when towing a trailer.

*CONTINUED*

# Towing a Trailer

---

## ***Handling Crosswinds and Buffeting***

Crosswinds and air turbulence caused by passing trucks can disrupt your steering and cause trailer swaying. When being passed by a large vehicle, keep a constant speed and steer straight ahead. Do not try to make quick steering or braking corrections.

## ***Backing Up***

Always drive slowly and have someone guide you when backing up. Grip the *bottom* of the steering wheel; then turn the wheel to the left to get the trailer to move to the left, and turn the wheel right to move the trailer to the right.

## ***Parking***

Follow all normal precautions when parking, including putting the transmission in Park and firmly setting the parking brake. Also, place wheel chocks at each of the trailer's tires.

This section explains why it is important to keep your car well maintained and how to follow basic maintenance safety precautions.

This section also includes Maintenance Schedules for normal driving and severe driving conditions, a Maintenance Record, and instructions for simple maintenance tasks you may want to take care of yourself.

If you have the skills and tools to perform more complex maintenance tasks on your Acura, you may want to purchase the Service Manual. See page 329 for information on how to obtain a copy, or see your Acura dealer.

Maintenance Safety.....	214	Battery .....	246
Important Safety Precautions ..	215	Wiper Blades.....	249
Maintenance Schedule.....	216	Air Conditioning System.....	251
Required Maintenance Record ...	223	Air Conditioning Filter .....	252
Owner Maintenance Checks.....	225	Drive Belts.....	252
Fluid Locations.....	226	Timing Belt.....	253
Engine Oil.....	227	Tires .....	253
Adding Oil.....	227	Inflation.....	253
Recommended Oil.....	227	Inspection .....	255
Synthetic Oil.....	228	Maintenance.....	256
Additives .....	228	Tire Rotation .....	256
Changing the Oil and Filter.....	229	Replacing Tires and Wheels ...	257
Cooling System .....	231	Wheels and Tires.....	258
Adding Engine Coolant.....	231	Winter Driving .....	258
Replacing Engine Coolant .....	233	Snow Tires.....	259
Windshield Washers .....	237	Tire Chains.....	259
Automatic Transmission Fluid....	238	Lights .....	260
Differential Oil .....	239	Replacing Bulbs .....	262
Brake Fluid.....	240	Storing Your Car.....	271
Brake System .....	240		
Power Steering.....	240		
Hood Latch.....	241		
Air Cleaner Element.....	241		
Spark Plugs.....	243		
Replacement.....	243		
Specifications .....	246		



## Maintenance Safety

---

Regularly maintaining your car is the best way to protect your investment. Proper maintenance is essential to your safety and the safety of your passengers. It will also reward you with more economical, trouble-free driving and help reduce air pollution.

### **⚠ WARNING**

Improperly maintaining this car or failing to correct a problem before driving can cause a crash in which you can be seriously hurt or killed.

Always follow the inspection and maintenance recommendations and schedules in this owner's manual.

This section includes instructions for simple maintenance tasks, such as checking and adding oil. Any service items not detailed in this section should be performed by an Acura technician or other qualified mechanic.

Some of the most important safety precautions are given here. However, we cannot warn you of every conceivable hazard that can arise in performing maintenance. Only you can decide whether or not you should perform a given task.

### **⚠ WARNING**

Failure to properly follow maintenance instructions and precautions can cause you to be seriously hurt or killed.

Always follow the procedures and precautions in this owner's manual.

### **Important Safety Precautions**

Before you begin any maintenance, make sure your car is parked on level ground and that the parking brake is set. Also, be sure the engine is off. This will help to eliminate several potential hazards:

- **Carbon monoxide poisoning from engine exhaust.** Be sure there is adequate ventilation whenever you operate the engine.
- **Burns from hot parts.** Let the engine and exhaust system cool before touching any parts.
- **Injury from moving parts.** Do not run the engine unless instructed to do so.

Read the instructions before you begin, and make sure you have the tools and skills required.

To reduce the possibility of fire or explosion, be careful when working around gasoline or batteries. Use a commercially available degreaser or parts cleaner, not gasoline, to clean parts. Keep cigarettes, sparks, and flames away from the battery and all fuel-related parts.

You should wear eye protection and protective clothing when working near the battery or when using compressed air.

## Maintenance Schedule

---

The Maintenance Schedule specifies how often you should have your car serviced and what things need attention. It is essential that you have your car serviced as scheduled to retain its high level of safety, dependability, and emissions control performance.

The services and time or distance intervals shown in the maintenance schedule assume you will use your car as normal transportation for passengers and their possessions. You should also follow these recommendations:

- Avoid exceeding your car's load limit. This puts excess stress on the engine, brakes, and many other parts of your car. The load limit is shown on the label on the driver's doorjamb.
- Operate your car on reasonable roads within the legal speed limit.
- Drive your car regularly over a distance of several miles (kilometers).
- Always use unleaded gasoline with the proper octane rating (see page [178](#)).

### **Which Schedule to Follow:**

Service your car according to the time and mileage periods on one of the Maintenance Schedules on the following pages. Select the schedule for "Severe Conditions" if most of your driving is done under one or more of the conditions listed on that page. Otherwise, follow the schedule for "Normal Conditions."

Your authorized Acura dealer knows your car best and can provide competent, efficient service. However, service at a dealer is not mandatory to keep your warranties in effect. Maintenance may be done by any qualified service facility or person who is skilled in this type of automotive service. Keep all the receipts as proof of completion, and have the person who does the work fill out the Maintenance Record. Check your warranty booklet for more information.

We recommend the use of genuine Honda parts and fluids whenever you have maintenance done. These are manufactured to the same high-quality standards as the original components, so you can be confident of their performance and durability.

U.S. Vehicles:

**Maintenance, replacement or repair of emissions control devices and systems may be done by any automotive repair establishment or individual using parts that are “certified” to EPA standards.**

According to state and federal regulations, failure to perform maintenance on the items marked with # will not void your emissions warranties. However, Acura recommends that all maintenance services be performed at the recommended time or mileage period to ensure long-term reliability.

Service at the indicated distance or time — whichever comes first.	miles x 1,000	15	30	45	60	75	90	105	120
	km x 1,000	24	48	72	96	120	144	168	192
	months	12	24	36	48	60	72	84	96
Replace engine oil	Replace every 7,500 miles (12,000 km) or 1 year								
Replace engine oil filter	●	●	●	●	●	●	●	●	●
Check engine oil and coolant	Check oil and coolant at each fuel stop								
Replace air cleaner element		●		●		●		●	
Replace spark plugs								●	
Replace timing belt, balancer belt, and inspect water pump								●	
Inspect and adjust drive belts		●		●		●		●	
Inspect idle speed								●	
Replace engine coolant	120,000 miles (192,000 km) or 10 years, then every 60,000 miles (96,000 km) or 5 years								
Replace transmission fluid	120,000 miles (192,000 km) or 6 years, then every 90,000 miles (144,000 km) or 5 years								
Replace front differential fluid				●		●		●	
Inspect front and rear brakes	●	●	●	●	●	●	●	●	●
Replace brake fluid	Every 3 years (independent of mileage)								
Check parking brake adjustment	●	●	●	●	●	●	●	●	●
Replace air conditioning filter		●		●		●		●	
Rotate tires (Check tire inflation and condition at least once per month)	Rotate tires every 7,500 miles (12,000 km)								
<b>Visually inspect the following items:</b>									
Tie rod ends, steering gear box, and boots									
Suspension components									
Driveshaft boots									
Brake hoses and lines (including ABS)	●	●	●	●	●	●	●	●	●
All fluid levels and condition of fluids									
Cooling system hoses and connections									
# Exhaust system									
# Fuel lines and connections									

# : See information on maintenance and emissions warranty, last column, page 217.

## U.S. Owners

Follow the Normal Conditions Maintenance Schedule if the severe driving conditions specified in the Severe Conditions Maintenance Schedule do not apply.

NOTE: If you only *OCCASIONALLY* drive under a “severe” condition, you should follow the Normal Conditions Maintenance Schedule.

## Canadian Owners

Follow the Maintenance Schedule for Severe Conditions.

Service at the indicated distance or time, whichever comes first. Do the items in **A, B, C, D** as required for each distance/time interval.

**U.S. Owners** – Refer to page 218 to determine which schedule to use.

**Canadian Owners** – Use the Maintenance Schedule for Severe Conditions.

7,500 mi/12,000 km	Do items in A.
15,000 mi/24,000 km/1yr	Do items in A, B.
22,500 mi/36,000 km	Do items in A.
30,000 mi/48,000 km/2 yrs	Do items in A, B, C.
37,500 mi/60,000 km/	Do items in A.
45,000 mi/72,000 km/3 yrs	Do items in A, B, D.
52,500 mi/84,000 km/	Do items in A.
60,000 mi/96,000 km/4 yrs	<input type="checkbox"/> Replace front differential fluid. Do items in A, B, C.
67,500 mi/108,000 km	Do items in A.
75,000 mi/120,000 km/5 yrs	Do items in A, B.
82,500 mi/132,000 km	Do items in A.
90,000 mi/144,000 km/6 yrs	<input type="checkbox"/> Replace front differential fluid. Do items in A, B, C, D.
97,500 mi/156,000 km	Do items in A.
105,000 mi/168,000 km/7 yrs	<input type="checkbox"/> Replace timing belt, balancer belt, and inspect water pump. <input type="checkbox"/> Check idle speed. <input type="checkbox"/> Replace spark plugs. Do items in A, B.
112,500 mi/180,000 km	Do items in A.
120,000 mi/192,000 km/8 yrs	<input type="checkbox"/> Replace front differential fluid. Do items in A, B, C.
120,000 mi/192,000 km/10 yrs	<input type="checkbox"/> Replace engine coolant, then replace every 60,000 mi/96,000 km/5 yrs.
120,000 mi/192,000 km/6 yrs	<input type="checkbox"/> Replace transmission fluid, then every 90,000 mi/144,000 km/5 yrs.

<b>A</b>	<input type="checkbox"/> Replace engine oil. <input type="checkbox"/> Rotate tires (follow pattern on page 256).
<b>B</b>	<input type="checkbox"/> Replace engine oil filter. <input type="checkbox"/> Inspect front and rear brakes. <input type="checkbox"/> Check parking brake adjustment. <input type="checkbox"/> Inspect tie rod ends, steering gear box and boots. <input type="checkbox"/> Inspect suspension components. <input type="checkbox"/> Inspect driveshaft boots. <input type="checkbox"/> Inspect brake hoses and lines (including ABS). <input type="checkbox"/> Check all fluid levels, condition of fluids, and check for leaks. <input type="checkbox"/> Inspect cooling system hoses and connections. <input type="checkbox"/> *Inspect exhaust system. <input type="checkbox"/> *Inspect fuel lines and connections.
<b>C</b>	<input type="checkbox"/> Replace air cleaner element. <input type="checkbox"/> Inspect and adjust drive belts. <input type="checkbox"/> Replace air conditioning filter.
<b>D</b>	<input type="checkbox"/> Replace brake fluid (every 3 years regardless of mileage).

# : See information on maintenance and emissions warranty, last column, page 217.

NOTE:

- Check engine oil and coolant at each fuel stop.

Service at the indicated distance or time — whichever comes first.	miles x 1,000	15	30	45	60	75	90	105	120
	km x 1,000	24	48	72	96	120	144	168	192
	months	12	24	36	48	60	72	84	96
Replace engine oil and oil filter	Replace every 3,750 miles (6,000 km) or 6 months								
Check engine oil and coolant	Check oil and coolant at each fuel stop								
Clean (○) or replace (●) air cleaner element – Use normal schedule except in dusty conditions	○	●	○	●	○	●	○	●	
Replace spark plugs								●	
# Replace timing belt*, balancer belt*, and inspect water pump								●	
Inspect and adjust drive belts		●		●		●			●
Inspect idle speed								●	
Replace engine coolant	120,000 miles (192,000 km) or 10 years, then every 60,000 miles (96,000 km) or 5 years								
Replace transmission fluid	60,000 miles (96,000 km) or 3 years, then every 30,000 miles (48,000 km) or 2 years								
Replace front differential fluid		●	●	●	●	●	●	●	●
Inspect front and rear brakes	Every 7,500 miles (12,000 km) or 6 months								
Replace brake fluid	Every 3 years (independent of mileage)								
Check parking brake adjustment	●	●	●	●	●	●	●	●	●
Replace air conditioning filter*2		●		●		●		●	
Lubricate all hinges, locks, and latches	●	●	●	●	●	●	●	●	●
Rotate tires (Check tire inflation and condition at least once per month)	Rotate tires every 7,500 miles (12,000 km)								
<b>Visually inspect the following items:</b>									
Tie rod ends, steering gear box, and boots Suspension components, Driveshaft boots	Every 7,500 miles (12,000 km) or 6 months								
Brake hoses and lines (including ABS) All fluid levels and condition of fluids Cooling system hoses and connections # Exhaust system, # Fuel lines and connections Lights and controls, Vehicle underbody	●	●	●	●	●	●	●	●	●

# : See information on maintenance and emissions warranty, last column, page 217.

\* 1 : See timing belt on page 253 for replacement information under special driving conditions.

\* 2 : See Air Conditioning Filter on page 252 for replacement information under special driving conditions.

## U.S. Owners

Follow the Severe Conditions Maintenance Schedule if you drive your car *MAINLY* under one or more of the following conditions:

- Driving less than 5 miles (8 km) per trip or, in freezing temperatures, driving less than 10 miles (16 km) per trip.
- Driving in extremely hot [over 90°F (32°C)] conditions.
- Extensive idling or long periods of stop-and-go driving.
- Trailer towing, driving with a roof rack, or driving in mountainous conditions.
- Driving on muddy, dusty, or de-iced roads.

## Canadian Owners

Follow the Maintenance Schedule for Severe Conditions.

Service at the indicated distance or time, whichever comes first. Do the items in **A, B, C, D, E** as required for each distance/time.

**U.S. Owners** — Refer to page 220 to determine which schedule to use.

**Canadian Owners** — Use the Maintenance Schedule for Severe Conditions.

3,750 mi/6,000 km	Do items in A.
7,500 mi/12,000 km	Do items in A, B.
11,250 mi/18,000 km	Do items in A.
15,000 mi/24,000 km/1 yr	<input type="checkbox"/> Clean air cleaner element. Do items in A, B, C.
18,750 mi/30,000 km	Do items in A.
22,500 mi/36,000 km	Do items in A, B.
26,250 mi/42,000 km	Do items in A.
30,000 mi/48,000 km/2 yrs	<input type="checkbox"/> Replace front differential fluid. Do items in A, B, C, D.
33,750 mi/54,000 km	Do items in A.
37,500 mi/60,000 km	Do items in A, B.
41,250 mi/66,000 km	Do items in A.
45,000 mi/72,000 km/3 yrs	<input type="checkbox"/> Replace front differential fluid. <input type="checkbox"/> Clean air cleaner element. Do items in A, B, C, E.
48,750 mi/78,000 km	Do items in A.
52,500 mi/84,000 km	Do items in A, B.
56,250 mi/90,000 km	Do items in A.
60,000 mi/96,000 km/4 yrs	<input type="checkbox"/> Replace front differential fluid. <input type="checkbox"/> # Replace timing belt* <sup>1</sup> , balancer belt* <sup>1</sup> , and inspect water pump. Do items in A, B, C, D.
60,000 mi/96,000 km/3 yrs	<input type="checkbox"/> Replace transmission fluid, then replace every 30,000 mi/48,000 km/2 yrs.

<b>A</b>	<input type="checkbox"/> Replace engine oil and filter.
<b>B</b>	<input type="checkbox"/> Inspect front and rear brakes. <input type="checkbox"/> Rotate tires (follow pattern on page 256 ). <input type="checkbox"/> Inspect tie rod ends, steering gear box and boots. <input type="checkbox"/> Inspect suspension components. <input type="checkbox"/> Inspect driveshaft boots.
<b>C</b>	<input type="checkbox"/> Check parking brake adjustment. <input type="checkbox"/> Lubricate all hinges, locks, and latches with multipurpose grease. <input type="checkbox"/> Inspect brake hoses and lines (including ABS). <input type="checkbox"/> Check all fluid levels, condition of fluids, and check for leaks. <input type="checkbox"/> Inspect cooling system hoses and connections. <input type="checkbox"/> # Inspect exhaust system. <input type="checkbox"/> # Inspect fuel lines and connections. <input type="checkbox"/> Check all lights. <input type="checkbox"/> Inspect the underbody.
<b>D</b>	<input type="checkbox"/> Replace air cleaner element. <input type="checkbox"/> Inspect and adjust drive belts. <input type="checkbox"/> Replace air conditioning filter* <sup>2</sup> .
<b>E</b>	<input type="checkbox"/> Replace brake fluid every 3 years (independent of mileage).

\* 1 : See timing belt on page 253 or replacement information under special driving conditions.

\* 2 : See Air Conditioning Filter on page 252 for replacement information under special driving conditions.

# : See information on maintenance and emissions warranty, last column, page 217 .

**NOTE :**

- Check engine oil and coolant at each fuel stop.



63,750 mi/102,000 km	Do items in A.
67,500 mi/108,000 km	Do items in A, B.
71,250 mi/114,000 km	Do items in A.
75,000 mi/120,000 km/5 yrs	<input type="checkbox"/> Replace front differential fluid. <input type="checkbox"/> Clean air cleaner element. Do items in A, B, C.
78,750 mi/126,000 km	Do items in A.
82,500 mi/132,000 km	Do items in A, B.
86,250 mi/138,000 km	Do items in A.
90,000 mi/144,000 km/6 yrs	<input type="checkbox"/> Replace front differential fluid. Do items in A, B, C, D, E.
90,000 mi/144,000 km/5 yrs	<input type="checkbox"/> Replace transmission fluid.
93,750 mi/150,000 km	Do items in A.
97,500 mi/156,000 km	Do items in A, B.
101,250 mi/162,000 km	Do items in A.
105,000 mi/168,000 km/7 yrs	<input type="checkbox"/> Replace front differential fluid. <input type="checkbox"/> Replace timing belt* <sup>1</sup> , balancer belt* <sup>1</sup> , and inspect water pump. <input type="checkbox"/> Check idle speed. <input type="checkbox"/> Clean air cleaner element. <input type="checkbox"/> Replace spark plugs. Do items in A, B, C.
108,750 mi/174,000 km	Do items in A.
112,500 mi/180,000 km	Do items in A, B.
116,250 mi/186,000 km	Do items in A.
120,000 mi/192,000 km/8 yrs	<input type="checkbox"/> Replace front differential fluid. <input type="checkbox"/> Replace timing belt* <sup>1</sup> , balancer belt* <sup>1</sup> , and inspect water pump. Do items in A, B, C, D.
120,000 mi/192,000 km/10 yrs	<input type="checkbox"/> Replace engine coolant, then replace every 60,000 mi/96,000 km/5 yrs.
120,000 mi/192,000 km/7 yrs	<input type="checkbox"/> Replace transmission fluid.

\* 1 : See timing belt on page 253 for replacement information under special driving conditions.

\* 2 : See Air Conditioning Filter on page 252 for replacement information under special driving conditions.

# : See information on maintenance and emissions warranty, last column, page 217.

NOTE:

- Check engine oil and coolant at each fuel stop.

## Required Maintenance Record (for Normal and Severe Schedules)

You or the servicing dealer can record all completed maintenance here, whether you follow the schedule for normal conditions (page 218) or severe conditions (page 220). Keep the receipts for all work done on your car.

<b>3,750 mi</b> 6,000 km	Signature or dealer stamp	mi/km
		Date
<b>7,500 mi</b> 12,000 km		mi/km
		Date
<b>11,250 mi</b> 18,000 km		mi/km
		Date
<b>15,000 mi</b> 24,000 km (or 1 year)		mi/km
		Date
<b>18,750 mi</b> 30,000 km		mi/km
		Date
<b>22,500 mi</b> 36,000 km		mi/km
		Date
<b>26,250 mi</b> 42,000 km		mi/km
		Date
<b>30,000 mi</b> 48,000 km (or 2 years)		mi/km
		Date

<b>33,750 mi</b> 54,000 km	Signature or dealer stamp	mi/km
		Date
<b>37,500 mi</b> 60,000 km		mi/km
		Date
<b>41,250 mi</b> 66,000 km		mi/km
		Date
<b>45,000 mi</b> 72,000 km (or 3 years)		mi/km
		Date
<b>48,750 mi</b> 78,000 km		mi/km
		Date
<b>52,500 mi</b> 84,000 km		mi/km
		Date
<b>56,250 mi</b> 90,000 km		mi/km
		Date
<b>60,000 mi</b> 96,000 km (or 4 years)		mi/km
		Date

## Required Maintenance Record (for Normal and Severe Schedules)

---

<b>63,750 mi</b> 102,000 km	Signature or dealer stamp	mi/km
		Date
<b>67,500 mi</b> 108,000 km		mi/km
		Date
<b>71,250 mi</b> 114,000 km		mi/km
		Date
<b>75,000 mi</b> 120,000 km (or 5 years)		mi/km
		Date
<b>78,750 mi</b> 126,000 km		mi/km
		Date
<b>82,500 mi</b> 132,000 km		mi/km
		Date
<b>86,250 mi</b> 138,000 km		mi/km
		Date
<b>90,000 mi</b> 144,000 km (or 6 years)		mi/km
		Date

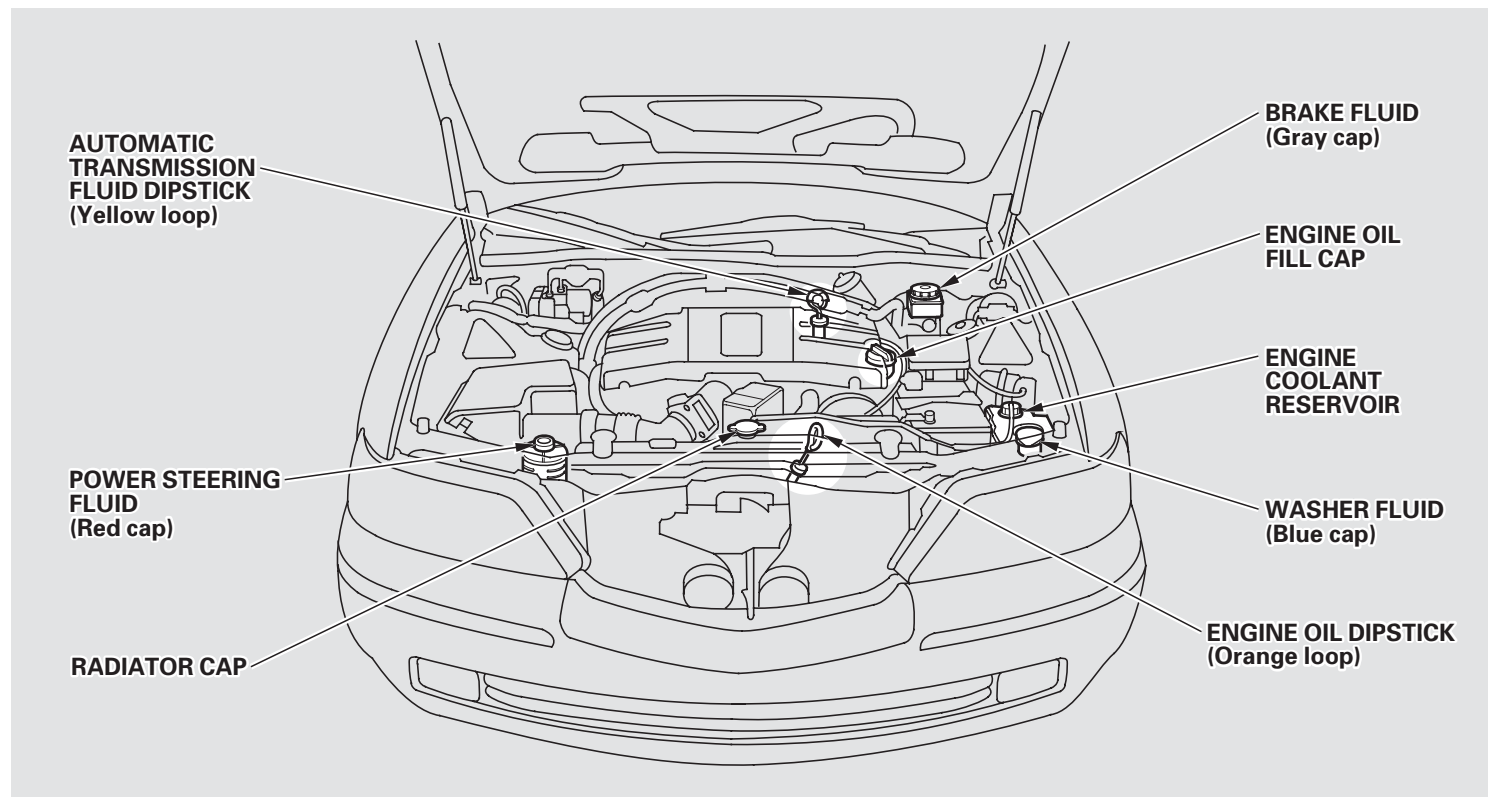
<b>93,750 mi</b> 150,000 km	Signature or dealer stamp	mi/km
		Date
<b>97,500 mi</b> 156,000 km		mi/km
		Date
<b>101,250 mi</b> 162,000 km		mi/km
		Date
<b>105,000 mi</b> 168,000 km (or 7 years)		mi/km
		Date
<b>108,750 mi</b> 174,000 km		mi/km
		Date
<b>112,500 mi</b> 180,000 km		mi/km
		Date
<b>116,250 mi</b> 186,000 km		mi/km
		Date
<b>120,000 mi</b> 192,000 km (or 8 years)		mi/km
		Date

You should check the following items at the specified intervals. If you are unsure of how to perform any check, turn to the page given.

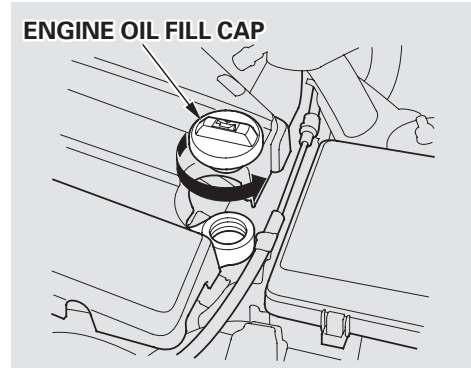
- Engine oil level — Check every time you fill the fuel tank. See page [181](#) .
- Engine coolant level — Check the radiator reserve tank every time you fill the fuel tank. See page [182](#) .
- Windshield washer fluid — Check the level in the reservoir monthly. If weather conditions cause you to use the washers frequently, check the reservoir each time you stop for fuel. See page [237](#) .
- Automatic transmission — Check the fluid level monthly. See page [238](#) .
- Brakes — Check the fluid level monthly. See page [240](#) .
- Tires — Check the tire pressure monthly. Examine the tread for wear and foreign objects. See page [255](#) .
- Lights — Check the operation of the headlights, parking lights, taillights, high-mount brake light, turn signals, brake lights, and license plate lights monthly. See page [260](#) .

# Fluid Locations

---



## Adding Oil



To add oil, unscrew and remove the engine oil fill cap on top of the left valve cover. Pour in the oil, and replace the engine oil fill cap. Tighten it securely. Wait a few minutes and recheck the oil level. Do not fill above the upper mark; you could damage the engine.

## Recommended Oil

Oil is major contributor to your engine's performance and longevity. Always use a premium-grade detergent oil displaying the API Certification Seal. This seal indicates the oil is energy conserving, and that it meets the American Petroleum Institute's latest requirements. It is highly recommended that you use Honda Motor Oil in your vehicle for as long as you own it.

Make sure the API Certification Seal says "For Gasoline Engines."

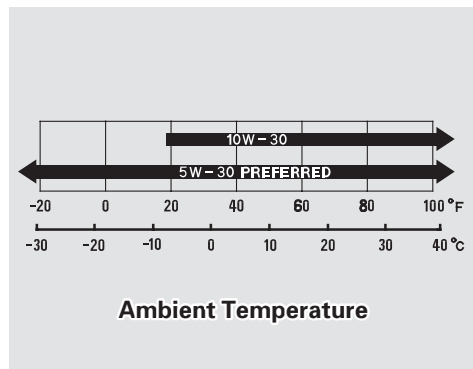


*CONTINUED*

# Engine Oil

---

The numbers on the container's label tell you the oil's viscosity or weight. Select the oil for your car according to this chart.



An oil with a viscosity of 5W-30 is preferred for optimum fuel economy and year-round protection in your Acura. You may use a 10W-30 oil if the temperature in your area never goes below 20°F (-7°C).

## Synthetic Oil

You may use a synthetic motor oil if it meets the same requirements given for conventional motor oil: it displays the API Certification Seal, and it is the proper weight as shown on the chart. When using synthetic oil, you must follow the oil and filter change intervals given in the maintenance schedule.

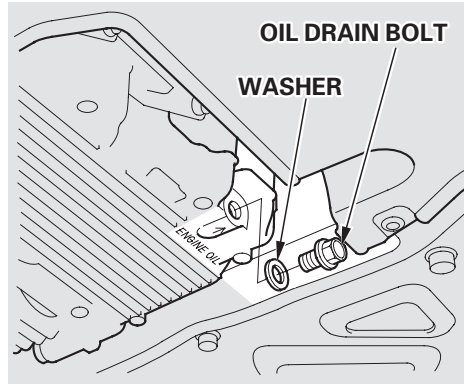
## Additives

Your Acura does not need any oil additives. Purchasing additives for the engine or transmission will not increase your car's performance or longevity. It only increases the cost of operating your car.

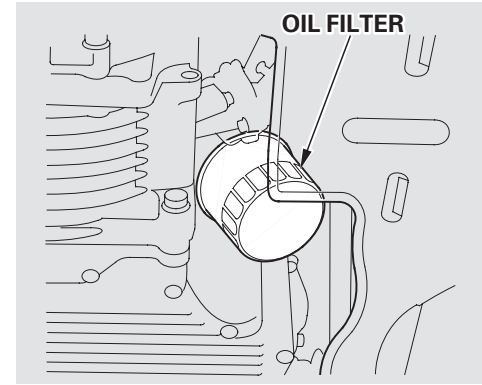
## Changing the Oil and Filter

Always change the oil and filter according to the time and distance (miles/kilometers) recommendations in the maintenance schedule. The oil and filter collect contaminants that can damage your engine if they are not removed regularly.

Changing the oil and filter requires special tools and access from underneath the car. The car should be raised on a service station-type hydraulic lift for this service. Unless you have the knowledge and proper equipment, you should have this maintenance done by a skilled mechanic.



1. Run the engine until it reaches normal operating temperature, then shut it off.
2. Open the hood and remove the engine oil fill cap. Remove the oil drain bolt and washer from the bottom of the engine. Drain the oil into an appropriate container.



3. Remove the oil filter and let the remaining oil drain. A special wrench (available from your Acura dealer) is required to remove the filter.

*CONTINUED*



## Engine Oil

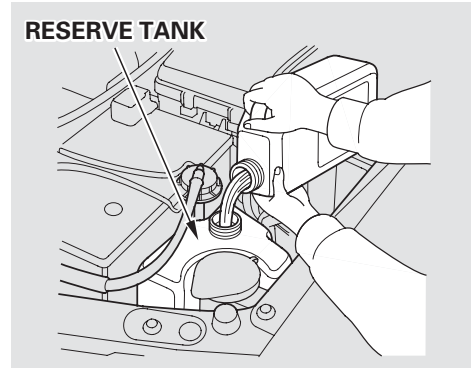
---

4. Install a new oil filter according to instructions that come with it.
5. Put a new washer on the drain bolt, then reinstall the drain bolt.  
Tighten it to:  
33 lbf·ft (44 N·m , 4.5 kgf·m)
6. Refill the engine with the recommended oil.  
Engine oil change capacity  
(including filter):  
4.9 US qt (4.6 ℓ , 4.0 Imp qt)
7. Replace the engine oil fill cap.  
Start the engine. The oil pressure indicator light should go out within five seconds. If it does not, turn off the engine and reinspect your work.
8. Let the engine run for several minutes and check the drain bolt and oil filter for leaks.
9. Turn off the engine, let it sit for several minutes, then check the oil level. If necessary, add oil to bring the level to the upper mark on the dipstick.

### NOTICE

*Improper disposal of engine oil can be harmful to the environment. If you change your own oil, please dispose of the used oil properly. Put it in a sealed container and take it to a recycling center. Do not discard it in a trash bin or dump it on the ground.*

## Adding Engine Coolant



If the coolant level in the reserve tank is at or below the MIN line, add coolant to bring it up to the MAX line. Inspect the cooling system for leaks. The coolant you add should always be a mixture of 50 percent antifreeze and 50 percent water. Never add straight antifreeze or plain water.

Always use Honda All Season Antifreeze/Coolant Type 2. This coolant is pre-mixed with 50 percent antifreeze and 50 percent water. It does not require any additional mixing.

If it is not available, you may use another major-brand non-silicate coolant as a temporary replacement. Make sure it is a high-quality coolant recommended for aluminum engines. However, continued use of any non-Honda coolant can result in corrosion, causing the cooling system to malfunction or fail. Have the cooling system flushed and refilled with Honda antifreeze/coolant as soon as possible.

If the reserve tank is completely empty, you should also check the coolant level in the radiator.

### **⚠ WARNING**

Removing the radiator cap while the engine is hot can cause the coolant to spray out, seriously scalding you.

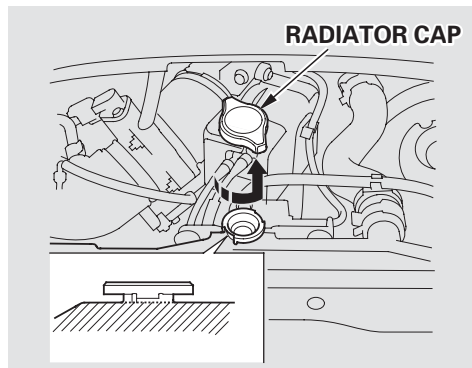
Always let the engine and radiator cool down before removing the radiator cap.

1. Make sure the engine and radiator are cool.

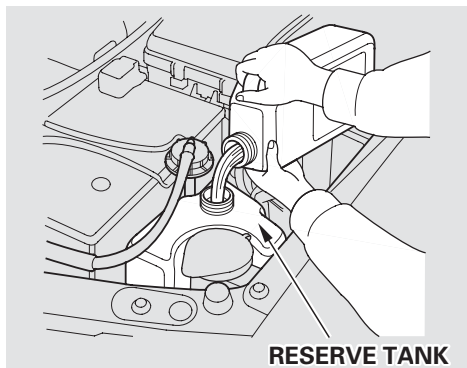
*CONTINUED*

## Cooling System

---



2. Turn the radiator cap counter-clockwise, without pressing down on it, until it stops. This relieves any pressure remaining in the cooling system.
3. Remove the radiator cap by pushing down and turning counterclockwise.



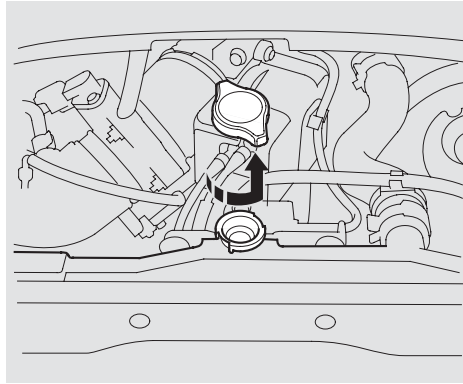
4. The coolant level should be up to the base of the filler neck. Add coolant if it is low.
5. Put the radiator cap back on. Tighten it fully.
6. Pour coolant into the reserve tank. Fill it to halfway between the MAX and MIN marks. Put the cap back on the reserve tank.

Do not add any rust inhibitors or other additives to your car's cooling system. They may not be compatible with the coolant or engine components.

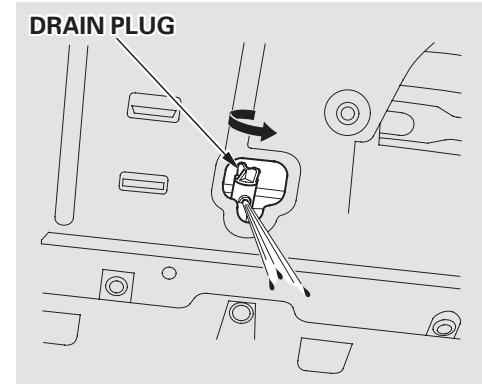
## Replacing Engine Coolant

The cooling system should be completely drained and refilled with new coolant according to the time and distance recommendations in the maintenance schedule. Only use Honda All Season Antifreeze/Coolant Type 2. Use of any non-Honda coolant or plain water can result in corrosion and deposits in the cooling system.

Draining the coolant requires access to the underside of the car. Unless you have the tools and knowledge, you should have this maintenance done by a skilled mechanic.



1. Turn the ignition ON (II). Turn the heater temperature control dial to maximum heat (climate control to 90° F/32° C). Turn off the ignition. Open the hood. Make sure the engine and radiator are cool to the touch.
2. Remove the radiator cap.

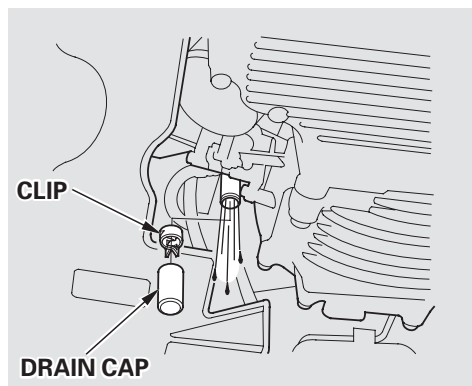


3. Loosen the drain plug on the bottom of the radiator. The coolant will come out through the hole in the splash cover.

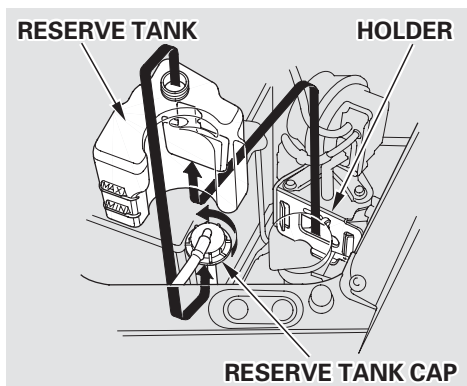
*CONTINUED*

## Cooling System

---



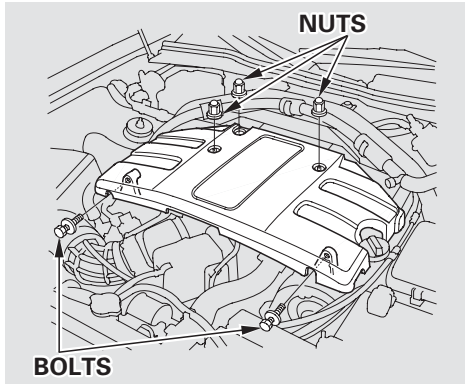
4. On the right side of the engine block, remove the clip with a plier, and then remove the drain cap.



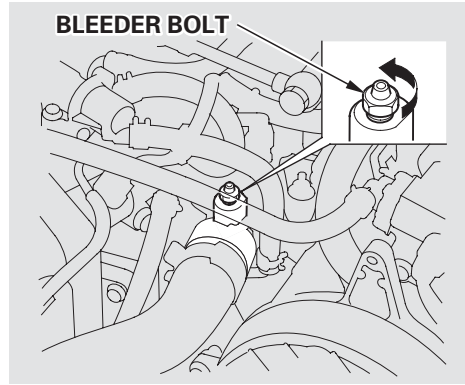
5. Remove the reserve tank from its holder by pulling it straight up. Drain the coolant, then put the tank back in its holder.

6. When the coolant stops draining, tighten the drain plug at the bottom of the radiator.

Put the drain cap back in place tightly, then reinstall the clip on the drain cap securely.



7. Remove the two bolts and the three nuts with a 7/16 in (10 mm) wrench, then remove the engine cover.

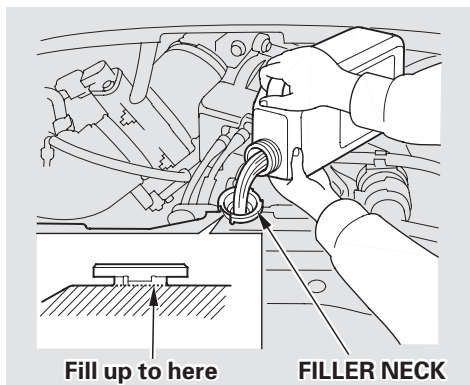


8. Loosen the bleeder bolt on top of the engine.

9. Pour Honda All Season Antifreeze/Coolant Type 2 into the radiator up to the base of the filler neck. This coolant is a mixture of 50 percent antifreeze and 50 percent water. Pre-mixing is not required.  
The cooling system capacity is:  
1.61 US gal (6.1 ℓ , 1.34 Imp gal)
10. Tighten the bleeder bolt when coolant comes out in a steady stream with no bubbles.

*CONTINUED*

## Cooling System



11. Fill the reserve tank to the MAX mark. Install the reserve tank cap.
12. Check the level in the radiator, add coolant if needed.

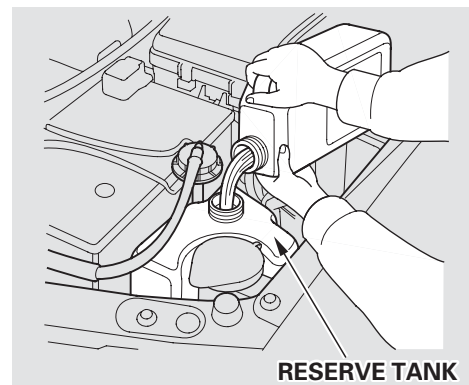
13. Install the engine cover. First tighten the two bolts on the front of the engine cover, then tighten the three nuts on the engine cover. Tightening torque:  
7 lbf·ft (9.8 N·m , 1.0 kgf·m)

14. Install the radiator cap, and tighten it to the first stop.

15. Start the engine and let it run until the radiator cooling fan comes on at least twice. Then stop the engine.

16. Remove the radiator cap. Pour coolant into the radiator up to the base of the filler neck and into the reserve tank up to the MAX mark.

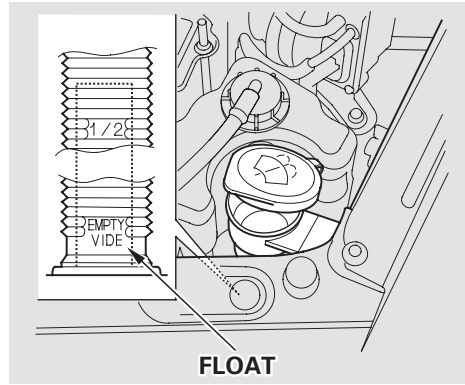
17. Start the engine and hold it at 1,500 rpm until the cooling fan comes on. Turn off the engine. Check the coolant level in the radiator and add coolant if needed.



18. Install the radiator cap, and tighten it fully.
19. If necessary, fill the reserve tank to the MAX mark. Install the reserve tank cap.

Check the level in the windshield washer reservoir at least monthly during normal usage. In bad weather, when you use the washers often, check the level every time you stop for fuel.

The windshield washer reservoir is located behind the driver's side headlight.



Check the reservoir's fluid level by removing the cap and looking at the float. It should be up to the top of the neck. If the float is at the bottom of the neck, the reservoir is nearly empty.

Fill the reservoir with a good-quality windshield washer fluid. This increases the cleaning capability and prevents freezing in cold weather.

### NOTICE

*Do not use engine antifreeze or a vinegar/water solution in the windshield washer reservoir.*

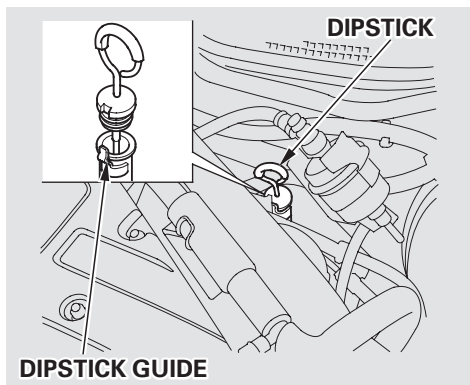
*Antifreeze can damage your car's paint, while a vinegar/water solution can damage the windshield washer pump.*

*Use only commercially-available windshield washer fluid.*

When you refill the reservoir, clean the edges of the windshield wiper blades with windshield washer fluid on a clean cloth. This will help to condition the blade edges.

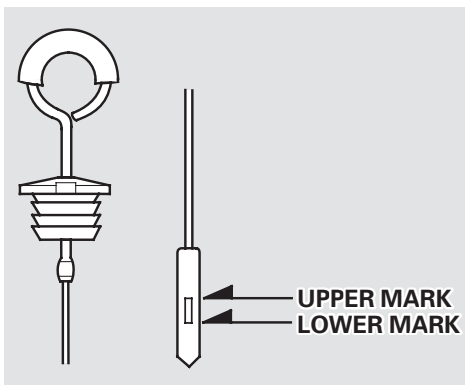


# Automatic Transmission Fluid



Check the fluid level with the engine at normal operating temperature.

1. Park the car on level ground. Shut off the engine.
2. Remove the dipstick (yellow loop) from the transmission and wipe it with a clean cloth.



3. Insert the dipstick into the transmission. Make sure the notch in the rubber cap fits in the dipstick guide and that you push the dipstick in all the way.
4. Remove the dipstick and check the fluid level. It should be between the upper and lower marks.

5. If the level is below the lower mark, add fluid into the tube to bring it to the upper mark. Always use Honda ATF-Z1 (Automatic Transmission Fluid). If it is not available, you may use a DEXRON® III automatic transmission fluid as a temporary replacement. However, continued use can affect shift quality. Have the transmission flushed and refilled with Honda ATF-Z1 as soon as it is convenient.

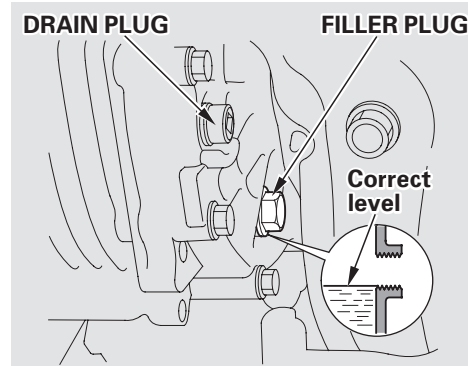
To thoroughly flush the transmission, the technician should drain and refill it with Honda ATF-Z1 (Automatic Transmission Fluid), then drive the vehicle a short distance. Do this three times. Then drain and refill the transmission a final time.

# Automatic Transmission Fluid, Differential Oil

6. Insert the dipstick back in the transmission. Make sure the notch fits in the dipstick guide and the dipstick is down all the way.

The transmission should be drained and refilled with new fluid according to the time and distance recommendations in the maintenance schedule.

## Differential Oil



Check the oil in the differential with the car sitting level. Remove the oil filler plug and check that the oil level is up to the edge of the hole.

If it is not, slowly add oil until it starts to run out of the hole. Reinstall the filler plug and tighten it securely.

Use a SAE 90 or SAE 80W-90 viscosity hypoid gear oil, API service classified GL4 or GL5 only, in the differential.

Viscosity

SAE 90: above 0°F (− 18°C)

SAE 80W-90: below 0°F (− 18°C)

The differential oil should be drained and refilled with new oil according to the time and distance recommendations in the maintenance schedule.

## Brake Fluid, Power Steering

### Brake Fluid

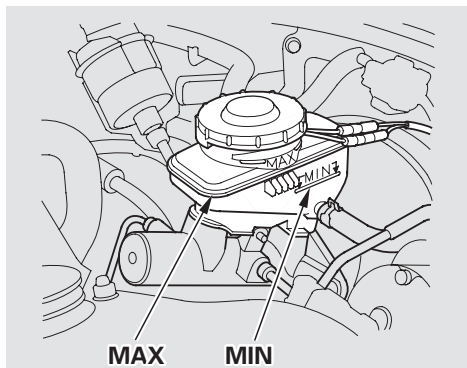
Check the fluid level in the brake fluid reservoir monthly.

The brake fluid should be replaced according to the time recommendation in the maintenance schedule.

Always use Honda Heavy Duty Brake Fluid DOT 3. If it is not available, you should use only DOT 3 or DOT 4 fluid, from a sealed container, as a temporary replacement. However, the use of any non-Honda brake fluid can cause corrosion and decrease the life of the system. Have the brake system flushed and refilled with Honda Heavy Duty Brake Fluid DOT 3 as soon as possible.

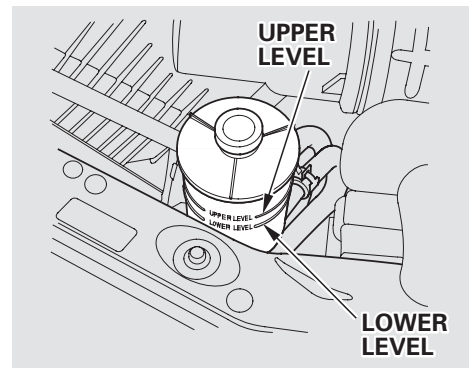
Brake fluid marked DOT 5 is not compatible with your car's braking system and can cause extensive damage.

### Brake System



The fluid level should be between the MIN and MAX marks on the side of the reservoir. If the level is at or below the MIN mark, your brake system needs attention. Have the brake system inspected for leaks or worn brake pads.

### Power Steering



You should check the fluid level in the power steering reservoir at least once a year. Check the level when the engine is cold. Look at the side of the reservoir. The fluid should be between the UPPER LEVEL and LOWER LEVEL. If it is below the LOWER LEVEL, add power steering fluid to the UPPER LEVEL.

# Power Steering, Hood Latch, Air Cleaner Element

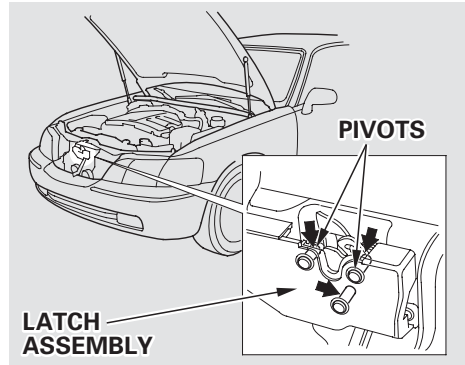
Always use Honda Power Steering Fluid. If it is not available, you may use another power steering fluid as an emergency replacement. However, continued use can cause increased wear and poor steering in cold weather. Have the power steering system flushed and refilled with Honda PSF as soon as possible.

A low power steering fluid level can indicate a leak in the system. Check the fluid level frequently and have the system inspected as soon as possible.

## NOTICE

*Turning the steering wheel to full left or right lock and holding it there can damage the power steering pump.*

## Hood Latch



Clean the hood latch assembly with a mild cleaner, then lubricate it with a multipurpose grease. Lubricate all the moving parts (as shown), including the pivot. Follow the time and distance recommendations in the Maintenance Schedule. If you are not sure how to clean and grease the latch, contact your Acura dealer.

## Air Cleaner Element

The air cleaner element should be cleaned or replaced according to the time and distance recommendations in the maintenance schedule.

### *Cleaning (Severe Conditions)*

Clean the air cleaner element by blowing compressed air through it in the opposite direction to normal air flow. If you do not have access to compressed air (such as a service station), ask your Acura dealer to do this service.

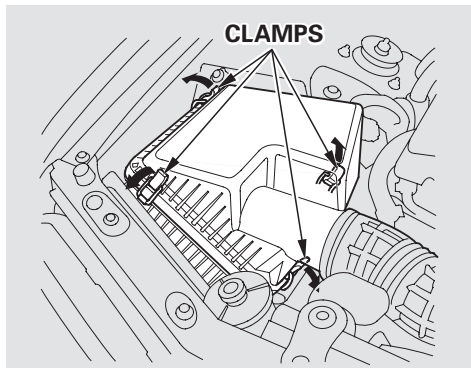
Follow the replacement procedure for removal and reinstallation.

*CONTINUED*

# Air Cleaner Element

---

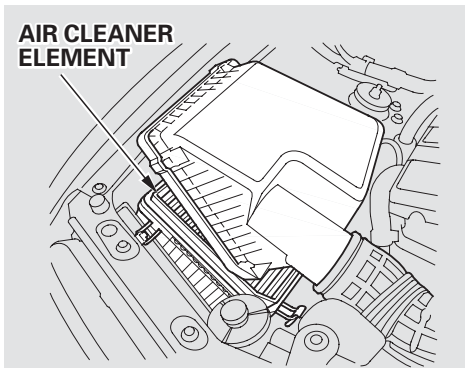
## Replacement



The air cleaner element is inside the air cleaner housing on the passenger's side of the engine compartment.

To replace it:

1. Unsnap the four clamps holding the air cleaner housing cover.

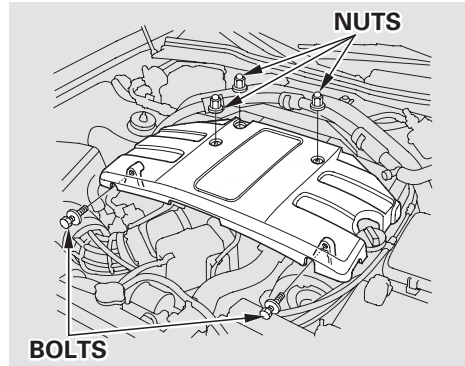


2. Remove the air cleaner housing cover. Do not disconnect the air intake tube from the air cleaner housing cover.
3. Remove the old air cleaner element.
4. Carefully clean the inside of the air cleaner housing with a damp rag.

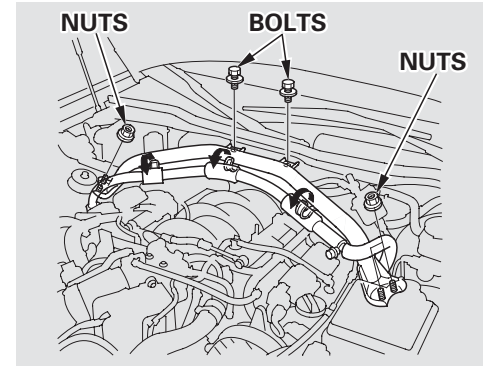
5. Place the new air cleaner element in the air cleaner housing.
6. Reinstall the air cleaner housing cover, snap the four hold-down clamps back into place.

The spark plugs in your car are a special platinum-tipped design for longer life. The spark plugs should be replaced according to the time and distance recommendations in the maintenance schedule.

## Replacement



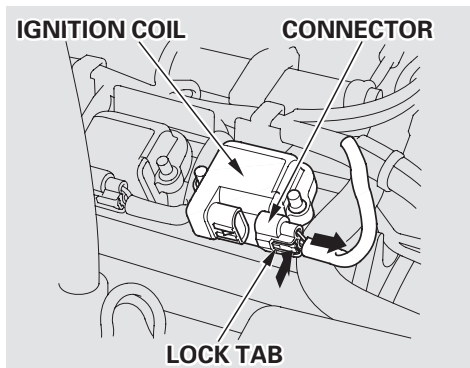
1. Remove the two bolts and the three nuts with a 7/16 inch (10 mm) wrench, then remove the engine cover.



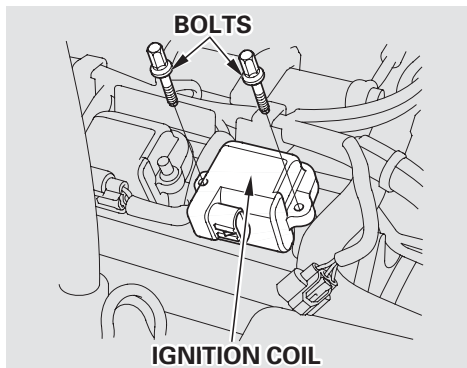
2. Remove the two bolts and the four nuts with a wrench and remove the tower bar. Then remove the A/C tube from the three clips.
3. Clean up any dirt and oil that have collected around the ignition coils.

*CONTINUED*

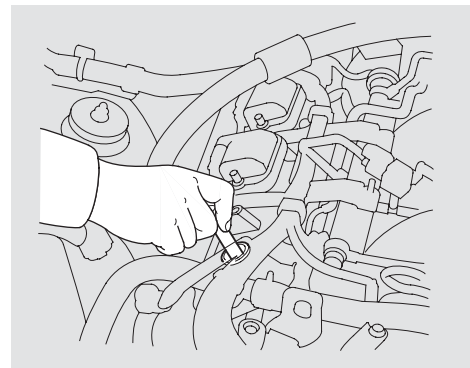
# Spark Plugs



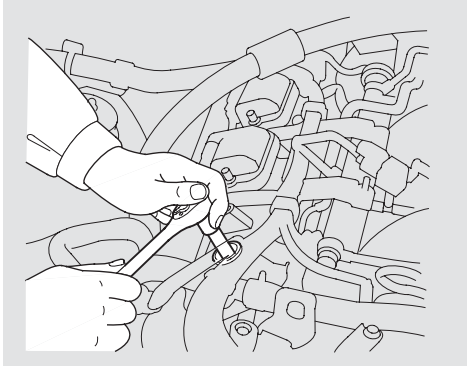
4. Disconnect the wire connector from the ignition coil by pushing on the lock tab and pulling on the connector. Pull on the plastic connector, not the wires.



5. Use a wrench to remove the two bolts holding the ignition coil. Remove the ignition coil by pulling it straight out.
6. Remove the spark plug with a five-eighths inch (16 mm) spark plug socket.



7. Put the new spark plug into the socket, then screw it into the hole. Screw it in by hand so you do not crossthread it.



8. Torque the spark plug. (If you do not have a torque wrench, tighten the spark plug two-thirds of a turn after it contacts the cylinder head.)  
Tightening torque:  
13 lbf·ft (18 N·m , 1.8 kgf·m)

## NOTICE

*Tighten the spark plugs carefully. A spark plug that is too loose can overheat and damage the engine. Overtightening can cause damage to the threads in the cylinder head.*

9. Install the ignition coil. Reinstall the two hold-down bolts.
10. Push the wire connector onto the ignition coil. Make sure it locks in place.
11. Repeat this procedure for the other five spark plugs.

12. Put the A/C tube back in place.
13. Install the tower bar and tighten the two bolts and the four nuts.  
Tightening torque:  
16 lbf·ft (22 N·m , 2.2 kgf·m)
14. Install the engine cover. First tighten the two bolts on the front of the engine cover, then tighten the three nuts on the engine cover.  
Tightening torque:  
7 lbf·ft (9.8 N·m , 1.0 kgf·m)

*CONTINUED*



# Spark Plugs, Battery

---

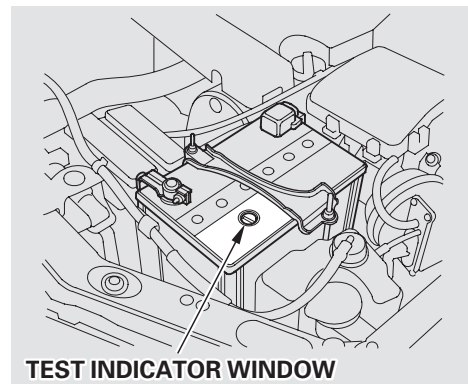
## Specifications:

NGK: PFR5L-11  
DENSO: PK16PR-L11

Spark Plug Gap:  
0.04 in (1.1 mm)<sup>+0</sup><sub>-0.1 mm</sub>

## Battery

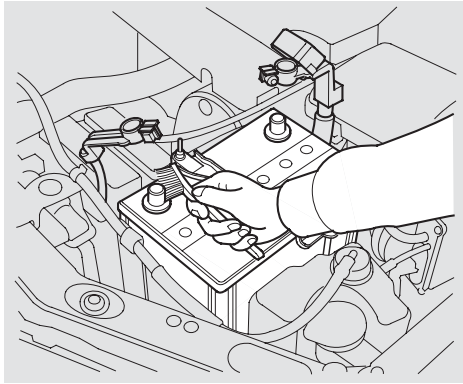
Check the condition of your car's battery monthly. You should check the color of the test indicator window, and for corrosion on the terminals.



Check the battery condition by looking at the test indicator window on the battery. The label on the battery explains the test indicator's colors.

Check the battery terminals for corrosion (a white or yellowish powder). To remove it, cover the terminals with a solution of baking soda and water. It will bubble up and turn brown. When this stops, wash it off with plain water. Dry off the battery with a cloth or paper towel. Coat the terminals with grease to help prevent future corrosion.

**WARNING:** Battery posts, terminals and related accessories contain lead and lead compounds. **Wash hands after handling.**



If the terminals are severely corroded, clean them with baking soda and water. Then use a wrench to loosen and remove the cables from the terminals. Always disconnect the negative (–) cable first and reconnect it last. Clean the battery terminals with a terminal cleaning tool or wire brush. Reconnect and tighten the cables, then coat the terminals with grease.

If you need to connect the battery to a charger, disconnect both cables to prevent damage to the car's electrical system.

## **⚠ WARNING**

The battery gives off explosive hydrogen gas during normal operation.

A spark or flame can cause the battery to explode with enough force to kill or seriously hurt you.

Wear protective clothing and a face shield, or have a skilled mechanic do the battery maintenance.

*CONTINUED*

# Battery

---

If your car's battery is disconnected or goes dead, the engine's computer needs to "relearn" the idle control. After replacing or recharging the battery:

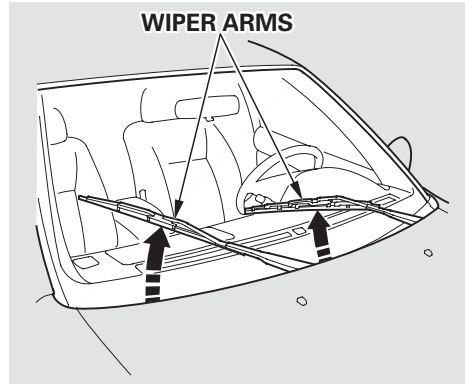
1. Make sure the climate control system is off.
2. Start the engine and let it run until it warms up (the radiator cooling fan comes on at least twice), and let it idle for five more minutes.

Your driver's power window (see page 104 ) and your audio system will also disable itself when the battery is disconnected or goes dead. The next time you turn on the radio you will see "Code" in the frequency display. Use the Preset buttons to enter the five-digit code (see page 156 ).

## NOTICE

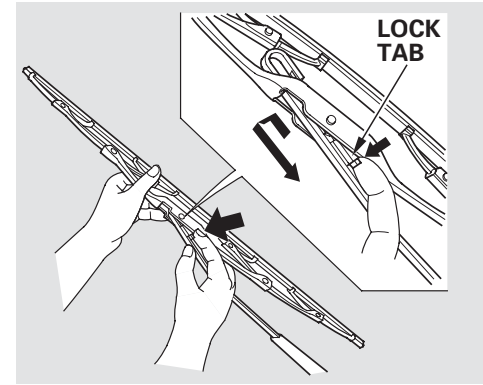
*Charging the battery with the cables connected can seriously damage your car's electronic controls. Detach the battery cables before connecting the battery to a charger.*

Check the condition of the wiper blades at least every six months. Look for signs of cracking in the rubber, or areas that are getting hard. Replace the blades if you find these signs, or if they leave streaks and unwiped areas when used.



To replace the blade:

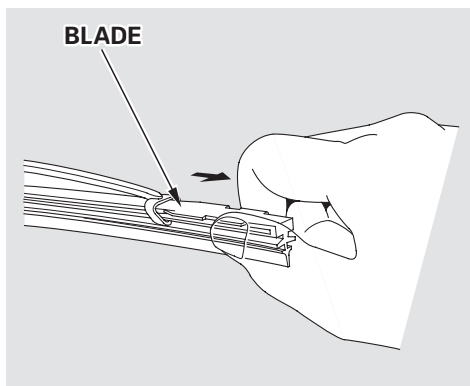
1. Turn the ignition ON (II), switch the wipers to INT or — (low position), then turn the ignition OFF when the wiper arm is approximately midway in its travel.



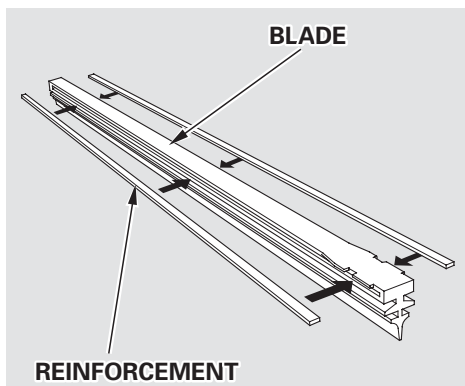
2. Disconnect the blade assembly from the wiper arm by pushing in the lock tab. Hold it in while you push the blade assembly toward the base of the arm.

*CONTINUED*

## Wiper Blades



3. Remove the blade from its holder by grasping the tabbed end of the blade. Pull firmly until the tabs come out of the holder.



4. Examine the new wiper blades. If they have no plastic or metal reinforcement along the back edge, remove the metal reinforcement strips from the old wiper blade and install them in the slots along the edge of the new blade.

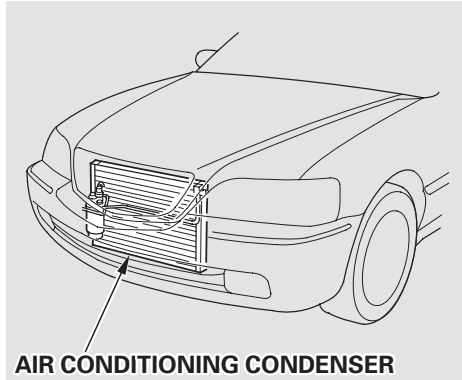
5. Slide the new wiper blade into the holder until the tabs lock.
6. Slide the wiper blade assembly onto the wiper arm. Make sure it locks in place.
7. Turn the ignition switch ON (II) and return the windshield wipers to their park position.

Your car's air conditioning is a sealed system. Any major maintenance, such as recharging, should be done by a qualified mechanic. You can do a couple of things to make sure the air conditioning works efficiently.

Periodically check the engine's radiator and air conditioning condenser for leaves, insects, and dirt stuck to the front surface. These block the air flow and reduce cooling efficiency. Use a light spray from a hose or a soft brush to remove them.

### NOTICE

*The condenser and radiator fins bend easily. Only use a low-pressure spray or soft-bristle brush to clean them.*



Run the air conditioning at least once a week during the cold weather months. Run it for at least ten minutes while you are driving at a steady speed with the engine at normal operating temperature. This circulates the lubricating oil contained in the refrigerant.

If the air conditioning does not get as cold as before, have your dealer check the system. Recharge the system with Refrigerant HFC-134a (R-134a). (See Specifications on page 312.)

### NOTICE

*Whenever you have the air conditioning system serviced, make sure the service facility uses a refrigerant recycling system. This system captures the refrigerant for reuse. Releasing refrigerant into the atmosphere can damage the environment.*

## Air Conditioning Filter, Drive Belts

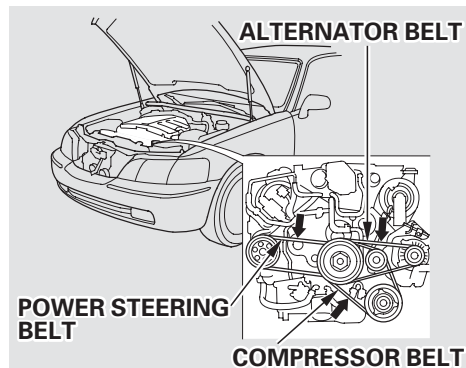
---

### Air Conditioning Filter

The dust and pollen filter removes pollen and dust that is brought in from the outside through the climate control system.

This filter should be replaced every 30,000 miles (48,000 km) under normal conditions. It should be replaced every 15,000 miles (24,000 km) if you drive primarily in urban areas that have high concentrations of soot in the air from industry and diesel-powered vehicles. Replace it more often if air flow from the climate control system becomes less than usual. Have dust and pollen filter replaced by your Acura dealer.

### Drive Belts



Check the condition of the three drive belts. Examine the edges of each belt for cracks or fraying.

Check the tension of each belt by pushing on it with your thumb midway between the pulleys.

The belts should have the following “play” or deflection.

Alternator belt:  
0.37 – 0.45 in (9.5 – 11.5 mm)

Compressor belt:  
0.31 – 0.43 in (8.0 – 11.0 mm)

Power steering belt:  
0.41 – 0.49 in (10.5 – 12.5 mm)

If you see signs of wear or looseness, have your dealer adjust or replace the belts.

### Timing Belt

The timing belt and balancer belt should normally be replaced at the intervals shown in the maintenance schedule.

Replace these belts at 60,000 miles (U.S.) or 100,000 km (Canada) if you regularly drive your car in one or more of these conditions:

- In very high temperatures (over 110°F, 43°C).
- In very low temperatures (under -20°F, -29°C).

### Tires

To safely operate your car, your tires must be the proper type and size, in good condition with adequate tread, and correctly inflated. The following pages give more detailed information on how and when to check air pressure, how to inspect your tires for damage and wear, and what to do when your tires need to be replaced.

#### **▲WARNING**

Using tires that are excessively worn or improperly inflated can cause a crash in which you can be seriously hurt or killed.

Follow all instructions in this owner's manual regarding tire inflation and maintenance.

### Inflation

Keeping the tires properly inflated provides the best combination of handling, tread life, and riding comfort. Underinflated tires wear unevenly, adversely affect handling and fuel economy, and are more likely to fail from being overheated. Overinflated tires can make your car ride more harshly, are more prone to damage from road hazards, and wear unevenly.

We recommend that you visually check your tires every day. If you think a tire might be low, check it immediately with a tire gauge.

*CONTINUED*



# Tires

---

Use a gauge to measure the air pressure at least once a month. Even tires that are in good condition may lose one to two psi (10 to 20 kPa, 0.1 to 0.2 kgf/cm<sup>2</sup>) per month. Remember to check the spare tire at the same time you check all the other tires.

Check the pressure in the tires when they are cold. This means the car has been parked for at least three hours. If you have to drive the car before checking the tire pressure, the tires can still be considered “cold” if you drive less than 1 mile (1.6 km).

If you check the pressure when the tires are hot (the car has been driven several miles), you will see readings 4 to 6 psi (30 to 40 kPa, 0.3 to 0.4 kgf/cm<sup>2</sup>) higher than the cold reading. This is normal. Do not let air out to match the specified cold pressure. The tire will be underinflated.

You should get your own tire pressure gauge and use it whenever you check your tire pressures. This will make it easier for you to tell if a pressure loss is due to a tire problem and not due to a variation between gauges.

## ***Recommended Tire Pressures for Normal Driving***

The following chart shows the recommended cold tire pressures for most normal driving conditions and speeds. Tire pressures for high speed driving are the same as for normal driving.

Tire Size	Cold Tire Pressure for Normal Driving
P225/55R16 94V	Front/Rear: 30 psi (210 kPa , 2.1 kgf/cm <sup>2</sup> )

The compact spare tire pressure is: 60 psi (420 kPa , 4.2 kgf/cm<sup>2</sup>)

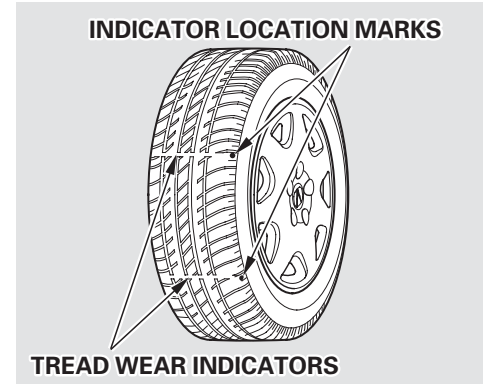
These pressures are also given on the tire information label on the driver’s doorjamb.

Tubeless tires have some ability to self-seal if they are punctured. However, because leakage is often very slow, you should look closely for punctures if a tire starts losing pressure.

## Inspection

Every time you check inflation, you should also examine the tires for damage, foreign objects, and wear. You should look for:

- Bumps or bulges in the tread or side of the tire. Replace the tire if you find either of these conditions.
- Cuts, splits, or cracks in the side of the tire. Replace the tire if you can see fabric or cord.
- Excessive tread wear.



Your car's tires have wear indicators molded into the tread. When the tread wears down to that point, you will see a 1/2 inch (12.7 mm) wide band running across the tread. This shows there is less than 1/16 inch (1.6 mm) of tread left on the tire. A tire that is this worn gives very little traction on wet roads. You should replace the tire if you can see the tread wear indicator in three or more places around the tire.

# Tires

## Maintenance

In addition to proper inflation, correct wheel alignment helps to decrease tire wear. If you find a tire is worn unevenly, have your dealer check the wheel alignment.

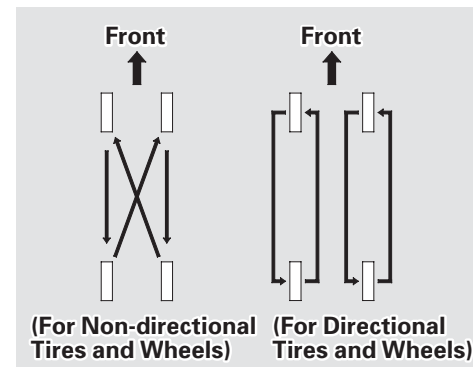
The tires were properly balanced by the factory. They may need to be rebalanced at some time before they are worn out. Have your dealer check the tires if you feel a consistent vibration while driving. A tire should always be rebalanced if it is removed from the wheel for repair.

Make sure the installer balances the wheels when you have new tires installed. This increases riding comfort and tire life. Your car's original tires were dynamic or "spin" balanced at the factory. For best results, have the installer perform a dynamic balance.

### NOTICE

*Improper wheel weights can damage your vehicle's aluminum wheels. Use only Genuine Acura wheel weights for balancing.*

## Tire Rotation



To help increase tire life and distribute wear more evenly, you should have the tires rotated every 7,500 miles (12,000 km). Move the tires to the positions shown in the chart each time they are rotated.

When shopping for replacement tires, you may find that some tires are “directional.” This means they are designed to rotate only in one direction. If you use directional tires, they should be rotated only front-to-back.

### Replacing Tires and Wheels

The tires that came with your car were selected to match the performance capabilities of the car while providing the best combination of handling, ride comfort, and long life. You should replace them with radial tires of the same size, load range, speed rating, and maximum cold tire pressure rating (as shown on the tire’s sidewall). Mixing radial and bias-ply tires on your car can reduce its braking ability, traction, and steering accuracy.

### **▲WARNING**

Installing improper tires on your car can affect handling and stability. This can cause a crash in which you can be seriously hurt or killed.

Always use the size and type of tires recommended in this owner’s manual.

It is best to replace all four tires at the same time. If that is not possible or necessary, then replace the two front tires or the two rear tires as a pair. Replacing just one tire can seriously affect your car’s handling.

*CONTINUED*

# Tires

---

The ABS and VSA system work by comparing the speed of the wheels. When replacing tires, use the same size originally supplied with the car. Tire size and construction can affect wheel speed and may cause the system to work inconsistently.

If you ever need to replace a wheel, make sure you use an identical style aluminum alloy wheel that originally came on your Acura. Replacement wheels are available at your Acura dealer.

## Wheels and Tires

Wheels:

16 x 7 JJ

Tires:

P225/55R16 94V

See page [314](#) for information about DOT Tire Quality Grading.

## Winter Driving

Tires that are marked “M+S” or “All Season” on the sidewall have an all-weather tread design. They should be suitable for most winter driving conditions. Tires without these markings are designed for optimum traction in dry conditions. They may not provide adequate performance in winter driving. For the best performance in snowy or icy conditions, you should install snow tires or tire chains. They may be required by local laws under certain conditions.

## ***Snow Tires***

If you mount snow tires on your Acura, make sure they are radial tires of the same size and load range as the original tires. Mount snow tires on all four wheels to balance your car's handling in all weather conditions. Keep in mind the traction provided by snow tires on dry roads may not be as high as your car's original equipment tires. You should drive cautiously even when the roads are clear. Check with the tire dealer for maximum speed recommendations.

## ***Tire Chains***

Because your Acura has limited tire clearance, mount only SAE Class "S" cable-type traction devices on the front tires. Use traction devices only when required by driving conditions or local laws. Make sure they are the correct size for your tires.

Metal link-type "chains" should not be used. No matter how tight they seem to be installed, they can come into contact with the body and suspension, causing serious damage.

When installing cables, follow the manufacturer's instructions and mount them as tightly as you can. Drive slowly with them installed. If you hear them coming in contact with the body or chassis, stop and investigate. Make sure the cables are installed tightly, and that they are not contacting the brake lines or suspension. Remove them as soon as you begin driving on cleared roads.

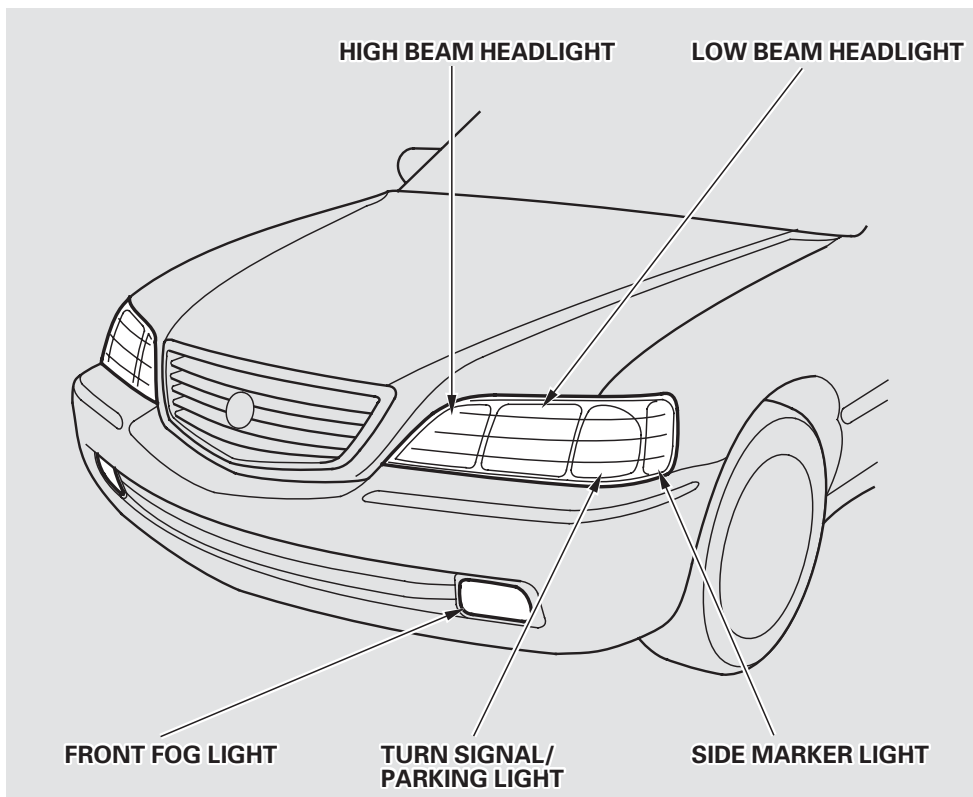
### **NOTICE**

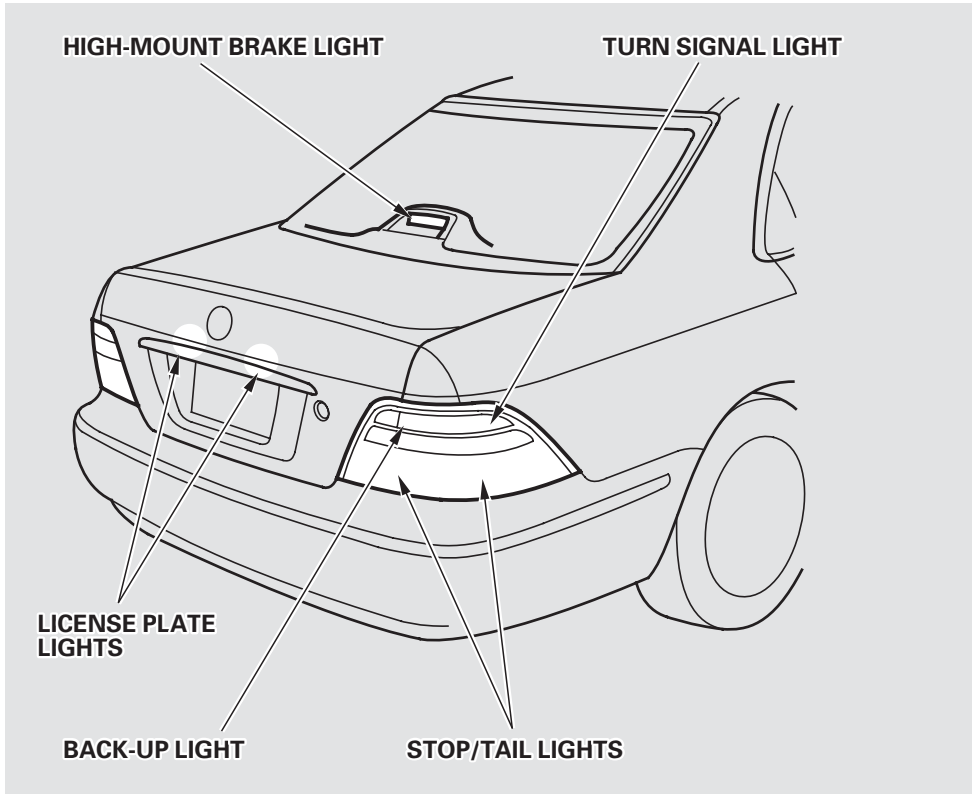
*Traction devices that are the wrong size or improperly installed can damage your car's brake lines, suspension, body, and wheels. Stop driving if they are hitting any part of the car.*

# Lights

---

Check the operation of your car's exterior lights at least once a month. A burned out bulb can create an unsafe condition by reducing your car's visibility and the ability to signal your intentions to other drivers.





Check the following:

- Headlights (low and high beam)
- Fog lights
- Parking lights
- Taillights
- Brake lights
- Turn signals
- Back-up lights
- Hazard light function
- License plate light
- Side marker lights
- High-mount brake light
- Daytime running lights (Canadian models)

If you find any bulbs are burned out, replace them as soon as possible. Refer to the chart on page [313](#) to determine what type of replacement bulb is needed.



# Lights

---

## Headlight Aiming

The headlights were properly aimed when your car was new. If you regularly carry heavy items in the trunk or pull a trailer, readjustment may be required. Adjustment of the headlights should be performed by an Acura technician or other qualified mechanic.

## Replacing a High Beam Headlight Bulb

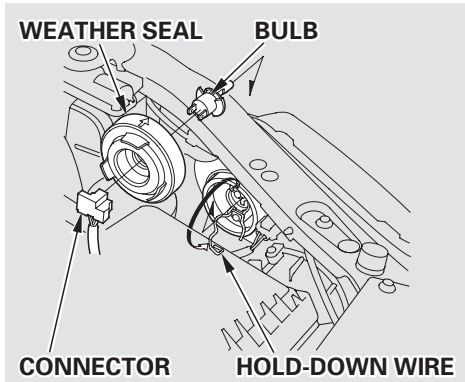
The low beam headlight bulbs are a type of high voltage discharge tube. High voltage can remain in the circuit even with the light switch off and the key removed. Because of this, you should not attempt to examine or change a low beam headlight bulb yourself. If a low beam headlight bulb fails, take the car to your dealer to have it replaced.

Halogen bulbs are used for the high beam headlight bulbs. When replacing a high beam headlight bulb, handle it by its base and protect the glass from contact with your skin or hard objects. If you touch the glass, clean it with denatured alcohol and a clean cloth.

### NOTICE

*Halogen bulbs get very hot when lit. Oil, perspiration, or a scratch on the glass can cause the bulb to overheat and shatter.*

1. Open the hood.
2. Remove the electrical connector from the bulb by pulling the connector straight back.
3. Remove the rubber weather seal by pulling on the tab.



4. Unclip the end of the hold-down wire from its slot. Pivot it out of the way and remove the bulb.
5. Insert the new bulb into the hole, making sure the bulb is right side up and the nubs on the bulb base fit in the indentations in the headlight assembly. Pivot the hold-down wire back in place and clip the end into the slot.

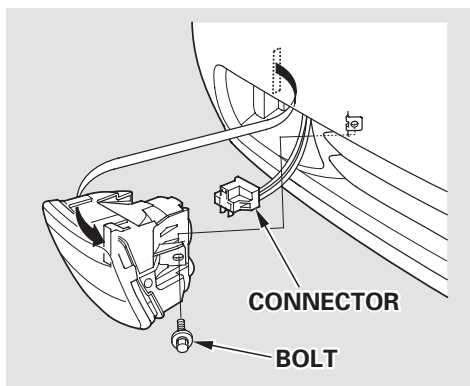
6. Install the rubber seal over the back of the headlight assembly. Make sure it is right side up; it is marked "→."
7. Push the electrical connector onto the new bulb. Turn on the headlights to test the new bulb.

## Replacing a Fog Light Bulb

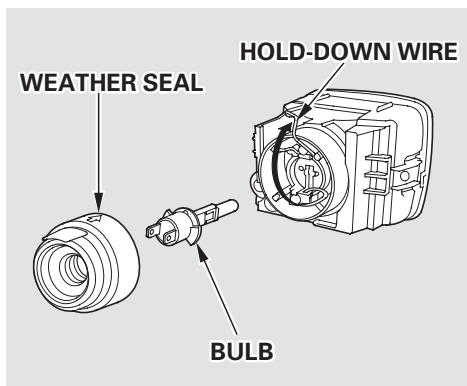
Your car uses halogen fog light bulbs. See page [262](#) for information on replacing a halogen bulb.

*CONTINUED*

# Lights



1. Use a wrench to loosen the light assembly's mounting bolt.
2. Remove the light assembly from the bumper.
3. Remove the electrical connector from the bulb by pulling the connector straight back.



4. Remove the rubber weather seal by pulling on the tab.
5. Unclip the end of the hold-down wire from its slot. Pivot the wire out of the way and remove the bulb.

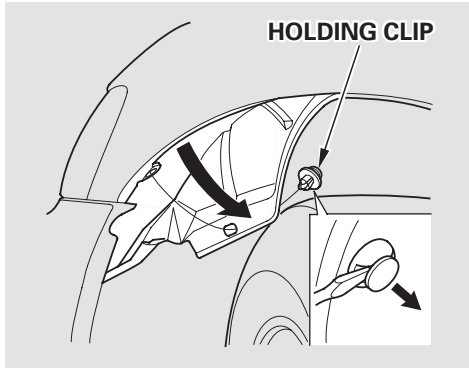
6. Insert the new bulb into the hole, making sure the bulb is right side up and the nubs on the bulb base fit in the indentations in the fog light assembly. Pivot the hold-down wire back in place and clip the end into the slot.

7. Install the rubber seal over the back of the fog light assembly. Make sure it is right side up; it is marked "→."

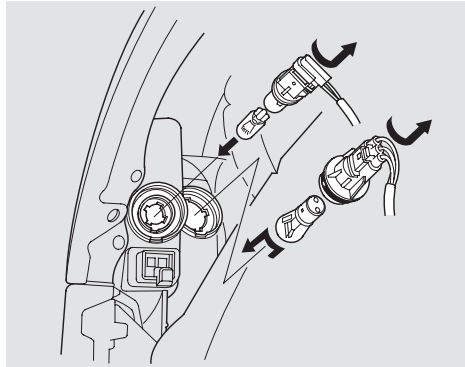
8. Push the electrical connector onto the new bulb. Turn on the front fog lights to test the new bulb.

9. Put the light assembly into the bumper. Tighten the mounting bolt.

## Replacing Front Turn Signal/ Parking and Side Marker Light Bulbs



1. If you are changing the bulb on the driver's side, start the engine, turn the steering wheel all the way to the right, and turn off the engine. If you are changing the bulb on the passenger's side, turn the steering wheel to the left.

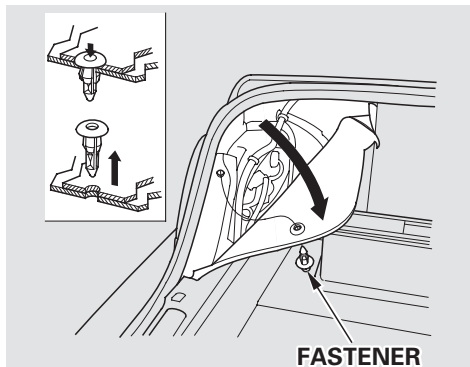


2. Use a flat-tipped screwdriver to remove the holding clip from the inner fender.
3. Pull the inner fender cover back.
4. Remove the socket from the headlight assembly by turning it one-quarter turn counterclockwise.

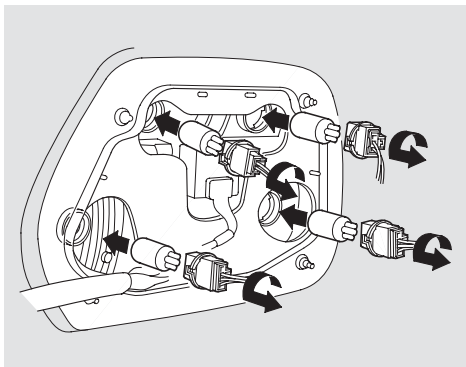
5. To remove the front turn signal/parking light bulb, push it in slightly and turn it counterclockwise. To remove the side marker bulb, pull it straight out of its socket.
6. Install the new bulb into the socket.
7. Insert the socket back into the headlight assembly. Turn it clockwise to lock it in place.
8. Test the lights to make sure the new bulb is working.
9. Put the inner fender cover in place. Install the holding clip. Lock it in place by pushing on the center.

# Lights

## Replacing Rear Bulbs

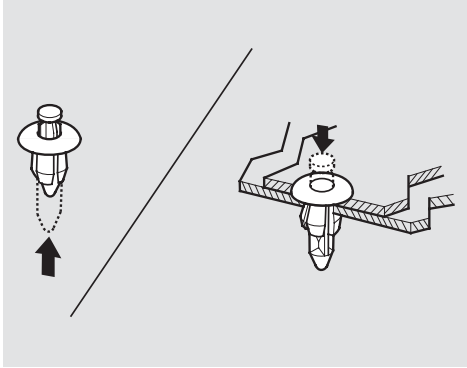


1. Open the trunk.  
Undo the fastener on the side of the trunk lining by pushing on the center of the fastener's head until it pops in. Pull the lining back.



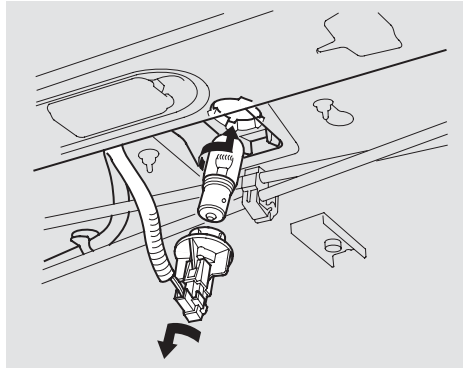
2. Determine which of the four bulbs is burned out: stop/taillights, back-up light, or turn signal.
3. Remove the socket by turning it one-quarter turn counterclockwise.

4. Pull the bulb straight out of its socket.  
Push the new bulb straight into the socket until it bottoms.
5. Reinstall the socket into the light assembly by turning it clockwise until it locks.
6. Test the lights to make sure the new bulb is working.
7. Reinstall the trunk lining. Make sure it is installed under the edge of the trunk seal.



8. Reset the fastener by pushing on the pointed end until it pops back almost flush with the fingers on the housing.
9. Put the fastener in the hole in the side of the trunk lining and push on the center until it locks (the center is flush with the head).

## Replacing a High-mount Brake Light Bulb

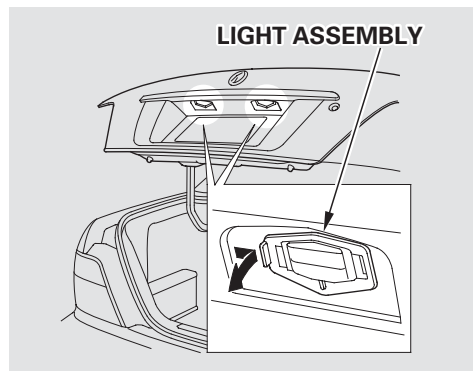


1. Open the trunk and remove the socket from the light assembly by turning it one-quarter turn counter-clockwise.
2. Remove the bulb by pushing it in slightly and turning it counter-clockwise.  
Install the new bulb in the socket.

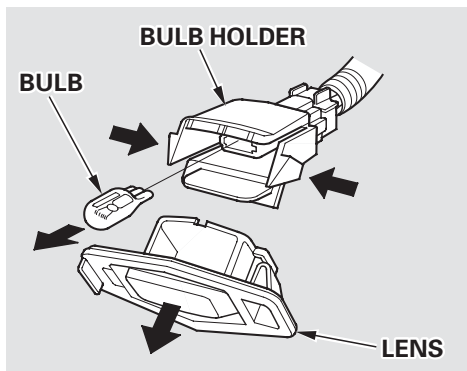
3. Reinstall the socket. Turn it clockwise until it locks.
4. Test the lights to make sure the new bulb is working.

# Lights

## Replacing a Rear License Plate Bulb



1. Remove the license light assembly by carefully prying on the left edge of the lens with a flat-tip screwdriver and pulling the assembly out.

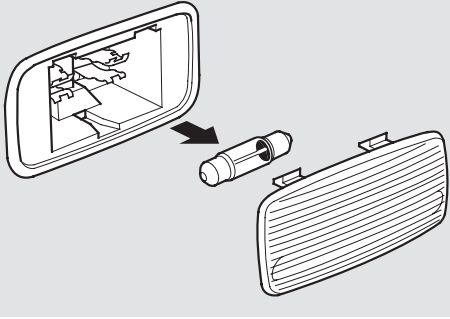


2. Remove the lens from the bulb holder by pulling the lens while squeezing the tabs on both sides of the holder.

3. Pull the bulb straight out of its socket. Push the new bulb in until it bottoms in the socket.
4. Turn on the parking lights and check that the new bulb is working.
5. Put the lens back on the bulb holder and push it until it latches.
6. Slide the right side of the light assembly into the hole. Push on the left side to latch the assembly into place.

## Replacing Bulbs in the Interior Courtesy Lights

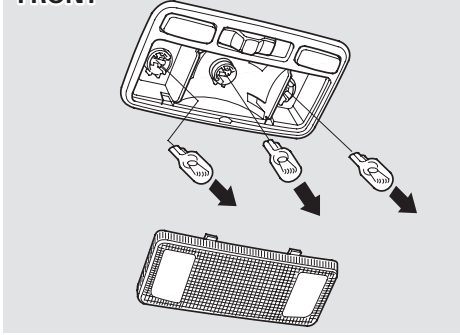
### DOOR LIGHT



The courtesy lights in the doors and roof come apart the same way. They do not use the same type of bulb.

1. Remove the lens by carefully prying on the edge of the lens with a fingernail file or a small flat-tip screwdriver. Do not pry on the edge of the housing around the lens.

### FRONT



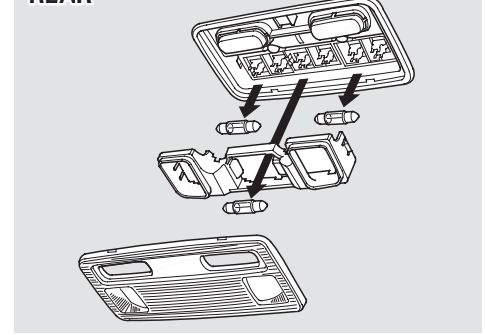
Door light:

Pry on the top middle of the lens.

Front ceiling light:

Pry on the front edge of the lens in the middle.

### REAR



Rear ceiling light:

Pry on the rear edge of the lens in the middle. Remove the bulb cover by pulling it straight down.

Vanity mirror light:

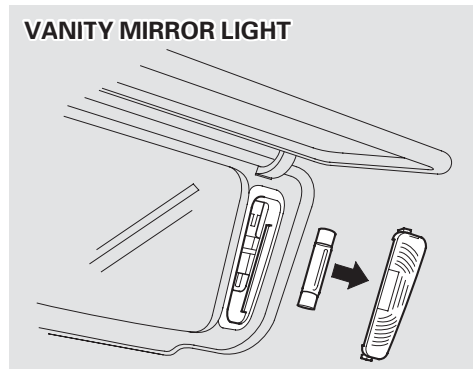
Pry on the top middle of the lens.

*CONTINUED*



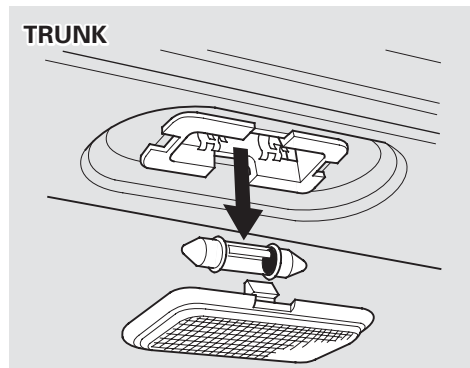
# Lights

---



2. Remove the bulb by pulling it straight out of its metal tabs.
3. Push the new bulb into the metal tabs. Snap the lens back in place.

## Replacing the Trunk Light Bulb



1. Remove the lens by carefully prying on the edge of the lens in the middle with a fingernail file or a small flat-tip screwdriver. Do not pry on the edge of the housing around the lens.

2. Remove the bulb by pulling it straight out of its metal tabs.
3. Push the new bulb into the metal tabs. Snap the lens back in place.

If you need to park your car for an extended period (more than one month), there are several things you should do to prepare it for storage. Proper preparation helps prevent deterioration and makes it easier to get your car back on the road. If possible, store your car indoors.

- Fill the fuel tank.
- Change the engine oil and filter (see page [229](#)).
- Wash and dry the exterior completely.
- Clean the interior. Make sure the carpeting, floor mats, etc. are completely dry.
- Leave the parking brake off. Put the transmission in Park.

- Block the rear wheels.
- If the car is to be stored for a longer period, it should be supported on jackstands so the tires are off the ground.
- Leave one window open slightly (if the car is being stored indoors).
- Disconnect the battery.
- Support the front wiper blade arms with a folded towel or rag so they do not touch the windshield.
- To minimize sticking, apply a silicone spray lubricant to all door and trunk seals. Also, apply a vehicle body wax to the painted surfaces that mate with the door and trunk seals.

- Cover the car with a “breathable” cover, one made from a porous material such as cotton. Nonporous materials, such as plastic sheeting, trap moisture, which can damage the paint.
- If possible, run the engine for a while periodically (preferably once a month).

If you store your car for 12 months or longer, have your Acura dealer perform the inspections called for in the 24 months/30,000 miles (48,000 km) maintenance schedule (Normal Conditions) as soon as you take it out of storage (see page [218](#)). The replacements called for in the maintenance schedule are not needed unless the car has actually reached that time or mileage.



Regular cleaning and polishing of your Acura helps to keep it “new” looking. This section gives you hints on how to clean your car and preserve its appearance: the paint, brightwork, wheels and interior. Also included are several things you can do to help prevent corrosion.

Exterior Care.....	274
Washing.....	274
Waxing.....	275
Aluminum Wheels.....	275
Paint Touch-up.....	275
Interior Care.....	276
Carpeting.....	276
Floor Mats.....	276
Fabric.....	277
Vinyl.....	277
Leather.....	277
Seat Belts.....	277
Wood Trim.....	278
Windows.....	278
Air Fresheners.....	278
Corrosion Protection.....	279
Body Repairs.....	280

## Exterior Care

---

### Washing

Frequent washing helps preserve your car's beauty. Dirt and grit can scratch the paint, while tree sap and bird droppings can permanently ruin the finish.

Wash your car in a shady area, not in direct sunlight. If the car is parked in the sun, move it into the shade and let the exterior cool down before you start.

Only use the solvents and cleaners recommended in this Owner's Manual.

#### NOTICE

*Chemical solvents and strong cleaners can damage the paint, metal, and plastic on your car.*

- Rinse the car thoroughly with cool water to remove loose dirt.
  - Fill a bucket with cool water. Mix in a mild detergent, such as dishwashing liquid or a product made especially for car washing.
  - Wash the car using the water and detergent solution and a soft-bristle brush, sponge, or soft cloth. Start at the top and work your way down. Rinse frequently.
  - Check the body for road tar, tree sap, etc. Remove these stains with tar remover or turpentine. Rinse it off immediately so it does not harm the finish. Remember to re-wax these areas, even if the rest of the car does not need waxing.
- When you have washed and rinsed the whole exterior, dry it with a chamois or soft towel. Letting it air-dry will cause dulling and water spots.

As you dry the car, inspect it for chips and scratches that could allow corrosion to start. Repair them with touch-up paint (see page [275](#)).

### **Waxing**

Always wash and dry the whole car before waxing it. You should wax your car, including the metal trim, whenever water sits on the surface in large patches. It should form into beads or droplets after waxing.

You should use a quality liquid or paste wax. Apply it according to the instructions on the container. In general, there are two types of products:

**Waxes** — A wax coats the finish and protects it from damage by exposure to sunlight, air pollution, etc. You should use a wax on your Acura when it is new.

**Polishes** — Polishes and cleaner/waxes can restore the shine to paint that has oxidized and lost some of its shine. They normally contain mild abrasives and solvents that remove the top layer of the finish. You

should use a polish on your Acura if the finish does not have its original shine after using a wax.

Cleaning tar, insects, etc. with removers also takes off the wax. Remember to re-wax those areas, even if the rest of the car does not need waxing.

### **Aluminum Wheels**

Clean your Acura's aluminum alloy wheels as you do the rest of the exterior. Wash them with the same solution, and rinse them thoroughly.

The wheels have a protective clear-coat that keeps the aluminum from corroding and tarnishing. Using harsh chemicals, including some commercial wheel cleaners, or stiff brushes can damage this clear-coat. Only use a mild detergent and soft brush or sponge to clean the wheels.

### **Paint Touch-up**

Your dealer has touch-up paint to match your vehicle's color. The color code is printed on a sticker on the driver's doorjamb. Take this code to your dealer so you are sure to get the correct color.

Inspect your car frequently for chips or scratches in the paint. Repair them right away to prevent corrosion of the metal underneath. Use the touch-up paint only on small chips and scratches. More extensive paint damage should be repaired by a professional.

## Interior Care

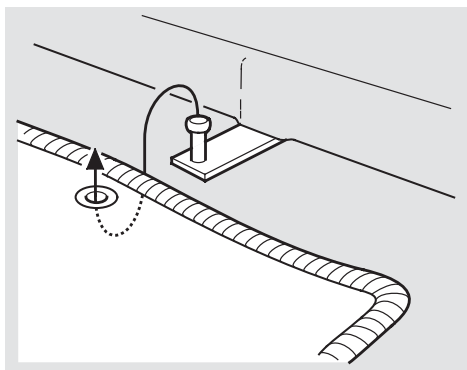
---

### **Carpeting**

Vacuum the carpeting frequently to remove dirt. Ground-in dirt will make the carpet wear out faster.

Periodically shampoo the carpet to keep it looking new. Use one of the foam-type carpet cleaners on the market. Follow the instructions that come with the cleaner, applying it with a sponge or soft brush. Keep the carpeting as dry as possible by not adding water to the foam.

### **Floor Mats**



The genuine Acura driver's floor mat that came with your car was designed to be hooked over the floor mat anchor. This keeps the floor mat from sliding forward and possibly interfering with the pedals.

If you remove the floor mat, make sure to re-anchor it when you put it back in your car.

If you replace it, use a genuine Acura floor mat that is designed to be used with the floor mat anchor in your car.

If you use a non-Acura floor mat in the driver's footwell, make sure it fits properly and that it can be used with the floor mat anchor.

Do not put additional floor mats on top of the anchored mat, otherwise the additional mats may slide forward and interfere with the pedals.

### Fabric

Vacuum dirt and dust out of the material frequently. For general cleaning, use a solution of mild soap and lukewarm water, letting it air dry. To clean off stubborn spots, use a commercially-available fabric cleaner. Test it on a hidden area of the fabric first, to make sure it does not bleach or stain the fabric. Follow the instructions that come with the cleaner.

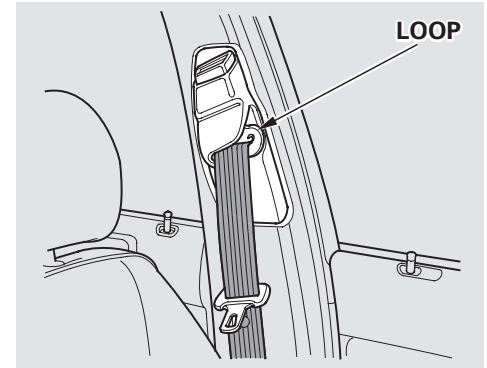
### Vinyl

Remove dirt and dust with a vacuum cleaner. Wipe the vinyl with a soft cloth dampened in a solution of mild soap and water. Use the same solution with a soft-bristle brush on more difficult spots. You can also use commercially-available spray or foam-type vinyl cleaners.

### Leather

Vacuum dirt and dust from the leather frequently. Pay particular attention to the pleats and seams. Clean the leather with a soft cloth dampened with clear water, then buff it with a clean, dry cloth. If further cleaning is needed, use a soap specifically for leather, such as saddle soap. Apply this soap with a damp, soft cloth. Wipe down and buff as described above.

### Seat Belts



If your seat belts get dirty, you can use a soft brush with a mixture of mild soap and warm water to clean them. Do not use bleach, dye, or cleaning solvents. They can weaken the belt material. Let the belts air-dry before you use the car.

*CONTINUED*



## Interior Care

---

Dirt build-up in the loops of the seat belt anchors can cause the belts to retract slowly. Wipe the insides of the loops with a clean cloth dampened in mild soap and warm water or isopropyl alcohol.

### Wood Trim

Clean the wood trim with a soft cloth dipped in clear water and wipe it dry with another soft cloth. Soap may leave a film that dulls the finish.

### Windows

Clean the windows, inside and out, with a commercially-available glass cleaner. You can also use a mixture of one part white vinegar to ten parts water. This will remove the haze that builds up on the inside of the windows. Use a soft cloth or paper towels to clean all glass and clear plastic surfaces.

#### NOTICE

*The rear window defogger and antenna wires are bonded to the inside of the glass. Wiping vigorously up-and-down can dislodge and break these wires. When cleaning the rear window, use gentle pressure and wipe side-to-side.*

### Air Fresheners

If you want to use an air freshener/deodorizer in the interior of your car, it is best to use a solid type. Some liquid air fresheners contain chemicals that may cause parts of the interior trim and fabric to crack or discolor.

If you use a liquid air freshener, make sure you fasten it securely so it does not spill as you drive.

Two factors normally contribute to causing corrosion in your car:

1. Moisture trapped in body cavities. Dirt and road salt that collects in hollows on the underside of the vehicle stays damp, promoting corrosion in that area.
2. Removal of paint and protective coatings from the exterior and underside of the car.

Many corrosion-preventive measures are built into your Acura. You can help keep your car from corroding by performing some simple periodic maintenance:

- Repair chips and scratches in the paint as soon as you discover them.
  - Inspect and clean out the drain holes in the bottom of the doors and body.
  - Check the floor coverings for dampness. Carpeting and floor mats may remain damp for a long time, especially in winter. This dampness can eventually cause the floor panels to corrode.
- Use a high-pressure spray to clean the underside of your car. This is especially important in areas that use road salt in winter. It is also a good idea in humid climates and areas subject to salt air. Be careful of the ABS wheel sensors and wiring at each wheel.
  - Have the corrosion-preventive coatings on the underside of your car inspected and repaired periodically.

## Body Repairs

---

Body repairs can affect your car's resistance to corrosion. If your car needs repairs after a collision, pay close attention to the parts used in the repair and the quality of the work.

Make sure the repair facility uses genuine Acura replacement body parts. Some companies make sheet metal pieces that seem to duplicate the original Acura body parts, but are actually inferior in fit, finish, and corrosion resistance. Once installed, they do not give the same high-quality appearance.

When reporting your collision to the insurance company, tell them you want genuine Acura parts used in the repair. Although most insurers recognize the quality of original parts, some may try to specify that the repairs be done with other available parts. You should investigate this before any repairs have begun.

Take your car to your authorized Acura dealer for inspection after the repairs are completed. Your dealer can make sure that quality materials were used, and that corrosion-preventive coatings were applied to all repaired and replaced parts.

This section covers the more-common problems that motorists experience with their vehicles. It gives you information about how to safely evaluate the problem and what to do to correct it. If the problem has stranded you on the side of the road, you may be able to get going again. If not, you will also find instructions on getting your car towed.

Compact Spare Tire.....	282
Changing a Flat Tire .....	283
If Your Engine Won't Start.....	288
Nothing Happens or the Starter Motor Operates Very Slowly.....	288
The Starter Operates Normally .....	289
Jump Starting .....	290
If Your Engine Overheats.....	293
Low Oil Pressure Indicator .....	295
Charging System Indicator.....	296
Malfunction Indicator Lamp .....	297
Brake System Indicator .....	299
Closing the Moonroof .....	300
Fuses .....	301
Checking and Replacing .....	302
Emergency Towing .....	306

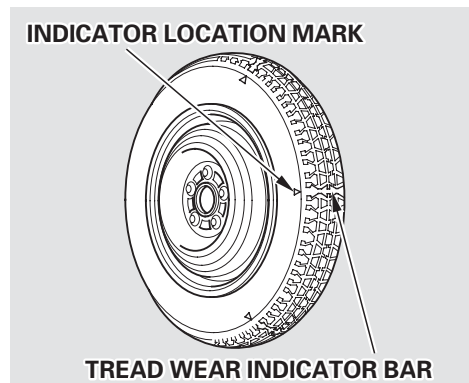
## Compact Spare Tire

Your car has a compact spare tire that takes up less space. Use this spare tire as a temporary replacement only. Get your regular tire repaired or replaced and put it back on your car as soon as you can.

Check the inflation pressure of the compact spare tire every time you check the other tires. It should be inflated to:  
60 psi (420 kPa , 4.2 kgf/cm<sup>2</sup>)

Follow these precautions whenever you are using the compact spare tire:

- Do not exceed 50 mph (80 km/h) under any circumstances.
- This tire gives a harsher ride and less traction on some road surfaces than the regular tire. Use greater caution while driving on this tire.
- Do not mount snow chains on the compact spare.
- The wheel of the compact spare tire is designed especially to fit your car. Do not use your spare tire on another vehicle unless it is the same make and model.
- Turn off the VSA system (see [page 202](#) ). Driving with the compact spare tire may activate the VSA system.



The compact spare tire has a shorter tread life than a regular tire. Replace it when you can see the tread wear indicator bars. The replacement should be the same size and design tire, mounted on the same wheel. The compact spare tire is not designed to be mounted on a regular wheel, and the compact wheel is not designed for mounting a regular tire.

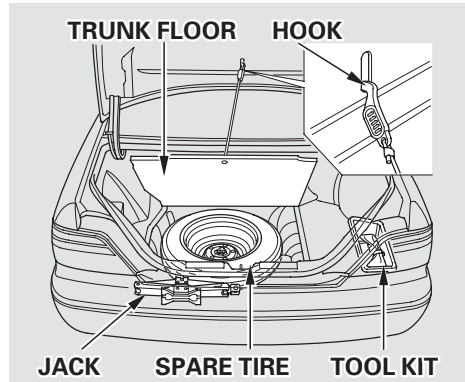
## Changing a Flat Tire

If you have a flat tire while driving, stop in a safe place to change it. Stopping in traffic or on the shoulder of a busy road is dangerous. Drive slowly along the shoulder until you get to an exit or an area to stop that is far away from the traffic lanes.

### **▲WARNING**

The car can easily roll off the jack, seriously injuring anyone underneath.

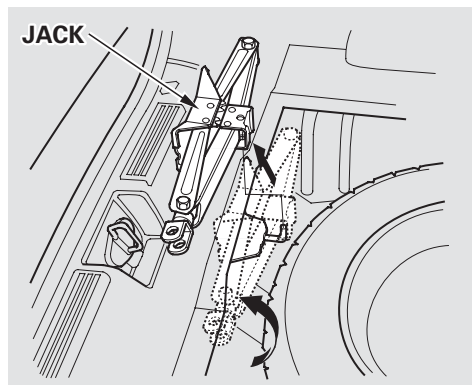
Follow the directions for changing a tire exactly, and never get under the car when it is supported only by the jack.



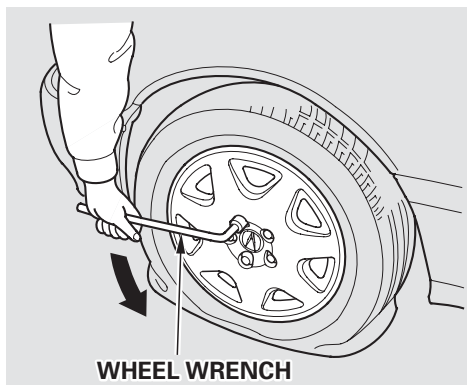
1. Park the car on firm, level, and non-slippery ground away from traffic. Put the transmission in Park. Apply the parking brake.
2. Turn on the hazard warning lights and turn the ignition switch to LOCK (0). Have all the passengers get out of the car while you change the tire.
3. Open the trunk. Raise the trunk floor by lifting up on the back edge. To keep the trunk floor out of the way, attach the hook into the slot in the trunk lid.
4. Take the tool kit out of the trunk.
5. Unscrew the wing bolt and take the spare tire out of its well.

*CONTINUED*

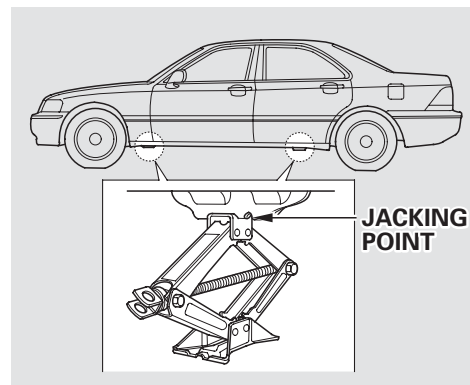
## Changing a Flat Tire



6. Turn the jack's end bracket counterclockwise to loosen it, then remove the jack by lifting it straight up.

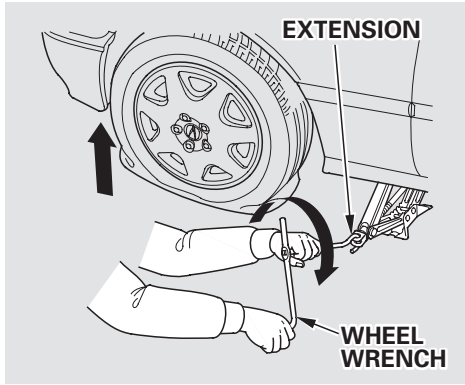


7. Loosen the five wheel nuts 1/2 turn with the wheel wrench.

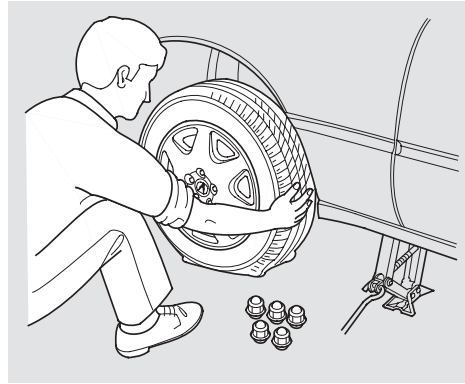


8. Locate the jacking point nearest the tire you need to change. It is pointed to by a  $\triangle$  mark molded into the underside of the body. Place the jack under the jacking point. Turn the end bracket clockwise until the top of the jack contacts the jacking point. Make sure the jacking point tab is resting in the jack notch.

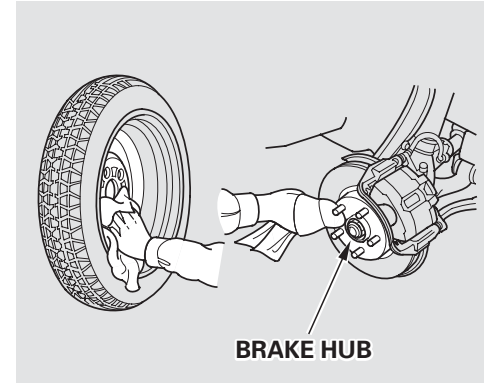
## Changing a Flat Tire



9. Use the extension and wheel wrench as shown to raise the vehicle until the flat tire is off the ground.



10. Remove the wheel nuts and flat tire. Temporarily place the flat tire on the ground with the outside surface of the wheel facing up. You could scratch the wheel if you put it face down.

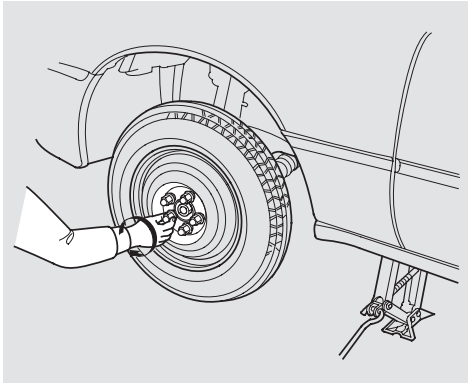


11. Before mounting the spare tire, wipe any dirt off the mounting surface of the wheel and hub with a clean cloth. Wipe the hub carefully, it may be hot from driving.

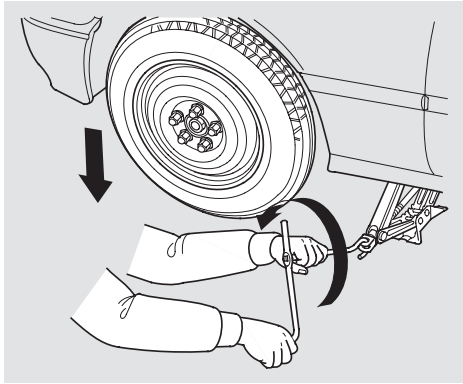
*CONTINUED*



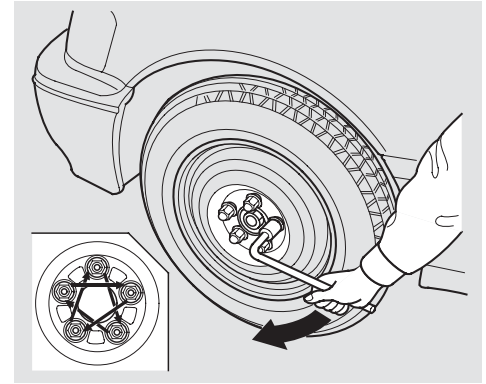
## Changing a Flat Tire



12. Put on the spare tire. Put the wheel nuts back on finger-tight, then tighten them in a crisscross pattern with the wheel wrench until the wheel is firmly against the hub. Do not try to tighten them fully.



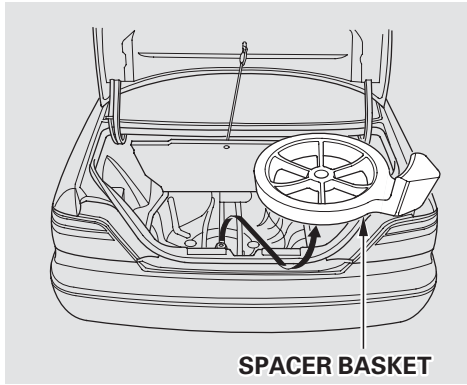
13. Lower the car to the ground and remove the jack.



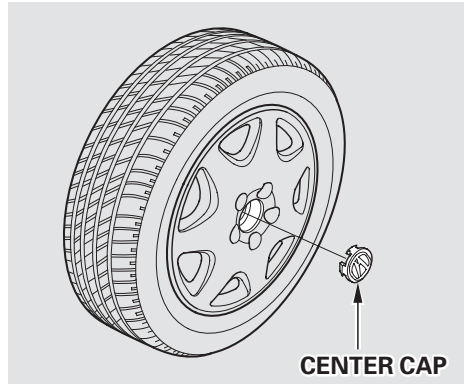
14. Tighten the wheel nuts securely in the same crisscross pattern. Have the wheel nut torque checked at the nearest automotive service facility.

Tighten the wheel nuts to:  
80 lbf·ft (108 N·m , 11 kgf·m)

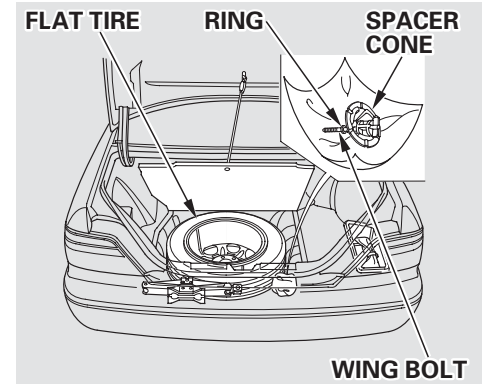
## Changing a Flat Tire



15. Remove the spacer basket from the trunk well.



16. Remove the center cap before storing the flat tire in the trunk well.



17. Place the flat tire face down in the spare tire well.

18. Wrap the spacer cone and spare tire wing bolt with cloth or paper and store them in the trunk well.

*CONTINUED*

## Changing a Flat Tire, If Your Engine Won't Start

---

19. Slip the hole at the top of the jack over the bracket in the trunk well. Turn the jack's end bracket to lock it in place. Store the tool kit back in its place.

### **▲ WARNING**

Loose items can fly around the interior in a crash and could seriously injure the occupants.

Store the wheel, jack, and tools securely before driving.

20. Unclip the hook from the trunk lid and lower the trunk floor.
21. Store the center cap and spacer basket in the trunk. Make sure the center cap will not get scratched or damaged.
22. Close the trunk lid.

### **If Your Engine Won't Start**

Diagnosing why your engine won't start falls into two areas, depending on what you hear when you turn the key to START (III):

- You hear nothing, or almost nothing. The engine's starter motor does not operate at all, or operates very slowly.
- You can hear the starter motor operating normally, or the starter motor sounds like it is spinning faster than normal, but the engine does not start up and run.

### **Nothing Happens or the Starter Motor Operates Very Slowly**

When you turn the ignition switch to START (III), you do not hear the normal noise of the engine trying to start. You may hear a clicking sound or series of clicks, or nothing at all. Check these things:

- Your car has the Immobilizer System. You should use a properly-coded master or valet key to start the engine (see page 75). A key that is not properly coded will cause the immobilizer system indicator in the dash panel to blink rapidly.
- Check the transmission interlock. The transmission must be in Park or Neutral or the starter will not operate.

- Turn the ignition switch to ON (II). Turn on the headlights and check their brightness. If the headlights are very dim or don't light at all, the battery is discharged. See **Jump Starting** on page 290 .
- Turn the ignition switch to START (III). If the headlights do not dim, check the condition of the fuses. If the fuses are OK, there is probably something wrong with the electrical circuit for the ignition switch or starter motor. You will need a qualified technician to determine the problem. (See **Emergency Towing** on page 306 .)

If the headlights dim noticeably or go out when you try to start the engine, either the battery is discharged or the connections are corroded. Check the condition of the battery and terminal connections (see page 246). You can then try jump starting the car from a booster battery (see page 290).

### The Starter Operates Normally

In this case, the starter motor's speed sounds normal, or even faster than normal, when you turn the ignition switch to START (III), but the engine does not run.

- Are you using the proper starting procedure? Refer to **Starting the Engine** on page 191 .

- Do you have fuel? Turn the ignition switch to ON (II) for a minute and watch the fuel gauge. The low fuel level warning light may not be working, so you were not reminded to fill the tank.
- There may be an electrical problem, such as no power to the fuel pump. Check all the fuses (see page 302).

If you find nothing wrong, you will need a qualified technician to find the problem. See **Emergency Towing** on page 306 .

## Jump Starting

---

If your car's battery has run down, you may be able to start the engine by using a booster battery. Although this seems like a simple procedure, you should take several precautions.

### **⚠ WARNING**

A battery can explode if you do not follow the correct procedure, seriously injuring anyone nearby.

Keep all sparks, open flames, and smoking materials away from the battery.

You cannot start your Acura by pushing or pulling it.

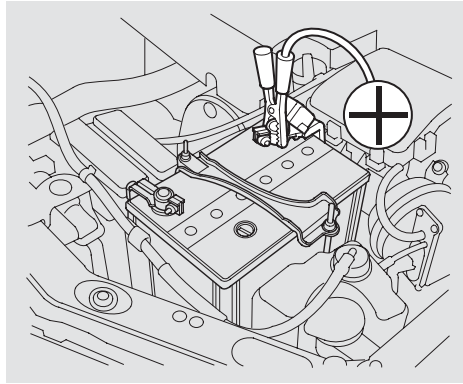
To jump start your car, follow these directions closely:

1. Open the hood and check the physical condition of the battery (see page [246](#)). In very cold weather, check the condition of the electrolyte. If it seems slushy or like ice, do not try jump starting until it thaws.

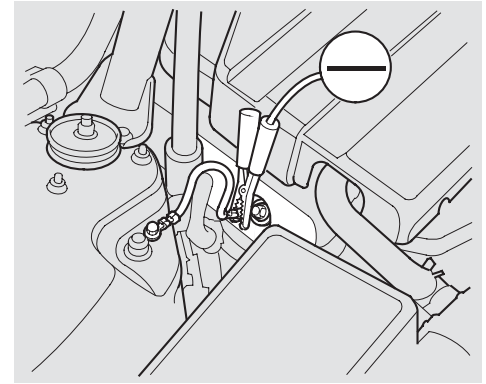
### NOTICE

*If a battery sits in extreme cold, the electrolyte inside can freeze. Attempting to jump start with a frozen battery can cause it to rupture.*

2. Turn off all the electrical accessories: climate control, stereo system, lights, etc. Put the transmission in Neutral or Park, and set the parking brake.



3. Connect one jumper cable to the positive (+) terminal on your Acura's battery. Connect the other end to the positive (+) terminal on the booster battery.

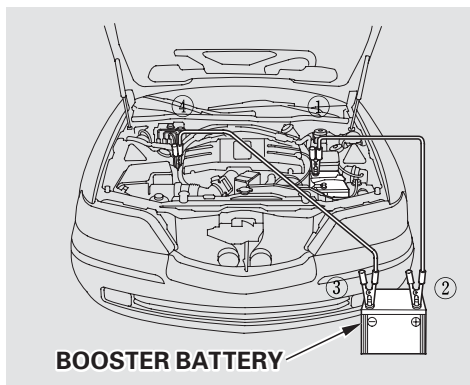


4. Connect the second jumper cable to the negative (-) terminal on the booster battery. Connect the other end to the ground wire on the right side of the engine as shown. Do not connect this jumper cable to any other part of the engine.
5. If the booster battery is in another vehicle, have an assistant start that vehicle and run it at a fast idle.

*CONTINUED*

## Jump Starting

---



6. Start your car. If the starter motor still operates slowly, check the jumper cable connections to make sure they have good metal-to-metal contact.

7. Once your car is running, disconnect the negative cable from your car, then from the booster battery. Disconnect the positive cable from your car, then the booster battery.

Keep the ends of the jumper cables away from each other and any metal on the car until all are disconnected. Otherwise, you may cause an electrical short.

The pointer of your car's temperature gauge should stay in the mid-range under most conditions. It may go higher if you are driving up a long steep hill on a very hot day. If it climbs to the red mark, you should determine the reason.

### NOTICE

*Driving with the temperature gauge pointer at the red mark can cause serious damage to your engine.*

Your car can overheat for several reasons, such as lack of coolant or a mechanical problem. The only indication may be the temperature gauge climbing to or above the red mark. Or you may see steam or spray coming from under the hood. In either case, you should take immediate action.

### WARNING

Steam and spray from an overheated engine can seriously scald you.

Do not open the hood if steam is coming out.

1. Safely pull to the side of the road. Put the transmission in Neutral or Park and set the parking brake. Turn off the climate control and all other accessories. Turn on the hazard warning indicators.
2. If you see steam and/or spray coming from under the hood, turn off the engine.
3. If you do not see steam or spray, leave the engine running and watch the temperature gauge. If the high heat is due to overloading (climbing a long, steep hill on a hot day with the A/C running, for example), the engine should start to cool down almost immediately. If it does, wait until the temperature gauge comes down to the mid-point then continue driving.

*CONTINUED*



## If Your Engine Overheats

---

4. If the temperature gauge stays at the red mark, turn off the engine.
5. Wait until you see no more signs of steam or spray, then open the hood.
6. Look for any obvious coolant leaks, such as a split radiator hose. Everything is still extremely hot, so use caution. If you find a leak, it must be repaired before you continue driving (see **Emergency Towing** on page 306 ).
7. If you don't find an obvious leak, check the coolant level in the radiator reserve tank (see page 182 ). If the level is below the MIN mark, add coolant to halfway between the MIN and MAX marks.
8. If there was no coolant in the reserve tank, you may also have to add coolant to the radiator. Let the engine cool down until the pointer

reaches the middle of the temperature gauge, or lower, before checking the radiator.

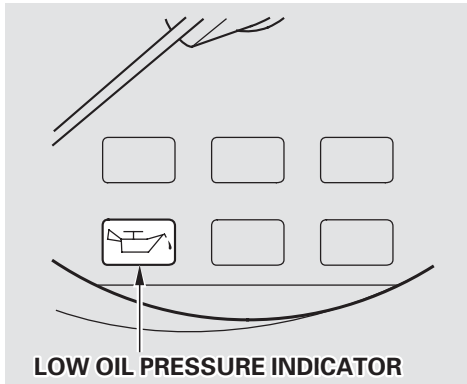
### **WARNING**

Removing the radiator cap while the engine is hot can cause the coolant to spray out, seriously scalding you.

Always let the engine and radiator cool down before removing the radiator cap.

9. Using gloves or a large heavy cloth, turn the radiator cap counterclockwise, without pushing down, to the first stop. This releases any remaining pressure in the cooling system. After the pressure releases, push down on the cap and turn it until it comes off.

10. Start the engine and set the temperature control dial to maximum (climate control to FULL AUTO at 90°F/32°C). Add coolant to the radiator up to the base of the filler neck. If you do not have the proper coolant mixture available, you can add plain water. Remember to have the cooling system drained and refilled with the proper mixture as soon as you can.
11. Put the radiator cap back on tightly. Run the engine and watch the temperature gauge. If it goes back to the red mark, the engine needs repair. (See **Emergency Towing** on page 306 .)
12. If the temperature stays normal, check the coolant level in the radiator reserve tank. If it has gone down, add coolant to the MAX mark. Put the cap back on tightly.



This indicator should light when the ignition switch is ON (II), and go out after the engine starts. It should never come on when the engine is running. If it starts flashing, it indicates that the oil pressure dropped very low for a moment, then recovered. If the indicator stays on with the engine running, it shows that the engine has lost oil pressure and serious engine damage is possible. In either case, you should take immediate action.

### NOTICE

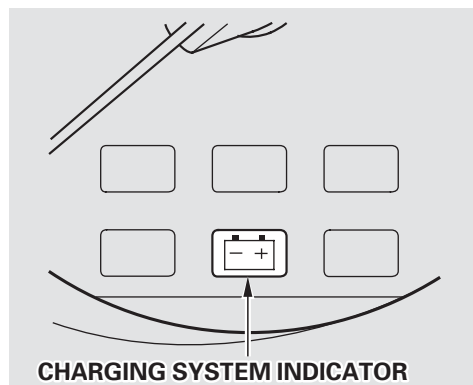
*Running the engine with low oil pressure can cause serious mechanical damage almost immediately. Turn off the engine as soon as you can safely get the car stopped.*

1. Safely pull off the road and shut off the engine. Turn on the hazard warning indicators.
2. Let the car sit for a minute. Open the hood and check the oil level (see page [181](#) ). Although oil level and oil pressure are not directly connected, an engine that is very low on oil can lose pressure during cornering and other driving maneuvers.
3. If necessary, add oil to bring the level back to the full mark on the dipstick (see page [227](#) ).

4. Start the engine and watch the oil pressure indicator. If the light does not go out within ten seconds, turn off the engine. There is a mechanical problem that needs to be repaired before you can continue driving. (See **Emergency Towing** on page [306](#) .)

## Charging System Indicator

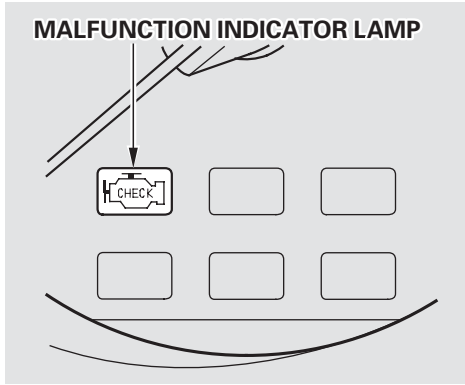
---



This indicator should come on when the ignition switch is ON (II), and go out after the engine starts. If it comes on brightly when the engine is running, it indicates that the charging system has stopped charging the battery.

Immediately turn off all electrical accessories: radio, climate control, rear defogger, cruise control, etc. Try not to use other electrically-operated controls such as the power windows. Keep the engine running and take extra care not to stall it. Starting the engine will discharge the battery rapidly.

By eliminating as much of the electrical load as possible, you can drive several miles (kilometers) before the battery is too discharged to keep the engine running. Drive to a service station or garage where you can get technical assistance.



This indicator comes on for a few seconds when you turn the ignition switch ON (II). If it comes on at any other time, it indicates one of the engine's emissions control systems may have a problem. Even though you may feel no difference in your car's performance, it can reduce your fuel economy and cause your car to put out excessive emissions. Continued operation may cause serious damage.

If you have recently refueled your car, the cause of this indicator coming on could be a loose or missing fuel fill cap. Check the cap and tighten it until it clicks several times. Replace the fuel fill cap if it is missing. Tightening the cap will not make the indicator turn off immediately; it takes at least three driving trips.

If the indicator remains on past three driving trips, or the fuel cap was not loose or missing, have the car checked by the dealer as soon as possible. Drive moderately until the dealer has inspected the problem. Avoid full-throttle acceleration and driving at high speed.

You should also have the dealer inspect your car if this indicator comes on repeatedly, even though it may turn off as you continue driving.

### NOTICE

*If you keep driving with the malfunction indicator lamp on, you can damage your car's emissions controls and engine. Those repairs may not be covered by your car's warranties.*

## Malfunction Indicator Lamp

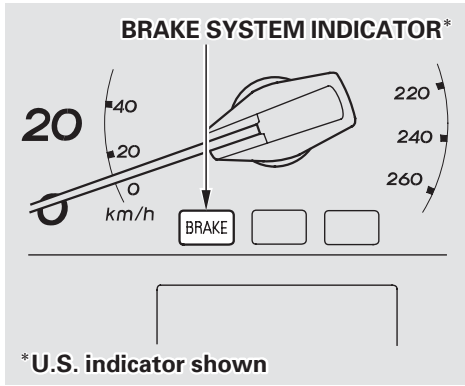
---

### Readiness Codes

Your car has certain “readiness codes” that are part of the on-board diagnostics for the emissions systems. In some states, part of the emissions testing is to make sure these codes are set. If they are not set, the test cannot be completed.

If your car’s battery has been disconnected or gone dead, these codes are erased. It takes several days of driving under various conditions to set the codes again.

If possible, do not take your car for a state emissions test until the readiness codes are set. See State Emissions Testing on pages [321](#) and [322](#) .



The Brake System Indicator normally comes on when you turn the ignition switch ON (II). It is a reminder to check the parking brake. It comes on and stays lit if you do not fully release the parking brake.

If it comes on at any other time, it indicates a problem with the car's brake system. In most cases, the problem is a low fluid level in the brake fluid reservoir. Press lightly on the brake pedal to see if it feels normal. If it does, check the brake fluid level the next time you stop at a service station (see page 240 ). If the fluid level is low, take the car to your dealer and have the brake system inspected for leaks or worn brake pads.

However, if the brake pedal does not feel normal, you should take immediate action. Because of the brake system's dual-circuit design, a problem in one part of the system will still give you braking at two wheels. You will feel the brake pedal go down much farther before the car begins to slow down, and you will have to press harder on the pedal. The distance needed to stop will be much longer.

Slow down by shifting to a lower gear, and pull to the side of the road when it is safe. Because of the longer distance needed to stop, it is hazardous to drive the car. You should have it towed, and repaired as soon as possible. (See **Emergency Towing** on page 306 .)

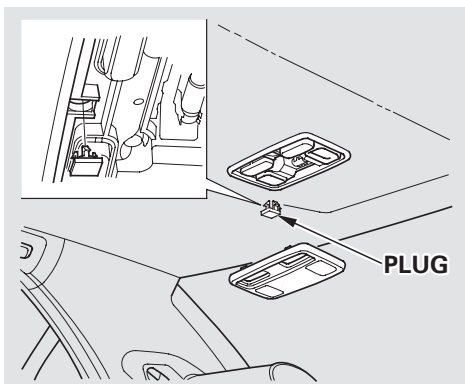
If you must drive the car a short distance in this condition, drive slowly and cautiously.

If the ABS indicator and the VSA system indicator come on with this indicator, have the car inspected by your dealer immediately.

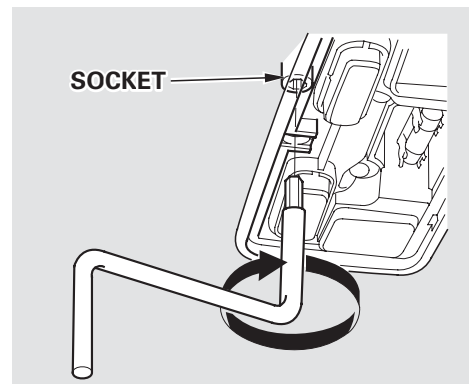
## Closing the Moonroof

If the electric motor will not close the moonroof, do the following:

1. Check the fuse for the moonroof motor (see page [302](#)). If the fuse is blown, replace it with one of the same or lower rating.
2. Try closing the moonroof. If the new fuse blows immediately or the moonroof motor still does not operate, you can close the moonroof manually.
3. Get the moonroof wrench out of the tool kit in the trunk.
4. Remove the lens from the rear ceiling light (see page [269](#)).

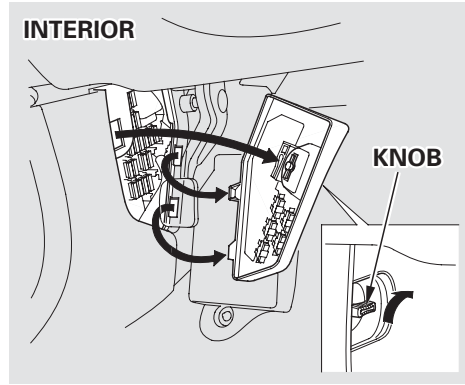


5. Remove the plug in the center of the rear ceiling light.

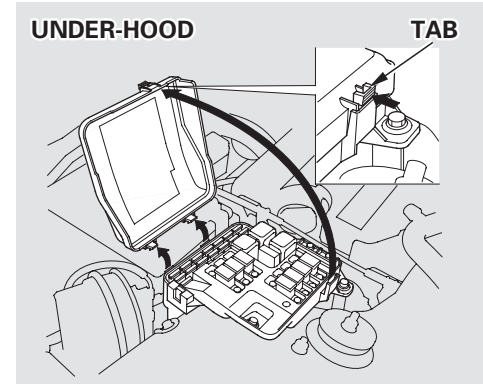


6. Insert the moonroof wrench into the socket behind this plug. Turn the wrench until the moonroof is fully closed.
7. Remove the wrench. Replace the plug and lens.

All the electrical circuits in your car have fuses to protect them from a short circuit or overload. These fuses are located in two fuse boxes.



The interior fuse box is underneath the dashboard on the driver's side. To open it, turn the knob as shown.



The under-hood fuse box is located in the engine compartment next to the battery. To open it, push the tab as shown.



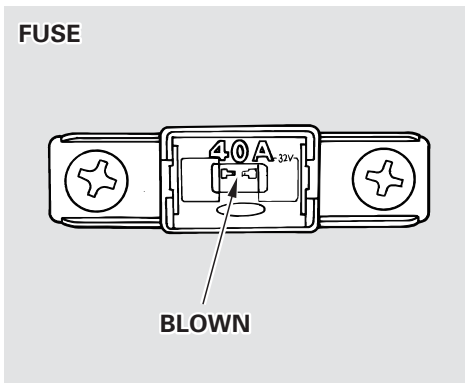
# Fuses

## Checking and Replacing Fuses

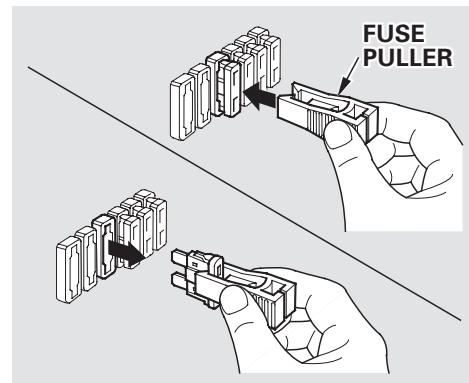
If something electrical in your car stops working, the first thing you should check for is a blown fuse.

Determine from the chart on pages 304 and 305, or the diagram on the fuse box lid, which fuse or fuses control that component. Check those fuses first, but check all the fuses before deciding that a blown fuse is not the cause. Replace any blown fuses and check the component's operation.

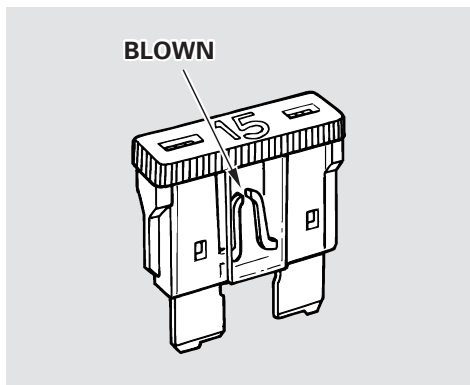
1. Turn the ignition switch to LOCK (0). Make sure the headlights and all other accessories are off.
2. Remove the cover from the fuse box.



3. Check each of the large fuses in the under-hood fuse box by looking through the top at the wire inside. Removing these fuses requires a Phillips-head screwdriver.



4. Check the smaller fuses in the under-hood fuse box and all the fuses in the interior fuse box by pulling out each fuse with the fuse puller provided in the door of the interior fuse box.



5. Look for a burned wire inside the fuse. If it is burned, replace it with one of the spare fuses of the same rating or lower.

If you cannot drive the car without fixing the problem, and you do not have a spare fuse, take a fuse of the same rating or a lower rating from one of the other circuits. Make sure you can do without that circuit temporarily (such as the cigarette lighter or radio).

If you replace the blown fuse with a spare fuse that has a lower rating, it might blow out again. This does not indicate anything wrong. Replace the fuse with one of the correct rating as soon as you can.

## NOTICE

*Replacing a fuse with one that has a higher rating greatly increases the chances of damaging the electrical system. If you do not have a replacement fuse with the proper rating for the circuit, install one with a lower rating.*

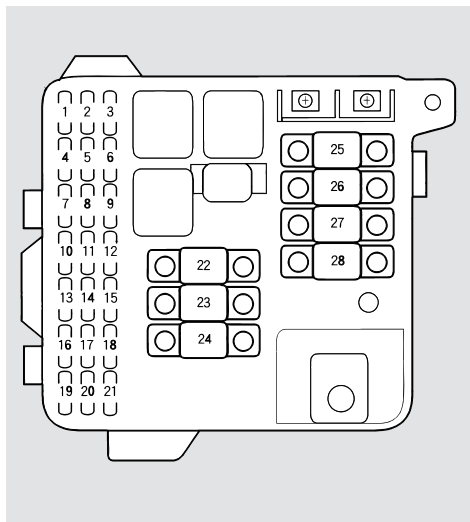
6. If the replacement fuse of the same rating blows in a short time, there is probably a serious electrical problem in your car. Leave the blown fuse in that circuit and have your car checked by a qualified mechanic.

If the radio fuse is removed, the audio system will disable itself. The next time you turn on the radio you will see “Code” in the frequency display. Use the Preset buttons to enter the five-digit code (see page [156](#)).

*CONTINUED*

# Fuses

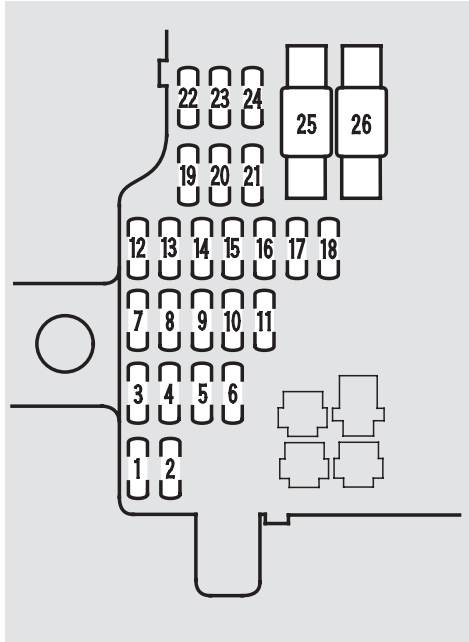
## UNDER-HOOD FUSE BOX



No.	Amps.	Circuits Protected
1	—	Not Used
2	20 A	Stop, Horn
3	10 A	Hazard
4	20 A	Driver Power Window
5	15 A	TCS
6	20 A	VSA
7	20 A	Power Door Lock
8	20 A	Right Headlight Low
9	20 A	Left Headlight Low
10	20 A	Cooling Fan
11	10 A	Left Headlight High
12	10 A	Right Headlight High
13	20 A	Condenser Fan
14	30 A	Moonroof
15	30 A	Front Passenger's Power Seat

No.	Amps.	Circuits Protected
16	20 A	Front Fog Light
17	20 A	ETS (Electrical Tilt/ Telescope Steering)
18	15 A	Meter
19	7.5 A	Back-up, Radio
20	20 A	Interior Lights
21	30 A	Wiper Motor
22	50 A	Ignition Switch
23	40 A	Power Window
24	40 A	Heater Motor
25	120 A	Battery
26	40 A	VSA Motor
27	40 A	Rear Window Defogger
28	50 A	Fuse box

## INTERIOR FUSE BOX



No.	Amps.	Circuits Protected
1	15 A	Small Light
2	—	Not Used (OP)
3	7.5 A	Rear Window Defogger Relay, Cooling Fan Relay
4	10 A	Radio, ACC
5	20 A	A/C Clutch, Heated Seat
6	20 A	ECU (PCM)
7	10 A	SRS
8	20 A	Driver's Power Seat
9	20 A	Bose Audio System
10	10 A	Daytime Running Lights* <sup>1</sup>
11	20 A	Driver's Power Seat
12	7.5 A	Daytime Running Lights* <sup>1</sup>
13	7.5 A	Meter, Moonroof

\*1 : On Canadian models

No.	Amps.	Circuits Protected
14	7.5 A	Starter Signal
15	7.5 A	ACG
16	10 A	ACC Socket
17	7.5 A	Power Window MPCS
18	20 A	Front Right Power Window
19	7.5 A	Mirror
20	20 A	ECU (Body)
21	20 A	Rear Right Power Window
22	20 A	Fuel Pump
23	7.5 A	SRS
24	20 A	Rear Left Power Window
25	30 A	Ignition Coils
26	—	Not Used

## Emergency Towing

---

If your car needs to be towed, call a professional towing service or, if you belong to one, an organization that provides roadside assistance. Never tow your car behind another vehicle with just a rope or chain. It is very dangerous.

There are three popular types of professional towing equipment.

**Flat-bed Equipment** — The operator loads your car on the back of a truck. **This is the best way to transport your Acura.**

**Wheel-lift Equipment** — The tow truck uses two pivoting arms that go under the tires (front or rear) and lift them off the ground. The other two tires remain on the ground. **This is an acceptable way to tow your Acura.**

**Sling-type Equipment** — The tow truck uses metal cables with hooks on the ends. These hooks go around parts of the frame or suspension and the cables lift that end of the car off the ground. Your car's suspension and body can be seriously damaged. **This method of towing is unacceptable.**

If your Acura cannot be transported by flat-bed, it should be towed by wheel-lift equipment with the front wheels off the ground. If, due to damage, your car must be towed with the front wheels on the ground, do the following.

- Release the parking brake.
- Shift the transmission to Neutral.

### NOTICE

*Improper towing preparation will damage the transmission. Follow the above procedure exactly. If you cannot shift the transmission or start the engine, your car must be transported with the front wheels off the ground.*

With the front wheels on the ground, it is best to tow the car no farther than 50 miles (80 km), and keep the speed below 35 mph (55 km/h).

If you decide to tow your car with all four wheels on the ground, make sure you use a properly-designed and attached tow bar. Prepare the car for towing as described above, and leave the ignition switch in Accessory (I) so the steering wheel does not lock. Make sure the radio and any items plugged into the accessory power socket are turned off so they do not run down the battery.

### NOTICE

*The steering system can be damaged if the steering wheel is locked. Leave the ignition switch in Accessory (I), and make sure the steering wheel turns freely before you begin towing.*

### NOTICE

*Trying to lift or tow your car by the bumpers will cause serious damage. The bumpers are not designed to support the car's weight.*



The diagrams in this section give you the dimensions and capacities of your Acura, and the locations of the identification numbers. It also includes information you should know about your vehicle's tires and emissions control systems.

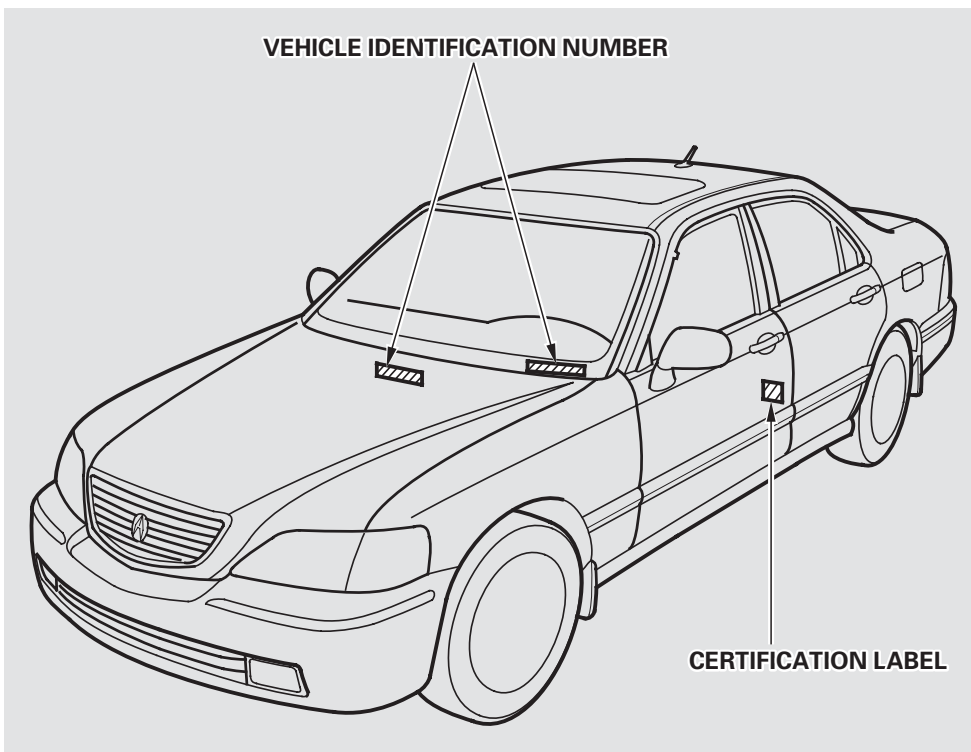
Identification Numbers.....	310	Emissions Controls.....	318
Specifications .....	312	The Clean Air Act.....	318
DOT Tire Quality Grading		Crankcase Emissions Control	
(U.S. Cars).....	314	System.....	318
Treadwear .....	314	Evaporative Emissions Control	
Traction.....	314	System.....	318
Temperature .....	315	Onboard Refueling Vapor	
Oxygenated Fuels.....	316	Recovery .....	318
Driving in Foreign Countries .....	317	Exhaust Emissions Controls ....	319
		PGM-FI System .....	319
		Ignition Timing Control	
		System.....	319
		Exhaust Gas Recirculation	
		(EGR) System.....	319
		Three Way Catalytic	
		Converter.....	319
		Replacement Parts.....	319
		Three Way Catalytic Converter...	320
		State Emissions Testing .....	321



## Identification Numbers

Your car has several identifying numbers located in various places.

The Vehicle Identification Number (VIN) is the 17-digit number your Acura dealer uses to register your car for warranty purposes. It is also necessary for licensing and insuring your car. The easiest place to find the VIN is on a plate fastened to the top of the dashboard. You can see it by looking through the windshield on the driver's side. It is also on the Certification label attached to the driver's doorjamb, and is stamped on the engine compartment bulkhead. The VIN is also provided in bar code on the Certification label.

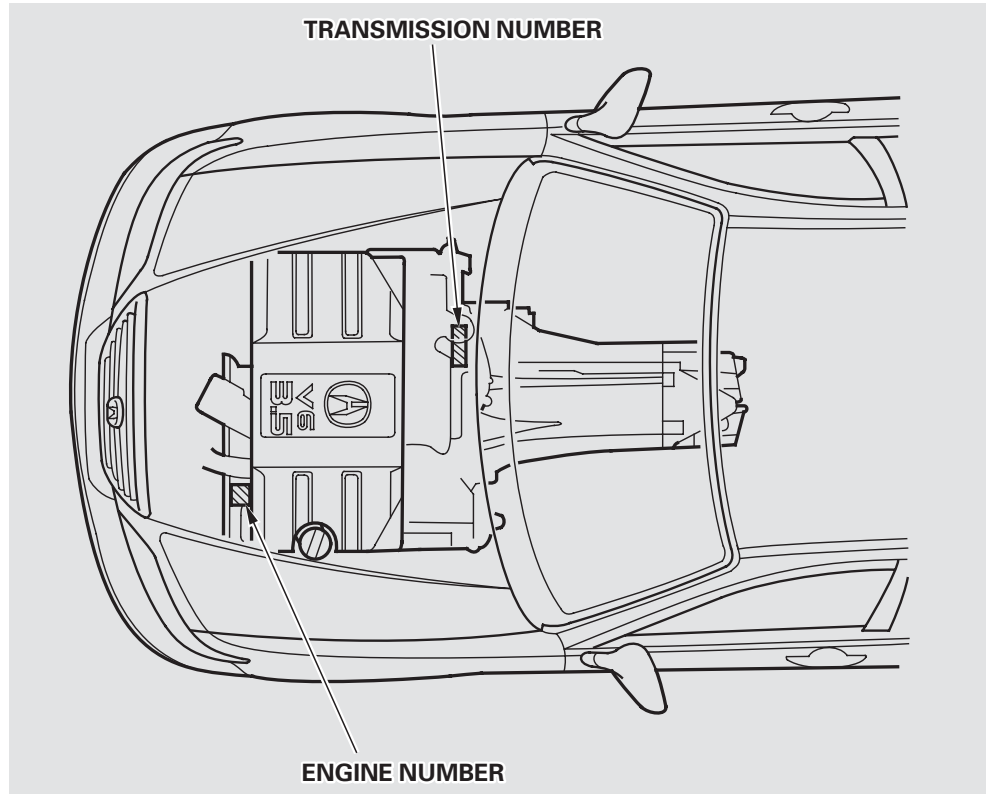


\* The U.S. car model

## Identification Numbers

The Engine Number is stamped into the engine block. It is on the front left, below the valve cover.

The Transmission Number is on a label on top of the transmission.



# Specifications

## Dimensions

Length	196.7 in (4,995 mm)
Width	71.7 in (1,820 mm)
Height	54.5 in (1,385 mm)
Wheelbase	114.6 in (2,910 mm)
Track	Front 61.0 in (1,550 mm) Rear 60.6 in (1,540 mm)

## Weights

Gross vehicle weight rating	See the certification label attached to the driver's doorjamb.
-----------------------------	----------------------------------------------------------------

## Air Conditioning

Refrigerant type	HFC-134a (R-134a)
Charge quantity	24.7–26.5 oz (700–750 g)
Lubricant type	ND-OIL8

## Capacities

Fuel tank		Approx. 18.0 US gal (68 ℓ , 15.0 Imp gal)
Engine coolant	Change* <sup>1</sup>	1.61 US gal (6.1 ℓ , 1.34 Imp gal)
	Total	2.27 US gal (8.6 ℓ , 1.89 Imp gal)
Engine oil	Change* <sup>2</sup>	
	Including filter	4.9 US qt (4.6 ℓ , 4.0 Imp qt)
	Without filter	4.5 US qt (4.3 ℓ , 3.8 Imp qt)
	Total	5.6 US qt (5.3 ℓ , 4.7 Imp qt)
Automatic transmission fluid	Change	3.2 US qt (3.0 ℓ , 2.6 Imp qt)
	Total	9.1 US qt (8.6 ℓ , 7.6 Imp qt)
Differential oil	Change	1.11 US qt (1.05 ℓ , 0.92 Imp qt)
	Total	1.16 US qt (1.10 ℓ , 0.97 Imp qt)
Windshield washer reservoir	U.S. Cars	2.6 US qt (2.5 ℓ , 2.2 Imp qt)
	Canada Cars	6.9 US qt (6.5 ℓ , 5.7 Imp qt)

\* 1 : Including the coolant in the reserve tank and that remaining in the engine.

Reserve tank capacity:

0.172 US gal (0.65 ℓ , 0.143 Imp gal)

\* 2 : Excluding the oil remaining in the engine.

## Lights

Headlights*1	12 V – 55 W (H1) (High beam)
Front turn signal/parking lights	12 V – 27/8 W
Rear turn signal lights	12 V – 21 W
Stop/Taillights	12 V – 21/5 W
Front fog lights	12 V – 55 W (H1)
High-mount brake light	12 V – 21 W
Front side marker lights	12 V – 3 CP
Back-up lights	12 V – 21 W
License plate lights	12 V – 3 CP
Ceiling lights Front	12 V – 5 W
Rear	12 V – 5 W
Trunk light	12 V – 3.4 W
Door courtesy lights	12 V – 3.4 W
Vanity mirror light	12 V – 2 W

\* 1 : Low beam headlight bulbs are a type of high voltage discharge tube (D2R).

## Battery

Capacity	12 V – 55 AH/5 HR 12 V – 65 AH/20 HR
----------	-----------------------------------------

## Fuses

Interior	See page 305 or the fuse label attached to the inside of the fuse box door under the dashboard.
Under-hood	See page 304 or the fuse box cover.

## Engine

Type	Water cooled 4-stroke SOHC V-6 gasoline engine
Bore x Stroke	3.54 x 3.58 in (90 x 91 mm)
Displacement	212 cu-in (3,474 cm <sup>3</sup> )
Compression ratio	9.6 : 1
Spark plugs	See spark plug maintenance section page 246 .

## Alignment

Toe	Front	0.00 in (0.0 mm)
	Rear	in 0.08 in (2.0 mm)
Camber	Front	0°
	Rear	–0° 30'
Caster	Front	2° 50'

## Tires

Size	Front/Rear	P225/55R16 94V
	Spare	T135/80D16 101M
Pressure	Front/Rear	30 psi (210 kPa , 2.1 kgf/cm <sup>2</sup> )
	Spare	60 psi (420 kPa , 4.2 kgf/cm <sup>2</sup> )

## DOT Tire Quality Grading (U.S. Cars)

---

The tires on your car meet all U.S. Federal Safety Requirements. All tires are also graded for treadwear, traction, and temperature performance according to Department of Transportation (DOT) standards. The following explains these gradings.

### **Uniform Tire Quality Grading**

Quality grades can be found where applicable on the tire sidewall between the tread shoulder and the maximum section width. For example:

**Treadwear 200**

**Traction AA**

**Temperature A**

### **DOT Quality Grades**

All passenger car tires must conform to Federal Safety Requirements in addition to these grades.

### **Treadwear**

The treadwear grade is a comparative rating based on the wear rate of the tire when tested under controlled conditions on a specified government test course. For example, a tire graded 150 would wear one and one-half (1 1/2) times as well on the government course as a tire graded 100. The relative performance of tires depends upon the actual conditions of their use, however, and may depart significantly from the norm due to variations in driving habits, service practices and differences in road characteristics and climate.

### **Traction – AA, A, B, C**

The traction grades, from highest to lowest, are AA, A, B, and C. These grades represent the tire's ability to stop on wet pavement as measured under controlled conditions on specified government test surfaces of asphalt and concrete. A tire marked C may have poor traction performance.

**Warning:** The traction grade assigned to this tire is based on straight-ahead braking traction tests, and does not include acceleration, cornering, hydroplaning, or peak traction characteristics.

### **Temperature – A, B, C**

The temperature grades are A (the highest), B, and C, representing the tire's resistance to the generation of heat and its ability to dissipate heat when tested under controlled conditions on a specified indoor laboratory test wheel. Sustained high temperature can cause the material of the tire to degenerate and reduce tire life, and excessive temperature can lead to sudden tire failure. The grade C corresponds to a level of performance which all passenger car tires must meet under the Federal Motor Vehicle Safety Standard No. 109. Grades B and A represent higher levels of performance on the laboratory test wheel than the minimum required by law.

Warning: The temperature grade for this tire is established for a tire that is properly inflated and not overloaded. Excessive speed, underinflation, or excessive loading, either separately or in combination, can cause heat buildup and possible tire failure.

## Oxygenated Fuels

---

Some conventional gasolines are being blended with alcohol or an ether compound. These gasolines are collectively referred to as oxygenated fuels. To meet clean air standards, some areas of the United States and Canada use oxygenated fuels to help reduce emissions.

If you use an oxygenated fuel, be sure it is unleaded and meets the minimum octane rating requirement.

Before using an oxygenated fuel, try to confirm the fuel's contents. Some states/provinces require this information to be posted on the pump.

The following are the U.S. EPA and Canadian CGSB approved percentages of oxygenates:

**ETHANOL** (ethyl or grain alcohol)  
You may use gasoline containing up to 10 percent ethanol by volume. Gasoline containing ethanol may be marketed under the name "Gasohol."

**MTBE** (Methyl Tertiary Butyl Ether)  
You may use gasoline containing up to 15 percent MTBE by volume.

**METHANOL** (methyl or wood alcohol)  
Your vehicle was not designed to use fuel that contains methanol. Methanol can corrode metal parts in the fuel system, and also damage plastic and rubber components. This damage would not be covered by your warranties.

If you notice any undesirable operating symptoms, try another service station or switch to another brand of gasoline.

Fuel system damage or performance problems resulting from the use of an oxygenated fuel containing more than the percentages of oxygenates given above are not covered under warranty.

If you are planning to take your Acura outside the U.S. or Canada, contact the tourist bureaus in the areas you will be traveling in to find out about the availability of unleaded gasoline with the proper octane rating.

If unleaded gasoline is not available, be aware that using leaded gasoline in your Acura will affect performance and fuel mileage, and damage its emissions controls. It will no longer comply with U.S. and Canadian emissions regulations, and will be illegal to operate in North America. To bring your car back into compliance will require the replacement of several components, such as the oxygen sensors and the three way catalytic converter. These replacements are not covered under warranty.



## Emissions Controls

---

The burning of gasoline in your car's engine produces several byproducts. Some of these are carbon monoxide (CO), oxides of nitrogen (NO<sub>x</sub>) and hydrocarbons (HC). Gasoline evaporating from the tank also produces hydrocarbons. Controlling the production of NO<sub>x</sub>, CO, and HC is important to the environment. Under certain conditions of sunlight and climate, NO<sub>x</sub> and HC react to form photochemical "smog." Carbon monoxide does not contribute to smog creation, but it is a poisonous gas.

### **The Clean Air Act**

The United States Clean Air Act\* sets standards for automobile emissions. It also requires that automobile manufacturers explain to owners how their emissions controls work and what to do to maintain them. This section summarizes how the emissions controls work. Scheduled maintenance is on page [218](#).

\* In Canada, Acura vehicles comply with the Canadian Motor Vehicle Safety Standards (CMVSS) for Emissions valid at the time they are manufactured.

### **Crankcase Emissions Control System**

Your car has a Positive Crankcase Ventilation System. This keeps gasses that build up in the engine's crankcase from going into the atmosphere. The Positive Crankcase Ventilation valve routes them from

the crankcase back to the intake manifold. They are then drawn into the engine and burned.

### **Evaporative Emissions Control System**

As gasoline evaporates in the fuel tank, an evaporative emissions control canister filled with charcoal adsorbs the vapor. It is stored in this canister while the engine is off. After the engine is started and warmed up, the vapor is drawn into the engine and burned during driving.

### **Onboard Refueling Vapor Recovery**

The Onboard Refueling Vapor Recovery (ORVR) system captures the fuel vapors during refueling. The vapors are adsorbed in a canister filled with activated carbon. While driving, the fuel vapors are drawn into the engine and burned off.

## **Exhaust Emissions Controls**

The exhaust emissions controls include four systems: PGM-FI, Ignition Timing Control, Exhaust Gas Recirculation and Three Way Catalytic Converter. These four systems work together to control the engine's combustion and minimize the amount of HC, CO, and NOx that comes out the tailpipe. The exhaust emissions control systems are separate from the crankcase and evaporative emissions control systems.

### ***PGM-FI System***

The PGM-FI System uses sequential multiport fuel injection. It has three subsystems: Air Intake, Engine Control, and Fuel Control. The Powertrain Control Module (PCM) uses various sensors to determine how much air is going into the engine. It then controls how much fuel to inject under all operating conditions.

### ***Ignition Timing Control System***

This system constantly adjusts the ignition timing, reducing the amount of HC, CO and NOx produced.

### ***Exhaust Gas Recirculation (EGR) System***

The Exhaust Gas Recirculation (EGR) system takes some of the exhaust gas and routes it back into the intake manifold. Adding exhaust gas to the air/fuel mixture reduces the amount of NOx produced when the fuel is burned.

### ***Three Way Catalytic Converter***

The three way catalytic converter is in the exhaust system. Through chemical reactions, it converts HC, CO, and NOx in the engine's exhaust to carbon dioxide (CO<sub>2</sub>), dinitrogen (N<sub>2</sub>), and water vapor.

## **Replacement Parts**

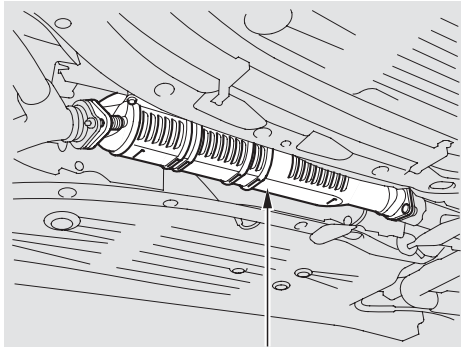
The emissions control systems are designed and certified to work together in reducing emissions to levels that comply with the Clean Air Act. To make sure the emissions remain low, you should use only new Genuine Acura replacement parts or their equivalent for repairs. Using lower quality parts may increase the emissions from your car.

## Three Way Catalytic Converter

---

The three way catalytic converter contains precious metals that serve as catalysts, promoting chemical reactions to convert the exhaust gasses without affecting the metals. The catalytic converter is referred to as a three-way catalyst, since it acts on HC, CO, and NO<sub>x</sub>. A replacement unit must be an original Acura part or its equivalent.

The three way catalytic converter must operate at a high temperature for the chemical reactions to take place. It can set on fire any combustible materials that come near it. Park your car away from high grass, dry leaves, or other flammables.



**THREE WAY CATALYTIC CONVERTER**

A defective three way catalytic converter contributes to air pollution, and can impair your engine's performance. Follow these guidelines to protect your car's three way catalytic converter.

- Always use unleaded gasoline. Even a small amount of leaded gasoline can contaminate the catalyst metals, making the three way catalytic converter ineffective.

- Keep the engine tuned-up.
- Have your car diagnosed and repaired if it is misfiring, backfiring, stalling, or otherwise not running properly.

### Testing of Readiness Codes

If you take your vehicle for a state emissions test shortly after the battery has been disconnected or gone dead, it may not pass the test. This is because of certain “readiness codes” that must be set in the on-board diagnostics for the emissions systems. These codes are erased when the battery is disconnected, and set again only after several days of driving under a variety of conditions.

If the testing facility determines that the readiness codes are not set, you will be requested to return at a later date to complete the test. If you must get the vehicle re-tested within the next two or three days, you can condition the vehicle for re-testing by doing the following.

- Make sure the gas tank is nearly, but not completely, full (around 3/4).
- Make sure the vehicle has been parked with the engine off for 8 hours or more.
- Make sure the ambient temperature is between 20° and 95°F.

- Without touching the accelerator pedal, start the engine and let it idle for 20 seconds.
- Keep the vehicle in Park (automatic transmission). Increase the engine speed to 2,000 rpm and hold it there until the temperature gauge rises to at least 1/4 of the scale (approximately 3 minutes).

*CONTINUED*

## State Emissions Testing

---

- Select a nearby lightly traveled major highway where you can maintain a speed of 50 to 60 mph (80 to 97 km/h) for at least 20 minutes. Drive on the highway in D4 (A/T). Do not use the cruise control. When traffic allows, drive for 90 seconds without moving the accelerator pedal. (Vehicle speed may vary slightly; this is okay.) If you cannot do this for a continuous 90 seconds because of traffic conditions, drive for at least 30 seconds, then repeat it two more times (for a total of 90 seconds).

- Then drive in city/suburban traffic for at least 10 minutes. When traffic conditions allow, let the vehicle coast for several seconds without using the accelerator pedal or the brake pedal.

If the testing facility determines the readiness codes are still not set, see your Acura dealer.

# Warranty and Customer Relations

---

Customer Relations	
Information.....	324
Canada Zone Office Map.....	325
Warranty Coverages .....	326
Reporting Safety Defects	
(U.S. Vehicles) .....	327
Authorized Manuals.....	329

## Customer Relations Information

---

Acura dealership personnel are trained professionals. They should be able to answer all your questions. If you encounter a problem that your dealership does not solve to your satisfaction, please discuss it with the dealership's management. The Service Manager or General Manager can help. Almost all problems are solved in this way.

If you are dissatisfied with the decision made by the dealership's management, contact the Acura Customer Relations Office.

U.S. Owners:

Acura Automobile Division  
Client Services Office  
American Honda Motor Co., Inc.  
1919 Torrance Blvd.  
Torrance, CA 90501-2746

Tel: (800) 382-2238

In Puerto Rico and the U.S. Virgin Islands:

Vortex Motor Corp.  
Bella International  
P.O. Box 190816  
San Juan, PR 00919-0816  
(787) 250-4327

Canadian Owners:

Refer to the Canadian Zone Office Map on the next page.

When you call or write, please give us this information:

- Vehicle Identification Number (see page [310](#))
- Name and address of the dealer who services your car
- Date of purchase
- Mileage on your car
- Your name, address, and telephone number
- A detailed description of the problem
- Name of the dealer who sold the car to you

# Canada Zone Office Map

---



## **CUSTOMER RELATIONS RELATIONS AVEC LA CLIENTÈLE**

Honda Canada Inc.  
715 Milner Avenue  
Toronto, ON  
M1B 2K8

Tel: 1-888-9-ACURA-9

Fax: Toll-free 1-877-939-0909  
Toronto (416) 287-4776



## Warranty Coverages

---

### **U.S. Owners**

Your new Acura is covered by these warranties:

***New Vehicle Limited Warranty*** — covers your new vehicle, except for the battery, emissions control systems and accessories, against defects in materials and workmanship.

***Emissions Control Systems Defects Warranty and Emissions Performance Warranty*** — these two warranties cover your vehicle's emissions control systems. Time, mileage, and coverage are conditional. Please read the warranty manual for exact information.

***Original Equipment Battery Limited Warranty*** — this warranty gives up to 100 percent credit toward a replacement battery.

***Seat Belt Limited Warranty*** — a seat belt that fails to function properly is covered for the useful life of the vehicle.

***Rust Perforation Limited Warranty*** — all exterior body panels are covered for rust-through from the inside for the specified time period with no mileage limit.

***Accessory Limited Warranty*** — genuine Acura Accessories are covered under this warranty. Time and mileage limits depend on the type of accessory and other factors. Please read your warranty manual for details.

***Replacement Parts Limited Warranty*** — covers all genuine Acura replacement parts against defects in materials and workmanship.

***Replacement Battery Limited Warranty*** — provides prorated coverage for a replacement battery purchased from an Acura dealer.

***Replacement Muffler Lifetime Limited Warranty*** — provides coverage for as long as the purchaser of the muffler owns the vehicle.

Restrictions and exclusions apply to all these warranties. Please read the 2002 Acura Warranty Information booklet that came with your car for precise information on warranty coverages. Your Acura's original tires are covered by their manufacturer. Tire warranty information is in a separate booklet.

### **Canadian Owners**

Please refer to the 2002 Warranty Manual that came with your car.

## Reporting Safety Defects (U.S. Vehicles)

---

If you believe that your vehicle has a defect which could cause a crash or could cause injury or death, you should immediately inform the National Highway Traffic Safety Administration (NHTSA) in addition to notifying Acura Automobile Division, American Honda Motor Co., Inc.

If NHTSA receives similar complaints, it may open an investigation, and if it finds that a safety defect exists in a group of vehicles, it may order a recall and remedy campaign. However, NHTSA cannot become involved in individual problems between you, your dealer, or Acura Automobile Division, American Honda Motor Co., Inc.

To contact NHTSA, you may either call the Auto Safety Hotline toll-free at 1-800-424-9393 (or 366-0123 in Washington D.C. area) or write to: NHTSA, U.S. Department of Transportation, Washington, D.C. 20590. You can also obtain other information about motor vehicle safety from the Hotline.



## Purchasing Factory Authorized Manuals (U.S. only)

The following publications covering the operation and servicing of your vehicle can be obtained from Helm Incorporated, either by filling out the attached form or, for credit card holders, calling the toll-free phone number on the form. For manuals prior to the year shown below, contact Helm Incorporated, P.O. Box 07280, Detroit, Michigan 48207, or call 1-800-782-4356.

Publication Form Number	Form Description	Price Each*
61SZ305	1996-2001 Acura 3.5 RL Service Manual	\$75.00
61SZ306	2002 Acura 3.5 RL Service Manual Supplement	\$36.00
61SZ306EL	1996-2002 Acura 3.5 RL Electrical Troubleshooting Manual	\$45.00
61SZ330	1996-2002 Acura 3.5 RL Body Repair Manual	\$42.00
31SZ3660	2002 Acura 3.5 RL Owner's Manual	\$40.00
31SZ3760	2002 Acura 3.5 RL Navigation Manual	\$27.00
ACU-R	Order Form for Previous Years- Indicate Year and Model Desired	FREE
* Prices are subject to change without notice and without incurring obligation.		

*Valid only for sales within the U.S. Canadian owners should contact their authorized Acura dealer.*

<b>ORDER TOLL FREE: 1-800-782-4356</b> (NOTE: For Credit Card Holder Orders Only) Monday-Friday 8:00 A.M. – 6:00 P.M. EST
<b>MINIMUM CREDIT CARD PURCHASE \$10.00</b>

**OR**

By completing this form you can order the materials desired. You can pay by check or money order, or charge to your credit card. Mail to Helm Incorporated at the address shown on the back of the order form.

2002 ACU	PUBLICATION NUMBER	VEHICLE MODEL		Qty	Price Each*	Total Price
		Name	Year			
* Prices are subject to change without notice and without incurring obligation.					TOTAL MATERIAL	
					Mich. Purchases Add 6% Sales Tax	
Orders are mailed within 10 days. Please allow adequate time for delivery.					HANDLING CHARGE	\$6.00
					GRAND TOTAL	

# Authorized Manuals

S H I P  T O	NOTE: Dealers and Companies please provide dealer or company name, and also the name of the person to whose attention the shipment should be sent. For purchases outside U.S.A. please write to the address shown below for a quotation.	
	Customer Name _____	Attention _____
	Street Address – No P.O. Box Number _____	Apartment Number _____
	City _____	State & Zip Code _____
	Daytime Telephone Number (     ) _____	

P A Y M E N T	<input type="checkbox"/> Check or money order enclosed payable to Helm Inc – U.S. funds only. Do not send cash					
	<input type="checkbox"/> Master Card <input type="checkbox"/> VISA <input type="checkbox"/> Check here if your billing address is different from the shipping address shown above.					
	Account Number _____     Expiration: Mo. Yr. _____					
	<table border="1" style="width: 100%; border-collapse: collapse;"><tr><td style="width: 25%; height: 20px;"> </td><td style="width: 25%; height: 20px;"> </td><td style="width: 25%; height: 20px;"> </td><td style="width: 25%; height: 20px;"> </td><td style="width: 25%; height: 20px;"> </td></tr></table>					
_____     _____ CUSTOMER SIGNATURE     DATE						

These Publications cannot be returned for credit without receiving advance authorization within 14 days of delivery. On returns, a restocking fee may be applied against the original order.

**HELM** P.O. BOX 07280-DETROIT, MICHIGAN 48207-1-800-782-4356

## Service Manual:

This manual covers maintenance and recommended procedures for repair to engine and chassis components. It is written for the Journeyman mechanic, but is simple enough for most mechanically-inclined owners to understand.

## Electrical Troubleshooting Manual:

This manual complements the Service Manual by providing in-depth troubleshooting information for each electrical circuit in your vehicle.

## Body Repair Manual:

This manual describes the procedures involved in the replacement of damaged body parts.

<b>A</b>	
Accessories and Modifications ....	184
Accessories.....	184
Additional Safety Precautions..	185
Modifications .....	185
ACCESSORY (Ignition Key Position) .....	78
Accessory Power Socket .....	108
Additives, Engine Oil.....	228
Airbag (SRS) .....	9, 43, 45
Air Cleaner Element.....	241
Air Conditioning Filter .....	252
Air Conditioning System.....	114
Maintenance.....	251
Usage .....	116, 121
Air Outlets (Vents) .....	114
Air Pressure, Tires .....	253
Alarm, Anti-theft .....	156
Alcohol in Gasoline.....	316
Aluminum Wheels, Cleaning.....	275
Antifreeze .....	231
Anti-lock Brakes (ABS) Indicator.....	56, 199
Operation .....	199
Anti-theft, Audio System.....	156

Anti-theft Steering Column Lock.....	77
Anti-theft System.....	157
Appearance Care .....	273
Armrest .....	89
Ashtrays.....	110
Audio Controls, Remote.....	155
Audio System .....	128
Automatic Climate Control System.....	114
Automatic Lighting.....	64
Automatic Seat Belt Tensioners.....	41
Automatic Speed Control.....	158
Automatic Transmission.....	192
Capacity, Fluid .....	312
Checking Fluid Level.....	238
Shifting.....	192
Shift Lever Position Indicator ..	192
Shift Lever Positions .....	192
Shift Lock Release.....	195

<b>B</b>	
Battery	
Charging System	
Indicator.....	54, 296
Jump Starting .....	290
Maintenance.....	246
Specifications .....	313
Before Driving .....	177
Belts, Seat .....	8, 40
Beverage Holder.....	104
Body Repair .....	280
Brakes	
Anti-lock System (ABS) .....	198
Break-in, New Linings .....	178
Bulb Replacement .....	266
Fluid .....	239
Parking.....	102
System Indicator.....	54, 299
Wear Indicators .....	197
Braking System.....	197
Break-in, New Car .....	198
Brightness Control, Instruments...	66
Brights, Headlights .....	63

*CONTINUED*

# Index

---

Bulb Replacement	
Back-up Lights .....	266
Brake Lights.....	266
Ceiling Lights.....	269
Courtesy Lights .....	269
Fog Lights .....	263
Front Side Marker Lights.....	265
Headlights .....	262
High-mount Brake Light .....	267
License Plate Lights.....	268
Specifications .....	313
Trunk Light.....	270
Turn Signal Lights.....	265
Bulbs, Halogen.....	262

## C

Cancel Button.....	75
Capacities Chart.....	312
Carbon Monoxide Hazard .....	49
Carrying, Cargo .....	186
Cassette Player	
Care .....	148
Operation.....	133, 145
CAUTION, Explanation of .....	ii
CD Changer .....	136, 149, 151

Ceiling Lights.....	111
Certification Label.....	310
Chains .....	259
Changing Oil	
How to.....	229
When to.....	218
Changing a Flat Tire .....	283
Changing Engine Coolant.....	233
Charging System Indicator ....	54, 297
Checklist, Before Driving.....	190
Child Safety .....	20
Child Seats.....	24
Tether Anchorage Point.....	39
Childproof Door Locks .....	82
Cigarette Lighter .....	109
Cleaner, Air .....	241
Cleaning	
Aluminum Wheels.....	275
Carpeting .....	276
Exterior.....	274
Fabric .....	276
Interior.....	276
Leather.....	276
Seat Belts.....	276
Vinyl .....	276
Windows .....	277

Wood Trim .....	277
Climate Control System.....	114
Clock, Setting the .....	102
Code, Audio System .....	136
CO in the Exhaust .....	318
Coin Box .....	106
Cold Weather, Starting in.....	191
Compact Spare .....	282
Console Compartment .....	106
Consumer Information *.....	324
Controls, Instruments and.....	51
Coolant	
Adding.....	231
Checking.....	182
Proper Solution .....	231
Replacing .....	233
Temperature Gauge.....	60
Corrosion Protection.....	279
Courtesy Lights .....	117
Crankcase Emissions Control	
System.....	318
Cruise Control Operation .....	158
Customer Relations Office .....	324

## D

DANGER, Explanation of .....	ii
Dashboard .....	2, 52
Daytime Running Lights.....	65
Defects, Reporting Safety.....	327
Defogger, Rear Window .....	71
Defrosting the Windows.....	120, 124
Differential Oil .....	239
Dimensions.....	312
Dimming the Headlights .....	63
Dipstick	
Automatic Transmission.....	238
Engine Oil.....	181
Directional Signals.....	66
Disc Brake Wear Indicators.....	197
Disposal of Used Oil.....	230
Doors	
Locking and Unlocking.....	78
Lockout Prevention .....	79
Monitor Light.....	57
Power Door Locks.....	78
DOT Tire Quality Grading .....	314
Drive Belts.....	252
Driver and Passenger Safety.....	5

Driving .....	189
Economy .....	183
In Bad Weather.....	204
In Foreign Countries.....	317
Driving Position Memory	
System.....	97

## E

Economy, Fuel .....	183
Emergencies on the Road.....	281
Battery, Jump Starting .....	290
Brake System Indicator .....	299
Changing a Flat Tire .....	283
Charging System Indicator .....	296
Checking the Fuses.....	302
Low Oil Pressure Indicator .....	295
Malfunction Indicator Lamp ....	297
Manually Closing Moonroof ...	300
Overheated Engine .....	293
Emergency Brake .....	102
Emergency Flashers .....	70
Emergency Towing .....	306
Emissions Controls.....	318
Emissions Testing, State .....	321

Engine	
Belts.....	252
Coolant Temperature Gauge ....	60
Malfunction Indicator	
Lamp .....	55, 297
Oil Pressure Indicator.....	54, 295
Oil, What Kind to Use .....	227
Overheating.....	293
Specifications .....	313
Speed Limiter .....	194
Starting.....	191
Engine Speed Limiter.....	194
Ethanol in Gasoline .....	316
Evaporative Emissions Controls..	318
Exhaust Fumes .....	49
Exhaust Gas Recirculation	
System.....	319
Expectant Mothers, Use of Seat	
Belts by .....	18
Exterior, Cleaning the.....	274

## F

Fabric, Cleaning.....	276
-----------------------	-----

CONTINUED



# Index

---

Fan, Interior ..... 118, 123  
Features, Comfort and  
    Convenience ..... 113  
Filling the Fuel Tank ..... 179  
Filters  
    Air Cleaner ..... 241  
    Air Conditioning ..... 252  
    Oil ..... 229  
Flashers, Hazard Warning ..... 70  
Flat Tire, Changing a ..... 283  
Fluids  
    Automatic Transmission ..... 238  
    Brake ..... 239  
    Differential ..... 239  
    Power Steering ..... 240  
    Windshield Washer ..... 237  
FM Stereo Radio  
    Reception ..... 129, 139  
Fog Lights ..... 67  
Foreign Countries, Driving in ..... 317  
Four-way Flashers ..... 70  
Front Airbags ..... 9, 43  
Fuel ..... 178  
    Fill Door and Cap ..... 179  
    Gauge ..... 60  
    Octane Requirement ..... 178

Oxygenated ..... 316  
Reserve Indicator ..... 57  
    Tank, Filling the ..... 179  
Fuel Mileage, Improving ..... 183  
Fuses, Checking the ..... 302

## G

Gasohol ..... 316  
Gasoline ..... 178  
    Fuel Reserve Indicator ..... 57  
    Gauge ..... 60  
    Octane Requirement ..... 178  
    Tank, Filling the ..... 179  
Gas Station Procedures ..... 179  
Gauges ..... 58  
    Engine Coolant Temperature ... 60  
    Fuel ..... 60  
    Speedometer ..... 58  
    Tachometer ..... 58  
GAWR (Gross Axle Weight  
    Rating) ..... 207  
Gearshift Lever Positions ..... 192  
Glass Cleaning ..... 278  
Glove Box ..... 88

GVWR (Gross Vehicle Weight  
    Rating) ..... 207

## H

Halogen Headlight Bulbs ..... 262  
Hazard Warning Flashers ..... 70  
Headlights  
    Automatic Lighting ..... 64  
    Daytime Running Lights ..... 65  
    High Beam Indicator ..... 57  
    Lights On Indicator ..... 55  
    Reminder Chime ..... 63  
    Replacing Halogen Bulbs ..... 262  
    Turning on ..... 63  
Head Restraints ..... 88  
Heating and Cooling ..... 114  
High Altitude, Starting at ..... 191  
High-Low Beam Switch ..... 63  
High-mount Brake Light ..... 267  
HomeLink Universal  
    Transmitter ..... 162  
Hood Latch ..... 241  
Hood, Opening the ..... 180  
Horn ..... 62  
Hydroplaning ..... 205

## I

Identification Number, Vehicle....	310
Ignition	
Keys.....	74
Switch.....	77
Timing Control System.....	319
Immobilizer System.....	75
Important Safety Precautions .....	6
Indicators, Instrument	
Panel.....	53
Infant Restraint.....	28
Infant Seats.....	28
Tether Anchorage Points .....	39
Inflation, Proper Tire .....	253
Inside Mirror .....	91
Inspection, Tire.....	255
Instrument Panel .....	53
Instrument Panel Brightness .....	66
Interior Cleaning.....	277
Introduction .....	i

## J

Jacking up the Car .....	284
Jack, Tire .....	284

Jump Starting .....	290
---------------------	-----

## K

Keys.....	74
-----------	----

## L

Label, Certification .....	310
Lane Change, Signaling .....	66
Lap/Shoulder Belt .....	40
Learning Key.....	75
Leather, Cleaning .....	276
Lights On Indicator .....	55
Lighter, Cigarette .....	109
Lights	
Bulb Replacement .....	262
Ceiling .....	111
Courtesy.....	112
Indicator .....	53
Parking.....	63
Turn Signal .....	66
Load Limit .....	187
LOCK (Ignition Key Position) .....	77
Locks	
Anti-theft Steering Column .....	77

Childproof Door.....	82
Fuel Fill Door .....	179
Glove Box .....	85
Power Door .....	78
Trunk .....	83
Trunk Pass-through Cover.....	90
Low Coolant Level.....	182
Low Fuel Indicator .....	57
Low Oil Pressure Indicator ....	54, 295
Lubricant Specifications	
Chart .....	312
Luggage .....	186

## M

Maintenance.....	213
Owner Maintenance Checks....	225
Record.....	223-224
Required Indicator.....	61
Safety.....	214
Schedule .....	218-222
Malfunction Indicator Lamp ..	55, 297
Memory, Driving Position .....	93
Meters, Gauges.....	58

CONTINUED

# Index

---

Methanol in Gasoline .....	316
Mirrors, Adjusting .....	91
Moonroof .....	100
Closing Manually .....	300
Operation .....	100

## N

Neutral Gear Position.....	193
New Vehicle Break-in .....	178
NOTICE, Explanation of.....	i
Numbers, Identification.....	310

## O

Octane Requirement, Gasoline ....	178
Odometer.....	59
Odometer, Trip .....	59
Oil	
Change, How to .....	229
Change, When to .....	218
Checking Engine .....	181
Pressure Indicator .....	54, 295
Selecting Proper Viscosity	
Chart .....	228
ON (Ignition Key Position) .....	80

Onboard Refueling Vapor	
Recovery .....	310
OnStar .....	167
Opening the Trunk.....	83
Operation in Foreign Countries...	317
Outside Mirrors .....	91
Outside Temperature Indicator....	59
Overheating, Engine .....	293
Owner Maintenance Checks.....	225
Oxygenated Fuels.....	316

## P

Paint Touch-up.....	275
Panel Brightness Control .....	66
Park Gear Position.....	193
Parking.....	196
Parking Brake .....	106
Parking Brake and Brake	
System Indicator.....	54, 299
Parking Lights.....	63
Parking Over Things that Burn...	320
PGM-FI System.....	319
Polishing and Waxing .....	275
Pre-Drive Safety Checklist .....	11
Pregnancy, Using Seat Belts .....	18

Protecting Adults.....	12
Additional Safety Precautions....	19
Advice for Pregnant Women.....	18
Protecting Children .....	20
Protecting Infants.....	28
Protecting Larger Children .....	35
Protecting Small Children .....	32
Using Child Seats with	
Tethers.....	39

## R

Radiator Overheating.....	293
Radio/Cassette Sound System ....	128
Readiness Codes.....	298
Rear Lights, Bulb Replacement...	264
Rear Seat Armrest .....	90
Rear Ventilation .....	126
Rear View Mirror.....	91
Rear Window Defogger .....	71
Reclining the Seat Backs .....	87
Reminder Lights .....	53
Remote Transmitter.....	79
Replacement Information	
Air Cleaner Element.....	241
Air Conditioning Filter.....	252

Engine Coolant.....	233	Seat Belts.....	8, 40	Shift Lock Release.....	195
Engine Oil and Filter.....	229	Additional Information.....	40	Side Airbags.....	45
Fuses.....	302	Advice for Pregnant Women.....	18	How The Side Airbag Indicator	
Light Bulbs.....	262	Automatic Seat Belt Tensioner..	41	Light Works.....	47
Schedule.....	216	Child Seat Anchor Plate.....	39	How Your Side Airbags Work...	45
Spark Plugs.....	243	Cleaning.....	277	Side Marker Lights, Bulb	
Tires.....	257	Lap/Shoulder Belt.....	40	Replacement in.....	265
Wiper Blades.....	249	Maintenance.....	42	Signaling Turns.....	66
Replacing Seat Belts After a		Reminder Light and		Ski Sleeve.....	96
Crash.....	42	Beeper.....	40, 54	Snow Tires.....	259
Reserve Tank, Engine Coolant ...	182	Replacement.....	42	Solvent-type Cleaners.....	274
Reverse Gear Position.....	193	System Components.....	40	Sound System.....	128
Rotation, Tire.....	256	Use During Pregnancy.....	18	Spare Tire	
		Wearing a Lap/Shoulder Belt...	15	Inflating.....	282
<b>S</b>		Seat Heaters.....	95	Specifications.....	313
Safety Belts.....	8	Seat Position Memory.....	93	Spark Plugs, Replacing.....	243
Safety Defects, Reporting*.....	327	Seats, Adjusting the.....	86	Specifications Charts.....	312
Safety Features.....	7	Security Alarm System.....	157	Speed Control.....	158
Airbags.....	9	Serial Number.....	310	Speedometer.....	58
Door Locks.....	10	Service Intervals.....	218	Spotlights.....	111
Head Restraints.....	10	Service Manual*.....	329		
Seat Belts.....	8	Service Station Procedures.....	179		
Seats & Seat-Backs.....	10	Setting the Clock.....	102		
Safety Labels, Location of.....	50	Shifting the Automatic			
Safety Messages.....	ii	Transmission.....	192		
		Shift Lever Position Indicator.....	192		

CONTINUED

# Index

---

SRS, Additional Information..... 43  
  Additional Safety Precautions.... 48  
  Automatic Seat Belt  
    Tensioners..... 41  
  How the SRS Indicator Works... 46  
  How Your Airbags Work ..... 43, 45  
  SRS Components ..... 43  
  SRS Service..... 48  
SRS Indicator..... 46, 55  
START (Ignition Key Position) ..... 77  
Starting the Engine..... 191  
  In Cold Weather at High  
    Altitude ..... 191  
    With a Dead Battery ..... 290  
  State Emissions Testing ..... 322  
Steam Coming from Engine ..... 293  
Steering Wheel  
  Adjustments ..... 71  
  Anti-theft Column Lock ..... 77  
  Position Memory ..... 93  
Stereo Sound System ..... 128  
Storing Your Car..... 272  
Sun Visor..... 107  
Sunglasses Holder ..... 107

Supplemental Restraint  
  System..... 9, 43, 45  
  Service Precautions ..... 48  
  Servicing ..... 48  
  SRS Indicator..... 46, 55  
  System Components..... 43  
  Tensioners, Seat Belts ..... 41  
Synthetic Oil..... 228

## T

Tachometer ..... 58  
Taillights, Changing Bulbs in..... 266  
Taking Care of the Unexpected .. 281  
Tape Player ..... 133, 148  
Technical Descriptions  
  DOT Tire Quality Grading ..... 314  
  Emissions Control Systems..... 318  
  Oxygenated Fuels..... 316  
  Three Way Catalytic  
    Converter..... 320  
Temperature Gauge ..... 60  
Tensioners, Seat Belts ..... 41  
Tether Anchorage Points ..... 39  
Theft Deterrent System..... 157  
Theft Protection..... 156

Three Way Catalytic Converter... 320  
Time, Setting the ..... 102  
Timing Belt..... 253  
Tire Chains ..... 259  
Tire, How to Change a Flat ..... 283  
Tires ..... 253  
  Air Pressure ..... 254  
  Balancing ..... 256  
  Checking Wear ..... 255  
  Compact Spare..... 282  
  DOT Tire Quality Grading ..... 314  
  Inflation..... 253  
  Inspection ..... 255  
  Maintenance..... 256  
  Replacing ..... 257  
  Rotating..... 256  
  Snow ..... 259  
  Specifications ..... 313  
Tools, Tire Changing ..... 283  
Torn Seat Belts ..... 42  
Towing  
  A Trailer..... 206  
  By Emergency Wrecker ..... 306  
Transmission  
  Checking Fluid Level,  
    Automatic ..... 238

Fluid Selection.....	238
Identification Number.....	311
Shifting the Automatic.....	192
Treadwear .....	314
Trip Meter .....	59
Trunk.....	83
Emergency Trunk Opener .....	84
Opening the.....	83
Open Monitor Light .....	57
Turn Signals .....	66

## U

Underside, Cleaning.....	279
Unexpected, Taking Care of the .....	281
Uniform Tire Quality Grading .....	314
Unleaded Gasoline.....	178
Upholstery Cleaning.....	277
Used Oil, How to Dispose of .....	230

## V

Vanity Mirror .....	107
Vehicle Capacity Load .....	187
Vehicle Dimensions.....	312

Vehicle Identification Number.....	310
Vehicle Stability Assist (VSA) System.....	201
VSA System Indicator .....	56, 202
VSA Activation Indicator ....	56, 201
VSA Off Switch.....	202
Vehicle Storage.....	271
Ventilation .....	116
VIN .....	310
Vinyl Cleaning .....	277
Viscosity, Oil.....	228

## W

WARNING, Explanation of .....	ii
Warning Labels, Location of .....	50
Warranty Coverages* .....	326
Washer, Windshield Checking the Fluid Level .....	237
Operation .....	70
Washing .....	274
Waxing and Polishing .....	275
Wheels Adjusting the Steering .....	71
Alignment and Balance.....	256
Cleaning Aluminum Alloys.....	275

Compact Spare .....	282
Wrench .....	284
Windows Cleaning .....	277
Operating the Power .....	98
Rear, Defogger .....	71
Windshield Cleaning .....	68
Defroster .....	120, 125
Washers .....	70
Wipers, Windshield Changing Blades.....	249
Operation .....	68
Wood Trim .....	277
Worn Tires .....	255
Wrecker, Emergency Towing.....	306

\* U.S. and Canada only

## Service Information Summary

---

### **Gasoline:**

Premium unleaded gasoline, pump octane number of 91 or higher.

### **Fuel Tank Capacity:**

18.0 US gal (68 ℓ , 15.0 Imp gal)

### **Recommended Engine Oil:**

API Service SJ "Energy Conserving" oil, SAE 5W-30 viscosity (see page [227](#)).

Oil change capacity (including filter):

4.9 US qt (4.6 ℓ , 4.0 Imp qt)

### **Automatic Transmission Fluid:**

Honda ATF-Z1 (Automatic Transmission Fluid) preferred, or a DEXRON® III ATF as a temporary replacement (see page [238](#)).

### **Power Steering Fluid:**

Honda Power Steering Fluid preferred, or another brand of power steering fluid as a temporary replacement. Do not use ATF (see page [240](#)).

### **Brake Fluid:**

Honda Heavy Duty Brake Fluid DOT 3 preferred, or a DOT 3 or DOT 4 brake fluid as a temporary replacement (see page [240](#)).

### **Tire Pressure (measured cold):**

Front/Rear:

30 psi (210 kPa , 2.1 kgf/cm<sup>2</sup>)

### **Spare Tire Pressure:**

60 psi (420 kPa , 4.2 kgf/cm<sup>2</sup>)