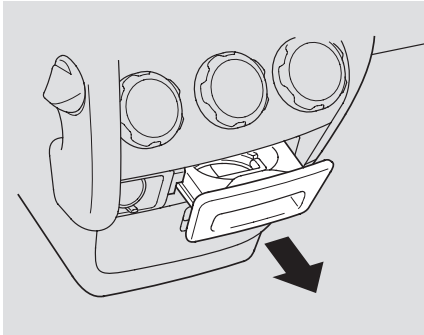


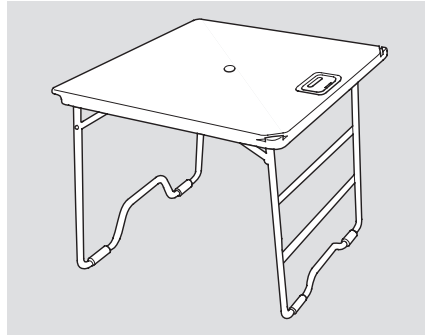
Beverage Holders

Be careful when you are using the beverage holders. Spilled liquid that is very hot can scald you or your passengers. Spilled liquids can also damage the upholstery, carpeting, and electrical components in the interior.

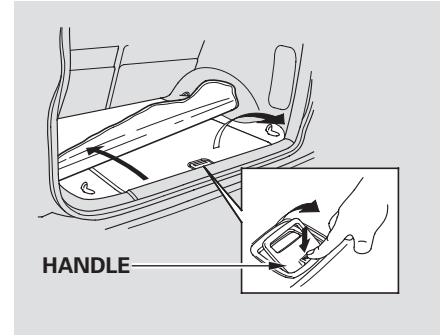


Only on models with an automatic transmission
To use the front beverage holder, pull on the handle.

Built-in Table



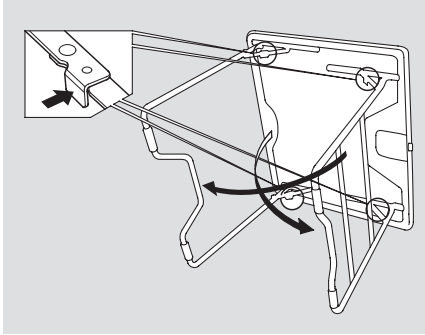
The cargo area floor can be taken out and used as a table.



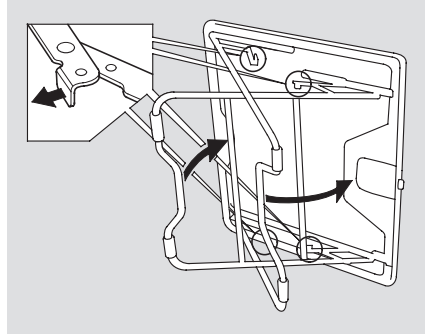
To remove the table, pull up the carpet. Lift and pull on the handle to slide the table out.

CONTINUED

Interior Convenience Items



Unfold the legs. Lock them in place by pushing on the middle of the locking arms. Make sure all four are locked.



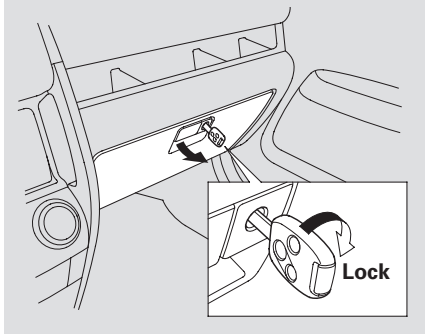
To fold the legs, pull on the middle of each locking arm.

To put the table back in place, hold onto the handle and put the projection on the table into the hole in the cargo area floor.

Using the Built-in Table

- Be sure to lock the legs of the table.
- Do not sit or stand on the table.
- Do not put a weight of over 44 lbs (20 kg) on the table.
- Hot items such as pots, pans, or kettles should not be placed directly on the tabletop.

Glove Box



Open the glove box by pulling the bottom of the handle. Close it with a firm push. Lock or unlock the glove box with the master key.

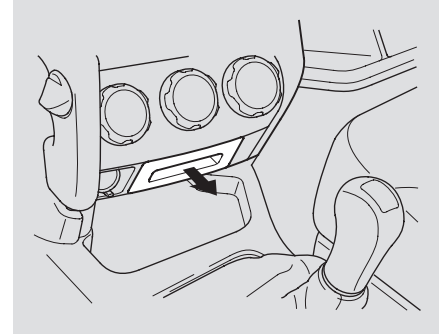
The glove box light comes on only when the parking lights are on.

▲ WARNING

An open glove box can cause serious injury to your passenger in a crash, even if the passenger is wearing the seat belt.

Always keep the glove box closed while driving.

Coin Tray

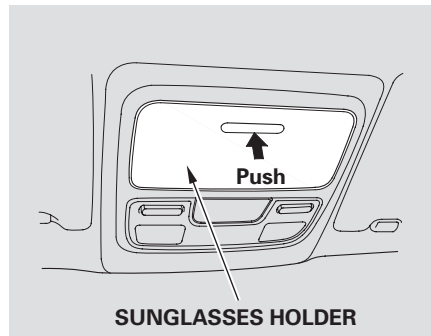


Only on models with a manual transmission

To open the coin tray, pull on the bottom edge. The light in the tray comes on when the parking lights are on.

Interior Convenience Items

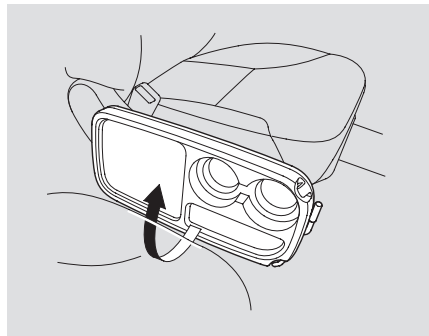
Sunglasses Holder



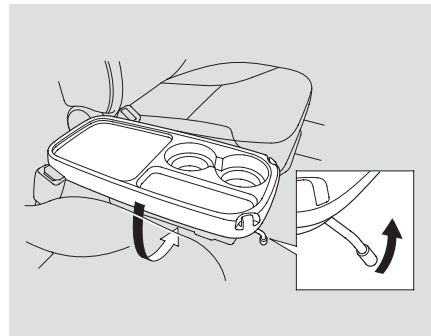
To open the sunglasses holder, push on the front edge. Make sure the holder is closed while you are driving.

Some larger styles of sunglasses may not fit in the holder.

Center Table



To use the center table, pull up the outside edge of the table until it latches. To store it, pull the lever and lower the table.



Sitting on or getting under the table, or putting heavy objects on the table, may damage or deform it.

Do not put any items on the table while driving. They may fall down or fly around when you go around corners or brake hard.

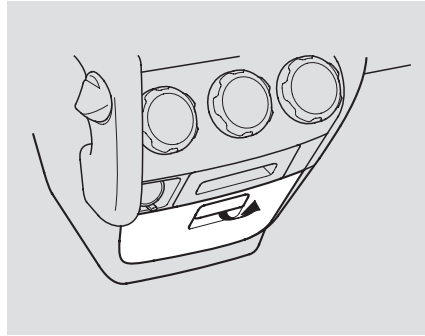
Accessory Power Sockets

These sockets are intended to supply power for 12 volt DC accessories that are rated 120 watts or less (10 amps).

To use an accessory power socket, the ignition switch must be in the ACCESSORY (I) or ON (II) position.

None of the sockets will power an automotive type cigarette lighter element. When more than one socket is being used, the combined power rating of the accessories should be 120 watts or less (10 amps).

Center Pocket



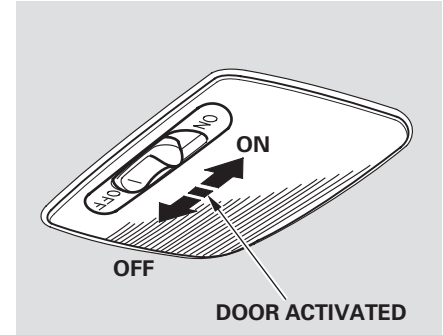
Only on models with an automatic transmission

Open the center pocket by pulling the handle.

Sun Visor

To use the sun visor, pull it down. When using the sun visor for the side window, remove the support rod from the clip, and swing it out.

Ceiling Light



The ceiling light has a three-position switch; ON, Door Activated, and OFF. In the Door Activated (center) position, the light comes on when you:

- Open any door.
- Unlock the doors and the tailgate with the key or remote transmitter.

CONTINUED

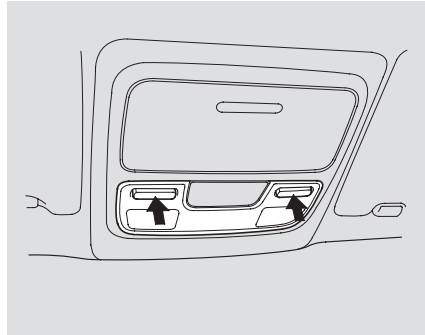
Interior Lights

After all doors are closed tightly, the light fades out in about 30 seconds.

The ceiling light (with the switch in the center position) comes on when you remove the key from the ignition switch. If you do not open a door, the light fades out in about 30 seconds.

If you leave any door or the tailgate open with the key not in the ignition switch, the ceiling light will go off after 3 minutes.

Spotlights

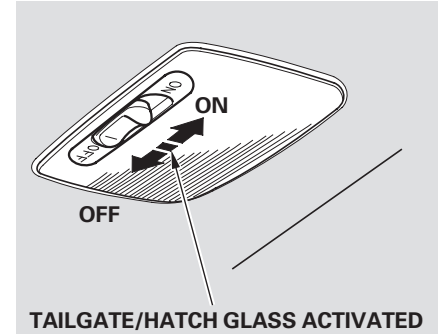


Turn on the spotlight by pushing the button. Push the button again to turn it off. You can use the spotlights at all times.

Ignition Switch Light

The ignition switch light comes on when you open the driver's door. It fades out in about 30 seconds after the door is closed.

Cargo Area Light



The cargo area light has a three-position switch. In the OFF position, the light does not come on. In the center position, the light comes on when you open the tailgate or the hatch glass. In the ON position, the light stays on continuously.