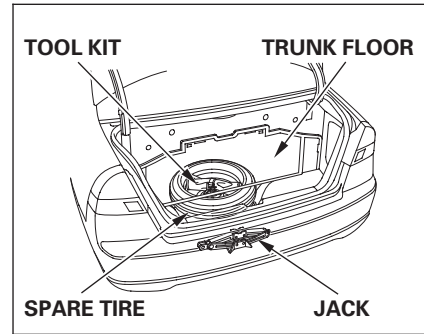


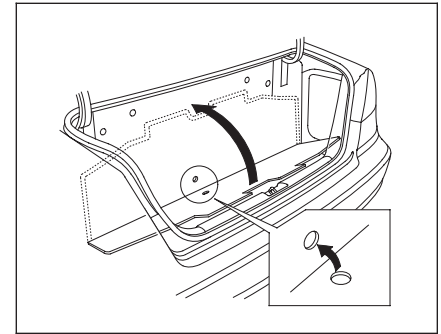
To change a flat tire, follow the instructions in the Civic Sedan owner's manual. Since your vehicle is equipped with a fuel tank in the trunk, you should install the flat tire as described in this supplement.

Removing the Spare Tire



The spare tire is stored in the trunk. To remove the spare tire and the tool kit, open the trunk, and raise the trunk floor by lifting up on the back edge.

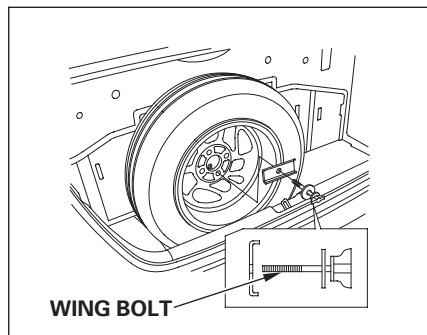
Storing the Flat Tire



1. Raise the trunk floor and the lower part of the trunk lining as shown. Align the lower hole in the trunk lining with the hole in the trunk floor.

CONTINUED

Changing a Flat Tire



2. Remove the wheel cover.
3. Place the flat tire straight up in the trunk as shown, with the outside of the wheel facing forward.

4. Remove the support plate and the wing bolt from the tool kit. Put the plate on the wing bolt. Secure the flat tire by putting the wing bolt through the hole in the center of the wheel, through the hole in the trunk lining, then screwing it into the divider.

Store the support plate and wing bolt for the spare tire in the tool kit.

You may detect a slight natural gas odor for a few moments after refueling. This is normal. You should not be able to smell natural gas at any other time. If you do, or if you hear a hissing sound, your vehicle's fuel system may have a leak.

If you smell natural gas other than when refueling, or if you hear a hissing sound, follow these directions:

1. Park your vehicle in a well-ventilated area and apply the parking brake. Keep heat, sparks, and flame away. Open all the windows and the trunk lid for ventilation.
2. Turn the ignition switch to the LOCK (0) position.
3. Turn the manual shutoff valve to the OFF position to turn off the natural gas (see **Manual Shutoff Valve** on page 13 in this supplement).

You cannot continue driving. Your vehicle should be towed to an authorized Honda Civic GX dealer (see **Emergency Towing** in the Civic Sedan owner's manual).

WARNING

Compressed natural gas is flammable and highly explosive. You could be killed or seriously injured if leaking natural gas is ignited.

If you suspect a leak, have your vehicle immediately inspected and repaired by an authorized Honda Civic GX dealer.

Jump Starting

Do not jump start your vehicle if you suspect a natural gas leak. If you smell natural gas or hear a hissing sound, the fuel system may have a leak that needs to be repaired by an authorized technician.

If you suspect a leak, turn the manual shutoff valve to the OFF position and have your vehicle towed to an authorized Honda Civic GX dealer (see **Emergency Towing** in the Civic Sedan owner's manual).

If the fuel system is not leaking or damaged, you can jump start the vehicle. Refer to the Civic Sedan owner's manual for the jump starting procedure.