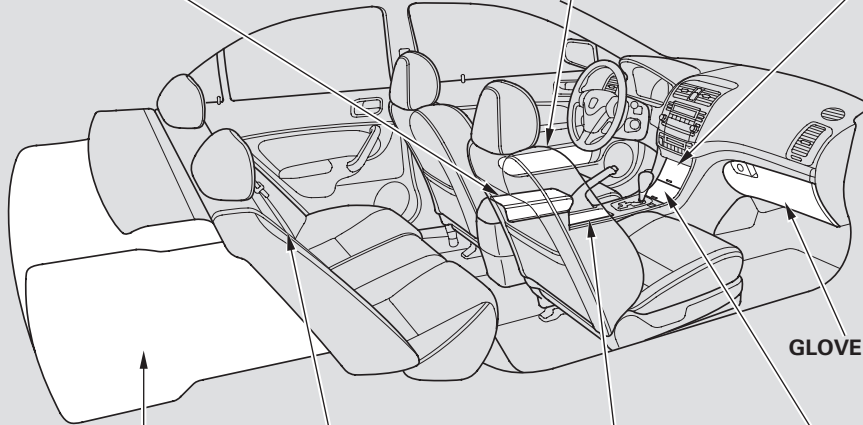


Interior Convenience Items

CONSOLE COMPARTMENT/
ACCESSORY POWER SOCKET

FRONT DOOR POCKET/BEVERAGE HOLDER

CENTER POCKET



TRUNK

CENTER ARMREST/
BEVERAGE HOLDERS

BEVERAGE HOLDERS

GLOVE BOX

UTILITY POCKET/
ACCESSORY POWER SOCKET

CONTINUED

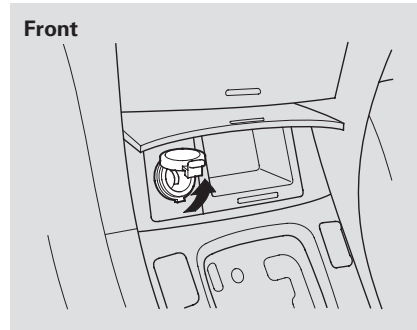
Interior Convenience Items

Beverage Holders

Be careful when you are using the beverage holders. A spilled liquid that is very hot can scald you or your passengers. Liquid can also spill from the door pocket beverage holders when you close the doors. Use only resealable containers in the door pockets.

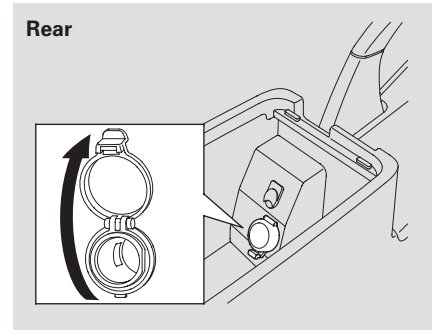
Spilled liquids can damage the upholstery, carpeting, and electrical components in the interior.

Accessory Power Sockets



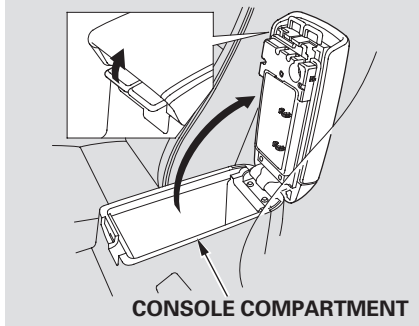
To use the accessory power socket, pull up the cover. The ignition switch must be in the ACCESSORY (I) or ON (II) position.

These sockets are intended to supply power for 12 volt DC accessories that are rated 120 watts or less (10 amps).



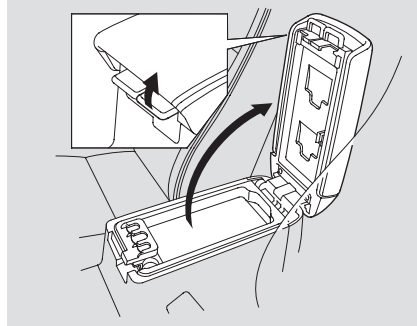
None of the sockets will power an automotive type cigarette lighter element. When more than one socket is being used, the combined power rating of the accessories should be 120 watts or less (10 amps).

Console Compartment



To open the console compartment, pull up on the right lever and lift the armrest.

To close, lower the armrest, and push it down until it latches.

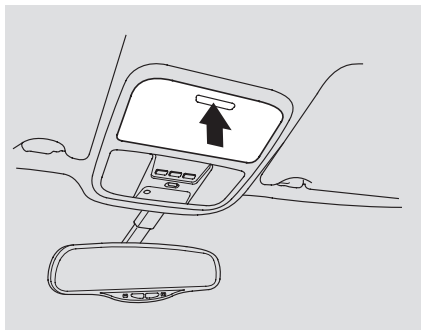


You can put small items in the tray located in the console compartment lid. To use the tray, pull up on the left lever and lift up the armrest.

The tray in the console compartment has a coin holder.

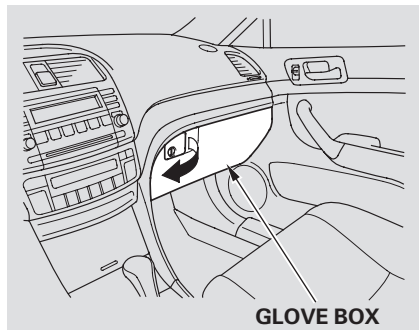
Interior Convenience Items

Sunglasses Holder



To open the sunglasses holder, push on the front edge. Make sure the holder is closed while you are driving.

Glove Box



Open the glove box by pulling the handle to the left. Close it with a firm push. Lock or unlock the glove box with the master key.

The glove box light comes on when the parking lights are on.

WARNING

An open glove box can cause serious injury to your passenger in a crash, even if the passenger is wearing the seat belt.

Always keep the glove box closed while driving.