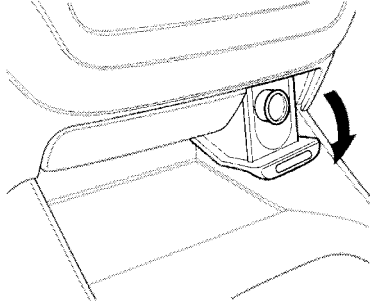
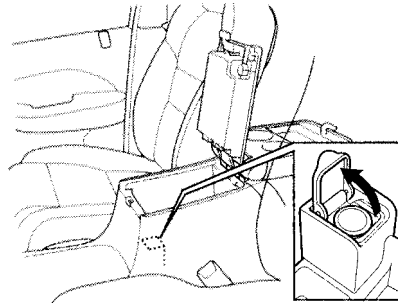


Accessory Power Sockets

FRONT



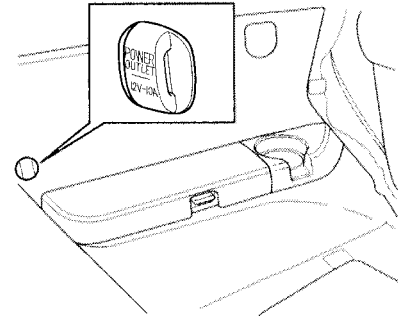
Your vehicle has three accessory power sockets. The front accessory power socket is located under the audio system. The second socket is located in the center console compartment. The rear socket is behind the third seat on the driver's side.



To use the socket in the console compartment, pull the cover up.

To use an accessory power socket, the ignition switch must be in ACCESSORY (I) or ON (II).

These sockets are intended to supply power for 12 volt DC accessories that are rated 120 watts or less (10 amps).



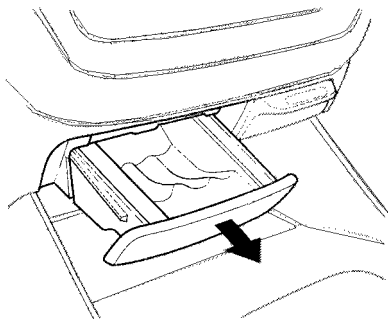
When both the front and console sockets are being used, the combined power rating of both accessories should be 120 watts or less (10 amps).

The rear socket has a maximum power rating of 120 watts (10 amps.)

All three positions will not power an automotive type cigarette lighter element.

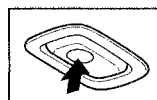
Coin Box, Coat Hook

Coin Box

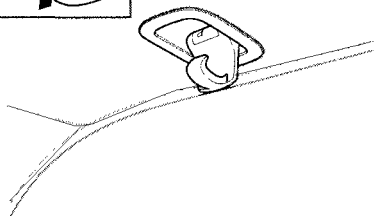


The coin box is located under the audio system. To open the coin box, pull the bottom edge. Close it with a firm push.

Coat Hook



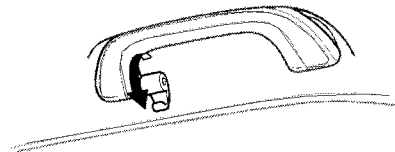
CARGO AREA



To use a coat hook, push on the lid. Close it with a firm push.

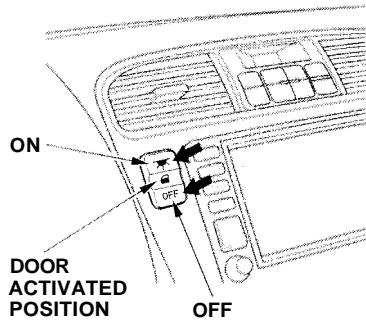
Make sure the coat hook is closed when you are not using it. This hook is not designed for large or heavy items.

SECOND ROW



To use this coat hook, rotate the hook down. Close it with a firm push.

Light Control Switch



The light control switch controls the interior lights: the individual map lights by the sun visors, the individual map lights above the second row passengers, and the cargo area light. This switch has three positions: OFF, Door Activated, and ON.

When this switch is in the OFF position:

- None of the lights come on when a door or the tailgate is opened.
- The individual map lights in the front can be turned on and off with the switches next to the lights.
- The individual map lights in the second row cannot be turned on.
- The cargo area light (3rd row) cannot be turned on.

When the switch is in the Door Activated position:

- The individual map lights in the front come on when any door or the tailgate is opened. When the doors and the tailgate are closed, each light can be turned on and off with the switch next to the light.
- The individual map lights in the second row come on when any door or the tailgate is opened. When the doors and the tailgate are closed, each light can be turned on and off with the switch next to the light.

CONTINUED

Interior Lights

- The cargo area (3rd row) light comes on when any door or the tailgate is opened if the switch in the light is in the door activated (center) position. When the doors and the tailgate are closed, it can be turned on with the switch in the light.

When the switch is in the ON position:

- All the individual map lights come on and stay on as long as the switch remains in the ON position.
- The cargo (3rd row) area light comes on and stays on if the switch in the light is in the door activated (center) position.

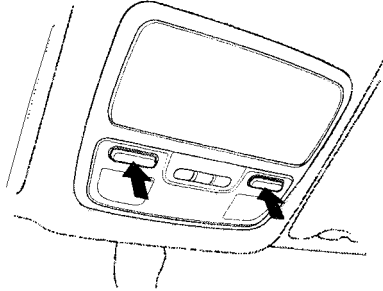
The lights go out about six seconds after all the doors and the tailgate are closed.

With the light control switch in the Door Activated position, all the individual map lights and the cargo area light (with the switch in the center position) come on when you unlock the door with the remote transmitter (see page [123](#)).

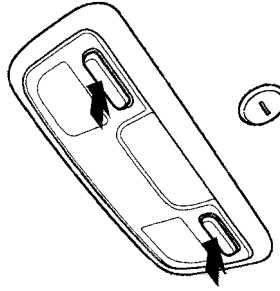
With any door or the tailgate left open, the lights stay on about three minutes, then go out.

Individual Map Lights

FRONT

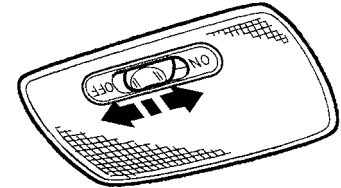


SECOND ROW



Turn on the front and second row individual map lights by pushing the button next to each light. Push the button again to turn it off. You can also operate these lights with the light control switch (see page [123](#)).

Cargo Area Light



The cargo area light has a three-position switch. In the OFF position, the light does not come on. In the center position, it comes on when you open the tailgate or doors. In the ON position, it stays on continuously.

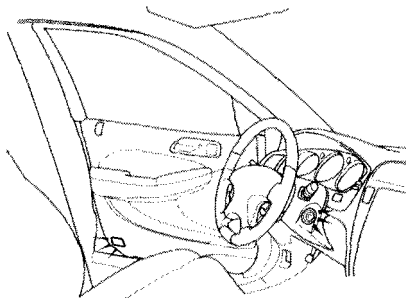
This light also works with the light control switch (see page [123](#)).

Interior Lights

Tailgate Light

The light in the tailgate has an on-off switch to control if the light comes on when the tailgate is opened.

Ignition Switch Light



The ignition switch light comes on when you open the driver's door, and stays on several seconds after you close the door.